

Screw Conveyor Package

High performance, complete drive solution



Screw Conveyor Package

NORD'S screw conveyor package offers a compact, cost effective alternative to traditional screw conveyor drives. Closely stepped speed ratios combined with a directly coupled gearmotor or NEMA C-face input design eliminates the need for top motor mounts, pulleys, belts, or guards - minimizing parts for easier system maintenance, increased reliability, and superior drive performance.

SCP product features

- ✓ UNICASE™ housing, all bearing points and sealing surfaces are machined in a single operation
- ✓ No separating joints in the housing, no sealing surfaces subject to torque
- ✓ QUADRILIP™ sealing system assures lubricating oil stays inside the gearbox while contaminants, such as dirt and moisture, stay out
- ✓ QUADRILIP™ sealing features three seal lips, a grease-filled chamber, and garter springs to ensure secure sealing at shaft surfaces
- ✓ AUTOVENT™ breather controls pressure inside gearbox during operation by regulating airflow and protecting bearings by blocking entry of foreign material

Optimized sealing system

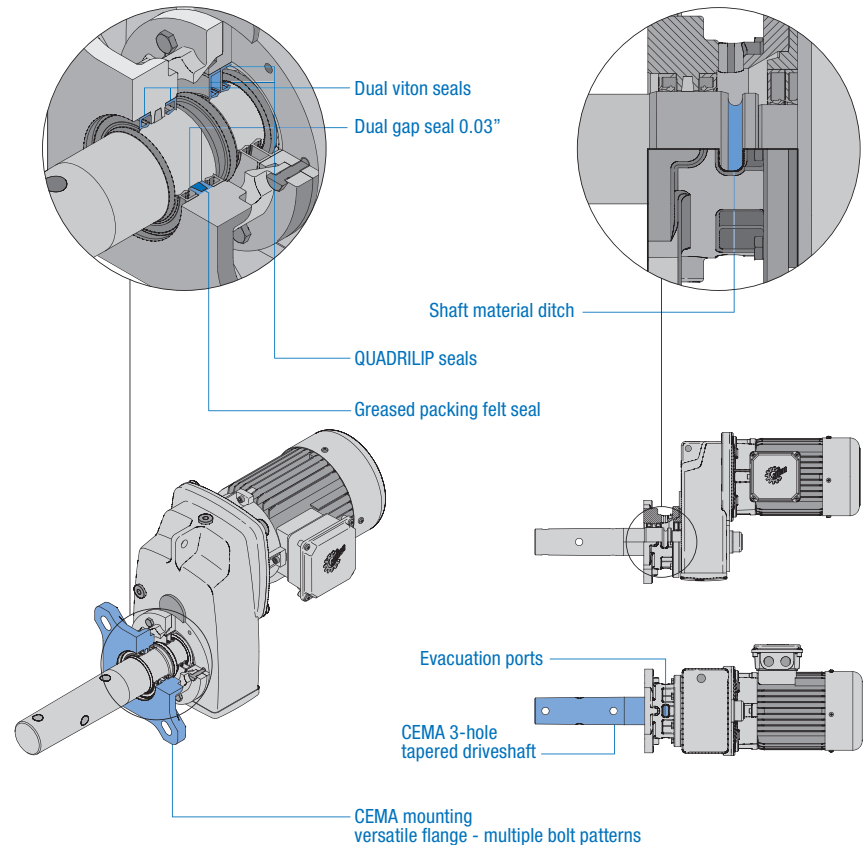
- ▶ Dual Viton lip seals
- ▶ Grease impregnated packing seal
- ▶ Dual gap seals (excludes particles) - 0.03" gap
- ▶ Material evacuation ports
- ▶ Shaft material ditch
- ▶ QUADRILIP™ sealing

Flange

- ▶ Standard CEMA mounting
- ▶ Versatile flange - multiple bolt patterns
- ▶ High strength class 35 gray cast iron

Mounting

- ▶ Standard CEMA mounting
- ▶ Versatile flange - multiple bolt patterns
- ▶ 3-hole tapered CEMA drive shaft - easy mounting and removal
- ▶ Reduced bearing loads - tapered shaft allows for screw pipe misalignment
- ▶ Quick external removal feature



The screw conveyor package is available for both CLINCHER™ parallel shaft gear units and right-angle helical bevel gear units. The CEMA flange and shaft assembly are a unique NORD design to offer superior protection against unwanted debris.

Parallel helical CLINCHER ratings

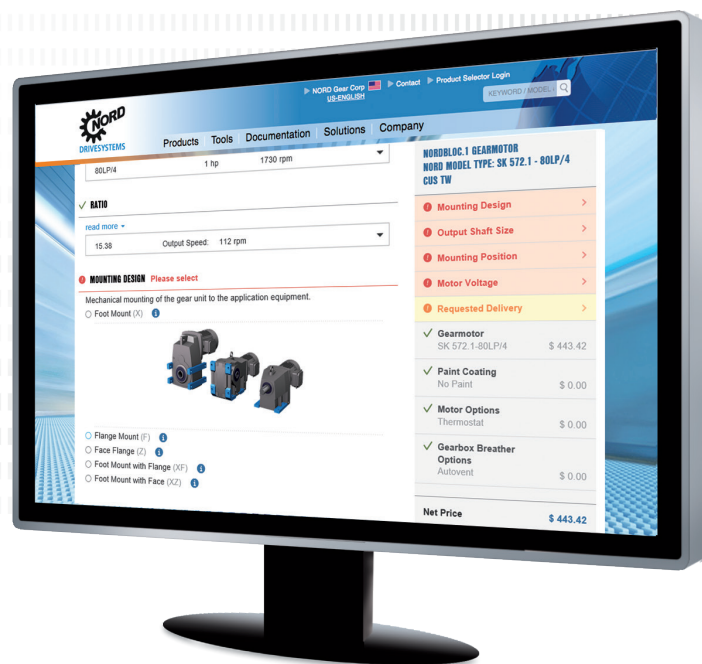
Model type	Max torque (lb-in)	Ratio range (x:1)	Speed range (rpm)	Gear stages	Eff. (%)	CEMA drive shaft				
						1-1/2"	2"	2-7/16"	3"	3-7/16"
SK1282 SCP	2620	4.79 - 109.5	365 - 16	2	97	✓	✓	✓		
SK1382 SCP	2425	87.94 - 624.45	20 - 2.8	3	95	✓	✓	✓		
SK2282 SCP	4611	4.51 - 127.51	388 - 14	2	97	✓	✓	✓		
SK2382 SCP	4894	82.22 - 763.41	21 - 2.3	3	95	✓	✓	✓		
SK3282 SCP	8363	4.48 - 112.23	391 - 16	2	97	✓	✓	✓	✓	
SK3382 SCP	9195	89.60 - 1022.42	20 - 1.7	3	95	✓	✓	✓	✓	
SK4282 SCP	16089	4.7 - 155.4	372 - 11	2	97		✓	✓	✓	
SK4382 SCP	18381	86.83 - 1585.08	20 - 1.1	3	95		✓	✓	✓	
SK5282 SCP	28630	4.32 - 134.03	405 - 13	2	97		✓	✓	✓	✓
SK5382 SCP	28320	82.72 - 1367.08	21 - 1.3	3	95		✓	✓	✓	✓
SK6282 SCP	40152	4.39 - 80.33	399 - 22	2	97				✓	✓
SK6382 SCP	53100	24.42 - 551.58	72 - 3.2	3	95				✓	✓

Right-angle helical bevel ratings

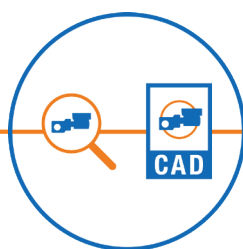
Model type	Max torque (lb-in)	Ratio range (x:1)	Speed range (rpm)	Gear stages	Eff. (%)	CEMA drive shaft				
						1-1/2"	2"	2-7/16"	3"	3-7/16"
SK9012.1 SCP	3540	8.09 - 332.37	216 - 5.3	3	95	✓	✓	✓		
SK9013.1 SCP	3540	141.29 - 1690.1	12 - 1.0	4	95	✓	✓	✓		
SK9022.1 SCP	7611	8.78 - 276.86	199 - 6.3	3	95	✓	✓	✓		
SK9023.1 SCP	7611	228.47 - 1899.26	7.7 - 0.92	4	95	✓	✓	✓		
SK9032.1 SCP	13718	8.48 - 295.85	206 - 5.9	3	95	✓	✓	✓	✓	
SK9033.1 SCP	13728	167.45 - 3635.95	10 - 0.48	4	95	✓	✓	✓	✓	
SK9042.1 SCP	24780	8.83 - 329.69	198 - 5.3	3	95		✓	✓	✓	✓
SK9043.1 SCP	24780	172.08 - 4246.38	10 - 0.41	4	95		✓	✓	✓	✓
SK9052.1 SCP	42480	8.10 - 289.61	216 - 6.0	3	95				✓	✓
SK9053.1 SCP	42480	164.99 - 3735.92	11 - 0.47	4	95				✓	✓

Ordering is Easy With myNORD Online Tools!

- ▶ Obtain drawing files direct from quote configuration
- ▶ Effortlessly select & configure customized drive solutions
- ▶ Create quotes with account-specific net pricing
- ▶ Order-specific documentation
- ▶ 24/7/365 order tracking
- ▶ Select and order spare parts



Register now at myNORD.com!



US

NORD Gear Corporation
 Waunakee, WI
 800 NORD Drive
 Waunakee, WI 53597
 Tel. 888.314.6673
 info.us@nord.com
 www.nord.com

Corona, CA
 1180 Railroad St.
 Corona, CA 92882
 Tel. 888.314.6673
 info.us@nord.com

Charlotte, NC
 300E Forsyth Hall Dr.
 Charlotte, NC 28273
 Tel. 888.314.6673
 info.us@nord.com

CA

NORD Gear Limited
 Brampton, ON
 41 West Drive
 Brampton, ON L6T4A1
 Tel. 800.668.4378
 info.ca@nord.com

MX

NORD DRIVE SYSTEMS SA DE CV
 Queretaro, Mexico
 Av. Industria Textil B.6
 Parque Industrial PYME, Huimilpan
 QRO - Mexico 76950
 Tel. 52 442 688 7110
 info.mx@nord.com