

Constant Speed Drives

G1000 50 Hz Metric

Safe, reliable, and efficient



DRIVESYSTEMS

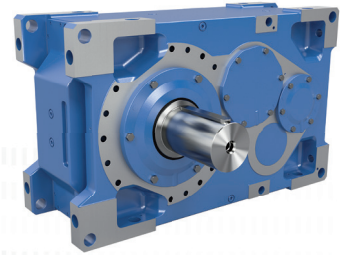
Our Solution. Your Success.

Complete Drive Solutions From a Single Source



NORD Delivers

NORD offers first-class customer service and support along with full-featured drive solutions that can tackle the toughest requirements. All components are carefully selected and precisely configured to meet your exact specifications. In the rare case that standard components won't meet your needs, our in-house engineering team will work with you to design custom components or a complete customized system.



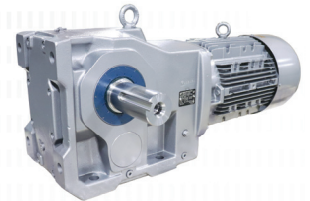
Reduce Lead Times and Decrease Inventory

- ▶ Fastest lead times in the industry with NO expedite fees
- ▶ Over 20,000,000 standard configurations to reduce or eliminate the need for custom components
- ▶ Modular drives, motors, and electronic controls minimize inventory of replacement units and parts



Global Product Designs, Standards, and Support

- ▶ Innovative, industry-standard products to support a wide range of applications
- ▶ Global sales and support network
- ▶ Dedicated mechanical and electrical application engineers ready to assist you
- ▶ Online resources available to you any time
- ▶ 24/7/365 emergency breakdown service



Increase Efficiency and Reduce Operation Costs

- ▶ myNORD online tools for fast selection, configuration, ordering, and tracking of your drive units
- ▶ Drive systems that are perfectly matched to your application for optimum performance and energy efficiency
- ▶ Program personalization, such as weekly shipment schedules and custom nameplates
- ▶ Partner with a company that is easy to do business with and wants to see you succeed!



INTRODUCTION	A5	(5)
NOMENCLATURE	A8	(8)
DESCRIPTION OF GEAR UNITS	A10	(10)
DESIGNS & OPTIONS	A20	(20)
Lubrication	A30	(30)
Input Adapters	A45	(45)
Surface Protection	A48	(48)
GEAR UNIT SELECTION	A49	(49)
Input Power and Service Factor	A50	(50)
Radial and Axial Forces	A54	(54)
STANDARDS AND REGULATIONS	A56	(56)
Standard Solid Shaft Dimensions	A56	(56)
Standard Hollow Shaft Dimensions	A58	(58)
Shaft Tolerances	A60	(60)
Table Abbreviations	A63	(63)
Direction of Rotation	A64	(64)
Terminal Boxes and Cable Glands	A66	(66)
Installation Positions	A68	(68)
ENGINEERING INFORMATION	A70	(70)
Screw Conveyor Package	A70	(70)
Shrink Disc & GRIPMAXX™	A77	(77)
Fixing Element Kit	A88	(88)
NORDBLOC.1® HELICAL INLINE GEAR UNITS	B1	(93)
Inquiry Form	B2	(94)
Available Versions	B3	(95)
Gear Unit Motor Data	B4	(96)
Dimensions	B79	(171)
Options	B122	(214)

Contents

UNICASE™ HELICAL INLINE GEAR UNITS.	C1	(225)
Inquiry Form.	C2	(226)
Available Versions.	C3	(227)
Gear Unit Motor Data	C4	(228)
Dimensions	C76	(300)
Options	C118	(342)
UNICASE™ PARALLEL SHAFT GEAR UNITS	D1	(343)
Inquiry Form.	D2	(344)
Available Versions.	D3	(345)
Gear Unit Motor Data	D4	(346)
Dimensions	D86	(428)
Options	D132	(474)
HELICAL BEVEL GEAR UNITS.	E1	(489)
Inquiry Form.	E2	(490)
Available Versions.	E3	(491)
Gear Unit Motor Data	E4	(492)
Dimensions	E76	(564)
Options	E154	(642)
UNICASE™ WORM GEAR UNITS.	F1	(653)
Inquiry Form.	F2	(654)
Available Versions.	F3	(655)
Gear Unit Motor Data	F4	(656)
Dimensions	F42	(694)
Options	F70	(722)
UNIVERSAL SI AND SMI WORM GEAR UNITS.	G1	(725)
Available Versions.	G3	(727)
Gear Unit Motor Data	G4	(728)
Dimensions	G22	(746)

NORD gear units were developed according to the tried-and-tested UNICASE™ principle. This applies to all versions, including foot, flange, and shaft mounted gear units.

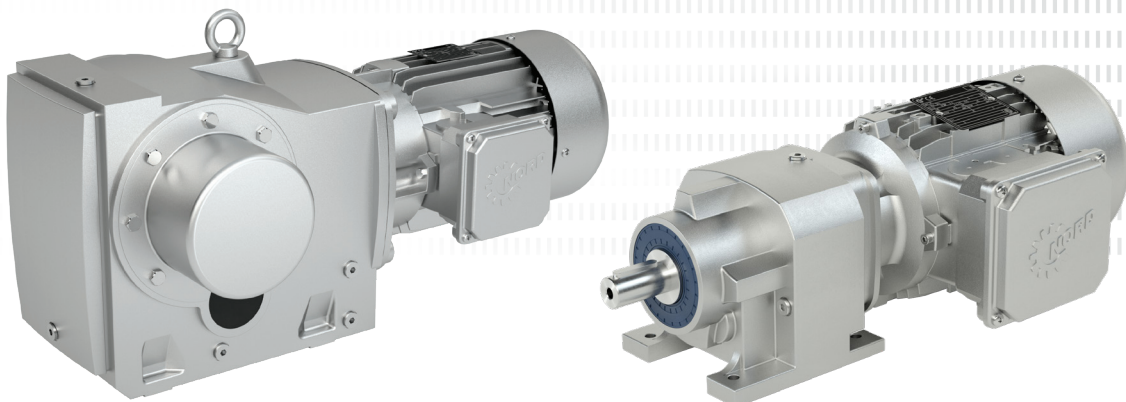
“UNICASE” describes a single housing block, according to ISO 6336 and DIN 743, into which all bearing mounts are integrated. The housing is machined in a single setup on state-of-the-art CNC machines for precision, rigidity, and strength. There is no joint between the output side and the gear unit housing, eliminating the effect that torque and radial forces have on traditional two piece housings. All NORD housings are made of rugged cast iron or lightweight cast aluminum alloy and limited sizes of ductile cast iron housings are available on request. The pinions and gears are made of the highest quality alloyed steel, and the teeth are case-hardened (except for worm gear units).

UNICASE design

The UNICASE design also results in optimized geometries and precise shaft alignment, providing excellent load-bearing capacity, long operating life, and low noise. Gear, bearing, and shaft dimensions are calculated according to DIN 3990, DIN ISO 281, or Niemann for all powers and speeds shown in this catalog.

NORD gear unit bearings and gears run in an oil bath to provide constant lubrication and extend the life cycle. In addition to the positive locking keyed connection, the gears also have a pressed connection between the shaft and hub. Normally, shaft seals made of NBR material are used; however, shaft seals made of FKM (Viton) are available as an option. All NORD gear units are manufactured to provide the very highest levels of safety and reliability.

Extended service life



Introduction

Corporate Social Responsibility (CSR)

We act with integrity and responsibility for the environment. As a company which is aware of its responsibilities, we economize our use of resources and act in an environmentally friendly manner. With energy-efficient drive systems, we support the industry in reducing CO2 emissions.

Principles of responsibility influence our business actions

As a globally active company, we assume our responsibility locally on site and in our business areas worldwide. We and our employees want to improve continuously, whether in occupational safety or in optimization of procedures with our suppliers. Economic, profit-oriented development, environmental protection, and energy savings are not considered conflicting interests but rather prioritized as a common goal.



Governance & Processes

NORD's sustainability plan was introduced in 2022. Important milestones were the successful introduction of a certified environmental management system in Germany and the publication of the first sustainability report for the Bargteheide site. Our work continues as we establish an international governance and reporting structure for the entire NORD Group in 48 subsidiaries.



People

There is a need to develop comprehensive concepts and approaches to ensure NORD's attractiveness as an employer worldwide. This includes analysis of the current labor market and adjusting our recruitment process to hire and retain seasoned specialists and young talent.



Environment

As a mechanical engineering company, NORD has a significant influence on global resource consumption and greenhouse gas emissions. Our goal is to coordinate structured measures and document the details outlining our environmental commitment in a legally secure manner that applies to our international business. The topics energy and climate are included in the environmental field of action.



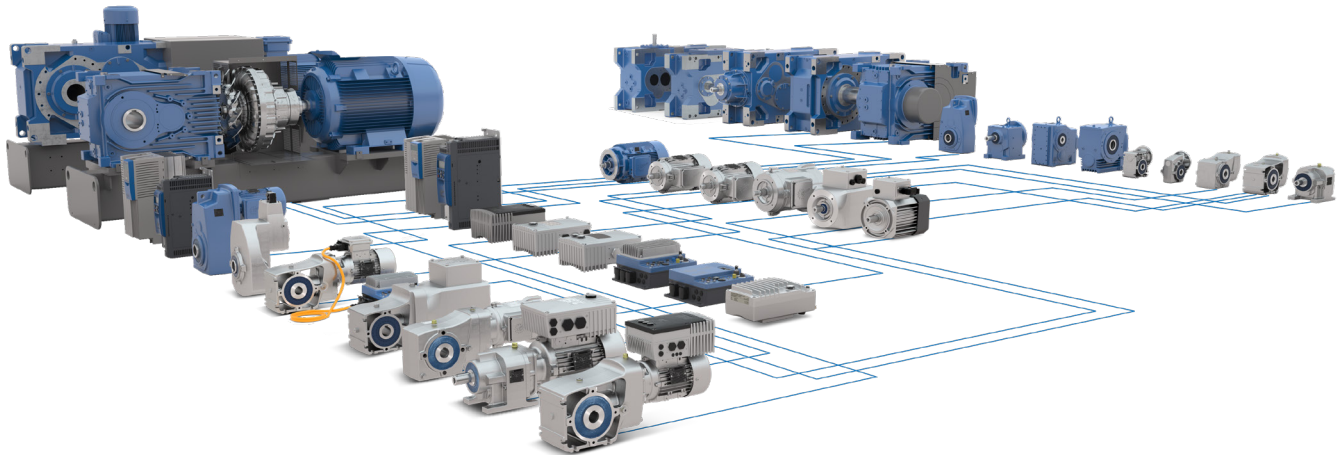
Products

As a manufacturing company, our products are always at the heart of our sustainability efforts with great strategic importance. The design, life cycle, and application fields of our products have an impact on the issues of material efficiency, human rights, and greenhouse gas emissions. Consequently, there are overlaps with the following fields of action: humans, environment, and supply chain.



Supply Chain

A structured approach to transparent, low-risk supply chain management is required for responding to the increasing pressure from legislators and customers to reduce the complex social, ecological, and economic risks in the supply chain.



- ▶ Developing and manufacturing a wide range of automation products and technology for over 50 years
- ▶ Global headquarters and technology center in Bargteheide near Hamburg
- ▶ Innovative drive solutions for more than 100 industries
- ▶ 7 production locations with cutting edge technology produce gear units, motors, and drive electronics for complete drive systems from a single source
- ▶ NORD has 48 subsidiaries in 36 countries and further sales partners in more than 50 countries, providing local stock, assembly centers, technical support, and customer service
- ▶ More than 4,700 employees throughout the world create customized solutions



Headquarters in Bargteheide



Gear unit production



Inverter production



Motor production



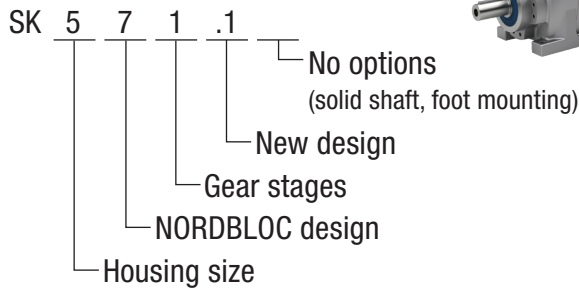
Production and assembly



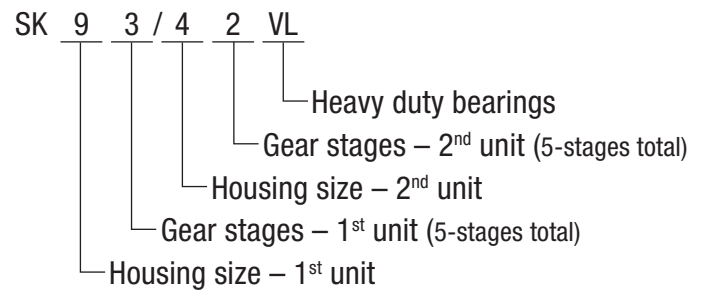
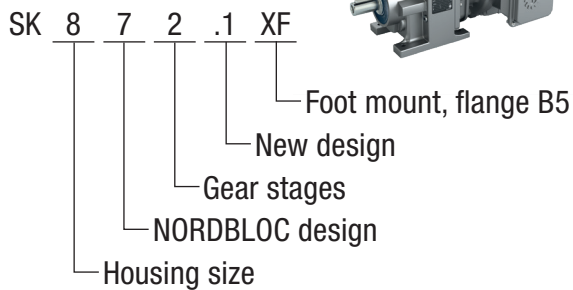
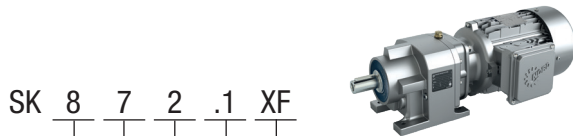
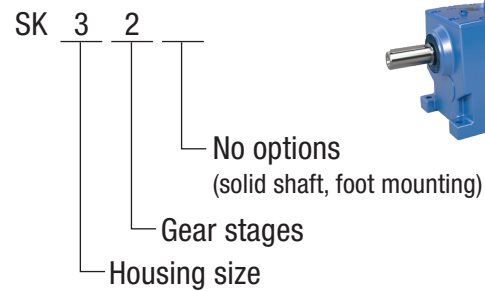
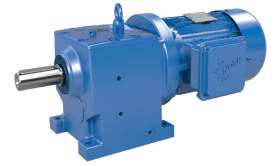
Motor assembly

Nomenclature

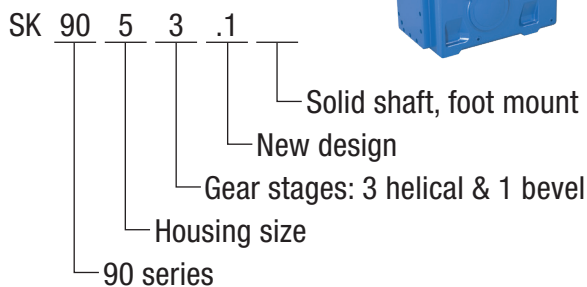
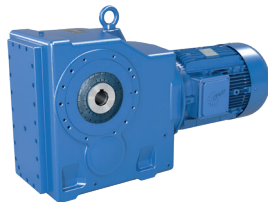
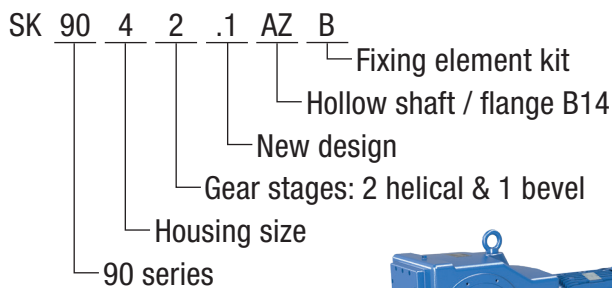
NORDBLOC.1® Helical Inline Gear Units



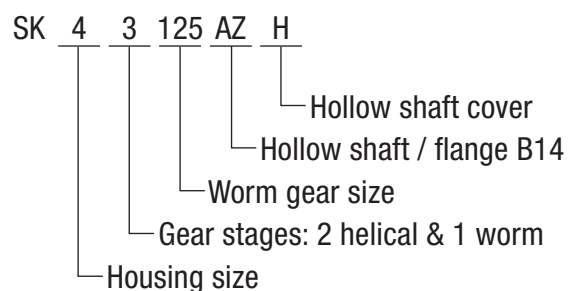
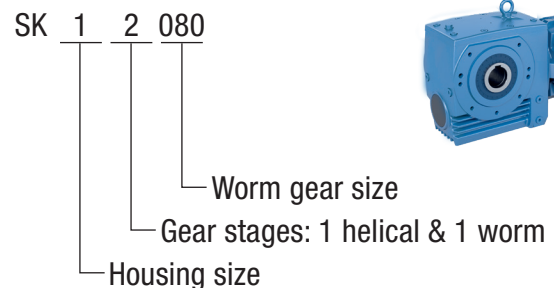
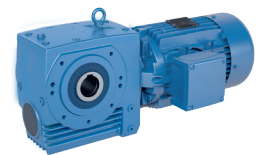
UNICASE™ Helical Inline Gear Units



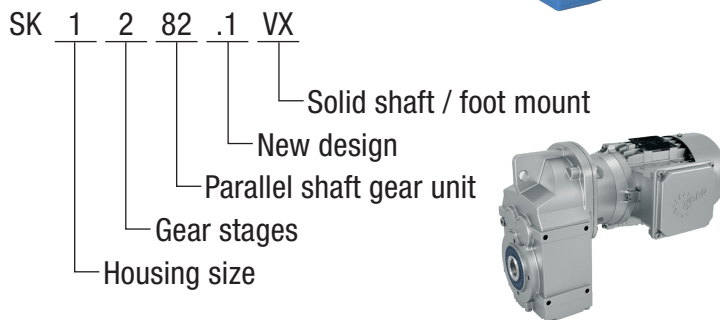
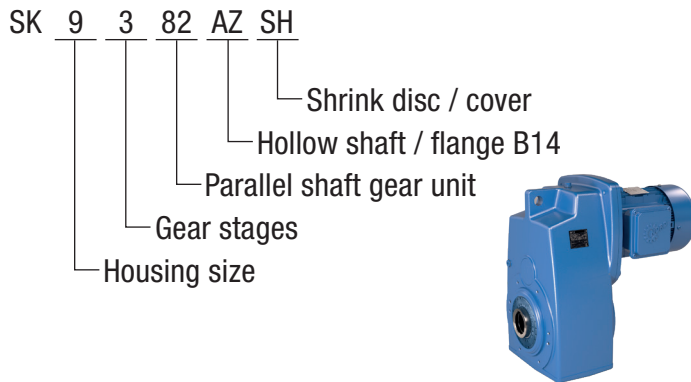
UNICASE™ Helical Bevel Gear Units



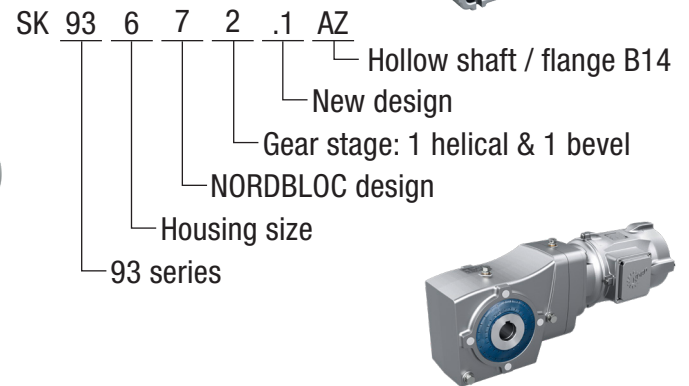
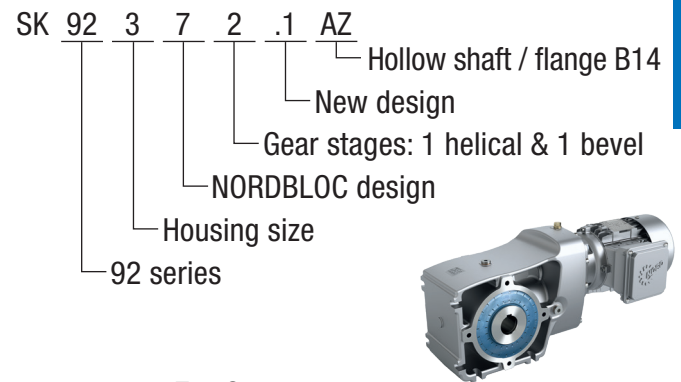
UNICASE™ Worm Gear Units



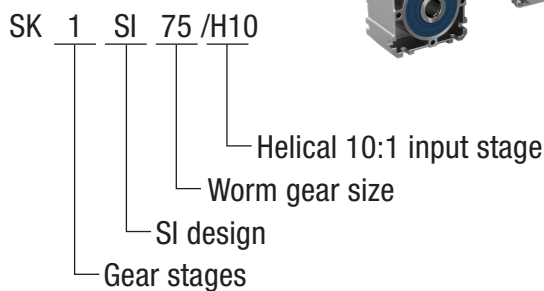
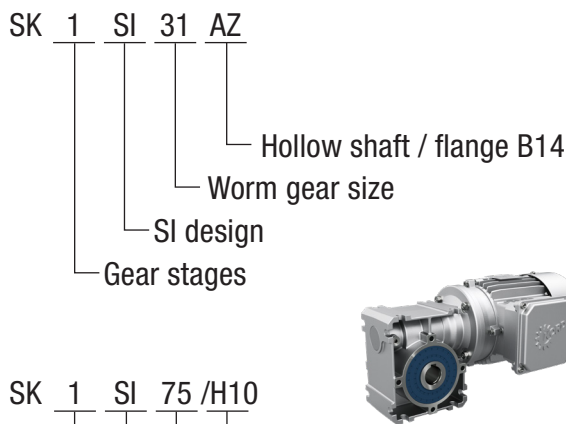
UNICASE™ Parallel Shaft Gear Units



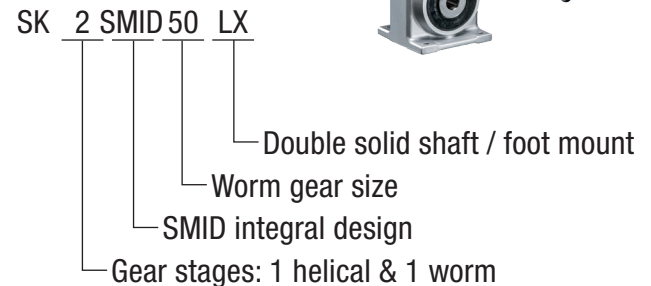
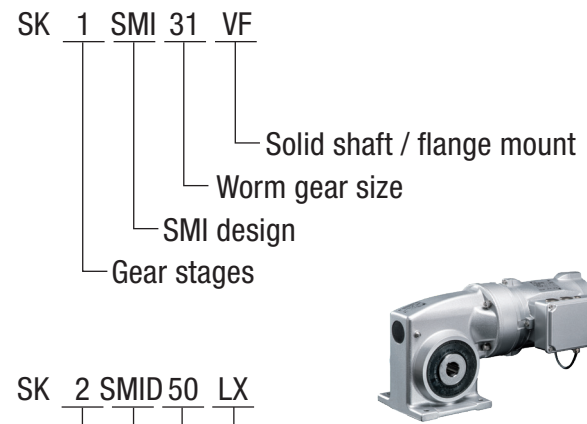
NORDBLOC.1® Helical Bevel Gear Units



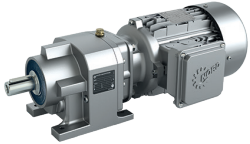
UNIVERSAL SI Worm Gear Units



UNIVERSAL SMI Worm Gear Units



Description of Gear Units



NORDBLOC.1® Helical Inline Gear Units

Case Sizes: 16

Gear Unit	Stages	Housing Design	Housing Material
SK 071.1 – SK 771.1	1	Standard housing	Aluminum
SK 871.1 – SK 1071.1	1	Standard housing	Cast iron
SK 072.1 – SK 172.1	2	Standard housing	Aluminum
SK 372.1 – SK 673.1	2 and 3	Standard housing	Aluminum
SK 772.1 – SK 973.1	2 and 3	Standard housing	Cast iron

The NORDBLOC.1 design features strong bearings, enabling higher permissible radial and axial forces and a longer service life. Gear motors that utilize the helical inline design can be implemented with direct motor attachment.

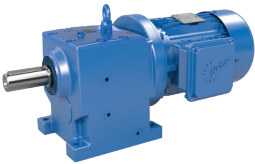
The aluminum housing is lightweight and its smooth surfaces have inherent corrosion protection even without paint, although paint is offered as an option.

Special gear unit versions

Gear Unit	Information
SK 372.1, SK 373.1	Gear unit sizes SK 372.1 and 373.1 are available with a 120 mm drive flange B5. Output shaft is 28 mm longer. Permissible radial forces are reduced by 30%.
SK 572.1, SK 573.1	Gear unit sizes SK 572.1 and 573.1 are available with a 30x60 mm output shaft or a 35x70 mm output shaft with a 140 mm or 160 mm drive flange B5. Output shaft is 33 mm longer. Permissible radial force is reduced by 30% for a 30x60 mm shaft. Permissible radial forces stated in the power and gear ratio tables are listed for both dimensions (smaller value for 30x60 mm shaft).

UNICASE™ Helical Inline Gear Units

Case Sizes: 11



Gear Unit	Stages	Housing Design	Housing Material
SK 02 – SK 102	2	Standard housing	Cast iron
SK 03 – SK 53	3	Standard housing plus add-on housing	Cast iron
SK 63 – SK 103	3	Standard housing	Cast iron

UNICASE Helical Inline Gear Units have solid shafts and are available in both foot and flange mounted versions. For flange mounted units, the flange is cast on with no screw connections between the flange and the housing. Double gear units with 4, 5, and 6 stages are available for high gear ratios.

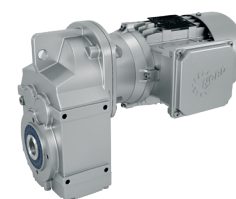
UNICASE™ Parallel Shaft Gear Units

Case Sizes: 15

Gear Unit	Stages	Housing Design	Housing Material
SK 0182.1			
i: 4.85 – 16.24	2	Standard housing	Aluminum
i: 19.83 – 153.54	3	Standard housing	Aluminum
SK 0282.1			
i: 4.79 – 18.24	2	Standard housing	Aluminum
i: 18.96 – 247.02	3	Standard housing	Aluminum
SK 1282.1, SK 1382.1	2 and 3	Standard housing Optional housing	Aluminum Cast iron
SK 1282 – SK 5282	2	Standard housing	Cast iron
SK 2382 – SK 5382	3	Standard housing plus add-on housing	Cast iron
SK 6282 – SK 9382	2 and 3	Standard housing	Cast iron
SK 10382.1, SK 11382.1	3	Standard housing	Cast iron



Cast iron parallel shaft gear units



Aluminum parallel shaft gear units

The axle offset for parallel shaft gear units results in a more compact design when compared to helical gear units. In shaft mount versions with a continuous hollow shaft, the gear unit can be mounted directly onto the drive shaft of the machine.

NORD motors can be attached to these units directly without a coupling. IEC and NEMA adapters are also available or a free input shaft can be attached.

Parallel shaft gear units SK 0182.1 – SK 1382.1 feature a standard die-cast aluminum housing. These aluminum housings are lightweight, cost-effective, and dissipate heat efficiently.

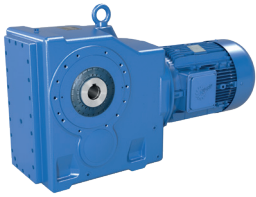
[Aluminum housing](#)

Parallel shaft gear units SK 1282.1 and above feature cast iron, single piece UNICASE housings with smooth surfaces, making them extremely robust. As a standard, the housings have a cast torque support and an output-side flange B14. Machined foot surfaces with threaded attachment holes, screw-on flange B5, and mounting feet are available.

[Cast iron housing](#)

At the output side, solid shafts, hollow shafts with keys, hollow shafts with shrink disks, and splined hollow shafts are provided as standard.

Description of Gear Units



90.1 UNICASE helical bevel gear units

UNICASE™ Helical Bevel Gear Units

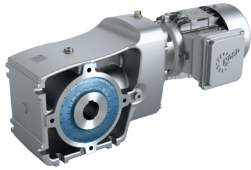
Case Sizes: 11

Gear Unit	Stages	Housing Design	Housing Material
SK 9012.1 – SK 9096.1	3 and 4	Standard housing	Cast iron

UNICASE Helical Bevel Gear Units are angular gear units where the motor shaft and output shaft form a 90° angle, providing flexible installation options where a compact footprint is required. These gear units are built with robust, cast iron housings that require low maintenance, deliver long service life, and provide high axial and radial load capacities. Helical bevel gear units also offer a variety of shaft and mounting options and are available with an integrated backstop.

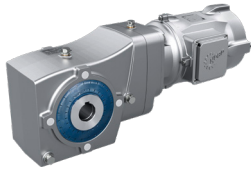
NORDBLOC.1® Helical Bevel Gear Units

Case Sizes: 6



92.1 NORDBLOC.1 helical bevel gear units

Gear Unit	Stages	Housing Design	Housing Material
SK 920072.1 – SK 92772.1	2	Standard housing	Aluminum
SK 930072.1 – SK 93772.1	2	Standard housing	Aluminum



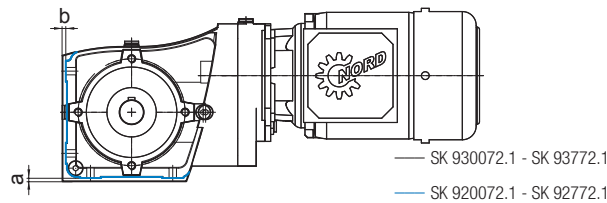
93.1 NORDBLOC.1 helical bevel gear units

NORDBLOC.1 Helical Bevel Gear Units are built to optimize system performance and efficiency. NORD's manufacturing precision also ensures an accurate alignment of all bearing seats, internal shafts, and gears for a long, reliable operation.

NORD additionally offers helical bevel gear units SK 930072.1 – SK 93772.1 with closed housings that are suitable for use in the Food & Beverage industry due to their hygienic smooth surfaces. The power data for the gear unit series SK 930072.1 – SK 93772.1 are identical to those for the SK 920072.1 – SK 92772.1 gear unit series, so this catalog only contains selection lists for the SK 920072.1 – SK 92772.1 series.

Mounts and housings

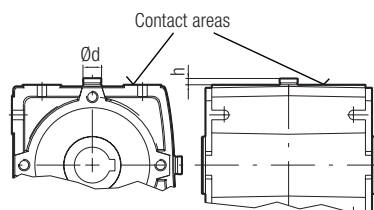
Flange mounting is standard for the helical bevel series and the mounts for both the open and closed housings are identical. The housing contours differ slightly as follows:



		SK 930072.1	SK 93072.1	SK 93172.1	SK 93372.1	SK 93672.1	SK 93772.1
a	[mm/in]	1 / 0.04	3 / 0.12	2 / 0.08	4 / 0.16	4.5 / 0.18	5 / 0.20
b	[mm/in]	2.5 / 0.10	3 / 0.12	2 / 0.08	4 / 0.16	4.5 / 0.18	5 / 0.20

Due to the structure of SK 92x72.1 gear units, the vent plug can only be mounted on the side opposite to the motor and protrudes beyond the footprint. Refer to the table below for the required clearances, $\varnothing d$ and h , for the particular gear unit size. Allowances for this protrusion should be addressed during design.

Vent plug mounting



Gear Unit	Vent plug	$\varnothing d$		h	
		[mm]	[in]	[mm]	[in]
SK 92072.1	M8 x 1.0	15	0.59	12	0.47
SK 92172.1	M10 x 1.0	17	0.67	15	0.59
SK 92372.1	M12 x 1.5	21	0.83	15	0.59
SK 92672.1	M12 x 1.5	21	0.83	15	0.59
SK 92772.1	M12 x 1.5	21	0.83	15	0.59

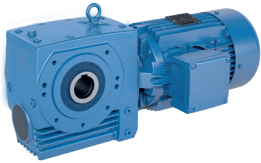
Efficiency η :

The advantage of a bevel gear unit is nearly constant efficiency over the entire gear ratio range – practically equal to that of helical and parallel shaft gear units.

NORD bevel gear units are available with multiple gear stages:

	2-Stage	3-Stage	4-Stage
Helical Gear Stage	-	-	1st stage
Helical Gear Stage	1st stage	1st stage	2nd stage
Bevel Gear Stage	2nd stage	2nd stage	3rd stage
Helical Gear Stage	-	3rd stage	4th stage

Description of Gear Units



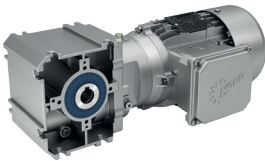
UNICASE worm gear units

UNICASE™ Worm Gear Units

Case Sizes: 6

Gear Unit	Stages	Housing Design	Housing Material
SK 02040.1	2	Standard housing	Aluminum
SK 02050 – SK 42125	2	Standard housing	Cast iron
SK 13050 – SK 43125	3	Standard housing plus add-on housing	Cast iron

UNICASE Worm Gear Units are angular gear units available in multiple stages where the motor shaft and the output shaft form a 90° angle. This allows for flexible mounting options where installation space is limited.



SK 02040.1 UNICASE worm gear units

The helical gears of UNICASE worm gear units are made of high alloy steel with case-hardened teeth. Optimized geometries and precise shaft alignment provide excellent load-bearing capacity, long operating life, and quiet operation. The worm stage has a hardened cylinder worm as well as a worm gear with a special bronze rim welded to it. This combination ensures ultimate reliability.

UNICASE worm gear units are factory lubricated with high-quality, synthetic lubricant. This lubricant prevents friction, provides a high degree of efficiency, and further increases the life of these gear units.

Made from high-strength aluminum or die-cast aluminum, these units guarantee maximum strength and rigidity in a lightweight, compact unit. Their universal mounting design offers significant customer advantages, including fast, flexible installation.

Efficiency η :

NORD UNICASE worm gear units achieve efficiencies of up to 93%. Approximate efficiency per case size and ratio is provided in the gear unit rating tables. New worm gear units need to run approximately 25 – 48 hours at full rated load to allow the teeth of the worm gear set to mesh cleanly, reduce friction, and optimize both the gear mesh contact pattern and operating efficiency.

The gear unit rating tables list the ratio of worm wheel teeth divided by the number of starts on the worm pinion (Z_2/Z_1). Single start worms offer a higher total reduction ratio and slower output speeds while multiple start worms generally provide lower reduction ratios, faster output speeds, and higher operating efficiencies.

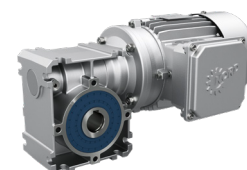
The following conditions must be met to achieve maximum efficiencies values:

- ▶ Gear unit must be fully conditioned
- ▶ Gear unit must reach steady-state operating temperature
- ▶ Gear unit must be filled with a NORD approved or specified lubricant at the quantity specified by NORD
- ▶ Gear unit must be operated at rated speed and load conditions

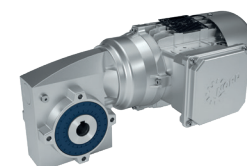
UNIVERSAL SI and SMI Worm Gear Units

Case Sizes: 10

Gear Unit	Stages	Housing Design	Housing Material
SK 1SI31 – SK 1SI75	1	Standard housing	Aluminum
SK 1SMI31 – SK 1SMI75	1	Standard housing	Aluminum
SK 1SI40/H10 – SK 1SI75/H10	2	Standard housing plus add-on housing	Aluminum
SK 1SMI40/H10 – SK 1SMI75/H10	2	Standard housing plus add-on housing	Aluminum



SI gear unit series



SMI gear unit series

The SI gear unit series is a modular family that utilizes a universal housing. The basic gear unit is supplemented with a range of easily configured components that are either supplied as assembled units by NORD or supplied loose and assembled by the customer. These standard modular components provide maximum flexibility for a wide range of applications, and due to the global availability of the individual components, are also able to be delivered very quickly. Visit shop.nord.com to order modular components.

The SMI series is characterized by a smooth surface design that makes it specially suitable for wash-down environments and applications in the Food & Beverage industry. SMI units can either be supplied with direct motor mounting without a coupling or with an IEC/NEMA motor. A differentiation is made between the foot-mounted version and the flange-mounted version.


SI and SMI gear unit series are available in case sizes 31, 40, 50, 63, and 75.

Gear Unit	IEC / NEMA input	Integral Motor
Worm gear unit	SK 1S(M)lxx	SK 1S(M)IDxx
Worm gear unit with H10 input stage	SK 1S(M)lxx/H10	
Worm gear unit with helical input stage		SK 2S(M)IDxx
Double worm gear	SK 1S(M)lxx/xx	

Nomenclature

Speed Ratios

Standard speed ratios

The worms of all worm gear units in the NORD UNIVERSAL range have a right-handed helix from which the rotation direction results. See ⇒  A64 for more information on direction of rotation.

- ▶ 5
- ▶ 7.5
- ▶ 10
- ▶ 12.5
- ▶ 15
- ▶ 20
- ▶ 25
- ▶ 30
- ▶ 40
- ▶ 50
- ▶ 60
- ▶ 80
- ▶ 100

The speed ratios of the single-stage gear units cover a wide range and are the same for all sizes.

H10 input stage

SK 1S(M)I40, SK 1S(M)I50, SK 1S(M)I63, and SK 1S(M)I75 can be extended to form a 2-stage worm gear unit by fitting them with an H10 helical gear adapter. The speed ratio of the H10 input stage is $i_{H10} = 10$.

Helical input stage

A highly compact first stage with a speed ratio of $i_{vor} = 5$ with integral motor mounting is available for SK 2S(M)I40, SK 2S(M)I50, and SK 2S(M)I63.

Double worm gear

The double worm gear adapter allows for the combination of two worm gear units. The following double worm gear units are available:

- ▶ SK 1S(M)I40/31
- ▶ SK 1S(M)I50/31
- ▶ SK 1S(M)I63/31
- ▶ SK 1S(M)I75/40

Self-locking

Self-locking NORD UNIVERSAL worm gear units disable the stationary gear unit from rotating, even with large torques at the output (worm gear shaft). When running, the drive automatically comes to rest when the motor is switched off. With a mass-acceleration factor of $m_{af} > 1$, (see the section 'Gear Unit Selection') the self-locking can result in sudden blocking of the drive or rattling vibrations in case of load reversals in thrust operation (see VDI 2158). Gear units that are not self-locking should be selected for these fields of application.

Self-locking and self-braking depends on the speed ratio in the worm stage.

Worm Ratio = 5 – 10	Worm Ratio = 12.5 – 40	Worm Ratio = 50 – 80	Worm Ratio = 100
No self-locking	No specific statement regarding self-locking	Self-locking at rest and with no vibration	Self-locking
No self-braking	No self-braking	No specific statement regarding self-braking	Self-braking at $n_1 < 1500$ r/min for: SK 1S(M)I31, SK 1(M)I40, SK 1S(M)I50

Efficiency

With new worm gear units, the efficiency is increased by running-in the worm gear meshing during the initial phase of normal operation. The output torques and powers stated in the tables take the efficiency during the run-in state into account.

The efficiency of worm gear units increases with the input speed thanks to hydrodynamic lubrication of the teeth. When starting from standstill, there is initially a lower start-up efficiency that must be considered for the motor torque if the unit is started under load. The following tables give guidelines for the starting efficiency depending on the worm gear ratio.

Ratio	SK 1S(M)I31	SK 1S(M)I40	SK 1S(M)I50	SK 1S(M)I63	SK 1S(M)I75	Start-Up
5	86	88	90	92	93	72
7.5	82	85	87	89	91	67
10	79	83	85	88	89	62
12.5	76	80	84	86	88	59
15	71	75	79	82	84	53
20	66	72	76	79	82	47
25	62	68	73	77	80	43
30	54	60	65	69	78	36
40	49	55	60	65	69	31
50	44	51	56	61	66	27
60	41	47	53	58	63	25
80	35	41	47	52	57	20
100	31	36	42	47	53	17

Efficiency η [%] at
 $n_1 = 1,500$ r/min

Ratio	SK 1S(M)I31	SK 1S(M)I40	SK 1S(M)I50	SK 1S(M)I63	SK 1S(M)I75	Start-Up
5	87	89	91	92	93	72
7.5	82	85	88	90	91	67
10	80	83	86	88	90	62
12.5	77	81	84	87	89	59
15	72	76	80	83	85	53
20	67	73	77	80	83	47
25	63	69	74	78	81	43
30	55	61	66	70	79	36
40	50	56	62	66	70	31
50	46	52	58	63	67	27
60	42	48	54	59	64	25
80	36	42	48	54	59	20
100	32	38	44	49	54	17

Efficiency η [%] at
 $n_1 = 1,800$ r/min

Notes On Gear Units and Geared Motors

Vertical mounting positions

Gear units and gear motors may be mounted in positions with vertical solid and hollow shafts. For these versions, the gear units are filled with additional lubricant to ensure gear pairings remain properly lubricated during operation. Some gearbox types are also equipped with specially sealed grease-lubricated bearings. With these versions, there are higher oil losses due to splashing which causes greater heating of the gear unit (contact NORD for evaluation).

Oil expansion tank



For vertical and top-mounted motors (installation position M4) and gear ratios $i < 20$, oil expansion chambers are strongly recommended to prevent the escape of oil through the air vent. Contact NORD so we can generate a solution for your specific drive application.

Special ambient conditions

When gear units are installed outdoors, in damp rooms, or when used in tropical environments, special seals and anti-corrosion measures are necessary. Other ambient conditions, such as during transport or storage prior to installation, may also require additional measures to protect the units and should be considered in the planning stage of the project. Please inform us of any special ambient environmental needs when ordering.

These conditions include:

- ▶ Aggressive or corrosive materials in the environment (contaminated air, gases, acids, bases, salts, etc.)
- ▶ High relative humidity or contact between the geared motor and liquids
- ▶ Severe dirt, dust, or sand deposits on the geared motor
- ▶ Severe air pressure fluctuations
- ▶ Radiation
- ▶ Extreme ambient temperatures or significant temperature changes
 - ▶ **Helical inline, helical bevel, and parallel shaft gear units:** $> 40^{\circ}\text{C} / 104^{\circ}\text{F}$ or $< -20^{\circ}\text{C} / -4^{\circ}\text{F}$
 - ▶ **Worm gear units:** $> 40^{\circ}\text{C} / 104^{\circ}\text{F}$ or $< 0^{\circ}\text{C} / 32^{\circ}\text{F}$
- ▶ Vibrations, accelerations, shocks, impacts, or other abnormal ambient conditions

Storage before commissioning



Prior to installation, gear units and gear motors should only be stored in dry rooms. For longer periods of storage, special measures are necessary. Please download the manual B1000 at www.nord.com.

Ventilation

NORD gear units have a vent plug that compensates for differences in air pressure between the interior of the gear unit and the environment. This vent is closed on delivery to avoid oil leakage during transport and must be activated prior to installation by removing the sealing plug.

Double gear units

With 4-, 5- and 6-stage double gear units, there is minimum load loss due to the many rotating parts and the small drive input power. A no-load loss of approx. 40 watts for 4-pole motors up to 0.75 kW / 1.0 hp is considered in the performance tables.

Drives for ventilators, agitators, and mixers in wastewater treatment plants, in anaerobic digesters for biogas, and in process engineering and fan drives (e.g., in cooling towers) are normally subject to extremely harsh operating conditions such as:

Drives for blowers, agitators, mixers, and fans

- ▶ 24-hour continuous operation at nominal torque or nominal power
- ▶ Large inertia at the output with low gear ratios
- ▶ Vibrations in the drive chain
- ▶ High oscillating bending moments and forces on the drive shaft (with direct positioning of the mixer or ventilator shaft in the gear unit)
- ▶ Vertical Installation
- ▶ Outdoor installation including humidity and aggressive media, as well as severe changes in temperature that form condensation

High environmental protection is required in these instances and typically includes complete sealing and safe oil servicing.

NORD has developed a package of special measures to cater to these demanding conditions and highly recommends taking these into account during the planning stage of the project.



Special measures

A minimum service factor of $f_b = 1.7$ must be selected for agitator and mixer drives due to the heavy loads. NORD recommends a service factor greater than $f_b = 2.0$. For drives running on frequency inverters, care must be taken so that no control-induced vibrations are generated, e.g. via slip compensation. Please note that a speed increase via frequency inverter will increase absorbed power by a power of three.

Service factor f_b

The service factor f_b must always be determined with reference to the maximum speed.

Designs & Options

Abbreviation	Meaning	UNICASE™ / NORDBLOC.1® Helical Inline Gear Units	UNICASE™ Parallel Shaft Gear Units	UNICASE™ / NORDBLOC.1® Helical Bevel Gear Units	UNICASE™ Worm Gear Units	UNIVERSAL SI / SMI Worm Gear Units	Page
Housing Design							
X	Foot-mounted housing	●		●	●		22
F	Flange B5	●	●	●	●	●	22
Z	Flange B14	●	●	●	●	●	22
XF	Foot-mounted housing, flange B5			●		●	23
XZ	Foot-mounted housing, flange B14			●		●	23
Shaft Design							
V	Solid shaft	●	●	●	●	●	23
L	Double solid shaft			●	●	●	23
VF	Solid shaft, flange B5		●	●			23
A	Hollow shaft		●	●	●	●	23
B	Fixing element		●	●	●	●	23
EA	Splined hollow shaft, DIN 5480		●	●	●		23
Torque Transmission Options							
S	Shrink disc		●	●	●		24
VS	Heavy-duty shrink disc		●	●			24
M	GRIPMAXX		●	●	●		24
MM	Symmetrical GRIPMAXX		●	●	●		24
Shaft Cover Options							
H	Hollow shaft cover		●	●	●	●	24
SH	Shrink disc cover		●	●	●		24
H66	IP66 hollow shaft cover		●	●	●		24
Bearing Design							
VL	Reinforced output bearings	●	●	●	●		25
VL2	Spread bearing design		●	●			25
VL3	Spread bearing design with oil safe dry cavity		●	●			25
Mounting Options							
D	Torque arm			●	●	●	26
K	Torque bracket			●			26
G	Rubber buffer		●				26
VG	Reinforced rubber buffer		●				26
SCP	Screw conveyor package (SCP)		●	●	●		27
Sealing Options							
VI	Fluoro-rubber seals (FKM)	●	●	●	●	●	27
2WD	Double output shaft seals	●	●	●	●		27

Abbreviation	Meaning	UNICASE™ / NORDBLOC.1® Helical Inline Gear Units	UNICASE™ Parallel Shaft Gear Units	UNICASE™ / NORDBLOC.1® Helical Bevel Gear Units	UNICASE™ Worm Gear Units	UNIVERSAL SI / SMI Worm Gear Units	Page
Breathers and Plugs							
OV	Open vent	●	●	●	●	●	28
DR	Spring-loaded breather / AUTOVENT™	●	●	●	●	●	28
FV	Filtered vent	●	●	●	●	●	28
MDP	Magnetic drain plug	●	●	●	●	●	28
Further Options							
R	Backstop			●			29
OSG	Oil sight glass	●	●	●	●		41
OC	Oil cooler	●	●	●	●		41
OA	Oil expansion chamber	●	●	●	●		42
OT	External oil tank	●	●	●			44
Input Adapters							
W	Solid input shaft	●	●	●	●	●	45
RLS	Backstop	●	●	●			45
BRG1	Regreasing of bearings	●	●	●			45

● Available

Drive Types

The modular NORD concept enables gear units to accommodate all types of drives. All drives are bolted on and have turned mating surfaces for simple, precise mounting.

NORD supplies the following drive types:

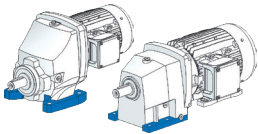
- ▶ Gear motor
- ▶ Gear unit with free input shaft
- ▶ Gear unit with IEC or NEMA motor adapter

Among others, NORD provides the following mounting options:

- ▶ Foot (X)
- ▶ Flange B5 (F)
- ▶ Flange B14 (Z)
- ▶ Hollow shaft (A)
- ▶ Foot, flange B5 (XF)
- ▶ Foot, flange B14 (XZ)

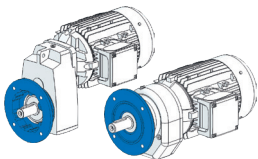
Housing Design

Foot-Mounted Housing (X)



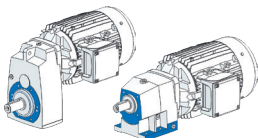
Gear units are typically designed for foot mounting utilizing a mounting plate with bolts or studs. They are equipped with mounting feet with through holes.

Flange B5 (F)



A flange B5 is a simple mounting flange with a large diameter, through holes, and a centered mating surface that secures the gear unit to the application. The flange B5 has standard metric dimensions and is available for all NORD gear motors.

Flange B14 (Z)

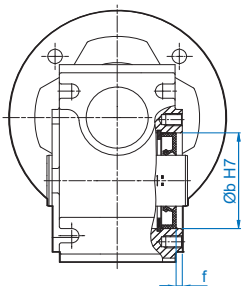


A flange B14 has threaded holes and a centered mating surface in the housing of the gear unit. It is a compact method commonly used to attach the gear motor to the base of the application or to attach a wide range of add-on components such as a flange B5, torque arm, or shaft cover. The flange B14 has standard metric dimensions.

The standard output flanges of UNIVERSAL SI and SMI worm gear units enable centering.

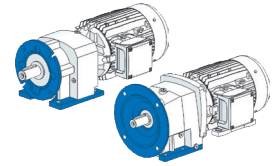
Centering of Output Flange B14

UNIVERSAL Worm Gear Unit Size	$\varnothing b$ H7 [mm]	f [mm]
31	47	3
40	62	3
50	80	3
63	100	4
75	120	4



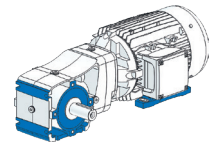
Foot-Mounted Housing, Flange B5 (XF)

NORD offers a wide range of gear units with a foot-mounted housing and flange B5. This flange is intended for mounting auxiliary equipment on the gear unit and an additional support must be used if the flange is used to attach the gear unit to the application. The XF types of UNICASE™ Helical Bevel Gear Units are designed for foot mounting. The XF types of all other gear unit series can either be foot or flange mounted.



Foot-Mounted Housing, Flange B14 (XZ)

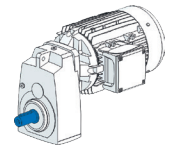
NORD can supply some foot mounted gear units with a face flange B14 as well. These XZ units are designed to be foot and not flange mounted. The flange B14 is intended for mounting auxiliary equipment on the gear unit and an additional support must be used if the flange is used to attach the gear unit to the application.



Shaft Design

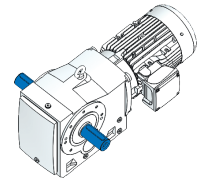
Solid Shaft (V)

NORD standard shafts with parallel keys have a threaded hole in the face side. These shafts are available in metric or imperial dimensions.



Double Solid Shaft (L)

The standard solid shaft end is projected out of both sides of the gear unit. This option is commonly used to transfer torque out of both sides of the reducer or to mount a speed-monitoring device, such as an encoder, on one of the shaft ends. Keyway alignment must be specified when ordering.

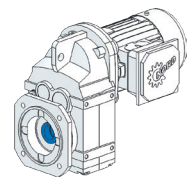


Solid Shaft, Flange B5 (VF)

NORD offers optional solid shafts for UNICASE™ parallel shaft, helical bevel, and UNICASE worm gear units with a mounting flange. This option provides additional shaft length past the mounting flange surface. Contact NORD for further details.

Hollow Shaft (A)

Standard hollow shafts with parallel keys are made from high-quality carbon steel. NORD gear motors are available with various shaft diameters upon request.



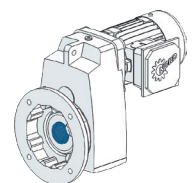
Fixing Element (B)

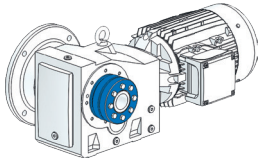
As small vibrations occur with all shafts, NORD supplies an optional fixing element kit. This prevents the gear motor from changing its position in an axial direction during use.

See ⇒  A88 for fixing element kit engineering information.

Splined Hollow Shaft, DIN 5480 (EA)

Hollow shafts with metric spline profiles as per DIN 5480 are available for select NORD gear motors. These splined shafts are often used for crane travel drives.





Torque Transmission Options

Shrink Disc (S)

The shrink disc is based on a clamping principle which enables torque transfer via friction by converting the tightening force of the clamping screws into a radial pressure between the shaft and the hub, allowing shrinking onto the shaft. Shrink discs enable a force fit which is completely free of play and can transfer large torques in contrast with other types of mounting. Shrink discs do not wear, even with frequent changes of load or direction of rotation.

Shrink discs provide the following advantages:

- ▶ Reduced mating surface corrosion in contrast to key connections
- ▶ Easy assembly and dismantling
- ▶ Larger hollow bore diameters possible than keyed hollow shafts

See ⇒  A77 for engineering information on shrink disks.

Heavy-Duty Shrink Disc (VS)

The NORD heavy-duty shrink disc provides greater clamping force and greater safety for demanding applications.

GRIPMAXX™ (M)

GRIPMAXX is an innovative hollow shaft bushing clamping system for friction-locked torque transmission between the gearbox shaft and the driven machine's shaft.

GRIPMAXX uses the proven NORD shrink disk system and a unique, patented hollow shaft and clamping bush design which provides both high strength and flexibility to accommodate a wide range of inch and metric bushing inserts.

GRIPMAXX offers several advantages:

- ▶ **Bore size flexibility** – a single gear unit can be supplied with multiple bore sizes/bushing options
- ▶ **No special shaft tolerances** – readily available, keyless, and cold-finished shaft stock can be used since the bushing absorbs the extra clearance in the system
- ▶ **Easy installation and removal** – The loose tolerance requirements of the driven machine shaft and generous assembly clearances help ensure easy installation

Symmetrical GRIPMAXX™ (MM)

The GRIPMAXX bushing system is also available as a symmetrical version and allows the shrink disk to be mounted on the A or B side of the gearbox.

See ⇒  A84 for engineering information on GRIPMAXX.

Shaft Cover Options

Hollow Shaft Cover (H)

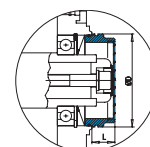
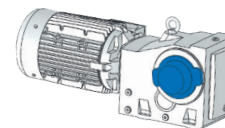
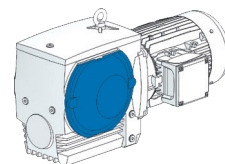
An optional cover for the rotating hollow shaft is available. This also protects the output shaft against dust and dirt.

Shrink Disc Cover (SH)

A shrink disc cover is required for all shrink disc gear units and provides protection from the rotating shrink disk. This cover is included with all shrink disc selected options.

IP66 Hollow Shaft Cover (H66)

NORD supplies hollow shaft covers in protection class IP66 (protection against dust and splashed water). The rotating hollow shaft is completely sealed against humidity and foreign bodies.



Bearing Design

Reinforced Output Bearings (VL)

The use of reinforced output bearings with increased load bearing capacity enables higher external loads (radial/axial) to be absorbed. Contact NORD in case of greater axial or radial loads than shown in the rating tables.

Spread Bearing Design (VL2)

NORD offers reinforced output shaft bearings with increased bearing distance. The lower bearing is an oversized, double row spherical bearing that absorbs high overhung and thrust loads while providing a longer bearing life. The VL2 spread bearing design is commonly used for shredders, mixers, overhead conveyors, or applications requiring increased bearing load carrying capacities. Included with the VL2 design is a grease fitting for the lower bearing and a removable plug to allow excess grease to purge from the bearing cavity.

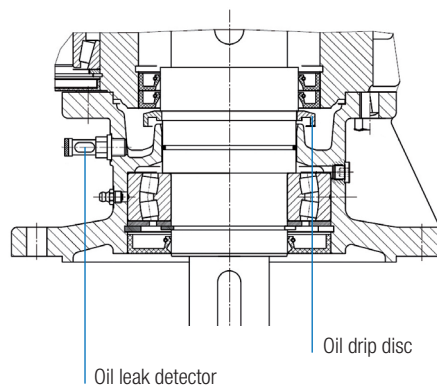
Spread Bearing Design with DRYWELL (VL3)

The VL3 DRYWELL design adds additional oil leak protective measures to the VL2 spread bearing design. When using a vertical output shaft, NORD's sealing system prevents oil from leaking from the gear unit into the flange. If any oil were to leak past the seals, it would flow down to the oil slinger mounted onto the shaft. As the shaft rotates, the oil will sling off into the dry cavity. If oil leaks past the seals into the dry cavity, the seals must be replaced to prevent further leakage. A sight tube is provided for dry cavity inspection. At the bottom of the spread bearing flange is a grease packed, shaft seal with an additional dust lip.

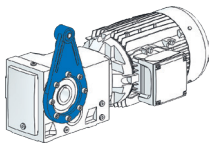
NORD can calculate the bearing service life upon request. The following values are required for calculation:

Calculation of bearing life

- ▶ P [kW / hp] Rated power
- ▶ n_2 [r/min] Output speed
- ▶ $F_{A2,req}$ [N / lb] Axial force
- ▶ $F_{R1,req}$ [N / lb] Radial force
- ▶ C [mm / in] Distance of point of action of the force from the contact surface of the flange
- ▶ L_h [h] Bearing life
- ▶ $M_{B2,req}$ [Nm] Bending torque



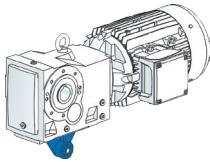
Designs & Options



Mounting Options

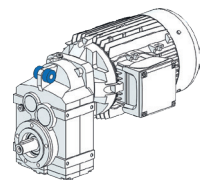
Torque Arm (D)

A torque arm is a compact, simple solution to secure a hollow shaft mounted gear motor. It is bolted to the gearbox's flange B14 and includes a rubber bushing at the attachment hole that acts as a shock absorber to dampen any load impacts.



Torque Bracket (K)

A torque bracket is used to secure a shaft mounted gear motor. It is bolted to the underside of the gear unit and includes a rubber bushing at the attachment hole to absorb shock loads.



Rubber Buffer (G)

Two rubber buffers are mounted on the torque tab of the UNICASE™ parallel shaft gear units. They are used to dampen torsional load shocks that act on the gear motor. As the rubber buffers reduce the overall torsional load shocks, their use can increase the service life of the gear motor and the dampening effect can be increased using several buffers in a row. The permissible temperature range for the use of rubber buffers is from -40°C / -40°F to 80°C / 176°F.

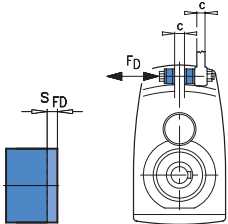
Total distance buffers compress at force: $S_{FDtot} = n \times S_{FD}$

- ▶ S_{FD} Distance buffers compress at force [mm]
- ▶ n Number of rubber buffers used in series

Reinforced Rubber Buffer (VG)

Rubber buffers are optionally available as reinforced VG versions for UNICASE parallel shaft gear units with face mounted designs. Rubber buffers are always supplied in pairs.

- ▶ FD Compressive force acting on rubber buffer [kN]
- ▶ c Width
- ▶ S_{FD} Distance buffers compress at force



See ⇒  D136 for UNICASE parallel shaft gear unit dimensions.

Screw Conveyor Package (SCP)

The NORD screw conveyor package provides a complete power transmission for screw conveyor applications. Increased efficiency comes from the elimination of costly V-belt drives and by providing integral gear motors or direct coupled motors. The SCP package also features a superior sealing system and flexible mounting features.

Optimized Sealing System

- ▶ Dual (VI) lip seals
- ▶ Grease impregnated packing seal
- ▶ Dual gap seals (excludes particles)
- ▶ Material evacuation ports
- ▶ Shaft material ditch

Mounting

- ▶ Standard CEMA mounting
- ▶ Versatile flange – multiple bolt patterns
- ▶ 3-hole tapered CEMA drive shaft (easy mounting and removal)
- ▶ Reduced bearing loads – tapered shaft allows for screw pipe misalignment
- ▶ Quick external removal feature

See ⇒  A70 for Screw Conveyor Package engineering information.

Sealing Options

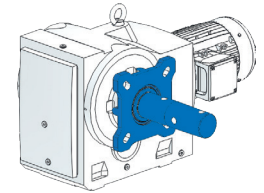
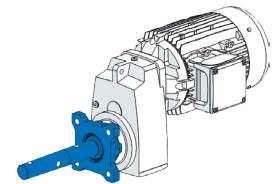
(FKM) Fluoro-Rubber Seals (VI)

Fluoro-rubber elastomer (FKM) output shaft sealing rings, also known by the trade name Viton, can be supplied for almost all types of gear units. FKM seals have a higher resistance to heat and chemicals and are recommended in place of the standard NBR shaft sealing rings when temperatures are above 85°C (185°F) for mineral oil lubrication and 80°C (176°F) for synthetic lubrication. For applications in which the shaft sealing ring encounters chemicals from the outside, e.g. when cleaning the plant, the compatibility of the shaft sealing ring material must be checked, both for NBR and FKM.

Double Output Shaft Seals (2WD)

Increased reliability is provided by the double shaft seal on the output side consisting of two shaft sealing rings. Substances acting on the seal from the outside must overcome additional barriers before they can reach the inner sealing lip and cause leakage.

In the event of damage from the outside, the second shaft seal provides additional leakage safety. The double shaft seal has an inner shaft seal without a protective lip and an outer shaft seal with protective lip.



Breathers and Plugs

Open Vent (OV)

An open vent is available for NORD gear units. The open vent equalizes air pressure differences between the inner space of the gear unit and the outer environment. Open vents are closed upon delivery to prevent oil leakage. Before the gear unit is put in service, the open vent should be activated by removing the sealing plug.

Spring-Loaded Breather / AUTOVENT™ (DR)

The AUTOVENT™ limits excessively high internal pressures and helps prevent bearing and gear damage by behaving like a check valve to block the entry of foreign material and prevent lubrication contamination from dust particles, moisture, and air-borne process chemicals. The breather opens if the internal pressure rises during operation and closes tightly as the gearbox cools. This is optimal for humid conditions and wash-down environments, helping to maintain proper oil cleanliness while reducing foaming and oxidation.

UNIVERSAL SI Worm Gear Units

Worm gear units can be supplied with a vent for most installation positions. The installation position must be stated for vented gear units.

Gear Unit	Installation Positions					
	M1	M2	M3	M4	M5	M6
SK 1SI31		●	●	●		●
SK 1SI40		●	●	●		●
SK 1SI50	●	●	●	●		●
SK 1SI63	●	●	●	●	●	●
SK 1SI75	●	●	●	●		●

Filtered Vent (FV)

A filtered vent allows gases to permeate but does not allow dust and debris to pass through the vent. Contact NORD to discuss if a filtered vent is possible for your application.

Magnetic Drain Plug (MDP)

Magnetic drain plugs attract and hold ferrous metal particles that may circulate inside the gear unit's lubrication system. These potentially abrasive particles may cause excessive wear in the gear unit if they remain circulating.

Further Options

Backstop (R)

Backstops are available as an option to prevent the shaft from rotating in the opposite direction. Three-phase AC-motors in case size 80 or larger and mounting adapters with free input shafts may be equipped with a grease-lubricated backstop. These backstops lift off due to centrifugal force at a rotation speed (n_1) greater than approx. 900 r/min and then run without wear.

Grease-lubricated backstop

Bevel gear units SK 9012.1, SK 9022.1, ... SK 9096.1 are available with a standard backstop that is integrated into the gear unit. For these, the backstop is lubricated via the gear unit oil filling.

Integrated backstop

The motor adapters AI160 – AI315 and AN210TC – AN400TC for gear units of size SK 62/6282/9072.1 and above can be equipped with a backstop as a special option. Smaller gear units with smaller IEC adapters are available as special versions with a backstop in the motor adapter upon request.

Special version with backstop

For drive units with a backstop, the direction of rotation for the output shaft must be stated. The direction of rotation is defined from the viewpoint of the drive shaft. Please reference the drawings below.

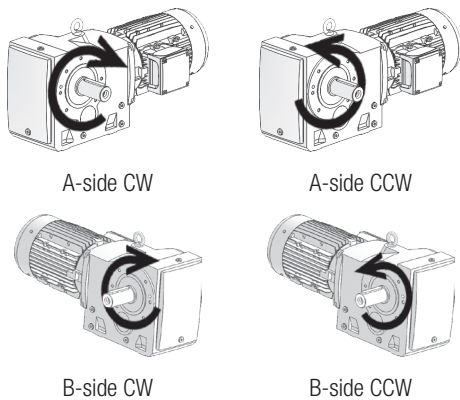
Notice! Danger of fracture. Check the direction of rotation of the motor and the gear unit before starting up the system. Arrows on the gear unit indicate the direction of rotation.

Danger of fracture

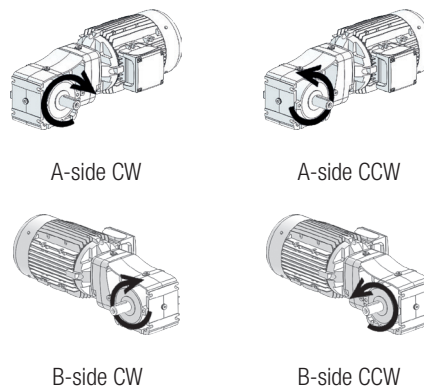
- ▶ CW Clockwise rotation, rotation to right
- ▶ CCW Counterclockwise rotation, rotation to left

See table of rotation ⇒ A64.

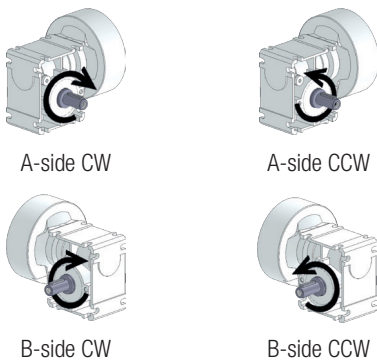
UNICASE™ Helical Bevel Gear Units



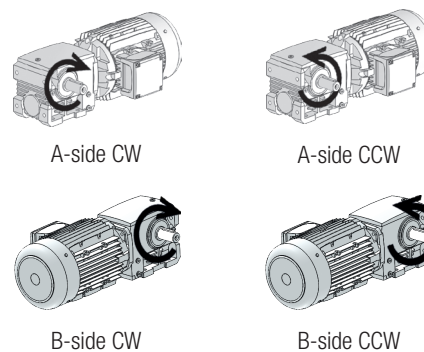
NORDBLOC.1® Helical Bevel Gear Units



UNIVERSAL SI Worm Gear Units



UNICASE™ Worm Gear Units



Lubrication

The following tables show standard and optional lubricant types for NORD gear units. For details on NORD approved lubricants, see manual B1000. NORD selects the optimum oil type based on application data.

Oil Fill Quantities

All relevant, up-to-date oil fill quantities can be checked online via the myNORD online customer portal.

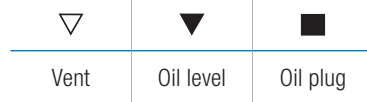
Oil Type	Details on Nameplate	Gear Unit Type			
		Helical Inline	Helical Bevel	Parallel Shaft	Worm Gear
Mineral oil	CLP 220	●	●	●	
Synthetic oil - polyalphaolefin (PAO)	CLP HC 220	●	●	●	
	CLP HC 680				●
Synthetic oil - polyglycol (PG)	CLP PG 220	●	●	●	
	CLP PG 680				●
Food grade oil - polyglycol (PG)	CLP PG H1 220	●	●	●	
	CLP PG H1 680				●
Bio-degradable oil	CLP E 220	●	●	●	
	CLP E 680				●
Mineral oil - VCI long-term storage*	CLP 220 VCI	○	○	○	
Synthetic oil - polyalphaolefin (PAO) - VCI long-term storage*	CLP HC 220 VCI	○	○	○	

- Default offering
- Optional offering
- Long term storage

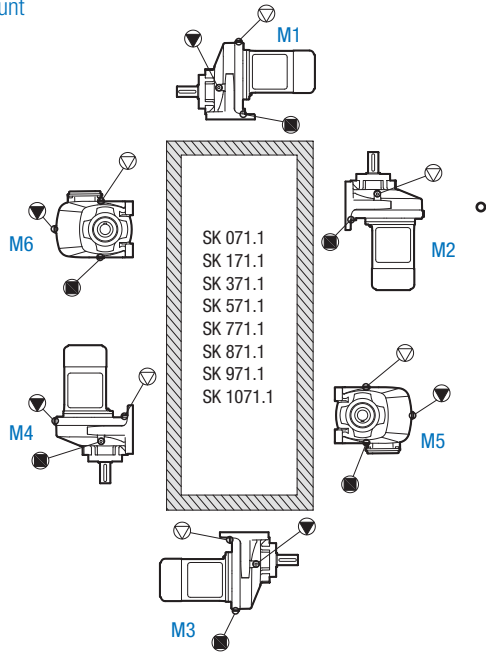
* NORD recommends the long-term storage option for storage or downtimes of more than 9 months. We offer standard mineral oils and PAO-HC synthetic oils with a VCI additive. If these lubricants are used, the gear units can be filled with the standard amount of oil (no overfilling necessary) and stored for up to 2 years.

NORDBLOC.1® Helical Inline Gear Unit Oil Plug Locations

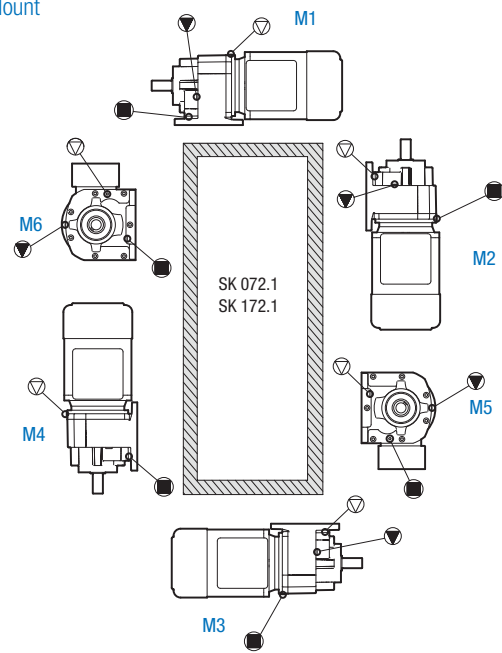
Prior to commissioning, check the oil fill level using the gear unit's oil level plug and drain. Add additional oil as needed. The correct oil level is located at the lower edge of the oil level hole. For mounting orientations other than those shown, contact NORD as new plug locations may be required.



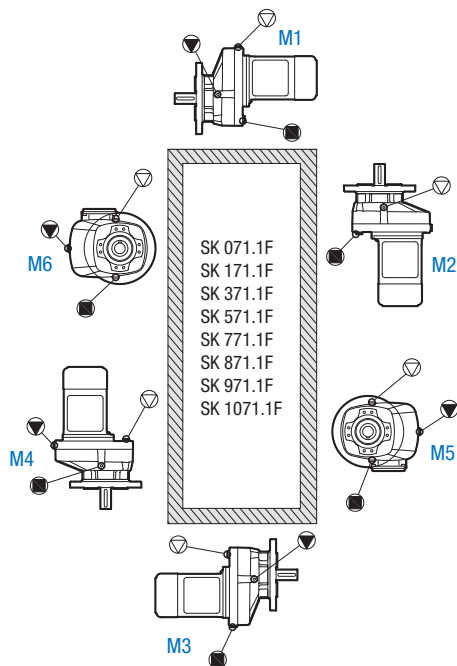
Foot Mount



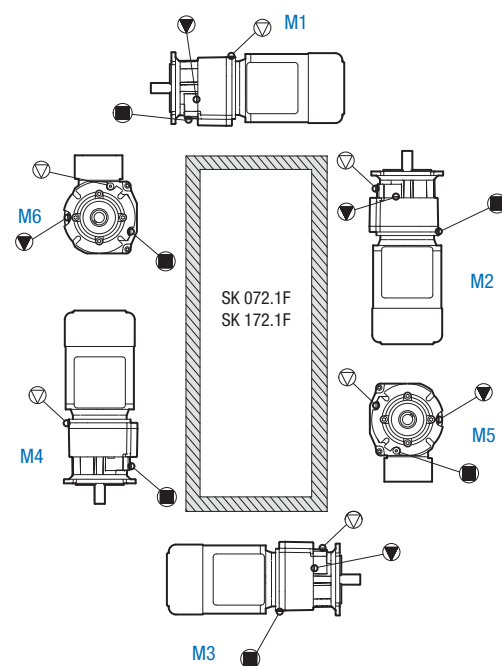
Foot Mount



Shaft / Flange Mount



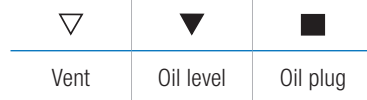
Shaft / Flange Mount



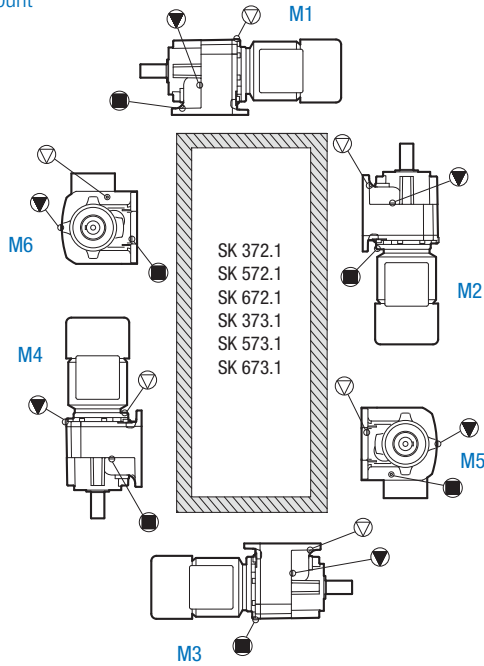
Designs & Options

NORDBLOC.1® Helical Inline Gear Unit Oil Plug Locations

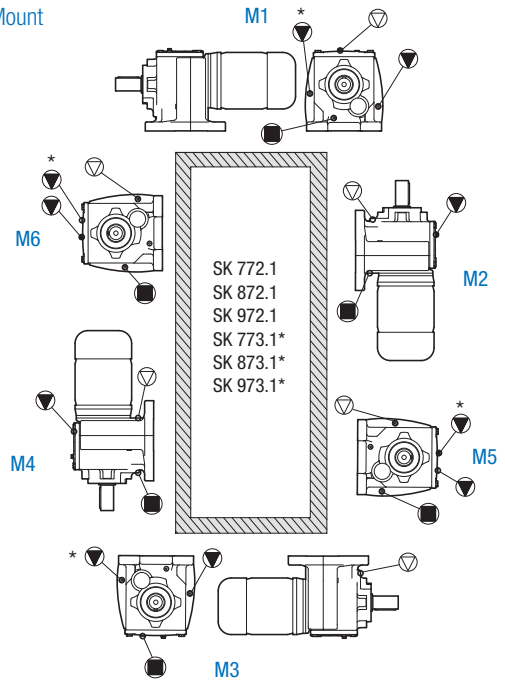
Prior to installation, check the oil fill level using the gear unit's oil level plug and drain. Add additional oil as needed. The correct oil level is located at the lower edge of the oil level hole. For mounting orientations other than those shown, please consult NORD as new plug locations may be required.



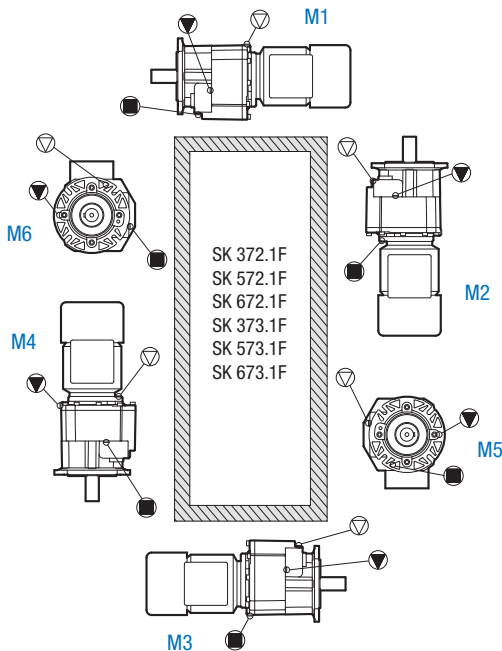
Foot Mount



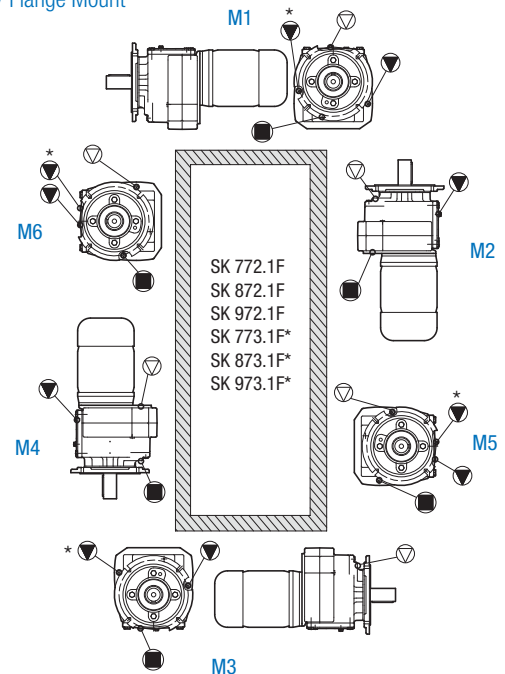
Foot Mount



Shaft / Flange Mount



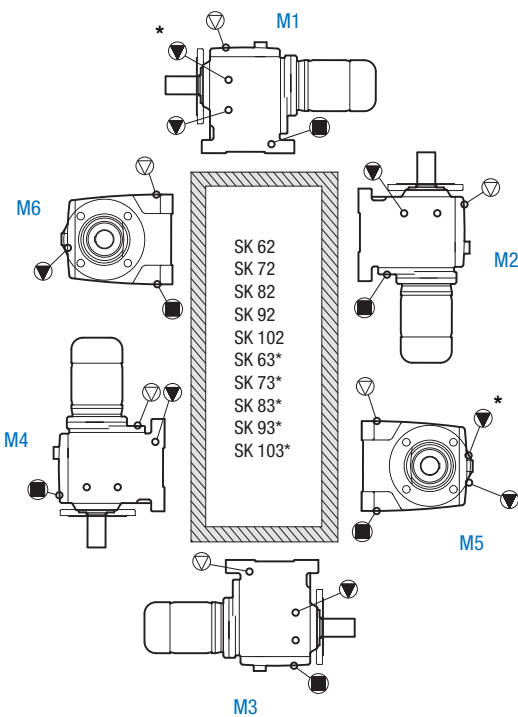
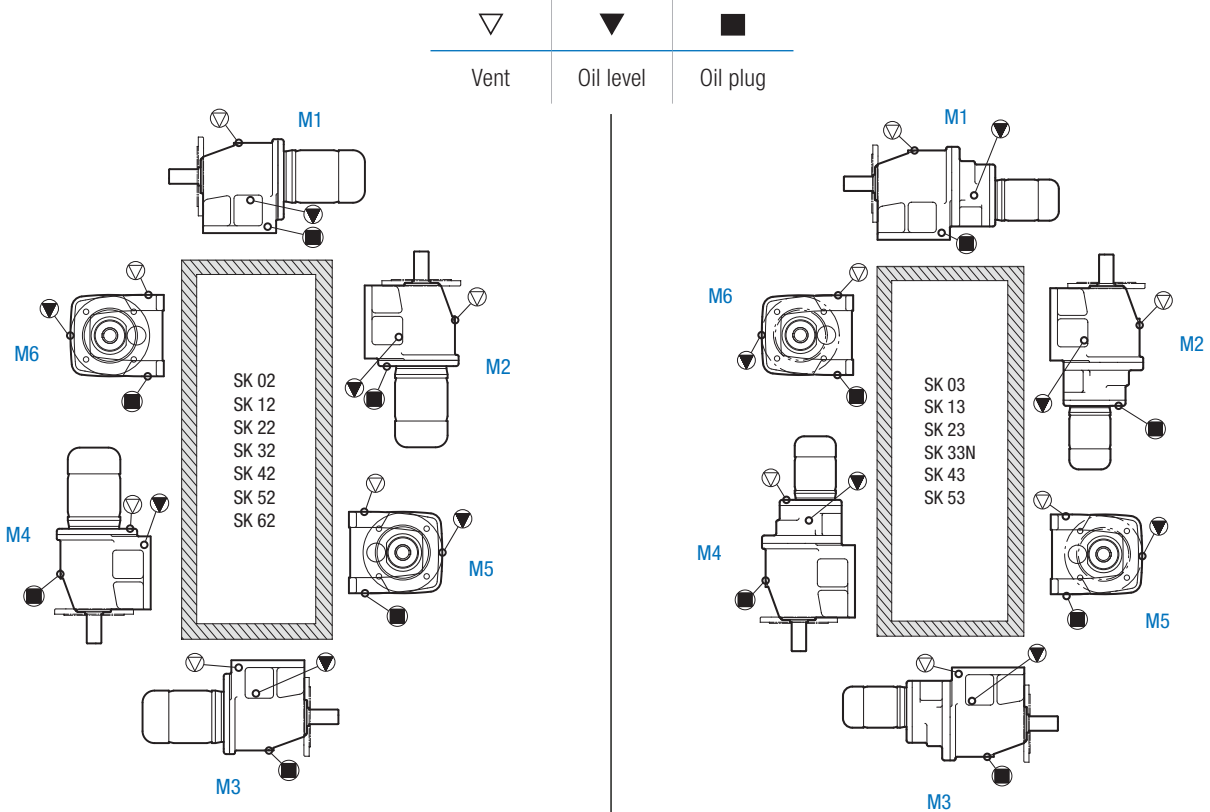
Shaft / Flange Mount



* Oil fill level for three stage gear units

UNICASE™ Helical Inline Gear Unit Oil Plug Locations

Prior to installation, check the oil fill level using the gear unit's oil level plug and drain. Add additional oil as needed. The correct oil level is located at the lower edge of the oil level hole. For mounting orientations other than those shown, please consult NORD as new plug locations may be required.

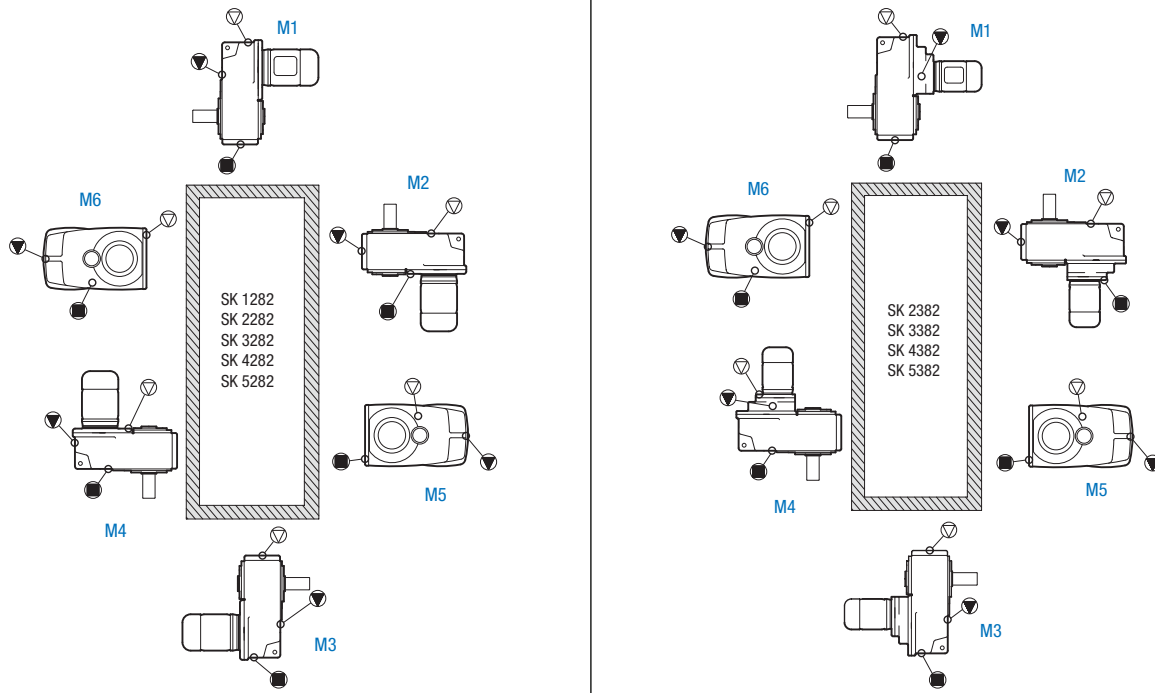
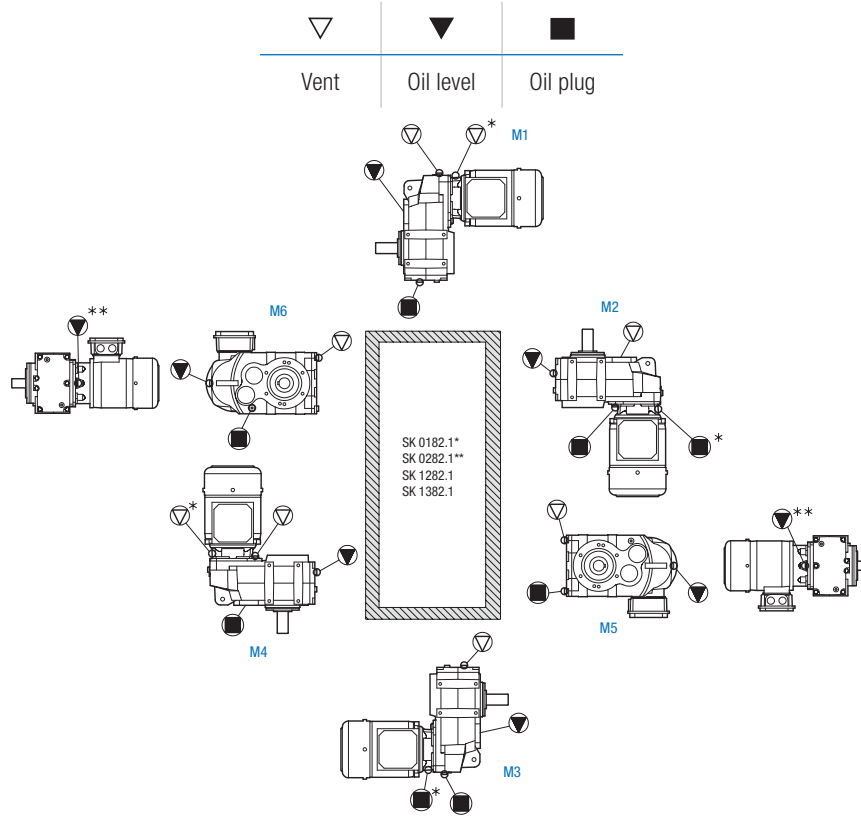


* Oil fill level for three stage gear units

Designs & Options

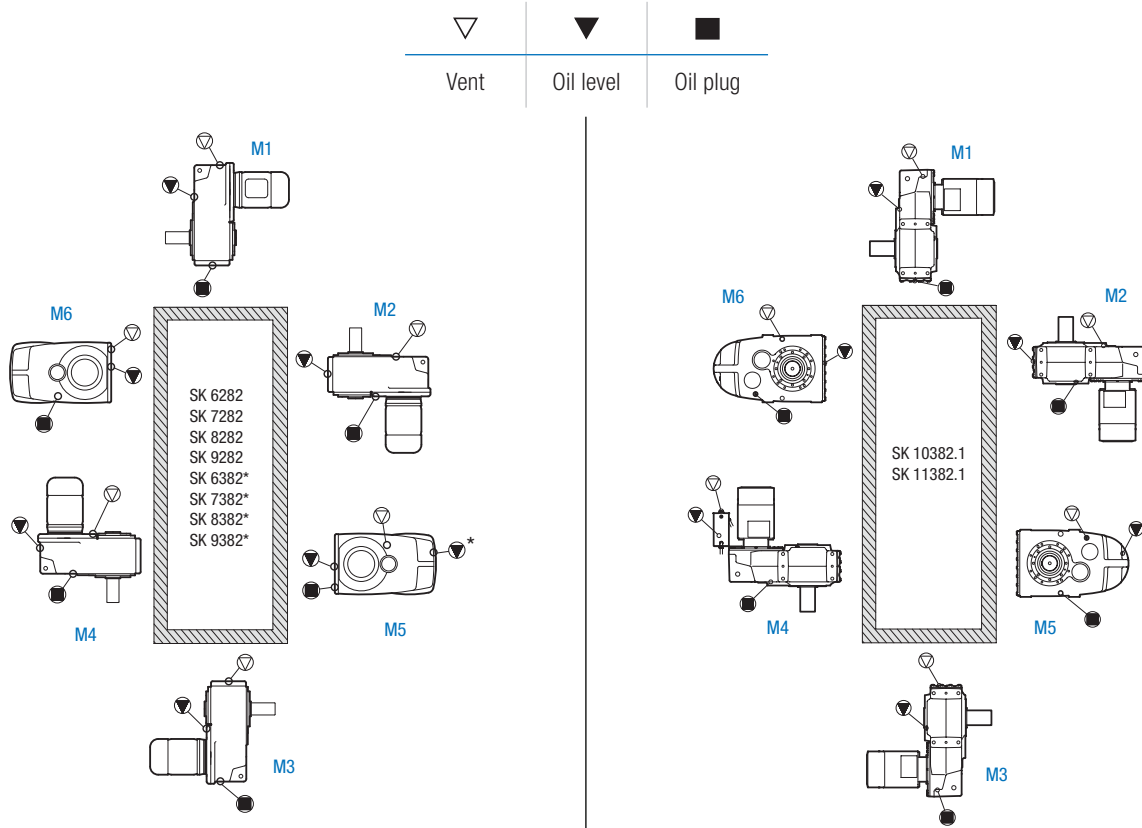
UNICASE™ Parallel Shaft Gear Unit Oil Plug Locations

Prior to installation, check the oil fill level using the gear unit's oil level plug and drain. Add additional oil as needed. The correct oil level is located at the lower edge of the oil level hole. For mounting orientations other than those shown, please consult NORD as new plug locations may be required.



UNICASE™ Parallel Shaft Gear Unit Oil Plug Locations

Prior to installation, check the oil fill level using the gear unit's oil level plug and drain. Add additional oil as needed. The correct oil level is located at the lower edge of the oil level hole. For mounting orientations other than those shown, please consult NORD as new plug locations may be required.



* Oil fill level for 3-stage gear units

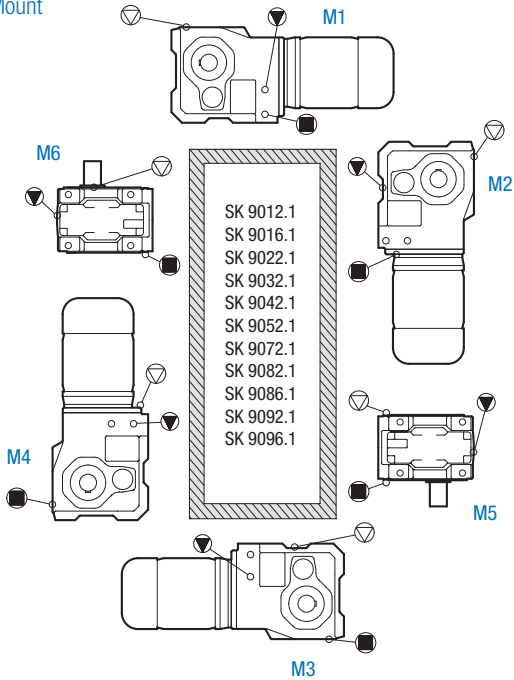
Designs & Options

UNICASE™ Helical Bevel Gear Unit Oil Plug Locations

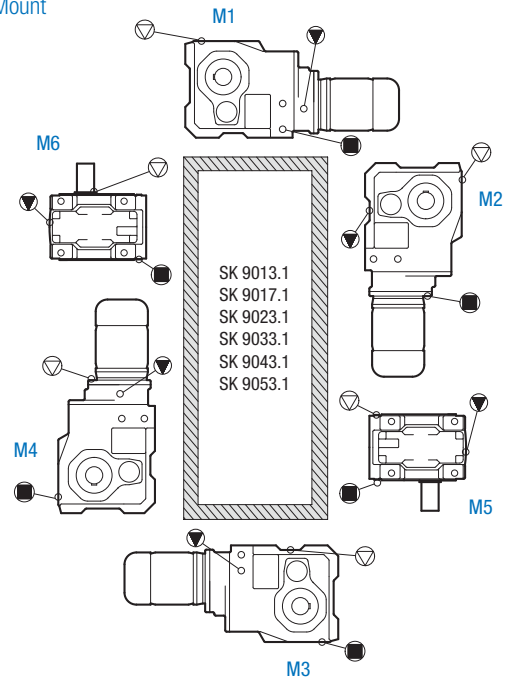
Prior to installation, check the oil fill level using the gear unit's oil level plug and drain. Add additional oil as needed. The correct oil level is located at the lower edge of the oil level hole. For mounting orientations other than those shown, please consult NORD as new plug locations may be required.



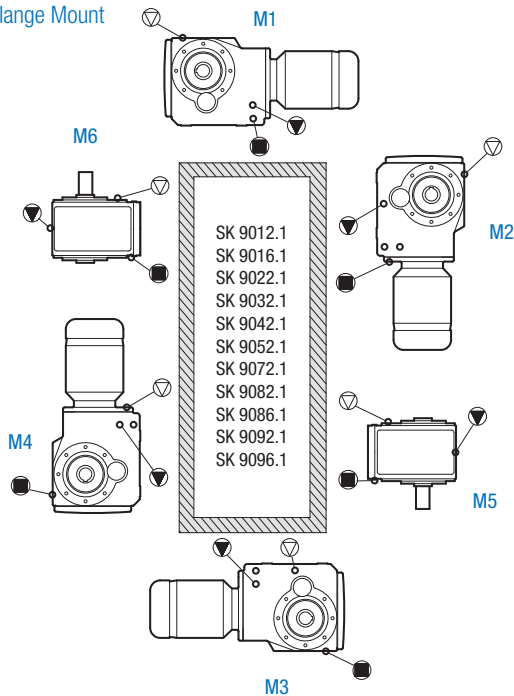
Foot Mount



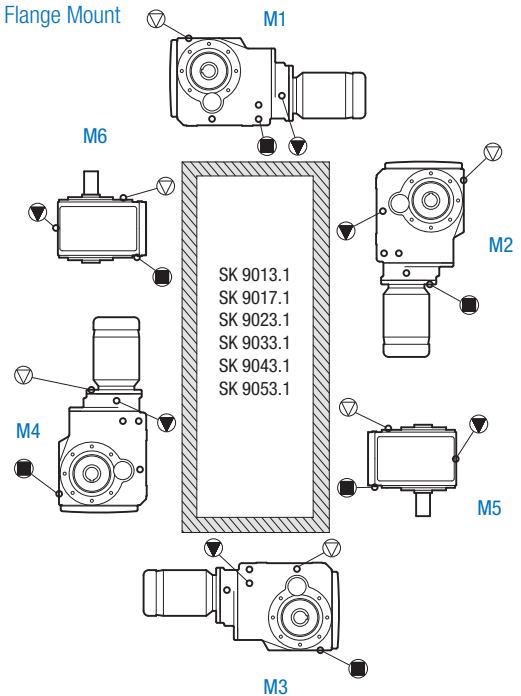
Foot Mount



Shaft / Flange Mount

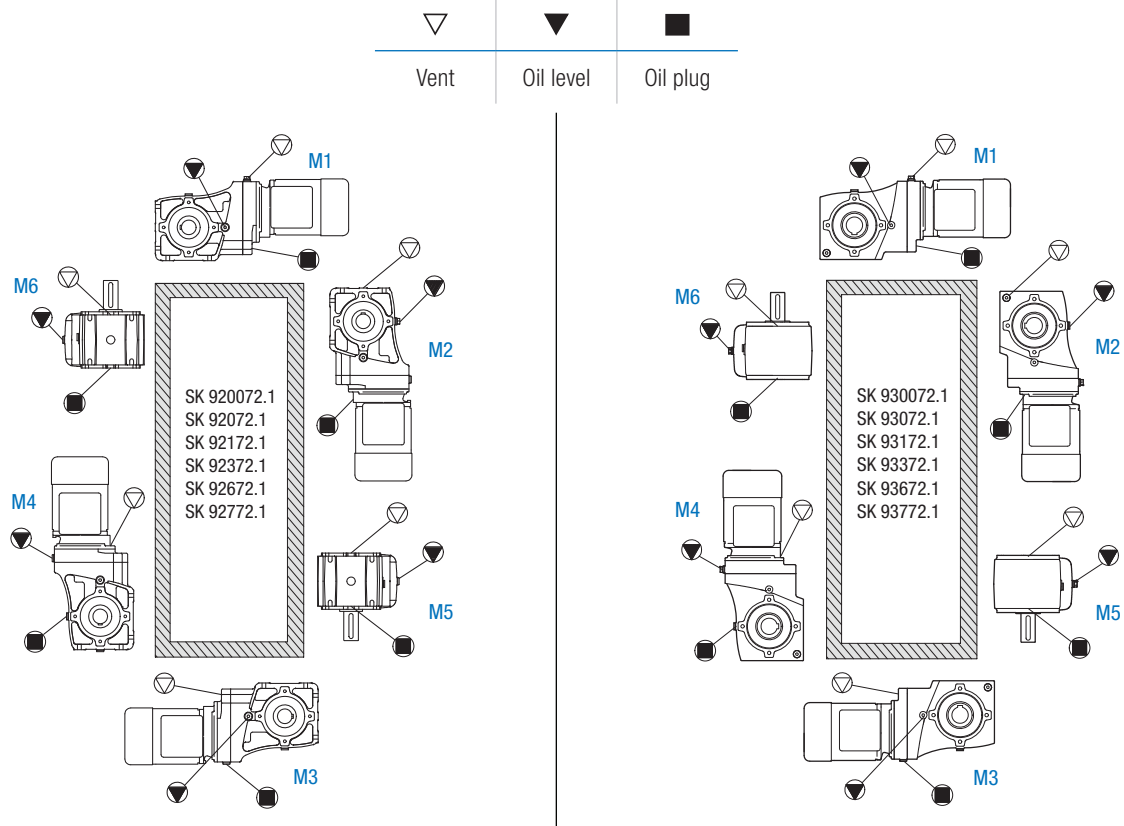


Shaft / Flange Mount



NORDBLOC.1® Helical Bevel Gear Unit Oil Plug Locations

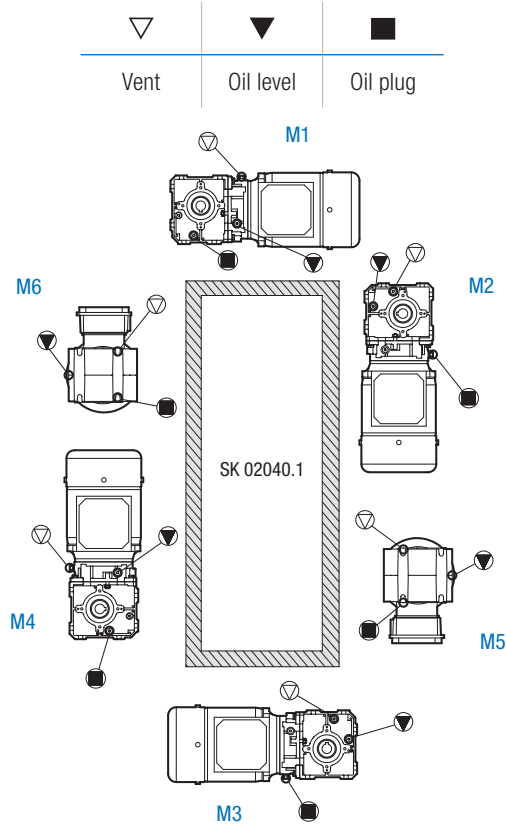
Prior to installation, check the oil fill level using the gear unit's oil level plug and drain. Add additional oil as needed. The correct oil level is located at the lower edge of the oil level hole. For mounting orientations other than those shown, please consult NORD as new plug locations may be required.



Designs & Options

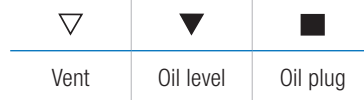
UNICASE™ Worm Gear Unit Oil Plug Locations

Prior to installation, check the oil fill level using the gear unit's oil level plug and drain. Add additional oil as needed. The correct oil level is located at the lower edge of the oil level hole. For mounting orientations other than those shown, please consult NORD as new plug locations may be required.

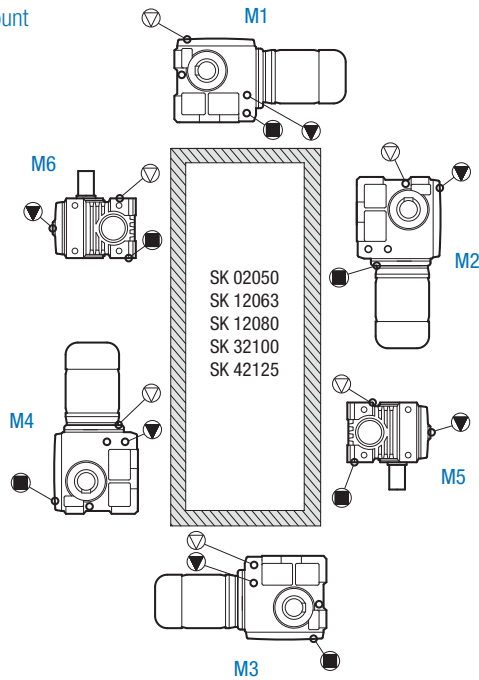


UNICASE™ Worm Gear Unit Oil Plug Locations

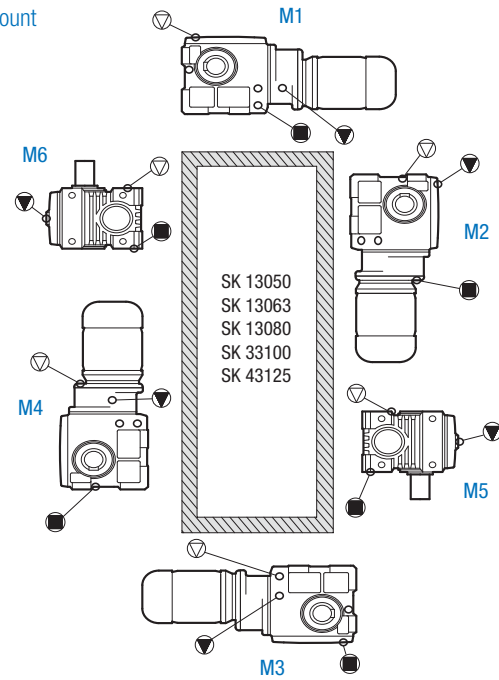
Prior to installation, check the oil fill level using the gear unit's oil level plug and drain. Add additional oil as needed. The correct oil level is located at the lower edge of the oil level hole. For mounting orientations other than those shown, please consult NORD as new plug locations may be required.



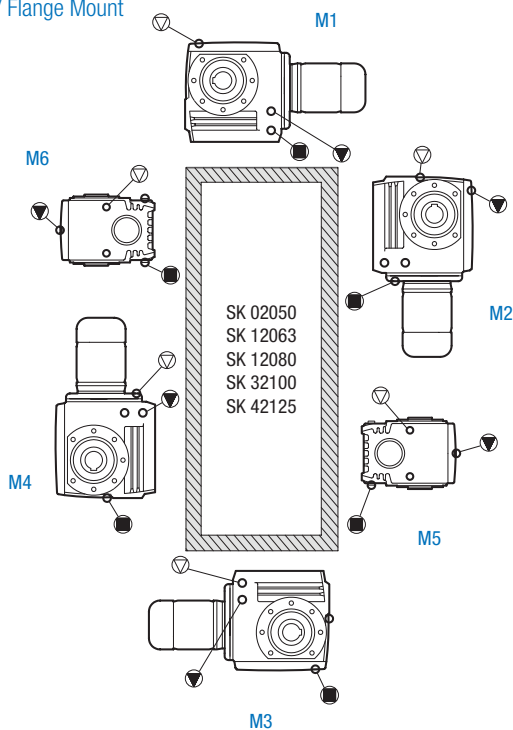
Foot Mount



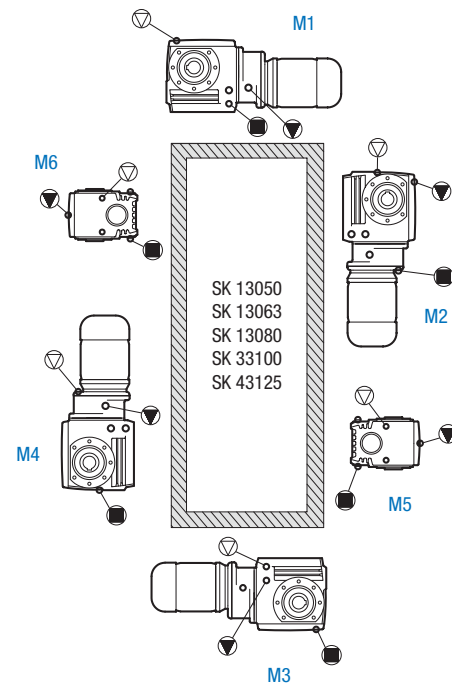
Foot Mount



Shaft / Flange Mount



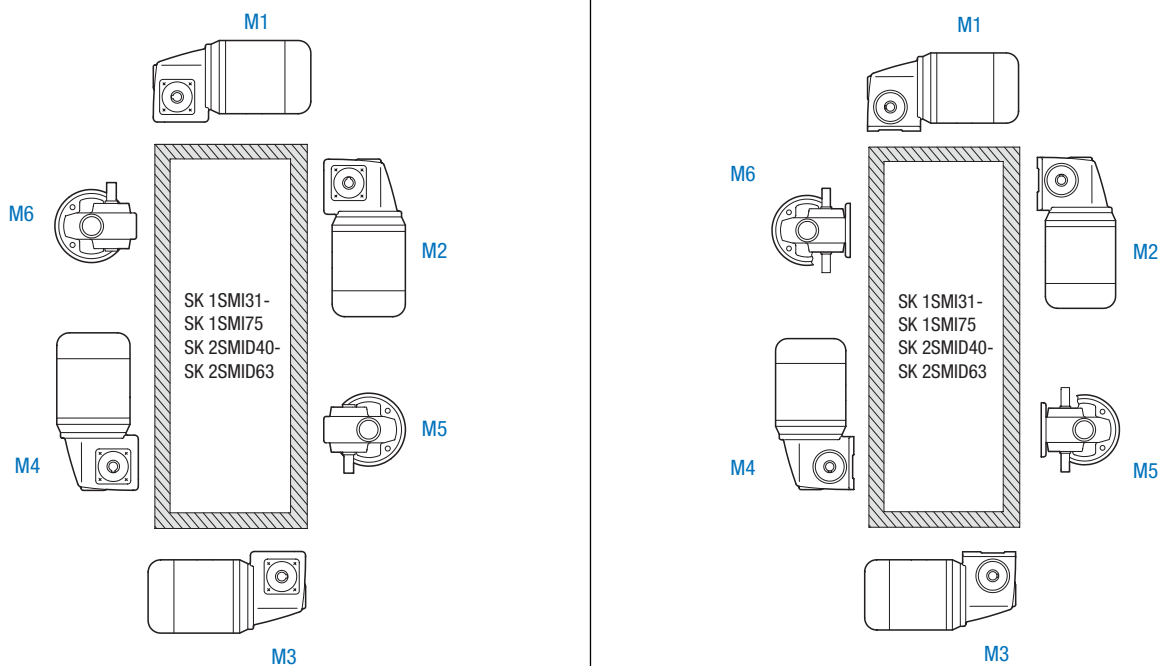
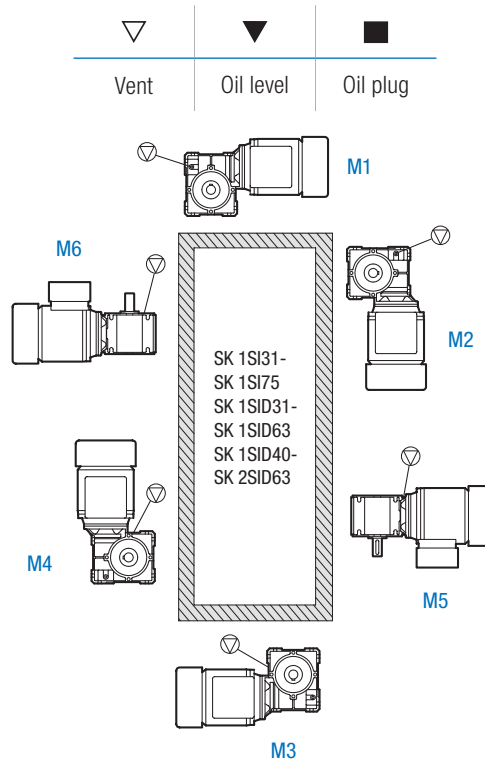
Shaft / Flange Mount



Designs & Options

UNIVERSAL SI and SMI Worm Gear Unit Oil Plug Locations

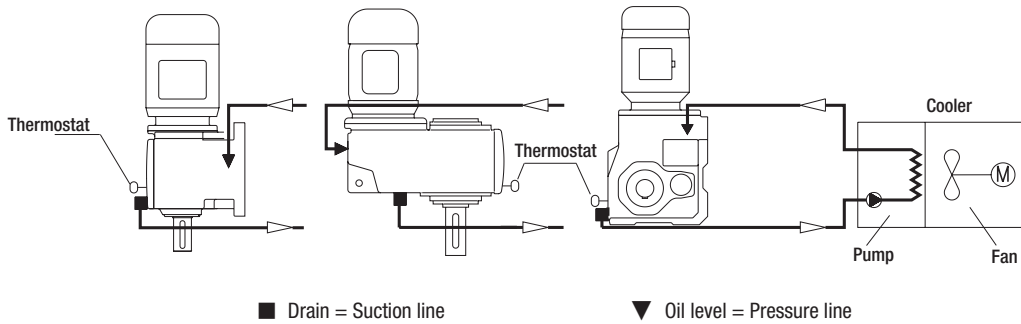
NORD SI and SMI worm gear units are suitable for all installation positions and have an oil filling which is independent of the mounting position. These units can be equipped with an optional vent screw and must be installed in the stated mounting position. Types SI and SMI as 2-stage gear unit types and as worm gear units for direct motor mounting have an oil filling requirement that depends on the mounting position and must be installed in the stated position.



Oil Sight Glass (OSG)

The oil sight glass provides a visible oil level indication on the gear unit. The sight glass replaces the standard screw plug and consists of a sealed clear porthole centered in the middle of a brass plug. The sight glass allows for quick oil level and oil condition inspection. To use the oil sight glass, it may be necessary to adjust the lubricant quantity. For detail information, see [manual B1000](#).

Oil Cooler (OC)



To prevent overheating, an oil cooler may be required. With an oil cooler, the gear unit oil is drawn in by a pump and flows through a heat exchanger. The oil is cooled by an air stream which is generated by a fan and is returned to the housing. Temperature is controlled by a thermostat and temperature monitoring is recommended.

Oil Expansion Chamber (OA)

Gear units with a motor or input shaft mounted vertically require a higher oil level for lubricating the 1st gear unit stage. The use of an optional oil expansion chamber for the vertical mounting position M4 is recommended and prevents the possible leakage of oil from the vent plug if oil foaming occurs.

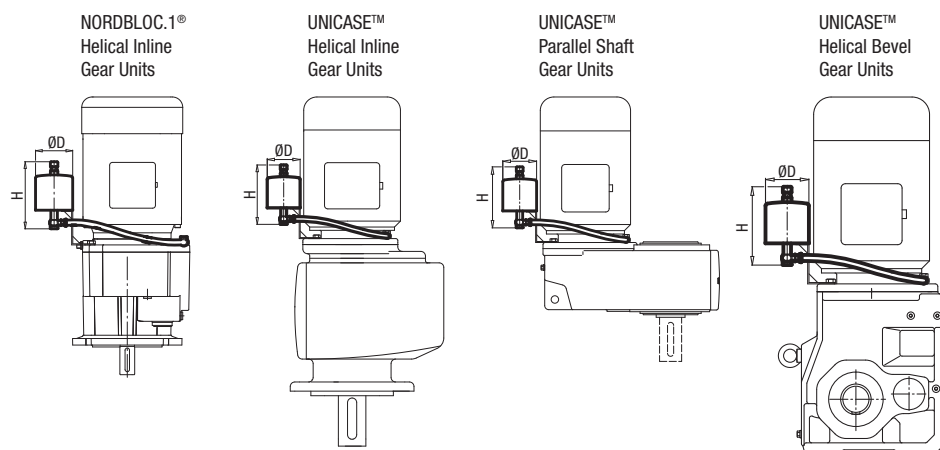
During operation, the oil expansion chamber provides a safe overflow area for the expanded oil-air mixture, reducing excessive pressure build-up, minimizing the formation of foam, and preventing oil loss through the breather, oil seals, gaskets, etc.

Application considerations

NORD strongly recommends the use of an oil expansion chamber when it meets all of the criteria listed below. If no oil expansion chamber is selected, warranty may not be applicable.

- ▶ **NORDBLOC.1® Helical Inline Gear Units**
 - ▶ SK 071.1 and SK 171.1 with ratio $i < 20$ or input speed $n_1 > 1,800$ r/min in M4 mounting position
 - ▶ SK 072.1 – SK 973.1 with ratio $i < 20$ or input speed $n_1 > 1,800$ r/min in M4 mounting position
- ▶ **UNICASE™ Helical Inline Gear Units**
 - ▶ SK 42 – SK 103 with ratio $i < 20$ or input speed $n_1 > 1,800$ r/min in M4 mounting position
- ▶ **UNICASE™ Parallel Shaft Gear Units**
 - ▶ SK 0182.1 – SK 1282.1 with ratio $i < 20$ or input speed $n_1 > 1,800$ r/min in M4 mounting position
 - ▶ SK 1282.1 with ratio 4.04, 5.22, 6.38, or input speed $n_1 > 1,800$ r/min in M2 mounting position
 - ▶ SK 4282 – SK 8382 with ratio $i < 20$ or input speed $n_1 > 1,800$ r/min in M4 mounting position
- ▶ **NORDBLOC.1® Helical Bevel Gear Units**
 - ▶ SK 920072.1 – SK 92172.1 with ratio $i < 20$ or input speed $n_1 > 1,800$ r/min in M4 mounting position
- ▶ **UNICASE™ Helical Bevel Gear Units**
 - ▶ SK 9042.1 – SK 9096.1 with ratio $i < 20$ or input speed $n_1 > 1,800$ r/min in M4 mounting position
- ▶ **UNICASE™ Worm Gear Units**
 - ▶ SK 02040.1 with any ratio in M4 mounting position

NORD also recommends the use of the oil expansion chamber for smaller gearbox sizes and other types of gearboxes for ratios $i < 20$ and input speeds $n_1 > 1,800$ r/min in M4 mounting position.



Oil Expansion Chamber (OA) Dimensions

Helical Inline Gear Units	Parallel Shaft Gear Units	Helical Bevel Gear Units	Worm Gear Units	Size	D	H	Weight
SK 071.1 SK 072.1 SK 172.1		SK 920072.1 SK 92072.1	SK 02040.1	OA	65 mm 2.56 in	136 mm 5.35 in	0.25 kg 0.55 lbs
SK 171.1 SK 372.1 SK 373.1 SK 02 SK 12	SK 0182.1 SK 0282.1 SK 1282.1 SK 1382.1 SK 1282 SK 1382	SK 92172.1 SK 9012.1	SK 02050 SK 13050 SK 12063 SK 13063 SK 13080	OB	65 mm 2.56 in	136 mm 5.35 in	0.25 kg 0.55 lbs
SK 371.1 SK 571.1 SK 771.1 SK 871.1 SK 971.1 SK 1071.1 SK 572.1 SK 573.1 SK 672.1 SK 673.1 SK 772.1 SK 773.1 SK 872.1 SK 873.1 SK 972.1 SK 973.1 SK 42 SK 43 SK 52 SK 53 SK 63	SK 2282 SK 2382 SK 3282 SK 3382 SK 4282 SK 4382 SK 5282 SK 5382 SK 6382	SK 92372.1 SK 92672.1 SK 92772.1 SK 9022.1 SK 9032.1 SK 9042.1 SK 9043.1 SK 9052.1 SK 9053.1	SK 12080 SK 32100 SK 33100 SK 42125 SK 43125	I	100 mm 3.94 in	180 mm 7.09 in	5 kg 11 lbs
SK 62 SK 72 SK 73	SK 6282 SK 7282 SK 7382	SK 9072.1 SK 9082.1		II	150 mm 5.91 in	300 mm 11.81 in	6 kg 13 lbs
SK 82 SK 83 SK 92 SK 93 SK 102 SK 103	SK 8282 SK 8382	SK 9086.1 SK 9092.1 SK 9096.1		III	180 mm 7.09 in	300 mm 11.81 in	7 kg 15 lbs

Designs & Options

External Oil Tank (OT)

The external oil tank is located above the gear unit and increases the oil level so that the oil level in the tank is always above that of the gear unit. During operation, all parts are submerged in oil, especially the high-speed gear set, to prevent the formation of oil foam and ensure that all bearings are properly lubricated.

External oil tanks are larger than oil expansion chambers and vented. They have two flexible oil hoses connected to the gear unit to ensure proper ventilation and passive oil circulation.

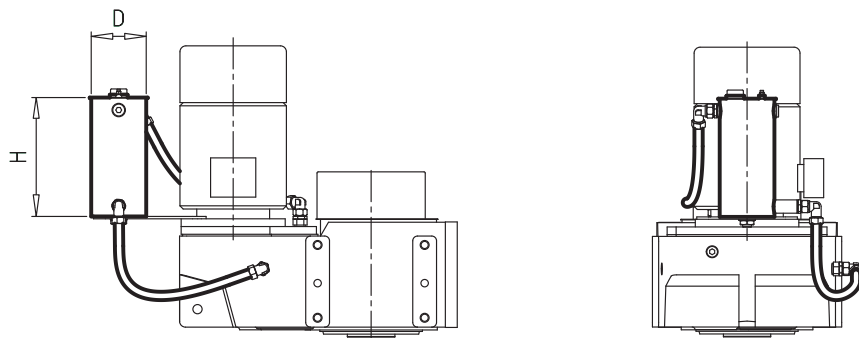
Upon installation, the oil tank must be filled to the level shown on the dipstick located inside the tank. The user is responsible to add this additional oil, however, the oil can be supplied by NORD for an additional charge.

Application considerations

NORD strongly recommends the use of an external oil tank when the following conditions apply:

- ▶ Gear ratios $i \leq 24$ or output speed $n_2 \geq 75$ r/min
- ▶ Installations with motor mounted vertically or when the reducer mounting position is M4
- ▶ Parallel shaft gear units sizes SK 9282 – SK 11382.1 when the reducer mounting position is M4

If no oil reservoir tank is selected, warranty may not be applicable.



Gear Unit	Size	D	H	Additional Oil Quantity	Tank Volume
SK 9282, SK 9382, SK 10382.1	I	185 mm 7.28 in	390 mm 15.35 in	~ 30 L ~ 32 qts	10 L 10.5 qts
SK 11382.1	II	320 mm 12.60 in	390 mm 15.35 in	~ 40 L ~ 42 qts	30 L 32 qts

Input Adapters

NORD's modular design allows for many different types of inputs to be added to gear units. All inputs are bolted on and include machined pilots to ensure fast, accurate assembly.

Solid Input Shaft (W)

Solid input shafts are designed to mount couplings, sheaves, or sprockets which transfer torque from the prime mover. The maximum power for gear units with a solid input shaft is indicated in the output and gear ratio tables.

Automatic lubricators and fans on the input shaft for cooling are available upon request.

Gear units with a solid input shaft must regularly have the input shaft bearing relubricated for two-stage gear units size SK 62 or SK 6282 and larger and for three-stage gear units size SK 73, SK 7382, or SK 9072.1 and larger.

NORD recommends relubricating the outer roller bearing of the input shaft using the grease nipple provided. Reference [manual B1000](#) for further instruction.

Contact NORD if there is radial load on the input shaft or for speeds greater than those stated in the power and ratio tables as special measures may be necessary.

Radial load

Backstop (RLS)

A backstop can be mounted directly on the shaft between the bearing on AI160 – AI315 and AN250TC – AN400TC.

Regreasing of Bearings (BRG1)

Option BRG1 is an open bearing that can be greased by hand and available for AI and AN adapters. The relubrication point and inspection opening are located under the inspection cover. The gear unit seal is located between the bearings.

The maximum permissible motor speed with option BRG1 is limited to 1,800 r/min.

Please note that the standard bearing version is already lubricated and manual relubrication is not possible. NORD recommends using the already lubricated standard version.

Lubrication

Designs & Options

IEC and NEMA Adapters

IEC and NEMA motor adapters allow for easy installation and removal of industry standard IEC and NEMA motors. These adapters have an additional shaft coupling and bearing seats in contrast to directly mounted motors, resulting in greater no-load losses. NORD recommends direct mounting of the motor as this not only provides technical advantages, but also offers price advantages. For gear units with IEC adapters, the standard power for each size according to DIN EN 50347 applies, but will not exceed the maximum power specified in the output and gear ratio tables.

Permissible Motor Weights for IEC Adapters

IEC Size		63	71	80	90	100	112	132	160	180	200	225	250	280	315
Max Weight	[kg]	25	30	50	50	80	80	100	250	250	350	500	1000	1000	1500
	[lbs]	55	66	110	110	176	176	220	551	551	772	1102	2205	2205	3307
SK 32, SK 3282, SK 9032.1, SK 32100, SK 772.1, SK 773.1						100 kg 220 lbs	100 kg 220 lbs								
SK 42, SK 4282, SK 9042.1, SK 42125						100 kg 220 lbs	100 kg 220 lbs	130 kg 287 lbs	200 kg 441 lbs						
SK 52, SK 63, SK 5282, SK 6382, SK 9052.1, SK 872.1, SK 873.1, SK 972.1, SK 973.1						100 kg 220 lbs	100 kg 220 lbs	130 kg 287 lbs							
SK 62, SK 73, SK 83, SK 6282, SK 7382, SK 8382, SK 9072.1						100 kg 220 lbs	100 kg 220 lbs	130 kg 287 lbs							
SK 72, SK 82, SK 93, SK 103, SK 7282, SK 8282, SK 9382, SK 10382.1, SK 9082.1, SK 9086.1, SK 9092.1, SK 9096.1								130 kg 287 lbs							
SK 920072.1, SK 92072.1, SK 0, SK 071.1, SK 0182.1, SK 930072.1, SK 93072.1, SK 93372.1				40 kg 88 lbs											
SK 1382NB, SK 1382.1, SK 92372, SK 92372.1, SK 12063, SK 372.1, SK 371.1, SK 1382.1 GJL						60 kg 132 lbs									
SK 971.1*											250 kg 552 lbs				
SK 1071.1†												350 kg 772 lbs			

* For motor size 200, the maximum motor weight in mounting positions M1, M2, M4 and M6 is 350 kg / 772 lbs. For all other mounting positions, the value in the table applies.

† For motor size 250, the maximum motor weight in mounting positions M1, M2, M4, M5 and M6 is 500 kg / 1102 lbs. For all other mounting positions, the value in the table above applies.

Permissible Motor Weights for NEMA Adapters

NEMA Size		56C	140TC	180TC	210TC	250TC	280TC	320TC	360TC	400TC
Max Weight	[kg]	30	50	80	100	200	250	350	700	700
	[lbs]	66	110	176	220	441	551	772	1543	1543
SK 62, SK 72, SK 73, SK 83, SK 93, SK 9072.1, SK 6282, SK 7282, SK 7382, SK 8382, SK 9382									500 kg 1102 lbs	500 kg 1102 lbs

The coupling for adapter sizes IEC 63 – 132 and NEMA 56C – 210TC are not fail-safe. With hoists, lifts, and other applications where there is a danger of personal injury, special measures are required. Contact NORD for more information.

IEC-K, NEMA-K

IEC and NEMA motor adapters feature a cantilever shaft bearing design. For some of the NORDBLOC.1® gear units, NORD offers a slightly shorter motor adapter with a counter bearing shaft design.

Couplings

Couplings are made with tough abrasion-resistant materials to protect against most chemicals and petroleum products. They are electrically isolated (preventing metal-to-metal contact) and require no lubrication. Depending on the size of the motor adapter, NORD provides either a gear or jaw type coupling.

Gear Couplings

Gear couplings are used with IEC63 – IEC132 adapters and N56C – N210TC adapters. They provide a lightweight, space saving design, yield low inertia, and use blind assembly to slip components together – making inspection easy without disassembly.

NORD incorporates two styles of gear couplings, the “J” and “M” styles. The “J” style is a one-piece coupling consisting of a nylon sleeve and metal hub that are fused together. The “M” style is a two-piece coupling consisting of a separate nylon sleeve and metal hub.

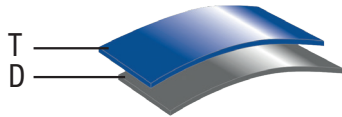
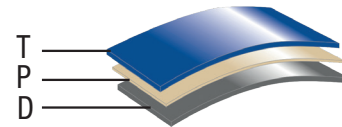
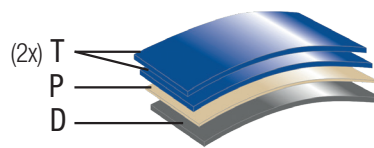
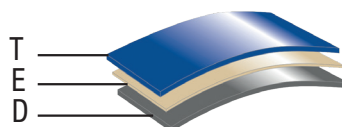
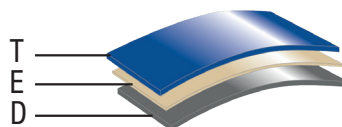
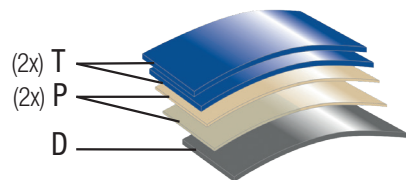
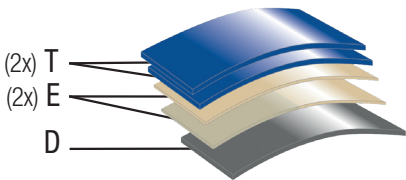
Jaw Couplings

Jaw couplings are used with IEC adapters AI160 and larger as well as with NEMA adapters AN250TC and larger. The cast iron jaw type couplings have a urethane “spider” that provides smooth transmission of the motor torque and has excellent shock and vibration dampening characteristics. A set screw on the coupling prohibits axial movement along the motor shaft.

IEC Adapter	NEMA Adapter	Coupling Description	Max Torque Capacity [Nm]	Max Torque Capacity [in-lb]
IEC63	N56C	J14	20	177
IEC71				
IEC80	N56C	J24	40	354
IEC90	N140TC			
IEC100	N180TC	J28 / M38	90	797
IEC112				
IEC132	N180TC2	M38	160	1416
	N210TC			
AI160	AN250TC	R42	900	7965
AI180	AN280TC	R48	1050	9293
AI200	AN320TC	R55	1370	12125
AI225	AN360TC	R65	1880	16638
AI250	AN360TC	R75	3840	33984
AI280	AN400TC			33984
AI315				R90

Surface Protection

Painting

Coating / Field of Application		Class *	Structure
Basic Indoor installation: Unheated buildings where condensation may occur (warehouses, etc...)		C2	
NORD Severe Duty 2 (NSD2) Indoor installation: Unheated buildings where condensation may occur (warehouses, etc...) Outdoor installation: Atmosphere with low pollution level, mostly rural areas		C2	
NORD Severe Duty 3 (NSD3) Indoor installation: Production rooms with high humidity and increased levels of air pollution, e.g. laundries, breweries, dairies Outdoor installation: Urban and industrial atmosphere with moderate sulfur dioxide pollution and/or coastal atmosphere with low salinity		C3	
NORD Severe Chem Duty 3 (NSDC3) Indoor installation: Production rooms with high humidity and increased levels of chemical air pollution		C3	
NORD Severe Food Duty 3 (NSDF3) Indoor installation: Production rooms with high humidity and increased levels of air pollution, e.g. food packaging		C3	
NORD Severe Duty 4 (NSD4) Indoor installation: Chemical plants, swimming pools, offshore shipyards, and boat harbors Outdoor installation: Industrial or coastal atmosphere with moderate salinity		C4	
NORD Severe Duty 5 (NSD5) Indoor installation: Buildings or areas with near-permanent condensation and high levels of pollution Outdoor installation: Industrial areas with high humidity, aggressive environments, or coastal atmosphere with high salinity		C5	
Z	Leveling of contour recesses and gaps with polyurethane-based sealant possible for NSD2, NSD3, and NSD4; included in NSD5	T	2-Component Polyurethane Top Coat
ZN	Zinc and copper free coating	E	2-Component EP Zinc Phosphate Primer
D	Single Component Dip Primer (cast-iron units only)	P	2-Component Polyurethane Primer

* Comparable to DIN EN ISO 12944-2 classification of ambient conditions
 Protocol of the coating thickness based on ISO 19840 available on request

Selecting a Suitable Gear Unit

The selection of a gear unit assumes the use of NORD 3-phase asynchronous AC-motors or single-phase AC-motors but can also be applied to technically comparable motors. For the use of other motors, e.g., servo motors, please contact NORD.

The following instructions on the selection of gear units must be strictly followed to prevent overloading of the drive. Failure to observe these guidelines will void the warranty.

If you are unsure how to proceed, contact NORD so we can evaluate the gear unit design with you.

Selection Criteria:

1. Mechanical Transmittable Power (P)

This is considered by the service factor f_b in the relevant table in the catalog. The following pages describe how to determine the service factor required.


2. Thermal Power Limit

Must not be exceeded over long periods (3 hours or more) so that the gear unit does not overheat. For the following larger gear units, the thermal transmittable power may represent a limit:

- ▶ 2-stage gear units from size SK 62, SK 6282, and SK 9x672.1
- ▶ 3-stage gear units from size SK 73, SK 7382, and SK 9072.1

We recommend consultation with NORD and precise examination of the application if two or more of the following points apply:

Special installation conditions

- ▶ Vertical installation (installation position M2 or M4, ⇔  A68)
- ▶ IEC or NEMA motor mounting or W free drive shaft
- ▶ Drive power $P_1 > 100 \text{ kW @ } 50 \text{ Hz}$ or $60 \text{ hp @ } 60 \text{ Hz}$
- ▶ Ratio $i_{\text{total}} < 20$ (for bevel gears $i_{\text{total}} > 40$)
- ▶ Input speed $n_1 > 1500 \text{ r/min}$
- ▶ High ambient temperature $> 40^\circ\text{C}$ (104°F)
- ▶ Installation height $> 1,000\text{m} / 3,280 \text{ ft}$

In general, contact NORD if there are special installation conditions such as enclosing of the gear unit, heat radiation, installation in confined spaces, etc. as special measures are available to prevent thermal overload (oil coolers, etc.).

Input Power and Service Factor

The required drive power for each application is determined by measurement or calculation, and therefore, the rated power of the motor (P_r) must be selected accordingly. It is normally slightly higher than the required power since safety factors for special operating conditions of the specific application must be observed. Brief, infrequent torque impulses do not need to be considered when selecting the rated power of a 3-phase AC motor. When operating a 3-phase AC motor on a frequency inverter, additional factors influence the selection of the rated output; in this case, please make a detailed inquiry.

In contrast to the motor, short-term, infrequent torque impulses can significantly influence the selection of the gear unit.

Minimum service factor f_{Bmin}

The gear unit service factor (f_b) takes into account different situational effects on the gear unit and defines a performance safety margin to help ensure long-lasting, trouble-free operation. Diagram 1 shows the required minimum service factor (f_{Bmin}) depending on the daily operational time, the number of switching cycles (Z), and the application load classification A, B, or C.

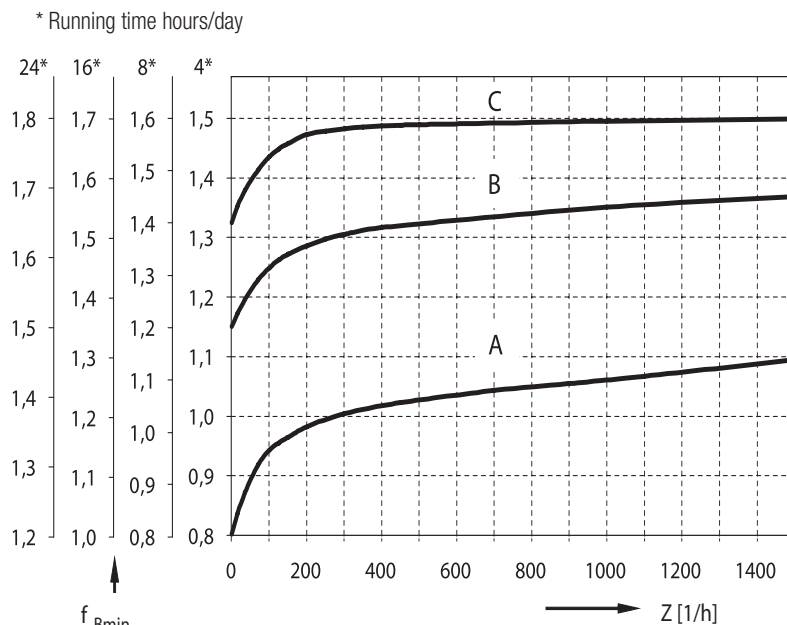


Diagram 1: Minimum service factor f_{Bmin}

Mass acceleration factor

Depending on the uniformity of operation and the mass acceleration factor, a distinction is made between three load classifications (⇒ A51).

Classification of uniformity of operation

While impacts from the machine that is being driven are described in the classification of uniformity of operation, the mass acceleration factor determines the load peaks on switching. The following list of typical application examples takes into consideration a considerable amount of experience in the classification of uniformity of operation.

Classification of Uniformity of Operation

A) Uniform operation, almost shock free:

Light screw conveyors, fans, assembly belts, light conveyor belts, small agitators, elevators, cleaning machines, filling machines, controlling machines, and belt conveyors.

B) Non-uniform operation, moderate shocks:

Decoilers, feed drives for wood processing machines, hoists, balancing machines, tapping units, heavy conveyors, belts, winches, sliding doors, dung removal machines, packaging machines, cement mixers, crane traveling mechanisms, mills, bending machines, and gear pumps.

C) Extremely non-uniform operation, heavy shocks:

Agitators, mixers, shears, presses, centrifuges, rolling stands, heavy winches, lifts, grinding mills, stone crushers, bucket elevators, punching machines, hammer mills, eccentric presses, roller tables, tumbling barrels, folding machines, shredders, choppers, and vibrators.

The load classification results from the uniformity of operation and from the mass acceleration factor (m_{af}) according to the following table. Here, the load classification from either the operation or the mass acceleration factor applies, whichever is higher.

Load classification

Example: non-uniform operation and $m_{af} = 0.2$ results in load classification B

Load Classification	Operation	Mass Acceleration Factor: m_{af}
A	Uniform operation	$m_{af} \leq 0.25$
B	Non-uniform operation	$0.25 < m_{af} \leq 3$
C	Extremely non-uniform operation	$3 < m_{af} \leq 10$

Mass Acceleration Factor (m_{af}) Formula:

$$m_{af} = \frac{J_{ex,red.}}{J_{mot}} = \frac{J_{ex}}{J_{mot}} \times \left(\frac{1}{i_{total}} \right)^2$$

- ▶ J_{ex} All external moments of inertia
- ▶ $J_{ex,red.}$ All external moments of inertia reduced to the drive motor
- ▶ J_{mot} Moment of inertia of the motor
- ▶ i_{total} Gear ratio

Mass acceleration factor m_{af}

The mass acceleration factor m_{af} represents the relationship between the masses on the external output side and on the high-speed input side. The mass acceleration factor significantly influences the level of torque impulses in the gear unit during startup, as well as with braking procedures and vibration. The external mass moments of inertia also include the load such as the material transported on conveyor belts.

Contact NORD if $m_{af} > 10$, if there is large play in transfer elements, vibration in the system, or ambiguity regarding the load classification.

Service factor f_B

The service factor (f_B) of the gear unit for the relevant speed is listed in the overview of powers and speeds. Service factor is the relationship between the maximum output torque of the gear unit ($M_{2,max}$) and the output torque (M_2) resulting from the installed motor power (P_1), output speed (n_2), and the efficiency of the gear unit.

Metric Formulas (P_1 [kW], n_2 [r/min], M_2 [Nm]):

$$M_2 = \frac{9550 \times P_1 \times \eta}{n_2} \text{ [Nm]} \quad P_1 = \frac{M_2 \times n_2}{\eta \times 9550} \text{ [kW]}$$

Imperial Formulas (P_1 [hp], n_2 [r/min], M_2 [lb-in]):

$$M_2 = \frac{63025 \times P_1 \times \eta}{n_2} \text{ [lb-in]} \quad P_1 = \frac{M_2 \times n_2}{\eta \times 63025} \text{ [hp]}$$

Service Factor Formula:

$$f_B = \frac{M_{2,max}}{M_2}$$

The service factor of a unit should be equal to or greater than the values according to Diagram 1.

Helical, parallel shaft, and bevel gear units have a very high level of efficiency and the simplified gear unit efficiency $\eta = 1.0$ typically produces accurate results.

For solid input shaft gear units with free drive shafts, the drive output (P_1) can be determined by the following:

Metric Formulas (P_1 [kW], n_2 [r/min], M_2 [Nm]):

$$P_1 = \frac{M_{2,max} \times n_2}{\eta \times 9550 \times f_{B,min}} \text{ [kW]}$$

Imperial Formulas (P_1 [hp], n_2 [r/min], M_2 [lb-in]):

$$P_1 = \frac{M_{2,max} \times n_2}{\eta \times 63025 \times f_{B,min}} \text{ [hp]}$$

Gear unit with free drive shaft, type W

The following power and gear ratio tables list the relevant output speed (n_2), the maximum output torque of the gear unit ($M_{2,max}$) and the maximum motor power ($P_{1,max}$).

With brakes attached to the drive side, e.g., braking motors, the brake torque must also be considered when selecting a gear unit. For applications with a high external moment of inertia ($m_{af} > 2$), such as traveling drives, slewing gears, turntables, gate drives, agitators, and surface ventilators, it is recommended that brake torque does not exceed 1.2 times the nominal torque of the motor. If higher brake torques are to be used, this should be considered in the selection of the gear unit.

Brake torque

Energy-saving motors with the classification IE3 have higher breakdown torques and performance reserves. They may also provide a permanent impermissible power if required by the application and not limited electrically.

Multi-start worms should be used to reduce the possibility of self-locking in applications where torque impulses, backward output torques, or large mass acceleration factors can occur.

Worm gear units

The number of worm threads (z_1) is listed in the output and gear ratio tables. Generally:

- ▶ $m_{af} \leq 0.25$ All numbers of worm threads possible
- ▶ $0.25 < m_{af} \leq 3.00$ Worm threads $z_1 \geq 3$ recommended
- ▶ $3.00 < m_{af} \leq 10.00$ Worm threads $z_1 \geq 6$ recommended

When selecting worm gear units, the following must be considered: the service factor $f_{B,min}$ from diagram 1 (⇒ [A50](#)), the service factor f_{B1} for the ambient temperature (T_U), and the service factor f_{B2} for the duration of switch-on per hour (ED). Factors f_{B1} and f_{B2} can be obtained from diagrams 2 and 3.

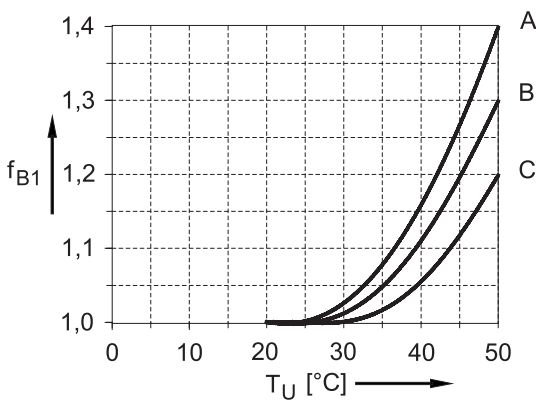


Diagram 2: Service factor f_{B1}

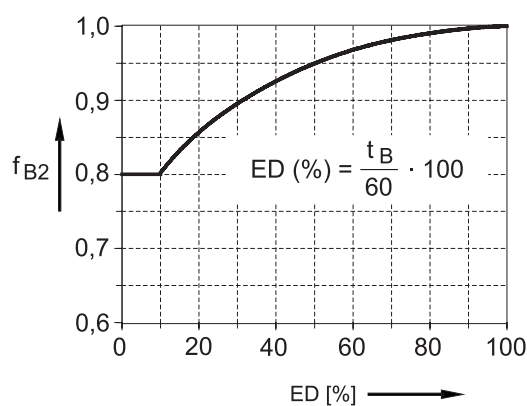


Diagram 3: Service factor f_{B2}
 ED = Duration of switch-on
 t_b = Load time in min/h

Gear unit with free drive shaft, type W

The service factor should be equal to or greater than $f_{B,min}$ combined with f_{B1} and f_{B2} .

With type W worm gear units (with free drive shafts), the installed drive output P_1 must not exceed:

Metric Formula ($M_{2,max}$ [Nm], n_2 [r/min]):

$$P_1 = \frac{M_{2,max} \times n_2}{9550 \times f_{B,min} \times f_{B1} \times f_{B2} \times \eta} \text{ [kW]}$$

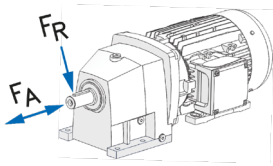
Imperial Formula ($M_{2,max}$ [lb-in], n_2 [r/min]):

$$P_1 = \frac{M_{2,max} \times n_2}{63025 \times f_{B,min} \times f_{B1} \times f_{B2} \times \eta} \text{ [hp]}$$

For the relevant output speed (n_2), the power and gear ratio tables contain:

- ▶ The maximum gear unit output torque $M_{2,max}$
- ▶ The efficiency of the gear unit
- ▶ The maximum motor power $P_{1,max}$

Radial Forces (F_R) and Axial Forces (F_A)



The output and speed overview tables list the permitted radial forces (F_R) and axial forces (F_A) that can be applied to the output shaft.

Radial forces are forces applied at the midpoint of the shaft. Permissible radial forces are determined by evaluating the least favorable direction of force and rotation. Higher radial and axial forces may be possible – for a precise calculation, please state the actual direction of the force and the rotation as well as the required operating life.

The forces stated in the overview tables for power and speed are based on a service factor for the radial and axial forces $f_{tB}=1$.


Transfer elements

For abrupt applied forces and long running periods (> 8 hours/day) a service factor greater than 1.00 is recommended for the radial and axial forces. If transfer elements are attached to the output shaft, a corresponding factor (f_z) should be considered in determining the radial force.

Transfer Elements	f_z	Notes
Gear wheels	1.1	$z \leq 17$ teeth
Chain wheels	1.4	$z \leq 13$ teeth
Chain wheels	1.2	$z \leq 20$ teeth
Chain wheels	1.0	$z > 20$ teeth
Narrow V-belt pulley	1.7	By pretensioning force
Flat belt pulley	2.5	

The radial and axial forces with reinforced bearings are identified with VL in the tables. The forces listed apply for foot and flange mounted gear units with solid shafts and refer to cases where the radial and axial forces are not applied simultaneously. If radial and axial forces apply simultaneously for your application, contact NORD to ensure proper calculations and measures are in place.

Reinforced bearings

Many gear unit types are optionally available with reinforced output shaft bearings (VL) for larger load tolerances. These versions include stronger roller bearings and a higher quality of steel for the output shaft. VL2/VL3 reinforced bearings are additionally available for parallel shaft gear units and bevel gear units and are especially suitable for agitators. ⇒  A25 for more information.

For larger parallel shaft gear units, sizes SK 10382.1 and above, as well as for bevel gear units sizes SK 9052.1 and above, the normal bearings for the output shaft are heavy-duty tapered roller bearings. For these gear unit types, VL versions with spherical roller bearings on the output side provide reinforcement for large radial forces – normal bearings with tapered roller bearings should be selected if high axial forces need to be absorbed instead of large radial forces.

Larger radial and axial forces

The output bearings of hollow shaft gear units are designed to absorb the reaction forces from torque arms or torque brackets. If larger forces will be applied to the shaft, special measures may be necessary.

The radial force on the output shaft is determined as follows:

Radial force factor

$$F_{R,pres} = \frac{2 \times M_2}{d_o} \times f_z \leq F_R$$

- ▶ $F_{R,pres}$ Radial force on gear unit output shaft [kN]
- ▶ F_R Permissible radial force according to speed and power tables [kN]
- ▶ M_2 Gear unit output torque [Nm]
- ▶ f_z Radial force factor from the table
- ▶ d_o Effective diameter of the transfer element [mm]

Standard Solid Shaft Dimensions

NORDBLOC.1® Helical Inline Gear Units

Gear Unit	[mm]	[in]
SK 071.1	15 x 30	0.500 x 1.120
	20 x 40	0.625 x 1.875 N56C
SK 072.1	20 x 40	0.750 x 1.580
SK 171.1	20 x 40	0.625 x 1.875 N56C
	25 x 50	0.750 x 1.580
		0.875 x 2.250 N140TC
SK 172.1	20 x 40	0.750 x 1.580
SK 371.1	25 x 50	0.875 x 2.250 N140TC
	30 x 60	1.000 x 1.970
		1.125 x 2.750 N180TC
SK 372.1	25 x 50	1.000 x 1.970
SK 571.1	30 x 60	1.125 x 2.750 N180TC
	35 x 75	1.250 x 2.360
		1.375 x 3.375 N210TC
SK 572.1	30 x 60	1.250 x 2.360
	35 x 75	1.375 x 2.750
SK 672.1	35 x 70	1.375 x 2.750
SK 771.1	40 x 80	1.375 x 3.375 N210TC
		1.625 x 3.150
		1.625 x 4.000 N250TC
SK 772.1	40 x 80	1.625 x 3.150
SK 871.1	35 x 70	1.375 x 2.750
	40 x 80	1.625 x 3.150
SK 872.1	50 x 100	2.125 x 3.940
SK 971.1	40 x 80	1.625 x 3.150
	50 x 100	2.125 x 3.940
SK 972.1	60 x 120	2.375 x 4.720
SK 1071.1	60 x 120	2.375 x 4.720

UNICASE™ Helical Inline Gear Units

Gear Unit	[mm]	[in]
SK 02	20 x 40	0.750 x 1.500
SK 12	25 x 50	1.000 x 2.130
SK 22	30 x 60	1.250 x 2.750
SK 32	40 x 80	1.625 x 3.250
SK 42	45 x 90	1.875 x 3.500
SK 52	55 x 110	2.250 x 4.000
SK 62	65 x 130	2.500 x 5.000
SK 72	75 x 140	3.000 x 5.500
SK 82	90 x 170	3.500 x 6.750
SK 92	110 x 210	4.250 x 8.500
SK 102	130 x 250	5.250 x 10.000

UNICASE™ Parallel Shaft Gear Units

Gear Unit	[mm]	[in]
SK 0182.1	25 x 50	0.750 x 1.500
SK 0282.1	25 x 50	1.000 x 2.130
SK 1282	30 x 60	1.250 x 2.750
SK 1282.1	30 x 60	1.250 x 2.750
SK 2282	35 x 70	1.375 x 2.750
SK 3282	45 x 90	1.875 x 3.500
SK 4282	55 x 110	2.250 x 4.000
SK 5282	65 x 130	2.500 x 5.000
SK 6282	75 x 140	3.000 x 5.500
SK 7282	90 x 170	3.500 x 6.750
SK 8282	110 x 210	4.250 x 8.500
SK 9282	140 x 250	5.250 x 9.840
SK 10382.1	160 x 300	6.250 x 11.810
SK 11382.1	180 x 300	7.000 x 11.810

UNICASE™ Helical Bevel Gear Units

Gear Unit	[mm]	[in]
SK 9012.1	30 x 60	1.250 x 2.360
	35 x 70	
SK 9016.1	35 x 70	1.375 x 2.750
SK 9022.1	35 x 70	1.375 x 2.750
SK 9032.1	45 x 90	1.750 x 3.540
SK 9042.1	60 x 120	2.375 x 4.720
SK 9052.1	70 x 140	2.875 x 5.510
SK 9072.1	90 x 170	3.625 x 6.690
SK 9082.1	110 x 210	4.375 x 8.270
SK 9086.1	120 x 210	4.750 x 8.270
SK 9092.1	140 x 250	5.500 x 9.840
SK 9096.1	190 x 320	7.500 x 12.600

NORDBLOC.1® Helical Bevel Gear Units

Gear Unit	[mm]	[in]
SK 9x0072.1	20 x 40	0.750 x 1.500
SK 9x072.1	20 x 40	0.750 x 1.500
	25 x 50	
SK 9x172.1	20 x 40	0.750 x 1.500
	25 x 50	
SK 9x372.1	25 x 50	1.000 x 2.130
	30 x 60	1.250 x 2.750
SK 9x672.1	30 x 60	1.250 x 2.750
	35 x 70	
SK 9x772.1	35 x 70	1.375 x 3.000
	40 x 80	

UNIVERSAL SI / SMI Worm Gear Units

Gear Unit	[mm]	[in]
SK 1S(M)I31	14 x 30	0.500 x 1.120
SK 1S(M)I40	18 x 40	0.750 x 1.500
	20 x 40	
SK 1S(M)I50	20 x 40	1.000 x 2.000
	25 x 50	
SK 1S(M)I63	25 x 50	1.250 x 2.750
SK 1S(M)I75	35 x 70	1.375 x 2.750

UNICASE™ Worm Gear Units

Gear Unit	[mm]	[in]
SK 02040.1	20 x 40	0.750 x 1.580
SK 02050	25 x 50	1.000 x 2.130
SK 12063	30 x 60	1.250 x 2.750
SK 12080	35 x 70	1.375 x 2.750
SK 32100	45 x 90	1.750 x 3.500
		1.875 x 3.500
SK 42125	60 x 120	2.375 x 4.500

Standard Hollow Shaft Dimensions

UNICASE™ Parallel Shaft Gear Units

Gear Unit	[mm]	[in]
SK 0182.1	25	0.500
		0.750
		1.000
SK 0282.1	25	0.750
		1.000
		1.1875
		1.250
SK 1282.1	30	0.750
		1.000
		1.1875
		1.250
		1.375
SK 1282	30	0.750
		1.000
		1.1875
		1.250
		1.4375
SK 2282	35	1.250
		1.375
		1.4375
		1.500
		1.625
SK 3282	40	1.4375
		1.500
		1.625
		1.875
		2.000
SK 4282	50	1.6875
		1.9375
		2.000
		2.0625
		2.375
SK 5282	60	2.1875
		2.375
		2.4375
		2.750
SK 6282	70	2.4375
		2.750
		2.9375
		3.250
SK 7282	80	2.9375
		3.1875
		3.250
		3.4375
SK 8282	100	3.4375
		3.9375
		4.000
		4.063

Gear Unit	[mm]	[in]
SK 9282	120	4.4375
		4.750
		4.9375
SK 10382.1	160	6.250
SK 11382.1	180	6.500

UNICASE™ Helical Bevel Gear Units

Gear Unit	[mm]	[in]
SK 9012.1	35	1.250
		1.375
		1.4375
SK 9016.1	35	1.250
		1.375
		1.4375
		1.500
SK 9022.1	40	1.4375
		1.500
		1.6875
SK 9032.1	50	1.6875
		1.9375
		2.000
SK 9042.1	60	2.1875
		2.375
		2.4375
SK 9052.1	60	2.375
		2.4375
		2.750
SK 9072.1	70	2.750
		2.9375
		3.250
		3.4375
		3.625
		3.9375
SK 9082.1	110	3.9375
		4.000
		4.4375
SK 9086.1	120	4.500
		4.750
		5.500
SK 9092.1	150	5.500
SK 9096.1	160	6.000

NORDBLOC.1® Helical Bevel Gear Units

Gear Unit	[mm]	[in]
SK 9x0072.1	20	0.750
SK 9x072.1	20	0.500
	25	0.750
SK 9x172.1	20	0.750
	25	1.000
	30	
SK 9x372.1	25	1.1875
	30	1.250
	35	1.4375
	40	1.500
SK 9x672.1	30	1.375
	35	1.4375
	40	1.500
SK 9x772.1	40	1.4375
	45	1.500
	50	
	55	

UNIVERSAL SI / SMI Worm Gear Units

Gear Unit	[mm]	[in]
SK 1S(M)I31	14	0.500
	16	0.625
SK 1S(M)I40	18	0.750
	20	1.000
SK 1S(M)I50	20	1.000
	25	1.125
SK 1S(M)I63	25	1.1875
	30	1.250
		1.4375
SK 1S(M)I75	35	1.9375

UNICASE™ Worm Gear Units

Gear Unit	[mm]	[in]
SK 02040.1	20	0.750
		1.000
SK 02050	25	1.000
	30	1.1875
		1.250
SK 12063		1.250
	30	1.375
	35	1.4375
SK 12080	40	1.4375
	45	1.500
		1.750
		1.8125
SK 32100	50	2.000
	60	2.375
		2.4375
SK 42125	60	2.375
	70	2.750
		2.9375

Tolerances

Solid Shafts	Hollow Shafts	Customer Shafts
<p>Solid Shaft tolerances (DIN 748) ISO k6: 14 – 50 mm ISO m6: > 50 mm:</p>	<p>Hollow shaft tolerances (DIN 748) ISO H7</p>	<p>Tolerance of customer shaft journal as per ISO h6 with load classification “C” as per ISO k6 L = Length of plug-in shaft</p> <p>DIN 5480 recommended fit 8f</p> <p>Tolerance of customer’s shaft journal with shrink disc as per ISO h6 or f6</p>
<p>Threaded holes according to DIN 332, Sheet 2: M3: 7 – 10mm M4: > 10 – 13mm M5: > 13 – 16mm M6: > 16 – 21mm M8: > 21 – 24mm M10: > 24 – 30mm M12: > 30 – 38mm M16: > 38 – 50mm M20: > 50 – 85mm M24: > 85 – 130mm M30: > 130 – 155mm M36: > 155 – 225mm M48: > 225 – 320mm</p>	<p>Splined hub section DIN 5480 9H</p>	
<p>Parallel keys according to DIN 6885, sheets 1 and 3</p>	<p>Parallel keys according to DIN 6885, sheets 1 and 3</p>	<p>Parallel keys according to DIN 6885, sheets 1 and 3</p>
<p>SK 9016.1 SK 9017.1</p>	<p>Hollow shaft with groove according to DIN 6885, sheet 3</p>	
Frame Size	Flanges	Castings
<p>Shaft height “h” according to DIN 747</p>	<p>Tolerance of hole circle diameter (DIN 42 948)</p>	<p>Tolerance of hole circle diameter (DIN 42 948)</p>
	<p>Tolerance of flange centering diameter (DIN 42 948) ISO j6: ≤ 230mm ISO h6: > 230mm</p>	<p>Tolerance of flange centering according to ISO H7 ** IEC preferred series: Marked in blue in dimension tables</p>
<p>Brake motor dimensions: g1Bre kBre k1Bre k2Bre mBre nBre pBre qABre</p>	<p>Some motor dimensions may change under certain circumstances.</p> <p>Threads: The fastening thread for use by the customer in cast components (housing / IEC attachment adapter, servo, WO... WV / Motor brackets MK) is a standard thread in accordance with DIN 13-1.</p>	<p>Tolerances on the machined connection surfaces (foot surfaces, flange surfaces) are according to dimension drawing or 3D model. Tolerances on the unmachined housing surfaces are based on manufacturing-related fluctuations due to shrinkage, drafts, different manufacturing technologies, etc. Depending on the component size, these tolerances range from DCTG 9-12 according to ISO8062-3.</p> <p>Caution: If the drive is to be used in tight, restricted installation space, the tolerances of the unmachined housing surfaces must be considered by providing sufficient distances from the enveloping contour!</p>

Solid Shaft Diameter Tolerances (mm)

Above	To & Including	Shaft Tolerance (DIN 6885, m6)
10	18	+0.012 / +0.001
18	30	+0.015 / +0.002
30	50	+0.018 / +0.002
50	80	+0.030 / +0.011
80	120	+0.035 / +0.013
120	180	+0.040 / +0.015
180	190	+0.046 / +0.017

Solid Shaft Diameter Tolerances (in)

Above	To & Including	Shaft Tolerance (AGMA/ANSI 9002-BOX)
0.375	1.750	+0.0000 / -0.0005
1.750	7.500	+0.0000 / -0.0010

Keyed Hollow Bore Tolerances (mm)

Above	To & Including	Bore Tolerance (ISO 286-2, H7)
10	18	+0.018 / -0.000
18	30	+0.021 / -0.000
30	50	+0.025 / -0.000
50	80	+0.030 / -0.000
80	120	+0.035 / -0.000
120	180	+0.040 / -0.000
180	190	+0.035 / -0.000

Keyed Hollow Bore Tolerances (in)

Above	To & Including	Bore Tolerance (AGMA 9002-A86)
0.4375	1.6250	+0.0010 / -0.0000
1.6250	3.2500	+0.0012 / -0.0000
3.2500	7.0000	+0.0014 / -0.0000

Flange Pilot (AK or AK1) Tolerance (mm)

Diameter Above	Diameter To & Including	Pilot Tolerance (ISO 286-2)	Fit Class (ISO 286-2)
50	80	+0.012 / -0.007	j6
80	120	+0.013 / -0.009	j6
120	180	+0.014 / -0.011	j6
180	230	+0.016 / -0.013	j6
230	250	+0.000 / -0.029	h6
250	315	+0.000 / -0.032	h6
315	400	+0.000 / -0.036	h6
400	500	+0.000 / -0.040	h6

Flange Pilot (AK or AK1) Tolerance (in)

Diameter Above	Diameter To & Including	Pilot Tolerance (ISO 286-2)	Fit Class (ISO 286-2)
1.969	3.150	+0.0005 / -0.0003	j6
3.150	4.724	+0.0005 / -0.0004	j6
4.724	7.087	+0.0006 / -0.0004	j6
7.087	9.055	+0.0006 / -0.0005	j6
9.055	9.843	+0.0000 / -0.0011	h6
9.843	12.402	+0.0000 / -0.0013	h6
12.402	15.748	+0.0000 / -0.0014	h6
15.748	19.685	+0.0000 / -0.0016	h6

Casting surfaces may differ slightly from the specified nominal dimensions as a result of the manufacturing process.

Suggested Solid Shaft Tolerances for Keyed Hollow Bore (mm)

Above	To & Including	Uniform Load (ISO 286-2, h6)	Shock Load (ISO 282-2, k6)
10	18	+0.000 / -0.011	+0.012 / +0.001
18	30	+0.000 / -0.013	+0.015 / +0.002
30	50	+0.000 / -0.016	+0.018 / +0.002
50	80	+0.000 / -0.019	+0.021 / +0.002
80	120	+0.000 / -0.022	+0.025 / +0.003
120	180	+0.000 / -0.025	+0.028 / +0.003
180	190	+0.000 / -0.029	+0.033 / +0.004

Suggested Solid Shaft Tolerances for Keyed Hollow Bore (in)

Above	To & Including	Uniform Load (ISO 286-2, h6)	Shock Load (ISO 282-2, k6)
0.4375	0.8750	+0.0000 / -0.0005	+0.0000 / -0.0005
0.8750	4.5000	+0.0000 / -0.0010	+0.0000 / -0.0010
4.5000	7.0000	+0.0000 / -0.0012	+0.0000 / -0.0015

Customer Shaft Diameter Tolerance with Shrink Disc (mm)

Diameter Above	Diameter To & Including	Shaft Tolerance (ISO 286-2, h6)	Bore Tolerance (ISO 282-2, H7)
10	18	+0.000 / -0.011	+0.018 / -0.000
18	30	+0.000 / -0.013	+0.021 / -0.000
30	50	+0.000 / -0.016	+0.025 / -0.000
50	80	+0.000 / -0.019	+0.030 / -0.000
80	120	+0.000 / -0.022	+0.035 / -0.000
120	180	+0.000 / -0.025	+0.040 / -0.000
180	190	+0.000 / -0.029	+0.046 / -0.000

Customer Shaft Diameter Tolerance with Shrink Disc (in)

Diameter Above	Diameter To & Including	Shaft Tolerance (ISO 286-2, h6)	Bore Tolerance (ISO 282-2, H7)
0.4375	0.6875	+0.0000 / -0.0004	+0.0007 / -0.0000
0.7500	1.1250	+0.0000 / -0.0005	+0.0008 / -0.0000
1.1250	1.9375	+0.0000 / -0.0006	+0.0009 / -0.0000
2.0000	3.1250	+0.0000 / -0.0007	+0.0011 / -0.0000
3.1875	4.6875	+0.0000 / -0.0008	+0.0013 / -0.0000
4.7500	7.0625	+0.0000 / -0.0009	+0.0015 / -0.0000
7.1250	7.5000	+0.0000 / -0.0011	+0.0018 / -0.0000

Solid Shaft Drill & Tap Shaft End - Threaded Holes (mm)

Above	To & Including	Dimensions
10	13	M4 x 10
13	16	M5 x 12.5
16	21	M6 x 16
21	24	M8 x 19
24	30	M10 x 22
30	38	M12 x 28
38	50	M16 x 36
50	85	M20 x 42
85	130	M24 x 50
130	190	M30 x 60

Solid Shaft Drill & Tap Shaft End - Threaded Holes (in)

Above	To & Including	Dimensions
0.375	0.500	10-24 x 0.43
0.500	0.875	1/4-20 x 0.59
0.875	0.938	5/16-18 x 0.71
0.938	1.100	3/8-16 x 0.87
1.100	1.300	1/2-13 x 1.10
1.300	1.875	5/8-11 x 1.42
1.875	3.500	3/4-10 x 1.73
3.500	7.500	1-8 x 2.63
5.125	8.875	1 1/4-7 x 3.15*
6.000	8.875	1 3/8-6 x 3.46**

* Only used on SK 9096.1 helical bevel gear units

** Only used on the SK 10382.1, SK 11382.1 parallel shaft gear units

Abbreviations in the Power and Selection Tables

Abbreviations	Description	Unit
f_B	Service factor ($M_{2,max} / M_2$)	-
F_A	Permitted axial force on output side	[kN] / [lb]
F_R	Permitted radial force for foot-mounted gear units with solid shaft, force applied at the middle of the output shaft Permitted radial force for shaft-mounted UNICASE Parallel Shaft Gear Units with hollow shaft	[kN] / [lb]
FD	Force on rubber buffer	[N] / [lb]
i_{total}	Total ratio	-
Z_1	Number of worm threads	-
Z_2 / Z_1	Reduction ratio of worm gear units	-
i_1	Reduction ratio of helical gear units	-
M_2	Output torque	[Nm] / [lb-in]
$M_{2,max}$	Maximum output torque	[Nm] / [lb-in]
$M_{2,max,AS}$	Maximum transmissible torque of shrink disc	[Nm] / [lb-in]
$M_{2,max,AM}$	Maximum transmissible torque of GRIPMAXX	[Nm] / [lb-in]
n_2	Output speed	[r/min]
P_1	Installed power	[kW] / [hp]
$P_{1,max}$	Maximum installed power	[kW] / [hp]
VL	Reinforced bearings	-
η	Efficiency	[%]

If a “-” is shown in the power ratings table, reinforced bearings are not possible.

If a “***” is shown in the power ratings table, the displayed output torque is the maximum output torque at $f_B = 0.8$.

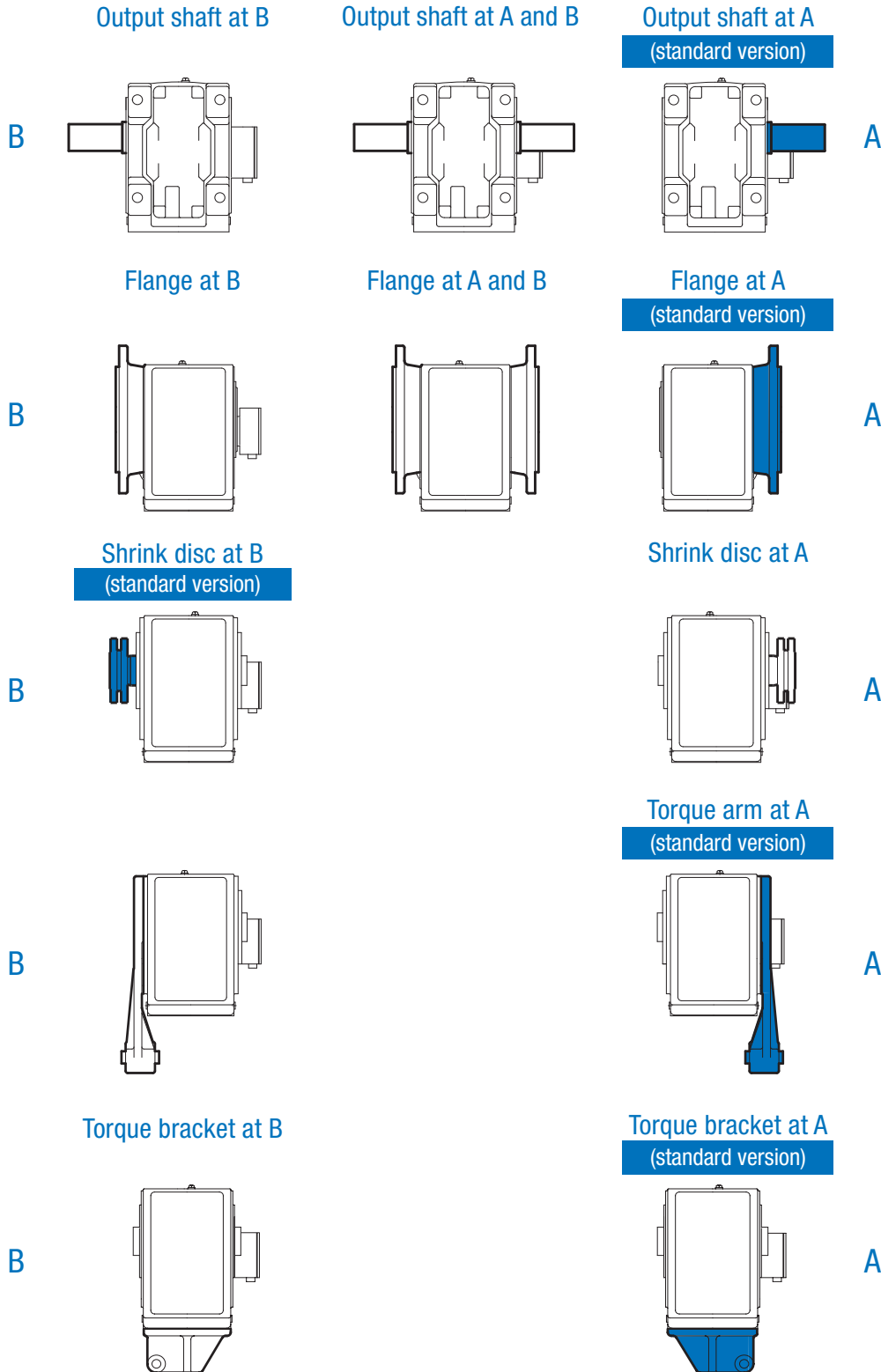
Direction of Rotation

Direction of rotation of the motor looking towards the fan cover or the input shaft looking towards the input shaft journal.

Gear Unit Type	Rotation of Output Shaft – CW	Rotation of Output Shaft – CCW
Single stage NORDBLOC.1 gear units SK 071.1 – SK 1071.1	Motor Rotation – CW	Motor Rotation – CCW
2-stage NORDBLOC.1 helical gear units SK072.1 – SK972.1	Motor Rotation – CCW	Motor Rotation – CW
3-stage NORDBLOC.1 helical gear units SK373.1 – SK973.1	Motor Rotation – CW	Motor Rotation – CCW
2-stage helical gear units SK 02 – SK 102	Motor Rotation – CCW	Motor Rotation – CW
3-stage helical gear units SK 03 – SK 103	Motor Rotation – CW	Motor Rotation – CCW
2-stage parallel shaft gear units SK 0182.1 – SK 9282	Motor Rotation – CCW	Motor Rotation – CW
3-stage parallel shaft gear units SK 0182.1 – SK 11382.1	Motor Rotation – CW	Motor Rotation – CCW
2-stage bevel gear units SK 9x0072.1 – SK 9x772.1 Output shaft position A	Motor Rotation – CCW	Motor Rotation – CW
* 3-stage bevel gear units SK 9012.1 – SK 9096.1	Motor Rotation – CW	Motor Rotation – CCW
* 4-stage bevel gear units SK 9013.1 – SK 9053.1	Motor Rotation – CCW	Motor Rotation – CW
2-stage worm gear units SK 02040.1 – SK 42125 Output shaft position A or shrink disc at B	Motor Rotation – CW	Motor Rotation – CCW
2-stage worm gear units SK 02040.1 – SK 42125 Output shaft position B or shrink disc at A	Motor Rotation – CCW	Motor Rotation – CW
3-stage worm gear units SK 13050 – SK 43125 Output shaft position A or shrink disc at B	Motor Rotation – CCW	Motor Rotation – CW
3-stage worm gear units SK 13050 – SK 43125 Output shaft position B or shrink disc at A	Motor Rotation – CW	Motor Rotation – CCW
UNIVERSAL SI and SMI Worm Gear Units SK 1S(M)I31 – SK 1S(M)I75	Motor Rotation – CW	Motor Rotation – CCW

Position of the Shafts, Flanges, Torque Arms, and Shrink Discs for Right Angle Gear Units

For bevel gear units and worm gear units, the position of the output shaft, the flange B5, the torque arm, and the shrink disc are defined as follows:



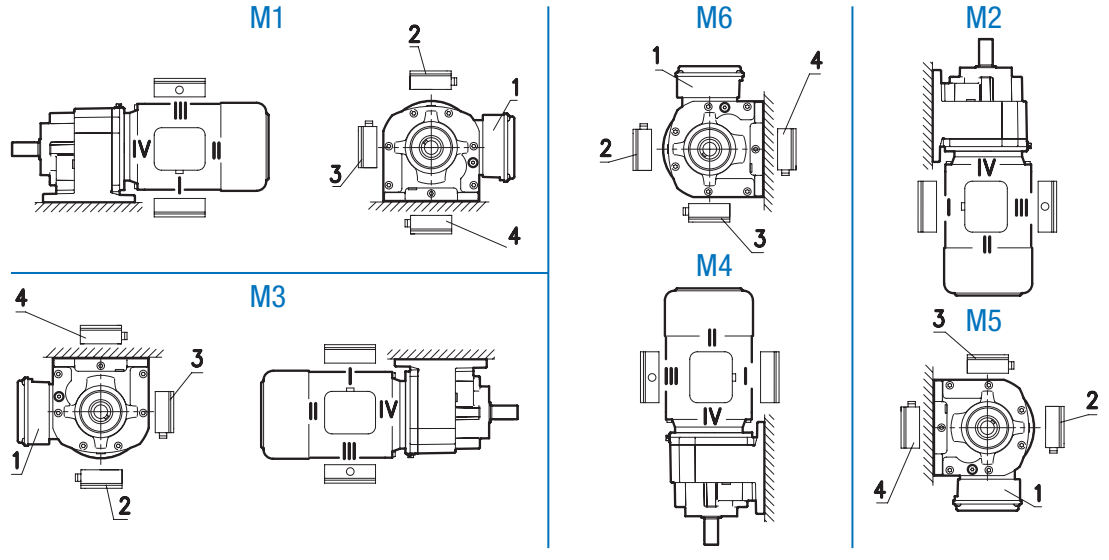
The definitions of sides A and B relate to the M1 mounting position. For details of positions M1 - M6 please refer to [⇒ A68](#).

Terminal Box and Cable Gland Location

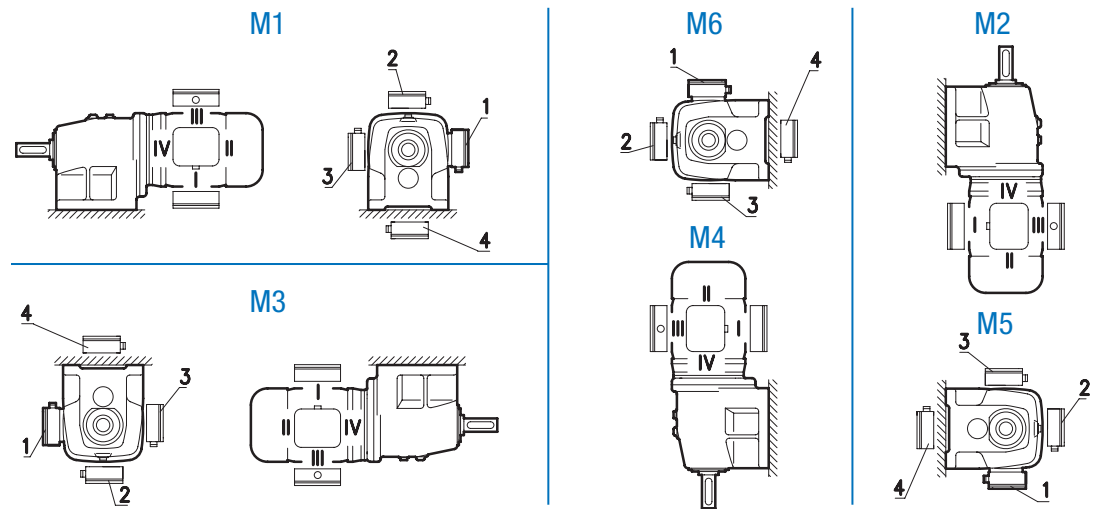
The standard position is terminal box at 1 and cable gland at I. If a different configuration is required, please state explicitly in the order and always inquire about the cable gland for IV.

For size 63 – 132 brake motors, the cable gland at I and III are standard.

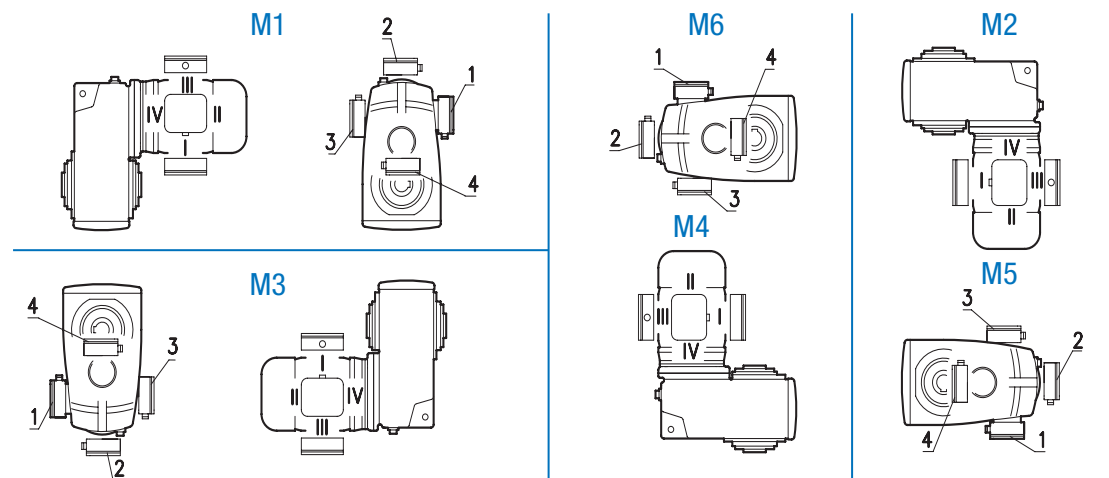
NORDBLOC®.1 helical inline gear units



UNICASE™ helical inline gear units



UNICASE™ parallel shaft gear units

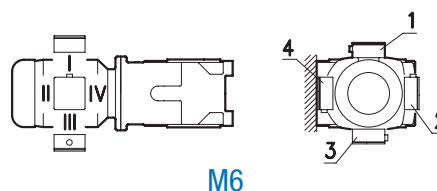
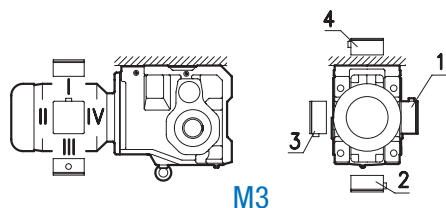
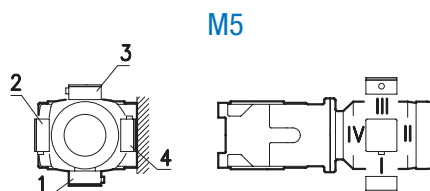
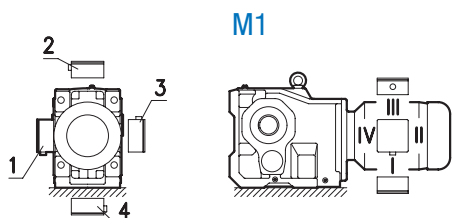


Terminal Box and Cable Gland Location

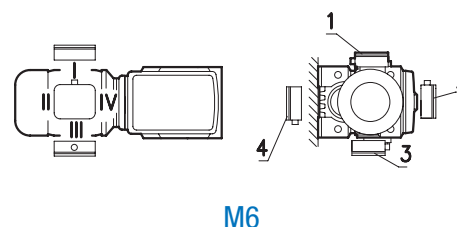
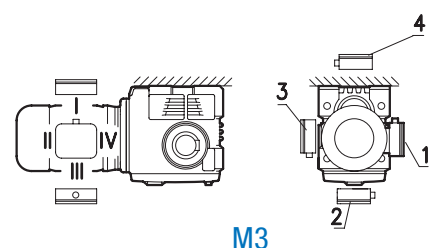
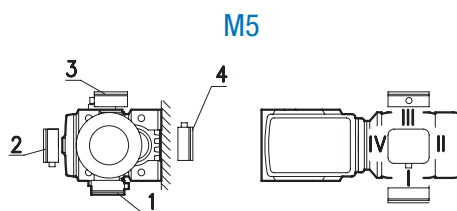
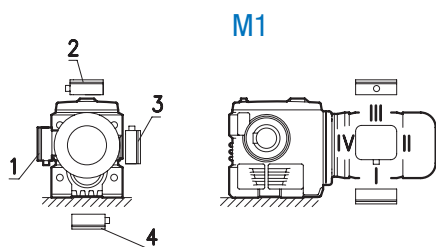
The standard position is terminal box at 1 and cable gland at I. If a different configuration is required, please state explicitly in the order and always inquire about the cable gland for IV.

For size 63 – 132 brake motors, the cable gland at I and III are standard.

Helical bevel gear units



UNICASE™ worm gear units



Standard installation positions M1 – M6

Installation Positions

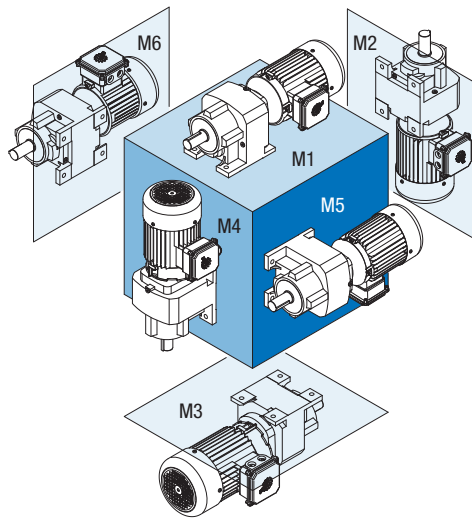
For gear units and gear motors, NORD specifies six installation positions from M1 – M6 as shown in the following diagrams. The installation position must be stated when ordering to ensure proper locations of vents and plugs.

Changes to the installation position require adjustment of the oil quantity and often other measures such as the installation of encapsulated roller bearings. Damage may result if the necessary measures are not taken. Tilted installation positions between the six basic positions are also possible, please contact NORD for more information.

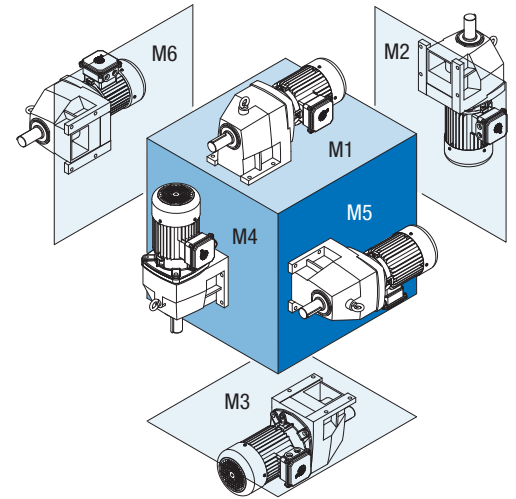
Lubricant quantities

Lubricant quantities and all versions with the position of the oil level plug, the vent plug, and the oil drain plug can be found [online at myNORD](http://www.nord.com).

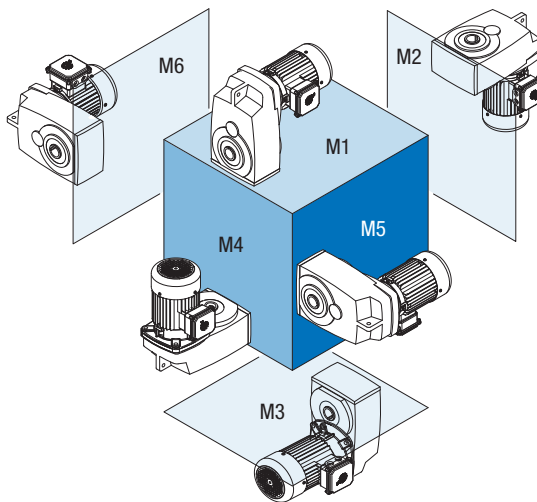
NORDBLOC.1® Helical Inline Gear Units



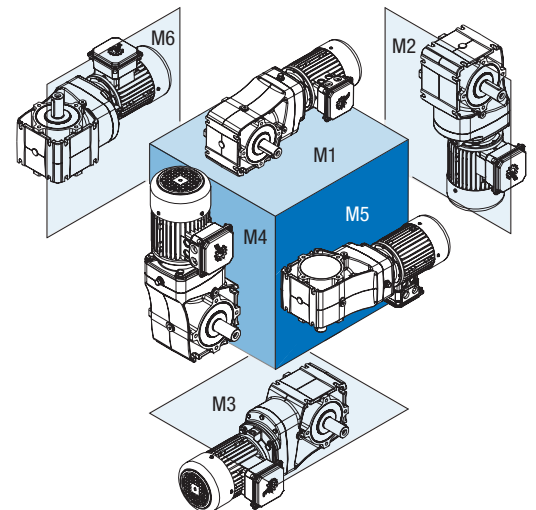
UNICASE™ Helical Inline Gear Units



UNICASE™ Parallel Shaft Gear Units



NORDBLOC.1® Helical Bevel Gear Units



Installation Positions

For gear units and gear motors, NORD specifies six installation positions from M1 – M6 as shown in the following diagrams. The installation position must be stated when ordering to ensure proper locations of vents and plugs.

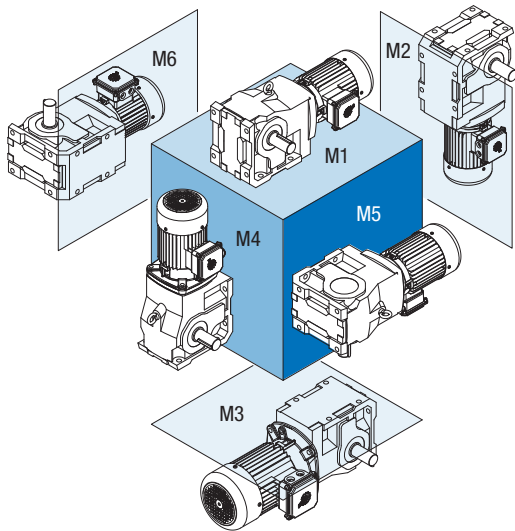
Standard installation positions M1 – M6

Changes to the installation position require adjustment of the oil quantity and often other measures such as the installation of encapsulated roller bearings. Damage may result if the necessary measures are not taken. Tilted installation positions between the six basic positions are also possible, please contact NORD for more information.

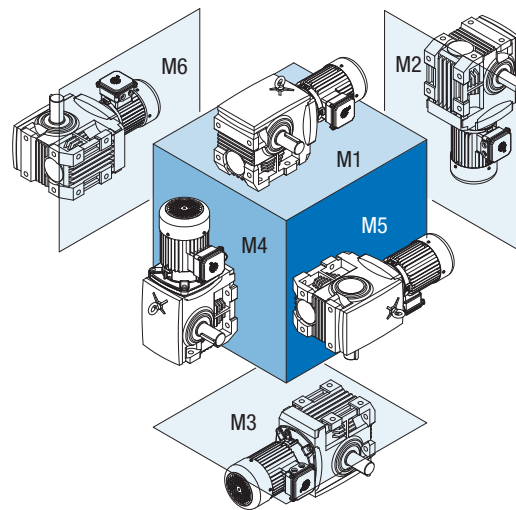
Lubricant quantities and all versions with the position of the oil level plug, the vent plug, and the oil drain plug can be found [online at myNORD](#).

Lubricant quantities

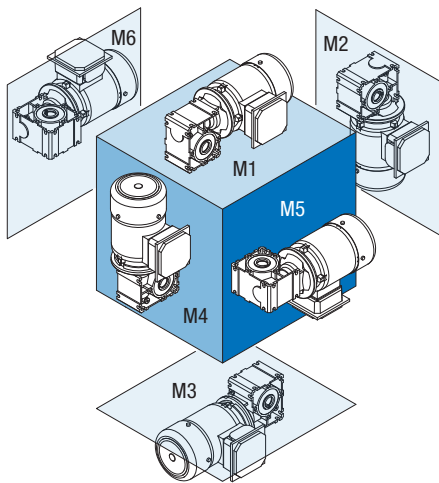
UNICASE™ Helical Bevel Gear Units



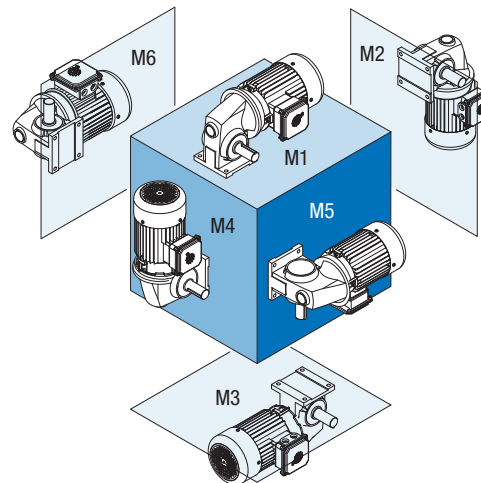
UNICASE™ Worm Gear Units



UNIVERSAL SI Worm Gear Units



UNIVERSAL SMI Worm Gear Units



Screw Conveyor Package

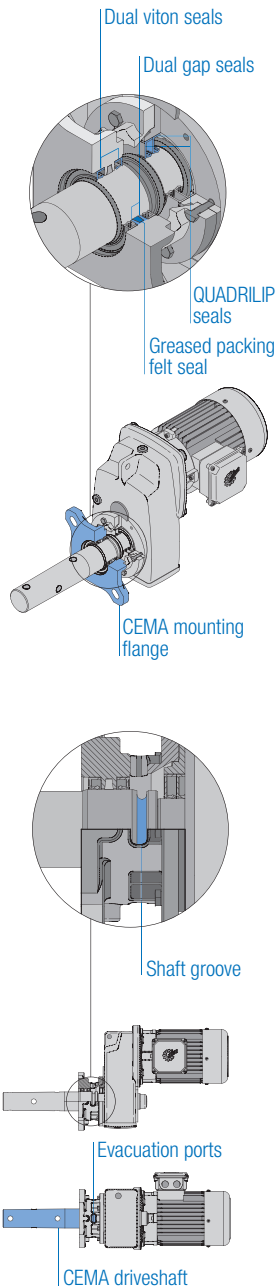
NORD offers a unique mounting solution for screw conveyor drives. The SCP options offers superior durability in the most severe load and service conditions.

CEMA Flange and Shafts

- ▶ **Standard CEMA mounting**
NORD SCP drives adhere to CEMA standard mounting dimensions.
- ▶ **Versatile flange – multiple bolt patterns**
The SCP mounting flanges often accommodate more that one CEMA bolt pattern. This allows one drive to be used on different screw sizes simply by switching out the drive shaft.
- ▶ **3-Hole tapered CEMA drive shaft**
The CEMA drive shaft is a standard 3-hole shaft. This allows for mounting to either 2-bolt or 3-bolt connections. The drive shaft is tapered for easier mounting and removal. The taper also reduces shaft loading due to misalignments.
- ▶ **High strength cast iron**
Screw conveyor flanges are made from high strength cast iron.

Optimized Sealing System

- ▶ **FKM seals**
The SCP mounting flanges contain double FKM shaft seals for improved sealing. The FKM seals provide higher chemical and thermal resistance.
- ▶ **Dual gap seals**
The SCP mounting flange and CEMA drive shaft are designed to provide a mechanical barrier effect referred to as a gap seal. The flange has a clearance of 0.8 mm (approx. 0.03") at two points on the shaft. This forms a mechanical block for large particles and prevents them from entering the gear unit.
- ▶ **Greased packing felt seal**
Provides protection for small objects. If materials work their way past the first fluropolymer lip seal and gap seal it will be trapped within the grease felt sealing ring.
- ▶ **Shaft groove**
If materials pass through the FKM, gap, and greased felt seals, the shaft groove forms an additional barrier.
- ▶ **Evacuation ports**
Provides an exit for any foreign material that infiltrates the external sealing system and provides a way to clean out the sealing system.



UNICASE™ Parallel Shaft Gear Units

Unit Type	Max Torque [lb-in]	Ratio Range [x:1]	Speed Range [r/min]	Max Thrust Load Standard Bearings [lbs]	Max Thrust Load HD Bearings [lbs]	Gear Stages	Shaft Size [in]				
							1.5	2.0	2 7/16	3.0	3 7/16
SK 1282 SCP	2620	4.79 – 109.5	365 – 16	1609	1609	2	●	●	●		
SK 1382 SCP	2425	87.94 – 624.45	20 – 2.8	1609	1609	3	●	●	●		
SK 2282 SCP	4611	4.51 – 127.51	388 – 14	2700	3375	2	●	●	●		
SK 2382 SCP	4983	82.22 – 763.41	21 – 2.3	2700	3375	2	●	●	●		
SK 3282 SCP	8983	4.48 – 112.23	391 – 16	3263	4500	2	●	●	●	●	
SK 3382 SCP	9195	89.60 – 1022.42	20 – 1.7	3263	4500	3	●	●	●	●	
SK 4282 SCP	16089	4.70 – 155.4	372 – 11	4950	6750	2		●	●	●	
SK 4382 SCP	18381	86.83 – 1585.08	26 – 1.1	4950	6750	3		●	●	●	
SK 5282 SCP	28630	4.32 – 134.03	405 – 13	7200	9000	2		●	●	●	●
SK 5382 SCP	28320	82.72 – 1367.08	21 – 1.3	7200	9000	3		●	●	●	●
SK 6282 SCP	40152	4.39 – 80.33	399 – 22	10463	13500	2				●	●
SK 6382 SCP	53100	24.42 – 551.58	72 – 3.2	10463	13500	3				●	●

● Available

UNICASE™ Helical Bevel Gear Units

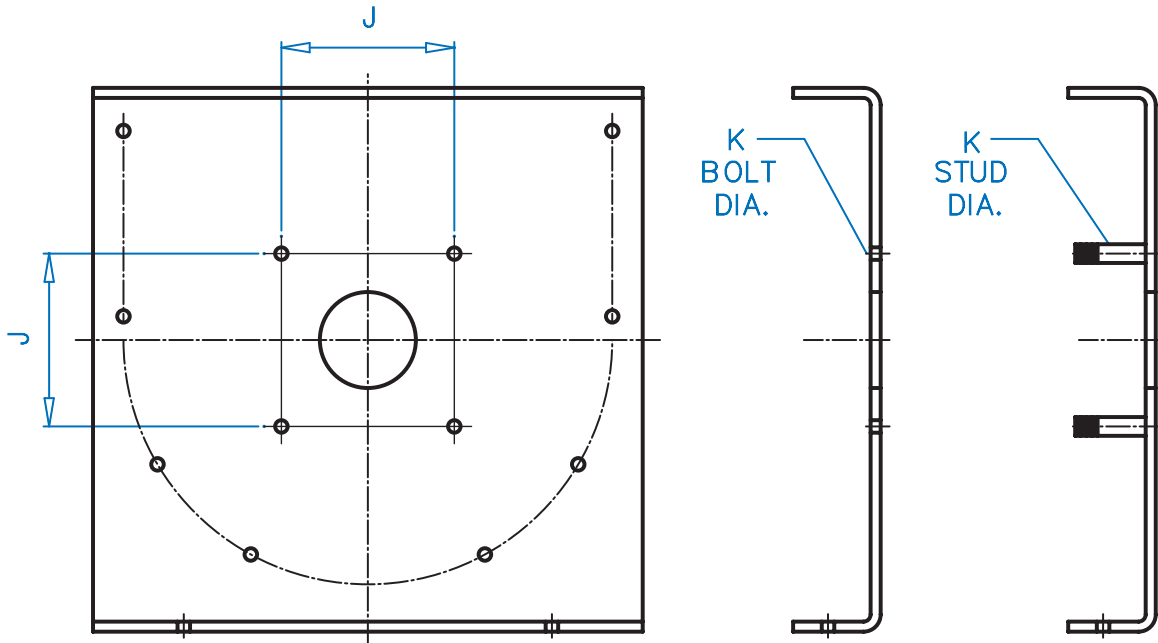
Unit Type	Max Torque [lb-in]	Ratio Range [x:1]	Speed Range [r/min]	Max Thrust Load Standard Bearings [lbs]	Max Thrust Load HD Bearings [lbs]	Gear Stages	Shaft Size [in]				
							1.5	2.0	2 7/16	3.0	3 7/16
SK 9012.1 SCP	3540	8.09 – 332.37	5.3 – 216	4500	4500	3	●	●	●		
SK 9022.1 SCP	7611	8.78 – 276.86	6.3 – 199	2700	5141	3	●	●	●		
SK 9032.1 SCP	13718	8.48 – 295.85	5.9 – 206	3263	5234	3	●	●	●	●	
SK 9042.1 SCP	24780	8.83 – 329.69	5.3 – 198	9000	6869	3		●	●	●	●
SK 9052.1 SCP	42480	8.10 – 289.61	6.0 – 216	10125	10125	3				●	●

● Available

Engineering Information

Screw Conveyor Package

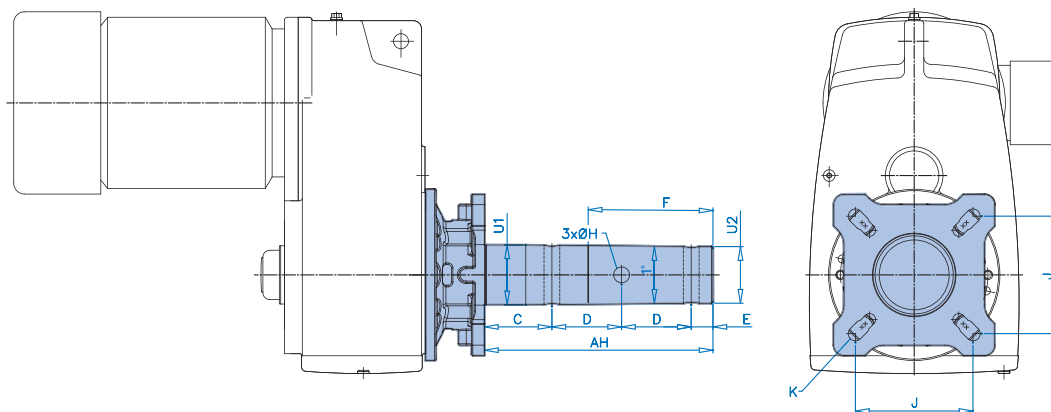
Screw Conveyor Mounting



Screw Conveyor Mounting Dimensions from CEMA 300-13

Screw Diameter [in]	CEMA Drive Shaft [in]	J Width [in]	K Bolt [in]	K Stud [in]
6	1 1/2	4	1/2	7/16
9	1 1/2	4	1/2	7/16
	2	5 1/8	5/8	9/16
12	2	5 1/8	5/8	9/16
	2 7/16	5 5/8	5/8	9/16
	3	6	3/4	3/4
14	2 7/16	5 5/8	5/8	9/16
	3	6	3/4	3/4
16	3	6	3/4	3/4
18	3	6	3/4	3/4
	3 7/16	6 3/4	3/4	3/4
20	3	6	3/4	3/4
	3 7/16	6 3/4	3/4	3/4
24	3 7/16	6 3/4	3/4	3/4

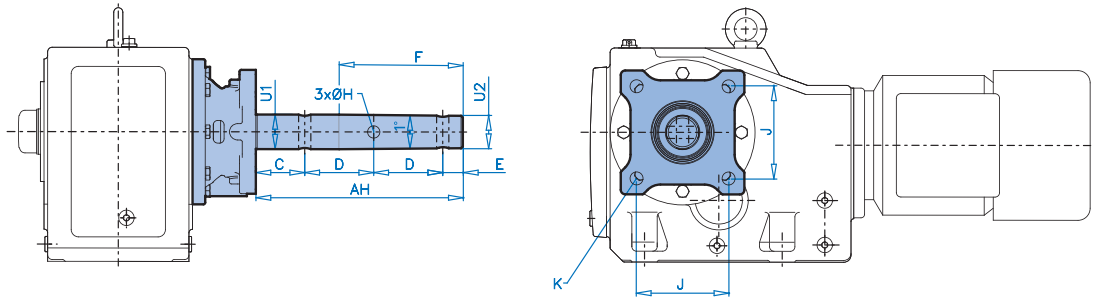
UNICASE™ Parallel Shaft SCP CEMA Drive Shaft Assembly



Shaft Size [in]	Shaft [in]								Flange [in]	
	U1	U2	AH	C	D	E	F	H	J	K
1 1/2	1.5	1.41	9.00	2.125	3.0	0.875	5 3/8	17/32	4	9/16
2	2.0	1.91	9.00	2.125	3.0	0.875	5 3/8	21/32	5 1/8	11/16
2 7/16	2.4375	2.34	9.6875	2.75	3.0	0.9375	5 7/16	21/32	5 5/8	11/16
3	3.0	2.91	9.875	2.875	3.0	1.00	5 1/2	25/32	6	13/16
3 7/16	3.4375	3.31	13.125	3.875	4.0	1.25	7 1/4	29/32	6 3/4	13/16

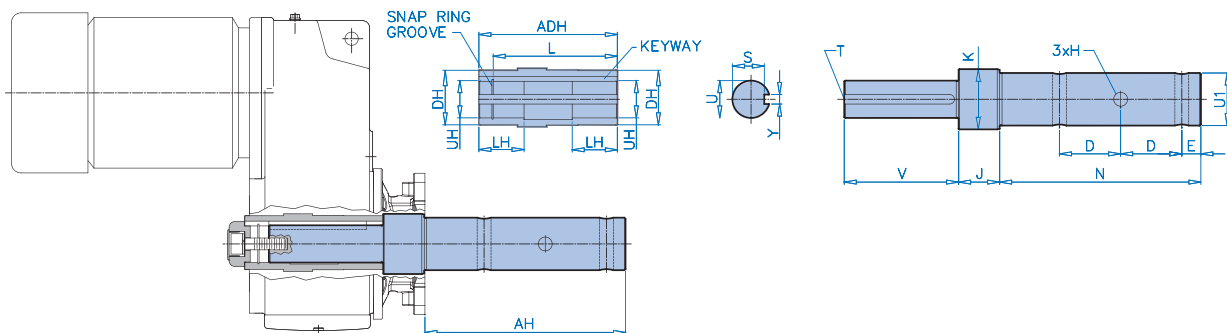
Engineering Information Screw Conveyor Package

Information UNICASE™ Helical Bevel SCP CEMA Drive Shaft Assembly



Shaft Size [in]	Shaft [in]								Flange [in]	
	U1	U2	AH	C	D	E	F	H	J	K
1 1/2	1.5	1.41	9.00	2.125	3.0	0.875	5 3/8	17/32	4	9/16
2	2.0	1.91	9.00	2.125	3.0	0.875	5 3/8	21/32	5 1/8	11/16
2 7/16	2.4375	2.34	9.6875	2.75	3.0	0.9375	5 7/16	21/32	5 5/8	11/16
3	3.0	2.91	9.875	2.875	3.0	1.00	5 1/2	25/32	6	13/16
3 7/16	3.4375	3.31	13.125	3.875	4.0	1.25	7 1/4	29/32	6 3/4	13/16

UNICASE™ Parallel Shaft SCP + NEMA CEMA drive shaft

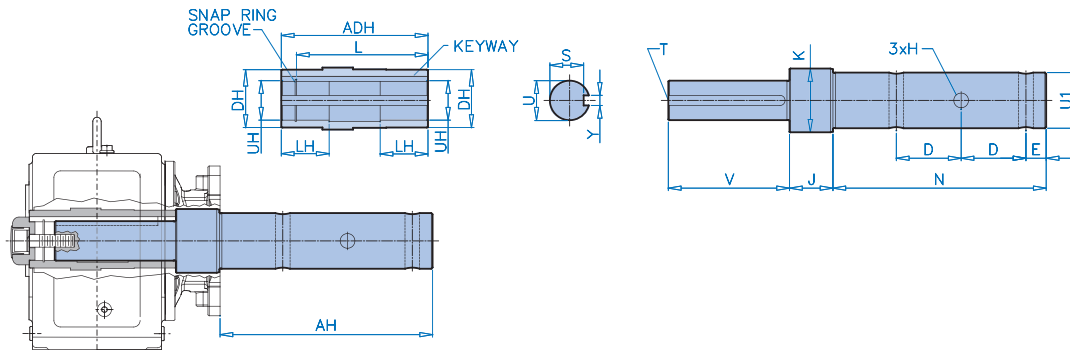


Unit Type	Hollow Shaft [in]				
	UH	ADH	L	LH	DH
SK 1282 / 1382 SCP	1.1875 + 0.0008	4.80	3.85	1.57	1.77
SK 2282 / 2382 SCP	1.4375 + 0.0010	5.47	4.80	1.97	1.97
SK 3282 / 3382 SCP	1.6250 + 0.0010	6.85	6.14	2.28	2.17
SK 4282 / 4382 SCP	2.1875 + 0.0010	7.68	6.42	2.56	2.76
SK 5282 / 5382 SCP	2.4375 + 0.0012	9.06	7.58	2.95	3.35
SK 6282 / 6382 SCP	2.7500 + 0.0012	11.41	9.92	3.54	3.93

Unit Type	Hollow Shaft [in]								U	V	S	Y	T	Key		
	U1	AH	D	E	H	N	J	K								
SK 1282 SK 1382	1 1/2	9	3	7/8	17/32	9.04	2.04	2.165	-0.0039 -0.0069	1.1875	+0.0000 -0.0006	3.74	1.049	0.25	7/16-14 x 1	1/4 x 1/4
	2	9	3	7/8	21/32	9.04	2.41	2.559		1.1875		3.74	1.049	0.25	7/16-14 x 1	1/4 x 1/4
	2 7/16	9 11/16	3	15/16	21/32	9.73	2.85	2.559		1.1875		3.74	1.049	0.25	7/16-14 x 1	1/4 x 1/4
SK 2282 SK 2382	1 1/2	9	3	7/8	17/32	9.04	2.04	2.165	-0.0039 -0.0069	1.4375	+0.0000 -0.0006	4.62	1.225	0.375	5/8-11 x 1.5	3/8 x 3/8
	2	9	3	7/8	21/32	9.04	2.41	2.559		1.4375		4.62	1.225	0.375	5/8-11 x 1.5	3/8 x 3/8
	2 7/16	9 11/16	3	15/16	21/32	9.73	2.41	2.559		1.4375		4.62	1.225	0.375	5/8-11 x 1.5	3/8 x 3/8
SK 3282 SK 3382	1 1/2	9	3	7/8	17/32	9.04	2.20	2.165	-0.0039 -0.0069	1.625	+0.0000 -0.0006	6.14	1.478	0.375	5/8-11 x 1.5	3/8 x 1/4
	2	9	3	7/8	21/32	9.04	2.57	3.150		1.625		6.14	1.478	0.375	5/8-11 x 1.5	3/8 x 1/4
	2 7/16	9 11/16	3	15/16	21/32	9.73	2.57	3.150		1.625		6.14	1.478	0.375	5/8-11 x 1.5	3/8 x 1/4
	3	9 7/8	3	1	25/32	9.91	2.57	3.150		1.625		6.14	1.478	0.375	5/8-11 x 1.5	3/8 x 1/4
SK 4282 SK 4382	2	9	3	7/8	21/32	9.04	2.37	3.150	-0.0039 -0.0069	2.0625	+0.0000 -0.0007	6.69	1.844	0.5	5/8-11 x 1.5	1/2 x 3/8
	2 7/16	9 11/16	3	15/16	21/32	9.73	2.37	3.150		2.0625		6.69	1.844	0.5	5/8-11 x 1.5	1/2 x 3/8
	3	9 7/8	3	1	25/32	9.91	2.37	3.150		2.0625		6.69	1.844	0.5	5/8-11 x 1.5	1/2 x 3/8
SK 5282 SK 5382	2	9	3	7/8	21/32	9.04	2.68	3.937	-0.0047 -0.0081	2.4375	+0.0000 -0.0007	8.19	2.084	0.625	3/4-10 x 2	5/8 x 5/8
	2 7/16	9-11/16	3	15/16	21/32	9.73	2.68	3.937		2.7375		8.19	2.084	0.625	3/4-10 x 2	5/8 x 5/8
	3	9-7/8	3	1	25/32	9.91	2.68	3.937		2.4375		8.19	2.084	0.625	3/4-10 x 2	5/8 x 5/8
	3-7/16	13-1/8	4	1-1/4	29/32	13.16	2.68	3.937		2.4375		8.19	2.084	0.625	3/4-10 x 2	5/8 x 5/8
SK 6282 SK 6382	3	9-7/8	3	1	25/32	9.91	2.94	3.937	-0.0047 -0.0081	2.750	+0.0000 -0.0007	10.55	2.402	0.625	3/4-10 x 2	5/8 x 5/8
	3-7/16	13-1/8	4	1-1/4	29/32	13.16	2.94	3.937		2.750		10.55	2.402	0.625	3/4-10 x 2	5/8 x 5/8

Engineering Information Screw Conveyor Package

UNICASE™ Helical Bevel + NEMA CEMA Drive Shaft



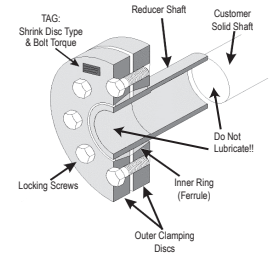
Unit Type	Hollow Shaft [in]				
	UH	ADH	L	LH	DH
SK 9012.1 SCP	1.375 +0.0010 -0.0000	5.83	4.60	1.97	1.97
SK 9022.1 SCP	1.500 +0.0010 -0.0000	7.09	5.86	2.36	2.17
SK 9032.1 SCP	2.000 +0.0010 -0.0000	8.27	7.01	2.76	2.76
SK 9042.1 SCP	2.375 +0.0012 -0.0000	9.45	7.97	3.15	3.15
SK 9052.1 SCP	2.750 +0.0012 -0.0000	11.81	10.33	3.94	3.94

Unit Type	Shaft [in]													Key		
	U1	AH	D	E	H	N	J	K	U	V	S	Y	T			
SK 9012.1	1 1/2	9	3	7/8	17/32	9.04	2.47	2.165	-0.0039 -0.0069	1.375	+0.0000 -0.0006	4.88	1.201	0.3125	5/8-11 x 1.5	5/16 x 5/16
	2	9	3	7/8	21/32	9.04	2.85	2.559		1.375		4.88	1.201	0.3125	5/8-11 x 1.5	5/16 x 5/16
	2 7/16	9 11/16	3	15/16	21/32	9.73	2.85	2.559		1.375		4.88	1.201	0.3125	5/8-11 x 1.5	5/16 x 5/16
SK 9022.1	1 1/2	9	3	7/8	17/32	9.04	2.40	2.165	-0.0039 -0.0069	1.500	+0.0000 -0.0006	6.14	1.289	0.3750	5/8-11 x 1.5	3/8 x 3/8
	2	9	3	7/8	21/32	9.04	2.77	2.559		1.500		6.14	1.289	0.3750	5/8-11 x 1.5	3/8 x 3/8
	2 7/16	9 11/16	3	15/16	21/32	9.73	2.77	2.559		1.500		6.14	1.289	0.3750	5/8-11 x 1.5	3/8 x 3/8
SK 9032.1	1 1/2	9	3	7/8	17/32	9.04	2.40	2.165	-0.0039 -0.0069	2.000	+0.0000 -0.0007	7.28	1.718	0.5000	5/8-11 x 1.5	1/2 x 1/2
	2	9	3	7/8	21/32	9.04	2.77	3.150		2.000		7.28	1.718	0.5000	5/8-11 x 1.5	1/2 x 1/2
	2 7/16	9 11/16	3	15/16	21/32	9.73	2.77	3.150		2.000		7.28	1.718	0.5000	5/8-11 x 1.5	1/2 x 1/2
	3	9 7/8	3	1	25/32	9.91	2.77	3.150		2.000		7.28	1.718	0.5000	5/8-11 x 1.5	1/2 x 1/2
SK 9042.1	2	9	3	7/8	21/32	9.04	2.86	3.937	-0.0047 -0.0081	2.375	+0.0000 -0.0007	8.58	2.114	0.6250	3/4-10 x 2	5/8 x 7/16
	2 7/16	9 11/16	3	15/16	21/32	9.73	2.86	3.937		2.375		8.58	2.114	0.6250	3/4-10 x 2	5/8 x 7/16
	3	9 7/8	3	1	25/32	9.91	2.86	3.937		2.375		8.58	2.114	0.6250	3/4-10 x 2	5/8 x 7/16
	3 7/16	13 1/8	4	1 1/4	29/32	13.16	2.86	3.937		2.375		8.58	2.114	0.6250	3/4-10 x 2	5/8 x 7/16
SK 9052.1	3	9 7/8	3	1	25/32	9.91	3.36	3.937	-0.0047 -0.0081	2.750	+0.0000 -0.0006	10.94	2.402	0.6250	3/4-10 x 2	5/8 x 5/8
	3 7/16	13 1/8	4	1 1/4	29/32	13.16	3.36	3.937		2.750		10.94	2.402	0.6250	3/4-10 x 2	5/8 x 5/8

Shrink Disc (S)

Shrink discs are recommended for NORD hollow bore gear units as they provide a keyless friction connection without the typical assembly and disassembly problems.

The length of the customer's shaft journal, which is inserted into the gearbox hollow shaft, must match the length of the hollow shaft (mH). The shaft diameter of the shaft journal can be designed in accordance with ISO h6 or f6 (f6 = easier installation).



Axial Forces

The forces directed away from or towards the gearbox along the central axis of the driven shaft are referred to as axial force. The permissible axial force (F_A) is indicated in the performance tables. The presence of an axial force reduces the torque capacity of the shrink disc connection. The transmittable axial force depends on the gearbox size and the associated shrink disc.

Radial Forces

Radial forces act in a vertical direction on the axis of rotation of the driven solid shaft. Radial forces that can generate a bending moment include: the weight of the mounted components, a chain or belt tension, shaft deformations of the driven shaft, etc.

NORD does not recommend the use of shrink disc connections if considerable bending moments or radial forces occur.

Boundary Conditions

To ensure proper assembly and disassembly there are important shrink disc design considerations:

Design considerations



- ▶ The solid shaft end must engage the full length of the gear unit's hollow shaft.
- ▶ The yield strength of the customer shaft must be at least 360 N/mm² or 52,260 lb/in² so that the required compressive forces do not lead to permanent deformation of the shaft.
- ▶ The contact surfaces of the hollow gearbox shaft, the bushing insert, and the corresponding customer shaft must be free of contamination.
- ▶ All fastening screws of the shrink disc must have the correct strength class and be tightened to the specified tightening torque.

Shaft Tolerances and Assembly Clearance

Shrink discs require tight tolerances to ensure proper clamping forces are maintained and prevent permanent distortion of the shrink disc components or mating shaft. The recommended fit between the hollow shaft and solid shaft and the maximum assembly clearance is listed in the following tolerance tables.

Shrink Disc Tolerance (mm)

Diameter Above	Diameter to & Including	Solid Shaft Tolerance (ISO 286-2, h6)	Reducer Bore Tolerance (ISO 286-2, H7)	Minimum Assembly Clearance	Maximum Assembly Clearance
18	30	+0.000/-0.013	+0.021/-0.000	0.00	0.034
30	50	+0.000/-0.016	+0.025/-0.000	0.00	0.041
50	80	+0.000/-0.019	+0.030/-0.000	0.00	0.049
80	120	+0.000/-0.022	+0.035/-0.000	0.00	0.057
120	180	+0.000/-0.025	+0.040/-0.000	0.00	0.065
180	190	+0.000/-0.029	+0.046/-0.000	0.00	0.075

Shrink Disc Tolerance (in)

Diameter Above	Diameter to & Including	Solid Shaft Tolerance (ISO 286-2, h6)	Reducer Bore Tolerance (ISO 286-2, H7)	Minimum Assembly Clearance	Maximum Assembly Clearance
0.7500	1.1250	+0.0000/-0.0005	+0.0008/-0.0000	0.0000	0.0013
1.1250	1.9375	+0.0000/-0.0006	+0.0009/-0.0000	0.0000	0.0015
2.0000	3.1250	+0.0000/-0.0007	+0.0011/-0.0000	0.0000	0.0018
3.1875	4.6875	+0.0000/-0.0008	+0.0013/-0.0000	0.0000	0.0021
4.7500	7.0625	+0.0000/-0.0009	+0.0015/-0.0000	0.0000	0.0024
7.1250	7.5000	+0.0000/-0.0011	+0.0018/-0.0000	0.0000	0.0029

UNICASE™ Parallel Shaft Geared Motors Available with Shrink Disc

Gear Unit	Shrink Disc Type	Motor Size													
		63	71	80	90	100	112	132	160	180	200	225	250	280	315
SK 0282.1	SN 25 / 35 V	●	●	●											
SK 0282.1	SN 30 / 40 V	●	●												
SK 1282.1	SN 35 / 46 V	●	●	●	●										
SK 1382.1	SN 35 / 46 V	●	●	●	●										
SK 1282	SN 30 / 40 V	●	●	●											
SK 2282	SN 35 / 46 V		●	●	●	●									
SK 3282	SN 40 / 55 V		●	●	●	●	●								
SK 3382	SN 40 / 55 V	●	●	●	●										
SK 4282	SN 50 / 62 V				●	●	●	●							
SK 5282	SN 60 / 76 V				●	●	●	●	●						
SK 6282	SN 70 / 90 V					●	●	●	●	●					
SK 6382	SN 70 / 90 V				●	●	●	●	●	●					
SK 7282	SN 80 / 108 V							●	●	●	●	AS			
SK 7382	SN 80 / 108 V					●	●	●	●	●	●	AS			
SK 8282	SN 100 / 128 V							●	●	●	●	●			
SK 8382	SN 100 / 128 V					●	●	●	●	●	●	●			
SK 9282	SN 125 / 158 V										●	●	●	●	
SK 9382	SN 125 / 158 V							●	●	●	●	●	●	●	
SK 10382.1	SN 160 / 210 V							●	●	●	●	●	●	●	AS
SK 11382.1	SN 180 / 230 V								●	●	●	●	●	●	●

AS Heavy duty shrink disc

● Available

Engineering Information

Shrink Disc & GRIPMAXX™



UNICASE™ Parallel Shaft Geared Motors with Motor Adapters Available with Shrink Disc

Gear Unit	Shrink Disc Type	Motor Size													
		63	71	80	90	100	112	132	160	180	200	225	250	280	315
SK 0282.1	SN 25 / 35 V	●	●	●	●										
SK 0282.1	SN 30 / 40 V	●	●	●	●										
SK 1282.1	SN 35 / 46 V	●	●	*	*	*	*								
SK 1382.1	SN 35 / 46 V	●	●	*	*										
SK 1282	SN 30 / 40 V	●	●	●	●										
SK 2282	SN 35 / 46 V		●	●	●	●	●								
SK 3282	SN 40 / 55 V		●	●	●	●	●	●							
SK 3382	SN 40 / 55 V	●	●	●	●										
SK 4282	SN 50 / 62 V				●	●	●	●	●						
SK 5282	SN 60 / 76 V				●	●	●	●	●	●					
SK 6282	SN 70 / 90 V					●	●	●	●	●	●	●			
SK 6382	SN 70 / 90 V				●	●	●	●	●	●					
SK 7282	SN 80 / 108 V							●	●	●	●	●			
SK 7382	SN 80 / 108 V					●	●	●	●	●	●	●			
SK 8282	SN 100 / 128 V							●	●	●	●	●	●	●	●
SK 8382	SN 100 / 128 V					●	●	●	●	●	●	●			
SK 9282	SN 125 / 158 V									●	●	●	●	●	●
SK 9382	SN 125 / 158 V								●	●	●	●	●	●	●
SK 10382.1	SN 160 / 210 V								●	●	●	●	●	●	●
SK 11382.1	SN 180 / 230 V									●	●	●	●	●	●

AS Heavy duty shrink disc

● Available

* See adapter table

*1282.1 / 1382.1

Motor Size	Adapter	Aluminium	Cast Iron
80	IEC	B14 C120	●
		B14 C160	●
		B5 A200	○
	NEMA	N56C	●
		N140TC	●
90	IEC	B14 C140	●
		B14 C160	●
		B5 A200	○
	NEMA	N140TC	●
100	IEC	B14 C160	●
		B14 C200	○
		B5 A250	○
	NEMA	N180TC	●
112	IEC	B14 C160	●
		B14 C200	○
		B5 A250	○
	NEMA	N180TC	●

● Available

○ Not available

UNICASE™ Parallel Shaft Geared Motors Available with Heavy Duty Shrink Disc

Gear Unit	Shrink Disc Type	Motor Size													
		63	71	80	90	100	112	132	160	180	200	225	250	280	315
SK 7282	SN 85 / 108 VS							●	●	●					
SK 7382	SN 85 / 108 VS					●	●	●	●	●					
SK 8282	SN 100 / 128 VS							●	●	●	●				
SK 8382	SN 100 / 128 VS					●	●	●	●	●	●				
SK 9282	SN 130 / 158 VS										●	●	●	●	
SK 9382	SN 130 / 158 VS							●	●	●	●	●	●	●	

● Available

UNICASE™ Parallel Shaft Geared Motors with Motor Adapters Available with Heavy Duty Shrink Disc

Gear Unit	Shrink Disc Type	Motor Size													
		63	71	80	90	100	112	132	160	180	200	225	250	280	315
SK 7282	SN 85 / 108 VS							●	●	●	●	●			
SK 7382	SN 85 / 108 VS					●	●	●	●	●	●	●			
SK 8282	SN 100 / 128 VS							●	●	●	●	●			
SK 8382	SN 100 / 128 VS					●	●	●	●	●	●				
SK 9282	SN 130 / 158 VS									●	●	●	●	●	●
SK 9382	SN 130 / 158 VS							●	●	●	●	●	●	●	

● Available

UNICASE™ Parallel Shaft Gear Units with Shrink Disc

Gear Unit	Shrink Disc Type	$M_{2, max}$		Safety Factor	
		[Nm]	[lb-in]	s h6	s f6
SK 0282.1	SN 25 / 35 V	200	1770	2.51	1.99
SK 0282.1	SN 30 / 40 V	200	1770	4.85	4.21
SK 1282.1	SN 35 / 46 V	400	3540	3.28	2.84
SK 1282	SN 30 / 40 V	296	2620	3.56	3.03
SK 2282	SN 35 / 46 V	563	4983	2.53	2.15
SK 3282	SN 40 / 55 V	1039	9195	2.31	2.00
SK 4282	SN 50 / 62 V	2000	17700	2.26	2.10
SK 5282	SN 60 / 76 V	3235	28630	2.58	2.39
SK 6282	SN 70 / 90 V	6000	53100	2.33	2.16
SK 7282	SN 80 / 108 V	8300	73455	2.56	2.38
SK 8282	SN 100 / 128 V	13200	116820	2.38	2.25
SK 9282	SN 125 / 158 V	25400	224790	2.38	2.25
SK 10382.1	SN 160 / 210 V	43000	380550	3.18	3.04
SK 11382.1	SN 180 / 230 V	73000	646050	3.59	3.46

Gear Unit	Shrink Disc Type	$M_{2, max}$		Safety Factor	
		[Nm]	[lb-in]	s h6	s f6
SK 7282	SN 85 / 108 VS	8300	73455	4.02	3.76
SK 8282	SN 100 / 128 VS	13200	116830	3.69	3.44
SK 9282	SN 130 / 158 VS	25400	224790	4.03	3.83

NORDBLOC.1® Helical Bevel Gear Units with Shrink Disc

Gear Unit	Shrink Disc Type	$M_{2, max}$		Safety Factor	
		[Nm]	[lb-in]	s h6	s f6
SK 9x0072.1	20/24 TAS 3173	50	443	3.00	n.a.
SK 9x072.1	SN 25 / 34 V	90	797	4.14	3.14
SK 9x172.1	SN 25 / 35 V	120	1062	4.18	3.32
SK 9x372.1	SN 30 / 40 V	230	2036	4.22	3.65
SK 9x672.1	SN 35 / 46 V	380	3363	3.74	3.19
SK 9x772.1	SN 40 / 55 V	660	5841	3.64	3.16

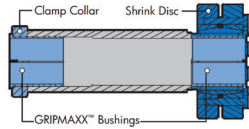
UNICASE™ Helical Bevel Gear Units with Shrink Disc

Gear Unit	Shrink Disc Type	$M_{2,max}$		Safety Factor	
		[Nm]	[lb-in]	s h6	s f6
SK 9012.1	SN 35 / 46 V	400	3540	3.56	3.03
SK 9016.1	SN 40 / 46 V	610	5399	3.41	3.18
SK 9022.1	SN 40 / 55 V	860	7611	2.80	2.42
SK 9032.1	SN 50 / 62 V	1550	13718	2.93	2.71
SK 9042.1	SN 60 / 76 V	2800	24780	2.99	2.75
SK 9052.1	SN 70 / 90 V	4800	42480	2.90	2.70
SK 9072.1	SN 95 / 108 V	8500	75225	3.72	3.60
SK 9082.1	SN 110 / 138 V	13000	115050	2.75	2.63
SK 9086.1	SN 125 / 158 V	20000	177000	3.01	2.86
SK 9092.1	SN 150 / 185 V	32000	283200	2.75	2.65
SK 9096.1	SN 150 / 195 V	50000	442500	2.60	2.49

Gear Unit	Shrink Disc Type	$M_{2,max}$		Safety Factor	
		[Nm]	[lb-in]	s h6	s f6
SK 9072.1	SN 95 / 108 VS	8500	75225	5.25	5.08
SK 9082.1	SN 110 / 138 VS	13000	115050	6.46	6.17
SK 9086.1	SN 130 / 158 VS	20000	177000	5.11	4.85
SK 9092.1	SN 150 / 195 VS	32000	283200	4.06	3.89
SK 9096.1	SN 155 / 195 VS	50000	442500	3.92	3.73

UNICASE™ Worm Gear Units with Shrink Disc

Gear Unit	Shrink Disc Type	$M_{2,max}$		Safety Factor	
		[Nm]	[lb-in]	s h6	s f6
SK 02040.1	SN 25 / 34 V	100	885	3.72	2.83
SK 02050	SN 25 / 35 V	182	1611	2.75	2.19
SK 02050	SN 30 / 40 V	182	1611	5.34	4.62
SK 12063	SN 30 / 40 V	383	3390	2.54	2.20
SK 12063	SN 35 / 46 V	383	3390	3.72	3.17
SK 12080	SN 40 / 55 V	779	6894	3.09	2.68
SK 12080	SN 45 / 55 V	779	6894	4.22	3.90
SK 32100	SN 50 / 62 V	1604	14195	2.82	2.63
SK 32100	SN 60 / 76 V	1604	14195	5.22	4.81
SK 42125	SN 60 / 76 V	3120	27612	2.68	2.48
SK 42125	SN 70 / 90 V	3120	27612	4.46	4.16



GRIPMAXX™ (M)

Torque Capacity

The GRIPMAXX torque capacity (F_T) is specified in the performance tables. The transmittable torque depends on the gearbox size and the bushing size without any external axial force and radial forces ($F_A = 0$ and $F_R = 0$). The maximum transmittable torque from GRIPMAXX is calculated without using a safety factor.

Axial Forces

The forces directed away from or towards the gearbox along the central axis of the driven shaft are referred to as axial force. The permissible axial force (F_A) is indicated in the performance tables. The presence of an axial load reduces the torque capacity of the GRIPMAXX connection. The transmittable axial force depends on the gearbox and bushing size.

Radial Forces

Radial forces act in a vertical direction on the axis of rotation of the driven solid shaft. Radial forces that can generate a bending moment include: the weight of the mounted components, a chain or belt tension, shaft deformations of the driven shaft, etc.

NORD does not recommend the use of GRIPMAXX if considerable bending moments or radial forces occur. These forces must be absorbed elsewhere in the system, not by the gear unit or the GRIPMAXX connection.



Design considerations

Boundary Conditions

- ▶ The solid shaft end must engage the full length of the gear unit hollow shaft.
- ▶ The yield strength of the customer shaft must be at least 360 N/mm² or 52,260 lb/in² so that the compressive forces required to generate sufficient friction do not lead to permanent deformation of the shaft.
- ▶ The contact surfaces of the hollow gearbox shaft, the bushing insert, and the corresponding customer shaft must be free of contamination.
- ▶ All fastening screws of the shrink disc must have the correct strength class and be tightened to the specified tightening torque.

Solid Shaft Tolerance Requirements

The recommended solid shaft tolerances for the GRIPMAXX connection are tabulated below.

Above [mm]	To & Including [mm]	ISO 268-2 Tolerance h11 [mm]
10	18	0.110
18	30	0.130
30	50	0.160
50	80	0.190
Above [in]	To & Including [in]	ISO 268-2 Tolerance h11 [in]
0.438	0.688	0.0043
0.750	1.063	0.0051
1.125	1.938	0.0063
2.000	3.125	0.0075

UNICASE™ Parallel Shaft Geared Motors Available with GRIPMAXX™

Gear Unit	Shrink Disc Type	Motor Size													
		63	71	80	90	100	112	132	160	180	200	225	250	280	315
SK 1282.1	SN 30 / 42 V	●	●	●	●										
SK 1382.1	SN 30 / 42 V	●	●	●	●										
SK 1282	SN 30 / 42 V	●	●	●											
SK 2282	SN 35 / 49 V		●	●	●	●									
SK 3282	SN 40 / 55 V		●	●	●	●	●								
SK 3382	SN 40 / 55 V	●	●	●	●										
SK 4282	SN 50 / 62 V				●	●	●	●							
SK 5282	SN 60 / 78 V				●	●	●	●	●						
SK 6282	SN 70 / 94 V					●	●	●	●	●					
SK 6382	SN 70 / 94 V				●	●	●	●	●	●					
SK 7282	SN 80 / 108 V							●	●	●					
SK 7382	SN 80 / 108 V					●	●	●	●	●					
SK 8282	SN 100 / 128 V							●	●	●	●	●			
SK 8382	SN 100 / 128 V					●	●	●	●	●	●	●			
SK 9282	SN 125 / 158 V										●	●	●	●	
SK 9382	SN 125 / 158 V							●	●	●	●	●	●	●	

● Available

Engineering Information

Shrink Disc & GRIPMAXX™



UNICASE™ Parallel Shaft Geared Motors with Motor Adapters Available with GRIPMAXX™

Gear Unit	Shrink Disc Type	Motor Size													
		63	71	80	90	100	112	132	160	180	200	225	250	280	315
SK 1282.1	SN 30 / 42 V	●	●	*	*	*	*								
SK 1382.1	SN 30 / 42 V	●	●	*	*	*	*								
SK 1282	SN 30 / 42 V	●	●	●	●										
SK 2282	SN 35 / 49 V		●	●	●	●	●								
SK 3282	SN 40 / 55 V		●	●	●	●	●	●							
SK 3382	SN 40 / 55 V	●	●	●	●	●	●	●							
SK 4282	SN 50 / 62 V				●	●	●	●	●						
SK 5282	SN 60 / 78 V				●	●	●	●	●	●					
SK 6282	SN 70 / 94 V					●	●	●	●	●	●	●			
SK 6382	SN 70 / 94 V				●	●	●	●	●	●					
SK 7282	SN 80 / 108 V							●	●	●	●	●			
SK 7382	SN 80 / 108 V					●	●	●	●	●	●	●			
SK 8282	SN 100 / 128 V							●	●	●	●	●	●	●	●
SK 8382	SN 100 / 128 V					●	●	●	●	●	●	●			
SK 9282	SN 125 / 158 V									●	●	●	●	●	●
SK 9382	SN 125 / 158 V							●	●	●	●	●	●	●	●

- Available
- * See adapter table

*1282.1 / 1382.1

Motor Size	Adapter	Aluminium	Cast Iron	
80	IEC	B14 C120	●	
		B14 C160	●	
		B5 A200	○	
	NEMA	N56C	●	○
		N140TC	●	○
90	IEC	B14 C140	●	
		B14 C160	●	
		B5 A200	○	
	NEMA	N140TC	●	○
100	IEC	B14 C160	●	
		B14 C200	○	
		B5 A250	○	
	NEMA	N180TC	●	○
112	IEC	B14 C160	●	
		B14 C200	○	
		B5 A250	○	
	NEMA	N180TC	●	○

- Available
- Not available

UNICASE™ Parallel Shaft Gear Units with GRIPMAXX

Gear Unit	GRIPMAXX Type	$M_{2,max}$		Safety Factor SM h11 (DiB _{max})
		[Nm]	[lb-in]	
SK 1282.1	SN 30 / 42 V	400	3540	3.10
SK 1282	SN 30 / 42 V	295	2611	4.14
SK 2282	SN 35 / 49 V	565	5000	3.18
SK 3282	SN 40 / 55 V	1040	9204	2.45
SK 4282	SN 50 / 62 V	2000	17700	2.24
SK 5282	SN 60 / 78 V	3235	28630	2.88
SK 6282	SN 70 / 94 V	6000	53100	2.54
SK 7282	SN 80 / 108 V	8300	73455	2.59
SK 8282	SN 100 / 128 V	13200	116820	2.31
SK 9282	SN 125 / 158 V	25400	224790	2.24

NORDBLOC.1® Helical Bevel Gear Units with GRIPMAXX

Gear Unit	GRIPMAXX Type	$M_{2,max}$		Safety Factor SM h11 (DiB _{max})
		[Nm]	[lb-in]	
SK 9x072.1	SN 25 / 34 V	81	717	5.00
SK 9x172.1	SN 30 / 42 V	120	1062	10.17
SK 9x372.1	SN 35 / 49 V	220	1947	8.16
SK 9x672.1	SN 50 / 62 V	364	3221	12.31
SK 9x772.1	SN 50 / 62 V	660	5841	6.79

UNICASE™ Helical Bevel Gear Units with GRIPMAXX

Gear Unit	GRIPMAXX Type	$M_{2,max}$		Safety Factor SM h11 (DiB _{max})
		[Nm]	[lb-in]	
SK 9012.1	SN 35 / 49 V	400	3540	4.49
SK 9016.1	SN 35 / 49 V	610	5399	2.94
SK 9022.1	SN 40 / 55 V	860	7611	2.96
SK 9032.1	SN 50 / 62 V	1550	13718	2.89
SK 9042.1	SN 60 / 78 V	2800	24780	3.33
SK 9052.1	SN 70 / 94 V	4800	42480	3.18
SK 9072.1	SN 90 / 119 V	8500	75225	3.41
SK 9082.1	SN 110 / 138 V	13000	115050	2.57

UNICASE™ Worm Gear Units with GRIPMAXX

Gear Unit	GRIPMAXX Type	$M_{2,max}$		Safety Factor SM h11 (DiB _{max})
		[Nm]	[lb-in]	
SK 02050	SN 30 / 42 V	180	1593	6.78
SK 12063	SN 35 / 49 V	385	3407	4.66
SK 12080	SN 50 / 62 V	780	6903	5.74
SK 32100	SN 60 / 78 V	1605	14204	5.81
SK 42125	SN 60 / 78 V	3120	27612	2.99

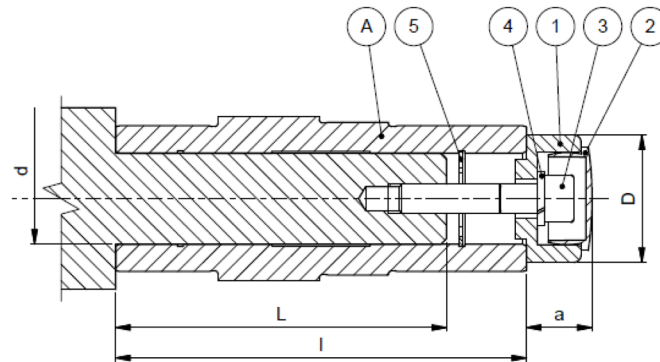
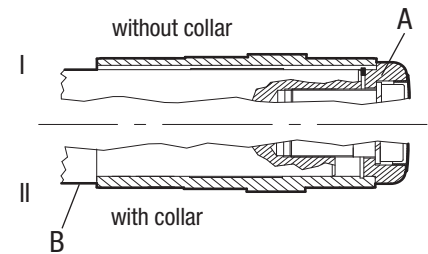
Fixing Element (B)

To combat inherent, slight oscillations in rotating shafts, NORD offers an optional fixing element kit. This method prevents the gear unit from “walking out” of position. The kit includes all necessary parts to secure the shaft in the axial direction by using a tapped hole in the end of the mating male shaft.

There are two methods for securing the fixing element kit. The first involves pulling the supplied male shaft to the snap ring (type 1). For the second method, the supplied shaft is shouldered (type 2) and pulled against the hollow shaft and not the snap ring.

Prerequisites for use:

- ▶ The solid shaft used must be equipped with a face-side thread as per DIN 332/2.
- ▶ The fixing elements are suitable for both solid shafts without collars (I) and with collars (II).
- ▶ For attachment according to I, the solid shaft is fixed by means of a securing ring located in the hollow shaft (item A).
- ▶ For attachment according to II, the collar of the solid shaft is in direct contact with the hollow shaft (item B).



Fixing element kit included parts

- ▶ The fixing element consists of items 1 – 5
 - ▶ L = Length of customer's shaft
- A. Hollow shaft
 1. Washer
 2. Sealing cap
 3. Socket head cap screw
 4. Lock washer
 5. Retaining washer

Dimensions and more information can be found in the respective dimensions section. Reference the manual B1000 for installation and maintenance (download at www.nord.com).

Fixing Element Data - Metric

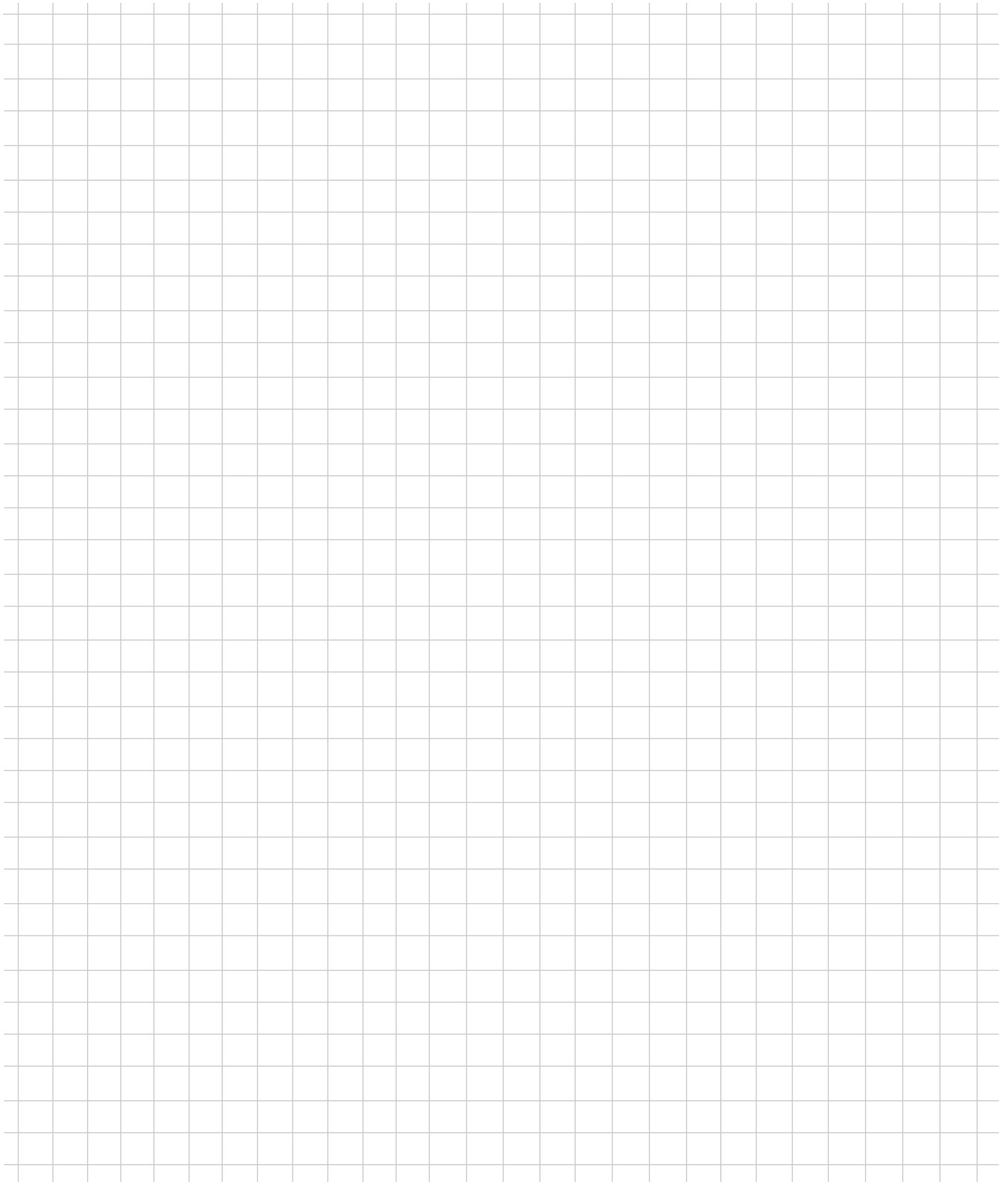
Shaft Diameter [mm]	l [mm]	L [mm]	1		3						4	5
			a	D								
14	68	50	14.8	25	M5 x 30	M5 x 16					A5	-
18	83	65	14	30	M6 x 30	M6 x 20					A6	I 18
20	83 – 125	65 – 102	9.6	30	M6 x 40	M6 x 35	M6 x 30	M6 x 25	M6 x 20		A6	IS 20
25	97 – 132	79 – 110	19.2	35	M10 x 50	M10 x 45	M10 x 40	M10 x 30			A10	IS 25
30	122 – 170	102 – 140	19.2	40	M10 x 55	M10 x 50	M10 x 45	M10 x 40	M10 x 30	M10 x 25	A10	IS 30
35	130 – 180	110 – 150	32	45	M12 x 55	M12 x 50	M12 x 35				A12	IS 35
40	145 – 210	120 – 170	24.4	55	M16 x 70	M16 x 65	M16 x 60	M16 x 45			A16	IS 40
45	168 – 192	135 – 162	25.4	60	M16 x 70	M16 x 65	M16 x 45				A16	IS 45
50	170 – 240	140 – 200	25.4	65	M16 x 70	M16 x 65	M16 x 45				A16	IS 50
55	192	162	28.8	95	M20 x 70	M20 x 55					A20	IS 55
60	202 – 300	155 – 255	28.8	75	M20 x 90	M20 x 55					A20	IS 60
70	250 – 350	205 – 290	28.8	95	M20 x 100	M20 x 90	M20 x 55				A20	IS 70
80	310 – 350	250 – 290	28.8	102	M20 x 100	M20 x 55					A20	IS 80
90	350	290	34	102	M24 x 110	M24 x 60					A24	IS 90
100	366 – 420	310 – 365	34	120	M24 x 110	M24 x 65					A24	IS 100
110	420 – 500	360 – 440	34	135	M24 x 110	M24 x 65					A24	IS 110
120	430 – 610	370 – 550	34	150	M24 x 110	M24 x 65					A24	IS 120
150	610	550	39.1	200	M30 x 120	M30 x 70					A30	IS 150
160	475 – 674	418 – 614	47	200	M36 x 130	M36 x 100					A36	I 160
180	522 – 546	460 – 480	47	240	M36 x 140	M36 x 100					A36	I 180

Engineering Information

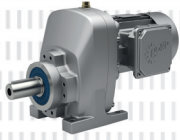
Fixing Element Kit

Fixing Element Data - Imperial

Shaft Diameter [in]	l [in]	L [in]	1		Thread	3			4 [in]	5 [in]	
			a	D		Bolt Length					
0.5000	3.937 – 4.764	3.717 – 4.591	0.563	0.984	#10-32UNF x	0.625	0.75	1.25		#10	0.500 x 0.035
0.6250	2.677	2.504 – 2.512	0.563	0.984	#10-32UNF x	0.625	0.75	1.25		#10	l 16
0.7500	3.268 – 6.220	3.043 – 6.040	0.551	1.181	1/4-20UNC x	0.75	1.125	1.25	1.50	1/4	IS 20 x 1.5
1.0000	3.268 – 6.220	3.043 – 6.008	0.756	1.378	3/8-16UNC x	1.00	1.25	1.50	1.75	3/8	IS 26 x 1.5
1.1250	3.819	3.594 – 3.607	0.756	1.378	3/8-16UNC x	1.00	1.25	1.50	1.75	3/8	IS 30 x 1.5
1.1875	4.606 – 6.457	3.850 – 6.245	0.756	1.575	7/16-14UNC x	1.250	1.50	2.00	2.25	7/16	IS 32 x 1.5
1.2500	4.606 – 6.929	3.850 – 6.717	0.756	1.575	7/16-14UNC x	1.250	1.50	2.00	2.25	7/16	IS 32 x 1.5
1.3750	5.472 – 7.087	3.850 – 6.827	0.906	1.772	5/8-11UNC x	1.75	2.25	2.50		5/8	IS 35 x 1.75
1.4375	4.606 – 8.268	3.850 – 8.008	0.906	1.772	5/8-11UNC x	1.75	2.25	2.50		5/8	IS 37 x 1.75
1.5000	5.472 – 8.268	4.240 – 8.008	0.906	1.772	5/8-11UNC x	1.75	2.25	2.50		5/8	IS 38 x 1.75
1.6250	6.85	6.142 – 6.591	0.933	2.165	5/8-11UNC x	1.50	2.00	2.50		5/8	IS 42 x 2.00
1.6875	7.677 – 8.268	6.431 – 8.008	0.933	2.165	5/8-11UNC x	1.50	2.00	2.50		5/8	IS 45 x 2.00
1.7500	6.614	5.372 – 6.355	0.933	2.165	5/8-11UNC x	1.50	2.00	2.50		5/8	IS 45 x 2.00
1.8125	6.614	5.372 – 6.315	0.972	2.362	5/8-11UNC x	1.50	2.50			5/8	IS 47 x 2.00
1.9375	5.118 – 9.449	4.803 – 9.150	0.972	2.362	5/8-11UNC x	1.50	2.50			5/8	IS 50 x 2.50
2.0000	7.677 – 9.449	6.423 – 9.071	0.972	2.559	5/8-11UNC x	1.75	2.75			5/8	IS 52 x 2.50
2.0625	7.677	6.423 – 7.300	0.972	2.559	5/8-11UNC x	1.75	2.75			5/8	IS 55 x 2.50
2.1875	9.055 – 9.449	7.581 – 9.071	0.972	2.559	5/8-11UNC x	1.75	2.75			5/8	IS 60 x 3.00
2.3750	7.953 – 11.811	6.478 – 11.394	1.142	2.953	3/4-10UNC x	2.00	3.00			3/4	IS 62 x 3.00
2.4375	7.953 – 11.811	6.478 – 11.394	1.142	2.953	3/4-10UNC x	2.00	3.00			3/4	IS 62 x 3.00
2.7500	9.843 – 13.780	8.453 – 13.363	1.142	3.740	3/4-10UNC x	2.00	3.00			3/4	IS 70 x 3.00
2.9375	9.843 – 13.780	8.453 – 13.363	1.142	3.740	3/4-10UNC x	2.00	3.00			3/4	IS 75 x 3.00
3.1875	12.205	10.711 – 11.788	1.142	3.740	3/4-10UNC x	2.00	3.00			3/4	l 82
3.2500	12.205 – 13.780	10.711 – 13.363	1.142	4.016	3/4-10UNC x	2.00	3.25			3/4	IS 85 x 4.00
3.4375	13.780 – 14.409	12.226 – 13.993	1.142	4.016	3/4-10UNC x	2.00	3.25			3/4	IS 90 x 4.00
3.6250	13.78	12.285 – 13.363	1.339	4.331	3/4-10UNC x	2.00	3.25			3/4	IS 95 x 4.00
3.9375	14.409 – 16.535	12.573 – 16.079	1.346	4.724	7/8-9UNC x	2.25	3.75			7/8	IS 100 x 4.00
4.0000	14.409 – 16.535	12.656 – 16.079	1.346	4.724	7/8-9UNC x	2.25	3.75			7/8	l 102
4.0625	14.409	12.656 – 13.953	1.346	4.724	7/8-9UNC x	2.25	3.75			7/8	l 105
4.3750	19.685	17.734 – 19.229	1.346	5.315	7/8-9UNC x	2.25	3.75			7/8	l 112
4.4375	16.535 – 19.685	14.797 – 19.229	1.346	5.315	7/8-9UNC x	2.25	3.75			7/8	l 115
4.5000	19.685	17.947 – 19.229	1.346	5.315	7/8-9UNC x	2.25	3.75			7/8	l 115
4.7500	16.929 – 19.685	15.175 – 19.308	1.339	5.906	7/8-9UNC x	2.25	3.75			7/8	l 125
4.9375	16.929	15.175 – 16.552	1.339	5.906	7/8-9UNC x	2.25	3.75			7/8	l 130
5.5000	24.016	22.104 – 23.560	1.539	7.874	1-8UNC x	2.50	4.00			1	l 140
6.0000	26.535	25.585 – 26.079	1.539	7.874	1-8UNC x	2.50	3.00			1	l 155
6.2500	18.701	17.750 – 18.245	1.539	7.874	1-8UNC x	2.50	3.00			1	l 160
6.5000	20.551	19.600 – 19.780	1.850	7.874	1-8UNC x	2.75	3.00			1	l 170

A large grid area for taking notes, consisting of a 20x20 grid of squares.

NORDBLOC.1 Helical gear units



ENQUIRY FORM B - 2

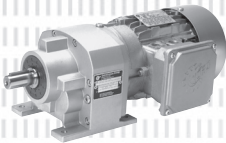
VERSIONS AVAILABLE B - 3

GEAR UNIT MOTOR DATA

Power and speed tables B - 4

Power and speed tables

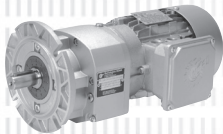
W, IEC, AI - adapters B - 60



DIMENSIONED DRAWINGS*

Helical geared motors B - 79

W, IEC, AI, NEMA - adapters B - 118



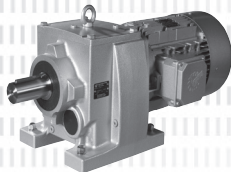
OPTIONS*

Z Flange mounted design, B14 flange B - 122

XZ Foot-mounted housing with B14 flange B - 124

XF Foot-mounted housing with B5 flange B - 126

Further output flanges B - 129



* All specifications in mm unless otherwise indicated.

Enquiry form



This general enquiry form can be found in the attachment as well as on the NORD homepage under www.nord.com - Heading DOCUMENTATION / FORMS.



General Enquiry Form



Company: _____
 Customer number: _____
 Town / Zip Code/
 Country: _____
 Contact: _____
 E-Mail: _____
 Phone: _____

Please send the request to your local NORD contact.

See homepage:
www.nord.com
 (NORD group → Sales)



Reference: _____
 Date: _____

NORDBLOC.1
Helical gear unit

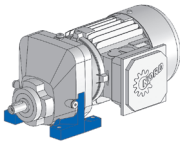
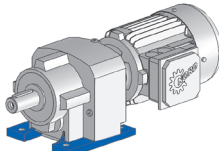
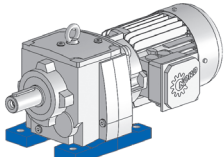
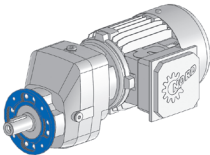
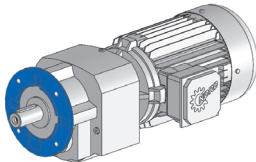
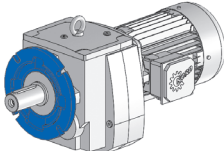
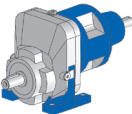
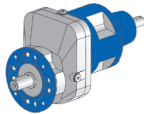
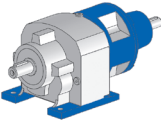
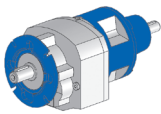
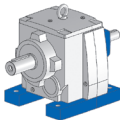
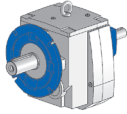
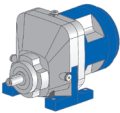
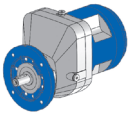
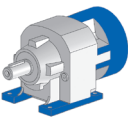
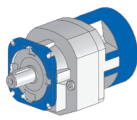
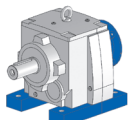
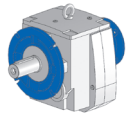
	Helical- inline* G1000/G2000		Helical- Parallel shaft* G1000		Helical-bevel* G1000		Worm* G1000/G1035
Geared motor		Adapter for IEC-/Nema-motor/Servo*		Stand alone motor (M7000)			
W – type (free input shaft): External forces: Axial F _{A1} : _____ [N] Radial F _{R1} : _____ [N]; Lever from shaft shoulder: _____ [mm]							
Gear type acc. to catalogue: _____				Quantity: _____			

Gearbox-specific parameter	Frequency inverter operation
Output speed n ₂ at line frequency: _____ [rpm]	Cabinet mounted Motor mounted
Output torque M ₂ : _____ [Nm]	Frequency range from: _____ [Hz] to _____ [Hz]
Ratio i: _____	Motor speed n ₁ : _____ [rpm] to _____ [rpm]
Mounting position (M1 – M6): _____	Constant torque within frequency range: _____ [Nm]
Flange: B14 B5 Ø _____ [mm]	Characteristic: 50 Hz 70 Hz 87 Hz 100 Hz
Hollow shaft Solid shaft Ø _____ x _____ [mm]	Encoder*: Incremental Absolute
Operating factor f _B : _____	Regenerative operation: Generated power _____ [kW]
Minimum bearing life L10h: _____ [h]	Ambient conditions
External forces at output: Axial F _{A2} : _____ [N]	Ambient temperature: min. _____ to max. _____ [°C]
Radial F _{R2} : _____ [N] Lever from shaft shoulder: _____ [mm]	Max. rel. humidity RH: _____ [%]
Bearing: normal VL VL2 VL3 AL	Max. installation height (if > 1.000 m): _____ [m]
Helical-bevel and Worm: A/B side for flange/shaft*	Indoor Outdoor Water contact* Direct sun light
Oil: Mineral Synthetic Food grade Bio-degradable	Other (dust/dirt/aggressive media; mechanical/chemical)*
Special oil: _____	ATEX
Motor-specific parameter	ATEX gas
Rated motor power P ₁ : _____ [kW]	Zone 1 Ex II 2G Zone 21 Ex II 2D
Motor speed n ₁ : _____ [rpm]	Zone 2 Ex II 3G Zone 22 Ex II 3D
PTC thermistors (TF) Bimetallic switches (TW)	Ex eb II T3 Non-conductive dust
Line voltage: _____ [V] Line frequency: _____ [Hz]	Ex de IIC T4 Conductive dust (only Zone 21)
Efficiency class: IE1 IE2 IE3 IE4	Paint / Surface treatment
Protection class: IP55 (Standard) IP _____	None 1.0 2.0 (Standard) 3.0 3. _____
Operating mode: S1 (Standard) S _____*	
Cycle rate: _____ [c/h]	Colour (RAL): Blue (5010) Grey (7031)
Cycle duty: _____ [%] Backstop (RLS)	Special colour (RAL-No. / Colour): _____
Ventilation: Standard External (F) None (OL)	Comments
Terminal box position: _____ Cable entries: _____	
Brake-specific parameter	
Brake torque M _B : _____ [Nm] Manual release (HL)	
Brake-/Coil voltage: _____ [V]	
Parking/emergency brake Working brake	
ATEX documentation, O&M manuals (language code according to ISO 639-1):	
DE BG ZH CS DA ES FI FR EN EL HU IT NL NO PL PT RU SV SK LV RO	

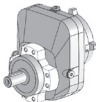
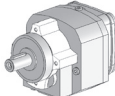
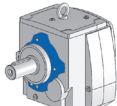
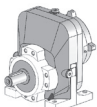
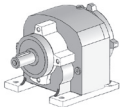
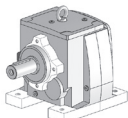
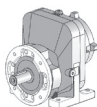
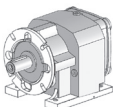
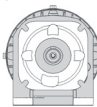
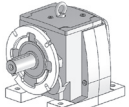
*Please add details in comments - Getriebbau NORD GmbH & Co. KG | Getriebbau-Nord-Str. 1 | D-22941 Bargteheide - EN-0919

Examples - available versions

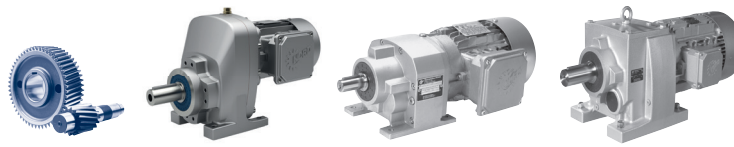
NORDBLOC.1
Helical gear unit

Sizes SK 071.1 - 771.1	Sizes SK 072.1 - 673.1	Sizes SK 772.1 - 973.1
 SK 071.1 - 90 SP/4 Foot-mounted housing, 1-stage	 SK 572.1 - 80 SP/4 Foot-mounted housing, 2-stage	 SK 772.1 - 100 LP/4 Foot-mounted housing, 2-stage
 SK 371.1 F - 90 SP/4 Flange mounted design, B5 flange, 1-stage	 SK 673.1 F - 112 MP/4 Flange mounted design, B5 flange, 3-stage	 SK 873.1 F - 90 LP/4 Flange mounted design, B5 flange, three-stage
  SK 171.1 - W Foot mounted housing, free input shaft	  SK 172.1 - W Foot mounted housing, free input shaft	  SK 972.1 - W Foot mounted housing, free input shaft
  SK 071.1 - IEC Foot mounted housing, IEC-Adapter	  SK 072.1 - IEC Foot mounted housing, IEC-Adapter	  SK 973.1 - IEC Foot mounted housing, IEC-Adapter

Housing options

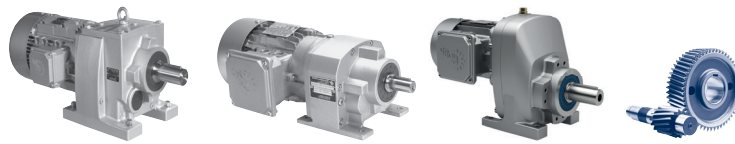
 Housing in flange mounted design with B14 flange, Type supplement Z	 Housing in flange mounted design with B14 flange, Type supplement Z	 Housing in flange mounted design with B14 flange, Type supplement Z
 Housing in foot mounted design with B14 flange, Type supplement XZ	 Housing in foot mounted design with B14 flange, Type supplement XZ	 Housing in foot mounted design with B14 flange, Type supplement XZ
 Housing in foot mounted design with B5 flange, Type supplement XF	  (SK 072.1 F) Housing in foot mounted design with B5 flange, Type supplement XF	 Housing in foot mounted design with B5 flange, Type supplement XF

0,12 kW



NORDBLOC.1
Helical gear unit

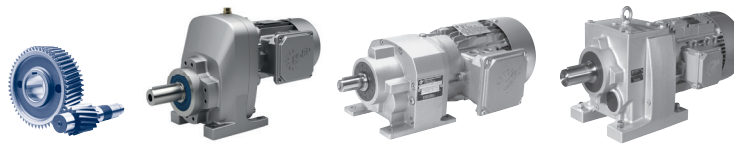
P_1 [kW]	n_2 [r/min]	M_2 [Nm]	f_B	i_{total}	F_R [kN]	F_A	$F_{R VL}$ [kN]	$F_{A VL}$ [kN]	Type	kg	mm
0,12	370	3,1	6,5	3,70	1,4	2,5	2,0	3,5	SK 071.1 - 63 SP/4	6,1	B79
	285	4,0	4,2	4,80	1,5	2,5	2,0	3,5			
	247	4,6	3,2	5,56	1,6	2,5	2,0	3,5			
	188	6,1	2,0	7,29	1,7	2,5	2,0	3,5			
	125	* 7,8	0,8	11,00	1,9	2,5	2,0	3,5			
	104	11,0	4,3	13,20	2,5	2,9			SK 072.1 - 63 SP/4	6,2	B90
	95	12,0	4,2	14,40	2,5	2,9					
	87	13,2	4,2	15,77	2,5	2,9					
	79	14,5	3,8	17,35	2,5	2,9					
	71	16,1	3,4	19,20	2,5	2,9					
	64	17,9	3,1	21,38	2,5	2,9					
	62	18,6	3,0	22,22	2,5	2,9					
	55	20,7	2,7	24,75	2,5	2,9					
	49	23,2	2,3	27,78	2,5	2,9					
	42	27,1	2,0	32,45	2,5	2,9					
	38	30,5	1,8	36,43	2,5	2,9					
	33	35,2	1,4	42,10	2,5	2,9					
	28	41,0	1,1	49,00	2,5	2,9					
	25	46,0	1,1	55,00	2,5	2,9					
	22	53,2	0,9	63,56	2,5	2,9					
	221	5,2	5,0	6,20	2,6	3,3	3,0	4,5	SK 171.1 - 63 SP/4	7	B80
	177	6,5	3,2	7,75	2,7	3,3	3,0	4,5			
	148	7,8	2,2	9,29	2,9	3,3	3,0	4,5			
	98	* 9,9	0,8	14,00	3,0	3,3	3,0	4,5			
	67	17,0	5,0	20,37	2,8	3,9			SK 172.1 - 63 SP/4	7,9	B91
	61	18,7	4,9	22,42	2,8	3,9					
	55	20,7	4,4	24,80	2,8	3,9					
	50	23,1	4,0	27,62	2,8	3,9					
	44	25,9	3,5	31,00	2,8	3,9					
	40	28,9	3,0	34,52	2,8	3,9					
	35	32,4	2,6	38,75	2,8	3,9					
	33	34,6	2,5	41,36	2,8	3,9					
	30	38,8	2,2	46,43	2,8	3,9					
	25	45,2	1,9	54,03	2,8	3,9					
	22	52,2	1,2	62,36	2,8	3,9					
	20	58,6	1,2	70,00	2,8	3,9					
	17	68,1	1,2	81,45	2,8	3,9					
	169	6,8	4,6	8,11	4,0	3,9	4,0	7,0	SK 371.1 - 63 SP/4	8,3	B81
	150	7,6	3,8	9,12	4,0	3,9	4,0	7,0			
	126	9,1	2,5	10,86	4,0	3,9	4,0	7,0			
	32	36,2	4,7	43,26	5,8	10,2	8,0	10,2	SK 372.1 - 63 SP/4	10,8	B92
	25	45,0	3,6	53,84	5,8	10,2	8,0	10,2			
	23	50,9	2,9	60,83	5,8	10,2	8,0	10,2			
	21	53,6	3,0	64,06	5,8	10,2	8,0	10,2			
	19	60,5	2,5	72,38	5,8	10,2	8,0	10,2			
	37	31,1	6,4	37,23	5,8	10,2	8,0	10,2	SK 373.1 - 63 SP/4	11,3	B93
	32	35,5	5,6	42,46	5,8	10,2	8,0	10,2			
	29	39,4	5,3	47,05	5,8	10,2	8,0	10,2			
	25	45,2	4,6	54,00	5,8	10,2	8,0	10,2			
	23	50,4	4,0	60,22	5,8	10,2	8,0	10,2			
	21	54,1	3,7	64,70	5,8	10,2	8,0	10,2			
	18	62,1	3,2	74,27	5,8	10,2	8,0	10,2			
	17	69,1	3,0	82,57	5,8	10,2	8,0	10,2			



P_1 [kW]	n_2 [r/min]	M_2 [Nm]	f_B	i_{total}	F_R [kN]	F_A	$F_{R VL}$ [kN]	$F_{A VL}$ [kN]	Type	kg	mm B
0,12	15	76,5	2,7	91,48	5,7	10,2	8,0	10,2	SK 373.1 - 63 SP/4	11,3	B93
	13	85,3	2,3	102,01	5,7	10,2	8,0	10,2			
	11	101	2,0	120,54	5,6	10,2	7,9	10,2			
	10	109	1,8	130,87	5,6	10,2	7,9	10,2			
	9,4	121	1,7	145,00	5,5	10,2	7,8	10,2			
	8,3	139	1,5	165,94	5,4	10,2	7,8	10,2			
	7,4	155	1,4	185,05	5,3	10,2	7,7	10,2			
	7,0	164	1,3	196,07	5,3	10,2	7,6	10,2			
	6,6	174	1,1	207,98	5,2	10,2	7,6	10,2			
	6,0	191	1,2	228,22	5,0	10,2	7,5	10,2			
	5,3	215	0,9	256,50	4,8	10,2	7,3	10,2			
	5,1	226	1,0	269,67	4,7	10,2	7,2	10,2			
	4,5	* 254	0,8	303,08	4,3	10,2	7,0	10,2			
	4,0	* 238	0,8	343,92	4,5	10,2	7,1	10,2			
		18	64,3	7,0	76,88	10,1	14,5	11,0			
	18	64,3	7,0	76,88	7,7	14,5	11,0	14,5			
	16	71,2	6,3	85,18	10,1	14,5	11,0	14,5			
	16	71,2	6,3	85,18	7,7	14,5	11,0	14,5			
	14	79,0	5,7	94,50	10,1	14,5	11,0	14,5			
	14	79,0	5,7	94,50	7,7	14,5	11,0	14,5			
	13	89,8	4,8	107,42	10,1	14,5	11,0	14,5			
	13	89,8	4,8	107,42	7,7	14,5	11,0	14,5			
	11	105	4,3	125,45	10,1	14,5	11,0	14,5			
	11	105	4,3	125,45	7,6	14,5	11,0	14,5			
	9,7	118	3,8	141,13	10,1	14,5	11,0	14,5			
	9,7	118	3,8	141,13	7,6	14,5	11,0	14,5			
	8,6	133	3,4	158,78	10,1	14,5	11,0	14,5			
	8,6	133	3,4	158,78	7,6	14,5	11,0	14,5			
	7,3	158	2,8	188,91	10,0	14,5	11,0	14,5			
	7,3	158	2,8	188,91	7,5	14,5	11,0	14,5			
	6,8	168	2,7	201,16	10,0	14,5	11,0	14,5			
	6,8	168	2,7	201,16	7,5	14,5	11,0	14,5			
	6,1	189	2,4	226,30	10,0	14,5	11,0	14,5			
	6,1	189	2,4	226,30	7,4	14,5	11,0	14,5			
	5,1	225	2,0	269,26	9,9	14,5	11,0	14,5			
	5,1	225	2,0	269,26	7,2	14,5	11,0	14,5			
	4,5	253	1,7	302,91	9,8	14,5	11,0	14,5			
	4,5	253	1,7	302,91	7,0	14,5	11,0	14,5			
	4,3	264	1,6	316,18	9,7	14,5	11,0	14,5			
	4,3	264	1,6	316,18	7,0	14,5	11,0	14,5			
	3,6	315	1,3	376,20	9,5	14,5	11,0	14,5			
	3,6	315	1,3	376,20	6,6	14,5	11,0	14,5			
	3,4	337	1,1	402,80	9,3	14,5	11,0	14,5			
	3,4	337	1,1	402,80	6,4	14,5	11,0	14,5			
	10	109	5,9	130,55	11,0	20,0	15,0	20,0	SK 673.1 - 63 SP/4	24,8	B99
	9,6	120	5,3	143,3	11,0	20,0	15,0	20,0			
	7,7	149	4,3	177,94	10,9	20,0	15,0	20,0			
	7,5	152	4,2	181,88	10,9	20,0	15,0	20,0			
	7,1	162	3,9	194,11	10,9	20,0	15,0	20,0			
	6,3	183	3,5	219,00	10,9	20,0	15,0	20,0			
	5,5	208	3,1	248,20	10,8	20,0	15,0	20,0			
	4,9	234	2,7	279,23	10,7	20,0	15,0	20,0			
	4,5	255	2,5	304,61	10,7	20,0	15,0	20,0			
	4,1	278	2,3	332,23	10,6	20,0	15,0	20,0			
	3,8	303	2,1	362,43	10,5	20,0	15,0	20,0			

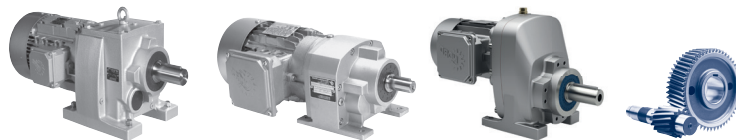
NORDBLOC.1
Helical gear unit


0,18 kW



NORDBLOC.1
Helical gear unit

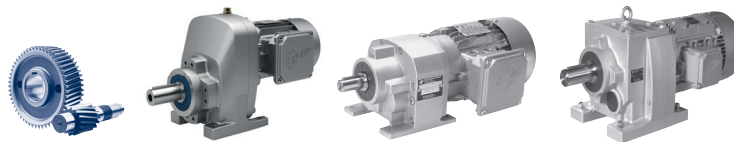
P_1 [kW]	n_2 [r/min]	M_2 [Nm]	f_B	i_{total}	F_R [kN]	F_A	$F_{R VL}$ [kN]	$F_{A VL}$ [kN]	Type	kg	mm
0,18	374	4,6	4,4	3,70	1,3	2,5	2,0	3,5	SK 071.1 - 63 LP/4	6,9	B79
	289	6	2,9	4,80	1,5	2,5	2,0	3,5			
	249	6,9	2,2	5,56	1,5	2,5	2,0	3,5			
	190	9	1,3	7,29	1,7	2,5	2,0	3,5			
	155	11,1	5,0	8,91	2,5	2,9			SK 072.1 - 63 LP/4	7,1	B90
	139	12,4	4,4	10,00	2,5	2,9					
	120	14,3	3,5	11,56	2,5	2,9					
	105	16,4	2,9	13,20	2,5	2,9					
	96	17,9	2,9	14,40	2,5	2,9					
	88	19,6	2,8	15,77	2,5	2,9					
	80	21,5	2,6	17,35	2,5	2,9					
	72	23,8	2,3	19,20	2,5	2,9					
	65	26,5	2,1	21,38	2,5	2,9					
	62	27,6	2,0	22,22	2,5	2,9					
	56	30,7	1,8	24,75	2,5	2,9					
	50	34,5	1,6	27,78	2,5	2,9					
	43	40,3	1,4	32,45	2,5	2,9					
	38	45,2	1,2	36,43	2,5	2,9					
	33	52,2	1,0	42,10	2,5	2,9					
	289	6	5,7	4,80	2,3	3,3	3,0	4,5	SK 171.1 - 63 LP/4	7,8	B80
	223	7,7	3,4	6,20	2,5	3,3	3,0	4,5			
	179	9,6	2,2	7,75	2,7	3,3	3,0	4,5			
	149	11,5	1,5	9,29	2,9	3,3	3,0	4,5			
	88	19,6	4,3	15,76	2,8	3,9			SK 172.1 - 63 LP/4	8,8	B91
	74	23,1	3,6	18,60	2,8	3,9					
	68	25,3	3,4	20,37	2,8	3,9					
	62	27,8	3,3	22,42	2,8	3,9					
	56	30,8	3,0	24,80	2,8	3,9					
	50	34,3	2,7	27,62	2,8	3,9					
	45	38,5	2,4	31,00	2,8	3,9					
	40	42,8	2,0	34,52	2,8	3,9					
	36	48,1	1,8	38,75	2,8	3,9					
	33	51,3	1,7	41,36	2,8	3,9					
	30	57,6	1,5	46,43	2,8	3,9					
	26	67	1,3	54,03	2,8	3,9					
	22	77,4	0,8	62,36	2,8	3,9					
	20	86,9	0,8	70,00	2,8	3,9					
	17	101	0,8	81,45	2,8	3,9					
	171	10,1	3,1	8,11	4,0	3,9	4,0	7,0	SK 371.1 - 63 LP/4	9,1	B81
	152	11,3	2,6	9,12	4,0	3,9	4,0	7,0			
	128	13,5	1,7	10,86	4,0	3,9	4,0	7,0			
	36	47,3	3,8	38,12	5,8	10,2	8,0	10,2	SK 372.1 - 63 LP/4	11,7	B92
	32	53,7	3,2	43,26	5,8	10,2	8,0	10,2			
	26	66,8	2,4	53,84	5,8	10,2	8,0	10,2			
	23	75,5	2,0	60,83	5,7	10,2	8,0	10,2			
	22	79,5	2,0	64,06	5,7	10,2	8,0	10,2			
	19	89,8	1,7	72,38	5,7	10,2	7,9	10,2			
	53	32,2	6,5	25,94	5,8	10,2	8,0	10,2	SK 373.1 - 63 LP/4	12,2	B93
	47	36,9	5,7	29,77	5,8	10,2	8,0	10,2			
	42	41,2	4,9	33,20	5,8	10,2	8,0	10,2			
	37	46,2	4,3	37,23	5,8	10,2	8,0	10,2			



P_1 [kW]	n_2 [r/min]	M_2 [Nm]	f_B	i_{total}	F_R [kN]	F_A	$F_{R VL}$ [kN]	$F_{A VL}$ [kN]	Type	kg	mm 
0,18	33	52,7	3,8	42,46	5,8	10,2	8,0	10,2	SK 373.1 - 63 LP/4	12,2	B93
	29	58,4	3,6	47,05	5,8	10,2	8,0	10,2			
	26	67	3,1	54,00	5,8	10,2	8,0	10,2			
	23	74,7	2,7	60,22	5,7	10,2	8,0	10,2			
	21	80,3	2,5	64,70	5,7	10,2	8,0	10,2			
	19	92,2	2,2	74,27	5,7	10,2	7,9	10,2			
	17	102	2,0	82,57	5,6	10,2	7,9	10,2			
	15	114	1,8	91,48	5,6	10,2	7,9	10,2			
	14	127	1,6	102,01	5,5	10,2	7,8	10,2			
	11	150	1,3	120,54	5,4	10,2	7,7	10,2			
	11	162	1,2	130,87	5,3	10,2	7,7	10,2			
	9,6	180	1,2	145,00	5,1	10,2	7,6	10,2			
	8,3	206	1,0	165,94	4,9	10,2	7,4	10,2			
	7,5	230	0,9	185,05	4,6	10,2	7,2	10,2			
	7,1	243	0,9	196,07	4,4	10,2	7,1	10,2			
	25	69,3	6,5	55,80	10,1	14,5	11,0	14,5	SK 573.1 - 63 LP/4	19,7	B95
	25	69,3	6,5	55,80	7,7	14,5	11,0	14,5			
	23	75,7	5,9	60,97	10,1	14,5	11,0	14,5			
	23	75,7	5,9	60,97	7,7	14,5	11,0	14,5			
	20	83,9	5,4	67,64	10,1	14,5	11,0	14,5			
	20	83,9	5,4	67,64	7,7	14,5	11,0	14,5			
	18	95,4	4,7	76,88	10,1	14,5	11,0	14,5			
	18	95,4	4,7	76,88	7,7	14,5	11,0	14,5			
	16	106	4,3	85,18	10,1	14,5	11,0	14,5			
	16	106	4,3	85,18	7,6	14,5	11,0	14,5			
	15	117	3,8	94,50	10,1	14,5	11,0	14,5			
	15	117	3,8	94,50	7,6	14,5	11,0	14,5			
	13	133	3,2	107,42	10,1	14,5	11,0	14,5			
	13	133	3,2	107,42	7,6	14,5	11,0	14,5			
	11	156	2,9	125,45	10,0	14,5	11,0	14,5			
	11	156	2,9	125,45	7,5	14,5	11,0	14,5			
	9,8	175	2,6	141,13	10,0	14,5	11,0	14,5			
	9,8	175	2,6	141,13	7,4	14,5	11,0	14,5			
	8,7	197	2,3	158,78	9,9	14,5	11,0	14,5			
	8,7	197	2,3	158,78	7,3	14,5	11,0	14,5			
	7,3	234	1,9	188,91	9,8	14,5	11,0	14,5			
	7,3	234	1,9	188,91	7,2	14,5	11,0	14,5			
	6,9	250	1,8	201,16	9,8	14,5	11,0	14,5			
	6,9	250	1,8	201,16	7,1	14,5	11,0	14,5			
	6,1	281	1,6	226,30	9,7	14,5	11,0	14,5			
	6,1	281	1,6	226,30	6,9	14,5	11,0	14,5			
	5,1	334	1,3	269,26	9,2	14,5	11,0	14,5			
	5,1	334	1,3	269,26	6,5	14,5	11,0	14,5			
	4,6	376	1,2	302,91	8,7	14,5	11,0	14,5			
	4,6	376	1,2	302,91	6,1	14,5	11,0	14,5			
	4,4	392	1,1	316,18	8,4	14,5	11,0	14,5			
	4,4	392	1,1	316,18	5,9	14,5	11,0	14,5			
	3,7	467	0,9	376,20	7,3	14,5	11,0	14,5			
	3,7	467	0,9	376,20	4,8	14,5	11,0	14,5			
	17	104	6,2	83,70	11,0	20,0	15,0	20,0	SK 673.1 - 63 LP/4	25,7	B99
	15	118	5,4	94,86	11,0	20,0	15,0	20,0			
	13	128	5,0	103,48	11,0	20,0	15,0	20,0			
	11	162	4,0	130,55	10,9	20,0	15,0	20,0			
	9,7	178	3,6	143,30	10,9	20,0	15,0	20,0			

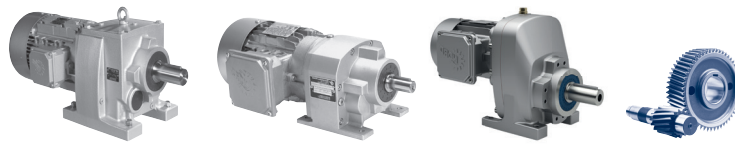
NORDBLOC.1
Helical gear unit

0,18 kW
0,25 kW



NORDBLOC.1
Helical gear unit

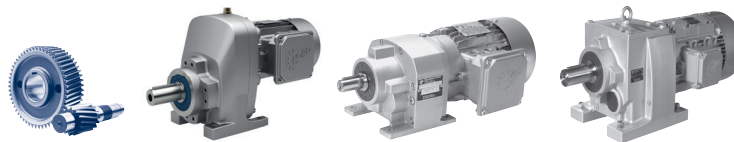
P_1 [kW]	n_2 [r/min]	M_2 [Nm]	f_B	i_{total}	F_R [kN]	F_A	$F_{R VL}$ [kN]	$F_{A VL}$ [kN]	Type	kg	mm B
0,18	7,8	221	2,9	177,94	10,8	20,0	15,0	20,0	SK 673.1 - 63 LP/4	25,7	B99
	7,6	226	2,8	181,88	10,8	20,0	15,0	20,0			
	7,1	241	2,7	194,11	10,7	20,0	15,0	20,0			
	6,3	272	2,4	219,00	10,6	20,0	15,0	20,0			
	5,6	308	2,1	248,2	10,5	20,0	15,0	20,0			
	5	347	1,8	279,23	10,3	20,0	14,8	20,0			
	4,5	378	1,7	304,61	10,2	20,0	14,7	20,0			
	4,2	412	1,6	332,23	10,0	20,0	14,6	20,0			
	3,8	450	1,4	362,43	9,8	20,0	14,5	20,0			
0,25	623	3,8	5,5	2,27	1,1	2,3	2,0	3,5	SK 071.1 - 71 SP/4	8,3	B79
	526	4,5	5,1	2,69	1,2	2,4	2,0	3,5			
	382	6,2	3,2	3,70	1,3	2,5	2,0	3,5			
	295	8,1	2,1	4,80	1,4	2,5	2,0	3,5			
	255	9,4	1,6	5,56	1,5	2,5	2,0	3,5			
	194	12,3	1,0	7,29	1,6	2,5	2,0	3,5			
	215	11,1	4,8	6,57	2,3	2,9	SK 072.1 - 71 SP/4	8,5	B90		
	196	12,2	4,5	7,23	2,4	2,9					
	177	13,5	4,1	8,00	2,4	2,9					
	159	15	3,7	8,91	2,5	2,9					
	142	16,9	3,3	10,00	2,5	2,9					
	122	19,5	2,6	11,56	2,5	2,9					
	107	22,3	2,1	13,20	2,5	2,9					
	98	24,3	2,1	14,40	2,5	2,9					
	90	26,6	2,1	15,77	2,5	2,9					
82	29,3	1,9	17,35	2,5	2,9						
74	32,4	1,7	19,20	2,5	2,9						
66	36,1	1,5	21,38	2,5	2,9						
64	37,5	1,5	22,22	2,5	2,9						
57	41,8	1,3	24,75	2,5	2,9						
51	46,9	1,2	27,78	2,5	2,9						
44	54,8	1,0	32,45	2,5	2,9						
39	61,5	0,9	36,43	2,5	2,9						
295	8,1	4,2	4,80	2,3	3,3	3,0	4,5	SK 171.1 - 71 SP/4	9,2	B80	
228	10,5	2,5	6,20	2,5	3,3	3,0	4,5				
183	13,1	1,6	7,75	2,7	3,3	3,0	4,5				
152	15,7	1,1	9,29	2,8	3,3	3,0	4,5				
131	18,3	4,7	10,83	2,8	3,9	SK 172.1 - 71 SP/4	10,2	B91			
124	19,2	4,4	11,39	2,8	3,9						
117	20,4	4,3	12,06	2,8	3,9						
104	22,8	3,7	13,54	2,8	3,9						
90	26,6	3,2	15,76	2,8	3,9						
76	31,4	2,7	18,60	2,8	3,9						
69	34,4	2,5	20,37	2,8	3,9						
63	37,8	2,4	22,42	2,8	3,9						
57	41,8	2,2	24,80	2,8	3,9						
51	46,6	2,0	27,62	2,8	3,9						
46	52,3	1,8	31,00	2,8	3,9						
41	58,2	1,5	34,52	2,8	3,9						
37	65,4	1,3	38,75	2,8	3,9						
34	69,8	1,2	41,36	2,8	3,9						
30	78,3	1,1	46,43	2,8	3,9						
26	91,2	0,9	54,03	2,8	3,9						



P_1 [kW]	n_2 [r/min]	M_2 [Nm]	f_B	i_{total}	F_R [kN]	F_A	$F_{R VL}$ [kN]	$F_{A VL}$ [kN]	Type	kg	mm B
0,25	197	12,1	2,9	7,20	3,8	3,9	4,0	7,0	SK 371.1 - 71 SP/4	10,6	B81
	174	13,7	2,3	8,11	3,9	3,9	4,0	7,0			
	155	15,4	1,9	9,12	4,0	3,9	4,0	7,0			
	130	18,3	1,3	10,86	4,0	3,9	4,0	7,0			
	47	50,8	3,5	30,11	5,8	10,2	8,0	10,2	SK 372.1 - 71 SP/4	13,1	B92
	42	57,1	3,3	33,84	5,8	10,2	8,0	10,2			
	37	64,3	2,8	38,12	5,8	10,2	8,0	10,2			
	33	73	2,3	43,26	5,7	10,2	8,0	10,2			
	26	90,8	1,8	53,84	5,7	10,2	7,9	10,2			
	23	103	1,5	60,83	5,6	10,2	7,9	10,2			
	22	108	1,5	64,06	5,6	10,2	7,9	10,2			
	20	122	1,2	72,38	5,5	10,2	7,8	10,2			
	76	31,4	6,0	18,63	5,8	10,2	8,0	10,2	SK 373.1 - 71 SP/4	13,6	B93
	69	34,6	6,1	20,52	5,8	10,2	8,0	10,2			
	62	38,4	5,5	22,74	5,8	10,2	8,0	10,2			
	60	39,5	5,3	23,41	5,8	10,2	8,0	10,2			
	55	43,8	4,8	25,94	5,8	10,2	8,0	10,2			
	48	50,2	4,2	29,77	5,8	10,2	8,0	10,2			
	43	56	3,6	33,20	5,8	10,2	8,0	10,2			
	38	62,8	3,2	37,23	5,8	10,2	8,0	10,2			
	33	71,6	2,8	42,46	5,8	10,2	8,0	10,2			
	30	79,4	2,6	47,05	5,7	10,2	8,0	10,2			
	26	91,1	2,3	54,00	5,7	10,2	7,9	10,2			
	23	102	2,0	60,22	5,6	10,2	7,9	10,2			
	22	109	1,8	64,70	5,6	10,2	7,9	10,2			
	19	125	1,6	74,27	5,5	10,2	7,8	10,2			
	17	139	1,5	82,57	5,4	10,2	7,8	10,2			
	15	154	1,4	91,48	5,3	10,2	7,7	10,2			
	14	172	1,2	102,01	5,2	10,2	7,6	10,2			
	12	203	1,0	120,54	4,9	10,2	7,4	10,2			
	11	221	0,9	130,87	4,7	10,2	7,3	10,2			
	9,8	245	0,9	145,00	4,4	10,2	7,1	10,2			
	149	16	3,2	9,50	5,0	7,7	5,0	8,0			
	31	77,2	4,1	45,77	10,1	15,0	11,0	15,0	SK 572.1 - 71 SP/4	20,6	B94
	31	77,2	4,1	45,77	7,7	15,0	11,0	15,0			
	26	91,8	4,0	54,41	10,1	15,0	11,0	15,0			
	26	91,8	4,0	54,41	7,7	15,0	11,0	15,0			
	34	71,2	6,3	42,18	10,1	14,5	11,0	14,5	SK 573.1 - 71 SP/4	21,1	B95
	34	71,2	6,3	42,18	7,7	14,5	11,0	14,5			
	33	73,2	6,1	43,40	10,1	14,5	11,0	14,5			
	33	73,2	6,1	43,40	7,7	14,5	11,0	14,5			
	30	80,9	5,6	47,95	10,1	14,5	11,0	14,5			
	30	80,9	5,6	47,95	7,7	14,5	11,0	14,5			
	29	83,7	5,4	49,60	10,1	14,5	11,0	14,5			
	29	83,7	5,4	49,60	7,7	14,5	11,0	14,5			
	25	94,1	4,8	55,80	10,1	14,5	11,0	14,5			
	25	94,1	4,8	55,80	7,7	14,5	11,0	14,5			
	23	103	4,4	60,97	10,1	14,5	11,0	14,5			
	23	103	4,4	60,97	7,7	14,5	11,0	14,5			
	21	114	3,9	67,64	10,1	14,5	11,0	14,5			
	21	114	3,9	67,64	7,6	14,5	11,0	14,5			
	18	130	3,5	76,88	10,1	14,5	11,0	14,5			

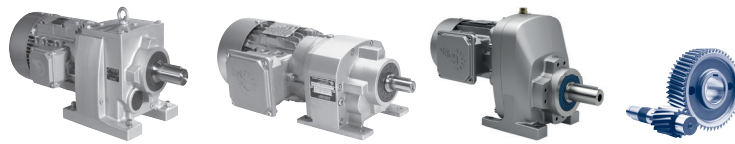
NORDBLOC.1
Helical gear unit

0,25 kW



NORDBLOC.1
Helical gear unit

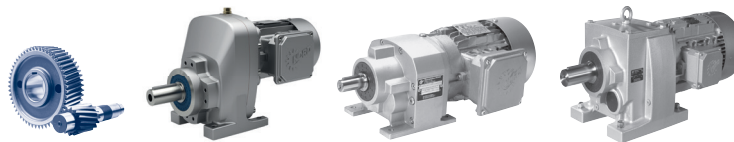
P_1 [kW]	n_2 [r/min]	M_2 [Nm]	f_B	i_{total}	F_R [kN]	F_A	$F_{R VL}$ [kN]	$F_{A VL}$	Type	kg	mm
0,25	18	130	3,5	76,88	7,6	14,5	11,0	14,5	SK 573.1 - 71 SP/4	21,1	B95
	17	144	3,1	85,18	10,0	14,5	11,0	14,5			
	17	144	3,1	85,18	7,5	14,5	11,0	14,5			
	15	159	2,8	94,50	10,0	14,5	11,0	14,5			
	15	159	2,8	94,50	7,5	14,5	11,0	14,5			
	13	181	2,4	107,42	10,0	14,5	11,0	14,5			
	13	181	2,4	107,42	7,4	14,5	11,0	14,5			
	13	188	2,4	111,36	10,0	14,5	11,0	14,5			
	13	188	2,4	111,36	7,4	14,5	11,0	14,5			
	11	212	2,1	125,45	9,9	14,5	11,0	14,5			
	11	212	2,1	125,45	7,3	14,5	11,0	14,5			
	10	238	1,9	141,13	9,8	14,5	11,0	14,5			
	10	238	1,9	141,13	7,1	14,5	11,0	14,5			
	8,9	268	1,7	158,78	9,7	14,5	11,0	14,5			
	8,9	268	1,7	158,78	7,0	14,5	11,0	14,5			
	7,9	301	1,5	178,56	9,6	14,5	11,0	14,5			
	7,9	301	1,5	178,56	6,7	14,5	11,0	14,5			
	7,5	319	1,4	188,91	9,4	14,5	11,0	14,5			
	7,5	319	1,4	188,91	6,6	14,5	11,0	14,5			
	7	339	1,3	201,16	9,1	14,5	11,0	14,5			
7	339	1,3	201,16	6,4	14,5	11,0	14,5				
6,3	382	1,2	226,30	8,5	14,5	11,0	14,5				
6,3	382	1,2	226,30	6,0	14,5	11,0	14,5				
5,3	454	1,0	269,26	7,4	14,5	11,0	14,5				
5,3	454	1,0	269,26	5,1	14,5	11,0	14,5				
4,7	511	0,9	302,91	6,7	14,5	11,0	14,5				
4,7	511	0,9	302,91	2,5	14,5	11,0	14,5				
25	95,6	4,2	56,65	11,0	20,0	15,0	20,0	SK 672.1 - 71 SP/4	26,1	B98	
26	93	6,9	55,12	11,0	20,0	15,0	20,0	SK 673.1 - 71 SP/4	27,1	B99	
23	102	6,3	60,45	11,0	20,0	15,0	20,0				
21	111	5,8	65,95	11,0	20,0	15,0	20,0				
19	124	5,2	73,64	11,0	20,0	15,0	20,0				
17	141	4,5	83,70	11,0	20,0	15,0	20,0				
15	160	4,0	94,86	10,9	20,0	15,0	20,0				
14	175	3,7	103,48	10,9	20,0	15,0	20,0				
12	196	3,3	115,89	10,8	20,0	15,0	20,0				
11	220	2,9	130,55	10,8	20,0	15,0	20,0				
9,9	242	2,6	143,30	10,7	20,0	15,0	20,0				
8,8	272	2,3	161,45	10,6	20,0	15,0	20,0				
8	300	2,1	177,94	10,5	20,0	15,0	20,0				
7,8	307	2,1	181,88	10,5	20,0	15,0	20,0				
7,3	327	2,0	194,11	10,4	20,0	14,9	20,0				
6,5	369	1,7	219,00	10,2	20,0	14,8	20,0				
6,4	372	1,7	220,32	10,2	20,0	14,8	20,0				
5,7	419	1,5	248,20	10,0	20,0	14,6	20,0				
5,1	471	1,4	279,23	9,7	20,0	14,4	20,0				
4,6	514	1,2	304,61	9,4	20,0	14,2	20,0				
4,3	561	1,1	332,23	9,1	20,0	14,0	20,0				
3,9	611	1,0	362,43	8,6	20,0	13,7	20,0				
108	22,1	3,2	13,10	6,4	9,0	7,5	12,0	SK 771.1 - 71 SP/4	17,9	B83	



P_1 [kW]	n_2 [r/min]	M_2 [Nm]	f_B	i_{total}	F_R [kN]	F_A	F_{RVL} [kN]	F_{AVL} [kN]	Type	kg	mm B	
0,25	12	198	4,4	117,46	13,8	9,0	16,4	25,0	SK 773.1 - 71 SP/4	39,6	B101	
	10	234	3,6	138,78	13,5	9,0	16,2	25,0				
	9,4	255	2,7	151,10	13,4	9,0	16,1	25,0				
	8,8	270	3,2	160,22	13,2	9,0	16,1	25,0				
	7,9	301	2,8	178,53	13,0	9,0	16,0	25,0				
	7,5	319	2,7	189,31	12,9	9,0	15,9	25,0				
	6,9	348	2,5	206,11	12,6	9,0	15,7	25,0				
	6,3	379	2,2	224,49	12,4	9,0	15,6	25,0				
	5,8	411	2,1	243,53	12,2	9,0	15,5	25,0				
	5,4	439	2,0	260,18	11,9	9,0	15,3	25,0				
	5,3	448	1,9	265,24	11,9	9,0	15,3	25,0				
	4,9	487	1,7	288,78	11,5	9,0	15,1	25,0				
	4,6	519	1,6	307,42	11,3	9,0	15,0	25,0				
	4,2	565	1,5	334,70	10,8	9,0	14,7	25,0				
	4,1	576	1,5	341,21	10,7	9,0	14,7	25,0				
3,6	667	1,3	395,46	9,9	9,0	14,2	25,0					
0,37	703	5	5,0	2,00	1,1	2,1	2,0	3,5	SK 071.1 - 71 LP/4	9,4	B79	
	618	5,7	3,7	2,27	1,1	2,2	2,0	3,5				
	522	6,8	3,4	2,69	1,2	2,4	2,0	3,5				
	380	9,3	2,1	3,70	1,3	2,5	2,0	3,5				
	293	12,1	1,4	4,80	1,4	2,5	2,0	3,5				
	253	14	1,1	5,56	1,5	2,5	2,0	3,5				
		359	9,9	4,6	3,92	1,9	2,9			SK 072.1 - 71 LP/4	9,6	B90
		326	10,8	4,6	4,31	2,0	2,9					
		295	12	4,4	4,77	2,0	2,9					
		265	13,4	4,1	5,31	2,1	2,9					
		255	13,8	4,0	5,50	2,1	2,9					
		236	15	3,7	5,96	2,2	2,9					
		214	16,5	3,2	6,57	2,2	2,9					
		194	18,2	3,0	7,23	2,3	2,9					
		176	20,1	2,7	8,00	2,3	2,9					
		158	22,4	2,5	8,91	2,4	2,9					
		141	25,1	2,2	10,00	2,5	2,9					
		122	29,1	1,7	11,56	2,5	2,9					
		106	33,2	1,4	13,20	2,5	2,9					
		98	36,2	1,4	14,40	2,5	2,9					
		89	39,7	1,4	15,77	2,5	2,9					
		81	43,6	1,3	17,35	2,5	2,9					
		73	48,3	1,1	19,20	2,5	2,9					
		66	53,8	1,0	21,38	2,5	2,9					
		63	55,9	1,0	22,22	2,5	2,9					
		57	62,2	0,9	24,75	2,5	2,9					
		519	6,8	6,6	2,71	1,9	3,3	3,0	4,5	SK 171.1 - 71 LP/4	10,3	B80
		461	7,7	4,7	3,05	2,0	3,3	3,0	4,5			
		406	8,7	5,2	3,46	2,1	3,3	3,0	4,5			
		293	12,1	2,8	4,80	2,3	3,3	3,0	4,5			
	227	15,6	1,7	6,20	2,5	3,3	3,0	4,5				
	181	19,5	1,1	7,75	2,6	3,3	3,0	4,5				
	198	17,8	4,6	7,08	2,8	3,9			SK 172.1 - 71 LP/4	11,3	B91	
	179	19,7	4,2	7,83	2,8	3,9						
	161	21,9	4,0	8,72	2,8	3,9						
	143	24,6	3,5	9,79	2,8	3,9						

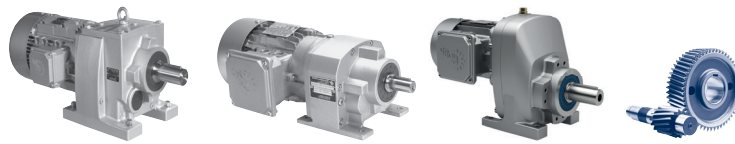
NORDBLOC.1
Helical gear unit

0,37 kW



NORDBLOC.1
Helical gear unit

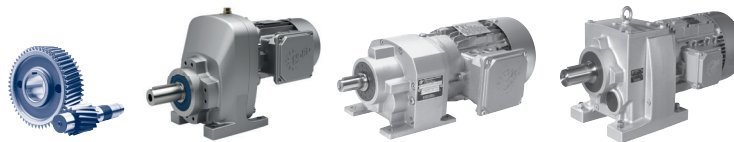
P_1 [kW]	n_2 [r/min]	M_2 [Nm]	f_B	i_{total}	F_R [kN]	F_A	F_{RVL} [kN]	F_{AVL} [kN]	Type	kg	mm
0,37	130	27,2	3,2	10,83	2,8	3,9			SK 172.1 - 71 LP/4	11,3	B91
	123	28,7	3,0	11,39	2,8	3,9					
	116	30,3	2,9	12,06	2,8	3,9					
	104	34,1	2,5	13,54	2,8	3,9					
	89	39,6	2,1	15,76	2,8	3,9					
	76	46,8	1,8	18,60	2,8	3,9					
	69	51,2	1,7	20,37	2,8	3,9					
	63	56,4	1,6	22,42	2,8	3,9					
	57	62,4	1,5	24,80	2,8	3,9					
	51	69,5	1,3	27,62	2,8	3,9					
	45	78	1,2	31,00	2,8	3,9					
	41	86,8	1,0	34,52	2,8	3,9					
36	97,4	0,9	38,75	2,8	3,9						
	195	18,1	1,9	7,20	3,8	3,9	4,0	7,0	SK 371.1 - 71 LP/4	11,7	B81
	173	20,4	1,5	8,11	3,9	3,9	4,0	7,0			
	154	22,9	1,3	9,12	4,0	3,9	4,0	7,0			
	129	27,3	0,8	10,86	4,0	3,9	4,0	7,0			
	47	75,7	2,4	30,11	5,7	10,2	8,0	10,2	SK 372.1 - 71 LP/4	14,2	B92
	42	85,1	2,2	33,84	5,7	10,2	8,0	10,2			
	37	95,9	1,9	38,12	5,7	10,2	7,9	10,2			
	32	109	1,6	43,26	5,6	10,2	7,9	10,2			
	26	135	1,2	53,84	5,5	10,2	7,8	10,2			
	23	153	1,0	60,83	5,3	10,2	7,7	10,2			
	22	161	1,0	64,06	5,3	10,2	7,7	10,2			
	19	182	0,8	72,38	5,1	10,2	7,5	10,2			
	75	46,8	4,1	18,63	5,8	10,2	8,0	10,2	SK 373.1 - 71 LP/4	14,7	B93
	68	51,6	4,1	20,52	5,8	10,2	8,0	10,2			
	62	57,2	3,7	22,74	5,8	10,2	8,0	10,2			
	60	58,9	3,6	23,41	5,8	10,2	8,0	10,2			
	54	65,2	3,2	25,94	5,8	10,2	8,0	10,2			
	47	74,9	2,8	29,77	5,7	10,2	8,0	10,2			
	42	83,5	2,4	33,20	5,7	10,2	8,0	10,2			
	38	93,6	2,1	37,23	5,7	10,2	7,9	10,2			
	33	107	1,9	42,46	5,6	10,2	7,9	10,2			
	30	118	1,8	47,05	5,6	10,2	7,9	10,2			
	26	136	1,5	54,00	5,5	10,2	7,8	10,2			
	23	151	1,3	60,22	5,4	10,2	7,7	10,2			
	22	163	1,2	64,70	5,3	10,2	7,7	10,2			
	19	187	1,1	74,27	5,1	10,2	7,5	10,2			
	17	208	1,0	82,57	4,9	10,2	7,4	10,2			
	15	230	0,9	91,48	4,6	10,2	7,2	10,2			
	148	23,9	2,2	9,50	5,0	7,7	5,0	8,0	SK 571.1 - 71 LP/4	14,7	B82
	31	115	2,8	45,77	10,1	15,0	11,0	15,0	SK 572.1 - 71 LP/4	21,7	B94
	31	115	2,8	45,77	7,6	15,0	11,0	15,0			
	26	137	2,7	54,41	10,1	15,0	11,0	15,0			
	26	137	2,7	54,41	7,6	15,0	11,0	15,0			



P_1 [kW]	n_2 [r/min]	M_2 [Nm]	f_B	i_{total}	F_R [kN]	F_A	F_{RVL} [kN]	F_{AVL} [kN]	Type	kg	mm B
0,37	52	67,3	6,4	26,77	10,1	14,5	11,0	14,5	SK 573.1 - 71 LP/4	22,2	B95
	52	67,3	6,4	26,77	7,7	14,5	11,0	14,5			
	45	77,8	5,7	30,93	10,1	14,5	11,0	14,5			
	45	77,8	5,7	30,93	7,7	14,5	11,0	14,5			
	40	87,5	5,0	34,80	10,1	14,5	11,0	14,5			
	40	87,5	5,0	34,80	7,7	14,5	11,0	14,5			
	37	95,6	4,7	38,02	10,1	14,5	11,0	14,5			
	37	95,6	4,7	38,02	7,7	14,5	11,0	14,5			
	33	106	4,2	42,18	10,1	14,5	11,0	14,5			
	33	106	4,2	42,18	7,6	14,5	11,0	14,5			
	32	109	4,1	43,40	10,1	14,5	11,0	14,5			
	32	109	4,1	43,40	7,6	14,5	11,0	14,5			
	29	121	3,7	47,95	10,1	14,5	11,0	14,5			
	29	121	3,7	47,95	7,6	14,5	11,0	14,5			
	28	125	3,6	49,60	10,1	14,5	11,0	14,5			
	28	125	3,6	49,60	7,6	14,5	11,0	14,5			
	25	140	3,2	55,80	10,0	14,5	11,0	14,5			
	25	140	3,2	55,80	7,6	14,5	11,0	14,5			
	23	153	2,9	60,97	10,0	14,5	11,0	14,5			
	23	153	2,9	60,97	7,5	14,5	11,0	14,5			
	21	170	2,6	67,64	10,0	14,5	11,0	14,5			
	21	170	2,6	67,64	7,4	14,5	11,0	14,5			
	18	193	2,3	76,88	9,9	14,5	11,0	14,5			
	18	193	2,3	76,88	7,4	14,5	11,0	14,5			
	16	214	2,1	85,18	9,9	14,5	11,0	14,5			
	16	214	2,1	85,18	7,3	14,5	11,0	14,5			
	15	238	1,9	94,50	9,8	14,5	11,0	14,5			
	15	238	1,9	94,50	7,1	14,5	11,0	14,5			
	13	270	1,6	107,42	9,7	14,5	11,0	14,5			
	13	270	1,6	107,42	6,9	14,5	11,0	14,5			
	13	280	1,6	111,36	9,7	14,5	11,0	14,5			
	13	280	1,6	111,36	6,9	14,5	11,0	14,5			
	11	315	1,4	125,45	9,4	14,5	11,0	14,5			
	11	315	1,4	125,45	6,6	14,5	11,0	14,5			
	10	355	1,3	141,13	8,9	14,5	11,0	14,5			
10	355	1,3	141,13	6,3	14,5	11,0	14,5				
8,8	399	1,1	158,78	8,3	14,5	11,0	14,5				
8,8	399	1,1	158,78	5,8	14,5	11,0	14,5				
7,9	449	1,0	178,56	7,5	14,5	11,0	14,5				
7,9	449	1,0	178,56	5,2	14,5	11,0	14,5				
7,4	475	0,9	188,91	7,2	14,5	11,0	14,5				
7,4	475	0,9	188,91	4,5	14,5	11,0	14,5				
7	506	0,9	201,16	6,6	14,5	11,0	14,5				
7	506	0,9	201,16	2,9	14,5	11,0	14,5				
25	142	2,8	56,65		11,0	20,0	15,0	20,0	SK 672.1 - 71 LP/4	27,2	B98
45	77,7	6,8	30,92		11,0	20,0	15,0	20,0	SK 673.1 - 71 LP/4	28,2	B99
41	85,8	7,0	34,12		11,0	20,0	15,0	20,0			
38	93,6	6,8	37,23		11,0	20,0	15,0	20,0			
34	104	6,1	41,54		11,0	20,0	15,0	20,0			
31	113	5,7	44,85		11,0	20,0	15,0	20,0			
28	124	5,1	49,50		11,0	20,0	15,0	20,0			
25	139	4,6	55,12		11,0	20,0	15,0	20,0			
23	152	4,2	60,45		10,9	20,0	15,0	20,0			
21	166	3,9	65,95		10,9	20,0	15,0	20,0			

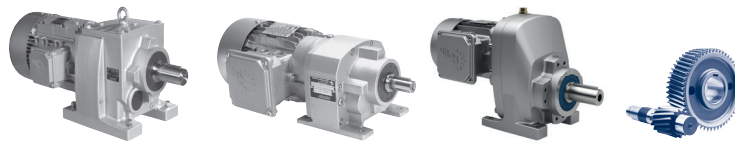
NORDBLOC.1
Helical gear unit

0,37 kW
0,55 kW



NORDBLOC.1
Helical gear unit

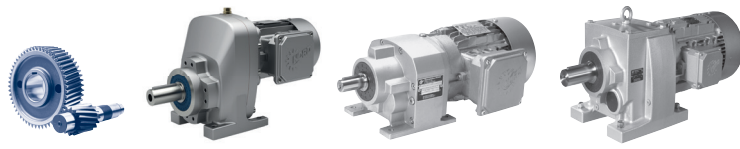
P_1 [kW]	n_2 [r/min]	M_2 [Nm]	f_B	i_{total}	F_R [kN]	F_A	F_{RVL} [kN]	F_{AVL} [kN]	Type	kg	mm B
0,37	19	185	3,5	73,64	10,9	20,0	15,0	20,0	SK 673.1 - 71 LP/4	28,2	B99
	17	210	3,0	83,70	10,8	20,0	15,0	20,0			
	15	239	2,7	94,86	10,7	20,0	15,0	20,0			
	14	260	2,5	103,48	10,7	20,0	15,0	20,0			
	12	291	2,2	115,89	10,6	20,0	15,0	20,0			
	11	328	1,9	130,55	10,4	20,0	14,9	20,0			
	9,8	360	1,8	143,30	10,3	20,0	14,8	20,0			
	8,7	406	1,6	161,45	10,1	20,0	14,7	20,0			
	7,9	447	1,4	177,94	9,8	20,0	14,5	20,0			
	7,7	457	1,4	181,88	9,8	20,0	14,5	20,0			
	7,2	488	1,3	194,11	9,6	20,0	14,3	20,0			
	6,4	551	1,2	219,00	9,1	20,0	14,0	20,0			
	6,4	554	1,2	220,32	9,1	20,0	14,0	20,0			
	5,7	624	1,0	248,20	8,5	20,0	13,6	20,0			
	5	702	0,9	279,23	7,5	20,0	13,1	20,0			
4,6	766	0,8	304,61	5,6	20,0	12,7	20,0				
	107	32,9	2,2	13,10	6,4	9,0	7,5	12,0	SK 771.1 - 71 LP/4	19	B83
	27	129	6,6	51,31	12,0	9,0	16,6	25,0	SK 773.1 - 71 LP/4	40,7	B101
	24	145	5,9	57,64	12,4	9,0	16,6	25,0			
	22	159	5,3	63,42	12,8	9,0	16,5	25,0			
	20	173	4,9	68,92	13,1	9,0	16,5	25,0			
	20	181	4,7	71,89	13,3	9,0	16,4	25,0			
	18	199	4,4	79,23	13,6	9,0	16,4	25,0			
	17	210	4,1	83,32	13,7	9,0	16,3	25,0			
	15	235	3,6	93,61	13,5	9,0	16,2	25,0			
	15	243	3,5	96,57	13,5	9,0	16,2	25,0			
	13	281	3,0	111,92	13,2	9,0	16,0	25,0			
	12	295	2,9	117,46	13,0	9,0	16,0	25,0			
	10	349	2,4	138,78	12,7	9,0	15,7	25,0			
	9,3	380	1,8	151,10	12,4	9,0	15,6	25,0			
	8,8	403	2,2	160,22	12,2	9,0	15,5	25,0			
	7,9	449	1,9	178,53	11,9	9,0	15,3	25,0			
	7,4	476	1,8	189,31	11,6	9,0	15,2	25,0			
	6,8	518	1,7	206,11	11,2	9,0	14,9	25,0			
	6,3	565	1,5	224,49	10,8	9,0	14,7	25,0			
	5,8	612	1,4	243,53	10,4	9,0	14,5	25,0			
	5,4	654	1,3	260,18	9,9	9,0	14,2	25,0			
	5,3	667	1,3	265,24	9,9	9,0	14,2	25,0			
	4,9	726	1,2	288,78	9,2	9,0	13,8	25,0			
	4,6	773	1,1	307,42	8,8	9,0	13,6	25,0			
	4,2	842	1,0	334,70	8,0	9,0	13,2	25,0			
	4,1	858	1,0	341,21	7,9	9,0	13,1	25,0			
	3,6	994	0,9	395,46	6,3	9,0	12,2	25,0			
0,55	1322	4	6,0	1,07	0,9	1,6	2,0	2,9	SK 071.1 - 80 SP/4	11,9	B79
	1191	4,4	5,7	1,19	0,9	1,6	2,0	3,0			
	710	7,4	3,4	2,00	1,0	2,1	2,0	3,5			
	625	8,4	2,5	2,27	1,1	2,1	2,0	3,5			
	527	10	2,3	2,69	1,1	2,3	2,0	3,5			
	384	13,7	1,5	3,70	1,2	2,5	2,0	3,5			
	296	17,8	1,0	4,80	1,3	2,5	2,0	3,5			
	677	7,8	4,6	2,10	1,5	2,7			SK 072.1 - 80 SP/4	12,1	B90
	610	8,6	4,5	2,33	1,6	2,8					
	553	9,5	4,3	2,57	1,6	2,9					



P_1 [kW]	n_2 [r/min]	M_2 [Nm]	f_B	i_{total}	F_R [kN]	F_A	F_{RVL} [kN]	F_{AVL} [kN]	Type	kg	mm B
0,55	499	10,5	4,3	2,85	1,7	2,9			SK 072.1 - 80 SP/4	12,1	B90
	481	10,9	4,2	2,95	1,7	2,9					
	433	12,1	3,9	3,28	1,8	2,9					
	397	13,2	3,6	3,58	1,8	2,9					
	362	14,5	3,1	3,92	1,9	2,9					
	329	15,9	3,1	4,31	1,9	2,9					
	298	17,6	3,0	4,77	2,0	2,9					
	267	19,6	2,8	5,31	2,0	2,9					
	258	20,3	2,7	5,50	2,0	2,9					
	238	22	2,5	5,96	2,1	2,9					
	216	24,3	2,2	6,57	2,1	2,9					
	196	26,7	2,1	7,23	2,2	2,9					
	178	29,6	1,9	8,00	2,2	2,9					
	159	33	1,7	8,91	2,3	2,9					
	142	37	1,5	10,00	2,3	2,9					
	123	42,7	1,2	11,56	2,4	2,9					
	108	48,8	1,0	13,20	2,4	2,9					
	99	53,3	1,0	14,40	2,4	2,9					
	90	58,3	0,9	15,77	2,5	2,9					
	82	64,2	0,9	17,35	2,5	2,9					
	725	7,2	6,9	1,96	1,7	2,9	3,0	4,5	SK 171.1 - 80 SP/4	12,8	B80
	682	7,7	6,9	2,08	1,7	3,1	3,0	4,5			
	524	10	4,5	2,71	1,9	3,3	3,0	4,5			
	466	11,3	3,2	3,05	1,9	3,3	3,0	4,5			
	410	12,8	3,5	3,46	2,0	3,3	3,0	4,5			
	296	17,8	1,9	4,80	2,2	3,3	3,0	4,5			
	229	22,9	1,1	6,20	2,4	3,3	3,0	4,5			
	570	9,2	4,7	2,49	2,8	3,9			SK 172.1 - 80 SP/4	13,8	B91
	523	10	4,6	2,72	2,8	3,9					
	487	10,8	4,6	2,92	2,8	3,9					
	441	11,9	4,5	3,22	2,8	3,9					
	410	12,8	4,2	3,46	2,8	3,9					
	375	14	4,2	3,79	2,8	3,9					
	340	15,4	4,2	4,17	2,8	3,9					
	308	17,1	4,2	4,62	2,8	3,9					
	276	19	4,4	5,14	2,8	3,9					
	246	21,3	3,6	5,77	2,8	3,9					
	221	23,8	3,4	6,43	2,8	3,9					
	201	26,2	3,1	7,08	2,8	3,9					
	181	29	2,8	7,83	2,8	3,9					
	163	32,3	2,7	8,72	2,8	3,9					
	145	36,2	2,3	9,79	2,8	3,9					
	131	40,1	2,1	10,83	2,8	3,9					
	125	42,1	2,0	11,39	2,8	3,9					
	118	44,6	1,9	12,06	2,8	3,9					
	105	50,1	1,7	13,54	2,8	3,9					
	90	58,3	1,5	15,76	2,8	3,9					
	76	68,8	1,2	18,60	2,8	3,9					
	70	75,3	1,1	20,37	2,8	3,9					
	63	82,9	1,1	22,42	2,8	3,9					
	57	91,7	1,0	24,80	2,8	3,9					
	51	102	0,9	27,62	2,8	3,9					

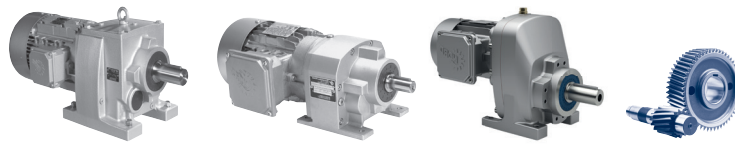
NORDBLOC.1
Helical gear unit



0,55 kW



NORDBLOC.1
Helical gear unit

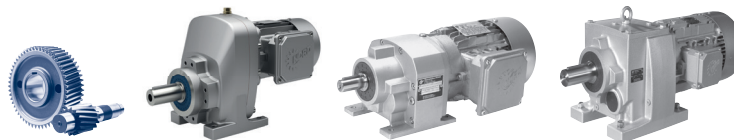
P_1 [kW]	n_2 [r/min]	M_2 [Nm]	f_B	i_{total}	F_R [kN]	F_A	$F_{R VL}$ [kN]	$F_{A VL}$ [kN]	Type	kg	mm
0,55	458	11,5	6,8	3,10	2,8	3,9	4,0	7,0	SK 371.1 - 80 SP/4	14,2	B81
	323	16,3	3,9	4,40	3,2	3,9	4,0	7,0			
	258	20,3	2,5	5,50	3,4	3,9	4,0	7,0			
	197	26,6	1,3	7,20	3,7	3,9	4,0	7,0			
	175	30	1,0	8,11	3,8	3,9	4,0	7,0			
	156	33,8	0,9	9,12	3,9	3,9	4,0	7,0			
	138	38	5,0	10,28	5,5	10,2	7,1	10,2	SK 372.1 - 80 SP/4	16,7	B92
	123	42,7	4,4	11,55	5,7	10,2	7,3	10,2			
	110	47,9	4,2	12,96	5,8	10,2	7,6	10,2			
	97	53,9	3,5	14,57	5,8	10,2	7,9	10,2			
	86	61	3,1	16,50	5,8	10,2	8,0	10,2			
	77	68,1	2,9	18,40	5,8	10,2	8,0	10,2			
	69	76,3	2,5	20,62	5,7	10,2	8,0	10,2			
	62	85,1	2,4	23,00	5,7	10,2	8,0	10,2			
	55	95,6	2,0	25,85	5,7	10,2	7,9	10,2			
	47	111	1,6	30,11	5,6	10,2	7,9	10,2			
	42	125	1,5	33,84	5,5	10,2	7,8	10,2			
	37	141	1,3	38,12	5,4	10,2	7,8	10,2			
	33	160	1,1	43,26	5,3	10,2	7,7	10,2			
	26	199	0,8	53,84	5,0	10,2	7,4	10,2			
	76	68,9	2,8	18,63	5,8	10,2	8,0	10,2	SK 373.1 - 80 SP/4	17,2	B93
	69	75,9	2,8	20,52	5,7	10,2	8,0	10,2			
	62	84,1	2,5	22,74	5,7	10,2	8,0	10,2			
	61	86,6	2,4	23,41	5,7	10,2	8,0	10,2			
	55	95,9	2,2	25,94	5,7	10,2	7,9	10,2			
	48	110	1,9	29,77	5,6	10,2	7,9	10,2			
	43	123	1,6	33,20	5,5	10,2	7,8	10,2			
	38	138	1,5	37,23	5,4	10,2	7,8	10,2			
	33	157	1,3	42,46	5,3	10,2	7,7	10,2			
	30	174	1,2	47,05	5,2	10,2	7,6	10,2			
	26	200	1,1	54,00	4,9	10,2	7,4	10,2			
	24	223	0,9	60,22	4,7	10,2	7,3	10,2			
	22	239	0,8	64,70	4,5	10,2	7,1	10,2			
	237	22,2	4,1	6,00	4,4	7,7	5,0	8,0			
	192	27,4	2,6	7,40	4,7	7,7	5,0	8,0			
	149	35,1	1,5	9,50	5,0	7,7	5,0	8,0			
	53	99,9	4,0	27,00	10,1	15,0	11,0	15,0	SK 572.1 - 80 SP/4	24,2	B94
	53	99,9	4,0	27,00	7,7	15,0	11,0	15,0			
	49	107	3,6	28,91	10,1	15,0	11,0	15,0			
	49	107	3,6	28,91	7,6	15,0	11,0	15,0			
	40	132	2,8	35,65	10,1	15,0	11,0	15,0			
	40	132	2,8	35,65	7,6	15,0	11,0	15,0			
	34	157	2,4	42,38	10,0	15,0	11,0	15,0			
	34	157	2,4	42,38	7,5	15,0	11,0	15,0			
	31	169	1,9	45,77	10,0	15,0	11,0	15,0			
	31	169	1,9	45,77	7,5	15,0	11,0	15,0			
	26	201	1,8	54,41	9,9	15,0	11,0	15,0			
	26	201	1,8	54,41	7,3	15,0	11,0	15,0			



P_1 [kW]	n_2 [r/min]	M_2 [Nm]	f_B	i_{total}	F_R [kN]	F_A	$F_{R VL}$ [kN]	$F_{A VL}$ [kN]	Type	kg	mm  
0,55	82	64,4	6,7	17,42	10,1	14,5	11,0	14,5	SK 573.1 - 80 SP/4	24,7	B95
	82	64,4	6,7	17,42	7,7	14,5	11,0	14,5			
	74	71,1	6,0	19,22	10,1	14,5	11,0	14,5			
	74	71,1	6,0	19,22	7,7	14,5	11,0	14,5			
	67	78,8	5,5	21,32	10,1	14,5	11,0	14,5			
	67	78,8	5,5	21,32	7,7	14,5	11,0	14,5			
	60	88	4,9	23,79	10,1	14,5	11,0	14,5			
	60	88	4,9	23,79	7,7	14,5	11,0	14,5			
	53	99	4,3	26,77	10,1	14,5	11,0	14,5			
	53	99	4,3	26,77	7,7	14,5	11,0	14,5			
	46	114	3,8	30,93	10,1	14,5	11,0	14,5			
	46	114	3,8	30,93	7,6	14,5	11,0	14,5			
	41	129	3,4	34,80	10,1	14,5	11,0	14,5			
	41	129	3,4	34,80	7,6	14,5	11,0	14,5			
	37	141	3,2	38,02	10,0	14,5	11,0	14,5			
	37	141	3,2	38,02	7,6	14,5	11,0	14,5			
	34	156	2,9	42,18	10,0	14,5	11,0	14,5			
	34	156	2,9	42,18	7,5	14,5	11,0	14,5			
	33	161	2,8	43,40	10,0	14,5	11,0	14,5			
	33	161	2,8	43,40	7,5	14,5	11,0	14,5			
	30	177	2,5	47,95	10,0	14,5	11,0	14,5			
	30	177	2,5	47,95	7,4	14,5	11,0	14,5			
	29	183	2,5	49,60	10,0	14,5	11,0	14,5			
	29	183	2,5	49,60	7,4	14,5	11,0	14,5			
	25	206	2,2	55,80	9,9	14,5	11,0	14,5			
	25	206	2,2	55,80	7,3	14,5	11,0	14,5			
	23	225	2,0	60,97	9,9	14,5	11,0	14,5			
	23	225	2,0	60,97	7,2	14,5	11,0	14,5			
	21	250	1,8	67,64	9,8	14,5	11,0	14,5			
	21	250	1,8	67,64	7,1	14,5	11,0	14,5			
	18	284	1,6	76,88	9,7	14,5	11,0	14,5			
	18	284	1,6	76,88	6,8	14,5	11,0	14,5			
	17	315	1,4	85,18	9,5	14,5	11,0	14,5			
	17	315	1,4	85,18	6,6	14,5	11,0	14,5			
	15	350	1,3	94,50	9,0	14,5	11,0	14,5			
	15	350	1,3	94,50	6,3	14,5	11,0	14,5			
	13	397	1,1	107,42	8,4	14,5	11,0	14,5			
	13	397	1,1	107,42	5,8	14,5	11,0	14,5			
	13	404	1,1	109,12	8,2	14,5	11,0	14,5			
	13	404	1,1	109,12	5,8	14,5	11,0	14,5			
13	412	1,1	111,36	8,1	14,5	11,0	14,5				
13	412	1,1	111,36	5,7	14,5	11,0	14,5				
11	464	1,0	125,45	7,3	14,5	11,0	14,5				
11	464	1,0	125,45	4,9	14,5	11,0	14,5				
10	504	0,9	136,40	6,7	14,5	11,0	14,5				
10	504	0,9	136,40	3,0	14,5	11,0	14,5				
10	522	0,9	141,13	6,4	14,5	11,0	14,5				
10	522	0,9	141,13	1,3	14,5	11,0	14,5				
40	132	4,2	35,75	11,0	20,0	15,0	20,0	SK 672.1 - 80 SP/4	29,7	B98	
32	165	2,7	44,55	10,9	20,0	15,0	20,0				
25	210	1,9	56,65	10,8	20,0	15,0	20,0				

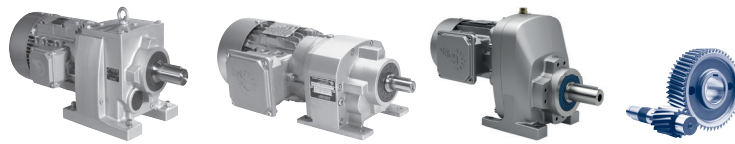
NORDBLOC.1
Helical gear unit

0,55 kW



NORDBLOC.1
Helical gear unit

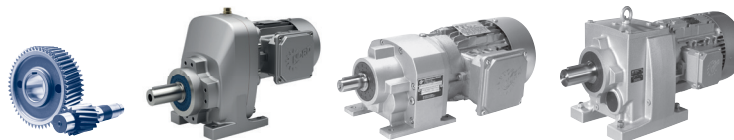
P_1 [kW]	n_2 [r/min]	M_2 [Nm]	f_B	i_{total}	F_R [kN]	F_A	$F_{R VL}$ [kN]	$F_{A VL}$	Type	kg	mm B
0,55	62	84,4	5,3	22,82	11,0	20,0	15,0	20,0	SK 673.1 - 80 SP/4	30,7	B99
	56	93,2	5,4	25,19	11,0	20,0	15,0	20,0			
	51	102	5,1	27,61	11,0	20,0	15,0	20,0			
	46	114	4,6	30,92	11,0	20,0	15,0	20,0			
	42	126	4,8	34,12	11,0	20,0	15,0	20,0			
	38	138	4,6	37,23	11,0	20,0	15,0	20,0			
	34	154	4,2	41,54	10,9	20,0	15,0	20,0			
	32	166	3,9	44,85	10,9	20,0	15,0	20,0			
	29	183	3,5	49,50	10,9	20,0	15,0	20,0			
	26	204	3,1	55,12	10,8	20,0	15,0	20,0			
	23	224	2,9	60,45	10,8	20,0	15,0	20,0			
	22	244	2,6	65,95	10,7	20,0	15,0	20,0			
	19	272	2,3	73,64	10,6	20,0	15,0	20,0			
	17	310	2,1	83,70	10,5	20,0	15,0	20,0			
	15	351	1,8	94,86	10,3	20,0	14,8	20,0			
	14	383	1,7	103,48	10,2	20,0	14,7	20,0			
	12	429	1,5	115,89	9,9	20,0	14,6	20,0			
	12	456	1,4	123,33	9,8	20,0	14,5	20,0			
	11	483	1,3	130,55	9,6	20,0	14,3	20,0			
	11	498	1,3	134,64	9,5	20,0	14,3	20,0			
9,9	530	1,2	143,30	9,3	20,0	14,1	20,0				
9,7	543	1,2	146,88	9,2	20,0	14,1	20,0				
8,8	597	1,1	161,45	8,7	20,0	13,8	20,0				
8	658	1,0	177,94	8,2	20,0	13,4	20,0				
7,8	673	1,0	181,88	8,0	20,0	13,3	20,0				
7,3	718	0,9	194,11	7,1	20,0	13,0	20,0				
167	31,4	3,9	8,50	5,5	9,0	7,5	12,0	SK 771.1 - 80 SP/4	21,5	B83	
138	38,1	2,5	10,30	5,8	9,0	7,5	12,0				
108	48,5	1,5	13,10	6,3	9,0	7,5	12,0				
45	118	7,0	31,83	10,1	9,0	16,7	22,3	SK 773.1 - 80 SP/4	43,2	B101	
40	132	6,2	35,77	10,5	9,0	16,6	23,0				
36	144	5,9	39,06	10,8	9,0	16,6	23,6				
33	161	5,4	43,43	11,1	9,0	16,5	24,2				
30	176	4,9	47,61	11,4	9,0	16,5	24,8				
28	190	4,5	51,31	11,7	9,0	16,4	25,0				
25	213	4,0	57,64	12,1	9,0	16,3	25,0				
22	235	3,6	63,42	12,4	9,0	16,2	25,0				
21	255	3,3	68,92	12,7	9,0	16,1	25,0				
20	266	3,2	71,89	12,9	9,0	16,1	25,0				
18	293	3,0	79,23	13,1	9,0	16,0	25,0				
17	308	2,8	83,32	13,0	9,0	15,9	25,0				
15	346	2,5	93,61	12,7	9,0	15,8	25,0				
15	357	2,4	96,57	12,6	9,0	15,7	25,0				
13	414	2,1	111,92	12,1	9,0	15,5	25,0				
12	434	2,0	117,46	11,9	9,0	15,3	25,0				
10	513	1,7	138,78	11,3	9,0	15,0	25,0				
9,4	559	1,3	151,10	10,8	9,0	14,7	25,0				
8,9	593	1,5	160,22	10,5	9,0	14,6	25,0				
8	660	1,3	178,53	9,9	9,0	14,2	25,0				
7,5	700	1,2	189,31	9,6	9,0	14,0	25,0				
6,9	762	1,1	206,11	8,8	9,0	13,6	25,0				
6,3	830	1,0	224,49	8,1	9,0	13,2	25,0				
5,8	901	0,9	243,53	7,4	9,0	12,8	25,0				
5,5	962	0,9	260,18	6,6	9,0	12,4	25,0				
5,4	981	0,9	265,24	6,4	9,0	12,3	25,0				



P_1 [kW]	n_2 [r/min]	M_2 [Nm]	f_B	i_{total}	F_R [kN]	F_A	$F_{R VL}$ [kN]	$F_{A VL}$ [kN]	Type	kg	mm B
0,75	1317	5,4	4,4	1,07	0,8	1,5	2,0	2,9	SK 071.1 - 80 LP/4	12,4	B79
	1187	6	4,1	1,19	0,9	1,5	2,0	3,0			
	708	10,1	2,5	2,00	1,0	2,0	2,0	3,4			
	623	11,5	1,8	2,27	1,0	2,0	2,0	3,5			
	526	13,6	1,7	2,69	1,1	2,2	2,0	3,5			
382	18,7	1,1	3,70	1,2	2,4	2,0	3,5				
	1317	5,4	6,6	1,07	1,4	2,1	3,0	3,9	SK 171.1 - 80 LP/4	13,3	B80
	1226	5,8	6,5	1,15	1,4	2,2	3,0	4,0			
	723	9,9	5,0	1,96	1,7	2,8	3,0	4,5			
	679	10,5	5,0	2,08	1,7	2,9	3,0	4,5			
	522	13,7	3,3	2,71	1,8	3,1	3,0	4,5			
	465	15,4	2,3	3,05	1,9	3,2	3,0	4,5			
	409	17,5	2,6	3,46	2,0	3,3	3,0	4,5			
	295	24,3	1,4	4,80	2,2	3,3	3,0	4,5			
	228	31,4	0,8	6,20	2,3	3,3	3,0	4,5			
	611	11,7	3,7	2,32	2,8	3,9			SK 172.1 - 80 LP/4	14,3	B91
	568	12,6	3,4	2,49	2,8	3,9					
	521	13,8	3,3	2,72	2,8	3,9					
	485	14,8	3,4	2,92	2,8	3,9					
	439	16,3	3,3	3,22	2,8	3,9					
	409	17,5	3,1	3,46	2,8	3,9					
	373	19,2	3,1	3,79	2,8	3,9					
	339	21,1	3,1	4,17	2,8	3,9					
	307	23,4	3,1	4,62	2,8	3,9					
	275	26	3,2	5,14	2,8	3,9					
	245	29,2	2,6	5,77	2,8	3,9					
	220	32,6	2,5	6,43	2,8	3,9					
	200	35,8	2,3	7,08	2,8	3,9					
	181	39,6	2,1	7,83	2,8	3,9					
	162	44,2	2,0	8,72	2,8	3,9					
	145	49,6	1,7	9,79	2,8	3,9					
	131	54,8	1,6	10,83	2,8	3,9					
	124	57,7	1,5	11,39	2,8	3,9					
	117	61,1	1,4	12,06	2,8	3,9					
	104	68,5	1,2	13,54	2,8	3,9					
90	79,8	1,1	15,76	2,8	3,9						
76	94,1	0,9	18,60	2,8	3,9						
69	103	0,8	20,37	2,8	3,9						
63	113	0,8	22,42	2,8	3,9						
	576	12,4	6,7	2,46	2,6	3,8	4,0	6,8	SK 371.1 - 80 LP/4	14,7	B81
	519	13,8	6,0	2,73	2,7	3,9	4,0	7,0			
	456	15,7	5,0	3,10	2,8	3,9	4,0	7,0			
	322	22,3	2,8	4,40	3,1	3,9	4,0	7,0			
	257	27,8	1,8	5,50	3,3	3,9	4,0	7,0			
	197	36,4	1,0	7,20	3,6	3,9	4,0	7,0			
	215	33,3	4,8	6,58	4,8	10,2	6,1	10,2	SK 372.1 - 80 LP/4	17,2	B92
	205	34,9	4,9	6,89	4,9	10,2	6,2	10,2			
	196	36,6	4,6	7,23	4,9	10,2	6,3	10,2			
	172	41,6	4,3	8,22	5,0	10,2	6,5	10,2			
	151	47,6	4,0	9,40	5,1	10,2	6,8	10,2			
	138	52	3,7	10,28	5,2	10,2	7,0	10,2			
	122	58,5	3,2	11,55	5,3	10,2	7,2	10,2			

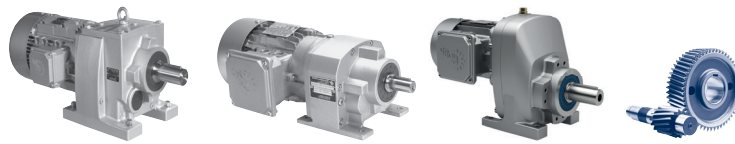
NORDBLOC.1
Helical gear unit


0,75 kW



NORDBLOC.1
Helical gear unit

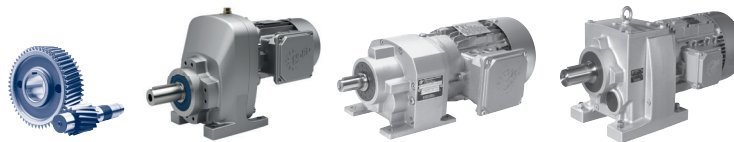
P_1 [kW]	n_2 [r/min]	M_2 [Nm]	f_B	i_{total}	F_R [kN]	F_A	$F_{R VL}$ [kN]	$F_{A VL}$	Type	kg	mm
0,75	109	65,6	3,0	12,96	5,3	10,2	7,5	10,2	SK 372.1 - 80 LP/4	17,2	B92
	97	73,7	2,6	14,57	5,4	10,2	7,8	10,2			
	86	83,5	2,3	16,50	5,4	10,2	8,0	10,2			
	77	93,1	2,1	18,40	5,5	10,2	7,9	10,2			
	69	104	1,8	20,62	5,4	10,2	7,9	10,2			
	62	116	1,7	23,00	5,5	10,2	7,9	10,2			
	55	131	1,5	25,85	5,5	10,2	7,8	10,2			
	47	152	1,2	30,11	5,3	10,2	7,7	10,2			
	42	171	1,1	33,84	5,2	10,2	7,6	10,2			
	37	193	0,9	38,12	5,0	10,2	7,5	10,2			
	76	94,3	2,0	18,63	5,3	10,2	7,9	10,2	SK 373.1 - 80 LP/4	17,7	B93
	69	104	2,0	20,52	5,4	10,2	7,9	10,2			
	62	115	1,8	22,74	5,4	10,2	7,9	10,2			
	60	118	1,8	23,41	5,3	10,2	7,9	10,2			
	55	131	1,6	25,94	5,4	10,2	7,8	10,2			
	48	151	1,4	29,77	5,3	10,2	7,7	10,2			
	43	168	1,2	33,20	5,2	10,2	7,6	10,2			
	38	188	1,1	37,23	4,8	10,2	7,5	10,2			
	33	215	0,9	42,46	4,6	10,2	7,3	10,2			
	30	238	0,9	47,05	4,4	10,2	7,1	10,2			
	236	30,4	3,0	6,00	4,4	7,7	5,0	8,0			
	191	37,5	1,9	7,40	4,7	7,7	5,0	8,0			
	149	48,1	1,1	9,50	5,0	7,7	5,0	8,0			
	86	83,3	4,8	16,46	10,1	15,0	11,0	15,0	SK 572.1 - 80 LP/4	24,7	B94
	86	83,3	4,8	16,46	7,7	15,0	11,0	15,0			
	72	99	4,0	19,57	10,1	15,0	11,0	15,0			
	72	99	4,0	19,57	7,7	15,0	11,0	15,0			
	52	137	2,9	27,00	10,1	15,0	11,0	15,0			
	52	137	2,9	27,00	7,6	15,0	11,0	15,0			
	49	146	2,6	28,91	10,0	15,0	11,0	15,0			
	49	146	2,6	28,91	7,5	15,0	11,0	15,0			
	40	180	2,1	35,65	10,0	15,0	11,0	15,0			
	40	180	2,1	35,65	7,4	15,0	11,0	15,0			
	33	215	1,7	42,38	9,9	15,0	11,0	15,0			
	33	215	1,7	42,38	7,3	15,0	11,0	15,0			
	31	232	1,4	45,77	9,8	15,0	11,0	15,0			
	31	232	1,4	45,77	7,2	15,0	11,0	15,0			
	26	275	1,3	54,41	9,7	15,0	11,0	15,0			
	26	275	1,3	54,41	6,9	15,0	11,0	15,0			
	81	88,2	4,9	17,42	10,1	14,5	11,0	14,5	SK 573.1 - 80 LP/4	25,2	B95
	81	88,2	4,9	17,42	7,7	14,5	11,0	14,5			
	74	97,3	4,4	19,22	10,1	14,5	11,0	14,5			
	74	97,3	4,4	19,22	7,7	14,5	11,0	14,5			
	66	108	4,0	21,32	10,1	14,5	11,0	14,5			
	66	108	4,0	21,32	7,6	14,5	11,0	14,5			
	59	120	3,6	23,79	10,1	14,5	11,0	14,5			
	59	120	3,6	23,79	7,6	14,5	11,0	14,5			
	53	135	3,2	26,77	10,1	14,5	11,0	14,5			
	53	135	3,2	26,77	7,6	14,5	11,0	14,5			
	46	157	2,8	30,93	10,0	14,5	11,0	14,5			
	46	157	2,8	30,93	7,5	14,5	11,0	14,5			
	41	176	2,5	34,80	10,0	14,5	11,0	14,5			
	41	176	2,5	34,80	7,4	14,5	11,0	14,5			



P_1 [kW]	n_2 [r/min]	M_2 [Nm]	f_B	i_{total}	F_R [kN]	F_A	$F_{R VL}$ [kN]	$F_{A VL}$ [kN]	Type	kg	mm 
0,75	37	192	2,3	38,02	9,9	14,5	11,0	14,5	SK 573.1 - 80 LP/4	25,2	B95
	37	192	2,3	38,02	7,4	14,5	11,0	14,5			
	34	214	2,1	42,18	9,9	14,5	11,0	14,5			
	34	214	2,1	42,18	7,3	14,5	11,0	14,5			
	33	220	2,0	43,40	9,9	14,5	11,0	14,5			
	33	220	2,0	43,40	7,2	14,5	11,0	14,5			
	30	243	1,9	47,95	9,8	14,5	11,0	14,5			
	30	243	1,9	47,95	7,1	14,5	11,0	14,5			
	29	251	1,8	49,60	9,8	14,5	11,0	14,5			
	29	251	1,8	49,60	7,1	14,5	11,0	14,5			
	25	282	1,6	55,80	9,7	14,5	11,0	14,5			
	25	282	1,6	55,80	6,9	14,5	11,0	14,5			
	23	309	1,5	60,97	9,5	14,5	11,0	14,5			
	23	309	1,5	60,97	6,7	14,5	11,0	14,5			
	21	342	1,3	67,64	9,0	14,5	11,0	14,5			
	21	342	1,3	67,64	6,4	14,5	11,0	14,5			
	18	389	1,2	76,88	8,4	14,5	11,0	14,5			
	18	389	1,2	76,88	5,9	14,5	11,0	14,5			
	17	431	1,0	85,18	7,9	14,5	11,0	14,5			
	17	431	1,0	85,18	5,4	14,5	11,0	14,5			
15	478	0,9	94,50	7,2	14,5	11,0	14,5				
15	478	0,9	94,50	4,3	14,5	11,0	14,5				
13	552	0,8	109,12	5,9	14,5	11,0	14,5				
13	552	0,8	109,12	4,5	14,5	11,0	14,5				
40	181	3,0	35,75	10,9	20,0	15,0	20,0	SK 672.1 - 80 LP/4	30,2	B98	
32	225	2,0	44,55	10,8	20,0	15,0	20,0				
25	287	1,4	56,65	10,6	20,0	15,0	20,0				
62	115	3,9	22,82	11,0	20,0	15,0	20,0	SK 673.1 - 80 LP/4	31,2	B99	
56	127	3,9	25,19	11,0	20,0	15,0	20,0				
51	140	3,7	27,61	11,0	20,0	15,0	20,0				
46	156	3,4	30,92	10,9	20,0	15,0	20,0				
41	173	3,5	34,12	10,9	20,0	15,0	20,0				
38	188	3,4	37,23	10,9	20,0	15,0	20,0				
34	210	3,0	41,54	10,8	20,0	15,0	20,0				
32	227	2,8	44,85	10,8	20,0	15,0	20,0				
29	251	2,6	49,50	10,7	20,0	15,0	20,0				
26	279	2,3	55,12	10,6	20,0	15,0	20,0				
23	306	2,1	60,45	10,5	20,0	15,0	20,0				
21	334	1,9	65,95	10,4	20,0	14,9	20,0				
19	373	1,7	73,64	10,2	20,0	14,8	20,0				
17	424	1,5	83,70	10,0	20,0	14,6	20,0				
15	480	1,3	94,86	9,6	20,0	14,4	20,0				
14	524	1,2	103,48	9,3	20,0	14,2	20,0				
12	587	1,1	115,89	8,8	20,0	13,8	20,0				
11	624	1,0	123,33	8,5	20,0	13,6	20,0				
11	661	1,0	130,55	8,1	20,0	13,4	20,0				
11	681	0,9	134,64	7,9	20,0	13,3	20,0				
9,9	725	0,9	143,30	6,9	20,0	13,0	20,0				
9,6	743	0,9	146,88	6,3	20,0	12,8	20,0				
262	27,4	6,0	5,41	4,7	8,9	7,5	12,0	SK 771.1 - 80 LP/4	22	B83	
166	43	2,9	8,50	5,4	9,0	7,5	12,0				
137	52,1	1,8	10,30	5,8	9,0	7,5	12,0				
108	66,3	1,1	13,10	6,2	9,0	7,5	12,0				

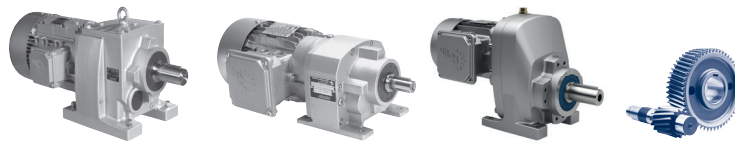
NORDBLOC.1
Helical gear unit


0,75 kW
1,10 kW



NORDBLOC.1
Helical gear unit

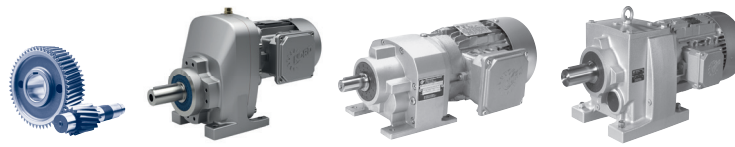
P_1 [kW]	n_2 [r/min]	M_2 [Nm]	f_B	i_{total}	F_R [kN]	F_A	$F_{R VL}$ [kN]	$F_{A VL}$ [kN]	Type	kg	mm
0,75	66	109	6,9	21,49	8,9	9,0	16,4	19,8	SK 773.1 - 80 LP/4	43,7	B101
	58	123	6,2	24,23	9,2	9,0	16,7	20,4			
	56	129	6,4	25,39	9,3	9,0	16,6	20,7			
	49	145	5,7	28,63	9,7	9,0	16,6	21,4			
	44	161	5,1	31,83	10,0	9,0	16,5	21,9			
	40	181	4,5	35,77	10,3	9,0	16,4	22,6			
	36	198	4,3	39,06	10,6	9,0	16,4	23,1			
	33	220	4,0	43,43	10,9	9,0	16,3	23,7			
	30	241	3,6	47,61	11,2	9,0	16,2	24,2			
	28	260	3,3	51,31	11,5	9,0	16,1	24,6			
	25	292	2,9	57,64	11,8	9,0	16,0	25,0			
	22	321	2,6	63,42	12,1	9,0	15,9	25,0			
	21	349	2,4	68,92	12,4	9,0	15,7	25,0			
	20	364	2,3	71,89	12,5	9,0	15,7	25,0			
	18	401	2,2	79,23	12,2	9,0	15,5	25,0			
	17	422	2,0	83,32	12,1	9,0	15,4	25,0			
	15	474	1,8	93,61	11,6	9,0	15,2	25,0			
	15	489	1,7	96,57	11,5	9,0	15,1	25,0			
	13	566	1,5	111,92	10,8	9,0	14,7	25,0			
	12	595	1,5	117,46	10,5	9,0	14,5	25,0			
10	702	1,2	138,78	9,5	9,0	14,0	25,0				
8,8	811	1,1	160,22	8,3	9,0	13,3	25,0				
7,5	958	0,9	189,31	6,7	9,0	12,5	25,0				
1,10	1331	7,9	3,0	1,07	0,8	1,3	2,0	2,7	SK 071.1 - 90 SP/4	17,4	B79
	1199	8,8	2,9	1,19	0,8	1,4	2,0	2,8			
	531	19,8	1,2	2,69	1,0	2,0	2,0	3,5			
1,10	1331	7,9	4,6	1,07	1,3	1,9	3,0	3,8	SK 171.1 - 90 SP/4	18,2	B80
	1239	8,5	4,5	1,15	1,4	2,0	3,0	3,9			
	730	14,4	3,5	1,96	1,6	2,5	3,0	4,5			
	686	15,3	3,5	2,08	1,7	2,6	3,0	4,5			
	413	25,4	1,8	3,46	1,9	3,1	3,0	4,5			
	298	35,3	1,0	4,80	2,1	3,3	3,0	4,5			
1,10	617	17	2,5	2,32	2,8	3,8			SK 172.1 - 90 SP/4	19,2	B91
	574	18,3	2,4	2,49	2,8	3,9					
	526	20	2,3	2,72	2,8	3,9					
	490	21,4	2,3	2,92	2,8	3,9					
	444	23,7	2,3	3,22	2,8	3,9					
	413	25,4	2,1	3,46	2,8	3,9					
	377	27,8	2,1	3,79	2,8	3,9					
	343	30,6	2,1	4,17	2,8	3,9					
	310	33,9	2,1	4,62	2,8	3,9					
	278	37,8	2,2	5,14	2,8	3,9					
	248	42,4	1,8	5,77	2,8	3,9					
	222	47,3	1,7	6,43	2,8	3,9					
	202	52	1,6	7,08	2,8	3,9					
	183	57,5	1,4	7,83	2,8	3,9					
	164	64,1	1,4	8,72	2,8	3,9					
	146	71,9	1,2	9,79	2,8	3,9					
126	83,7	1,0	11,39	2,8	3,9						
1,10	1282	8,2	6,5	1,12	2,0	2,6	4,0	5,3	SK 371.1 - 90 SP/4	19,6	B81
	1107	9,5	6,2	1,29	2,1	2,7	4,0	5,6			
	930	11,3	5,9	1,54	2,2	3,0	4,0	5,8			
	817	12,9	5,8	1,75	2,3	3,1	4,0	6,1			



P_1 [kW]	n_2 [r/min]	M_2 [Nm]	f_B	i_{total}	F_R [kN]	F_A	$F_{R VL}$ [kN]	$F_{A VL}$ [kN]	Type	kg	mm 
1,10	715	14,7	5,4	2,00	2,4	3,3	4,0	6,3	SK 371.1 - 90 SP/4	19,6	B81
	582	18,1	4,6	2,46	2,6	3,6	4,0	6,7			
	524	20	4,1	2,73	2,6	3,7	4,0	6,8			
	461	22,8	3,4	3,10	2,7	3,8	4,0	7,0			
	325	32,3	1,9	4,40	3,0	3,9	4,0	7,0			
	260	40,4	1,2	5,50	3,2	3,9	4,0	7,0			
	545	19,3	4,7	2,62	3,6	8,1	4,5	8,1	SK 372.1 - 90 SP/4	22,1	B92
	500	21	4,3	2,86	3,6	8,4	4,6	8,4			
	458	22,9	4,4	3,12	3,7	8,7	4,7	8,7			
	417	25,2	4,4	3,43	3,8	8,9	4,9	8,9			
	379	27,7	4,3	3,78	3,9	9,2	5,0	9,2			
	342	30,7	4,2	4,18	4,0	9,5	5,2	9,5			
	307	34,3	4,1	4,66	4,1	9,8	5,4	9,8			
	273	38,5	4,2	5,24	4,2	10,2	5,6	10,2			
	240	43,7	3,7	5,95	4,3	10,2	5,8	10,2			
	217	48,3	3,3	6,58	4,4	10,2	6,0	10,2			
	208	50,6	3,4	6,89	4,4	10,2	6,1	10,2			
	198	53,1	3,2	7,23	4,4	10,2	6,1	10,2			
	174	60,4	3,0	8,22	4,5	10,2	6,4	10,2			
	152	69	2,8	9,40	4,5	10,2	6,6	10,2			
	139	75,5	2,5	10,28	4,5	10,2	6,8	10,2			
	124	84,9	2,2	11,55	4,6	10,2	7,1	10,2			
	110	95,2	2,1	12,96	4,5	10,2	7,3	10,2			
	98	107	1,8	14,57	4,6	10,2	7,5	10,2			
	87	121	1,6	16,50	4,4	10,2	7,8	10,2			
	78	135	1,5	18,40	4,3	10,2	7,8	10,2			
	69	152	1,3	20,62	4,1	10,2	7,7	10,2			
	62	169	1,2	23,00	4,1	10,2	7,6	10,2			
	55	190	1,0	25,85	3,9	10,2	7,5	10,2			
	47	221	0,8	30,11	3,5	10,2	7,3	10,2			
	77	137	1,4	18,63	4,1	10,2	7,8	10,2	SK 373.1 - 90 SP/4	22,6	B93
	70	151	1,4	20,52	4,1	10,2	7,7	10,2			
	63	167	1,3	22,74	4,0	10,2	7,6	10,2			
	61	172	1,2	23,41	3,8	10,2	7,6	10,2			
	55	191	1,1	25,94	3,7	10,2	7,5	10,2			
	48	219	1,0	29,77	3,4	10,2	7,3	10,2			
	43	244	0,8	33,20	3,2	10,2	7,1	10,2			
	419	25,1	5,5	3,42	3,6	7,2	5,0	8,0	SK 571.1 - 90 SP/4	22,6	B82
	262	40,1	2,5	5,46	4,1	7,7	5,0	8,0			
	238	44,1	2,0	6,00	4,3	7,7	5,0	8,0			
	193	54,4	1,3	7,40	4,5	7,7	5,0	8,0			
	127	82,6	5,0	11,25	9,2	15,0	11,0	15,0	SK 572.1 - 90 SP/4	29,6	B94
	127	82,6	5,0	11,25	7,7	15,0	11,0	15,0			
	113	93,2	4,6	12,68	9,4	15,0	11,0	15,0			
	113	93,2	4,6	12,68	7,7	15,0	11,0	15,0			
	105	100	4,1	13,67	9,5	15,0	11,0	15,0			
	105	100	4,1	13,67	7,7	15,0	11,0	15,0			
	93	113	3,8	15,38	9,8	15,0	11,0	15,0			
	93	113	3,8	15,38	7,6	15,0	11,0	15,0			
	87	121	3,3	16,46	10,0	15,0	11,0	15,0			
	87	121	3,3	16,46	7,6	15,0	11,0	15,0			
	73	144	2,8	19,57	10,0	15,0	11,0	15,0			

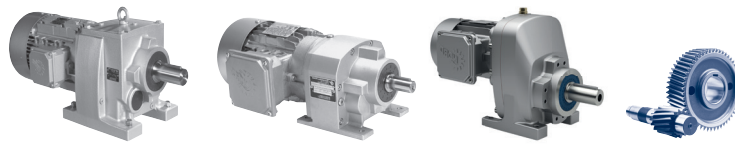
NORDBLOC.1
Helical gear unit

1,10 kW



NORDBLOC.1
Helical gear unit

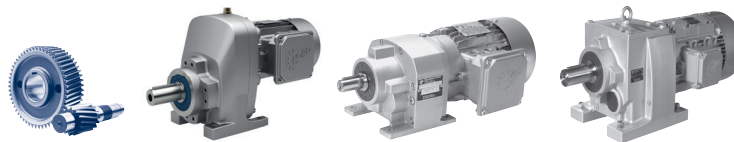
P_1 [kW]	n_2 [r/min]	M_2 [Nm]	f_B	i_{total}	F_R [kN]	F_A	F_{RVL} [kN]	F_{AVL} [kN]	Type	kg	mm
1,10	73	144	2,8	19,57	7,5	15,0	11,0	15,0	SK 572.1 - 90 SP/4	29,6	B94
	65	160	2,6	21,85	10,0	15,0	11,0	15,0			
	65	160	2,6	21,85	7,5	15,0	11,0	15,0			
	58	181	2,4	24,58	10,0	15,0	11,0	15,0			
	58	181	2,4	24,58	7,4	15,0	11,0	15,0			
	53	198	2,0	27,00	9,9	15,0	11,0	15,0			
	53	198	2,0	27,00	7,3	15,0	11,0	15,0			
	49	212	1,8	28,91	9,9	15,0	11,0	15,0			
	49	212	1,8	28,91	7,3	15,0	11,0	15,0			
	46	230	1,6	31,28	9,9	15,0	11,0	15,0			
	46	230	1,6	31,28	7,2	15,0	11,0	15,0			
	40	262	1,4	35,65	9,8	15,0	11,0	15,0			
	40	262	1,4	35,65	7,0	15,0	11,0	15,0			
	34	311	1,2	42,38	9,6	15,0	11,0	15,0			
	34	311	1,2	42,38	6,6	15,0	11,0	15,0			
	31	336	1,0	45,77	9,3	15,0	11,0	15,0			
	31	336	1,0	45,77	6,4	15,0	11,0	15,0			
	26	400	0,9	54,41	8,5	15,0	11,0	15,0			
	26	400	0,9	54,41	5,8	15,0	11,0	15,0			
	82	128	3,4	17,42	9,7	14,5	11,0	14,5			
82	128	3,4	17,42	7,6	14,5	11,0	14,5				
74	141	3,0	19,22	9,9	14,5	11,0	14,5				
74	141	3,0	19,22	7,5	14,5	11,0	14,5				
67	157	2,7	21,32	10,0	14,5	11,0	14,5				
67	157	2,7	21,32	7,5	14,5	11,0	14,5				
60	175	2,5	23,79	10,0	14,5	11,0	14,5				
60	175	2,5	23,79	7,4	14,5	11,0	14,5				
53	197	2,2	26,77	9,9	14,5	11,0	14,5				
53	197	2,2	26,77	7,3	14,5	11,0	14,5				
46	227	1,9	30,93	9,9	14,5	11,0	14,5				
46	227	1,9	30,93	7,2	14,5	11,0	14,5				
41	256	1,7	34,80	9,8	14,5	11,0	14,5				
41	256	1,7	34,80	7,0	14,5	11,0	14,5				
38	279	1,6	38,02	9,7	14,5	11,0	14,5				
38	279	1,6	38,02	6,9	14,5	11,0	14,5				
34	310	1,5	42,18	9,5	14,5	11,0	14,5				
34	310	1,5	42,18	6,7	14,5	11,0	14,5				
33	319	1,4	43,40	9,4	14,5	11,0	14,5				
33	319	1,4	43,40	6,6	14,5	11,0	14,5				
30	352	1,3	47,95	8,9	14,5	11,0	14,5				
30	352	1,3	47,95	6,3	14,5	11,0	14,5				
29	364	1,2	49,60	8,7	14,5	11,0	14,5				
29	364	1,2	49,60	6,2	14,5	11,0	14,5				
26	410	1,1	55,80	8,2	14,5	11,0	14,5				
26	410	1,1	55,80	5,7	14,5	11,0	14,5				
23	448	1,0	60,97	7,5	14,5	11,0	14,5				
23	448	1,0	60,97	5,2	14,5	11,0	14,5				
21	497	0,9	67,64	6,8	14,5	11,0	14,5				
21	497	0,9	67,64	3,4	14,5	11,0	14,5				
83	127	4,8	17,25	11,0	20,0	15,0	20,0	SK 672.1 - 90 SP/4	35,1	B98	
78	135	4,5	18,41	11,0	20,0	15,0	20,0				
69	152	4,0	20,62	10,9	20,0	15,0	20,0				
49	214	2,6	29,08	10,8	20,0	15,0	20,0				
44	239	2,5	32,58	10,7	20,0	15,0	20,0				



P_1 [kW]	n_2 [r/min]	M_2 [Nm]	f_B	i_{total}	F_R [kN]	F_A	$F_{R VL}$ [kN]	$F_{A VL}$ [kN]	Type	kg	mm B
1,10	44	239	2,5	32,58	10,7	20,0	15,0	20,0	SK 672.1 - 90 SP/4	35,1	B98
	40	263	2,1	35,75	10,7	20,0	15,0	20,0			
	32	327	1,4	44,55	10,4	20,0	14,9	20,0			
	25	416	1,0	56,65	10,0	20,0	14,6	20,0			
	63	168	2,7	22,82	10,9	20,0	15,0	20,0	SK 673.1 - 90 SP/4	36,1	B99
	57	185	2,7	25,19	10,9	20,0	15,0	20,0			
	52	203	2,6	27,61	10,8	20,0	15,0	20,0			
	46	227	2,3	30,92	10,8	20,0	15,0	20,0			
	42	251	2,4	34,12	10,7	20,0	15,0	20,0			
	38	273	2,3	37,23	10,6	20,0	15,0	20,0			
	34	305	2,1	41,54	10,5	20,0	15,0	20,0			
	32	329	1,9	44,85	10,4	20,0	14,9	20,0			
	29	364	1,8	49,50	10,3	20,0	14,8	20,0			
	26	405	1,6	55,12	10,1	20,0	14,7	20,0			
	24	444	1,4	60,45	9,9	20,0	14,5	20,0			
	22	484	1,3	65,95	9,6	20,0	14,3	20,0			
	19	541	1,2	73,64	9,2	20,0	14,1	20,0			
	17	615	1,0	83,70	8,6	20,0	13,7	20,0			
	15	697	0,9	94,86	7,6	20,0	13,2	20,0			
	14	760	0,8	103,48	5,8	20,0	12,7	20,0			
	288	36,4	5,7	4,96	4,5	8,5	7,5	12,0	SK 771.1 - 90 SP/4	26,9	B83
	264	39,7	4,1	5,41	4,6	8,7	7,5	12,0			
	186	56,5	2,6	7,69	5,2	9,0	7,5	12,0			
	168	62,4	2,0	8,50	5,3	9,0	7,5	12,0			
	139	75,7	1,3	10,30	5,7	9,0	7,5	12,0			
	59	179	4,6	24,41	9,0	9,0	16,4	19,9	SK 772.1 - 90 SP/4	47,1	B100
	53	197	4,2	26,86	9,2	9,0	16,4	20,4			
	67	158	4,8	21,49	8,7	9,0	15,9	19,3	SK 773.1 - 90 SP/4	48,6	B101
	59	178	4,3	24,23	9,0	9,0	16,4	19,9			
	56	187	4,4	25,39	9,1	9,0	16,4	20,1			
	50	210	3,9	28,63	9,4	9,0	16,3	20,7			
	45	234	3,5	31,83	9,7	9,0	16,2	21,2			
	40	263	3,1	35,77	10,0	9,0	16,1	21,7			
	37	287	3,0	39,06	10,2	9,0	16,0	22,2			
	33	319	2,7	43,43	10,5	9,0	15,9	22,6			
	30	350	2,5	47,61	10,8	9,0	15,7	23,1			
	28	377	2,3	51,31	11,0	9,0	15,6	23,5			
	25	423	2,0	57,64	11,3	9,0	15,4	24,0			
	23	466	1,8	63,42	11,6	9,0	15,2	24,4			
	21	506	1,7	68,92	11,4	9,0	15,0	24,8			
	20	528	1,6	71,89	11,2	9,0	14,9	24,9			
	18	582	1,5	79,23	10,6	9,0	14,6	25,0			
	17	612	1,4	83,32	10,4	9,0	14,5	25,0			
	15	688	1,2	93,61	9,7	9,0	14,1	25,0			
	15	709	1,2	96,57	9,5	9,0	14,0	25,0			
	13	822	1,0	111,92	8,3	9,0	13,3	25,0			
	12	863	1,0	117,46	7,7	9,0	13,0	25,0			
	10	1019	0,8	138,78	5,9	9,0	12,1	25,0			

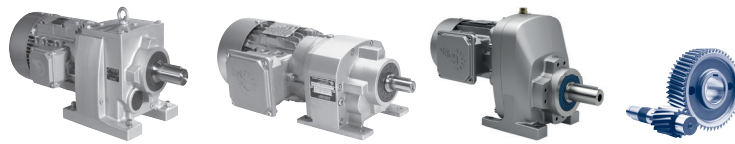
NORDBLOC.1
Helical gear unit



1,10 kW
1,50 kW



NORDBLOC.1
Helical gear unit

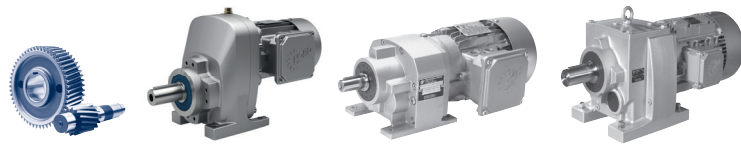
P_1 [kW]	n_2 [r/min]	M_2 [Nm]	f_B	i_{total}	F_R [kN]	F_A	$F_{R VL}$ [kN]	$F_{A VL}$ [kN]	Type	kg	mm B
1,10	40	262	6,5	35,63	17,6	18,0	25,0	30,0	SK 873.1 - 90 SP/4	83,6	B103
	36	291	5,8	39,68	18,2	18,0	25,0	30,0			
	31	334	5,1	45,53	18,9	18,0	25,0	30,0			
	28	370	4,6	50,32	19,4	18,0	25,0	30,0			
	26	407	4,2	55,35	19,3	18,0	25,0	30,0			
	23	449	3,8	61,07	19,3	18,0	25,0	30,0			
	21	496	3,4	67,50	19,2	18,0	25,0	30,0			
	19	546	3,1	74,29	19,1	18,0	25,0	30,0			
	17	610	2,8	83,08	19,0	18,0	25,0	30,0			
	16	672	2,5	91,43	18,9	18,0	25,0	30,0			
	14	742	2,3	101,02	18,8	18,0	25,0	30,0			
	14	770	2,2	104,84	18,7	18,0	25,0	30,0			
	12	851	2,0	115,88	18,5	18,0	25,0	30,0			
	11	937	1,8	127,52	18,3	18,0	25,0	30,0			
	11	999	1,7	135,99	18,1	18,0	25,0	30,0			
	9,5	1104	1,5	150,31	17,7	18,0	25,0	30,0			
	8,6	1215	1,4	165,42	17,3	18,0	25,0	30,0			
	7,5	1402	1,2	190,86	16,5	18,0	24,7	30,0			
	6,8	1550	1,1	210,95	15,8	18,0	24,2	30,0			
	6,2	1705	1,0	232,16	14,8	18,0	23,6	30,0			
5,6	1892	0,9	257,61	13,5	18,0	22,8	30,0				
5	2091	0,8	284,73	11,8	18,0	21,8	30,0				
1,10	22	485	6,6	65,98	27,7	22,0	31,6	40,0	SK 973.1 - 90 SP/4	122,6	B105
	21	503	6,6	68,50	27,7	22,0	31,6	40,0			
	19	554	6,0	75,44	27,6	22,0	31,6	40,0			
	19	567	5,8	77,16	27,6	22,0	31,5	40,0			
	17	633	5,2	86,22	27,5	22,0	31,5	40,0			
	15	698	4,7	94,96	27,5	22,0	31,5	40,0			
	14	773	4,1	105,23	27,4	22,0	31,4	40,0			
	12	883	3,7	120,26	27,2	22,0	31,4	40,0			
	11	973	3,4	132,45	27,1	22,0	31,3	40,0			
	9,1	1158	2,6	157,6	26,8	22,0	31,2	40,0			
	8,2	1275	2,4	173,58	26,7	22,0	31,1	40,0			
	8	1317	2,5	179,32	26,6	22,0	31,1	40,0			
	7,2	1451	2,3	197,50	26,4	22,0	31,0	40,0			
	6,1	1725	1,9	234,77	25,9	22,0	30,7	40,0			
	5,5	1899	1,7	258,57	25,6	22,0	30,6	40,0			
	4,8	2171	1,5	295,50	25,1	22,0	30,3	40,0			
	4,4	2391	1,4	325,47	24,7	22,0	30,0	40,0			
	3,9	2666	1,2	362,89	24,0	22,0	29,7	40,0			
	3,4	3046	1,1	414,73	23,1	22,0	29,2	40,0			
	3,1	3355	1,0	456,77	22,3	22,0	28,8	40,0			
1,50	1317	10,9	3,3	1,07	1,3	1,8	3,0	3,7	SK 171.1 - 90 LP/4	19,8	B80
	1226	11,7	3,3	1,15	1,3	1,8	3,0	3,7			
	723	19,8	2,5	1,96	1,6	2,2	3,0	4,3			
	679	21,1	2,5	2,08	1,6	2,3	3,0	4,5			
	409	35	1,3	3,46	1,8	2,7	3,0	4,5			
1,50	611	23,5	1,8	2,32	2,8	3,7			SK 172.1 - 90 LP/4	20,8	B91
	568	25,2	1,7	2,49	2,8	3,8					
	521	27,5	1,7	2,72	2,8	3,9					
	485	29,5	1,7	2,92	2,8	3,9					
	439	32,6	1,7	3,22	2,8	3,9					
	409	35	1,5	3,46	2,8	3,9					



P_1 [kW]	n_2 [r/min]	M_2 [Nm]	f_B	i_{total}	F_R [kN]	F_A	$F_{R VL}$ [kN]	$F_{A VL}$ [kN]	Type	kg	mm 
1,50	373	38,4	1,5	3,79	2,8	3,9			SK 172.1 - 90 LP/4	20,8	
	339	42,2	1,5	4,17	2,8	3,9					
	307	46,7	1,5	4,62	2,8	3,9					
	275	52	1,6	5,14	2,8	3,9					
	245	58,4	1,3	5,77	2,8	3,9					
	220	65,1	1,3	6,43	2,8	3,9					
	200	71,7	1,1	7,08	2,8	3,9					
	181	79,3	1,0	7,83	2,8	3,9					
	162	88,3	1,0	8,72	2,8	3,9					
	145	99,1	0,9	9,79	2,8	3,9					
	1269	11,3	4,7	1,12	2,0	2,4	4,0	5,2	SK 371.1 - 90 LP/4	21,2	B81
	1095	13,1	4,5	1,29	2,1	2,6	4,0	5,5			
	920	15,6	4,3	1,54	2,2	2,8	4,0	5,7			
	809	17,7	4,2	1,75	2,3	2,9	4,0	5,9			
	708	20,2	4,0	2,00	2,4	3,1	4,0	6,2			
	576	24,9	3,3	2,46	2,5	3,4	4,0	6,5			
	519	27,6	3,0	2,73	2,6	3,5	4,0	6,7			
	456	31,4	2,5	3,10	2,7	3,6	4,0	6,9			
	322	44,5	1,4	4,40	3,0	3,8	4,0	7,0			
	257	55,7	0,9	5,50	3,2	3,9	4,0	7,0			
	539	26,6	3,4	2,62	3,4	8,0	4,4	8,0	SK 372.1 - 90 LP/4	23,7	B92
	495	28,9	3,1	2,86	3,4	8,3	4,6	8,3			
	453	31,6	3,2	3,12	3,5	8,6	4,7	8,6			
	413	34,7	3,2	3,43	3,6	8,8	4,8	8,8			
	375	38,2	3,1	3,78	3,6	9,1	5,0	9,1			
	338	42,3	3,1	4,18	3,7	9,4	5,1	9,4			
	303	47,2	3,0	4,66	3,8	9,7	5,3	9,7			
	270	53,1	3,0	5,24	3,9	10,1	5,5	10,1			
	238	60,2	2,7	5,95	3,9	10,2	5,7	10,2			
	215	66,6	2,4	6,58	4,0	10,2	5,9	10,2			
	205	69,7	2,4	6,89	4,0	10,2	6,0	10,2			
	196	73,2	2,3	7,23	3,9	10,2	6,1	10,2			
	172	83,3	2,2	8,22	3,9	10,2	6,3	10,2			
	151	95,2	2,0	9,40	3,9	10,2	6,5	10,2			
	138	104	1,8	10,28	3,8	10,2	6,7	10,2			
	122	117	1,6	11,55	3,8	10,2	6,9	10,2			
	109	131	1,5	12,96	3,6	10,2	7,1	10,2			
	97	147	1,3	14,57	3,5	10,2	7,3	10,2			
	86	167	1,1	16,50	3,1	10,2	7,5	10,2			
	77	186	1,1	18,40	3,0	10,2	7,5	10,2			
	69	209	0,9	20,62	2,6	10,2	7,4	10,2			
	62	233	0,9	23,00	2,4	10,2	7,2	10,2			
	76	189	1,0	18,63	2,7	10,2	7,5	10,2	SK 373.1 - 90 LP/4	24,2	B93
	69	208	1,0	20,52	2,5	10,2	7,4	10,2			
	62	230	0,9	22,74	2,3	10,2	7,2	10,2			
	60	237	0,9	23,41	2,1	10,2	7,2	10,2			
	566	25,3	6,5	2,50	3,2	6,4	5,0	8,0	SK 571.1 - 90 LP/4	24,2	B82
	502	28,5	5,8	2,82	3,3	6,7	5,0	8,0			
	414	34,6	4,0	3,42	3,5	7,1	5,0	8,0			
	259	55,3	1,8	5,46	4,1	7,7	5,0	8,0			
	236	60,7	1,5	6,00	4,2	7,7	5,0	8,0			
	191	74,9	1,0	7,40	4,4	7,7	5,0	8,0			

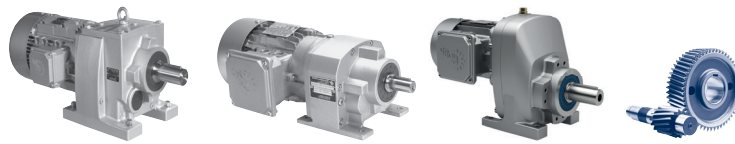
NORDBLOC.1
Helical gear unit

1,50 kW



NORDBLOC.1
Helical gear unit

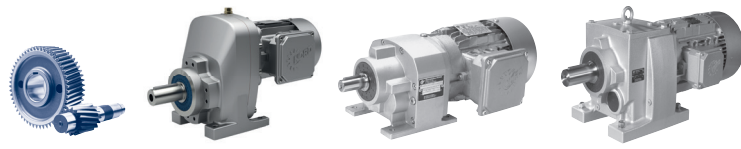
P_1 [kW]	n_2 [r/min]	M_2 [Nm]	f_B	i_{total}	F_R [kN]	F_A	F_{RVL} [kN]	F_{AVL} [kN]	Type	kg	mm B94
1,50	189	75,8	4,6	7,49	8,1	15,0	10,9	15,0	SK 572.1 - 90 LP/4	31,2	B94
	189	75,8	4,6	7,49	7,7	15,0	10,9	15,0			
	174	82,5	4,4	8,15	8,2	15,0	11,0	15,0			
	174	82,5	4,4	8,15	7,7	15,0	11,0	15,0			
	159	90,3	4,1	8,92	8,2	15,0	11,0	15,0			
	159	90,3	4,1	8,92	7,7	15,0	11,0	15,0			
	141	102	3,9	10,04	8,4	15,0	11,0	15,0			
	141	102	3,9	10,04	7,7	15,0	11,0	15,0			
	126	114	3,6	11,25	8,6	15,0	11,0	15,0			
	126	114	3,6	11,25	7,6	15,0	11,0	15,0			
	112	128	3,3	12,68	8,7	15,0	11,0	15,0			
	112	128	3,3	12,68	7,6	15,0	11,0	15,0			
	104	138	3,0	13,67	8,7	15,0	11,0	15,0			
	104	138	3,0	13,67	7,6	15,0	11,0	15,0			
	92	156	2,8	15,38	8,9	15,0	11,0	15,0			
	92	156	2,8	15,38	7,5	15,0	11,0	15,0			
	86	167	2,4	16,46	9,1	15,0	11,0	15,0			
	86	167	2,4	16,46	7,5	15,0	11,0	15,0			
	72	198	2,0	19,57	9,2	15,0	11,0	15,0			
	72	198	2,0	19,57	7,3	15,0	11,0	15,0			
	65	221	1,9	21,85	8,9	15,0	11,0	15,0			
	65	221	1,9	21,85	7,2	15,0	11,0	15,0			
	58	249	1,7	24,58	9,0	15,0	11,0	15,0			
	58	249	1,7	24,58	7,1	15,0	11,0	15,0			
	52	273	1,5	27,00	8,9	15,0	11,0	15,0			
	52	273	1,5	27,00	6,9	15,0	11,0	15,0			
	49	293	1,3	28,91	9,0	15,0	11,0	15,0			
	49	293	1,3	28,91	6,8	15,0	11,0	15,0			
	45	317	1,2	31,28	9,0	15,0	11,0	15,0			
	45	317	1,2	31,28	6,6	15,0	11,0	15,0			
	40	361	1,0	35,65	8,7	15,0	11,0	15,0			
	40	361	1,0	35,65	6,2	15,0	11,0	15,0			
	33	429	0,9	42,38	8,1	15,0	11,0	15,0			
33	429	0,9	42,38	5,5	15,0	11,0	15,0				
	81	176	2,4	17,42	8,6	14,5	11,0	14,5	SK 573.1 - 90 LP/4	31,7	B95
	81	176	2,4	17,42	7,4	14,5	11,0	14,5			
	74	195	2,2	19,22	8,7	14,5	11,0	14,5			
	74	195	2,2	19,22	7,3	14,5	11,0	14,5			
	66	216	2,0	21,32	8,8	14,5	11,0	14,5			
	66	216	2,0	21,32	7,3	14,5	11,0	14,5			
	59	241	1,8	23,79	8,9	14,5	11,0	14,5			
	59	241	1,8	23,79	7,1	14,5	11,0	14,5			
	53	271	1,6	26,77	8,9	14,5	11,0	14,5			
	53	271	1,6	26,77	6,9	14,5	11,0	14,5			
	46	313	1,4	30,93	8,6	14,5	11,0	14,5			
	46	313	1,4	30,93	6,6	14,5	11,0	14,5			
	41	352	1,2	34,80	8,5	14,5	11,0	14,5			
	41	352	1,2	34,80	6,3	14,5	11,0	14,5			
	37	385	1,2	38,02	8,2	14,5	11,0	14,5			
	37	385	1,2	38,02	6,0	14,5	11,0	14,5			
	34	427	1,1	42,18	7,8	14,5	11,0	14,5			
	34	427	1,1	42,18	5,5	14,5	11,0	14,5			
	33	439	1,0	43,40	7,7	14,5	11,0	14,5			
	33	439	1,0	43,40	5,3	14,5	11,0	14,5			
	30	485	0,9	47,95	7,0	14,5	11,0	14,5			
	30	485	0,9	47,95	4,0	14,5	11,0	14,5			
	29	502	0,9	49,60	6,7	14,5	11,0	14,5			
	29	502	0,9	49,60	3,1	14,5	11,0	14,5			



P_1 [kW]	n_2 [r/min]	M_2 [Nm]	f_B	i_{total}	F_R [kN]	F_A	$F_{R VL}$ [kN]	$F_{A VL}$ [kN]	Type	kg	mm B
1,50	124	115	4,9	11,38	11,0	20,0	15,0	20,0	SK 672.1 - 90 LP/4	36,7	B98
	113	127	4,5	12,56	11,0	20,0	15,0	20,0			
	103	139	4,2	13,7	11,0	20,0	15,0	20,0			
	92	155	3,9	15,35	10,9	20,0	15,0	20,0			
	82	175	3,5	17,25	10,9	20,0	15,0	20,0			
	77	186	3,3	18,41	10,9	20,0	15,0	20,0			
	69	209	2,9	20,62	10,8	20,0	15,0	20,0			
	49	294	1,9	29,08	10,6	20,0	15,0	20,0			
	43	330	1,8	32,58	10,4	20,0	14,9	20,0			
	43	330	1,8	32,58	10,4	20,0	14,9	20,0			
	40	362	1,5	35,75	10,3	20,0	14,8	20,0			
32	451	1,0	44,55	9,8	20,0	14,5	20,0				
	62	231	1,9	22,82	10,8	20,0	15,0	20,0	SK 673.1 - 90 LP/4	37,7	B99
	56	255	2,0	25,19	10,7	20,0	15,0	20,0			
	51	279	1,9	27,61	10,6	20,0	15,0	20,0			
	46	313	1,7	30,92	10,5	20,0	14,9	20,0			
	41	345	1,7	34,12	10,4	20,0	14,9	20,0			
	38	377	1,7	37,23	10,2	20,0	14,8	20,0			
	34	420	1,5	41,54	10,0	20,0	14,6	20,0			
	32	454	1,4	44,85	9,8	20,0	14,5	20,0			
	29	501	1,3	49,50	9,5	20,0	14,3	20,0			
	26	558	1,1	55,12	9,1	20,0	14,0	20,0			
	23	612	1,0	60,45	8,6	20,0	13,7	20,0			
	21	668	1,0	65,95	8,1	20,0	13,4	20,0			
	19	745	0,9	73,64	6,3	20,0	12,8	20,0			
	377	38	7,0	3,75	4,1	7,7	7,5	12,0	SK 771.1 - 90 LP/4	28,5	B83
	342	41,9	5,7	4,14	4,2	7,9	7,5	12,0			
	285	50,2	4,1	4,96	4,5	8,4	7,5	12,0			
	262	54,8	3,0	5,41	4,6	8,6	7,5	12,0			
	184	77,9	1,9	7,69	5,1	9,0	7,5	12,0			
	166	86	1,4	8,50	5,3	9,0	7,5	12,0			
	137	104	0,9	10,30	5,6	9,0	7,5	12,0			
	98	146	4,9	14,38	7,6	9,0	14,2	17,1	SK 772.1 - 90 LP/4	48,7	B100
	91	158	4,8	15,62	7,8	9,0	14,4	17,4			
	85	169	4,6	16,66	7,9	9,0	14,6	17,7			
	77	187	4,2	18,46	8,1	9,0	15,0	18,2			
	70	206	4,0	20,31	8,4	9,0	15,4	18,6			
	58	247	3,3	24,41	8,8	9,0	16,0	19,4			
	53	272	3,0	26,86	9,0	9,0	16,1	19,8			
	66	218	3,4	21,49	8,5	9,0	15,5	18,8	SK 773.1 - 90 LP/4	50,2	B101
	58	245	3,1	24,23	8,7	9,0	15,9	19,3			
	56	257	3,2	25,39	8,9	9,0	16,1	19,5			
	49	290	2,8	28,63	9,1	9,0	16,0	20,0			
	44	322	2,5	31,83	9,4	9,0	15,9	20,4			
	40	362	2,3	35,77	9,7	9,0	15,7	20,9			
	36	395	2,1	39,06	9,9	9,0	15,5	21,3			
	33	440	2,0	43,43	10,1	9,0	15,3	21,6			
	30	482	1,8	47,61	10,3	9,0	15,1	21,9			
	28	519	1,6	51,31	10,5	9,0	15,0	22,2			
	25	584	1,5	57,64	10,7	9,0	14,6	22,6			
	22	642	1,3	63,42	10,1	9,0	14,3	22,9			
	21	698	1,2	68,92	9,6	9,0	14,0	23,1			

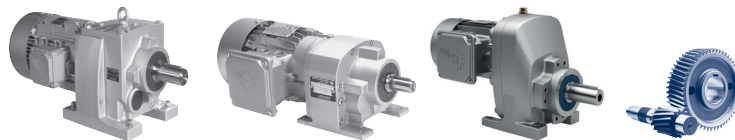
NORDBLOC.1
Helical gear unit

1,50 kW



NORDBLOC.1
Helical gear unit

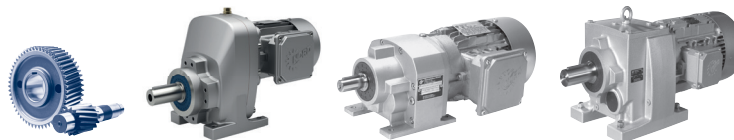
P_1 [kW]	n_2 [r/min]	M_2 [Nm]	f_B	i_{total}	F_R [kN]	F_A	$F_{R VL}$ [kN]	$F_{A VL}$ [kN]	Type	kg	mm
1,50	20	728	1,2	71,89	9,3	9,0	13,9	23,2	SK 773.1 - 90 LP/4	50,2	B101
	18	802	1,1	79,23	8,4	9,0	13,4	23,2			
	17	843	1,0	83,32	8,0	9,0	13,2	23,5			
	15	948	0,9	93,61	6,8	9,0	12,5	23,6			
	15	978	0,9	96,57	6,5	9,0	12,3	23,6			
	60	238	6,9	23,49	15,3	18,0	25,0	30,0	SK 873.1 - 90 LP/4	85,2	B103
	55	263	6,3	25,69	15,8	18,0	25,0	30,0			
	51	279	5,9	27,57	16,1	18,0	25,0	30,0			
	46	308	5,4	30,47	16,6	18,0	25,0	30,0			
	44	326	5,2	32,24	16,9	18,0	25,0	30,0			
	40	361	4,7	35,63	17,4	18,0	25,0	30,0			
	36	402	4,2	39,68	17,9	18,0	25,0	30,0			
	31	461	3,7	45,53	18,6	18,0	25,0	30,0			
	28	509	3,3	50,32	19,1	18,0	25,0	30,0			
	26	560	3,0	55,35	19,1	18,0	25,0	30,0			
	23	618	2,7	61,07	19,0	18,0	25,0	30,0			
	21	683	2,5	67,50	18,9	18,0	25,0	30,0			
	19	752	2,3	74,29	18,7	18,0	25,0	30,0			
	17	841	2,0	83,08	18,5	18,0	25,0	30,0			
	15	926	1,8	91,43	18,3	18,0	25,0	30,0			
	14	1023	1,7	101,02	18,0	18,0	25,0	30,0			
	13	1061	1,6	104,84	17,9	18,0	25,0	30,0			
	12	1173	1,4	115,88	17,5	18,0	25,0	30,0			
	11	1291	1,3	127,52	17,0	18,0	25,0	30,0			
	10	1377	1,2	135,99	16,6	18,0	24,8	30,0			
	9,4	1522	1,1	150,31	15,9	18,0	24,3	30,0			
	8,6	1675	1,0	165,42	15,0	18,0	23,7	30,0			
	7,4	1932	0,9	190,86	13,2	18,0	22,6	30,0			
	30	482	6,6	47,60	27,7	22,0	31,6	40,0	SK 973.1 - 90 LP/4	124,2	B105
	27	530	6,0	52,32	27,6	22,0	31,6	40,0			
	25	563	5,7	55,66	27,6	22,0	31,5	40,0			
	24	606	5,3	59,91	27,6	22,0	31,5	40,0			
	21	668	4,8	65,98	27,5	22,0	31,5	40,0			
	21	693	4,8	68,50	27,5	22,0	31,5	40,0			
	19	764	4,3	75,44	27,4	22,0	31,4	40,0			
	18	781	4,2	77,16	27,4	22,0	31,4	40,0			
	16	873	3,8	86,22	27,2	22,0	31,4	40,0			
	15	961	3,4	94,96	27,1	22,0	31,3	40,0			
	13	1065	3,0	105,23	27,0	22,0	31,2	40,0			
	12	1217	2,7	120,26	26,8	22,0	31,1	40,0			
	11	1341	2,5	132,45	26,6	22,0	31,0	40,0			
	9	1595	1,9	157,60	26,2	22,0	30,8	40,0			
	8,2	1757	1,7	173,58	25,9	22,0	30,7	40,0			
	7,9	1815	1,8	179,32	25,8	22,0	30,6	40,0			
	7,2	1999	1,7	197,50	25,4	22,0	30,5	40,0			
	6	2377	1,4	234,77	24,7	22,0	30,1	40,0			
	5,5	2617	1,3	258,57	24,2	22,0	29,8	40,0			
	4,8	2991	1,1	295,50	23,2	22,0	29,3	40,0			
	4,3	3295	1,0	325,47	22,5	22,0	28,9	40,0			
	3,9	3674	0,9	362,89	20,6	22,0	28,3	40,0			



P_1 [kW]	n_2 [r/min]	M_2 [Nm]	f_B	i_{total}	F_R [kN]	F_A	$F_{R VL}$ [kN]	$F_{A VL}$ [kN]	Type	kg	mm B
2,20	1364	15,4	2,3	1,07	1,2	1,4	3,0	3,4	SK 171.1 - 100 LP/4	31,1	B80
	1270	16,5	2,3	1,15	1,3	1,5	3,0	3,5			
	748	28,1	1,8	1,96	1,4	1,7	3,0	4,0			
	703	29,9	1,8	2,08	1,5	1,9	3,0	4,2			
	1313	16	3,3	1,12	1,9	2,1	4,0	5,0	SK 371.1 - 100 LP/4	32,5	B81
	1134	18,5	3,2	1,29	2,0	2,2	4,0	5,2			
	952	22,1	3,0	1,54	2,1	2,4	4,0	5,5			
	837	25,1	2,9	1,75	2,2	2,5	4,0	5,7			
	733	28,7	2,8	2,00	2,3	2,6	4,0	5,9			
	596	35,3	2,4	2,46	2,4	2,8	4,0	6,2			
	558	37,6	2,4	2,62	3,0	7,6	4,3	7,6	SK 372.1 - 100 LP/4	35	B92
	513	41	2,2	2,86	3,0	8,0	4,4	8,0			
	469	44,8	2,2	3,12	3,1	8,3	4,6	8,3			
	428	49,1	2,2	3,43	3,1	8,5	4,7	8,5			
	388	54,1	2,2	3,78	3,1	8,8	4,8	8,8			
	350	60	2,2	4,18	3,2	9,1	5,0	9,1			
	314	66,9	2,1	4,66	3,2	9,4	5,1	9,4			
	279	75,2	2,1	5,24	3,2	9,7	5,3	9,7			
	246	85,3	1,9	5,95	3,2	10,0	5,5	10,0			
	223	94,4	1,7	6,58	3,2	10,2	5,7	10,2			
	213	98,8	1,7	6,89	3,1	10,2	5,7	10,2			
	203	104	1,6	7,23	3,1	10,2	5,8	10,2			
	178	118	1,5	8,22	2,9	10,2	6,0	10,2			
	156	135	1,4	9,40	2,8	10,2	6,2	10,2			
143	147	1,3	10,28	2,6	10,2	6,3	10,2				
127	166	1,1	11,55	2,4	10,2	6,5	10,2				
	1120	18,8	6,9	1,31	2,6	4,5	5,0	8,0	SK 571.1 - 100 LP/4	35,5	B82
	866	24,3	6,4	1,69	2,8	5,1	5,0	8,0			
	657	32	5,0	2,23	3,0	5,7	5,0	8,0			
	586	35,9	4,6	2,50	3,1	6,1	5,0	8,0			
	520	40,4	4,1	2,82	3,2	6,4	5,0	8,0			
	429	49	2,8	3,42	3,4	6,7	5,0	8,0			
	334	62,9	2,0	4,38	3,7	7,2	5,0	8,0			
268	78,3	1,3	5,46	3,9	7,6	5,0	8,0				
	501	41,9	4,1	2,92	5,9	13,7	7,9	13,7	SK 572.1 - 100 LP/4	42,5	B94
	501	41,9	4,1	2,92	6,4	13,7	7,9	13,7			
	448	46,9	4,1	3,27	6,1	14,6	8,2	14,6			
	448	46,9	4,1	3,27	6,6	14,6	8,2	14,6			
	383	54,9	4,0	3,83	6,3	15,0	8,6	15,0			
	383	54,9	4,0	3,83	6,9	15,0	8,6	15,0			
	347	60,6	3,8	4,22	6,5	15,0	8,9	15,0			
	347	60,6	3,8	4,22	7,0	15,0	8,9	15,0			
	313	67,2	3,7	4,69	6,6	15,0	9,2	15,0			
	313	67,2	3,7	4,69	7,2	15,0	9,2	15,0			
	280	75	3,6	5,23	6,8	15,0	9,5	15,0			
	280	75	3,6	5,23	7,4	15,0	9,5	15,0			
	249	84,4	3,6	5,88	7,0	15,0	9,8	15,0			
	249	84,4	3,6	5,88	7,6	15,0	9,8	15,0			
	233	90,4	3,5	6,30	7,1	15,0	10,1	15,0			
	233	90,4	3,5	6,30	7,7	15,0	10,1	15,0			
	196	107	3,3	7,49	7,3	15,0	10,6	15,0			
196	107	3,3	7,49	7,6	15,0	10,6	15,0				

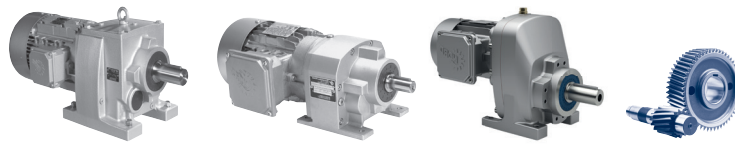
NORDBLOC.1
Helical gear unit


2,20 kW



NORDBLOC.1
Helical gear unit

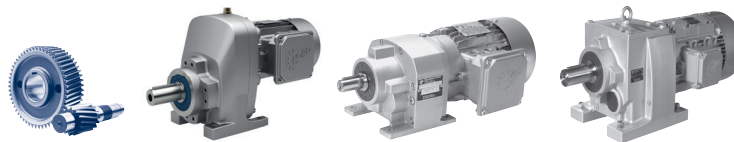
P_1 [kW]	n_2 [r/min]	M_2 [Nm]	f_B	i_{total}	F_R [kN]	F_A	$F_{R VL}$ [kN]	$F_{A VL}$	Type	kg	mm B
2,20	180	117	3,1	8,15	7,4	15,0	10,9	15,0	SK 572.1 - 100 LP/4	42,5	B94
	180	117	3,1	8,15	7,6	15,0	10,9	15,0			
	164	128	2,9	8,92	7,3	15,0	11,0	15,0			
	164	128	2,9	8,92	7,6	15,0	11,0	15,0			
	146	144	2,8	10,04	7,4	15,0	11,0	15,0			
	146	144	2,8	10,04	7,5	15,0	11,0	15,0			
	130	161	2,5	11,25	7,5	15,0	11,0	15,0			
	130	161	2,5	11,25	7,5	15,0	11,0	15,0			
	116	182	2,4	12,68	7,5	15,0	11,0	15,0			
	116	182	2,4	12,68	7,4	15,0	11,0	15,0			
	107	196	2,1	13,67	7,4	15,0	11,0	15,0			
	107	196	2,1	13,67	7,3	15,0	11,0	15,0			
	95	220	2,0	15,38	7,4	15,0	11,0	15,0			
	95	220	2,0	15,38	7,2	15,0	11,0	15,0			
	89	236	1,7	16,46	7,5	15,0	11,0	15,0			
	89	236	1,7	16,46	7,1	15,0	11,0	15,0			
	75	281	1,4	19,57	7,4	15,0	11,0	15,0			
	75	281	1,4	19,57	6,9	15,0	11,0	15,0			
	67	313	1,3	21,85	6,8	15,0	11,0	15,0			
	67	313	1,3	21,85	6,6	15,0	11,0	15,0			
60	352	1,2	24,58	6,6	15,0	11,0	15,0				
60	352	1,2	24,58	6,3	15,0	11,0	15,0				
47	449	0,8	31,28	6,2	15,0	11,0	15,0				
47	449	0,8	31,28	5,2	15,0	11,0	15,0				
	84	250	1,7	17,42	6,8	14,5	11,0	14,5	SK 573.1 - 100 LP/4	43	B95
	84	250	1,7	17,42	7,1	14,5	11,0	14,5			
	76	276	1,6	19,22	6,8	14,5	11,0	14,5			
	76	276	1,6	19,22	6,9	14,5	11,0	14,5			
	69	306	1,4	21,32	6,7	14,5	11,0	14,5			
	69	306	1,4	21,32	6,7	14,5	11,0	14,5			
	62	341	1,3	23,79	6,6	14,5	11,0	14,5			
	62	341	1,3	23,79	6,4	14,5	11,0	14,5			
	55	384	1,1	26,77	6,4	14,5	11,0	14,5			
	55	384	1,1	26,77	6,0	14,5	11,0	14,5			
	47	444	1,0	30,93	5,6	14,5	11,0	14,5			
	47	444	1,0	30,93	5,3	14,5	11,0	14,5			
	42	499	0,9	34,80	5,2	14,5	11,0	14,5			
	42	499	0,9	34,80	3,3	14,5	11,0	14,5			
	39	545	0,8	38,02	4,5	14,5	11,0	14,5			
	39	545	0,8	38,02	4,5	14,5	11,0	14,5			
	191	110	4,8	7,68	11,0	20,0	13,2	20,0	SK 672.1 - 100 LP/4	48	B98
	173	122	4,4	8,48	11,0	20,0	13,6	20,0			
	169	124	4,3	8,66	11,0	20,0	13,7	20,0			
	158	133	4,0	9,25	11,0	20,0	14,0	20,0			
	141	149	3,8	10,37	10,9	20,0	14,5	20,0			
	129	163	3,5	11,38	10,9	20,0	14,9	20,0			
	117	180	3,2	12,56	10,9	20,0	15,0	20,0			
	107	197	3,0	13,70	10,8	20,0	15,0	20,0			
	95	220	2,8	15,35	10,8	20,0	15,0	20,0			
	85	247	2,5	17,25	10,7	20,0	15,0	20,0			
	80	264	2,3	18,41	10,7	20,0	15,0	20,0			
	71	296	2,1	20,62	10,5	20,0	15,0	20,0			
	63	336	1,8	23,41	10,4	20,0	14,9	20,0			
	56	376	1,6	26,23	10,2	20,0	14,8	20,0			
	50	417	1,3	29,08	10,0	20,0	14,6	20,0			
	45	467	1,3	32,58	9,7	20,0	14,4	20,0			
	45	467	1,3	32,58	9,7	20,0	14,4	20,0			



P_1 [kW]	n_2 [r/min]	M_2 [Nm]	f_B	i_{total}	F_R [kN]	F_A	$F_{R VL}$ [kN]	$F_{A VL}$	Type	kg	mm 
2,20	64	327	1,4	22,82	10,4	20,0	14,9	20,0	SK 673.1 - 100 LP/4	49	B99
	58	361	1,4	25,19	10,3	20,0	14,8	20,0			
	53	396	1,3	27,61	10,1	20,0	14,7	20,0			
	47	443	1,2	30,92	9,9	20,0	14,5	20,0			
	43	489	1,2	34,12	9,6	20,0	14,3	20,0			
	39	534	1,2	37,23	9,3	20,0	14,1	20,0			
	35	596	1,1	41,54	8,8	20,0	13,8	20,0			
	33	643	1,0	44,85	8,3	20,0	13,5	20,0			
	30	710	0,9	49,50	7,3	20,0	13,1	20,0			
	27	790	0,8	55,12	4,6	20,0	12,5	20,0			
	433	48,5	5,3	3,38	3,9	7,1	7,5	12,0	SK 771.1 - 100 LP/4	39,8	B83
	391	53,8	4,9	3,75	4,0	7,4	7,5	12,0			
	354	59,3	4,0	4,14	4,1	7,7	7,5	12,0			
	295	71,1	2,9	4,96	4,3	8,1	7,5	12,0			
	235	89,4	1,9	6,23	4,6	8,6	7,5	12,0			
	190	110	1,3	7,69	4,9	9,0	7,5	12,0			
	146	143	4,7	10,00	6,6	9,0	12,4	15,0	SK 772.1 - 100 LP/4	60	B100
	138	152	4,5	10,60	6,7	9,0	12,6	15,3			
	132	159	4,4	11,06	6,8	9,0	12,7	15,4			
	126	167	4,1	11,67	6,9	9,0	12,9	15,6			
	112	187	3,7	13,07	7,1	9,0	13,2	16,0			
	102	206	3,5	14,38	7,3	9,0	13,5	16,4			
	94	224	3,4	15,62	7,4	9,0	13,7	16,6			
	88	239	3,2	16,66	7,6	9,0	13,9	16,9			
	79	265	2,9	18,46	7,8	9,0	14,2	17,3			
	72	291	2,8	20,31	7,9	9,0	14,5	17,6			
	60	350	2,3	24,41	8,3	9,0	15,0	18,2			
	55	385	2,1	26,86	8,5	9,0	15,3	18,5			
	68	308	2,4	21,49	8,0	9,0	14,6	17,7	SK 773.1 - 100 LP/4	61,5	B101
	60	347	2,2	24,23	8,3	9,0	14,9	18,1			
	58	364	2,3	25,39	8,4	9,0	15,1	18,3			
	51	411	2,0	28,63	8,6	9,0	15,4	18,7			
	46	457	1,8	31,83	8,8	9,0	15,2	18,9			
	41	513	1,6	35,77	9,0	9,0	15,0	19,2			
	38	560	1,5	39,06	9,1	9,0	14,7	19,5			
	34	623	1,4	43,43	9,3	9,0	14,4	19,6			
	31	683	1,3	47,61	9,4	9,0	14,1	19,7			
	29	736	1,2	51,31	9,2	9,0	13,8	19,9			
	25	827	1,0	57,64	8,2	9,0	13,3	20,1			
	23	910	0,9	63,42	7,3	9,0	12,8	20,1			
	21	988	0,9	68,92	6,3	9,0	12,3	20,1			
	20	1031	0,8	71,89	5,8	9,0	12,0	20,1			
	377	55,7	6,5	3,88	6,2	9,1	8,0	12,5	SK 871.1 - 100 LP/4	65,2	B84
	341	61,5	5,8	4,29	6,4	9,6	8,0	12,5			
	204	103	2,7	7,18	7,5	11,1	8,0	12,5			
	42	503	2,4	35,08	16,6	18,0	25,0	30,0	SK 872.1 - 100 LP/4	94,5	B102
	38	556	2,3	38,77	17,1	18,0	25,0	30,0			
	34	612	2,3	42,67	17,5	18,0	25,0	30,0			

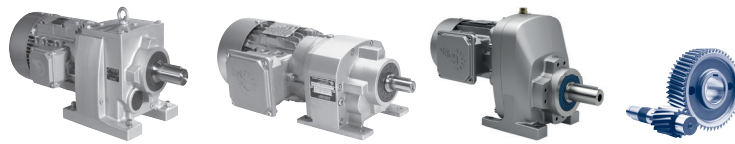
NORDBLOC.1
Helical gear unit

2,20 kW
3,00 kW



NORDBLOC.1
Helical gear unit

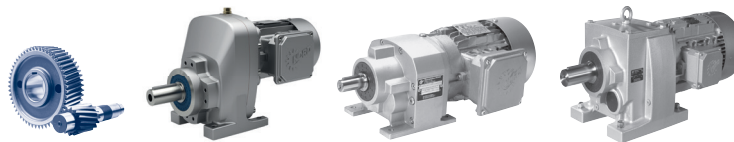
P_1 [kW]	n_2 [r/min]	M_2 [Nm]	f_B	i_{total}	F_R [kN]	F_A	$F_{R VL}$ [kN]	$F_{A VL}$ [kN]	Type	kg	mm B
2,20	62	337	4,9	23,49	14,8	18,0	25,0	30,0	SK 873.1 - 100 LP/4	96,5	B103
	56	372	4,4	25,69	15,3	18,0	25,0	30,0			
	53	395	4,2	27,57	15,5	18,0	25,0	30,0			
	48	437	3,8	30,47	16,0	18,0	25,0	30,0			
	45	462	3,7	32,24	16,2	18,0	25,0	30,0			
	41	511	3,3	35,63	16,7	18,0	25,0	30,0			
	37	569	3,0	39,68	17,1	18,0	25,0	30,0			
	32	653	2,6	45,53	17,8	18,0	25,0	30,0			
	29	722	2,4	50,32	18,2	18,0	25,0	30,0			
	26	794	2,1	55,35	18,6	18,0	25,0	30,0			
	24	876	1,9	61,07	18,4	18,0	25,0	30,0			
	22	968	1,8	67,50	18,2	18,0	25,0	30,0			
	20	1065	1,6	74,29	17,9	18,0	25,0	30,0			
	18	1191	1,4	83,08	17,4	18,0	25,0	30,0			
	16	1311	1,3	91,43	16,9	18,0	25,0	30,0			
	15	1449	1,2	101,02	16,3	18,0	24,6	30,0			
	14	1503	1,1	104,84	16,0	18,0	24,4	30,0			
	13	1662	1,0	115,88	15,1	18,0	23,8	30,0			
	11	1829	0,9	127,52	14,0	18,0	23,1	30,0			
	11	1950	0,9	135,99	13,0	18,0	22,5	30,0			
	266	78,9	6,1	5,5	8,9	12,6	9,0	14,0	SK 971.1 - 100 LP/4	79,6	B86
	47	444	7,0	30,97	27,7	22,0	31,6	40,0			
	46	458	7,0	31,95	27,7	22,0	31,6	40,0			
	42	505	6,3	35,19	27,7	22,0	31,6	40,0			
	39	536	6,0	37,36	27,6	22,0	31,6	40,0			
	34	610	5,2	42,51	27,6	22,0	31,5	40,0			
	31	683	4,7	47,60	27,5	22,0	31,5	40,0			
	28	750	4,3	52,32	27,4	22,0	31,4	40,0			
	26	798	4,0	55,66	27,3	22,0	31,4	40,0			
	24	859	3,7	59,91	27,3	22,0	31,4	40,0			
	22	946	3,4	65,98	27,1	22,0	31,3	40,0			
	21	982	3,4	68,50	27,1	22,0	31,3	40,0			
	19	1082	3,1	75,44	27,0	22,0	31,2	40,0			
	19	1106	3,0	77,16	26,9	22,0	31,2	40,0			
	17	1236	2,7	86,22	26,7	22,0	31,1	40,0			
	15	1362	2,4	94,96	26,6	22,0	31,0	40,0			
	14	1509	2,1	105,23	26,3	22,0	30,9	40,0			
	12	1725	1,9	120,26	25,9	22,0	30,7	40,0			
	11	1899	1,7	132,45	25,6	22,0	30,6	40,0			
	9,3	2260	1,3	157,60	24,9	22,0	30,2	40,0			
	8,4	2489	1,2	173,58	24,4	22,0	29,9	40,0			
	8,2	2571	1,3	179,32	24,2	22,0	29,8	40,0			
	7,4	2832	1,2	197,50	23,7	22,0	29,5	40,0			
	6,2	3367	1,0	234,77	22,2	22,0	28,8	40,0			
	5,7	3708	0,9	258,57	20,1	22,0	28,2	40,0			
3,00	225	128	5,6	6,50	9,7	15,0	10,0	15,0	SK 1071.1 - 100 AP/4	131	B88
	1309	21,9	2,4	1,12	1,9	1,8	4,0	4,8	SK 371.1 - 100 AP/4	32,5	B81
	1130	25,3	2,3	1,29	1,9	1,9	4,0	5,0			
	949	30,2	2,2	1,54	2,0	2,0	4,0	5,3			
	834	34,3	2,2	1,75	2,1	2,1	4,0	5,4			
	730	39,2	2,0	2,00	2,2	2,1	4,0	5,6			
	594	48,2	1,7	2,46	2,2	2,2	4,0	5,9			



P_1 [kW]	n_2 [r/min]	M_2 [Nm]	f_B	i_{total}	F_R [kN]	F_A	$F_{R VL}$ [kN]	$F_{A VL}$ [kN]	Type	kg	mm B
3,00	556	51,5	1,7	2,62	2,6	7,4	4,2	7,4	SK 372.1 - 100 AP/4	35	B92
	511	56,1	1,6	2,86	2,6	7,7	4,3	7,7			
	467	61,3	1,6	3,12	2,6	8,1	4,5	8,1			
	426	67,2	1,6	3,43	2,6	8,3	4,6	8,3			
	387	74,1	1,6	3,78	2,6	8,5	4,7	8,5			
	349	82,1	1,6	4,18	2,6	8,8	4,8	8,8			
	313	91,5	1,5	4,66	2,6	9,1	5,0	9,1			
	279	103	1,6	5,24	2,5	9,4	5,2	9,4			
	245	117	1,4	5,95	2,4	9,7	5,3	9,7			
	222	129	1,2	6,58	2,4	9,9	5,5	9,9			
	212	135	1,3	6,89	2,2	10,0	5,5	10,0			
	202	142	1,2	7,23	2,1	10,1	5,6	10,1			
	178	161	1,1	8,22	1,8	10,2	5,7	10,2			
	155	184	1,0	9,40	1,5	10,2	5,9	10,2			
	142	202	0,9	10,28	1,1	10,2	6,0	10,2			
	126	227	0,8	11,55	0,8	10,2	6,2	10,2			
1116	863	25,7	5,0	1,31	2,5	4,4	5,0	8,0	SK 571.1 - 100 AP/4	35,5	B82
	654	33,2	4,7	1,69	2,7	4,9	5,0	8,0			
	584	43,8	3,6	2,23	2,9	5,5	5,0	8,0			
	518	49,1	3,4	2,50	3,0	5,8	5,0	8,0			
	427	55,3	3,0	2,82	3,1	6,1	5,0	8,0			
	333	67	2,0	3,42	3,3	6,4	5,0	8,0			
	267	86	1,5	4,38	3,5	6,8	5,0	8,0			
	267	107	1,0	5,46	3,7	7,2	5,0	8,0			
499	346	57,4	3,0	2,92	5,5	13,6	7,8	13,6	SK 572.1 - 100 AP/4	42,5	B94
	447	57,4	3,0	2,92	6,0	13,6	7,8	13,6			
	447	64,1	3,0	3,27	5,7	14,4	8,1	14,4			
	381	64,1	3,0	3,27	6,1	14,4	8,1	14,4			
	381	75,1	2,9	3,83	5,9	15,0	8,5	15,0			
	381	75,1	2,9	3,83	6,4	15,0	8,5	15,0			
	346	82,9	2,8	4,22	6,0	15,0	8,8	15,0			
	346	82,9	2,8	4,22	6,5	15,0	8,8	15,0			
	312	91,9	2,7	4,69	6,1	15,0	9,1	15,0			
	312	91,9	2,7	4,69	6,6	15,0	9,1	15,0			
	279	103	2,6	5,23	6,2	15,0	9,4	15,0			
	279	103	2,6	5,23	6,7	15,0	9,4	15,0			
	248	115	2,6	5,88	6,3	15,0	9,7	15,0			
	248	115	2,6	5,88	6,9	15,0	9,7	15,0			
	232	124	2,6	6,30	6,4	15,0	9,9	15,0			
	232	124	2,6	6,30	7,0	15,0	9,9	15,0			
	195	147	2,4	7,49	6,5	15,0	10,5	15,0			
	195	147	2,4	7,49	7,1	15,0	10,5	15,0			
	179	160	2,3	8,15	6,5	15,0	10,7	15,0			
	179	160	2,3	8,15	7,0	15,0	10,7	15,0			
	164	175	2,1	8,92	6,3	15,0	10,9	15,0			
	164	175	2,1	8,92	6,8	15,0	10,9	15,0			
	145	197	2,0	10,04	6,3	15,0	11,0	15,0			
	145	197	2,0	10,04	6,8	15,0	11,0	15,0			
	130	221	1,9	11,25	6,2	15,0	11,0	15,0			
	130	221	1,9	11,25	6,7	15,0	11,0	15,0			
115	249	1,7	12,68	6,0	15,0	11,0	15,0				
115	249	1,7	12,68	6,6	15,0	11,0	15,0				
107	268	1,5	13,67	5,8	15,0	11,0	15,0				
107	268	1,5	13,67	6,3	15,0	11,0	15,0				

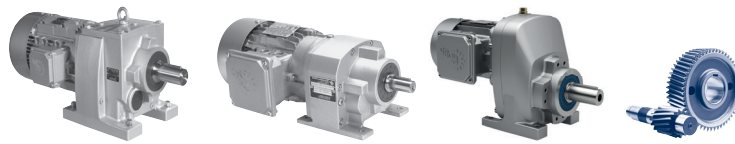
NORDBLOC.1
Helical gear unit

3,00 kW



NORDBLOC.1
Helical gear unit

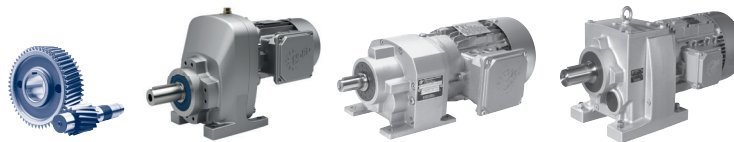
P_1 [kW]	n_2 [r/min]	M_2 [Nm]	f_B	i_{total}	F_R [kN]	F_A	$F_{R VL}$ [kN]	$F_{A VL}$	Type	kg	mm
3,00	95	302	1,4	15,38	5,7	15,0	11,0	15,0	SK 572.1 - 100 AP/4	42,5	B94
	95	302	1,4	15,38	6,2	15,0	11,0	15,0			
	89	323	1,2	16,46	5,7	15,0	11,0	15,0			
	89	323	1,2	16,46	6,2	15,0	11,0	15,0			
	75	384	1,0	19,57	5,3	15,0	11,0	15,0			
	75	384	1,0	19,57	5,7	15,0	11,0	15,0			
	67	429	1,0	21,85	4,3	15,0	11,0	15,0			
	67	429	1,0	21,85	4,6	15,0	11,0	15,0			
	59	482	0,9	24,58	3,9	15,0	11,0	15,0			
	59	482	0,9	24,58	4,2	15,0	11,0	15,0			
	84	342	1,3	17,42	4,7	14,5	11,0	14,5	SK 573.1 - 100 AP/4	43	B95
	84	342	1,3	17,42	5,1	14,5	11,0	14,5			
	76	377	1,1	19,22	4,5	14,5	11,0	14,5			
	76	377	1,1	19,22	4,8	14,5	11,0	14,5			
	68	418	1,0	21,32	4,2	14,5	11,0	14,5			
	68	418	1,0	21,32	4,6	14,5	11,0	14,5			
	61	467	0,9	23,79	3,8	14,5	11,0	14,5			
	61	467	0,9	23,79	4,2	14,5	11,0	14,5			
	55	525	0,8	26,77	3,4	14,5	11,0	14,5			
	55	525	0,8	26,77	0,6	14,5	11,0	14,5			
	317	90,5	5,0	4,61	11,0	19,6	11,2	19,6	SK 672.1 - 100 AP/4	48	B98
	288	99,3	4,8	5,06	11,0	20,0	11,5	20,0			
	261	110	4,5	5,59	11,0	20,0	11,9	20,0			
	239	120	4,3	6,12	11,0	20,0	12,2	20,0			
	216	132	3,9	6,75	11,0	20,0	12,6	20,0			
	190	151	3,5	7,68	10,9	20,0	13,1	20,0			
	172	166	3,2	8,48	10,9	20,0	13,5	20,0			
	169	170	3,1	8,66	10,9	20,0	13,6	20,0			
	158	182	2,9	9,25	10,9	20,0	13,8	20,0			
	141	203	2,8	10,37	10,8	20,0	14,3	20,0			
	128	223	2,6	11,38	10,8	20,0	14,7	20,0			
	116	246	2,3	12,56	10,7	20,0	15,0	20,0			
	107	269	2,2	13,70	10,6	20,0	15,0	20,0			
	95	301	2,0	15,35	10,5	20,0	15,0	20,0			
	85	338	1,8	17,25	10,4	20,0	14,9	20,0			
	79	361	1,7	18,41	10,3	20,0	14,8	20,0			
	71	405	1,5	20,62	10,1	20,0	14,7	20,0			
	62	459	1,3	23,41	9,8	20,0	14,4	20,0			
	56	515	1,2	26,23	9,4	20,0	14,2	20,0			
	50	571	1,0	29,08	9,0	20,0	13,9	20,0			
45	639	1,0	32,58	8,3	20,0	13,5	20,0				
45	639	1,0	32,58	8,3	20,0	13,5	20,0				
	64	448	1,0	22,82	9,8	20,0	14,5	20,0	SK 673.1 - 100 AP/4	49	B99
	58	494	1,0	25,19	9,5	20,0	14,3	20,0			
	53	542	1,0	27,61	9,2	20,0	14,1	20,0			
	47	607	0,9	30,92	8,7	20,0	13,7	20,0			
	43	670	0,9	34,12	8,0	20,0	13,3	20,0			
	39	730	0,9	37,23	6,7	20,0	12,9	20,0			
	678	42,3	6,6	2,15	3,3	5,6	7,5	12,0	SK 771.1 - 100 AP/4	39,8	B83
	550	52,1	6,0	2,65	3,5	6,1	7,5	12,0			
	431	66,4	3,9	3,38	3,8	6,9	7,5	12,0			
	389	73,6	3,6	3,75	3,9	7,2	7,5	12,0			



P_1 [kW]	n_2 [r/min]	M_2 [Nm]	f_B	i_{total}	F_R [kN]	F_A	$F_{R VL}$ [kN]	$F_{A VL}$	Type	kg	mm B
3,00	353	81,2	2,9	4,14	4,0	7,4	7,5	12,0	SK 771.1 - 100 AP/4	39,8	B83
	294	97,3	2,1	4,96	4,2	7,8	7,5	12,0			
	234	122	1,4	6,23	4,5	8,2	7,5	12,0			
	190	151	1,0	7,69	4,8	8,7	7,5	12,0			
	236	122	4,8	6,19	5,6	8,0	10,7	13,0	SK 772.1 - 100 AP/4	60	B100
	220	130	4,6	6,63	5,7	8,3	11,1	13,4			
	191	150	4,1	7,63	5,9	8,4	11,2	13,6			
	180	159	4,0	8,12	6,0	8,6	11,5	13,9			
	163	176	3,7	8,97	6,2	8,8	11,7	14,2			
	146	196	3,5	10,00	6,4	8,9	12,0	14,5			
	138	208	3,3	10,60	6,5	9,0	12,2	14,8			
	132	217	3,2	11,06	6,6	9,0	12,3	14,9			
	125	229	3,0	11,67	6,7	9,0	12,5	15,1			
	112	256	2,7	13,07	6,8	9,0	12,7	15,4			
	102	282	2,6	14,38	7,0	9,0	13,0	15,7			
	93	307	2,5	15,62	7,1	9,0	13,1	15,9			
	88	327	2,4	16,66	7,2	9,0	13,3	16,1			
	79	362	2,2	18,46	7,4	9,0	13,5	16,4			
	72	399	2,1	20,31	7,6	9,0	13,7	16,6			
	60	479	1,7	24,41	7,8	9,0	14,0	17,0			
	54	527	1,6	26,86	8,0	9,0	14,2	17,2			
	68	422	1,8	21,49	7,6	9,0	13,7	16,7	SK 773.1 - 100 AP/4	61,5	B101
	60	475	1,6	24,23	7,8	9,0	14,0	16,9			
	57	498	1,6	25,39	7,9	9,0	14,1	17,1			
	51	562	1,5	28,63	8,0	9,0	14,3	17,3			
	46	625	1,3	31,83	8,1	9,0	14,3	17,3			
	41	702	1,2	35,77	8,3	9,0	14,0	17,4			
	37	766	1,1	39,06	8,2	9,0	13,6	17,6			
	34	852	1,0	43,43	7,5	8,6	13,1	17,4			
	31	934	0,9	47,61	6,9	8,2	12,6	17,4			
	28	1007	0,8	51,31	6,1	8,1	12,1	17,5			
	475	60,4	6,6	3,08	5,7	7,9	8,0	12,5	SK 871.1 - 100 AP/4	65,2	B84
	427	67	6,0	3,42	5,9	8,2	8,0	12,5			
	376	76,2	4,7	3,88	6,1	8,7	8,0	12,5			
	340	84,2	4,3	4,29	6,3	9,1	8,0	12,5			
	203	141	2,0	7,18	7,3	10,5	8,0	12,5			
	96	298	4,9	15,18	12,8	18,0	22,5	30,0	SK 872.1 - 100 AP/4	94,5	B102
	86	333	4,6	16,96	13,2	18,0	23,2	30,0			
	78	366	4,2	18,67	13,6	18,0	23,8	30,0			
	42	688	1,7	35,08	16,0	18,0	25,0	30,0			
	38	761	1,7	38,77	16,4	18,0	25,0	30,0			
	34	837	1,7	42,67	16,8	18,0	25,0	30,0			
	62	461	3,6	23,49	14,5	18,0	25,0	30,0	SK 873.1 - 100 AP/4	96,5	B103
	56	509	3,2	25,69	14,9	18,0	25,0	30,0			
	53	541	3,0	27,57	15,1	18,0	25,0	30,0			
	48	598	2,8	30,47	15,5	18,0	25,0	30,0			
	45	633	2,7	32,24	15,7	18,0	25,0	30,0			
	41	699	2,4	35,63	16,1	18,0	25,0	30,0			
	37	779	2,2	39,68	16,5	18,0	25,0	30,0			
	32	893	1,9	45,53	17,0	18,0	25,0	30,0			
	29	987	1,7	50,32	17,4	18,0	25,0	30,0			

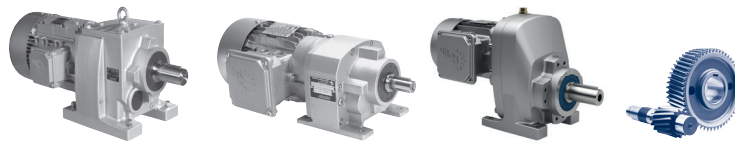
NORDBLOC.1
Helical gear unit



3,00 kW
4,00 kW



NORDBLOC.1
Helical gear unit

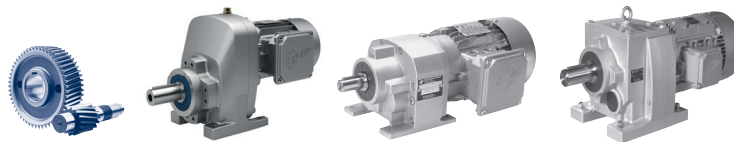
P_1 [kW]	n_2 [r/min]	M_2 [Nm]	f_B	i_{total}	F_R [kN]	F_A	$F_{R VL}$ [kN]	$F_{A VL}$ [kN]	Type	kg	mm B				
3,00	26	1086	1,6	55,35	17,8	18,0	25,0	30,0	SK 873.1 - 100 AP/4	96,5	B103				
	24	1198	1,4	61,07	17,4	18,0	25,0	30,0							
	22	1324	1,3	67,50	16,9	18,0	24,9	30,0							
	20	1458	1,2	74,29	16,2	18,0	24,5	30,0							
	18	1630	1,0	83,08	15,3	18,0	23,9	30,0							
	16	1794	0,9	91,43	14,2	18,0	23,2	30,0							
	14	1982	0,9	101,02	12,8	18,0	22,4	30,0							
	14	2057	0,8	104,84	12,1	18,0	22,0	30,0							
	331	86,7	6,9	4,42	8,3	11,4	9,0	14,0							
	290	98,9	5,5	5,04	8,6	12,0	9,0	14,0							
	265	108	4,4	5,50	8,8	12,2	9,0	14,0							
	3,00	54	534	5,6	27,22	26,7	22,0	31,6				40,0	SK 973.1 - 100 AP/4	135,5	B105
		47	608	5,1	30,97	27,6	22,0	31,5				40,0			
		46	627	5,1	31,95	27,5	22,0	31,5				40,0			
41		691	4,6	35,19	27,5	22,0	31,5	40,0							
39		733	4,4	37,36	27,4	22,0	31,5	40,0							
34		834	3,8	42,51	27,3	22,0	31,4	40,0							
31		934	3,4	47,60	27,2	22,0	31,3	40,0							
28		1027	3,1	52,32	27,0	22,0	31,3	40,0							
26		1092	2,9	55,66	26,9	22,0	31,2	40,0							
24		1176	2,7	59,91	26,8	22,0	31,2	40,0							
22		1295	2,5	65,98	26,7	22,0	31,1	40,0							
21		1344	2,5	68,50	26,6	22,0	31,0	40,0							
19		1480	2,2	75,44	26,4	22,0	30,9	40,0							
19		1514	2,2	77,16	26,3	22,0	30,9	40,0							
17		1692	2,0	86,22	26,0	22,0	30,7	40,0							
15		1863	1,8	94,96	25,7	22,0	30,6	40,0							
14		2065	1,5	105,23	25,3	22,0	30,4	40,0							
12		2360	1,4	120,26	24,7	22,0	30,1	40,0							
11		2599	1,3	132,45	24,2	22,0	29,8	40,0							
9,3		3092	1,0	157,60	23,0	22,0	29,2	40,0							
8,4	3406	0,9	173,58	22,2	22,0	28,7	40,0								
8,1	3518	0,9	179,32	21,8	22,0	28,5	40,0								
7,4	3875	0,9	197,50	17,2	22,0	28,0	40,0								
4,00	272	140	6,3	5,29	9,1	15,0	10,0	15,0	SK 1071.1 - 112 MP/4	138,5	B88				
	222	172	4,1	6,5	9,6	15,0	10,0	15,0							
4,00	1291	29,6	1,8	1,12	1,6	1,4	4,0	4,6	SK 371.1 - 112 MP/4	40	B81				
	1115	34,3	1,7	1,29	1,6	1,5	4,0	4,8							
	936	40,8	1,6	1,54	1,5	1,5	4,0	5,0							
	823	46,4	1,6	1,75	1,5	1,6	4,0	5,1							
	720	53,1	1,5	2,00	1,5	1,6	4,0	5,3							
	586	65,2	1,3	2,46	1,3	1,6	4,0	5,5							
4,00	1101	34,7	3,7	1,31	2,4	4,2	5,0	8,0	SK 571.1 - 112 MP/4	43	B82				
	851	44,9	3,5	1,69	2,6	4,6	5,0	8,0							
	646	59,2	2,7	2,23	2,8	5,1	5,0	8,0							
	576	66,3	2,5	2,50	2,9	5,2	5,0	8,0							
	511	74,8	2,2	2,82	3,0	5,4	5,0	8,0							
	421	90,6	1,5	3,42	3,2	5,8	5,0	8,0							
4,00	493	77,5	2,2	2,92	5,1	13,4	7,7	13,4	SK 572.1 - 112 MP/4	50	B94				
	493	77,5	2,2	2,92	5,5	13,4	7,7	13,4							
	440	86,7	2,2	3,27	5,2	14,2	8,0	14,2							
	440	86,7	2,2	3,27	5,6	14,2	8,0	14,2							



P_1 [kW]	n_2 [r/min]	M_2 [Nm]	f_B	i_{total}	F_R [kN]	F_A	$F_{R VL}$ [kN]	$F_{A VL}$ [kN]	Type	kg	mm  
4,00	376	102	2,2	3,83	5,3	15,0	8,4	15,0	SK 572.1 - 112 MP/4	50	B94
	376	102	2,2	3,83	5,7	15,0	8,4	15,0			
	341	112	2,1	4,22	5,4	15,0	8,7	15,0			
	341	112	2,1	4,22	5,8	15,0	8,7	15,0			
	307	124	2,0	4,69	5,4	15,0	8,9	15,0			
	307	124	2,0	4,69	5,9	15,0	8,9	15,0			
	275	139	1,9	5,23	5,5	15,0	9,2	15,0			
	275	139	1,9	5,23	5,9	15,0	9,2	15,0			
	245	156	1,9	5,88	5,5	15,0	9,6	15,0			
	245	156	1,9	5,88	6,0	15,0	9,6	15,0			
	229	167	1,9	6,30	5,6	15,0	9,8	15,0			
	229	167	1,9	6,30	6,0	15,0	9,8	15,0			
	192	199	1,8	7,49	5,5	15,0	10,3	15,0			
	192	199	1,8	7,49	6,0	15,0	10,3	15,0			
	177	216	1,7	8,15	5,4	15,0	10,5	15,0			
	177	216	1,7	8,15	5,8	15,0	10,5	15,0			
	161	237	1,6	8,92	5,0	15,0	10,7	15,0			
	161	237	1,6	8,92	5,4	15,0	10,7	15,0			
	143	266	1,5	10,04	4,9	15,0	11,0	15,0			
	143	266	1,5	10,04	5,3	15,0	11,0	15,0			
	128	298	1,4	11,25	4,6	15,0	11,0	15,0			
	128	298	1,4	11,25	5,0	15,0	11,0	15,0			
	114	336	1,3	12,68	4,2	15,0	10,9	15,0			
	114	336	1,3	12,68	4,6	15,0	10,9	15,0			
	105	363	1,1	13,67	3,8	15,0	10,6	15,0			
	105	363	1,1	13,67	4,1	15,0	10,6	15,0			
	94	408	1,1	15,38	3,5	15,0	10,4	15,0			
	94	408	1,1	15,38	3,8	15,0	10,4	15,0			
	87	437	0,9	16,46	3,4	15,0	10,5	15,0			
	87	437	0,9	16,46	3,7	15,0	10,5	15,0			
83	462	0,9	17,42	1,9	14,5	9,1	14,5	SK 573.1 - 112 MP/4	50,5	B95	
83	462	0,9	17,42	2,1	14,5	9,1	14,5				
75	510	0,8	19,22	1,5	14,5	8,9	14,5				
75	510	0,8	19,22	1,6	14,5	8,9	14,5				
541	70,6	4,0	2,66	9,3	15,5	9,3	15,5	SK 672.1 - 112 MP/4	55,5	B98	
504	75,7	4,0	2,86	9,5	16,0	9,5	16,0				
469	81,5	3,9	3,07	9,8	16,6	9,8	16,6				
435	87,8	3,9	3,31	10,0	17,2	10,0	17,2				
402	94,9	3,8	3,58	10,2	17,9	10,2	17,9				
371	103	3,9	3,88	10,5	18,4	10,5	18,4				
341	112	3,8	4,22	10,8	18,9	10,8	18,9				
312	122	3,7	4,61	11,0	19,4	11,1	19,4				
285	134	3,6	5,06	11,0	20,0	11,4	20,0				
258	148	3,3	5,59	10,9	20,0	11,8	20,0				
235	162	3,1	6,12	10,9	20,0	12,1	20,0				
213	179	2,9	6,75	10,9	20,0	12,5	20,0				
187	204	2,6	7,68	10,8	20,0	12,9	20,0				
170	225	2,4	8,48	10,8	20,0	13,3	20,0				
166	230	2,3	8,66	10,8	20,0	13,4	20,0				
156	245	2,2	9,25	10,7	20,0	13,6	20,0				
139	275	2,1	10,37	10,6	20,0	14,1	20,0				
127	302	1,9	11,38	10,5	20,0	14,5	20,0				
115	333	1,7	12,56	10,4	20,0	14,9	20,0				
105	364	1,6	13,70	10,3	20,0	14,8	20,0				

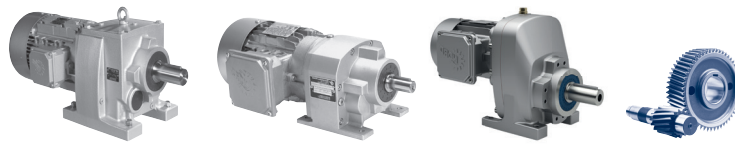
NORDBLOC.1
Helical gear unit


4,00 kW



NORDBLOC.1
Helical gear unit

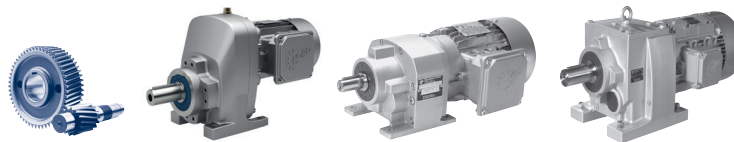
P_1 [kW]	n_2 [r/min]	M_2 [Nm]	f_B	i_{total}	F_R [kN]	F_A	$F_{R VL}$ [kN]	$F_{A VL}$	Type	kg	mm
4,00	94	407	1,5	15,35	10,1	20,0	14,6	20,0	SK 672.1 - 112 MP/4	55,5	B98
	83	458	1,3	17,25	9,8	20,0	14,5	20,0			
	78	488	1,2	18,41	9,6	20,0	14,3	20,0			
	70	547	1,1	20,62	9,2	20,0	14,0	20,0			
	938	40,7	5,4	1,54	2,9	4,7	7,5	12,0	SK 771.1 - 112 MP/4	47,3	B83
	669	57,1	4,9	2,15	3,3	5,4	7,5	12,0			
	543	70,4	4,4	2,65	3,5	5,9	7,5	12,0			
	425	89,8	2,9	3,38	3,7	6,6	7,5	12,0			
	384	99,5	2,7	3,75	3,8	6,9	7,5	12,0			
	348	110	2,2	4,14	3,9	7,1	7,5	12,0			
	290	132	1,6	4,96	4,1	7,5	7,5	12,0			
	326	117	4,6	4,42	5,0	7,1	9,7	11,7	SK 772.1 - 112 MP/4	67,5	B100
	267	143	4,0	5,38	5,3	7,6	10,3	12,5			
	233	164	3,5	6,19	5,4	7,6	10,4	12,6			
	217	176	3,4	6,63	5,6	7,9	10,8	13,1			
	189	202	3,1	7,63	5,7	7,8	10,8	13,1			
	177	215	3,0	8,12	5,9	8,0	11,1	13,4			
	160	238	2,8	8,97	6,0	8,1	11,3	13,7			
	144	265	2,6	10,00	6,1	8,2	11,5	13,9			
	136	281	2,4	10,6	6,3	8,3	11,7	14,2			
	130	293	2,4	11,06	6,3	8,3	11,7	14,2			
	123	309	2,2	11,67	6,4	8,4	11,9	14,4			
	110	347	2,0	13,07	6,5	8,4	12,1	14,6			
	100	381	1,9	14,38	6,7	8,5	12,3	14,9			
	92	414	1,8	15,62	6,8	8,3	12,3	14,9			
	86	442	1,7	16,66	6,9	8,4	12,5	15,1			
	78	490	1,6	18,46	7,0	8,4	12,6	15,3			
71	539	1,5	20,31	7,1	8,3	12,8	15,4				
59	648	1,3	24,41	7,2	7,9	12,8	15,5				
54	712	1,2	26,86	7,0	7,8	12,9	15,6				
	67	570	1,3	21,49	7,1	8,0	12,7	15,3	SK 773.1 - 112 MP/4	69	B101
	59	643	1,2	24,23	7,0	7,8	12,7	15,4			
	57	674	1,2	25,39	7,1	7,9	12,8	15,5			
	50	759	1,1	28,63	6,6	7,5	12,8	15,5			
	45	844	1,0	31,83	5,9	7,0	12,7	15,3			
	40	949	0,9	35,77	5,2	6,4	12,5	15,2			
	37	1036	0,8	39,06	4,8	6,2	11,9	15,2			
	791	48,3	6,6	1,82	4,8	6,1	8,0	12,5	SK 871.1 - 112 MP/4	72,7	B84
	674	56,7	6,3	2,14	5,0	6,5	8,0	12,5			
	576	66,3	6,0	2,50	5,3	6,9	8,0	12,5			
	468	81,6	4,9	3,08	5,6	7,5	8,0	12,5			
	421	90,6	4,4	3,42	5,8	7,8	8,0	12,5			
	371	103	3,5	3,88	6,0	8,2	8,0	12,5			
	336	114	3,2	4,29	6,2	8,5	8,0	12,5			
	273	140	2,6	5,27	6,6	9,2	8,0	12,5			
	201	191	1,5	7,18	7,2	9,8	8,0	12,5			
	128	298	4,7	11,24	11,6	18,0	20,6	28,7	SK 872.1 - 112 MP/4	102	B102
	115	331	4,4	12,48	11,9	18,0	21,2	29,4			
	104	366	4,0	13,79	12,2	18,0	21,8	30,0			
	95	403	3,7	15,18	12,6	18,0	22,3	30,0			
	85	450	3,4	16,96	12,9	18,0	23,0	30,0			



P_1 [kW]	n_2 [r/min]	M_2 [Nm]	f_B	i_{total}	F_R [kN]	F_A	$F_{R VL}$ [kN]	$F_{A VL}$	Type	kg	mm 
4,00	77	495	3,1	18,67	13,3	18,0	23,6	30,0	SK 872.1 - 112 MP/4	102	B102
	50	771	2,0	29,08	14,8	18,0	25,0	30,0			
	45	849	1,9	32,00	15,1	18,0	25,0	30,0			
	41	930	1,3	35,08	15,4	18,0	25,0	30,0			
	37	1028	1,3	38,77	15,7	18,0	25,0	30,0			
	34	1132	1,2	42,67	16,0	18,0	25,0	30,0			
	61	623	2,6	23,49	14,0	18,0	25,0	30,0	SK 873.1 - 112 MP/4	104	B103
	55	689	2,4	25,69	14,4	18,0	25,0	30,0			
	52	731	2,3	27,57	14,6	18,0	25,0	30,0			
	47	808	2,1	30,47	14,9	18,0	25,0	30,0			
	45	855	2,0	32,24	15,1	18,0	25,0	30,0			
	40	945	1,8	35,63	15,4	18,0	25,0	30,0			
	36	1053	1,6	39,68	15,7	18,0	25,0	30,0			
	32	1208	1,4	45,53	16,1	18,0	25,0	30,0			
	29	1335	1,3	50,32	16,4	18,0	24,9	30,0			
	26	1468	1,2	55,35	16,2	18,0	24,5	30,0			
	24	1620	1,0	61,07	15,4	18,0	23,9	30,0			
	21	1790	0,9	67,50	14,3	18,0	23,3	30,0			
	19	1970	0,9	74,29	12,9	18,0	22,4	30,0			
	435	87,7	6,8	3,31	7,5	9,6	9,0	14,0	SK 971.1 - 112 MP/4	87,1	B86
	393	97,3	6,2	3,67	7,7	10,1	9,0	14,0			
	357	107	5,6	4,04	8,0	10,5	9,0	14,0			
	326	117	5,1	4,42	8,2	10,9	9,0	14,0			
	286	134	4,0	5,04	8,5	11,6	9,0	14,0			
	262	146	3,3	5,50	8,8	11,8	9,0	14,0			
	211	181	3,0	6,82	9,0	12,5	9,0	14,0			
	34	1134	2,6	42,76	26,9	22,0	31,2	40,0	SK 972.1 - 112 MP/4	141	B104
	53	722	4,2	27,22	26,4	22,0	31,5	40,0	SK 973.1 - 112 MP/4	143	B105
	46	822	3,8	30,97	27,3	22,0	31,4	40,0			
	45	848	3,8	31,95	27,3	22,0	31,4	40,0			
	41	933	3,4	35,19	27,2	22,0	31,3	40,0			
	39	991	3,2	37,36	27,1	22,0	31,3	40,0			
	34	1128	2,8	42,51	26,9	22,0	31,2	40,0			
	30	1263	2,5	47,60	26,7	22,0	31,1	40,0			
	28	1388	2,3	52,32	26,5	22,0	31,0	40,0			
	26	1476	2,2	55,66	26,4	22,0	30,9	40,0			
	24	1589	2,0	59,91	26,2	22,0	30,8	40,0			
	22	1750	1,8	65,98	25,9	22,0	30,7	40,0			
	21	1817	1,8	68,50	25,8	22,0	30,6	40,0			
	19	2001	1,6	75,44	25,4	22,0	30,5	40,0			
	19	2047	1,6	77,16	25,4	22,0	30,4	40,0			
	17	2287	1,4	86,22	24,9	22,0	30,2	40,0			
	15	2519	1,3	94,96	24,4	22,0	29,9	40,0			
	14	2791	1,1	105,23	23,8	22,0	29,6	40,0			
	12	3190	1,0	120,26	22,7	22,0	29,0	40,0			
	11	3513	0,9	132,45	21,8	22,0	28,5	40,0			

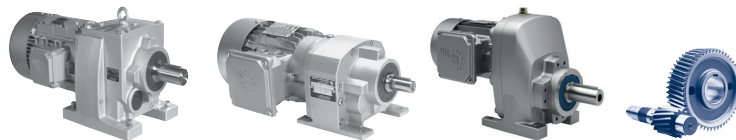
NORDBLOC.1
Helical gear unit

5,50 kW



NORDBLOC.1
Helical gear unit

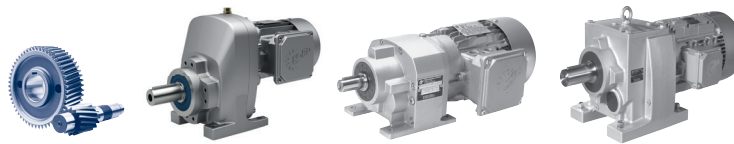
P_1 [kW]	n_2 [r/min]	M_2 [Nm]	f_B	i_{total}	F_R [kN]	F_A	$F_{R VL}$ [kN]	$F_{A VL}$ [kN]	Type	kg	mm
5,50	332	158	6,3	4,42	8,4	13,7	10,0	15,0	SK 1071.1 - 132 SP/4	158	B88
	307	171	5,2	4,77	8,6	14,1	10,0	15,0			
	277	190	4,7	5,29	8,8	14,7	10,0	15,0			
	225	233	3,0	6,50	9,4	15,0	10,0	15,0			
	181	290	2,4	8,09	10,0	15,0	10,0	15,0			
	1120	46,9	2,8	1,31	2,3	3,7	5,0	8,0	SK 571.1 - 132 SP/4	62,5	B82
	866	60,7	2,6	1,69	2,5	4,0	5,0	8,0			
	657	80	2,0	2,23	2,7	4,3	5,0	8,0			
	586	89,6	1,8	2,50	2,7	4,4	5,0	8,0			
	501	105	1,6	2,92	4,3	12,9	7,5	12,9			
	501	105	1,6	2,92	4,7	12,9	7,5	12,9			
	448	117	1,6	3,27	4,4	13,6	7,8	13,6			
	448	117	1,6	3,27	4,8	13,6	7,8	13,6			
	383	137	1,6	3,83	4,4	14,6	8,2	14,6			
	383	137	1,6	3,83	4,8	14,6	8,2	14,6			
	347	151	1,5	4,22	4,4	15,0	8,4	15,0			
347	151	1,5	4,22	4,8	15,0	8,4	15,0				
313	168	1,5	4,69	4,4	15,0	8,7	15,0				
313	168	1,5	4,69	4,8	15,0	8,7	15,0				
280	188	1,4	5,23	4,4	15,0	9,0	15,0				
280	188	1,4	5,23	4,7	15,0	9,0	15,0				
249	211	1,4	5,88	4,3	15,0	9,3	15,0				
249	211	1,4	5,88	4,6	15,0	9,3	15,0				
233	226	1,4	6,30	4,3	15,0	9,5	15,0				
233	226	1,4	6,30	4,7	15,0	9,5	15,0				
196	269	1,3	7,49	4,0	15,0	9,9	15,0				
196	269	1,3	7,49	4,4	15,0	9,9	15,0				
180	292	1,2	8,15	3,7	15,0	9,7	15,0				
180	292	1,2	8,15	4,0	15,0	9,7	15,0				
164	320	1,2	8,92	3,1	15,0	9,2	15,0				
164	320	1,2	8,92	3,4	15,0	9,2	15,0				
146	360	1,1	10,04	2,8	15,0	9,1	15,0				
146	360	1,1	10,04	3,1	15,0	9,1	15,0				
130	403	1,0	11,25	2,3	15,0	8,7	15,0				
130	403	1,0	11,25	2,5	15,0	8,7	15,0				
551	95,4	2,9	2,66	9,2	15,1	9,2	15,1	SK 672.1 - 132 SP/4	75	B98	
513	102	2,9	2,86	9,4	15,6	9,4	15,6				
477	110	2,9	3,07	9,6	16,1	9,6	16,1				
443	119	2,9	3,31	9,8	16,7	9,8	16,7				
409	128	2,8	3,58	10,0	17,4	10,0	17,4				
378	139	2,9	3,88	10,3	18,0	10,3	18,0				
347	151	2,8	4,22	10,6	18,5	10,6	18,5				
318	165	2,7	4,61	10,9	19,0	10,9	19,0				
289	181	2,6	5,06	10,9	19,5	11,2	19,5				
262	200	2,4	5,59	10,8	20,0	11,5	20,0				
240	219	2,3	6,12	10,8	20,0	11,8	20,0				
217	242	2,1	6,75	10,7	20,0	12,1	20,0				
191	275	1,9	7,68	10,6	20,0	12,6	20,0				
173	304	1,7	8,48	10,5	20,0	12,9	20,0				
169	311	1,7	8,66	10,5	20,0	13,0	20,0				
158	332	1,6	9,25	10,4	20,0	13,2	20,0				
141	372	1,5	10,37	10,2	20,0	13,7	20,0				



P_1 [kW]	n_2 [r/min]	M_2 [Nm]	f_B	i_{total}	F_R [kN]	F_A	$F_{R VL}$ [kN]	$F_{A VL}$ [kN]	Type	kg	mm B
5,50	129	408	1,4	11,38	10,1	20,0	13,9	20,0	SK 672.1 - 132 SP/4	75	B98
	117	450	1,3	12,56	9,8	20,0	14,3	20,0			
	107	491	1,2	13,70	9,6	20,0	14,3	20,0			
	95	550	1,1	15,35	9,1	20,0	14,0	20,0			
5,50	1172	44,8	4,2	1,25	2,7	4,2	7,5	11,1	SK 771.1 - 132 SP/4	66,8	B83
	954	55,1	4,0	1,54	2,9	4,5	7,5	11,8			
	680	77,2	3,6	2,15	3,2	5,1	7,5	12,0			
	552	95,1	3,3	2,65	3,3	5,5	7,5	12,0			
	433	121	2,1	3,38	3,6	6,1	7,5	12,0			
	391	134	2,0	3,75	3,6	6,3	7,5	12,0			
5,50	469	112	4,3	3,12	4,4	5,9	8,8	10,6	SK 772.1 - 132 SP/4	87	B100
	408	129	3,8	3,59	4,5	6,0	8,9	10,8			
	382	138	3,9	3,84	4,7	6,3	9,2	11,1			
	332	158	3,4	4,42	4,8	6,3	9,3	11,2			
	311	169	3,3	4,71	4,9	6,6	9,5	11,5			
	272	193	3,0	5,38	5,1	6,9	9,9	12,0			
	237	222	2,6	6,19	5,2	6,8	9,9	11,9			
	221	238	2,5	6,63	5,3	7,2	10,3	12,5			
	192	274	2,3	7,63	5,4	6,9	10,2	12,3			
	180	291	2,2	8,12	5,5	7,1	10,4	12,6			
	163	322	2,1	8,97	5,7	7,1	10,6	12,8			
	146	359	1,9	10,00	5,8	7,0	10,7	12,9			
	138	380	1,8	10,60	5,9	7,2	10,9	13,2			
	132	396	1,7	11,06	5,9	7,1	10,9	13,1			
	126	418	1,6	11,67	6,0	7,2	11,0	13,3			
	112	468	1,5	13,07	6,1	7,0	11,1	13,4			
	102	515	1,4	14,38	6,2	7,0	11,2	13,6			
	94	560	1,4	15,62	5,9	6,6	11,1	13,4			
88	597	1,3	16,66	5,9	6,6	11,2	13,6				
79	662	1,2	18,46	5,5	6,4	11,2	13,6				
72	728	1,1	20,31	5,3	6,2	11,2	13,6				
5,50	68	770	1,0	21,49	4,7	5,7	11,0	13,3	SK 773.1 - 132 SP/4	88,5	B101
	60	869	0,9	24,23	4,0	5,2	10,9	13,2			
	58	910	0,9	25,39	3,9	5,2	10,9	13,2			
5,50	1036	50,7	5,5	1,41	4,3	5,2	8,0	12,5	SK 871.1 - 132 SP/4	92,2	B84
	977	53,8	5,2	1,50	4,4	5,3	8,0	12,5			
	897	58,6	5,5	1,63	4,5	5,5	8,0	12,5			
	804	65,3	4,9	1,82	4,7	5,7	8,0	12,5			
	685	76,6	4,7	2,14	4,9	6,0	8,0	12,5			
	586	89,6	4,5	2,50	5,2	6,4	8,0	12,5			
	476	110	3,6	3,08	5,5	6,8	8,0	12,5			
	429	122	3,3	3,42	5,7	7,1	8,0	12,5			
	377	139	2,6	3,88	5,9	7,4	8,0	12,5			
	341	154	2,3	4,29	6,0	7,6	8,0	12,5			
	317	166	2,2	4,63	6,2	7,8	8,0	12,5			
	278	189	1,9	5,27	6,4	8,1	8,0	12,5			
	204	257	1,1	7,18	6,9	8,8	8,0	12,5			
	5,50	190	277	4,7	7,73	10,1	15,8	18,3			
165		318	4,2	8,87	10,4	16,2	18,9	26,1			
159		331	4,2	9,24	10,6	16,5	19,2	26,5			
140		374	3,7	10,44	10,9	16,9	19,8	27,1			

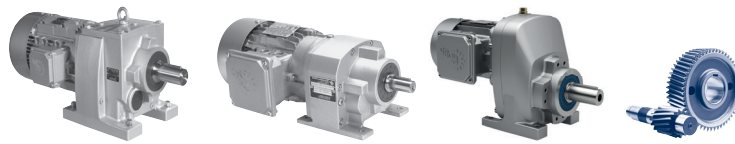
NORDBLOC.1
Helical gear unit

5,50 kW



NORDBLOC.1
Helical gear unit

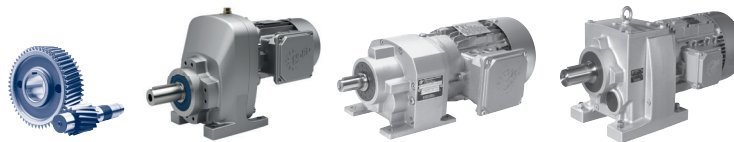
P_1 [kW]	n_2 [r/min]	M_2 [Nm]	f_B	i_{total}	F_R [kN]	F_A	$F_{R VL}$ [kN]	$F_{A VL}$ [kN]	Type	kg	mm
5,50	130	403	3,5	11,24	11,2	17,3	20,2	27,7	SK 872.1 - 132 SP/4	121,5	B102
	117	447	3,3	12,48	11,5	17,6	20,8	28,3			
	106	494	3,0	13,79	11,8	17,9	21,3	28,9			
	97	544	2,7	15,18	12,1	18,0	21,8	29,6			
	86	608	2,5	16,96	12,4	18,0	22,4	30,0			
	78	669	2,3	18,67	12,7	18,0	23,0	30,0			
	64	825	1,9	23,02	13,2	18,0	24,2	30,0			
	58	912	1,8	25,44	13,5	18,0	24,7	30,0			
	52	1004	1,6	28,00	13,7	18,0	25,0	30,0			
	50	1042	1,5	29,08	13,8	18,0	25,0	30,0			
	46	1147	1,4	32,00	14,1	18,0	25,0	30,0			
	42	1258	1,0	35,08	14,2	18,0	25,0	30,0			
	38	1390	0,9	38,77	14,4	18,0	24,7	30,0			
	34	1530	0,9	42,67	14,7	18,0	24,3	30,0			
	76	693	2,3	19,34	12,7	18,0	23,2	30,0	SK 873.1 - 132 SP/4	123,5	B103
	69	766	2,1	21,38	13,0	18,0	23,7	30,0			
	62	842	2,0	23,49	13,3	18,0	24,3	30,0			
	56	931	1,8	25,69	13,5	18,0	24,8	30,0			
	53	988	1,7	27,57	13,7	18,0	25,0	30,0			
	48	1092	1,5	30,47	13,9	18,0	25,0	30,0			
	45	1156	1,5	32,24	14,0	18,0	25,0	30,0			
	41	1277	1,3	35,63	14,3	18,0	25,0	30,0			
	37	1423	1,2	39,68	14,5	18,0	24,6	30,0			
	32	1632	1,0	45,53	14,7	18,0	23,9	30,0			
	29	1804	0,9	50,32	14,2	18,0	23,2	30,0			
	26	1984	0,9	55,35	12,8	17,8	22,4	30,0			
	586	89,6	6,7	2,50	6,8	8,1	9,0	14,0	SK 971.1 - 132 SP/4	106,6	B86
	512	103	5,8	2,86	7,0	8,6	9,0	14,0			
	443	119	5,1	3,31	7,4	9,0	9,0	14,0			
	400	131	4,6	3,67	7,6	9,4	9,0	14,0			
	363	145	4,1	4,04	7,8	9,8	9,0	14,0			
	332	158	3,8	4,42	8,0	10,1	9,0	14,0			
	291	181	3,0	5,04	8,4	10,7	9,0	14,0			
	266	197	2,4	5,50	8,6	11,1	9,0	14,0			
	247	213	2,8	5,94	8,8	11,3	9,0	14,0			
	215	244	2,2	6,82	9,0	11,6	9,0	14,0			
	93	568	4,8	15,84	22,0	22,0	31,5	40,0	SK 972.1 - 132 SP/4	160,5	B104
	83	633	4,4	17,65	22,7	22,0	31,5	40,0			
	74	707	4,0	19,72	23,4	22,0	31,5	40,0			
	67	788	3,6	21,99	24,2	22,0	31,4	40,0			
	63	831	2,8	23,19	24,4	22,0	31,4	40,0			
	53	991	2,6	27,66	25,4	22,0	31,3	40,0			
	48	1086	2,6	30,29	25,8	22,0	31,2	40,0			
	44	1196	2,4	33,36	26,2	22,0	31,2	40,0			
	39	1333	2,2	37,19	26,6	22,0	31,1	40,0			
	34	1533	1,9	42,76	26,3	22,0	30,9	40,0			
	65	804	3,5	22,42	24,3	22,0	31,4	40,0	SK 973.1 - 132 SP/4	162,5	B105
	57	914	3,3	25,51	25,2	22,0	31,3	40,0			
	54	976	3,1	27,22	25,5	22,0	31,3	40,0			
	47	1110	2,8	30,97	25,9	22,0	31,2	40,0			
	46	1145	2,8	31,95	26,0	22,0	31,2	40,0			
	42	1262	2,5	35,19	26,3	22,0	31,1	40,0			



P_1 [kW]	n_2 [r/min]	M_2 [Nm]	f_B	i_{total}	F_R [kN]	F_A	$F_{R VL}$ [kN]	$F_{A VL}$ [kN]	Type	kg	mm B			
5,50	39	1339	2,4	37,36	26,3	22,0	31,0	40,0	SK 973.1 - 132 SP/4	162,5	B105			
	34	1524	2,1	42,51	26,3	22,0	30,9	40,0						
	31	1706	1,9	47,60	26,0	22,0	30,7	40,0						
	28	1876	1,7	52,32	25,7	22,0	30,6	40,0						
	26	1995	1,6	55,66	25,4	22,0	30,5	40,0						
	24	2148	1,5	59,91	25,1	22,0	30,3	40,0						
	22	2366	1,4	65,98	24,7	22,0	30,1	40,0						
	21	2456	1,3	68,50	24,5	22,0	30,0	40,0						
	19	2705	1,2	75,44	24,0	22,0	29,7	40,0						
	19	2766	1,2	77,16	23,8	22,0	29,6	40,0						
	17	3091	1,1	86,22	23,0	22,0	29,2	40,0						
	15	3404	1,0	94,96	22,2	22,0	28,7	40,0						
14	3773	0,8	105,23	19,0	22,0	28,1	40,0							
7,50	481	149	6,7	3,04	7,3	11,3	10,0	15,0	SK 1071.1 - 132 MP/4	165	B88			
	423	169	5,9	3,45	7,6	11,8	10,0	15,0						
	369	194	5,1	3,96	7,9	12,4	10,0	15,0						
	331	217	4,6	4,42	8,2	12,9	10,0	15,0						
	306	234	3,8	4,77	8,4	13,2	10,0	15,0						
	276	260	3,4	5,29	8,6	13,8	10,0	15,0						
	225	319	2,2	6,50	9,1	14,8	10,0	15,0						
	180	397	1,8	8,09	9,6	15,0	10,0	15,0						
	1116	64,1	2,0	1,31	2,2	3,0	5,0	8,0				SK 571.1 - 132 MP/4	69,5	B82
	863	83	1,9	1,69	2,3	3,2	5,0	8,0						
	654	109	1,5	2,23	2,5	3,4	5,0	8,0						
	584	123	1,3	2,50	2,5	3,4	5,0	8,0						
499	143	1,2	2,92	3,4	12,5	7,4	12,5	SK 572.1 - 132 MP/4	76,5	B94				
499	143	1,2	2,92	3,7	12,5	7,4	12,5							
447	160	1,2	3,27	3,4	13,1	7,6	13,1							
447	160	1,2	3,27	3,6	13,1	7,6	13,1							
381	188	1,2	3,83	3,2	14,1	7,9	14,1							
381	188	1,2	3,83	3,5	14,1	7,9	14,1							
346	207	1,1	4,22	3,2	14,6	8,2	14,6							
346	207	1,1	4,22	3,4	14,6	8,2	14,6							
312	230	1,1	4,69	3,0	15,0	8,2	15,0							
312	230	1,1	4,69	3,3	15,0	8,2	15,0							
279	257	1,1	5,23	2,9	15,0	8,2	15,0							
279	257	1,1	5,23	3,1	15,0	8,2	15,0							
248	289	1,0	5,88	2,6	15,0	8,1	15,0							
248	289	1,0	5,88	2,9	15,0	8,1	15,0							
232	309	1,0	6,30	2,6	15,0	8,2	15,0							
232	309	1,0	6,30	2,8	15,0	8,2	15,0							
195	367	1,0	7,49	2,0	15,0	7,9	15,0							
195	367	1,0	7,49	2,2	15,0	7,9	15,0							
179	400	0,9	8,15	1,5	15,0	7,5	15,0							
179	400	0,9	8,15	1,6	15,0	7,5	15,0							
164	438	0,8	8,92	0,6	15,0	6,7	15,0							
164	438	0,8	8,92	0,6	15,0	6,7	15,0							
145	492	0,8	10,04	10,04	15,0	6,3	15,0							
145	492	0,8	10,04	10,04	15,0	6,3	15,0							
549	130	2,1	2,66	9,0	14,7	9,0	14,7	SK 672.1 - 132 MP/4	82	B98				
511	140	2,1	2,86	9,2	15,2	9,2	15,2							
475	151	2,1	3,07	9,4	15,7	9,4	15,7							

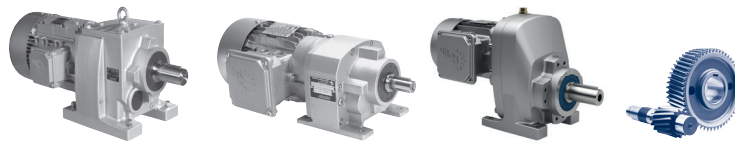
NORDBLOC.1
Helical gear unit

7,50 kW



NORDBLOC.1
Helical gear unit

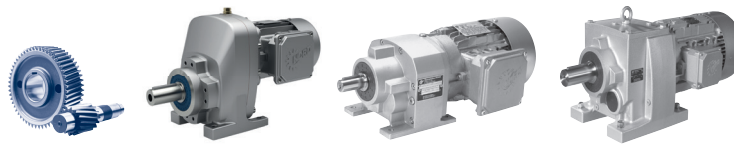
P_1 [kW]	n_2 [r/min]	M_2 [Nm]	f_B	i_{total}	F_R [kN]	F_A	$F_{R VL}$ [kN]	$F_{A VL}$ [kN]	Type	kg	mm
7,50	441	162	2,1	3,31	9,6	16,3	9,6	16,3	SK 672.1 - 132 MP/4	82	B98
	408	176	2,1	3,58	9,9	16,9	9,9	16,9			
	376	190	2,1	3,88	10,1	17,6	10,1	17,6			
	346	207	2,0	4,22	10,3	18,0	10,3	18,0			
	317	226	2,0	4,61	10,6	18,5	10,6	18,5			
	288	248	1,9	5,06	10,7	19,0	10,9	19,0			
	261	274	1,8	5,59	10,6	19,5	11,2	19,5			
	239	300	1,7	6,12	10,5	19,9	11,5	19,9			
	216	331	1,6	6,75	10,4	20,0	11,8	20,0			
	190	377	1,4	7,68	10,2	20,0	12,2	20,0			
	172	416	1,3	8,48	10,0	20,0	12,5	20,0			
	169	425	1,2	8,66	10,0	20,0	12,5	20,0			
	158	454	1,2	9,25	9,8	20,0	12,8	20,0			
	141	508	1,1	10,37	9,4	20,0	13,1	20,0			
	128	558	1,0	11,38	9,1	20,0	13,4	20,0			
	116	616	0,9	12,56	8,6	20,0	13,5	20,0			
	107	672	0,9	13,70	8,0	20,0	13,1	20,0			
95	753	0,8	15,35	6,0	20,0	12,7	20,0				
1168	61,3	3,1	1,25	2,6	3,9	7,5	10,8	SK 771.1 - 132 MP/4	73,8	B83	
951	75,3	2,9	1,54	2,8	4,2	7,5	11,4				
678	106	2,6	2,15	3,0	4,7	7,5	12,0				
550	130	2,4	2,65	3,2	4,9	7,5	12,0				
431	166	1,6	3,38	3,4	5,1	7,5	12,0				
389	184	1,4	3,75	3,4	5,2	7,5	12,0				
467	153	3,2	3,12	4,3	5,4	8,5	10,3	SK 772.1 - 132 MP/4	94	B100	
406	176	2,8	3,59	4,4	5,3	8,5	10,3				
380	188	2,8	3,84	4,5	5,6	8,8	10,7				
331	217	2,5	4,42	4,6	5,4	8,8	10,6				
310	231	2,4	4,71	4,7	5,7	9,0	10,9				
271	264	2,2	5,38	4,8	5,9	9,4	11,4				
236	304	1,9	6,19	4,9	5,5	9,2	11,1				
220	325	1,8	6,63	5,0	6,0	9,7	11,7				
191	374	1,7	7,63	5,0	5,4	9,4	11,3				
180	398	1,6	8,12	5,1	5,7	9,6	11,6				
163	440	1,5	8,97	5,2	5,7	9,7	11,7				
146	491	1,4	10,00	4,9	5,5	9,6	11,7				
138	520	1,3	10,60	5,0	5,6	9,8	11,9				
132	542	1,3	11,06	4,7	5,4	9,7	11,8				
125	572	1,2	11,67	4,8	5,5	9,9	11,9				
112	641	1,1	13,07	4,3	5,1	9,8	11,8				
102	705	1,0	14,38	4,0	4,9	9,8	11,8				
93	766	1,0	15,62	3,3	4,2	9,5	11,5				
88	817	0,9	16,66	3,1	4,1	9,5	11,5				
79	906	0,9	18,46	2,4	3,5	9,3	11,3				
72	996	0,8	20,31	1,9	3,0	9,2	11,2				
1033	69,4	4,0	1,41	4,3	4,8	8,0	12,5	SK 871.1 - 132 MP/4	99,2	B84	
973	73,6	3,8	1,50	4,3	4,9	8,0	12,5				
894	80,1	4,0	1,63	4,5	5,0	8,0	12,5				
802	89,3	3,6	1,82	4,6	5,2	8,0	12,5				
683	105	3,4	2,14	4,8	5,5	8,0	12,5				
584	123	3,3	2,50	5,1	5,7	8,0	12,5				
475	151	2,7	3,08	5,4	6,1	8,0	12,5				
427	168	2,4	3,42	5,5	6,2	8,0	12,5				
376	191	1,9	3,88	5,7	6,4	8,0	12,5				
340	211	1,7	4,29	5,8	6,6	8,0	12,5				
316	227	1,6	4,63	6,0	6,6	8,0	12,5				
277	259	1,4	5,27	6,2	6,7	8,0	12,5				



P_1 [kW]	n_2 [r/min]	M_2 [Nm]	f_B	i_{total}	F_R [kN]	F_A	$F_{R VL}$ [kN]	$F_{A VL}$	Type	kg	mm B
7,50	363	198	4,6	4,03	8,2	12,1	15,1	21,0	SK 872.1 - 132 MP/4	128,5	B102
	312	229	4,8	4,68	8,5	12,8	15,7	21,8			
	265	270	4,3	5,50	8,9	13,8	16,5	22,7			
	258	277	4,1	5,66	9,0	13,7	16,5	22,7			
	222	322	3,8	6,57	9,3	14,4	17,2	23,6			
	189	379	3,4	7,73	9,8	14,9	18,0	24,5			
	165	435	3,1	8,87	10,1	15,1	18,6	25,1			
	158	453	3,0	9,24	10,2	15,5	18,9	25,6			
	140	512	2,7	10,44	10,5	15,6	19,4	26,1			
	130	551	2,5	11,24	10,7	16,0	19,8	26,6			
	117	612	2,4	12,48	11,0	16,1	20,3	27,1			
	106	677	2,2	13,79	11,2	16,3	20,8	27,6			
	96	745	2,0	15,18	11,5	16,5	21,3	28,1			
	86	832	1,9	16,96	11,7	16,5	21,9	28,5			
	78	916	1,7	18,67	11,9	16,7	22,4	28,9			
	63	1129	1,4	23,02	12,3	16,4	23,4	29,5			
	57	1248	1,3	25,44	12,4	16,3	23,7	29,8			
	52	1374	1,2	28,00	12,6	16,3	24,1	30,0			
50	1426	1,1	29,08	12,6	16,0	24,1	30,0				
46	1570	1,0	32,00	12,8	15,9	24,1	30,0				
	75	949	1,7	19,34	11,9	16,5	22,5	28,9	SK 873.1 - 132 MP/4	130,5	B103
	68	1049	1,5	21,38	12,1	16,5	23,0	29,3			
	62	1152	1,4	23,49	12,3	16,4	23,5	29,5			
	56	1274	1,3	25,69	12,5	16,3	23,8	29,8			
	53	1352	1,2	27,57	12,5	16,1	23,9	29,9			
	48	1495	1,1	30,47	12,7	15,8	24,1	30,0			
	45	1582	1,1	32,24	12,7	15,6	24,1	30,0			
	41	1748	1,0	35,63	12,8	15,2	23,4	30,0			
37	1946	0,9	39,68	12,8	14,5	22,6	29,9				
	802	89,3	6,0	1,82	6,0	6,8	9,0	14,0	SK 971.1 - 132 MP/4	113,6	B86
	708	101	5,3	2,06	6,3	7,1	9,0	14,0			
	584	123	4,9	2,50	6,7	7,6	9,0	14,0			
	510	140	4,3	2,86	6,9	8,0	9,0	14,0			
	441	162	3,7	3,31	7,2	8,4	9,0	14,0			
	398	180	3,3	3,67	7,5	8,7	9,0	14,0			
	362	198	3,0	4,04	7,7	9,0	9,0	14,0			
	331	217	2,8	4,42	7,9	9,2	9,0	14,0			
	290	247	2,2	5,04	8,2	9,6	9,0	14,0			
	265	270	1,8	5,50	8,4	9,9	9,0	14,0			
	246	291	2,1	5,94	8,6	10,1	9,0	14,0			
	214	334	1,6	6,82	8,9	10,5	9,0	14,0			
	141	508	4,9	10,35	19,1	20,6	31,6	36,4	SK 972.1 - 132 MP/4	167,5	B104
	127	566	4,5	11,54	19,7	21,1	31,5	37,5			
	114	631	4,1	12,86	20,3	21,4	31,5	38,3			
	108	665	3,9	13,56	20,6	21,8	31,5	38,9			
	103	695	3,8	14,16	20,9	21,9	31,5	39,2			
	92	777	3,5	15,84	21,5	22,0	31,4	40,0			
	83	866	3,2	17,65	22,2	22,0	31,4	40,0			
	74	968	2,9	19,72	22,3	22,0	31,3	40,0			
	66	1079	2,6	21,99	22,7	22,0	31,2	40,0			
	63	1137	2,0	23,19	22,1	22,0	31,2	40,0			
	53	1357	1,9	27,66	22,5	22,0	31,0	40,0			
	48	1486	1,9	30,29	22,6	22,0	30,9	40,0			
	44	1636	1,8	33,36	22,7	22,0	30,8	40,0			
	39	1824	1,6	37,19	22,9	22,0	30,6	40,0			
	34	2097	1,4	42,76	22,5	22,0	30,4	40,0			

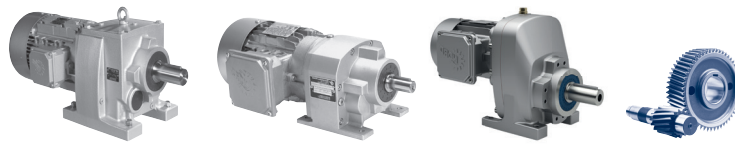
NORDBLOC.1
Helical gear unit


7,50 kW
9,20 kW



NORDBLOC.1
Helical gear unit

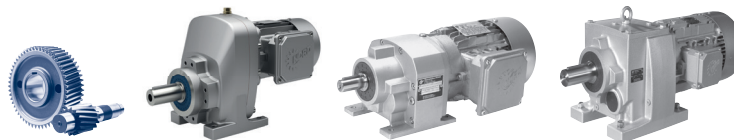
P_1 [kW]	n_2 [r/min]	M_2 [Nm]	f_B	i_{total}	F_R [kN]	F_A	$F_{R VL}$ [kN]	$F_{A VL}$ [kN]	Type	kg	mm B				
7,50	65	1100	2,5	22,42	22,4	22,0	31,2	40,0	SK 973.1 - 132 MP/4	169,5	B105				
	57	1251	2,4	25,51	22,6	22,0	31,1	40,0							
	54	1335	2,2	27,22	22,6	22,0	31,0	40,0							
	47	1519	2,0	30,97	22,6	22,0	30,9	40,0							
	46	1567	2,0	31,95	22,6	22,0	30,9	40,0							
	41	1726	1,9	35,19	22,6	22,0	30,7	40,0							
	39	1833	1,7	37,36	22,3	22,0	30,6	40,0							
	34	2085	1,5	42,51	21,9	22,0	30,4	40,0							
	31	2335	1,4	47,60	21,4	22,0	30,1	40,0							
	28	2567	1,2	52,32	20,8	22,0	29,8	40,0							
	26	2730	1,2	55,66	20,3	22,0	29,6	40,0							
	24	2939	1,1	59,91	19,7	22,0	29,4	40,0							
	22	3237	1,0	65,98	19,0	21,9	29,0	40,0							
	21	3360	1,0	68,50	18,2	21,2	28,8	40,0							
	19	3701	0,9	75,44	17,4	20,6	28,3	40,0							
	19	3785	0,9	77,16	17,0	20,4	28,1	40,0							
9,20	927	94,8	6,6	1,59	6,0	8,7	10,0	15,0	SK 1071.1 - 160 SP/4	196	B88				
	827	106	6,7	1,78	6,3	9,1	10,0	15,0							
	786	112	6,3	1,87	6,4	9,2	10,0	15,0							
	675	130	6,1	2,18	6,7	9,8	10,0	15,0							
	581	151	5,9	2,53	7,0	10,3	10,0	15,0							
	484	181	5,5	3,04	7,4	11,0	10,0	15,0							
	426	206	4,9	3,45	7,6	11,5	10,0	15,0							
	371	237	4,2	3,96	8,0	12,1	10,0	15,0							
	333	264	3,8	4,42	8,2	12,5	10,0	15,0							
	308	285	3,1	4,77	8,4	12,8	10,0	15,0							
	182	484	1,5	8,09	9,7	15,0	10,0	15,0							
		470	187	2,6	3,12	4,1	4,9	8,2				10,0	SK 772.1 - 160 SP/4	125	B100
		409	215	2,3	3,59	4,2	4,7	8,1				9,9			
		383	229	2,3	3,84	4,3	5,1	8,5				10,3			
		333	264	2,0	4,42	4,4	4,7	8,4				10,1			
		312	282	2,0	4,71	4,5	4,9	8,5				10,4			
273		322	1,8	5,38	4,6	5,1	9,0	10,8							
237		370	1,6	6,19	4,5	4,5	8,6	10,4							
222		397	1,5	6,63	4,5	5,0	9,2	11,1							
193		456	1,4	7,63	4,0	4,1	8,6	10,5							
181		485	1,3	8,12	4,2	4,4	8,8	10,7							
164		536	1,2	8,97	4,0	4,3	8,9	10,8							
147		598	1,1	10,00	3,5	3,8	8,8	10,6							
139		634	1,1	10,60	3,5	4,0	8,9	10,8							
133		661	1,0	11,06	3,2	3,6	8,8	10,6							
126		697	1,0	11,67	3,2	3,7	8,9	10,8							
113		781	0,9	13,07	2,5	3,1	8,7	10,5							
102	859	0,8	14,38	2,0	2,7	8,6	10,4								
	1040	84,5	3,3	1,41	4,2	4,4	8,0	12,5	SK 871.1 - 160 SP/4	130,2	B84				
	980	89,6	3,1	1,50	4,3	4,5	8,0	12,5							
	900	97,6	3,3	1,63	4,4	4,6	8,0	12,5							
	807	109	2,9	1,82	4,5	4,8	8,0	12,5							
	688	128	2,8	2,14	4,7	5,0	8,0	12,5							
	588	149	2,7	2,50	4,9	5,2	8,0	12,5							
	478	184	2,2	3,08	5,2	5,4	8,0	12,5							
	318	276	1,3	4,63	5,6	5,7	8,0	12,5							



P_1 [kW]	n_2 [r/min]	M_2 [Nm]	f_B	i_{total}	F_R [kN]	F_A	$F_{R VL}$ [kN]	$F_{A VL}$	Type	kg	mm 
9,20	462	190	4,4	3,18	7,5	10,6	14,0	19,4	SK 872.1 - 160 SP/4	159,5	B102
	398	221	4,0	3,69	7,8	11,3	14,6	20,2			
	365	241	3,7	4,03	8,0	11,5	14,9	20,6			
	314	279	3,9	4,68	8,4	12,2	15,6	21,3			
	267	329	3,5	5,50	8,7	13,0	16,3	22,2			
	260	338	3,4	5,66	8,7	12,8	16,3	22,2			
	224	393	3,1	6,57	9,1	13,6	17,0	23,0			
	190	462	2,8	7,73	9,5	14,1	17,7	23,8			
	166	530	2,5	8,87	9,7	14,2	18,3	24,3			
	159	552	2,5	9,24	9,9	14,6	18,6	24,7			
	141	624	2,2	10,44	10,1	14,6	19,1	25,1			
	131	672	2,1	11,24	10,3	14,9	19,5	25,7			
	118	746	2,0	12,48	10,5	14,9	19,9	26,0			
	107	824	1,8	13,79	10,7	15,0	20,4	26,4			
	97	907	1,6	15,18	10,9	15,1	20,8	26,8			
	87	1014	1,5	16,96	11,1	14,9	21,5	27,0			
	79	1116	1,4	18,67	11,3	14,9	21,8	27,3			
	64	1376	1,1	23,02	11,5	14,2	22,1	27,5			
	58	1521	1,1	25,44	11,5	13,9	22,3	27,6			
	53	1673	1,0	28,00	11,7	13,6	22,5	27,7			
	76	1156	1,4	19,34	11,3	14,7	21,8	27,2	SK 873.1 - 160 SP/4	161,5	B103
	69	1278	1,3	21,38	11,4	14,5	22,0	27,5			
	63	1404	1,2	23,49	11,5	14,1	22,1	27,5			
	57	1552	1,1	25,69	11,6	13,8	22,3	27,6			
	53	1648	1,0	27,57	11,6	13,4	22,3	27,5			
	48	1821	0,9	30,47	11,6	12,9	22,3	27,4			
	46	1927	0,9	32,24	11,2	12,4	22,2	27,3			
	1184	74,2	5,7	1,24	5,3	5,6	9,0	14,0	SK 971.1 - 160 SP/4	144,6	B86
	1018	86,3	4,9	1,44	5,6	6,0	9,0	14,0			
	970	90,6	5,3	1,52	5,6	6,0	9,0	14,0			
	898	97,8	4,9	1,64	5,8	6,2	9,0	14,0			
	807	109	5,0	1,82	6,0	6,5	9,0	14,0			
	713	123	4,4	2,06	6,2	6,7	9,0	14,0			
	588	149	4,0	2,50	6,6	7,2	9,0	14,0			
	514	171	3,5	2,86	6,8	7,5	9,0	14,0			
	444	198	3,0	3,31	7,1	7,8	9,0	14,0			
	401	219	2,7	3,67	7,3	8,0	9,0	14,0			
	364	241	2,5	4,04	7,5	8,3	9,0	14,0			
	248	355	1,7	5,94	8,4	9,1	9,0	14,0			
	174	505	4,7	8,45	17,7	18,7	31,3	33,9			
	156	562	4,4	9,40	18,2	19,3	31,5	34,9			
	142	618	4,0	10,35	18,8	19,7	31,5	35,7			
	127	689	3,7	11,54	19,4	20,2	31,5	36,7			
	114	768	3,4	12,86	19,8	20,4	31,4	37,4			
	108	810	3,2	13,56	20,1	20,8	31,4	38,0			
	104	846	3,2	14,16	20,1	20,8	31,4	38,2			
	93	946	2,9	15,84	20,3	21,1	31,3	39,1			
	83	1055	2,7	17,65	20,6	21,5	31,3	40,0			
	75	1179	2,4	19,72	20,5	21,5	31,2	40,0			
	67	1314	2,1	21,99	20,8	21,9	31,1	40,0			
	63	1386	1,7	23,19	19,9	21,1	31,0	40,0			
	53	1653	1,6	27,66	20,0	21,4	30,8	40,0			
	49	1810	1,5	30,29	19,9	21,5	30,6	40,0			
	44	1994	1,5	33,36	19,8	21,5	30,5	40,0			
	40	2222	1,3	37,19	19,7	21,6	30,2	40,0			

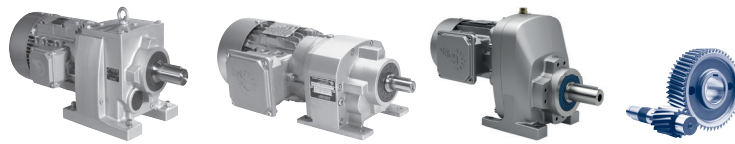
NORDBLOC.1
Helical gear unit

9,20 kW
11,0 kW



NORDBLOC.1
Helical gear unit

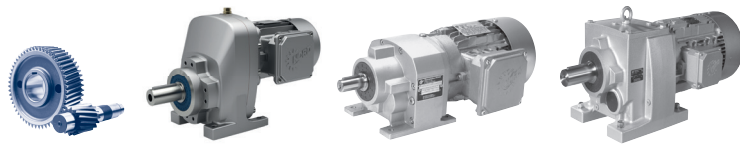
P_1 [kW]	n_2 [r/min]	M_2 [Nm]	f_B	i_{total}	F_R [kN]	F_A	$F_{R VL}$ [kN]	$F_{A VL}$	Type	kg	mm B				
9,20	66	1340	2,1	22,42	20,4	21,5	31,0	40,0	SK 973.1 - 160 SP/4	200,5	B105				
	58	1524	2,0	25,51	20,3	21,6	30,9	40,0							
	54	1627	1,8	27,22	20,2	21,6	30,8	40,0							
	47	1851	1,7	30,97	19,8	21,4	30,6	40,0							
	46	1910	1,7	31,95	19,7	21,4	30,5	40,0							
	42	2103	1,5	35,19	19,5	21,3	30,4	40,0							
	39	2233	1,4	37,36	19,0	20,9	30,2	40,0							
	35	2541	1,3	42,51	18,1	20,3	29,9	40,0							
	31	2845	1,1	47,60	17,1	19,6	29,5	40,0							
	28	3127	1,0	52,32	16,1	18,9	29,1	40,0							
	26	3326	1,0	55,66	15,4	18,3	28,8	40,0							
	25	3580	0,9	59,91	14,3	17,5	28,4	40,0							
	22	3943	0,8	65,98	13,3	16,8	27,8	40,0							
	21	4094	0,8	68,50	12,1	15,8	27,6	40,0							
11,0	1032	102	6,2	1,42	5,8	8,0	10,0	15,0	SK 1071.1 - 160 MP/4	196	B88				
	924	114	5,5	1,59	6,0	8,4	10,0	15,0							
	824	127	5,6	1,78	6,2	8,8	10,0	15,0							
	783	134	5,3	1,87	6,3	8,9	10,0	15,0							
	672	156	5,1	2,18	6,6	9,4	10,0	15,0							
	579	181	4,9	2,53	6,9	9,9	10,0	15,0							
	483	218	4,6	3,04	7,3	10,5	10,0	15,0							
	425	247	4,0	3,45	7,5	11,0	10,0	15,0							
	370	284	3,5	3,96	7,8	11,5	10,0	15,0							
	332	317	3,2	4,42	8,1	11,9	10,0	15,0							
	307	342	2,6	4,77	8,2	12,1	10,0	15,0							
	181	580	1,2	8,09	9,4	13,9	10,0	15,0							
		469	224	2,2	3,12	4,0	4,5	8,0				9,6	SK 772.1 - 160 MP/4	125	B100
		408	258	1,9	3,59	4,0	4,1	7,8				9,4			
	382	275	1,9	3,84	4,2	4,5	8,2	9,9							
	332	317	1,7	4,42	4,2	4,0	7,9	9,6							
	311	338	1,7	4,71	4,3	4,2	8,1	9,8							
	272	386	1,5	5,38	4,0	4,3	8,5	10,3							
	237	444	1,3	6,19	3,5	3,5	8,0	9,7							
	221	476	1,3	6,63	3,4	4,0	8,6	10,4							
	192	547	1,1	7,63	2,8	2,9	7,9	9,6							
	180	582	1,1	8,12	2,9	3,1	8,1	9,8							
	163	643	1,0	8,97	2,6	2,9	8,1	9,8							
	146	717	0,9	10,00	1,9	2,2	7,8	9,5							
	138	760	0,9	10,60	1,9	2,3	7,9	9,6							
	132	793	0,9	11,06	1,5	1,9	7,7	9,4							
	126	837	0,8	11,67	1,5	2,0	7,8	9,5							
	1036	101	2,8	1,41	4,1	4,0	8,0	12,5	SK 871.1 - 160 MP/4	130,2	B84				
	977	108	2,6	1,50	4,2	4,1	8,0	12,5							
	897	117	2,7	1,63	4,3	4,2	8,0	12,5							
	804	131	2,5	1,82	4,4	4,3	8,0	12,5							
	685	153	2,3	2,14	4,6	4,5	8,0	12,5							
	586	179	2,2	2,50	4,8	4,6	8,0	12,5							
	476	221	1,8	3,08	5,1	4,8	8,0	12,5							
	317	332	1,1	4,63	4,4	4,7	8,0	12,5							
	461	228	3,7	3,18	7,4	10,2	13,9	19,1	SK 872.1 - 160 MP/4	159,5	B102				
	396	265	3,3	3,69	7,7	10,8	14,5	19,9							
	364	289	3,1	4,03	7,9	11,0	14,8	20,2							
	313	335	3,3	4,68	8,2	11,6	15,4	20,9							



P_1 [kW]	n_2 [r/min]	M_2 [Nm]	f_B	i_{total}	F_R [kN]	F_A	$F_{R VL}$ [kN]	$F_{A VL}$ [kN]	Type	kg	mm B
11,0	266	394	2,9	5,50	8,5	12,2	16,1	21,7	SK 872.1 - 160 MP/4	159,5	B102
	259	406	2,8	5,66	8,5	12,0	16,1	21,6			
	223	471	2,6	6,57	8,8	12,6	16,8	22,3			
	190	554	2,3	7,73	9,2	13,3	17,5	23,1			
	165	636	2,1	8,87	9,4	13,2	18,0	23,4			
	159	662	2,1	9,24	9,6	13,6	18,3	23,9			
	140	748	1,9	10,44	9,7	13,4	18,7	24,1			
	130	806	1,7	11,24	9,9	13,8	19,1	24,7			
	117	895	1,6	12,48	10,1	13,6	19,5	24,8			
	106	989	1,5	13,79	10,2	13,5	20,0	25,1			
	97	1088	1,4	15,18	10,4	13,5	20,3	25,4			
	86	1216	1,3	16,96	10,5	13,1	20,4	25,5			
	78	1338	1,2	18,67	10,6	13,0	20,7	25,7			
	64	1651	0,9	23,02	10,6	11,8	20,6	25,4			
58	1824	0,9	25,44	10,0	11,2	20,5	25,3				
	76	1387	1,2	19,34	10,5	12,6	20,6	25,5	SK 873.1 - 160 MP/4	161,5	B103
	69	1533	1,0	21,38	10,6	12,2	20,7	25,5			
	62	1684	1,0	23,49	10,6	11,7	20,6	25,4			
	56	1861	0,9	25,69	9,8	11,1	20,5	25,2			
	53	1977	0,8	27,57	9,1	10,5	20,3	25,0			
	1180	89	4,7	1,24	5,3	5,3	9,0	14,0	SK 971.1 - 160 MP/4	144,6	B86
	1014	104	4,1	1,44	5,5	5,7	9,0	14,0			
	966	109	4,4	1,52	5,6	5,7	9,0	14,0			
	895	117	4,1	1,64	5,7	5,9	9,0	14,0			
	804	131	4,1	1,82	5,9	6,1	9,0	14,0			
	710	148	3,7	2,06	6,1	6,3	9,0	14,0			
	586	179	3,3	2,50	6,5	6,7	9,0	14,0			
	512	205	2,9	2,86	6,7	7,0	9,0	14,0			
	443	237	2,5	3,31	7,0	7,2	9,0	14,0			
	400	263	2,3	3,67	7,2	7,4	9,0	14,0			
	363	290	2,1	4,04	7,4	7,6	9,0	14,0			
	247	426	1,4	5,94	8,2	8,0	9,0	14,0			
	237	442	4,7	6,17	15,9	16,6	28,4	30,8	SK 972.1 - 160 MP/4	198,5	B104
	219	479	4,7	6,68	16,4	17,4	29,3	31,7			
	204	516	4,4	7,19	16,7	17,5	29,6	32,1			
	173	606	3,9	8,45	17,4	18,0	30,7	33,3			
	156	674	3,7	9,40	18,0	18,5	31,5	34,2			
	142	742	3,3	10,35	18,3	18,9	31,4	35,0			
	127	827	3,0	11,54	18,6	19,3	31,4	35,9			
	114	922	2,8	12,86	18,5	19,3	31,3	36,5			
	108	972	2,7	13,56	18,9	19,7	31,3	37,1			
	103	1015	2,6	14,16	18,8	19,6	31,3	37,2			
	93	1135	2,4	15,84	18,8	19,8	31,2	38,0			
	83	1266	2,2	17,65	19,0	20,1	31,1	38,9			
	74	1414	2,0	19,72	18,7	19,9	31,0	39,4			
	67	1576	1,8	21,99	18,8	20,1	30,9	40,0			
	63	1663	1,4	23,19	17,6	19,1	30,8	39,7			
	53	1983	1,3	27,66	17,3	19,0	30,5	40,0			
	48	2172	1,3	30,29	17,0	18,9	30,3	40,0			
	44	2392	1,2	33,36	16,6	18,7	30,0	40,0			
	39	2666	1,1	37,19	16,2	18,5	29,7	40,0			

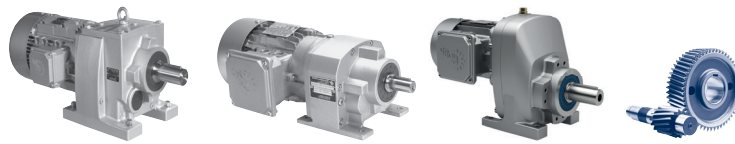
NORDBLOC.1
Helical gear unit

11,0 kW
15,0 kW



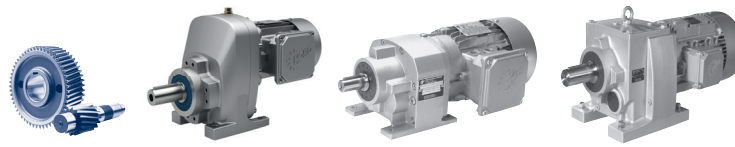
NORDBLOC.1
Helical gear unit

P_1 [kW]	n_2 [r/min]	M_2 [Nm]	f_B	i_{total}	F_R [kN]	F_A	$F_{R VL}$ [kN]	$F_{A VL}$ [kN]	Type	kg	mm B			
11,0	65	1607	1,7	22,42	18,3	19,7	30,8	39,9	SK 973.1 - 160 MP/4	200,5	B105			
	57	1829	1,6	25,51	17,9	19,4	30,6	40,0						
	54	1952	1,5	27,22	17,6	19,3	30,5	40,0						
	47	2221	1,4	30,97	16,9	18,8	30,2	40,0						
	46	2291	1,4	31,95	16,7	18,7	30,1	40,0						
	42	2523	1,3	35,19	16,2	18,4	29,9	40,0						
	39	2679	1,2	37,36	15,4	17,7	29,7	40,0						
	34	3048	1,0	42,51	14,0	16,7	29,2	40,0						
	31	3413	0,9	47,60	12,5	15,6	28,7	40,0						
	28	3751	0,9	52,32	11,1	14,4	28,2	40,0						
26	3991	0,8	55,66	10,0	13,6	27,8	40,0							
15,0	1032	139	4,5	1,42	5,7	7,4	10,0	15,0	SK 1071.1 - 160 LP/4	225	B88			
	924	155	4,1	1,59	5,9	7,7	10,0	15,0						
	824	174	4,1	1,78	6,1	8,1	10,0	15,0						
	783	183	3,9	1,87	6,2	8,2	10,0	15,0						
	672	213	3,7	2,18	6,4	8,6	10,0	15,0						
	579	247	3,6	2,53	6,7	9,1	10,0	15,0						
	483	297	3,4	3,04	7,1	9,5	10,0	15,0						
	425	337	3,0	3,45	7,3	9,9	10,0	15,0						
	370	387	2,6	3,96	7,6	10,2	10,0	15,0						
	332	432	2,3	4,42	7,8	10,5	10,0	15,0						
	307	466	1,9	4,77	7,9	10,6	10,0	15,0						
	181	791	0,9	8,09	8,9	11,3	10,0	15,0						
	469	306	1,6	3,12	3,5	3,6	7,4	8,9				SK 772.1 - 160 LP/4	154	B100
	408	351	1,4	3,59	3,2	2,9	7,0	8,5						
382	375	1,4	3,84	3,1	3,4	7,5	9,1							
332	432	1,3	4,42	2,6	2,5	7,0	8,4							
311	461	1,2	4,71	2,8	2,6	7,1	8,6							
272	526	1,1	5,38	2,0	2,7	7,5	9,1							
237	605	1,0	6,19	1,2	1,4	6,6	8,0							
221	649	0,9	6,63	1,0	2,0	7,4	8,9							
192	746	0,8	7,63			6,2	7,5							
180	794	0,8	8,12	0,1	0,5	6,4	7,8							
1036	138	2,0	1,41	3,8	3,1	8,0	12,2	SK 871.1 - 160 LP/4	159,2	B84				
977	147	1,9	1,50	3,8	3,2	8,0	12,4							
897	160	2,0	1,63	3,8	3,2	8,0	12,5							
804	178	1,8	1,82	3,7	3,3	8,0	12,5							
685	209	1,7	2,14	3,6	3,4	8,0	12,5							
586	244	1,6	2,50	3,5	3,5	8,0	12,5							
476	301	1,3	3,08	3,0	3,4	8,0	12,5							
461	311	2,7	3,18	7,1	9,3	13,7	18,4				SK 872.1 - 160 LP/4	188,5	B102	
396	361	2,4	3,69	7,4	9,7	14,2	19,1							
364	394	2,3	4,03	7,5	9,8	14,5	19,3							
313	457	2,4	4,68	7,8	10,2	15,1	19,9							
266	538	2,1	5,50	8,1	10,6	15,7	20,6							
259	553	2,1	5,66	8,0	10,2	15,7	20,4							
223	642	1,9	6,57	8,3	10,5	16,3	20,9							
190	755	1,7	7,73	8,5	10,8	17,1	21,5							
165	868	1,5	8,87	8,6	10,4	17,2	21,5							
159	903	1,5	9,24	8,8	11,1	17,6	22,0							
140	1020	1,4	10,44	8,8	10,6	17,6	22,0							
130	1099	1,3	11,24	9,0	11,0	18,0	22,4							



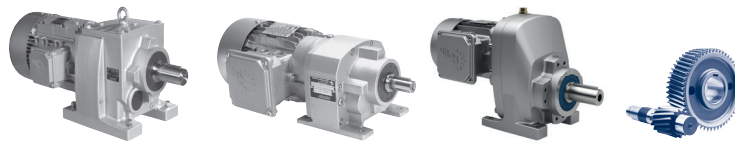
P_1 [kW]	n_2 [r/min]	M_2 [Nm]	f_B	i_{total}	F_R [kN]	F_A	$F_{R VL}$ [kN]	$F_{A VL}$ [kN]	Type	kg	mm B
15,0	117	1220	1,2	12,48	9,0	10,5	18,0	22,3	SK 872.1 - 160 LP/4	188,5	B102
	106	1349	1,1	13,79	9,1	10,2	18,1	22,3			
	97	1484	1,0	15,18	9,1	9,9	18,2	22,4			
	86	1658	0,9	16,96	8,0	9,0	17,9	22,0			
	78	1825	0,8	18,67	7,4	8,5	17,8	22,0			
	76	1891	0,8	19,34	6,6	7,8	17,5	21,6	SK 873.1 - 160 LP/4	190,5	B103
	1180	121	3,5	1,24	5,1	4,6	9,0	14,0	SK 971.1 - 160 LP/4	173,6	B86
	1014	141	3,0	1,44	5,4	5,0	9,0	14,0			
	966	148	3,2	1,52	5,5	5,0	9,0	14,0			
	895	160	3,0	1,64	5,6	5,2	9,0	14,0			
	804	178	3,0	1,82	5,8	5,3	9,0	14,0			
	710	202	2,7	2,06	6,0	5,5	9,0	14,0			
	586	244	2,5	2,50	6,3	5,7	9,0	14,0			
	512	280	2,1	2,86	6,5	5,8	9,0	14,0			
	443	323	1,9	3,31	6,8	6,0	9,0	14,0			
400	359	1,7	3,67	6,9	6,0	9,0	14,0				
363	395	1,5	4,04	7,0	6,1	9,0	14,0				
392	365	5,0	3,74	13,5	12,9	24,5	26,6	SK 972.1 - 160 LP/4	227,5	B104	
321	446	4,5	4,56	14,3	14,0	25,9	28,0				
279	513	3,9	5,25	14,7	14,2	26,5	28,7				
237	603	3,4	6,17	14,9	14,8	27,4	29,7				
219	654	3,4	6,68	15,6	15,9	28,3	30,6				
204	703	3,2	7,19	15,5	15,9	28,5	30,9				
173	827	2,8	8,45	15,6	16,3	29,4	31,9				
156	919	2,7	9,40	16,0	16,8	30,2	32,7				
142	1012	2,5	10,35	16,1	17,0	30,8	33,4				
127	1128	2,2	11,54	16,3	17,2	31,2	34,1				
114	1257	2,1	12,86	15,8	16,9	31,1	34,4				
108	1326	2,0	13,56	16,1	17,2	31,1	35,0				
103	1385	1,9	14,16	15,8	17,0	31,0	35,0				
93	1548	1,8	15,84	15,5	16,8	30,9	35,5				
83	1726	1,6	17,65	15,4	16,9	30,7	36,2				
74	1928	1,5	19,72	14,6	16,2	30,5	36,3				
67	2150	1,3	21,99	14,3	16,2	30,3	36,8				
65	2192	1,3	22,42	13,5	15,5	30,3	36,4	SK 973.1 - 160 LP/4	229,5	B105	
57	2494	1,2	25,51	12,5	14,7	29,9	36,5				
54	2662	1,1	27,22	11,8	14,2	29,7	36,5				
47	3028	1,0	30,97	10,3	13,0	29,2	36,3				
46	3124	1,0	31,95	9,9	12,7	29,1	36,3				
42	3441	0,9	35,19	8,8	11,9	28,7	36,2				
39	3653	0,9	37,36	7,5	10,7	28,3	35,7				
18,5	1043	169	3,7	1,42	5,6	6,8	10,0	15,0	SK 1071.1 - 180 MP/4	258	B88
	933	189	3,3	1,59	5,8	7,1	10,0	15,0			
	833	212	3,3	1,78	5,9	7,4	10,0	15,0			
	791	223	3,2	1,87	6,0	7,5	10,0	15,0			
	762	232	3,1	1,94	6,1	7,7	10,0	15,0			
	679	260	3,0	2,18	6,3	7,9	10,0	15,0			
	585	302	2,9	2,53	6,5	8,3	10,0	15,0			
	488	362	2,8	3,04	6,9	8,7	10,0	15,0			
	429	412	2,4	3,45	7,1	8,9	10,0	15,0			
	374	473	2,1	3,96	7,3	9,1	10,0	15,0			

18,5 kW



NORDBLOC.1
Helical gear unit

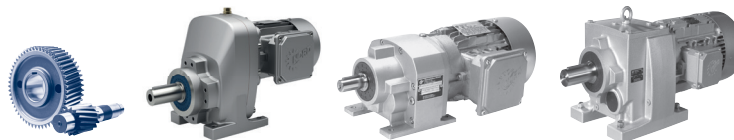
P_1 [kW]	n_2 [r/min]	M_2 [Nm]	f_B	i_{total}	F_R [kN]	F_A	$F_{R VL}$ [kN]	$F_{A VL}$	Type	kg	mm B
18,5	1047	169	1,7	1,41	2,8	2,4	8,0	11,7	SK 871.1 - 180 MP/4	192,2	B84
	987	179	1,6	1,50	2,7	2,4	8,0	11,8			
	906	195	1,6	1,63	2,7	2,4	8,0	12,1			
	813	217	1,5	1,82	2,6	2,4	8,0	12,3			
	692	255	1,4	2,14	2,3	2,4	8,0	12,5			
	592	298	1,3	2,50	2,0	2,3	8,0	12,5			
	465	380	2,2	3,18	6,8	8,5	13,4	17,8	SK 872.1 - 180 MP/4	221,5	B102
	401	441	2,0	3,69	7,1	8,8	13,9	18,4			
	368	481	1,9	4,03	7,2	8,7	14,2	18,5			
	316	558	2,0	4,68	7,4	9,0	14,7	19,0			
	269	657	1,8	5,50	7,7	9,2	15,3	19,5			
	262	675	1,7	5,66	7,6	8,7	15,3	19,2			
	225	784	1,6	6,57	7,8	8,8	15,7	19,7			
	192	922	1,4	7,73	8,0	8,9	16,1	20,1			
	167	1059	1,3	8,87	8,0	8,1	16,0	19,9			
	160	1103	1,3	9,24	8,1	8,8	16,5	20,4			
	142	1246	1,1	10,44	8,1	7,9	16,3	20,1			
	132	1341	1,0	11,24	8,2	8,2	16,6	20,5			
	119	1490	1,0	12,48	7,2	7,3	16,4	20,1			
	107	1646	0,9	13,79	6,4	6,7	16,2	19,9			
	98	1812	0,8	15,18	5,6	6,2	16,1	19,8			
	1192	148	2,8	1,24	5,0	4,1	9,0	14,0	SK 971.1 - 180 MP/4	206,6	B86
	1025	172	2,4	1,44	5,3	4,3	9,0	14,0			
	976	181	2,7	1,52	5,3	4,3	9,0	14,0			
	904	195	2,5	1,64	5,4	4,5	9,0	14,0			
	813	217	2,5	1,82	5,6	4,6	9,0	14,0			
	718	246	2,2	2,06	5,8	4,8	9,0	14,0			
	592	298	2,0	2,50	6,0	4,9	9,0	14,0			
	517	342	1,8	2,86	5,9	4,9	9,0	14,0			
	447	395	1,5	3,31	5,6	4,9	9,0	14,0			
	445	397	4,3	3,33	12,8	11,7	23,3	25,3	SK 972.1 - 180 MP/4	260,5	B104
	396	446	4,1	3,74	13,1	12,1	23,9	25,9			
	325	544	3,7	4,56	13,8	13,0	25,2	27,3			
	282	627	3,2	5,25	13,6	13,0	25,7	27,8			
	240	737	2,8	6,17	13,6	13,3	26,5	28,7			
	221	798	2,8	6,68	14,4	14,4	27,4	29,6			
	206	859	2,6	7,19	14,1	14,2	27,5	29,8			
	175	1009	2,3	8,45	14,0	14,5	28,2	30,6			
	158	1122	2,2	9,40	14,3	15,1	29,0	31,4			
	143	1235	2,0	10,35	14,2	15,3	29,5	31,9			
	128	1377	1,8	11,54	14,3	15,4	30,1	32,6			
	115	1535	1,7	12,86	13,5	14,8	30,1	32,6			
	109	1619	1,6	13,56	13,7	15,1	30,6	33,1			
	105	1690	1,6	14,16	13,3	14,7	30,5	33,0			
	93	1890	1,4	15,84	12,7	14,3	30,6	33,3			
	84	2107	1,3	17,65	12,3	14,2	30,4	33,8			
	75	2354	1,2	19,72	11,1	13,1	30,1	33,6			
	67	2624	1,1	21,99	10,5	12,8	29,8	33,9			
	66	2676	1,0	22,42	9,5	11,9	29,7	33,3	SK 973.1 - 180 MP/4	262,5	B105
	58	3045	1,0	25,51	7,9	10,6	29,2	33,0			
	54	3249	0,9	27,22	6,9	9,8	28,9	32,7			
	48	3697	0,8	30,97	4,7	7,8	28,2	32,1			
	46	3814	0,8	31,95	4,2	7,2	28,1	31,9			



P_1 [kW]	n_2 [r/min]	M_2 [Nm]	f_B	i_{total}	F_R [kN]	F_A	$F_{R VL}$ [kN]	$F_{A VL}$ [kN]	Type	kg	mm B
22,0	1039	202	3,1	1,42	5,5	6,3	10,0	15,0	SK 1071.1 - 180 LP/4	258	B88
	930	226	2,8	1,59	5,7	6,5	10,0	15,0			
	830	253	2,8	1,78	5,8	6,8	10,0	15,0			
	788	266	2,7	1,87	5,9	6,9	10,0	15,0			
	760	276	2,6	1,94	6,0	7,0	10,0	15,0			
	677	310	2,5	2,18	6,1	7,2	10,0	15,0			
	583	361	2,5	2,53	6,4	7,6	10,0	15,0			
	486	432	2,3	3,04	6,7	7,8	10,0	15,0			
	428	491	2,0	3,45	6,9	7,9	10,0	15,0			
	372	564	1,8	3,96	7,1	8,0	10,0	15,0			
1043	201	1,4	1,41	1,7	1,7	8,0	11,2	SK 871.1 - 180 LP/4	192,2	B84	
	983	214	1,3	1,50	1,7	1,7	8,0				11,3
	903	233	1,4	1,63	1,6	1,6	8,0				11,5
	810	259	1,2	1,82	1,3	1,6	8,0				11,7
	690	305	1,2	2,14	1,0	1,5	8,0				12,1
	590	356	1,1	2,50	0,5	1,3	8,0				12,3
464	453	1,9	3,18	6,6	7,8	13,2	17,2	SK 872.1 - 180 LP/4	221,5	B102	
	399	526	1,7	3,69	6,8	8,0	13,7				17,7
	366	573	1,6	4,03	6,9	7,7	14,0				17,7
	315	666	1,7	4,68	7,1	7,9	14,4				18,1
	268	783	1,5	5,50	7,3	7,9	14,8				18,5
	261	806	1,4	5,66	7,1	7,3	14,6				18,1
	225	936	1,3	6,57	7,3	7,2	14,9				18,4
	191	1100	1,2	7,73	7,4	7,0	15,1				18,7
	166	1264	1,1	8,87	6,3	5,9	14,8				18,2
	160	1316	1,0	9,24	6,9	6,6	15,3				18,8
	141	1486	0,9	10,44	5,4	5,4	14,8				18,2
	131	1601	0,9	11,24	5,5	5,6	15,1				18,5
	118	1777	0,8	12,48	4,2	4,4	14,6				17,9
	1188	177	2,4	1,24	4,9	3,5	9,0				14,0
1021		206	2,0	1,44	5,2	3,7	9,0	14,0			
973		216	2,2	1,52	5,1	3,7	9,0	14,0			
901		233	2,1	1,64	5,1	3,8	9,0	14,0			
810		259	2,1	1,82	5,1	3,9	9,0	14,0			
715		294	1,8	2,06	4,9	3,9	9,0	14,0			
590		356	1,7	2,50	4,7	4,0	9,0	14,0			
515		408	1,5	2,86	4,4	4,0	9,0	14,0			
446		471	1,3	3,31	3,9	3,9	9,0	14,0			
443		474	3,6	3,33	12,3	11,1	22,9	24,8	SK 972.1 - 180 LP/4	260,5	B104
	395	532	3,4	3,74	12,4	11,3	23,4	25,4			
	324	649	3,1	4,56	12,9	12,1	24,6	26,7			
	281	748	2,7	5,25	12,5	11,9	25,0	27,0			
	239	879	2,4	6,17	12,4	12,0	25,6	27,7			
	221	952	2,4	6,68	13,2	13,0	26,5	28,7			
	205	1024	2,2	7,19	12,7	12,7	26,6	28,8			
	174	1204	2,0	8,45	12,4	12,6	27,1	29,4			
	157	1338	1,9	9,40	12,5	13,1	27,8	30,1			
	143	1474	1,7	10,35	12,4	13,1	28,2	30,5			
	128	1643	1,5	11,54	12,2	13,3	28,6	31,0			
	115	1831	1,4	12,86	11,1	12,3	28,5	30,8			
	109	1931	1,4	13,56	11,3	12,7	28,9	31,4			
	104	2017	1,3	14,16	10,7	12,0	28,7	31,1			

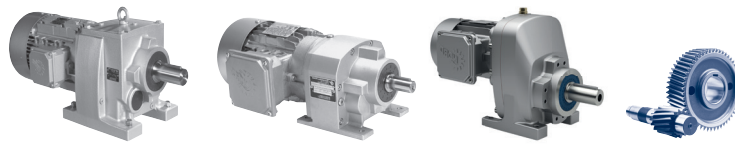
NORDBLOC.1
Helical gear unit

22,0 kW
30,0 kW



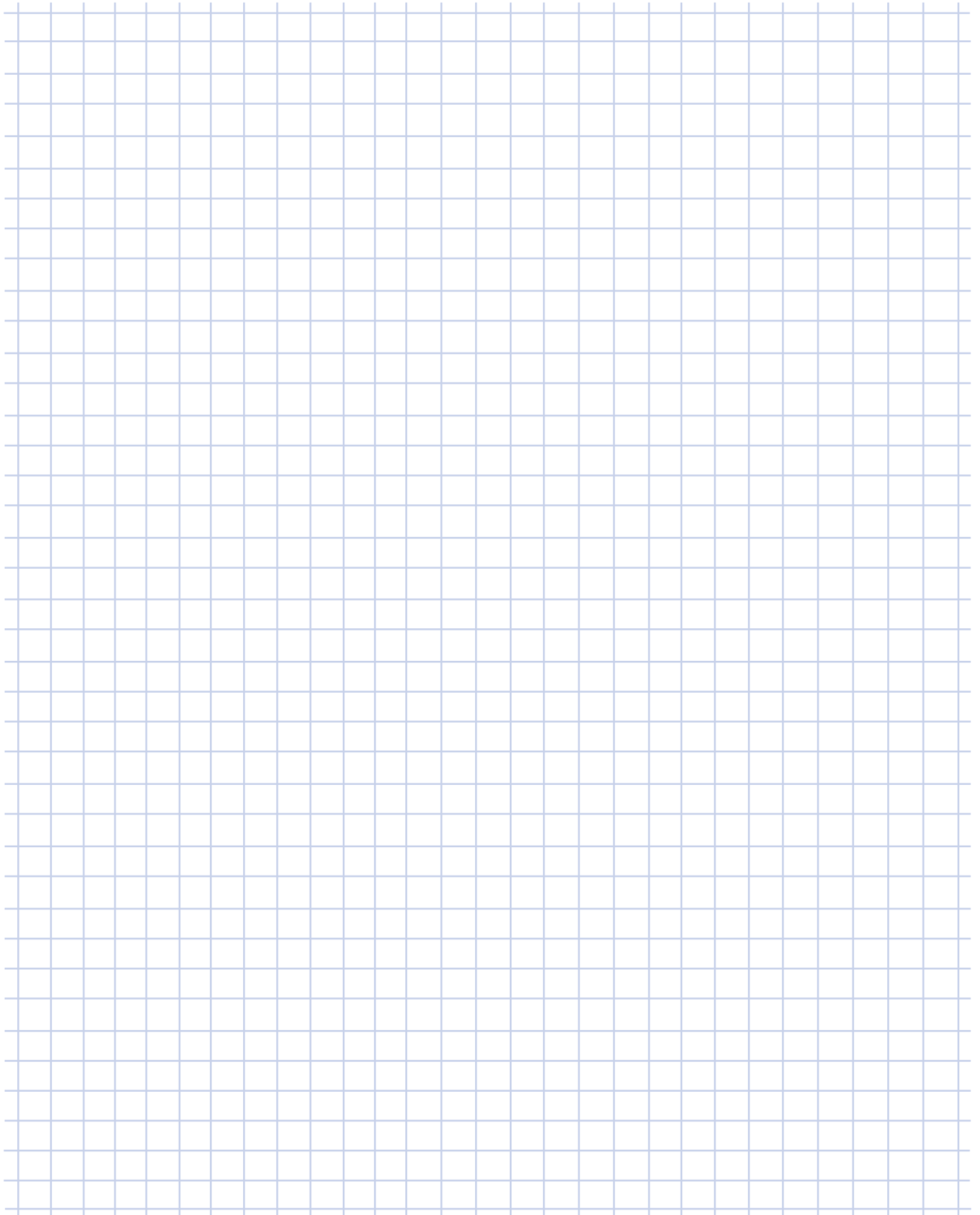
NORDBLOC.1
Helical gear unit

P_1 [kW]	n_2 [r/min]	M_2 [Nm]	f_B	i_{total}	F_R [kN]	F_A	$F_{R VL}$ [kN]	$F_{A VL}$ [kN]	Type	kg	mm 	
22,0	93	2256	1,2	15,84	9,8	11,3	28,8	31,2	SK 972.1 - 180 LP/4	260,5	B104	
	84	2514	1,1	17,65	9,2	11,1	29,0	31,4				
	75	2809	1,0	19,72	7,4	9,3	28,5	30,9				
	67	3132	0,9	21,99	6,6	8,7	28,6	31,0				
	22,0	66	3193	0,9	22,42	5,3	7,3	27,8	30,2	SK 973.1 - 180 LP/4	262,5	B105
		58	3633	0,8	25,51	3,1	5,3	27,2	29,4			
	30,0	1046	274	2,3	1,42	5,2	5,1	10,0	15,0	SK 1071.1 - 225 RP/4	418	B88
		936	306	2,1	1,59	5,4	5,3	10,0	15,0			
835		343	2,1	1,78	5,6	5,4	10,0	15,0				
794		361	2,0	1,87	5,6	5,4	10,0	15,0				
765		374	1,9	1,94	5,7	5,5	10,0	15,0				
682		420	1,9	2,18	5,8	5,5	10,0	15,0				
587		488	1,8	2,53	5,7	5,7	10,0	15,0				
489		586	1,7	3,04	5,3	5,8	10,0	15,0				
30,0		1196	239	1,8	1,24	3,2	2,3	9,0	14,0	SK 971.1 - 225 RP/4	366,6	B86
		1028	279	1,5	1,44	3,1	2,4	9,0	14,0			
		979	292	1,6	1,52	2,9	2,3	9,0	14,0			
		908	316	1,5	1,64	2,8	2,3	9,0	14,0			
		815	351	1,5	1,82	2,7	2,4	9,0	14,0			
		720	398	1,4	2,06	2,3	2,2	9,0	14,0			
		594	482	1,2	2,50	1,6	2,0	9,0	14,0			
		30,0	446	642	2,6	3,33	10,7	9,6	21,8			
398	721		2,5	3,74	10,6	9,6	22,2	24,0				
326	880		2,3	4,56	10,9	10,1	23,2	25,1				
283	1013		2,0	5,25	10,1	9,4	23,2	25,1				
241	1190		1,7	6,17	9,5	9,0	23,6	25,5				
222	1290		1,7	6,68	10,4	10,1	24,6	26,6				
206	1388		1,6	7,19	9,6	9,4	24,4	26,4				
176	1631		1,4	8,45	8,7	8,7	24,6	26,6				
158	1813		1,4	9,40	8,6	8,8	25,0	27,1				
144	1996		1,2	10,35	8,1	8,5	25,2	27,3				
129	2225		1,1	11,54	7,6	8,2	25,4	27,5				
116	2480		1,1	12,86	5,8	6,5	24,7	26,8				
110	2616		1,0	13,56	5,9	6,8	25,2	27,2				
105	2732		1,0	14,16	4,9	5,8	24,7	26,7				

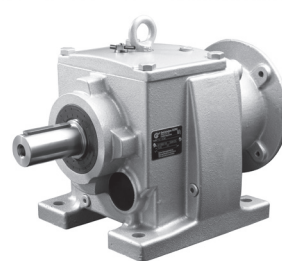
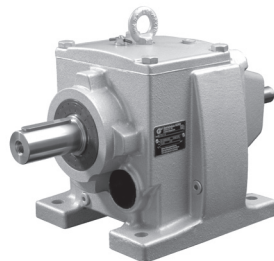
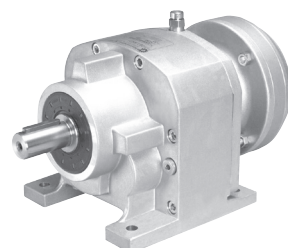
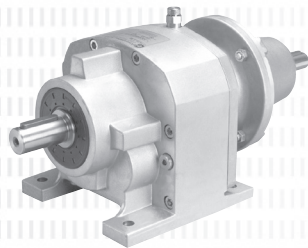
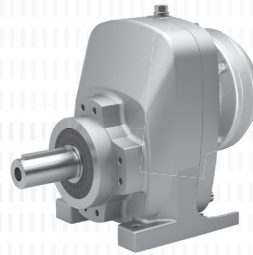
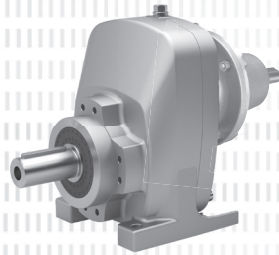


P_1 [kW]	n_2 [r/min]	M_2 [Nm]	f_B	i_{total}	F_R [kN]	F_A	$F_{R VL}$ [kN]	$F_{A VL}$ [kN]	Type	kg	mm B
37,0	1046	338	1,9	1,42	4,6	4,1	10,0	15,0	SK 1071.1 - 225 SP/4	433	B88
	936	377	1,7	1,59	4,6	4,2	10,0	15,0			
	835	423	1,7	1,78	4,4	4,3	10,0	15,0			
	794	445	1,6	1,87	4,3	4,2	10,0	15,0			
	765	462	1,5	1,94	4,3	4,3	10,0	15,0			
	682	518	1,5	2,18	4,0	4,2	10,0	15,0			
	587	602	1,5	2,53	3,8	4,2	10,0	15,0			
	489	722	1,4	3,04	3,1	4,0	10,0	15,0			
	1196	295	1,4	1,24	1,5	1,3	9,0	14,0	SK 971.1 - 225 SP/4	381,6	B86
	1028	344	1,2	1,44	1,3	1,3	9,0	14,0			
	979	361	1,3	1,52	1,0	1,2	9,0	14,0			
	908	389	1,2	1,64	0,8	1,2	9,0	14,0			
	815	433	1,2	1,82	0,6	1,1	9,0	14,0			
	720	491	1,1	2,06			9,0	14,0			
	594	595	1,0	2,50			9,0	14,0			
		446	792	2,1	3,33	9,3	8,3	20,8			
398		889	2,1	3,74	9,1	8,2	21,1	22,9			
326		1085	1,8	4,56	9,2	8,4	22,0	23,8			
283		1249	1,6	5,25	7,9	7,3	21,7	23,5			
241		1468	1,4	6,17	7,0	6,6	21,8	23,6			
222		1590	1,4	6,68	7,9	7,7	22,9	24,8			
206		1711	1,3	7,19	6,9	6,7	22,5	24,3			
176		2012	1,2	8,45	5,5	5,6	22,3	24,2			
158		2235	1,1	9,40	5,2	5,5	22,6	24,5			
144		2462	1,0	10,35	4,4	4,8	22,6	24,5			
129		2745	0,9	11,54	3,5	4,2	22,6	24,5			
116		3059	0,9	12,86	1,1	2,0	21,5	23,3			
110		3226	0,8	13,56	1,1	2,2	21,8	23,7			
45,0		1046	411	1,5	1,42	3,2	3,1	10,0	15,0	SK 1071.1 - 225 MP/4	468
	936	459	1,4	1,59	3,0	3,1	10,0	15,0			
	835	514	1,4	1,78	2,7	3,0	10,0	15,0			
	794	541	1,3	1,87	2,5	2,9	10,0	15,0			
	765	562	1,3	1,94	2,5	2,9	10,0	15,0			
	682	630	1,3	2,18	2,0	2,7	10,0	15,0			
	587	732	1,2	2,53	1,5	2,6	10,0	15,0			

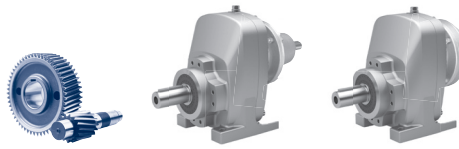
Notes



NORDBLOC.1 Helical gear units



SK 071.1 SK 171.1 SK 371.1



NORDBLOC.1
Helical gear unit

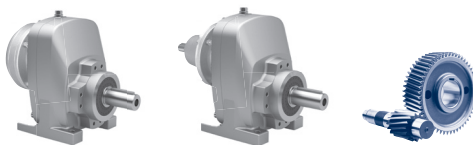
	i_{Total}	n_2	M_{2max}	W			IEC							
				$f_B = 1$	P_{1max}			$f_B \Rightarrow$ B4-57						
					$n_1 = 1400$ r/min	$n_1 = 930$ r/min	$n_1 = 700$ r/min	IEC 63	IEC 71	IEC 80	IEC 90	IEC 100	IEC 112	IEC 132
SK 071.1	11,00	127	6,2	0,083	0,055	0,041	*	*	*					
W	7,29	192	12	0,24	0,16	0,12		*	*					
$\frac{H}{mm}$	5,56	252	15	0,4	0,26	0,2			*					
\rightarrow B106	4,80	292	17	0,52	0,34	0,26			*					
	3,70	378	20	0,79	0,53	0,4			*					
IEC	2,27	616	23	1,25	0,69	0,57								
$\frac{H}{mm}$	2,00	700	25	1,35	0,81	0,67								
\rightarrow B108	1,19	1174	25	1,5	0,88	0,73								
	1,07	1303	24	1,5	1,1	0,92								
				1,5	1,15	0,95								

	i_{Total}	n_2	M_{2max}	$f_B = 1$	W			IEC						
					P_{1max}			$f_B \Rightarrow$ B4-57						
					$n_1 = 1400$ r/min	$n_1 = 930$ r/min	$n_1 = 700$ r/min	IEC 63	IEC 71	IEC 80	IEC 90	IEC 100	IEC 112	IEC 132
SK 171.1	14,00	100	7,9	0,083	0,055	0,041	*	*	*					
W	9,29	151	17	0,27	0,18	0,13		*	*					
$\frac{H}{mm}$	7,75	181	21	0,40	0,24	0,18		*	*					
\rightarrow B106	6,20	226	26	0,61	0,41	0,31			*					
	4,80	292	34	1,04	0,53	0,44			*					
IEC	3,05	460	45	1,5	0,69	0,57								
$\frac{H}{mm}$	2,71	517	36	1,5	0,81	0,67								
\rightarrow B108	2,08	672	53	1,5	0,88	0,73				*				
	1,96	715	50	1,5	1,00	0,82				*				
	1,15	1213	38	1,5	1,03	0,85				*				
	1,07	1303	36	1,5	1,37	1,13								
				1,5	1,41	1,17								

	i_{Total}	n_2	M_{2max}	$f_B = 1$	W			IEC						
					P_{1max}			$f_B \Rightarrow$ B4-57						
					$n_1 = 1400$ r/min	$n_1 = 930$ r/min	$n_1 = 700$ r/min	IEC 63	IEC 71	IEC 80	IEC 90	IEC 100	IEC 112	IEC 132
SK 371.1	10,86	129	23	0,31	0,21	0,16			*	*				
W	9,12	153	29	0,47	0,31	0,23			*	*				
$\frac{H}{mm}$	8,11	173	31	0,56	0,37	0,28			*	*				
\rightarrow B106	7,20	194	35	0,71	0,47	0,36			*	*				
	5,50	255	50	1,33	0,89	0,67			*	*				
IEC	3,10	452	63	2,10	1,39	1,05								
$\frac{H}{mm}$	2,73	513	78	1,80	1,11	0,83								
\rightarrow B109	2,46	569	83	1,89	1,20	0,90								
	2,00	700	80	2,91	2,00	1,65				*				
	1,75	800	74	3,0	2,27	1,88				*				
	1,54	910	67	3,0	2,64	2,18								
	1,29	1084	59	3,0	2,84	2,35								
	1,12	1255	53	3,0	3,0	2,58								
				3,0	3,0	2,78								

* Caution, do not exceed the maximum drive power P_{1max} according to the Typ W column.

$\frac{m}{kg}$	W	IEC 63	IEC 71	IEC 80	IEC 90	IEC 100
SK 071.1	4	4	4	4	-	-
SK 171.1	7	7	7	7	7	-
SK 371.1	11	10	10	10	10	11



	i_{Total}	n_2	M_{2max}	W			IEC							
				$f_B = 1$	P_{1max}			$f_B \Rightarrow$ B4-57						
					$n_1 = 1400$ r/min	$n_1 = 930$ r/min	$n_1 = 700$ r/min	IEC 63	IEC 71	IEC 80	IEC 90	IEC 100	IEC 112	IEC 132
SK 571.1	9,50	147	52	0,80	0,53	0,40				*				
W	7,40	189	72	1,43	0,95	0,71				*				
	6,00	233	90	2,20	1,46	1,10								
$\frac{H}{mm}$	5,46	256	102	2,74	1,79	1,37				*		*		
\Rightarrow B106	4,38	319	125	4,18	2,51	1,89								
	3,42	410	137	2,91	1,90	1,43				*		*		
IEC	2,82	497	165	3,25	2,16	1,63						*		
	2,50	560	165	6,06	4,23	3,18							*	
$\frac{H}{mm}$	2,23	628	159	6,53	4,56	3,43							*	
\Rightarrow B110	1,69	827	155	8,31	5,40	4,07							*	
	1,31	1071	129	9,20	6,22	4,68							*	

NORDBLOC.1
Helical gear unit

	i_{Total}	n_2	M_{2max}	P_{1max}	$f_B \geq 1$	IEC							
						IEC 63	IEC 71	IEC 80	IEC 90	IEC 100	IEC 112	IEC 132	
SK 771.1	13,10	107	71	0,79	0,53	0,40				*			
W	10,30	136	96	1,37	0,91	0,68				*			
	8,50	165	124	2,14	1,42	1,07							
$\frac{H}{mm}$	7,69	182	147	2,80	1,86	1,40				*		*	
\Rightarrow B106	6,23	225	172	4,05	2,69	2,02							*
	5,41	259	164	1,89	1,02	0,77							
	4,96	282	208	3,73	2,48	1,86					*		*
IEC	4,14	338	237	4,24	2,82	2,12							*
	3,75	373	264	5,76	3,83	2,88							*
$\frac{H}{mm}$	3,38	414	258	6,16	4,09	3,08							*
\Rightarrow B111	2,65	528	311	8,87	6,75	5,59							*
	2,15	650	279	9,2	7,77	6,43							
	1,54	912	221	9,2	9,2	7,75							
	1,25	1120	190	9,2	9,2	8,59							

* Caution, do not exceed the maximum drive power P_{1max} according to the Typ W column.

$\frac{kg}{kg}$	W	IEC 63	IEC 71	IEC 80	IEC 90	IEC 100	IEC 112	IEC 132
SK 571.1	24	23	23	23	23	24	24	26
SK 771.1	42	40	40	44	44	48	48	57

SK 871.1
SK 971.1
SK 1071.1



NORDBLOC.1
Helical gear unit

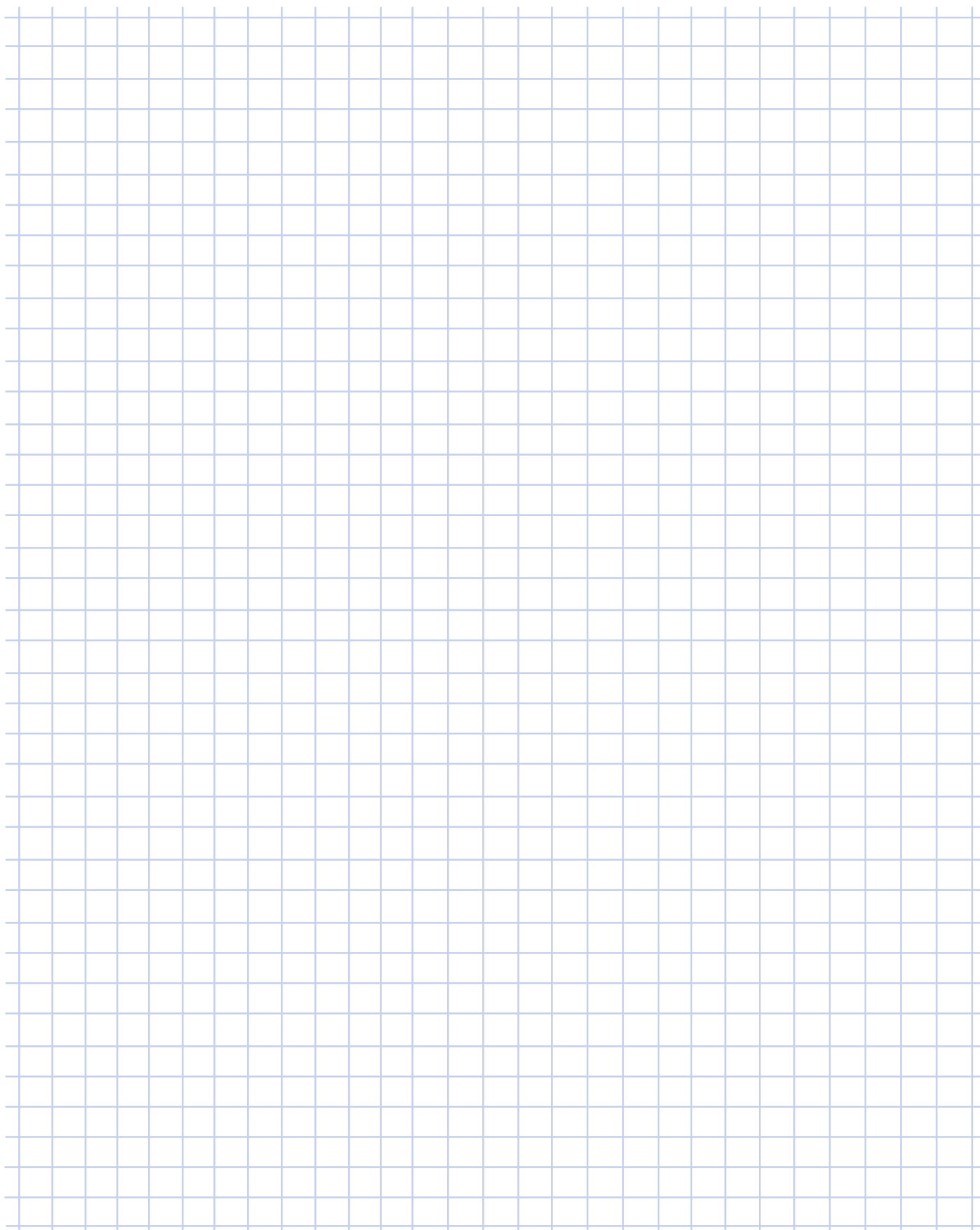
	i_{Total}	n_2	M_{2max}	W			IEC									
				$n_1 = 1400 \text{ r/min}$	P_{1max}		$f_B \Rightarrow \text{B4-57}$									
					$f_B = 1$	$n_1 = 1400 \text{ r/min}$	$n_1 = 930 \text{ r/min}$	$n_1 = 700 \text{ r/min}$	IEC 90	IEC 100	IEC 112	IEC 132	AI 160	AI 180	AI 200	AI 225
SK 871.1	7,18	195	280	5,16	3,43	2,76				*	*	*				
W	5,27	266	360	6,91	5,26	4,56										
mm	4,29	326	360	6,15	4,08	3,29										
\rightarrow B106	3,88	360	360	6,41	4,26	3,44				*						
	3,42	410	400	6,75	4,48	3,62				*						
	3,08	455	400	10,8	8,25	7,15										
IEC, AI	2,50	560	400	12,6	9,59	8,31										
mm	2,14	655	360	14,0	10,7	9,24										
\rightarrow B112	1,82	769	320	15,4	11,7	10,2										
	1,63	857	320	16,5	12,6	10,9										
	1,50	933	280	17,3	13,2	11,4										
	1,41	990	280	17,9	13,6	11,8										

SK 971.1	6,82	205	540	7,04	5,36	4,64										
W	5,94	236	600	7,81	5,94	5,15										
mm	5,50	255	480	6,86	4,56	3,68				*						
\rightarrow B106	5,04	278	540	7,11	4,73	3,81				*						
	4,42	317	600	7,42	4,93	3,97				*						
	4,04	347	600	11,0	8,40	7,28										
IEC, AI	3,67	382	600	11,6	8,87	7,68										
mm	3,31	423	600	12,6	9,59	8,31										
\rightarrow B112	2,86	489	600	14,0	10,7	9,24										
	2,50	560	600	15,4	11,7	10,2										
	2,06	679	540	17,5	13,4	11,6										
	1,82	769	540	19,1	14,6	12,6										
	1,64	856	480	20,2	15,4	13,4										
	1,52	923	480	21,1	16,1	13,9										
	1,44	969	420	22,0	16,8	14,5										
	1,24	1128	420	23,6	17,9	15,5										

SK 1071.1	8,09	173	710	12,3	8,17	6,59				*	*					
W	6,50	215	710	14,5	9,64	7,77										
mm	5,29	265	890	16,1	10,7	8,62										
\rightarrow B106	4,77	294	890	18,2	12,1	9,77										
	4,42	317	1000	18,7	12,4	10,0										
IEC, AI	3,96	353	1000	29,9	19,8	16,0										
mm	3,45	406	1000	31,5	20,9	16,9										
\rightarrow B113	3,04	461	1000	45,0	29,9	24,1										
	2,53	553	890	45,0	29,9	24,1										
	2,18	643	790	45,0	29,9	24,1										
	1,94	721	710	45,0	29,9	24,1										
	1,87	748	710	45,0	29,9	24,1										
	1,78	788	710	45,0	29,9	24,1										
	1,59	883	630	45,0	29,9	24,1										
	1,42	986	630	45,0	29,9	24,1										

* Caution, do not exceed the maximum drive power P_{1max} according to the Typ W column.

kg	W	IEC 90	IEC 100	IEC 112	IEC 132	AI 160	AI 180	AI 200	AI 225
SK 871.1	20	53	60	60	75	74	74	-	-
SK 971.1	20	67	75	75	90	89	89	106	-
SK 1071.1	45	-	131	131	145	159	159	171	188



SK 072.1



NORDBLOC.1
Helical gear unit

	i_{Total}	n_2	M_{2max}	W			IEC								
				$n_1 = 1400$ [r/min]	$f_B = 1$ [Nm]	P_{1max}			$f_B \Rightarrow$ B4-57						
						$n_1 = 1400$ [kW]	$n_1 = 930$ [kW]	$n_1 = 700$ [kW]	IEC 56	IEC 63	IEC 71				
SK 072.1	63,56	22	50	0,12	0,08	0,06		*	*						
	55,00	25	50	0,13	0,09	0,07		*	*						
	49,00	29	46	0,14	0,09	0,07		*	*						
	42,10	33	50	0,17	0,11	0,09		*	*						
	36,43	38	54	0,21	0,14	0,11			*						
	32,45	43	55	0,25	0,16	0,12			*						
	27,78	50	54	0,28	0,19	0,14			*						
	24,75	57	55	0,33	0,22	0,16			*						
	22,22	63	55	0,36	0,24	0,18			*						
	21,38	65	55	0,37	0,25	0,19									
	19,20	73	55	0,42	0,28	0,21									
	17,35	81	55	0,47	0,31	0,23									
	15,77	89	55	0,51	0,34	0,26									
	14,40	97	51	0,52	0,34	0,26									
	13,20	106	47	0,52	0,34	0,26									
	11,56	121	50	0,55	0,36	0,28									
	10,00	140	55	0,55	0,36	0,28									
	8,91	157	55	0,55	0,36	0,28									
	8,00	175	55	0,55	0,36	0,28									
	7,23	194	55	0,55	0,36	0,28									
	6,57	213	53	0,55	0,36	0,28									
	5,96	235	55	0,55	0,36	0,28									
	5,50	255	55	0,55	0,36	0,28									
	5,31	264	55	0,55	0,36	0,28									
	4,77	294	53	0,55	0,36	0,28									
	4,31	325	50	0,55	0,36	0,28									
	3,92	357	45	0,55	0,36	0,28									
	3,58	391	48	0,55	0,36	0,28									
	3,28	427	47	0,55	0,36	0,28									
	2,95	475	46	0,55	0,36	0,28									
	2,85	491	45	0,55	0,36	0,28									
	2,57	545	41	0,55	0,36	0,28									
	2,33	601	39	0,55	0,36	0,28									
	2,10	667	36	0,55	0,36	0,28									

* Caution, do not exceed the maximum drive power P_{1max} according to the Typ W column.

kg	IEC ...
SK 072.1	4



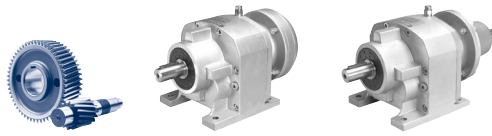
	i_{Total}	n_2	M_{2max}	W			IEC					
				$f_B = 1$	P_{1max}			$f_B \Rightarrow$ B4-57				
					$n_1 = 1400$ [r/min]	$n_1 = 930$ [kW]	$n_1 = 700$ [kW]	IEC 56	IEC 63	IEC 71	IEC 80	IEC 90
SK 172.1	81,45	17	83	0,15	0,10	0,07		*	*	*	*	
	70,00	20	72	0,15	0,10	0,08		*	*	*	*	
	62,36	22	64	0,15	0,10	0,07		*	*	*	*	
W	54,03	26	85	0,23	0,15	0,12			*	*	*	
B107	46,43	30	85	0,27	0,18	0,13			*	*	*	
	41,36	34	85	0,30	0,20	0,15			*	*	*	
	38,75	36	85	0,32	0,21	0,16			*	*	*	
	34,52	41	86	0,37	0,24	0,18			*	*	*	
	31,00	45	92	0,43	0,29	0,22			*	*	*	
	27,62	51	92	0,49	0,32	0,25			*	*	*	
	24,80	56	92	0,54	0,36	0,27			*	*	*	
IEC	22,42	62	92	0,60	0,39	0,30			*	*	*	
B114	20,37	69	85	0,61	0,41	0,31			*	*	*	
	18,60	75	84	0,66	0,44	0,33			*	*	*	
	15,76	89	85	0,79	0,52	0,40			*	*	*	
	13,54	103	85	0,92	0,61	0,46			*	*	*	
	12,06	116	87	1,06	0,70	0,53			*	*	*	
	11,39	123	85	1,09	0,72	0,55			*	*	*	
	10,83	129	86	1,16	0,77	0,58			*	*	*	
	9,79	143	85	1,27	0,84	0,64			*	*	*	
	8,72	161	88	1,48	0,98	0,74			*	*	*	
	7,83	179	82	1,50	0,99	0,75						
	7,08	198	82	1,50	0,99	0,75						
	6,43	218	82	1,50	0,99	0,75						
	5,77	243	77	1,50	0,99	0,75						
	5,14	272	83	1,50	0,99	0,75						
	4,62	303	72	1,50	0,99	0,75						
	4,17	336	65	1,50	0,99	0,75						
	3,79	369	59	1,50	0,99	0,75						
	3,46	405	54	1,50	0,99	0,75						
	3,22	435	54	1,50	0,99	0,75						
	2,92	479	50	1,50	0,99	0,75						
	2,72	515	46	1,50	0,99	0,75						
	2,49	562	43	1,50	0,99	0,75						
	2,32	603	43	1,50	0,99	0,75						

NORDBLOC.1
Helical gear unit

* Caution, do not exceed the maximum drive power P_{1max} according to the Typ W column.

	W	IEC ...
SK 172.1	7	7

SK 372.1



NORDBLOC.1
Helical gear unit

	i_{Total}	n_2 $n_1 =$ 1400 r/min [r/min]	M_{2max} $f_B = 1$ [Nm]	W			IEC							
				P_{1max}			$f_B \Rightarrow$ B4-57							
				$n_1 =$ 1400 r/min [kW]	$n_1 =$ 930 r/min [kW]	$n_1 =$ 700 r/min [kW]	IEC 63	IEC 71	IEC 80	IEC 90	IEC 100			
SK 372.1	72,38	19	150	0,30	0,20	0,15		*	*	*				
	64,06	22	160	0,37	0,24	0,18			*	*				
	60,83	23	150	0,36	0,24	0,18			*	*				
W	53,84	26	160	0,44	0,29	0,22			*	*				
$\frac{h}{mm}$	43,26	32	170	0,57	0,38	0,28			*	*				
\Rightarrow B107	38,12	37	180	0,70	0,46	0,35			*	*				
	33,84	41	190	0,82	0,54	0,41				*				
	30,11	46	180	0,87	0,57	0,43				*				
	25,85	54	190	1,07	0,71	0,54				*				
	23,00	61	200	1,28	0,84	0,64				*				
	20,62	68	190	1,35	0,89	0,68				*				
IEC	18,40	76	200	1,59	1,05	0,80								
$\frac{h}{mm}$	16,50	85	190	1,69	1,12	0,85								
\Rightarrow B115	14,57	96	190	1,91	1,26	0,95								
	12,96	108	200	2,26	1,49	1,13								
	11,55	121	190	2,41	1,59	1,20						*		
	10,28	136	190	2,71	1,79	1,35						*		
	9,40	149	190	2,96	1,96	1,48						*		
	8,22	170	180	<i>3,00</i>	<i>1,98</i>	<i>1,50</i>								
	7,23	194	170	<i>3,00</i>	<i>1,98</i>	<i>1,50</i>								
	6,89	203	170	<i>3,00</i>	<i>1,98</i>	<i>1,50</i>								
	6,58	213	160	<i>3,00</i>	<i>1,98</i>	<i>1,50</i>								
	5,95	235	160	<i>3,00</i>	<i>1,98</i>	<i>1,50</i>								
	5,24	267	160	<i>3,00</i>	<i>1,98</i>	<i>1,50</i>								
	4,66	300	140	<i>3,00</i>	<i>1,98</i>	<i>1,50</i>								
	4,18	335	130	<i>3,00</i>	<i>1,98</i>	<i>1,50</i>								
	3,78	370	120	<i>3,00</i>	<i>1,98</i>	<i>1,50</i>								
	3,43	408	110	<i>3,00</i>	<i>1,98</i>	<i>1,50</i>								
	3,12	449	100	<i>3,00</i>	<i>1,98</i>	<i>1,50</i>								
	2,86	490	90	<i>3,00</i>	<i>1,98</i>	<i>1,50</i>								
	2,62	534	90	<i>3,00</i>	<i>1,98</i>	<i>1,50</i>								

* Caution, do not exceed the maximum drive power P_{1max} according to the Typ W column.

$\frac{kg}{kg}$	W	IEC 63	IEC 71	IEC 80	IEC 90	IEC 100
SK 372.1	11	10	10	10	10	11



	i_{Total}	n_2 $n_1 =$ 1400 r/min [r/min]	M_{2max} $f_B = 1$ [Nm]	W			IEC						
				P_{1max}			$f_B \Rightarrow$ B4-57						
				$n_1 =$ 1400 r/min [kW]	$n_1 =$ 930 r/min [kW]	$n_1 =$ 700 r/min [kW]	IEC 63	IEC 71	IEC 80	IEC 90			
SK 373.1	343,92	4,1	190	0,08	0,05	0,04	*	*	*	*			
	303,08	4,6	210	0,10	0,07	0,05	*	*	*	*			
	269,67	5,2	220	0,12	0,08	0,06	*	*	*	*			
W	256,50	5,5	200	0,12	0,08	0,06	*	*	*	*			
	228,22	6,1	220	0,14	0,09	0,07	*	*	*	*			
\Rightarrow B107	207,98	6,7	200	0,14	0,09	0,07	*	*	*	*			
	196,07	7,1	210	0,16	0,10	0,08	*	*	*	*			
	185,05	7,6	210	0,17	0,11	0,08	*	*	*	*			
	165,94	8,4	210	0,18	0,12	0,09		*	*	*			
	145,00	9,7	210	0,21	0,14	0,11		*	*	*			
	130,87	11	200	0,23	0,15	0,12		*	*	*			
IEC	120,54	12	200	0,25	0,17	0,13		*	*	*			
	102,01	14	200	0,29	0,19	0,15		*	*	*			
\Rightarrow B115	91,48	15	210	0,33	0,22	0,16		*	*	*			
	82,57	17	210	0,37	0,25	0,19			*	*			
	74,27	19	200	0,40	0,26	0,20			*	*			
	64,70	22	200	0,46	0,30	0,23			*	*			
	60,22	23	200	0,48	0,32	0,24			*	*			
	54,00	26	210	0,57	0,38	0,29			*	*			
	47,05	30	210	0,66	0,44	0,33			*	*			
	42,46	33	200	0,69	0,46	0,35			*	*			
	37,23	38	200	0,80	0,53	0,40				*			
	33,20	42	200	0,88	0,58	0,44				*			
	29,77	47	210	1,03	0,68	0,52				*			
	25,94	54	210	1,19	0,78	0,59				*			
	23,41	60	210	1,32	0,87	0,66				*			
	22,74	62	210	1,36	0,90	0,68				*			
	20,52	68	210	1,50	0,99	0,75				*			
	18,63	75	190	1,49	0,98	0,75				*			

NORDBLOC.1
Helical gear unit

* Caution, do not exceed the maximum drive power P_{1max} according to the Typ W column.

	W	IEC 63	IEC 71	IEC 80	IEC 90
SK 373.1	12	11	11	11	11

SK 572.1



	i_{Total}	n_2 $n_1 =$ 1400 r/min [r/min]	M_{2max} $f_B = 1$ [Nm]	W			IEC						
				P_{1max}			$f_B \Rightarrow$ B4-57						
				$n_1 =$ 1400 r/min [kW]	$n_1 =$ 930 r/min [kW]	$n_1 =$ 700 r/min [kW]	IEC 63	IEC 71	IEC 80	IEC 90	IEC 100	IEC 112	
SK 572.1	54,41	26	370	1,01	0,66	0,50				*			
	45,77	31	320	1,04	0,69	0,52				*			
	42,38	33	370	1,28	0,84	0,64				*			
W	35,65	39	370	1,51	1,00	0,76							
	31,28	45	370	1,74	1,15	0,87					*	*	
$\frac{H}{mm}$	28,91	48	380	1,91	1,26	0,95							
\Rightarrow B107	27,00	52	400	2,18	1,44	1,09					*	*	
	24,58	57	430	2,57	1,69	1,28					*	*	
	21,85	64	420	2,81	1,86	1,41					*	*	
	19,57	72	400	3,02	1,99	1,51						*	
	16,46	85	400	3,56	2,35	1,78							*
IEC	15,38	91	430	4,10	2,70	2,05							
	13,67	102	410	4,38	2,89	2,19							
$\frac{H}{mm}$	12,68	110	430	4,95	3,27	2,48							
\Rightarrow B116	11,25	124	410	5,32	3,51	2,66							
	10,04	139	400	5,50	3,63	2,75							
	8,92	157	370	5,50	3,63	2,75							
	8,15	172	360	5,50	3,63	2,75							
	7,49	187	350	5,50	3,63	2,75							
	6,30	222	320	5,50	3,63	2,75							
	5,88	238	300	5,50	3,63	2,75							
	5,23	268	270	5,50	3,63	2,75							
	4,69	299	250	5,50	3,63	2,75							
	4,22	332	230	5,50	3,63	2,75							
	3,83	366	220	5,50	3,63	2,75							
	3,27	428	190	5,50	3,63	2,75							
	2,92	479	170	5,50	3,63	2,75							

* Caution, do not exceed the maximum drive power P_{1max} according to the Typ W column.

$\frac{kg}{kg}$	W	IEC 63	IEC 71	IEC 80	IEC 90	IEC 100	IEC 112
SK 572.1	18	18	18	18	18	19	19



	i_{Total}	n_2 $n_1 =$ 1400 r/min [r/min]	M_{2max} $f_B = 1$ [Nm]	W			IEC						
				P_{1max}			$f_B \Rightarrow$ B4-57						
				$n_1 =$ 1400 r/min [kW]	$n_1 =$ 930 r/min [kW]	$n_1 =$ 700 r/min [kW]	IEC 63	IEC 71	IEC 80	IEC 90	IEC 100	IEC 112	
SK 573.1	402,80	3,5	370	0,14	0,09	0,07	*	*	*	*			
	376,20	3,7	410	0,16	0,10	0,08	*	*	*	*			
	316,18	4,4	420	0,19	0,13	0,10		*	*	*			
W	302,91	4,6	440	0,21	0,14	0,11		*	*	*			
	269,26	5,2	450	0,25	0,16	0,12		*	*	*			
\downarrow mm	226,30	6,2	450	0,29	0,19	0,15		*	*	*			
\Rightarrow B107	201,16	7,0	450	0,33	0,22	0,16		*	*	*			
	188,91	7,4	450	0,35	0,23	0,17		*	*	*			
	178,56	7,8	450	0,37	0,24	0,18			*	*			
	158,78	8,8	450	0,41	0,27	0,21			*	*			
	141,13	9,9	450	0,47	0,31	0,23			*	*			
IEC	136,40	10	450	0,47	0,31	0,24			*	*			
	125,45	11	450	0,52	0,34	0,26			*	*			
\downarrow mm	111,36	13	450	0,61	0,40	0,31			*	*			
\Rightarrow B116	109,12	13	450	0,61	0,40	0,31			*	*			
	107,42	13	430	0,59	0,39	0,29			*	*			
	94,50	15	450	0,71	0,47	0,35			*	*			
	85,18	16	450	0,75	0,50	0,38				*			
	76,88	18	450	0,85	0,56	0,42				*			
	67,64	21	450	0,99	0,65	0,49				*			
	60,97	23	450	1,08	0,72	0,54				*			
	55,80	25	450	1,18	0,78	0,59				*			
	49,60	28	450	1,32	0,87	0,66				*			
	47,95	29	450	1,37	0,90	0,68				*			
	43,40	32	450	1,51	1,00	0,75							
	42,18	33	450	1,55	1,03	0,78							
	38,02	37	450	1,74	1,15	0,87					*	*	
	34,80	40	440	1,84	1,22	0,92					*	*	
	30,93	45	440	2,07	1,37	1,04					*	*	
	26,77	52	430	2,34	1,55	1,17					*	*	
	23,79	59	430	2,66	1,75	1,33					*	*	
	21,32	66	430	2,97	1,96	1,49					*	*	
	19,22	73	430	3,29	2,17	1,64						*	
	17,42	80	430	3,60	2,38	1,80						*	

NORDBLOC.1
Helical gear unit

* Caution, do not exceed the maximum drive power P_{1max} according to the Typ W column.

kg	W	IEC 63	IEC 71	IEC 80	IEC 90	IEC 100	IEC 112
SK 573.1	19	19	19	19	19	20	20

SK 672.1



NORDBLOC.1
Helical gear unit

	i_{Total}	n_2 $n_1 =$ 1400 r/min [r/min]	M_{2max} $f_B = 1$ [Nm]	W			IEC						
				P_{1max}			$f_B \Rightarrow$ B4-57						
				$n_1 =$ 1400 r/min	$n_1 =$ 930 r/min	$n_1 =$ 700 r/min							
				[kW]	[kW]	[kW]	IEC 63	IEC 71	IEC 80	IEC 90	IEC 100	IEC 112	IEC 132
SK 672.1	56,65	25	400	1,05	0,69	0,52				*			
	44,55	31	450	1,46	0,96	0,73				*			
	35,75	39	550	2,25	1,48	1,12							
W	32,58	43	610	2,75	1,81	1,37				*		*	
	29,08	48	550	2,76	1,82	1,38				*		*	
$\frac{mm}{mm}$	26,23	53	610	3,39	2,23	1,69						*	
\Rightarrow B107	23,41	60	610	3,83	2,53	1,92						*	
	20,62	68	610	4,34	2,87	2,17							
	18,41	76	610	4,85	3,20	2,43							
	17,25	81	610	5,17	3,41	2,59							
	15,35	91	610	5,81	3,84	2,91							*
IEC	13,70	102	580	6,19	4,09	3,10							*
$\frac{mm}{mm}$	12,56	111	570	6,63	4,37	3,31							*
\Rightarrow B117	11,38	123	570	7,34	4,85	3,67							*
	10,37	135	570	8,06	5,32	4,03							*
	9,25	151	530	8,38	5,53	4,19							*
	8,66	162	530	8,99	5,93	4,50							*
	8,48	165	530	9,16	6,04	4,58							*
	7,68	182	530	9,20	6,07	4,60							
	6,75	207	520	9,20	6,07	4,60							
	6,12	229	510	9,20	6,07	4,60							
	5,59	250	490	9,20	6,07	4,60							
	5,06	277	480	9,20	6,07	4,60							
	4,61	304	450	9,20	6,07	4,60							
	4,22	332	420	9,20	6,07	4,60							
	3,88	361	400	9,20	6,07	4,60							
	3,58	391	360	9,20	6,07	4,60							
	3,31	423	340	9,20	6,07	4,60							
	3,07	456	320	9,20	6,07	4,60							
	2,86	490	300	9,20	6,07	4,60							
	2,66	526	280	9,20	6,07	4,60							

* Caution, do not exceed the maximum drive power P_{1max} according to the Typ W column.

$\frac{kg}{kg}$	W	IEC 63	IEC 71	IEC 80	IEC 90	IEC 100	IEC 112	IEC 132
SK 672.1	24	23	23	23	23	24	24	26



	i_{Total}	n_2 $n_1 =$ 1400 r/min [r/min]	M_{2max} $f_B = 1$ [Nm]	W			IEC							
				P_{1max}			$f_B \Rightarrow$ B4-57							
				$n_1 =$ 1400 r/min [kW]	$n_1 =$ 930 r/min [kW]	$n_1 =$ 700 r/min [kW]	IEC 63	IEC 71	IEC 80	IEC 90	IEC 100	IEC 112	IEC 132	
SK 673.1	362,43	3,9	640	0,26	0,17	0,13		*	*	*				
	332,23	4,2	640	0,28	0,19	0,14		*	*	*				
	304,61	4,6	640	0,31	0,20	0,15		*	*	*				
W	279,23	5,0	640	0,34	0,22	0,17		*	*	*				
	248,20	5,6	640	0,38	0,25	0,19			*	*				
$\frac{H}{mm}$	220,32	6,4	640	0,43	0,28	0,21			*	*				
\Rightarrow B107	219,00	6,4	640	0,43	0,28	0,21			*	*				
	194,11	7,2	640	0,48	0,32	0,24			*	*				
	181,88	7,7	640	0,52	0,34	0,26			*	*				
	177,94	7,9	640	0,53	0,35	0,26			*	*				
	161,45	8,7	640	0,58	0,38	0,29			*	*				
IEC	146,88	9,5	640	0,64	0,42	0,32			*	*				
	143,30	9,8	640	0,66	0,43	0,33			*	*				
$\frac{H}{mm}$	134,64	10	640	0,67	0,44	0,34			*	*				
\Rightarrow B117	130,55	11	640	0,74	0,49	0,37			*	*				
	123,33	11	640	0,74	0,49	0,37			*	*				
	115,89	12	640	0,80	0,53	0,40				*				
	103,48	14	640	0,94	0,62	0,47				*				
	94,86	15	640	1,01	0,66	0,50				*				
	83,70	17	640	1,14	0,75	0,57				*				
	73,64	19	640	1,27	0,84	0,64				*				
	65,95	21	640	1,41	0,93	0,70				*				
	60,45	23	640	1,54	1,02	0,77								
	55,12	25	640	1,68	1,11	0,84					*	*		
	49,50	28	640	1,88	1,24	0,94					*	*		
	44,85	31	640	2,08	1,37	1,04					*	*		
	41,54	34	640	2,28	1,50	1,14					*	*	*	
	37,23	38	640	2,55	1,68	1,27					*	*	*	
	34,12	41	600	2,58	1,70	1,29					*	*	*	
	30,92	45	530	2,50	1,65	1,25					*	*	*	
	27,61	51	520	2,78	1,83	1,39					*	*	*	
	25,19	56	500	2,93	1,94	1,47					*	*	*	
	22,82	61	450	2,87	1,90	1,44					*	*	*	

NORDBLOC.1
Helical gear unit

* Caution, do not exceed the maximum drive power P_{1max} according to the Typ W column.

kg	W	IEC 63	IEC 71	IEC 80	IEC 90	IEC 100	IEC 112	IEC 132
SK 673.1	25	24	24	24	24	25	25	27

SK 772.1



NORDBLOC.1
Helical gear unit

	i_{Total}	n_2 $n_1 =$ 1400 r/min [r/min]	M_{2max} $f_B = 1$ [Nm]	W			IEC					
				P_{1max}			$f_B \Rightarrow$ B4-57					
				$n_1 =$ 1400 r/min [kW]	$n_1 =$ 930 r/min [kW]	$n_1 =$ 700 r/min [kW]	IEC 71	IEC 80	IEC 90	IEC 100	IEC 112	IEC 132
SK 772.1	26,86	52	820	4,46	2,95	2,23						
	24,41	57	820	4,89	3,23	2,45						
	20,31	69	820	5,92	3,91	2,96						*
W	18,46	76	780	6,21	4,10	3,10						*
$\frac{L}{mm}$	16,66	84	770	6,77	4,47	3,39						*
\Rightarrow B107	15,62	90	760	7,16	4,73	3,58						*
	14,38	97	720	7,31	4,83	3,66						*
	13,07	107	700	7,84	5,18	3,92						*
	11,67	120	690	8,67	5,72	4,34						*
	11,06	127	690	9,18	6,06	4,59						*
IEC, AI	10,60	132	680	9,40	6,20	4,70						
	10,00	140	680	9,97	6,58	4,98						
$\frac{L}{mm}$	8,97	156	660	10,78	7,12	5,39						
\Rightarrow B118	8,12	172	640	11,53	7,61	5,76						
	7,63	183	620	11,88	7,84	5,94						
	6,63	211	600	13,26	8,75	6,63						
	6,19	226	580	13,73	9,06	6,86						
	5,38	260	570	15,00	9,90	7,50						
	4,71	297	560	15,00	9,90	7,50						
	4,42	317	540	15,00	9,90	7,50						
	3,84	365	530	15,00	9,90	7,50						
	3,59	390	490	15,00	9,90	7,50						
	3,12	449	485	15,00	9,90	7,50						

* Caution, do not exceed the maximum drive power P_{1max} according to the Typ W column.

kg	W	IEC 71	IEC 80	IEC 90	IEC 100	IEC 112	IEC 132
SK 772.1	42	40	44	44	48	48	57



	i_{Total}	n_2 $n_1 =$ 1400 r/min	M_{2max} $f_B = 1$ [Nm]	W			IEC						
				P_{1max}			$f_B \Rightarrow B4-57$						
				$n_1 =$ 1400 r/min	$n_1 =$ 930 r/min	$n_1 =$ 700 r/min	IEC 71	IEC 80	IEC 90	IEC 100	IEC 112	IEC 132	
SK 773.1	395,46	3,5	850	0,31	0,21	0,16	*	*					
	341,21	4,1	850	0,36	0,24	0,18	*	*					
	334,70	4,2	870	0,38	0,25	0,19		*					
W	307,42	4,6	850	0,41	0,27	0,20		*	*				
	288,78	4,8	850	0,43	0,28	0,21		*					
$\frac{H}{mm}$	265,24	5,3	850	0,47	0,31	0,24		*	*				
$\Rightarrow B107$	260,18	5,4	870	0,49	0,32	0,25		*	*				
	243,53	5,7	850	0,51	0,33	0,25		*					
	224,49	6,2	850	0,55	0,36	0,28		*	*				
	206,11	6,8	870	0,62	0,41	0,31		*					
IEC, AI	189,31	7,4	850	0,66	0,43	0,33		*	*				
	178,53	7,8	850	0,69	0,46	0,35		*					
$\frac{H}{mm}$	160,22	8,7	870	0,79	0,52	0,40			*				
$\Rightarrow B118$	151,10	9,3	700	0,68	0,45	0,34							
	138,78	10	850	0,89	0,59	0,45			*				
	117,46	12	870	1,09	0,72	0,55			*				
	111,92	13	850	1,16	0,76	0,58			*	*	*		
	96,57	14	850	1,25	0,82	0,62			*	*	*		
	93,61	15	850	1,34	0,88	0,67			*	*	*		
	83,32	17	850	1,51	1,00	0,76				*	*	*	
	79,23	18	870	1,64	1,08	0,82				*	*	*	
	71,89	19	850	1,69	1,12	0,85				*	*	*	
	68,92	20	850	1,78	1,17	0,89				*	*	*	
	63,42	22	850	1,96	1,29	0,98				*	*	*	
	57,64	24	850	2,14	1,41	1,07				*	*	*	
	51,31	27	850	2,40	1,59	1,20				*	*	*	
	47,61	29	870	2,64	1,74	1,32				*	*	*	
	43,43	32	870	2,92	1,92	1,46				*	*	*	
	39,06	36	850	3,20	2,11	1,60				*	*	*	
	35,77	39	820	3,35	2,21	1,67				*	*	*	
	31,83	44	820	3,78	2,49	1,89				*	*	*	
	28,63	49	820	4,21	2,78	2,10				*	*	*	
	25,39	55	820	4,72	3,12	2,36				*	*	*	
	24,23	58	760	4,62	3,05	2,31				*	*	*	
	21,49	65	750	5,10	3,37	2,55				*	*	*	

* Caution, do not exceed the maximum drive power P_{1max} according to the Typ W column.

NORDBLOC.1
Helical gear unit

$\frac{kg}{kg}$	W	IEC 71	IEC 80	IEC 90	IEC 100	IEC 112	IEC 132
SK 773.1	44	42	46	46	50	50	59

SK 872.1



NORDBLOC.1
Helical gear unit

	i_{Total}	n_2 $n_1 =$ 1400 r/min [r/min]	M_{2max} $f_B = 1$ [Nm]	W			IEC						
				P_{1max}			$f_B \Rightarrow$ B4-57						
				$n_1 =$ 1400 r/min [kW]	$n_1 =$ 930 r/min [kW]	$n_1 =$ 700 r/min [kW]	IEC 90	IEC 100	IEC 112	IEC 132	AI 160	AI 180	
SK 872.1	42,67	33	1400	4,84	3,19	2,42				*			
	38,77	36	1300	4,90	3,23	2,45				*			
	35,08	40	1200	5,03	3,32	2,51				*			
W	32,00	44	1600	7,37	4,87	3,69				*			
$\frac{H}{mm}$	29,08	48	1560	7,84	5,17	3,92				*			
\Rightarrow B107	25,44	55	1600	9,21	6,08	4,61				*			
	23,02	61	1560	9,96	6,58	4,98				*			
	18,67	75	1540	12,09	7,98	6,05				*			
	16,96	83	1540	13,38	8,83	6,69				*			
	15,18	92	1470	14,16	9,35	7,08				*	*		
IEC, AI	13,79	102	1470	15,70	10,36	7,85				*	*		
$\frac{H}{mm}$	12,48	112	1470	17,24	11,38	8,62				*	*		
\Rightarrow B119	11,24	125	1400	18,32	12,09	9,16				*	*		
	10,44	134	1400	19,64	12,97	9,82				*	*		
	9,24	152	1380	21,96	14,50	10,98				*	*		
	8,87	158	1340	22,00	14,52	11,00							
	7,73	181	1300	22,00	14,52	11,00							
	6,57	213	1230	22,00	14,52	11,00							
	5,66	247	1150	22,00	14,52	11,00							
	5,50	255	1150	22,00	14,52	11,00							
	4,68	299	1100	22,00	14,52	11,00							
	4,03	347	900	22,00	14,52	11,00							
	3,69	379	880	22,00	14,52	11,00							
	3,18	440	840	22,00	14,52	11,00							

* Caution, do not exceed the maximum drive power P_{1max} according to the Typ W column.

	W	IEC 90	IEC 100	IEC 112	IEC 132	AI 160	AI 180
SK 872.1	87	82	89	89	103	102	102



	i_{Total}	n_2 $n_1 =$ 1400 r/min [r/min]	M_{2max} $f_B = 1$ [Nm]	W			IEC						
				P_{1max}			$f_B \Rightarrow$ B4-57						
				$n_1 =$ 1400 r/min [kW]	$n_1 =$ 930 r/min [kW]	$n_1 =$ 700 r/min [kW]	IEC 90	IEC 100	IEC 112	IEC 132	AI 160	AI 180	
SK 873.1	439,77	3,2	1700	0,57	0,38	0,28	*						
	399,60	3,5	1700	0,62	0,41	0,31	*						
	383,39	3,7	1700	0,66	0,43	0,33	*						
W	348,37	4,0	1700	0,71	0,47	0,36	*						
	315,19	4,4	1700	0,78	0,52	0,39	*						
$\frac{H}{mm}$	284,73	4,9	1700	0,87	0,58	0,44	*	*	*				
\Rightarrow B107	257,61	5,4	1700	0,96	0,63	0,48	*	*	*				
	232,16	6,0	1700	1,07	0,70	0,53	*						
	210,95	6,6	1700	1,17	0,78	0,59	*						
	190,86	7,3	1700	1,30	0,86	0,65							
	165,42	8,5	1700	1,51	1,00	0,76		*	*				
IEC, AI	150,31	9,3	1700	1,66	1,09	0,83		*	*				
	135,99	10	1700	1,78	1,17	0,89		*	*				
$\frac{H}{mm}$	127,52	11	1700	1,96	1,29	0,98		*	*	*			
\Rightarrow B119	115,88	12	1700	2,14	1,41	1,07		*	*	*			
	104,84	13	1700	2,31	1,53	1,16		*	*	*			
	101,02	14	1700	2,49	1,64	1,25			*	*			
	91,43	15	1700	2,67	1,76	1,34			*	*	*		
	83,08	17	1700	3,03	2,00	1,51			*	*	*		
	74,29	19	1700	3,38	2,23	1,69			*	*	*	*	
	67,50	21	1700	3,74	2,47	1,87			*	*	*	*	
	61,07	23	1700	4,09	2,70	2,05			*	*	*	*	
	55,35	25	1700	4,45	2,94	2,23			*	*	*	*	
	50,32	28	1700	4,98	3,29	2,49			*	*	*	*	
	45,53	31	1700	5,52	3,64	2,76			*	*	*	*	
	39,68	35	1700	6,23	4,11	3,12			*	*	*	*	
	35,63	39	1700	6,94	4,58	3,47			*	*	*	*	
	32,24	43	1700	7,65	5,05	3,83			*	*	*	*	
	30,47	46	1680	8,09	5,34	4,05			*	*	*	*	
	27,57	51	1650	8,81	5,82	4,41			*	*	*	*	
	25,69	54	1650	9,33	6,16	4,66			*	*	*	*	
	23,49	60	1650	10,37	6,84	5,18			*	*	*	*	
	21,38	65	1600	10,89	7,19	5,45			*	*	*	*	
	19,34	72	1600	12,06	7,96	6,03			*	*	*	*	

NORDBLOC.1
Helical gear unit

* Caution, do not exceed the maximum drive power P_{1max} according to the Typ W column.

	W	IEC 90	IEC 100	IEC 112	IEC 132	AI 160	AI 180
SK 873.1	89	84	91	91	105	104	104

SK 972.1



NORDBLOC.1
Helical gear unit

	i_{Total}	n_2	M_{2max}	W			IEC									
				$n_1 = 1400 \text{ r/min}$ [r/min]	$f_B = 1$	P_{1max}	$f_B \geq 1$			$f_B \Rightarrow B4-57$						
							$n_1 = 1400 \text{ r/min}$	$n_1 = 930 \text{ r/min}$	$n_1 = 700 \text{ r/min}$							
										IEC 90	IEC 100	IEC 112	IEC 132	AI 160	AI 180	AI 200
SK 972.1	42,76	33	2900	10,02	6,61	5,01										
	37,19	38	2900	11,54	7,62	5,77					*					
	33,36	42	2900	12,75	8,42	6,38					*					
W	30,29	46	2800	13,49	8,90	6,74					*					
$\frac{H}{mm}$	27,66	51	2600	13,88	9,16	6,94					*					
$\Rightarrow B107$	23,19	60	2300	14,45	9,54	7,23					*					
	21,99	64	2800	18,76	12,38	9,38						*				
	19,72	71	2800	20,82	13,74	10,41							*			
	17,65	79	2800	23,16	15,29	11,58										
	15,84	88	2740	25,25	16,66	12,62										
	14,16	99	2670	27,68	18,27	13,84									*	
IEC, AI	13,56	103	2610	28,15	18,58	14,07									*	
	12,86	109	2610	29,79	19,66	14,89									*	
$\frac{H}{mm}$	11,54	121	2520	31,93	21,07	15,96										
$\Rightarrow B120$	10,35	135	2480	35,06	23,14	17,53										
	9,40	149	2480	37,00	24,42	18,50										
	8,45	166	2350	37,00	24,42	18,50										
	7,19	195	2250	37,00	24,42	18,50										
	6,68	210	2240	37,00	24,42	18,50										
	6,17	227	2080	37,00	24,42	18,50										
	5,25	267	2000	37,00	24,42	18,50										
	4,56	307	2000	37,00	24,42	18,50										
	3,74	374	1825	37,00	24,42	18,50										
	3,33	420	1700	37,00	24,42	18,50										

* Caution, do not exceed the maximum drive power P_{1max} according to the Typ W column.

$\frac{kg}{kg}$	W	IEC 90	IEC 100	IEC 112	IEC 132	AI 160	AI 180	AI 200
SK 972.1	126	121	128	128	142	141	141	159



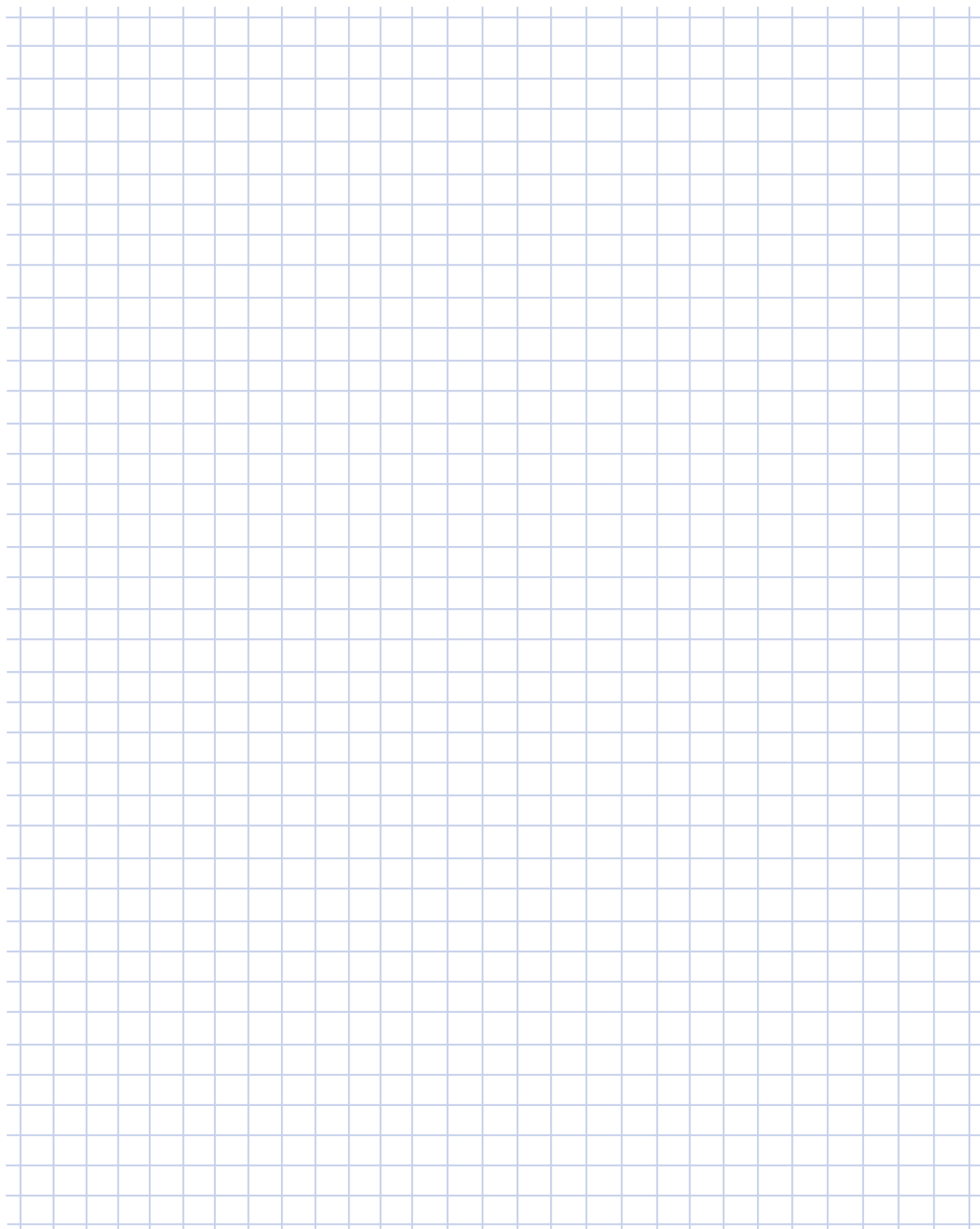
	i_{Total}	n_2 $n_1 =$ 1400 r/min [r/min]	M_{2max} $f_B = 1$ [Nm]	W			IEC							
				P_{1max}			$f_B \Rightarrow$ B4-57							
				$n_1 =$ 1400 r/min [kW]	$n_1 =$ 930 r/min [kW]	$n_1 =$ 700 r/min [kW]	IEC 90	IEC 100	IEC 112	IEC 132	AI 160	AI 180		
SK 973.1	456,77	3,1	3300	1,07	0,71	0,54	*							
	414,73	3,4	3300	1,17	0,78	0,59	*							
	362,89	3,9	3300	1,35	0,89	0,67	*							
W	325,47	4,3	3300	1,49	0,98	0,74	*	*	*					
$\frac{H}{mm}$	295,50	4,7	3300	1,62	1,07	0,81		*	*					
\Rightarrow B107	234,77	6,0	3300	2,07	1,37	1,04		*	*					
	197,50	7,1	3300	2,45	1,62	1,23		*	*					
	179,32	7,8	3300	2,70	1,78	1,35		*	*					
	173,58	8,1	3000	2,54	1,68	1,27		*	*					
IEC, AI	157,60	8,9	3000	2,80	1,85	1,40		*	*					
$\frac{H}{mm}$	132,45	11	3300	3,80	2,51	1,90			*	*				
$\frac{H}{mm}$	120,26	12	3300	4,15	2,74	2,07			*	*				
\Rightarrow B120	105,23	13	3200	4,36	2,87	2,18			*	*				
	94,96	15	3300	5,18	3,42	2,59			*	*	*			
	86,22	16	3300	5,53	3,65	2,76			*	*	*			
	77,16	18	3300	6,22	4,11	3,11			*	*	*	*		
	75,44	19	3300	6,57	4,33	3,28			*	*	*	*		
	68,50	20	3300	6,91	4,56	3,46			*	*	*	*		
	65,98	21	3200	7,04	4,64	3,52			*	*	*	*	*	
	59,91	23	3200	7,71	5,09	3,85			*	*	*	*	*	
	55,66	25	3200	8,38	5,53	4,19			*	*	*	*	*	
	52,32	27	3200	9,05	5,97	4,52			*	*	*	*	*	
	47,60	29	3200	9,72	6,41	4,86			*	*	*	*	*	
	42,51	33	3200	11,06	7,30	5,53			*	*	*	*	*	
	37,36	37	3200	12,40	8,18	6,20			*	*	*	*	*	
	35,19	40	3200	13,40	8,85	6,70			*	*	*	*	*	
	31,95	44	3200	14,74	9,73	7,37			*	*	*	*	*	
	30,97	45	3100	14,61	9,64	7,30			*	*	*	*	*	
	27,22	51	3000	16,02	10,57	8,01			*	*	*	*	*	
	25,51	55	3000	17,28	11,40	8,64			*	*	*	*	*	
	22,42	62	2800	18,18	12,00	9,09			*	*	*	*	*	

* Caution, do not exceed the maximum drive power P_{1max} according to the Typ W column.

NORDBLOC.1
Helical gear unit

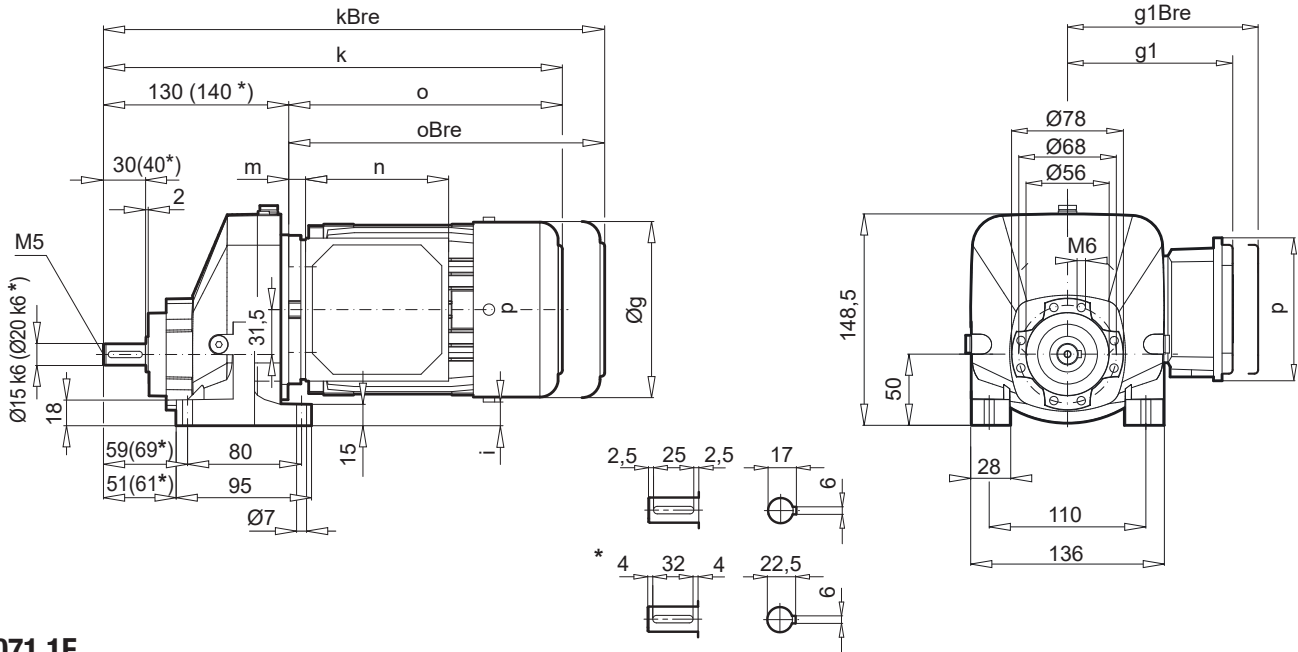
kg	W	IEC 90	IEC 100	IEC 112	IEC 132	AI 160	AI 180
SK 973.1	121	116	123	123	137	136	136

Notes

A large grid area for taking notes, consisting of a 20x20 grid of small squares.

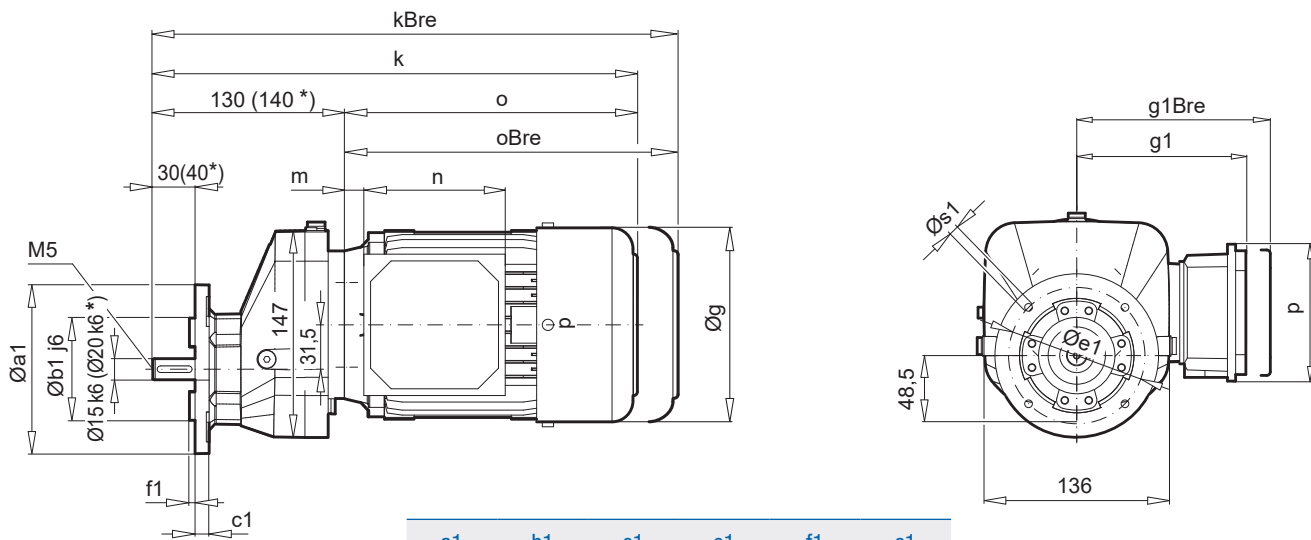


SK 071.1XZ



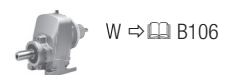
NORDBLOC.1
Helical gear unit

SK 071.1F



a1	b1	c1	e1	f1	s1
120	80	8	100	3,0	4 x 6,6
140	95	8	115	3,0	4 x 9
160	110	10	130	3,5	4 x 9

± ⇄ A60	63 SP/LP	71 SP/LP	80 SP/LP	90 SP
g	130	145	165	183
g1 / g1Bre	115 / 123	124 / 133	142 / 142	147 / 147
* k / kBre	322 / 378	344 / 402	366 / 430	406 / 481
o / oBre	192 / 248	214 / 272	236 / 300	276 / 351
m / mBre	12 / 18	20 / 26	22 / 26	26 / 30
n / nBre	100 / 134	100 / 134	114 / 153	114 / 153
p / pBre	100 / 89	100 / 89	114 / 108	114 / 108
i	16,5	9	0,3	-10,4

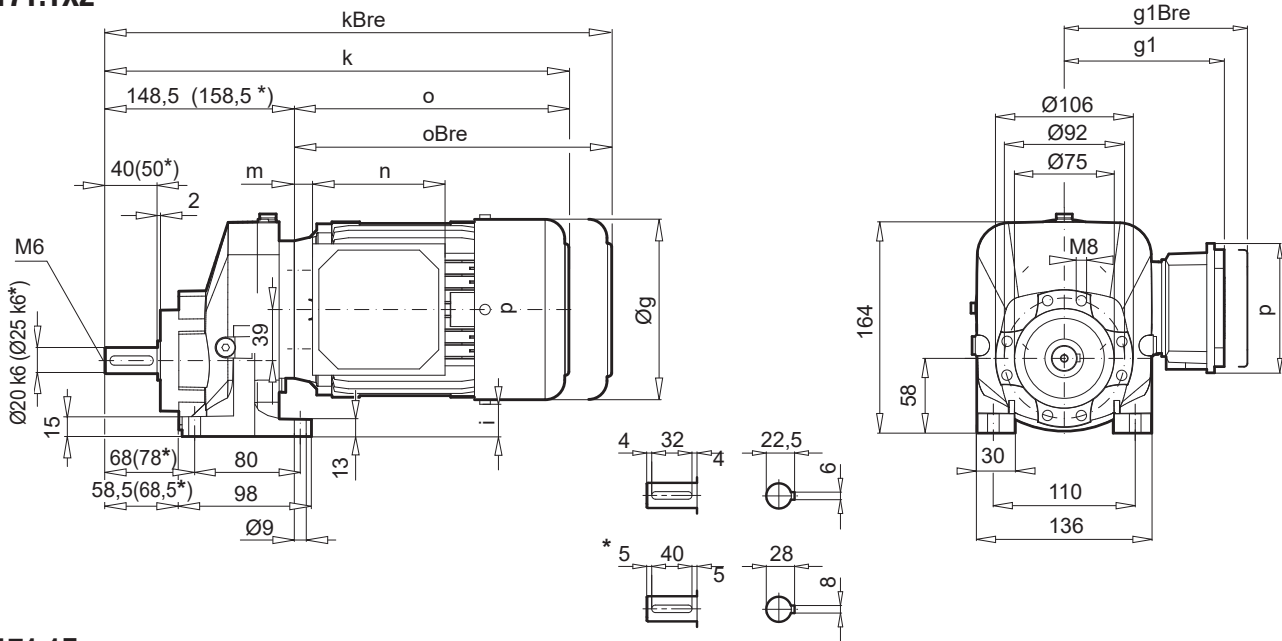


* + 10 mm

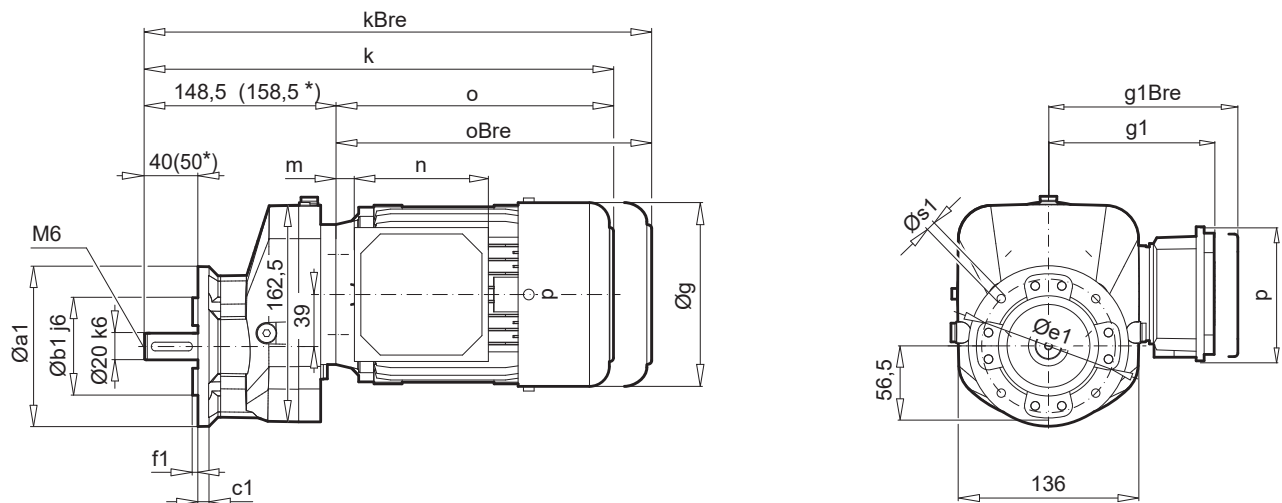
SK 171.1 SK 171.1F





SK 171.1XZ



SK 171.1F



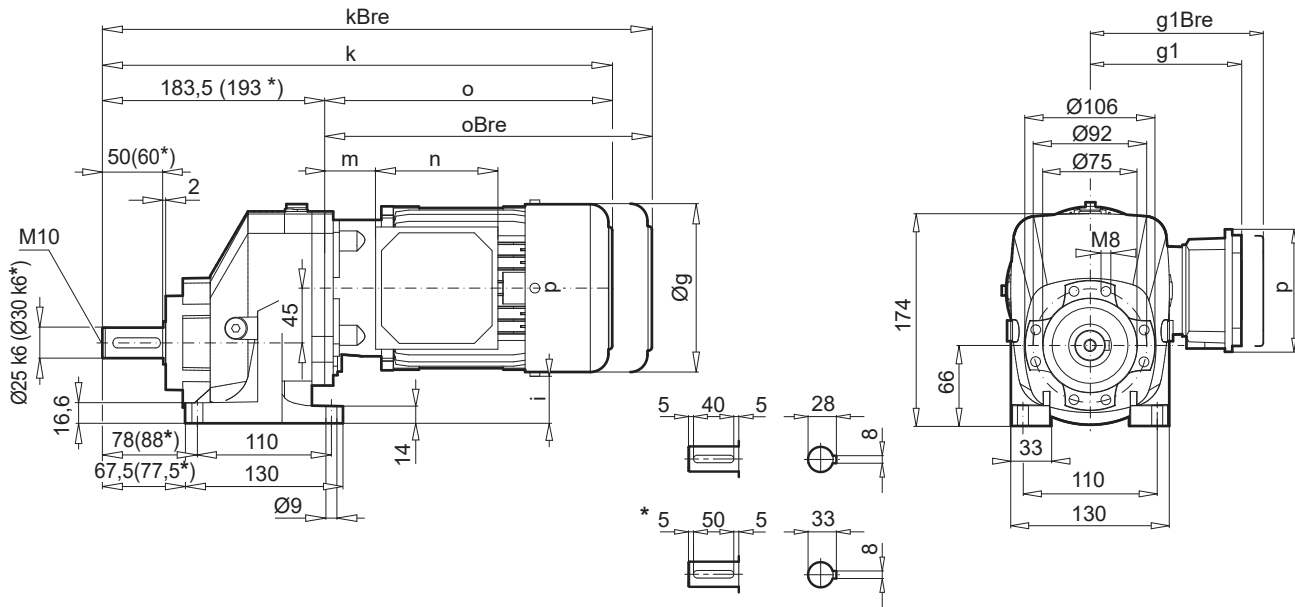
a1	b1	c1	e1	f1	s1
120	80	8	100	3,0	4 x 6,6
140	95	8	115	3,0	4 x 9
160	110	10	130	3,5	4 x 9
200	130	12	165	3,5	4 x 11

$\pm \Rightarrow$ A60	63 SP/LP	71 SP/LP	80 SP/LP	90 SP/LP	100 LP	
g	130	145	165	183	202	
g1 / g1Bre	115 / 123	124 / 133	142 / 142	147 / 147	169 / 172	 W \Rightarrow B106
* k / kBre	341 / 397	363 / 421	385 / 448	414 / 489	455 / 546	
o / oBre	192 / 248	214 / 272	236 / 300	276 / 351	306 / 397	
m / mBre	12 / 18	20 / 26	22 / 26	26 / 30	32 / 35	
n / nBre	100 / 134	100 / 134	114 / 153	114 / 153	114 / 153	
p / pBre	100 / 89	100 / 89	114 / 108	114 / 108	114 / 108	 IEC, NEMA \Rightarrow B108
i	32	25	15	5	-4	

* + 10 mm

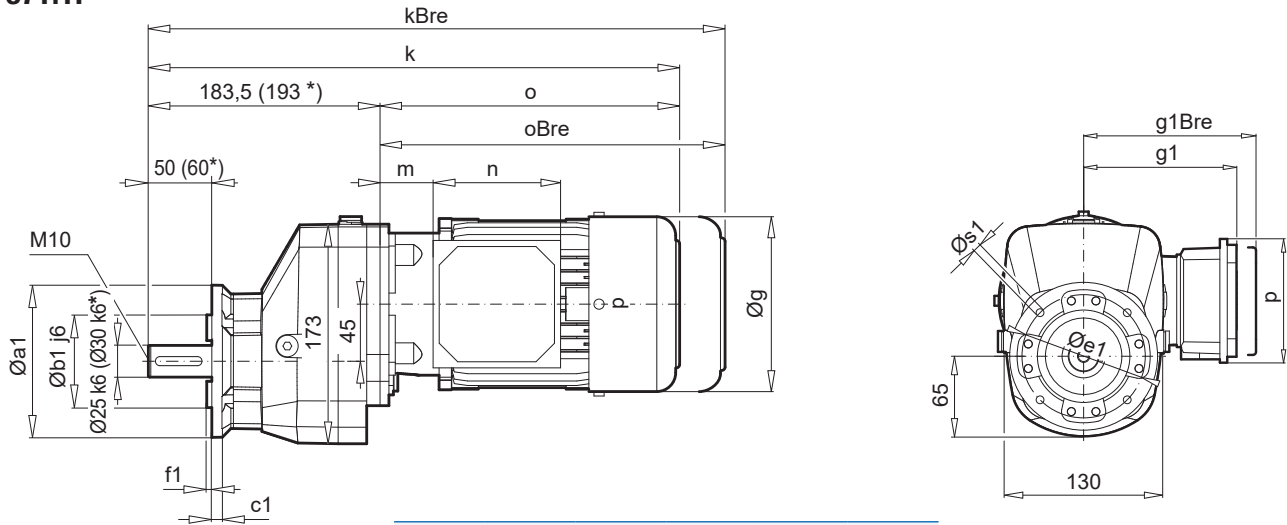


SK 371.1XZ



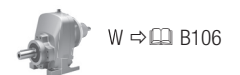
NORDBLOC.1
Helical gear unit

SK 371.1F



a1	b1	c1	e1	f1	s1
120	80	8	100	3,0	4 x 6,6
140	95	8	115	3,0	4 x 9
160	110	10	130	3,5	4 x 9
200	130	12	165	3,5	4 x 11

± ⇒ A60	63 SP/LP	71 SP/LP	80 SP/LP	90 SP/LP	100 LP/AP	112 MP
g	130	145	165	183	202	226
g1 / g1Bre	115 / 123	124 / 133	142 / 142	147 / 147	169 / 172	179 / 182
* k / kBre	379 / 435	419 / 477	444 / 508	485 / 560	515 / 606	548 / 632
o / oBre	196 / 252	236 / 294	261 / 325	302 / 377	332 / 423	355 / 448
m / mBre	16 / 22	42 / 49	47 / 51	52 / 56	58 / 62	64 / 67
n / nBre	100 / 134	100 / 134	114 / 153	114 / 153	114 / 153	114 / 153
p / pBre	100 / 89	100 / 89	114 / 108	114 / 108	114 / 108	114 / 108
i	46	38	29	19	10	1,8

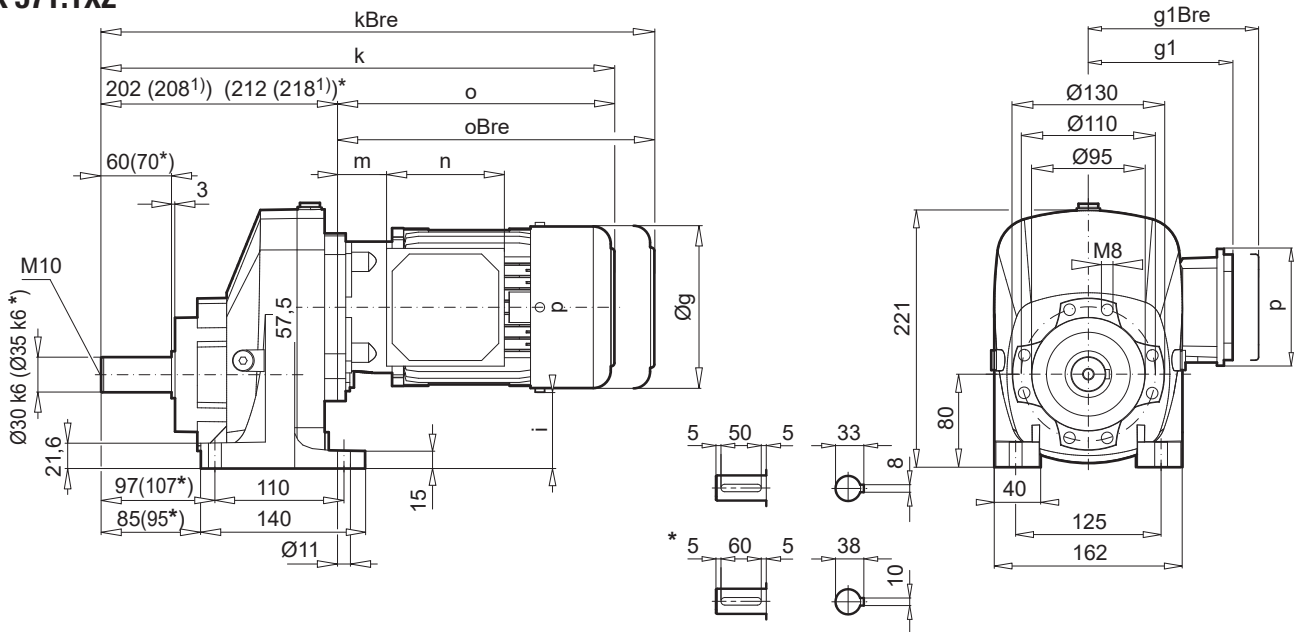


* + 10 mm

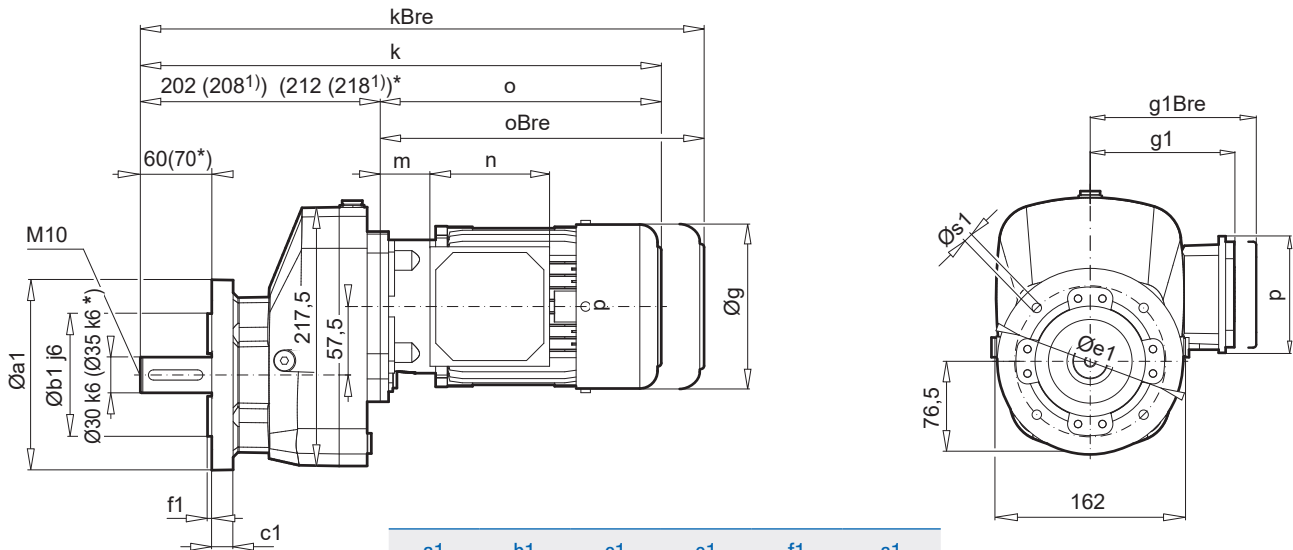
SK 571.1 SK 571.1F



SK 571.1XZ



SK 571.1F



a1	b1	c1	e1	f1	s1
160	110	10	130	3,5	4 x 9
200	130	12	165	3,5	4 x 11
250	180	15	215	3,5	4 x 13,5

$\pm \rightarrow$ A60	71 LP	80 SP/LP	90 SP/LP	100 LP/AP	112 MP	132 SP/MP ¹⁾
g	145	165	183	202	226	266
g1 / g1Bre	124 / 133	142 / 142	147 / 147	169 / 172	179 / 182	204 / 201
* k / kBre	438 / 496	463 / 527	504 / 579	534 / 625	582 / 676	643 / 750
o / oBre	236 / 294	261 / 325	302 / 377	332 / 423	380 / 474	435 / 542
m / mBre	42 / 49	47 / 51	52 / 56	58 / 62	64 / 67	71 / 62
n / nBre	100 / 134	114 / 153	114 / 153	114 / 153	114 / 153	122 / 185
p / pBre	100 / 89	114 / 108	114 / 108	114 / 108	114 / 108	122 / 139
i	65	55,5	45,5	36,5	24,5	5

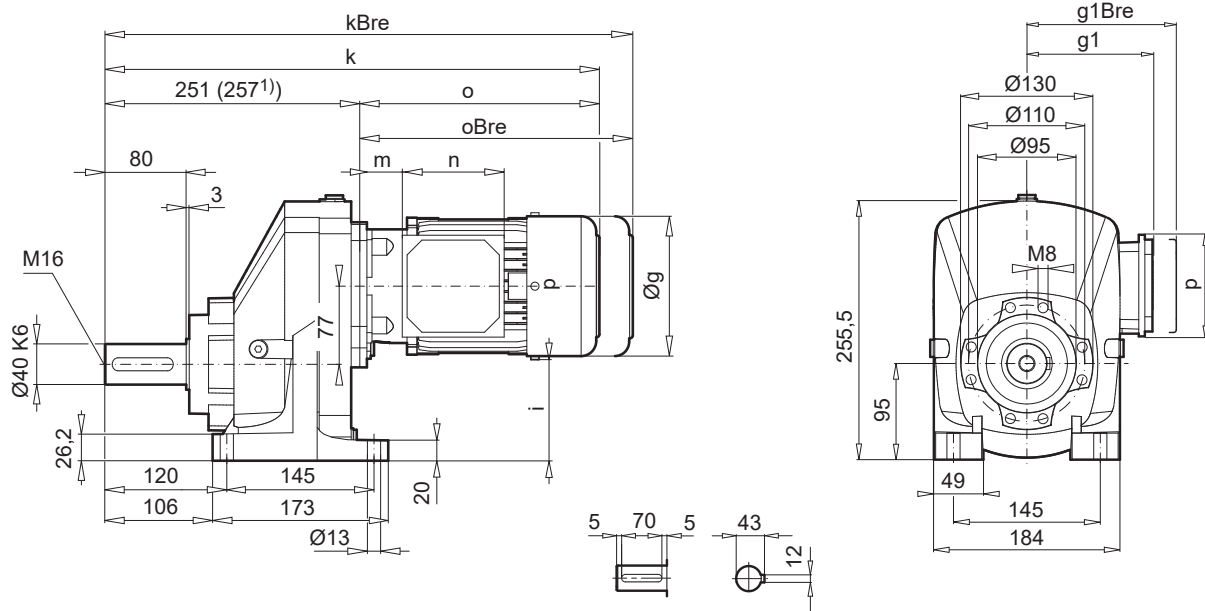


* + 10 mm

NORDBLOC.1
Helical gear unit

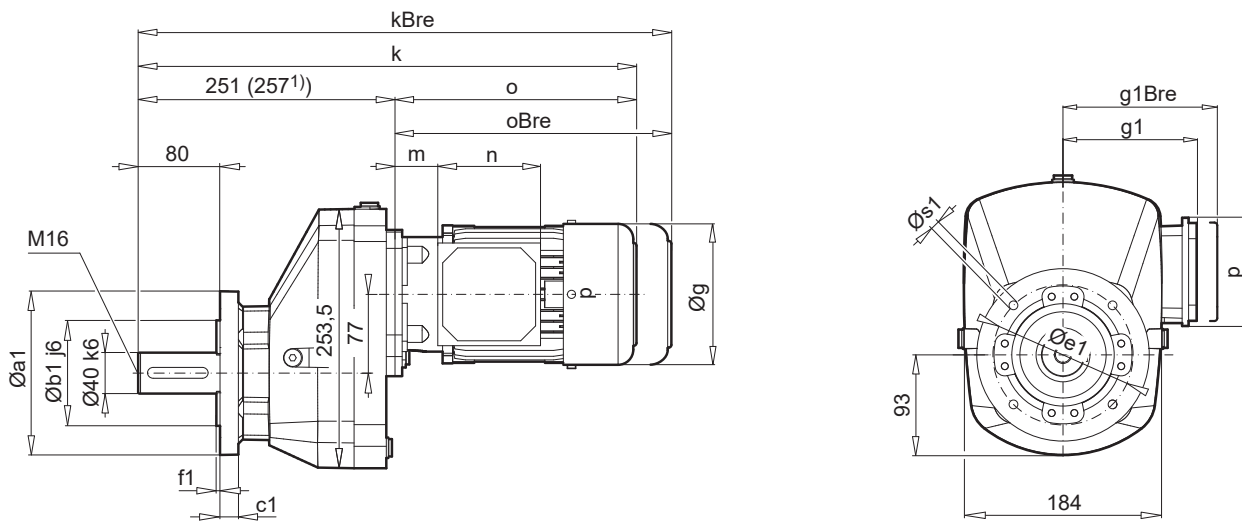


SK 771.1XZ



NORDBLOC.1
Helical gear unit

SK 771.1F



a1	b1	c1	e1	f1	s1
160	110	10	130	3,5	4 x 9
200	130	12	165	3,5	4 x 11
250	180	15	215	3,5	4 x 13,5

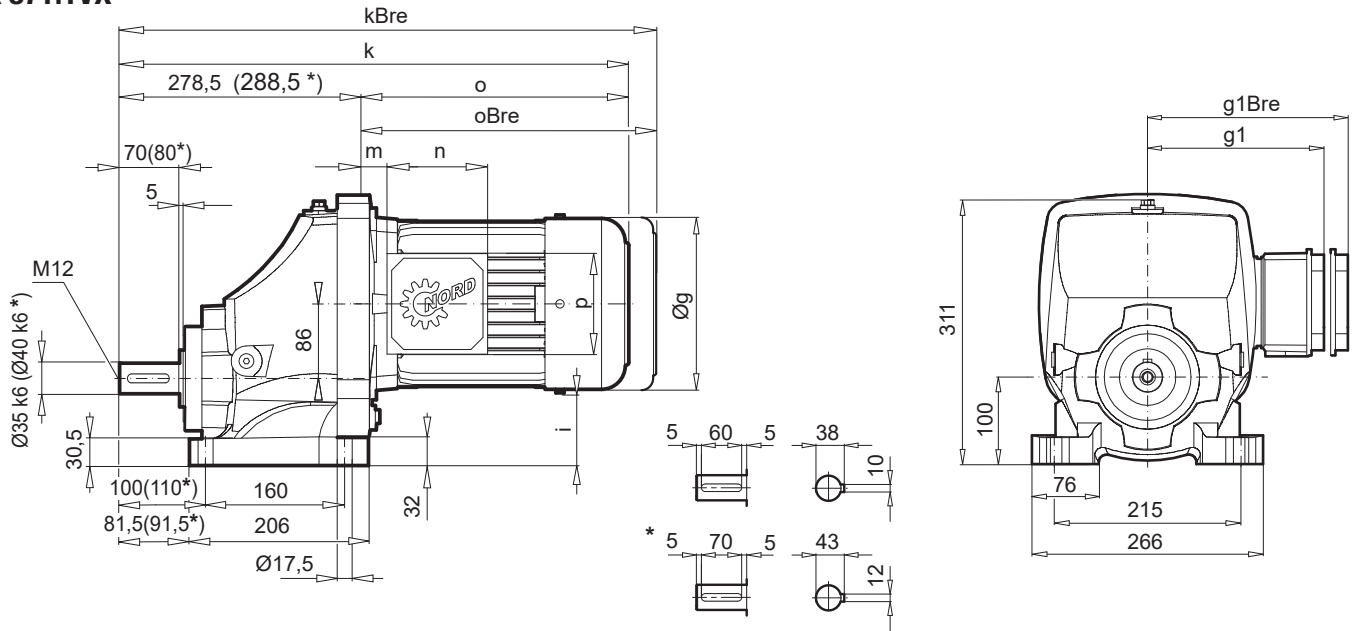
± ⇄ A60	71 SP/LP	80 SP/LP	90 SP/LP	100 LP/AP	112 MP	132 SP/MP ¹⁾
g	145	165	183	201	228	266
g1 / g1Bre	124 / 133	142 / 142	147 / 147	169 / 172	179 / 182	204 / 201
k / kBre	487 / 545	512 / 576	553 / 628	583 / 674	631 / 725	692 / 799
o / oBre	236 / 294	261 / 325	302 / 377	332 / 423	380 / 474	435 / 542
m / mBre	42 / 49	47 / 51	52 / 56	58 / 62	64 / 67	71 / 62
n / nBre	100 / 134	114 / 153	114 / 153	114 / 153	114 / 153	122 / 185
p / pBre	100 / 89	114 / 108	114 / 108	114 / 108	114 / 108	122 / 139
i	100	90	80	71	59	39,5



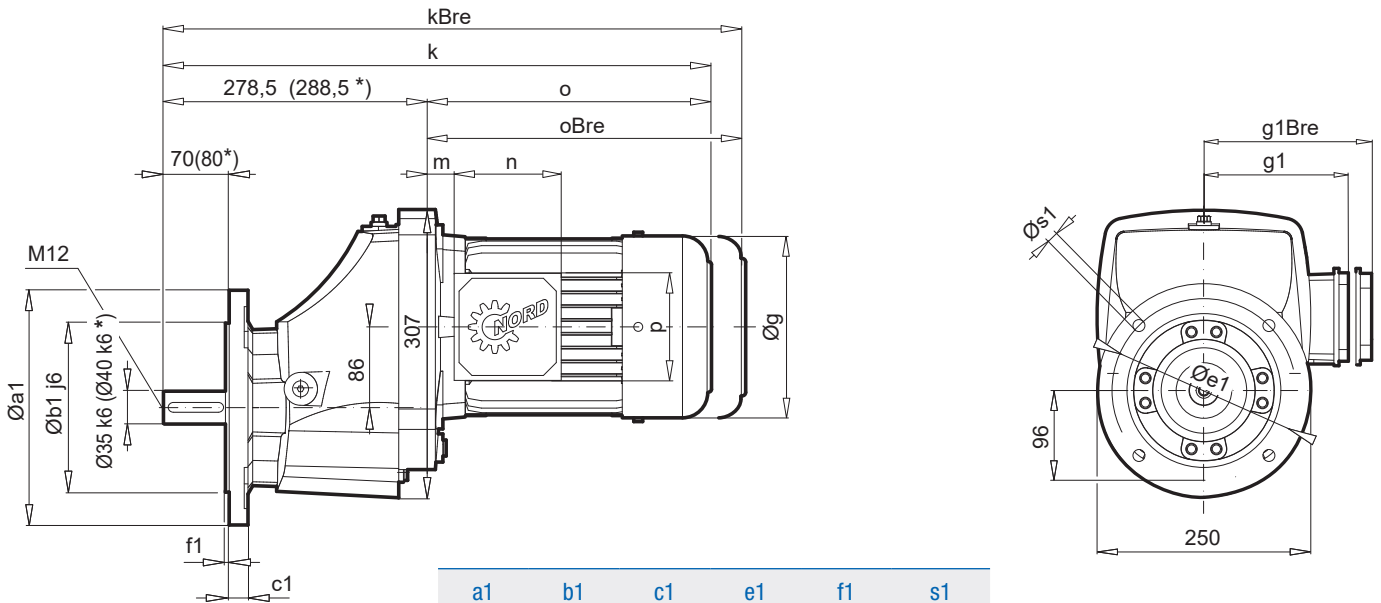
SK 871.1 SK 871.1F



SK 871.1VX



SK 871.1VF



a1	b1	c1	e1	f1	s1
250	180	20	215	4	4 x 14,0
300	230	20	265	4	4 x 14,0

± ⇄ A60	100 LP/AP	112 MP	132 SP/MP	160 SP/MP	160 LP	180 MP/LP
g	202	226	266	320	320	357
g1 / g1Bre	169 / 172	179 / 182	204 / 201	242 / 242	242 / 242	258 / 258
* k / kBre	585 / 676	608 / 702	694 / 801	771 / 906	815 / 950	915 / 1042
m / mBre	32 / 35	38 / 41	51 / 42	52 / 52	52 / 52	75 / 75
n / nBre	114 / 153	114 / 153	122 / 185	186 / 186	186 / 186	186 / 186
p / pBre	114 / 108	114 / 108	122 / 139	186 / 186	186 / 186	186 / 186
i	85	73	54	26,5	26,5	12

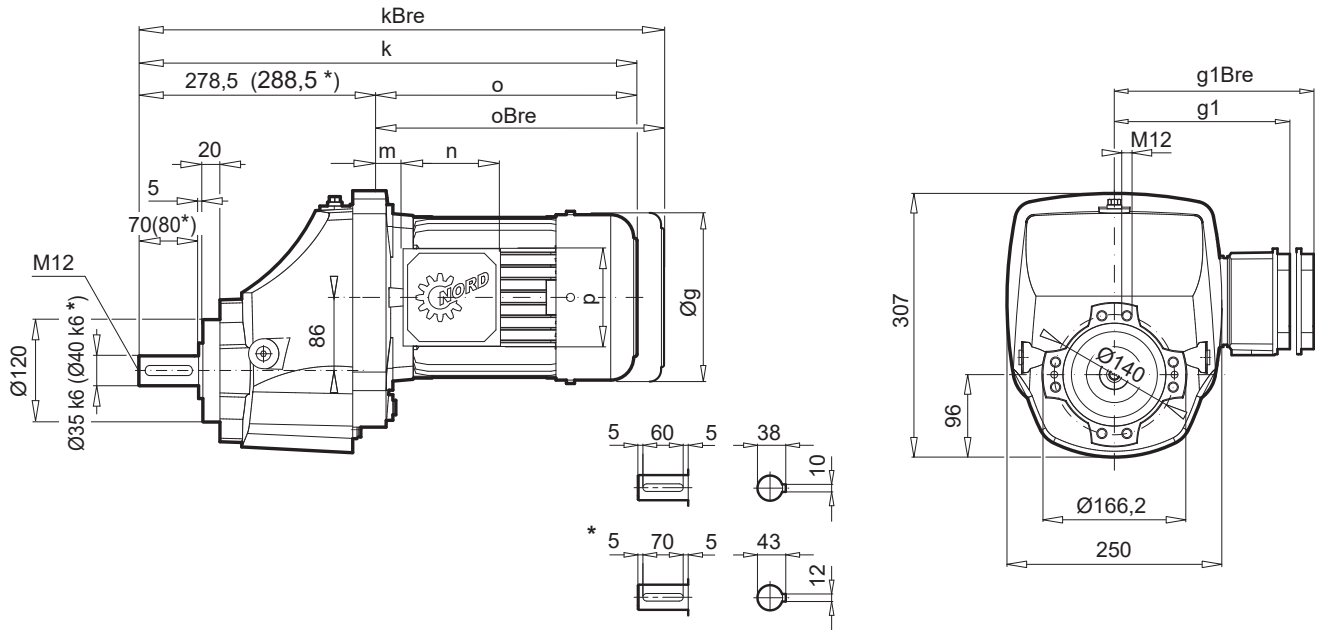
* + 10 mm



NORDBLOC.1
Helical gear unit



SK 871.1VZ



NORDBLOC.1
Helical gear unit

± ⇔ A60	100 LP/AP	112 MP	132 SP/MP	160 SP/MP	160 LP	180 MP/LP
g	202	226	266	320	320	357
g1 / g1Bre	169 / 172	179 / 182	204 / 201	242 / 242	242 / 242	258 / 258
* k / kBre	585 / 676	608 / 702	694 / 801	771 / 906	815 / 950	915 / 1042
o / oBre	306 / 397	329 / 423	415 / 522	492 / 627	536 / 671	636 / 764
m / mBre	32 / 35	38 / 41	51 / 42	52 / 52	52 / 52	75 / 75
n / nBre	114 / 153	114 / 153	122 / 185	186 / 186	186 / 186	186 / 186
p / pBre	114 / 108	114 / 108	122 / 139	186 / 186	186 / 186	186 / 186



W ⇔ B106



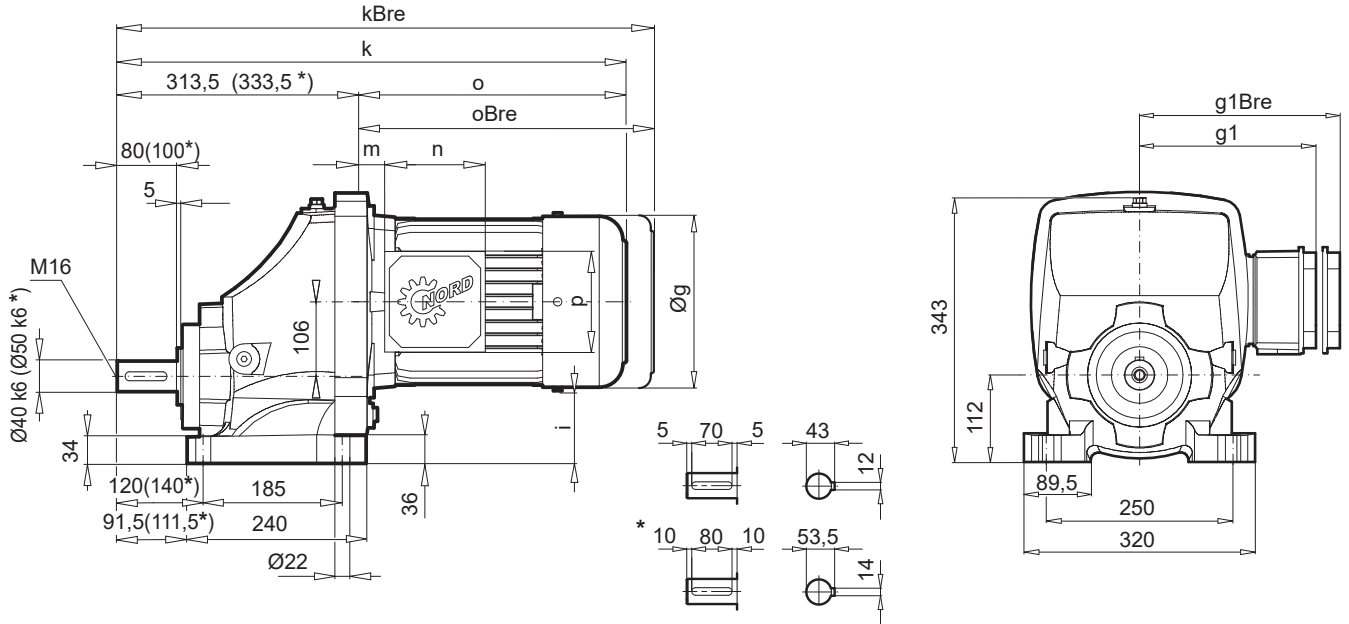
IEC, NEMA
⇔ B113

* + 10 mm

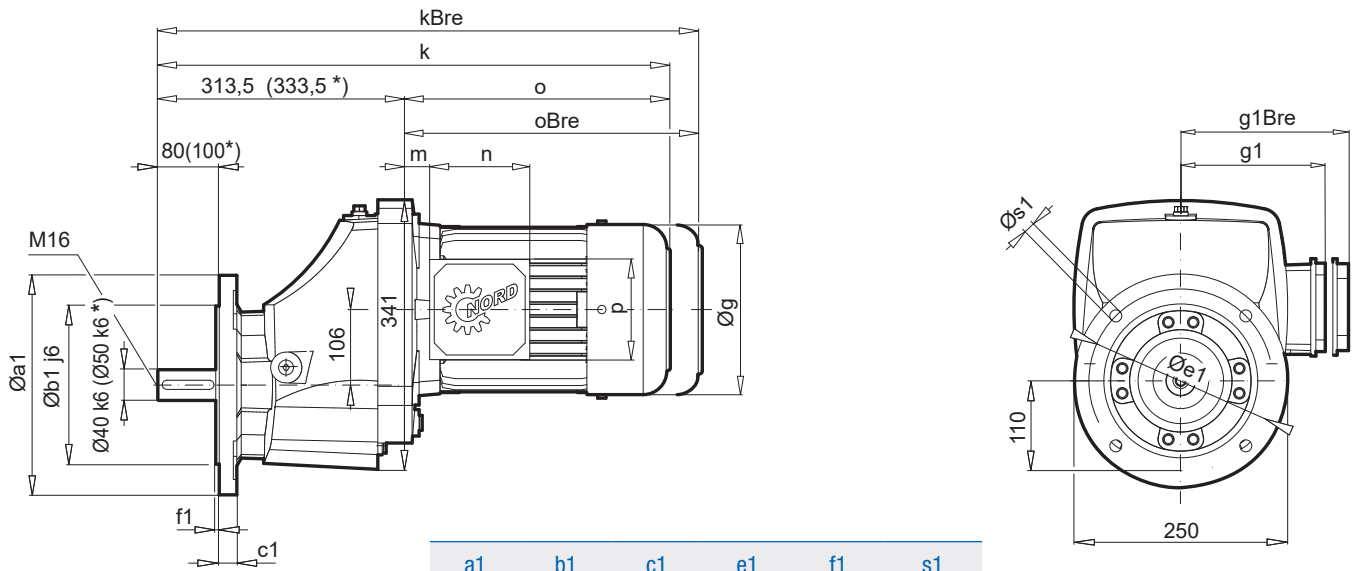
SK 971.1 SK 971.1F



SK 971.1VX

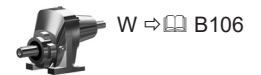


SK 971.1VF



a1	b1	c1	e1	f1	s1
300	230	20	265	4	4 x 17,5
350	250	20	300	5	4 x 17,5

± ⇨ A60	100 LP/AP	112 MP	132 SP/MP	160 SP/MP	160 LP	180 MP/LP	225 RP/SP
g	202	226	266	320	320	357	445
g1 / g1Bre	169 / 172	179 / 182	204 / 201	242 / 242	242 / 242	258 / 258	350 / 350
* k / kBre	620 / 711	643 / 737	729 / 836	806 / 941	850 / 985	950 / 1077	1056 / 1236
o / oBre	306 / 397	329 / 423	415 / 522	492 / 627	536 / 671	636 / 764	742 / 922
m / mBre	32 / 35	38 / 41	51 / 42	52 / 52	52 / 52	75 / 75	94 / 94
n / nBre	114 / 153	114 / 153	122 / 185	186 / 186	186 / 186	186 / 186	245 / 245
p / pBre	114 / 108	114 / 108	122 / 139	186 / 186	186 / 186	186 / 186	245 / 245
i	117	105	86	58,5	58,5	44	-5

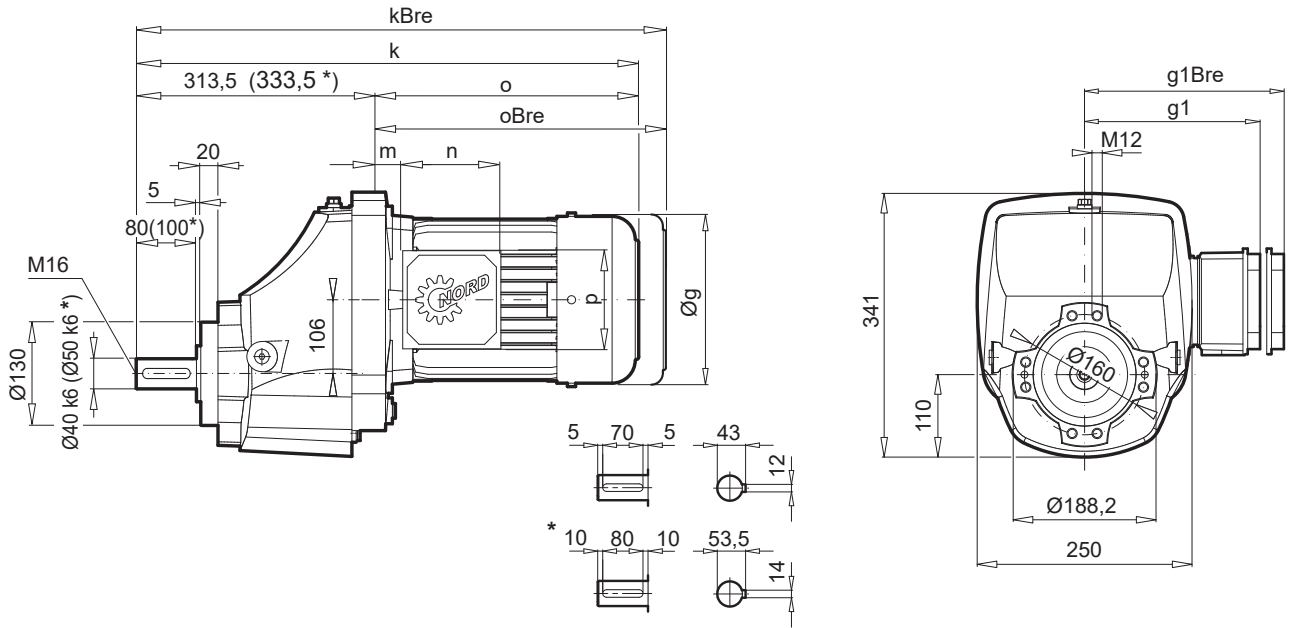


* + 20 mm

NORDBLOC.1
Helical gear unit



SK 971.1VZ



NORDBLOC.1
Helical gear unit

± ⇔ A60	100 LP/AP	112 MP	132 SP/MP	160 SP/MP	160 LP	180 MP/LP
g	202	226	266	320	320	357
g1 / g1Bre	169 / 172	179 / 182	204 / 201	242 / 242	242 / 242	258 / 258
* k / kBre	620 / 711	643 / 737	729 / 836	806 / 941	850 / 985	950 / 1077
o / oBre	306 / 397	329 / 423	415 / 522	492 / 627	536 / 671	636 / 764
m / mBre	32 / 35	38 / 41	51 / 42	52 / 52	52 / 52	75 / 75
n / nBre	114 / 153	114 / 153	122 / 185	186 / 186	186 / 186	186 / 186
p / pBre	114 / 108	114 / 108	122 / 139	186 / 186	186 / 186	186 / 186

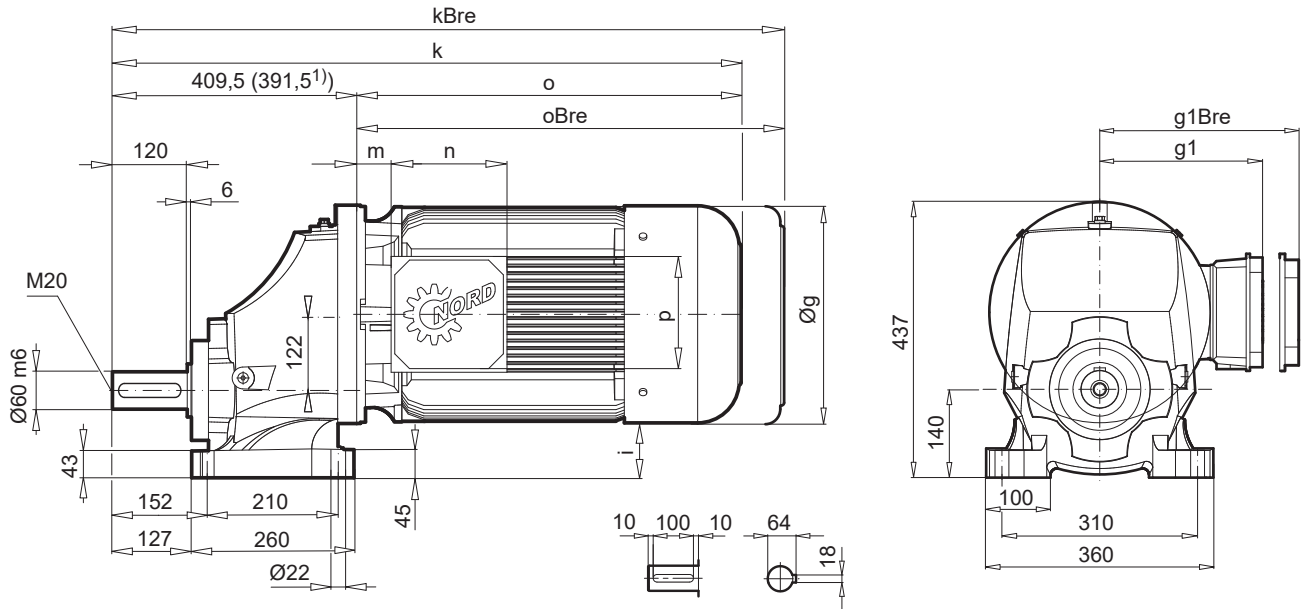


* + 20 mm

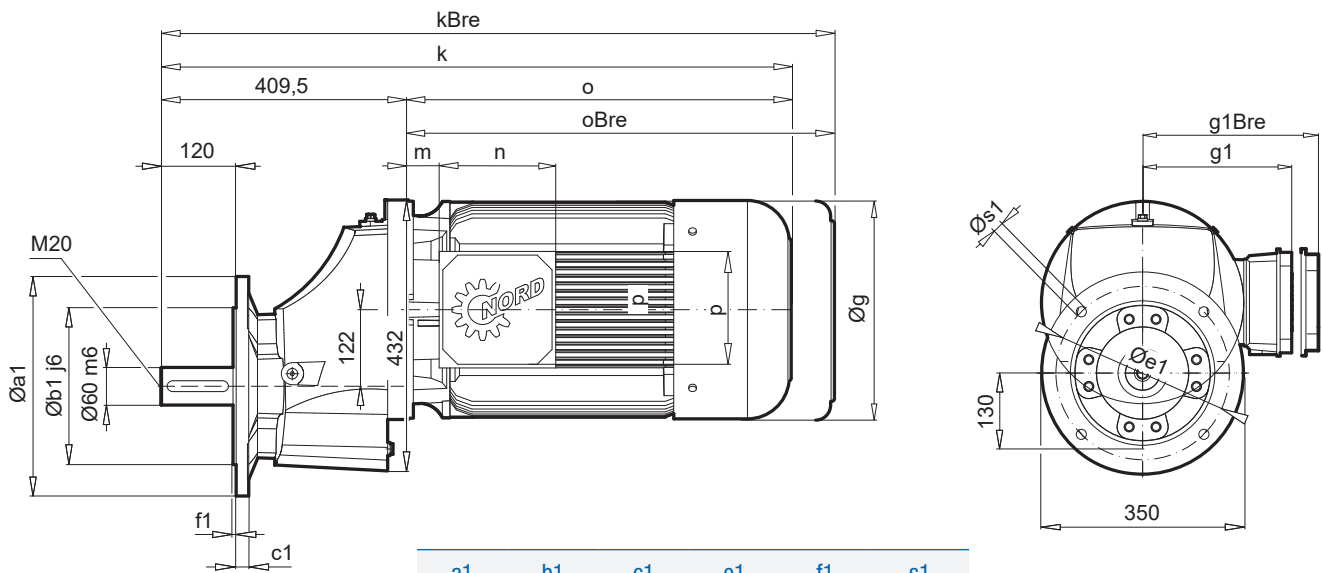
SK 1071.1 SK 1071.1F



SK 1071.1VX

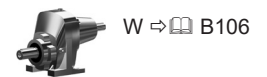


SK 1071.1VF



a1	b1	c1	e1	f1	s1
350	250	20	300	5	4 x 17,5
450	350	24	340	5	4 x 17,5

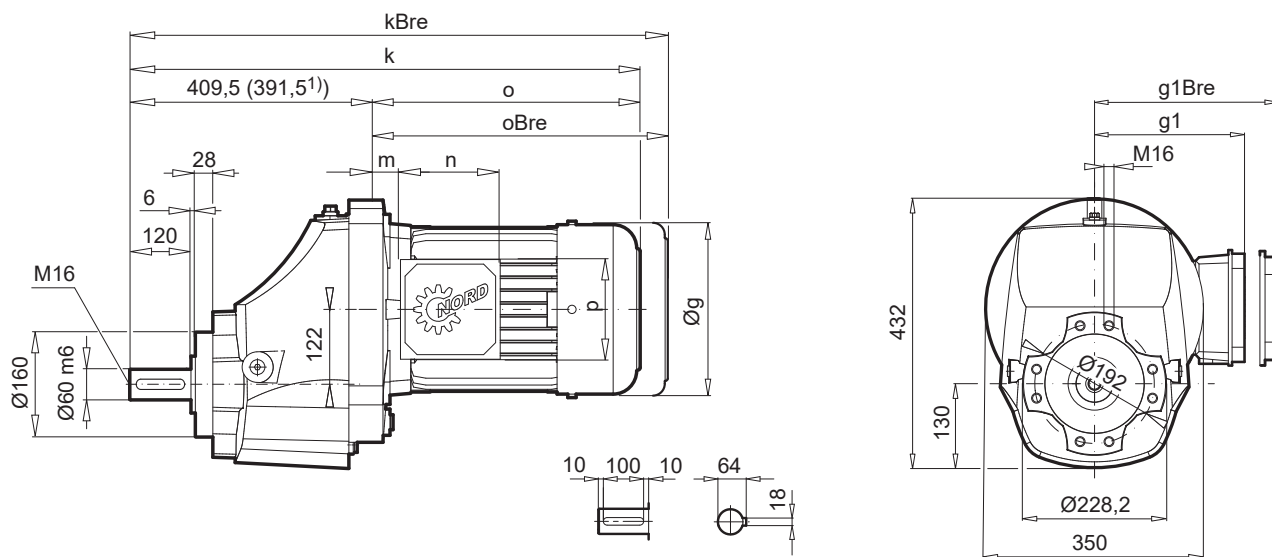
± ⇨ IEC A60	100 LP/AP	112 MP	132 SP/MP	160 SP/MP¹)	160 LP¹)	180 MP/LP¹)	225 SP¹)
g	202	226	266	320	320	357	445
g1 / g1Bre	169 / 172	179 / 182	204 / 201	242 / 242	242 / 242	258 / 258	350 / 350
k / kBre	716 / 807	736 / 830	845 / 952	884 / 1019	928 / 1063	1008 / 1135	1134 / 1314
o / oBre	306 / 397	326 / 420	435 / 542	492 / 627	536 / 671	616 / 744	742 / 922
m / mBre	32 / 35	35 / 38	71 / 62	52 / 52	52 / 52	55 / 55	94 / 94
n / nBre	114 / 153	114 / 153	122 / 185	186 / 186	186 / 186	186 / 186	245 / 245
p / pBre	114 / 108	114 / 108	122 / 139	186 / 186	186 / 186	186 / 186	245 / 245
i	161	149	130	102	102	88	40





NORDBLOC.1
Helical gear unit



SK 1071.1VZ



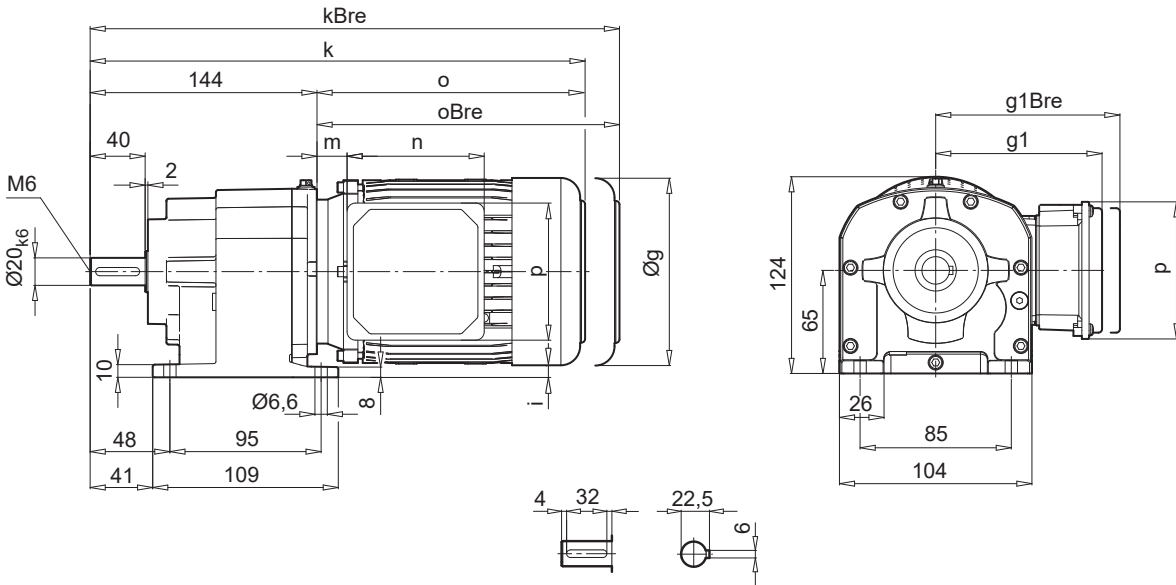
NORDBLOC.1
Helical gear unit

± ⇔ A60	100 LP/AP	112 MP	132 SP/MP	160 SP/MP ¹⁾	160 LP ¹⁾	180 MP/LP ¹⁾	225 SP ¹⁾	
g	202	226	266	320	320	357	445	
g1 / g1Bre	169 / 172	179 / 182	204 / 201	242 / 242	242 / 242	258 / 258	350 / 350	 W ⇔ B106
k / kBre	716 / 807	736 / 830	845 / 952	884 / 1019	928 / 1063	1008 / 1135	1134 / 1314	
o / oBre	306 / 397	326 / 420	435 / 542	492 / 627	536 / 671	616 / 744	742 / 922	
m / mBre	32 / 35	35 / 38	71 / 62	52 / 52	52 / 52	55 / 55	94 / 94	
n / nBre	114 / 153	114 / 153	122 / 185	186 / 186	186 / 186	186 / 186	245 / 245	 IEC, NEMA ⇔ B113
p / pBre	114 / 108	114 / 108	122 / 139	186 / 186	186 / 186	186 / 186	245 / 245	

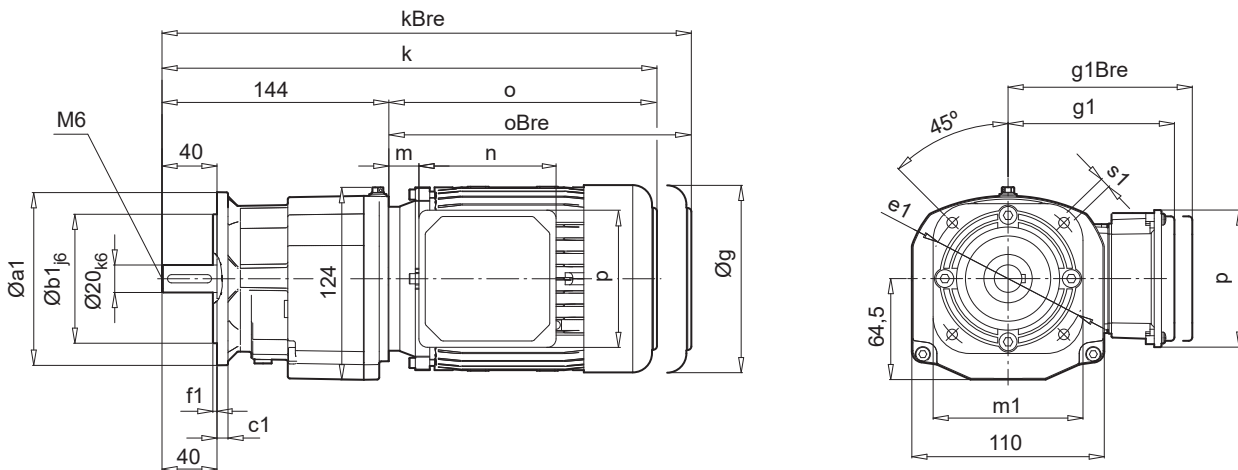
SK 072.1 SK 072.1F



SK 072.1



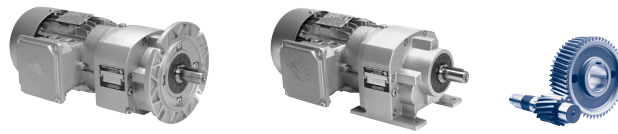
SK 072.1F



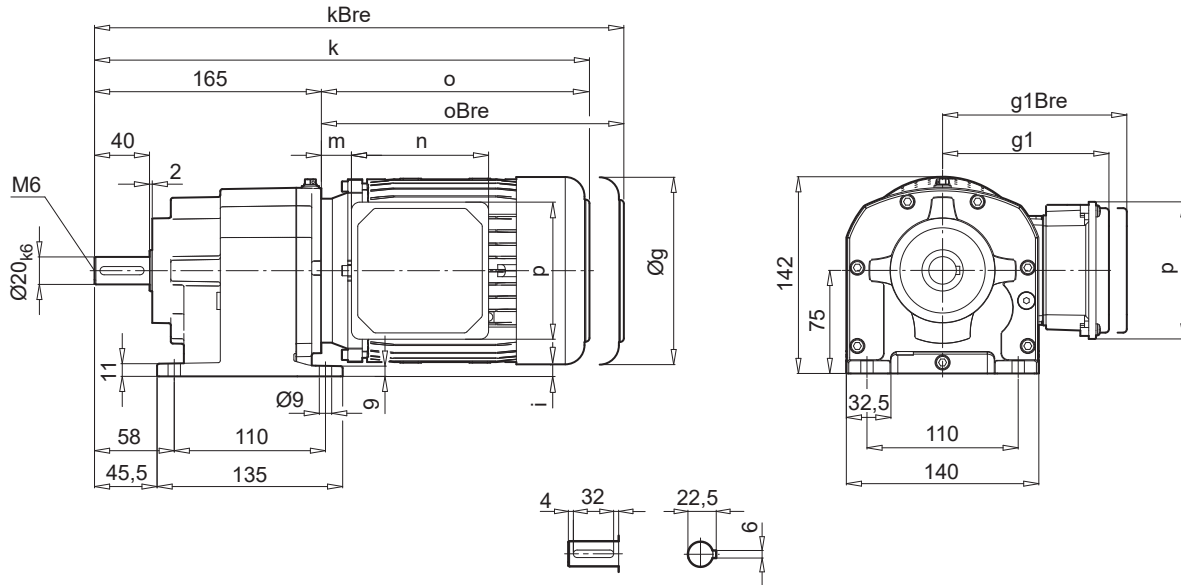
a1	b1	c1	e1	f1	s1	m1
120	80	7	100	3,0	6,6	90
140	95	9	115	3,0	9	110
160	110	10	130	3,5	9	125

$\pm \rightarrow$ A60	63 SP/LP	71 SP/LP
g	130	145
$g1 / g1_{Bre}$	115 / 123	124 / 133
k / k_{Bre}	336 / 392	358 / 416
o / o_{Bre}	192 / 248	214 / 272
m / m_{Bre}	12 / 19	20 / 27
n / n_{Bre}	100 / 134	100 / 134
p / p_{Bre}	100 / 89	100 / 89
i	-	-7,5

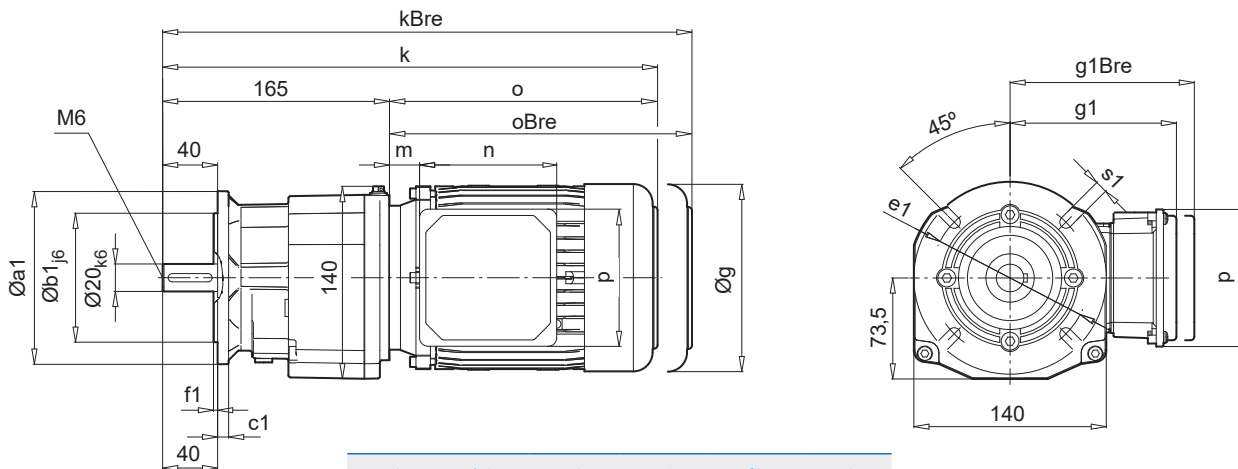
NORDBLOC.1
Helical gear unit





SK 172.1



SK 172.1F



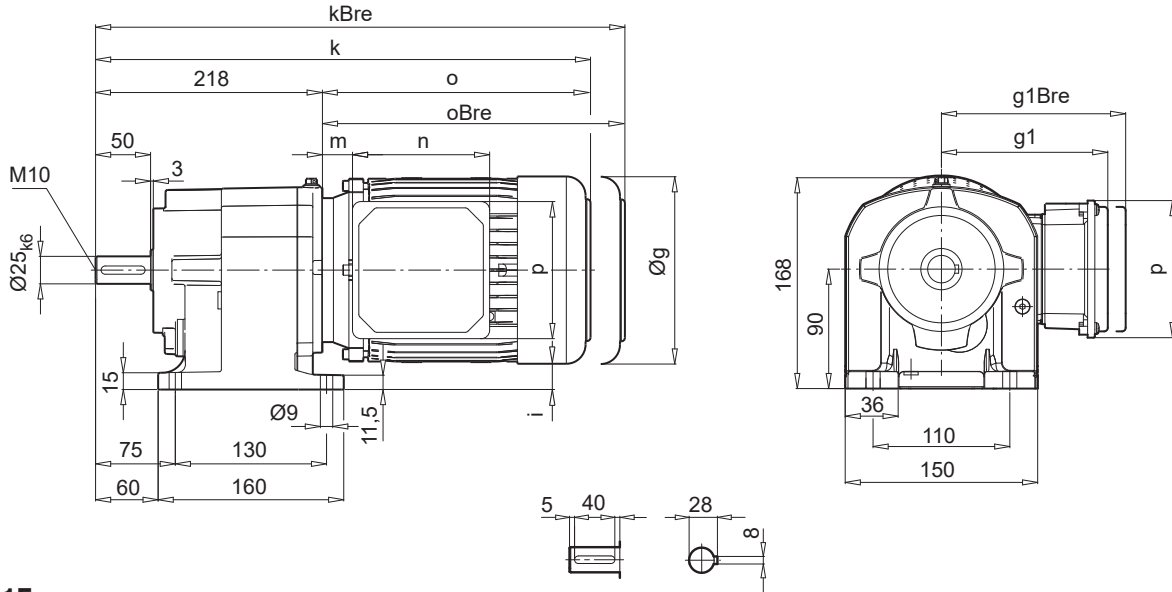
NORDBLOC.1
Helical gear unit

± ⇄ A60	63 SP/LP	71 SP/LP	80 SP/LP	90 SP/LP	
g	130	145	165	183	
g1 / g1Bre	115 / 123	124 / 133	142 / 142	147 / 147	 W ⇄ B107
k / kBre	357 / 413	379 / 437	401 / 465	441 / 516	
o / oBre	192 / 248	214 / 272	236 / 300	276 / 351	
m / mBre	12 / 19	20 / 27	22 / 26	26 / 30	
n / nBre	100 / 134	100 / 134	114 / 153	114 / 153	
p / pBre	100 / 89	100 / 89	114 / 108	114 / 108	 IEC, NEMA ⇄ B114
i	10	2,5	-7,5	-16,5	

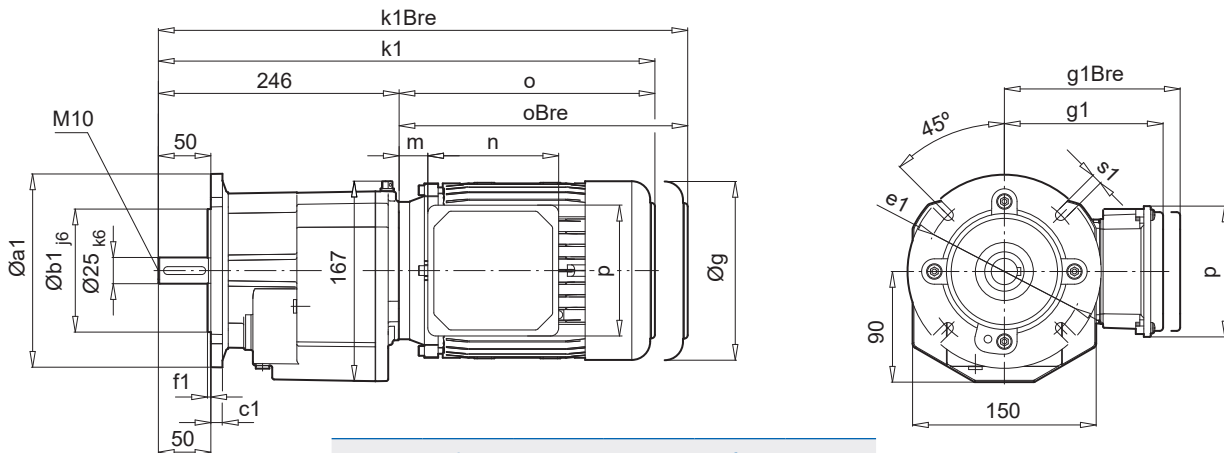
SK 372.1 SK 372.1F



SK 372.1



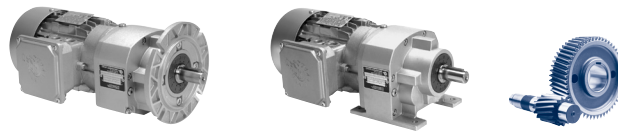
SK 372.1F



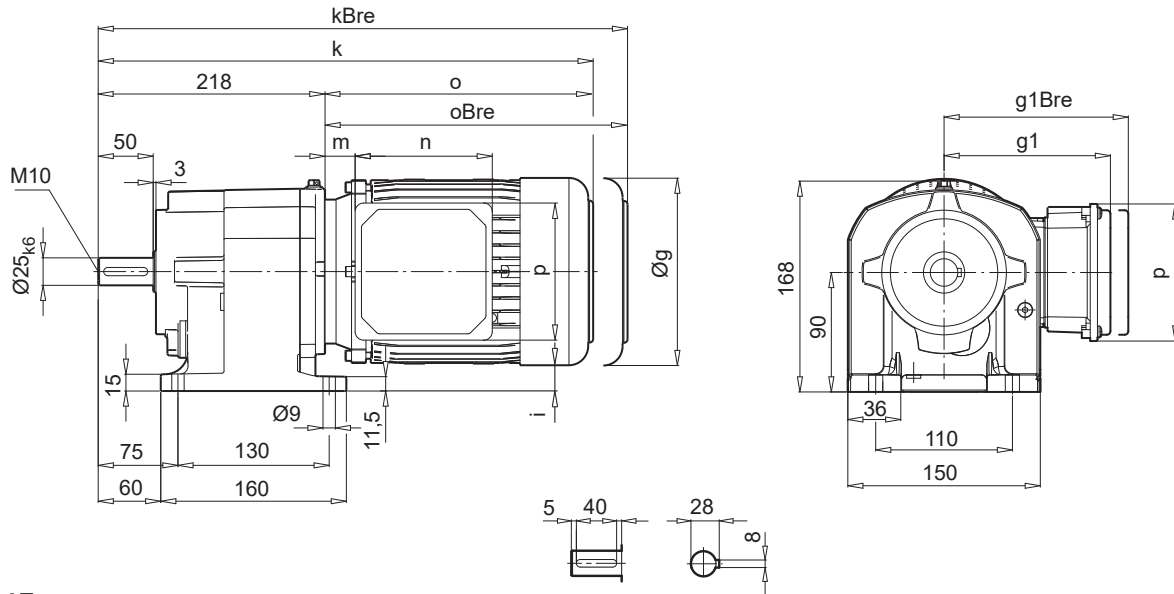
a1	b1	c1	e1	f1	s1
120			⇒ A6, B129		
140	95	9	115	3,0	8,6
160	110	10	130	3,5	8,6
200	130	12	165	3,5	11
250	180	15	215	4,0	13,5

± ⇒ A60	63 SP/LP	71 SP/LP	80 SP/LP	90 SP/LP	100 LP/AP	
g	130	145	165	183	201	
g1 / g1Bre	115 / 123	124 / 133	142 / 142	147 / 147	169 / 172	W ⇒ B107
k / kBre	414 / 470	454 / 512	479 / 543	520 / 595	550 / 641	
k1 / k1Bre	442 / 498	482 / 540	507 / 571	548 / 623	578 / 669	
o / oBre	196 / 252	236 / 294	261 / 325	302 / 377	332 / 423	
m / mBre	16 / 23	42 / 49	47 / 51	52 / 56	58 / 62	
n / nBre	100 / 134	100 / 134	114 / 153	114 / 153	114 / 153	IEC, NEMA ⇒ B115
p / pBre	100 / 89	100 / 89	144 / 108	144 / 108	144 / 108	
i	25	17,5	7,5	-1,5	-10,5	

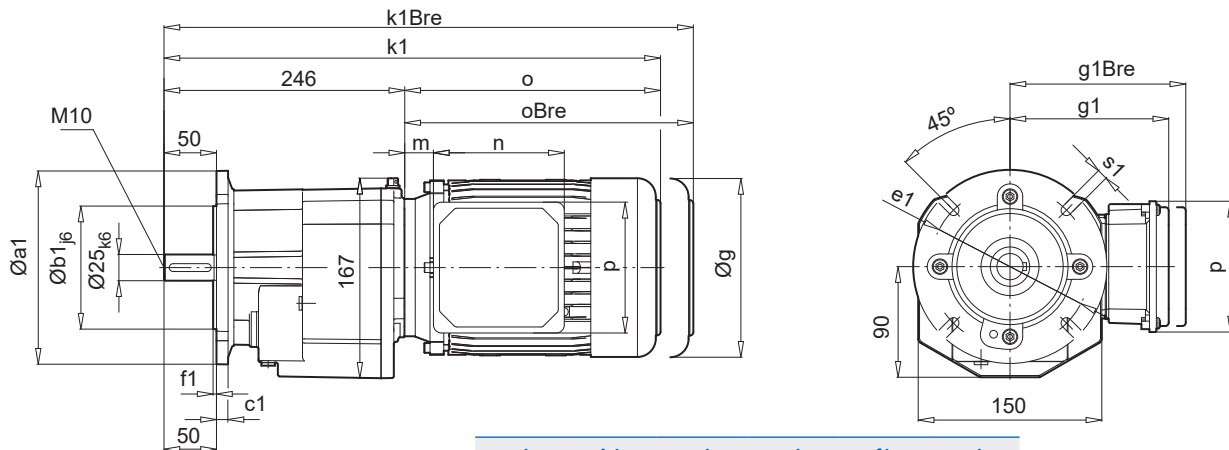
NORDBLOC.1
Helical gear unit



SK 373.1



SK 373.1F



a1	b1	c1	e1	f1	s1
120			⇒ A6, B129		
140	95	9	115	3,0	8,6
160	110	10	130	3,5	8,6
200	130	12	165	3,5	11
250	180	15	215	4,0	13,5

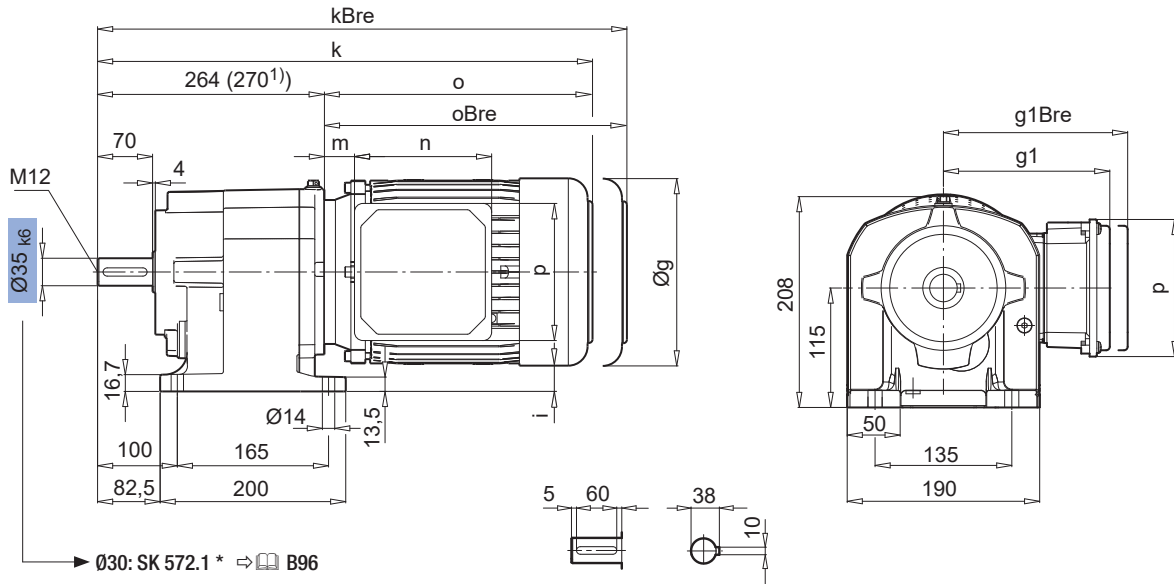
± ⇒ A60	63 SP/LP	71 SP/LP	80 SP/LP	90 SP/LP	
g	130	145	165	183	
g1 / g1Bre	115 / 123	124 / 133	142 / 142	147 / 147	W ⇒ B107
k / kBre	414 / 470	454 / 512	479 / 543	520 / 595	
k1 / k1Bre	442 / 498	482 / 540	507 / 571	548 / 623	
o / oBre	196 / 252	236 / 294	261 / 325	302 / 377	
m / mBre	16 / 23	42 / 49	47 / 51	52 / 56	
n / nBre	100 / 134	100 / 134	114 / 153	114 / 153	IIEC, NEMA ⇒ B115
p / pBre	100 / 89	100 / 89	144 / 108	144 / 108	
i	25	17,5	7,5	-1,5	

NORDBLOC.1
Helical gear unit

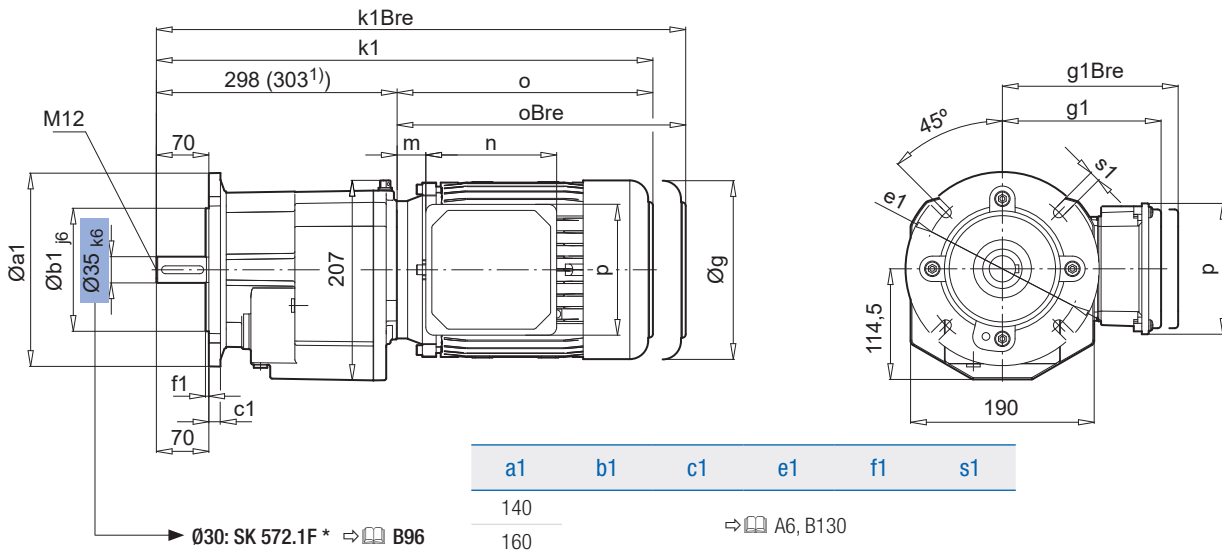
SK 572.1 SK 572.1F



SK 572.1



SK 572.1F



± ⇒ A60	71 SP/LP	80 SP/LP	90 SP/LP	100 LP/AP	112 MP	132 SP/MP 1)
g	145	165	183	201	228	264
g1 / g1Bre	124 / 133	142 / 142	147 / 147	169 / 172	179 / 182	204 / 201
k / kBre	500 / 558	525 / 589	566 / 641	596 / 687	644 / 738	705 / 812
k1 / k1Bre	534 / 592	559 / 623	600 / 675	630 / 721	678 / 772	738 / 846
o / oBre	236 / 294	261 / 325	302 / 377	332 / 423	380 / 474	435 / 542
m / mBre	42 / 49	47 / 51	52 / 56	58 / 62	64 / 67	71 / 62
n / nBre	100 / 134	114 / 153	114 / 153	114 / 153	114 / 153	122 / 185
p / pBre	100 / 89	144 / 108	144 / 108	144 / 108	144 / 108	144 / 108
i	42,5	32,5	23,5	14,5	1	-26

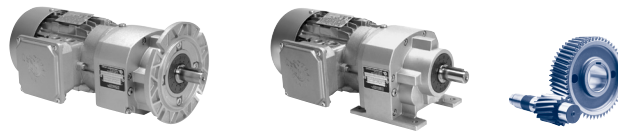


W ⇒ B107

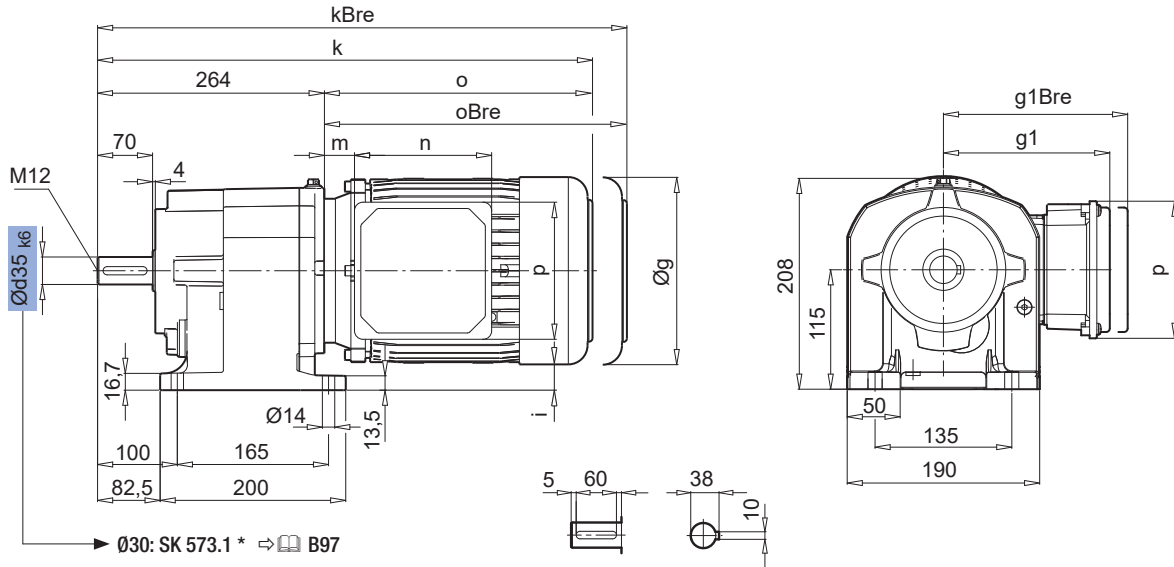


IEC, NEMA
⇒ B116

NORDBLOC.1
Helical gear unit

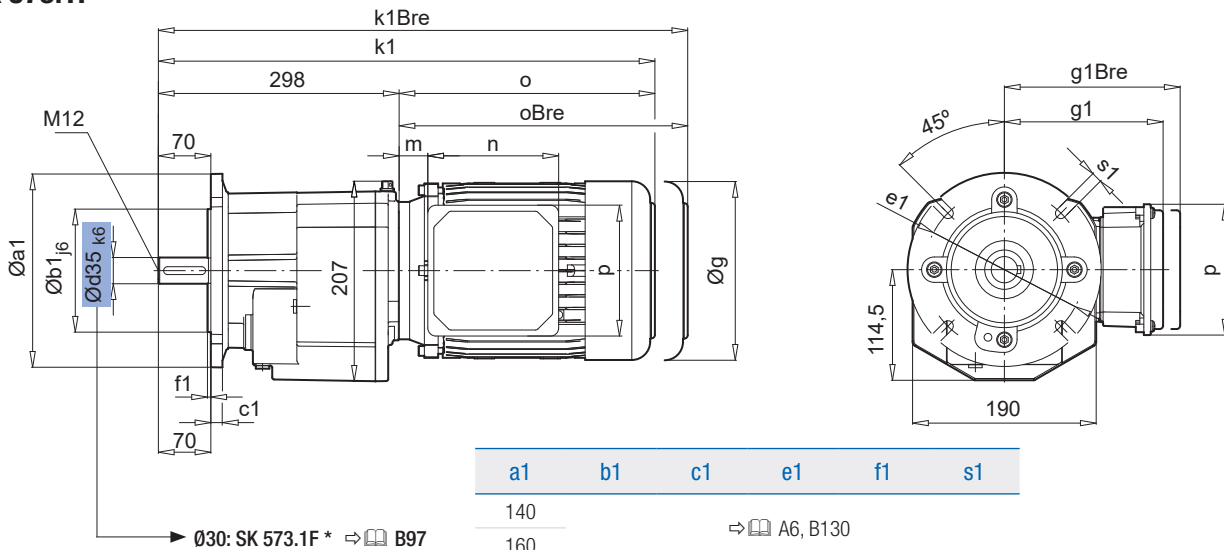


SK 573.1



NORDBLOC.1
Helical gear unit

SK 573.1F



a1	b1	c1	e1	f1	s1
140					
160					
200	130	12	165	3,5	11,0
250	180	15	215	4,0	13,5
300	230	15	265	4,0	14,0

⇒ A6, B130

± ⇒ A60	63 SP/LP	71 SP/LP	80 SP/LP	90 SP/LP	100 LP/AP	112 MP
g	130	145	165	183	201	228
g1 / g1Bre	115 / 123	124 / 133	142 / 142	147 / 147	169 / 172	179 / 182
k / kBre	460 / 516	500 / 558	525 / 589	566 / 641	597 / 687	644 / 738
k1 / k1Bre	494 / 550	534 / 592	559 / 623	600 / 675	630 / 720	677 / 771
o / oBre	196 / 252	236 / 294	261 / 325	302 / 377	332 / 423	380 / 474
m / mBre	16 / 23	42 / 49	47 / 51	52 / 56	58 / 62	64 / 67
n / nBre	100 / 134	100 / 134	114 / 153	114 / 153	114 / 153	114 / 153
p / pBre	100 / 89	100 / 89	144 / 108	144 / 108	144 / 108	144 / 108
i	50	42,5	32,5	23,5	14,5	1



W ⇒ B107

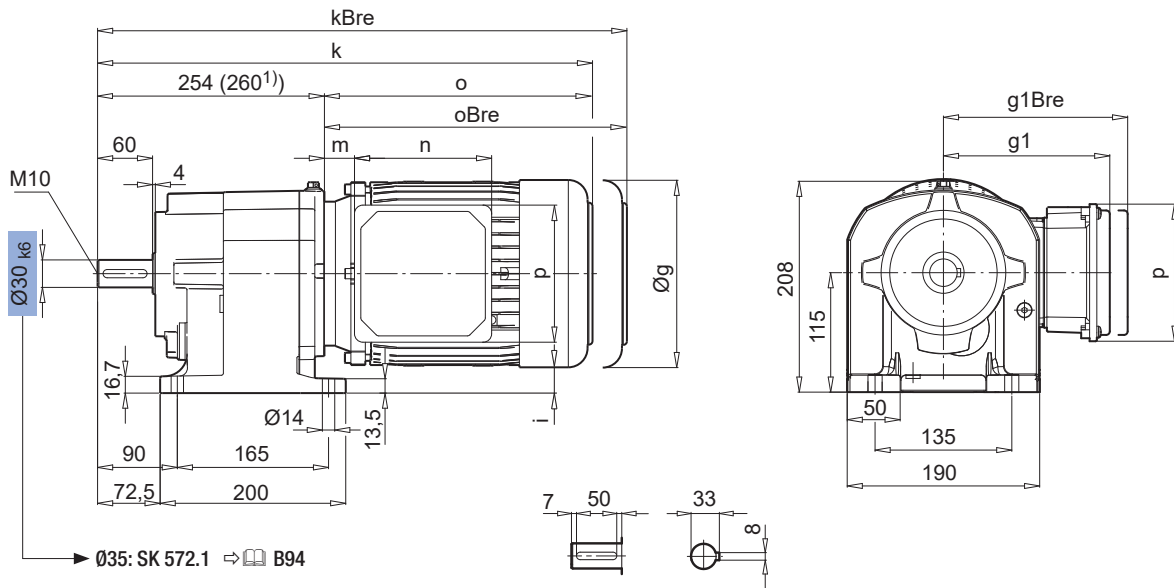


IEC, NEMA
⇒ B116

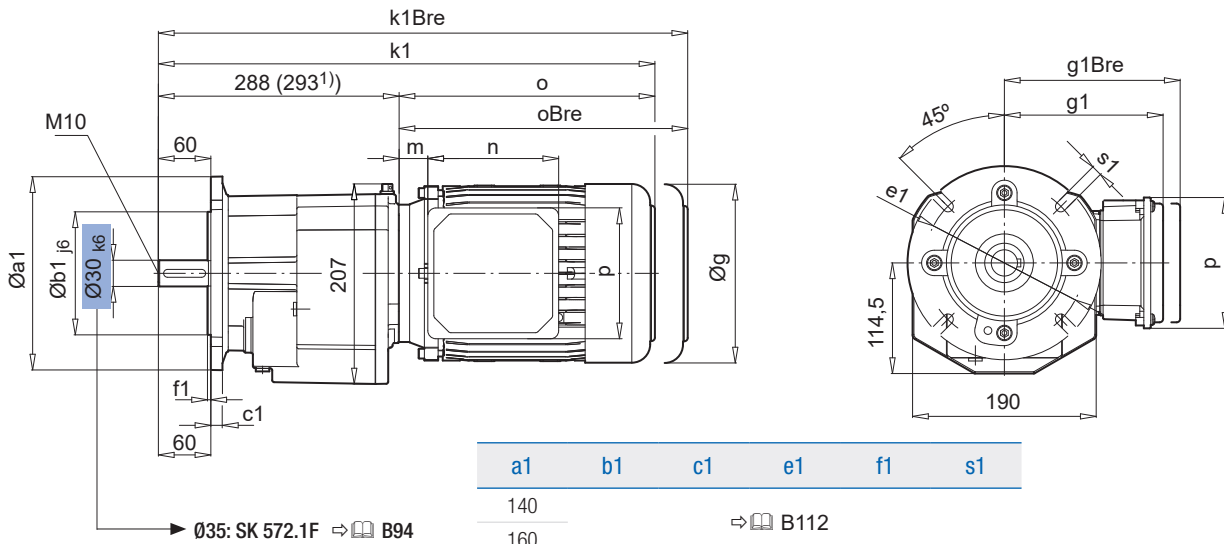
SK 572.1 SK 572.1F



SK 572.1 *



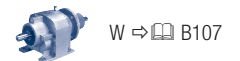
SK 572.1F *



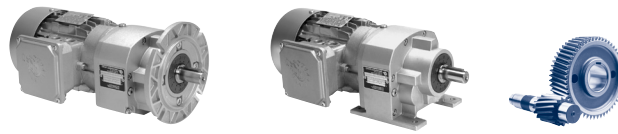
a1	b1	c1	e1	f1	s1
140					
160					
200	130	12	165	3,5	11,0
250	180	15	215	4,0	13,5
300	230	15	265	4,0	14,0

\Rightarrow B112

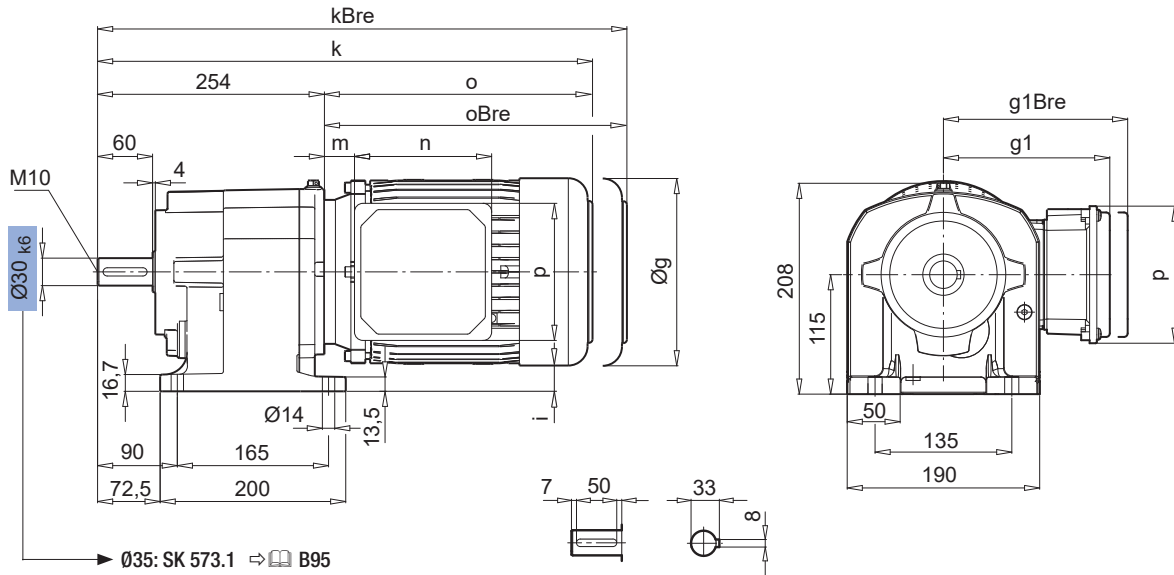
\pm \Rightarrow A60	71 SP/LP	80 SP/LP	90 SP/LP	100 LP/AP	112 MP	132 SP/MP ¹⁾
g	145	165	183	201	228	264
g1 / g1Bre	124 / 133	142 / 142	147 / 147	169 / 172	179 / 182	204 / 201
k / kBre	490 / 548	515 / 579	556 / 631	586 / 677	634 / 728	695 / 802
k1 / k1Bre	524 / 582	549 / 613	590 / 665	620 / 711	668 / 762	728 / 835
o / oBre	236 / 294	261 / 325	302 / 377	332 / 423	380 / 474	435 / 542
m / mBre	42 / 49	47 / 51	52 / 56	58 / 62	64 / 67	71 / 62
n / nBre	100 / 134	114 / 153	114 / 153	114 / 153	114 / 153	122 / 185
p / pBre	100 / 89	144 / 108	144 / 108	144 / 108	144 / 108	144 / 108
i	42,5	32,5	23,5	14,5	1	-26



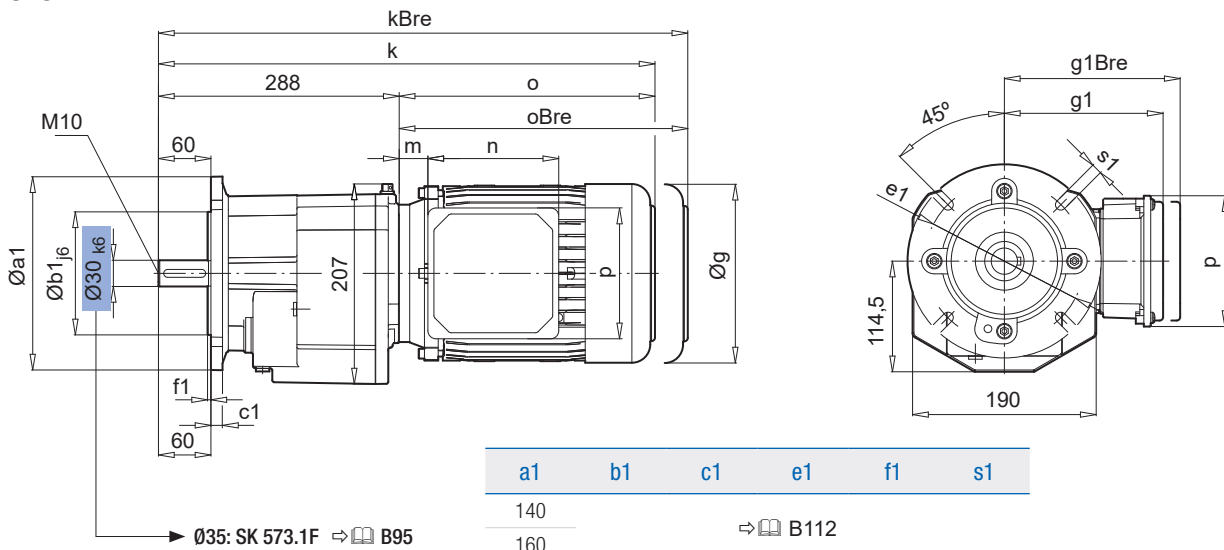
NORDBLOC.1
Helical gear unit



SK 573.1 *



SK 573.1F *



a1	b1	c1	e1	f1	s1
140					
160					
200	130	12	165	3,5	11,0
250	180	15	215	4,0	13,5
300	230	15	265	4,0	14,0

⇒ B112

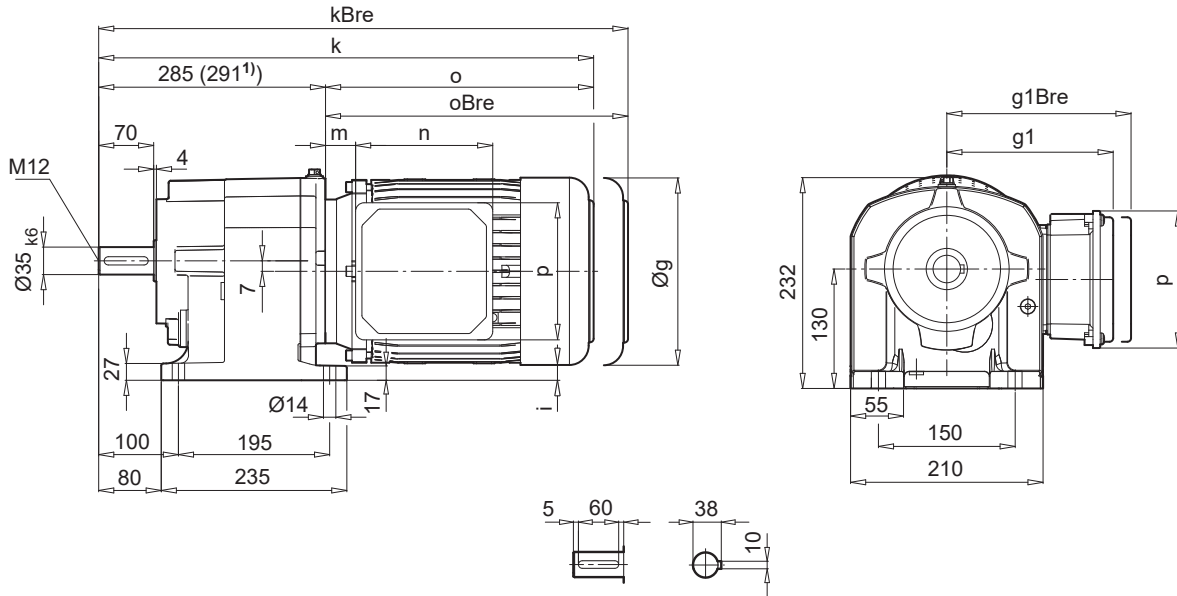
± ⇒ A60	63 SP/LP	71 SP/LP	80 SP/LP	90 SP/LP	100 LP/AP	112 MP
g	130	145	165	183	201	228
g1 / g1Bre	115 / 123	124 / 133	142 / 142	147 / 147	169 / 172	179 / 182
k / kBre	450 / 506	490 / 548	515 / 579	556 / 631	586 / 677	634 / 728
k1 / k1Bre	484 / 540	524 / 582	549 / 613	590 / 665	620 / 711	668 / 762
o / oBre	196 / 252	236 / 294	261 / 325	302 / 377	332 / 423	380 / 474
m / mBre	16 / 22	42 / 49	47 / 51	52 / 56	58 / 62	64 / 67
n / nBre	100 / 134	100 / 134	114 / 153	114 / 153	114 / 153	114 / 153
p / pBre	100 / 89	100 / 89	144 / 108	144 / 108	144 / 108	144 / 108
i	50	42,5	32,5	23,5	14,5	1

NORDBLOC.1
Helical gear unit

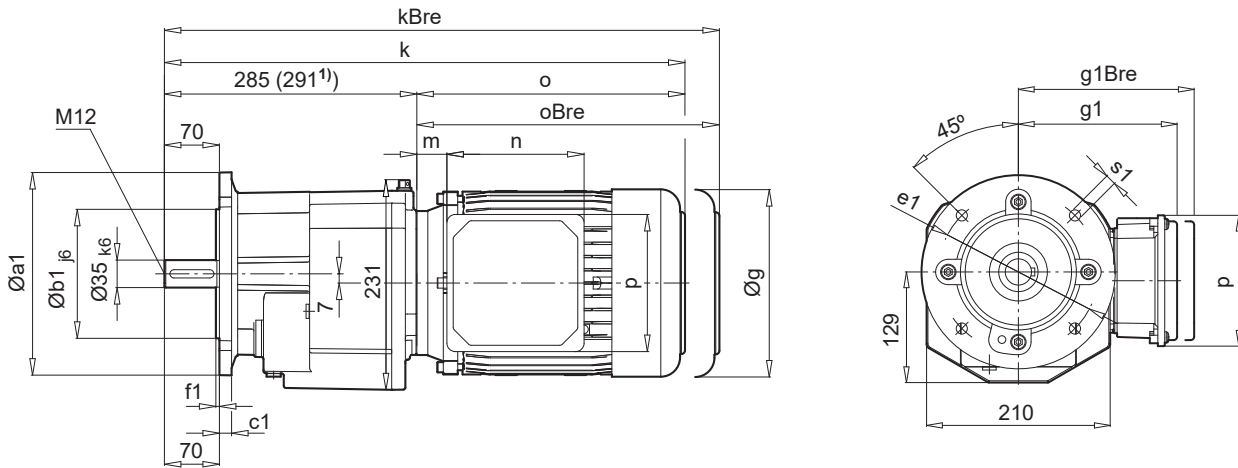
SK 672.1 SK 672.1F



SK 672.1



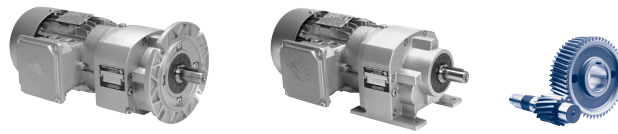
SK 672.1F



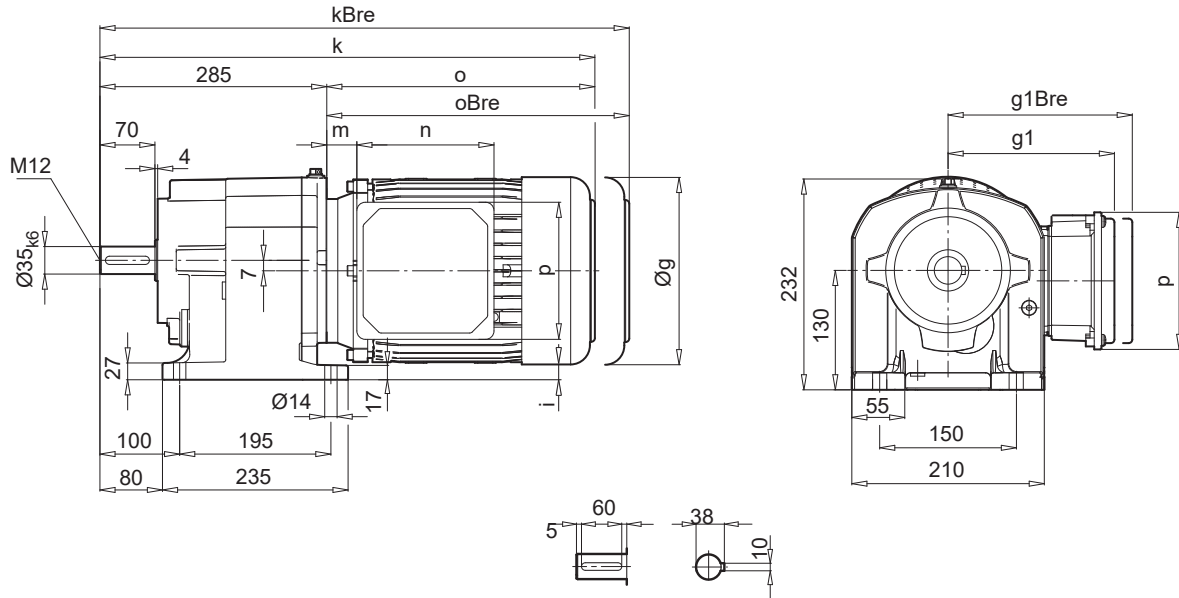
a1	b1	c1	e1	f1	s1
200	130	12	165	3,5	11
250	180	16	215	4	14

± ⇄ A60	80 SP/LP	90 SP/LP	100 LP/AP	112 MP	132 SP/MP ¹)	
g	165	183	201	228	264	
g1 / g1Bre	142 / 142	147 / 147	169 / 172	179 / 182	204 / 201	W ⇄ B107
k / kBre	546 / 610	587 / 662	617 / 708	664 / 758	726 / 833	
o / oBre	261 / 325	302 / 377	332 / 423	380 / 474	435 / 542	
m / mBre	47 / 51	52 / 56	58 / 62	64 / 67	71 / 62	IEC, NEMA ⇄ B117
n / nBre	114 / 153	114 / 153	114 / 153	114 / 153	122 / 185	
p / pBre	114 / 108	114 / 108	114 / 108	114 / 108	122 / 139	
i	40,5	31,5	22,5	9	-10	

NORDBLOC.1
Helical gear unit

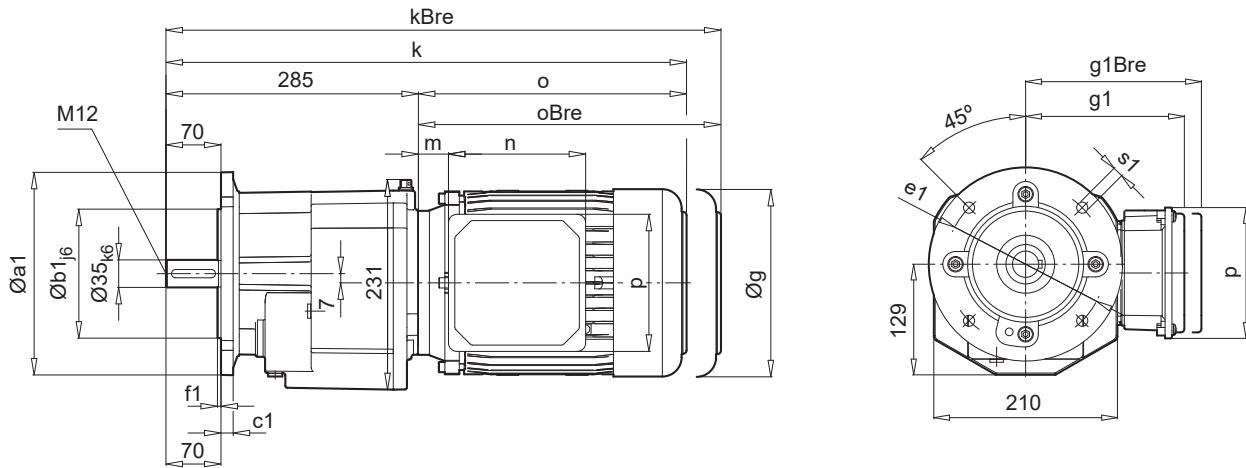


SK 673.1





NORDBLOC.1
Helical gear unit

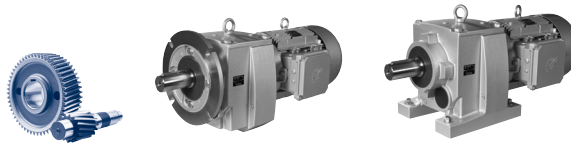
SK 673.1F



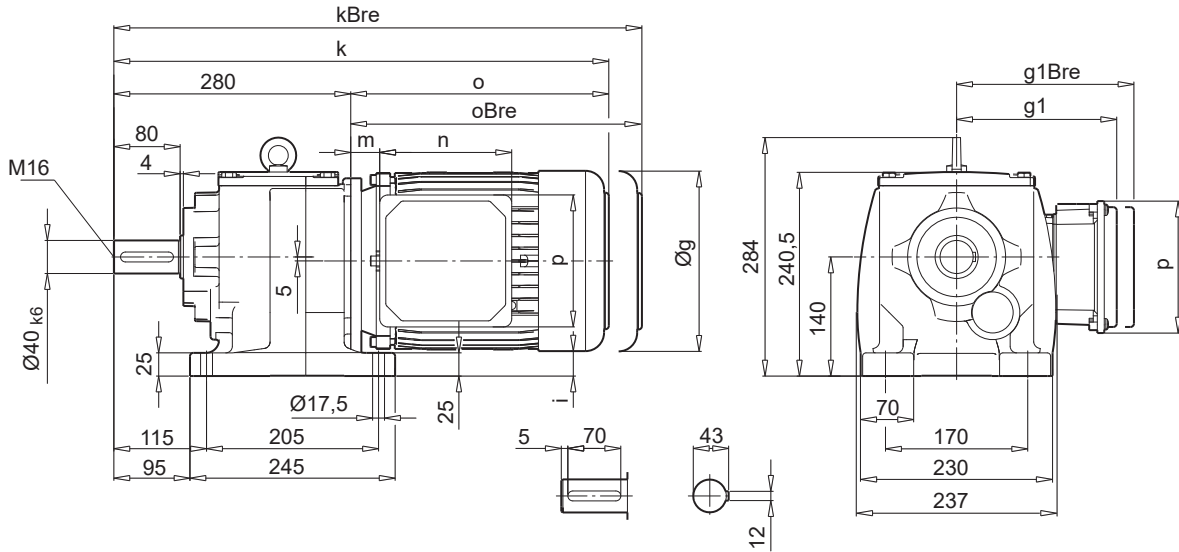
a1	b1	c1	e1	f1	s1
200	130	12	165	3,5	11
250	180	16	215	4	14

± ⇒ A60	63 SP/LP	71 SP/LP	80 SP/LP	90 SP/LP	100 LP/AP	
g	130	145	165	183	201	
g1 / g1Bre	115 / 123	124 / 133	142 / 142	147 / 147	169 / 172	 W ⇒ B107
k / kBre	481 / 537	521 / 579	546 / 610	587 / 662	617 / 708	
o / oBre	196 / 252	236 / 294	261 / 325	302 / 377	332 / 423	
m / mBre	16 / 23	42 / 49	47 / 51	52 / 56	58 / 62	
n / nBre	100 / 134	100 / 134	114 / 153	114 / 153	114 / 153	
p / pBre	100 / 89	100 / 89	114 / 108	114 / 108	114 / 108	 IEC, NEMA ⇒ B117
i	58	50,5	40,5	31,5	22,5	

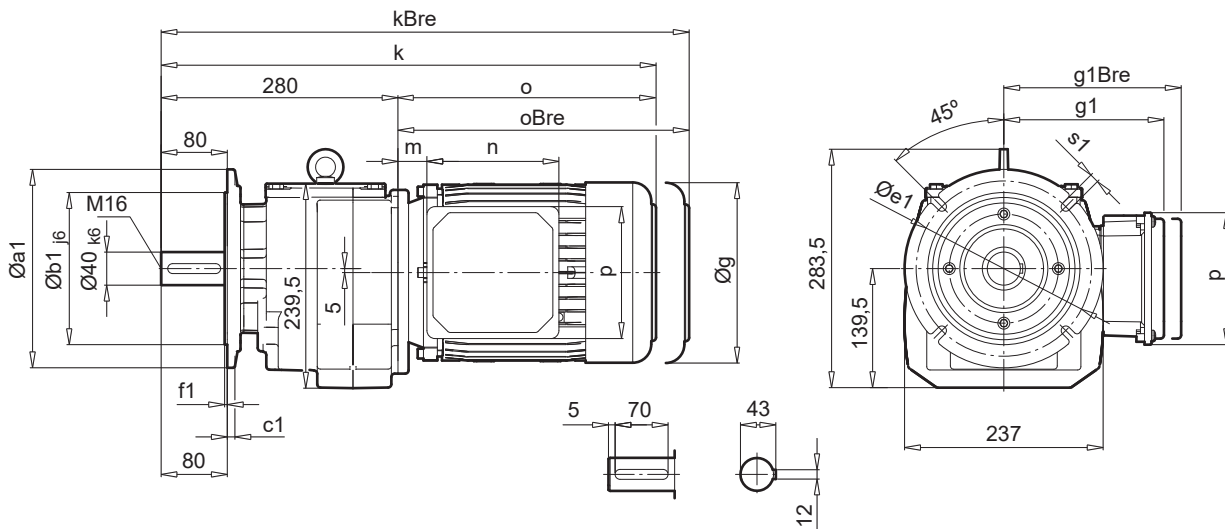
SK 772.1 SK 772.1F



SK 772.1



SK 772.1F



a1	b1	c1	e1	f1	s1
200	130	12	165	4	11
250	180	15	215	4	13,5
300	230	18	265	4	13,5

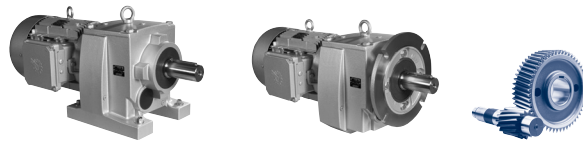
± ↕ A60	90 LP	100 LP/AP	112 MP	132 SP/MP	160 SP/MP	160 LP
g	183	201	228	264	320	320
g1 / g1Bre	147 / 147	169 / 172	179 / 182	204 / 201	242 / 242	242 / 242
k / kBre	576 / 651	606 / 697	654 / 748	715 / 822	792 / 927	836 / 971
o / oBre	296 / 371	326 / 417	374 / 468	435 / 542	512 / 647	556 / 691
m / mBre	46 / 49	52 / 56	58 / 61	71 / 62	72 / 72	72 / 72
n / nBre	114 / 153	114 / 153	114 / 153	122 / 185	186 / 186	186 / 186
p / pBre	114 / 108	114 / 108	114 / 108	122 / 139	186 / 186	186 / 186
i	31,5	34,5	21	2	-25	-25



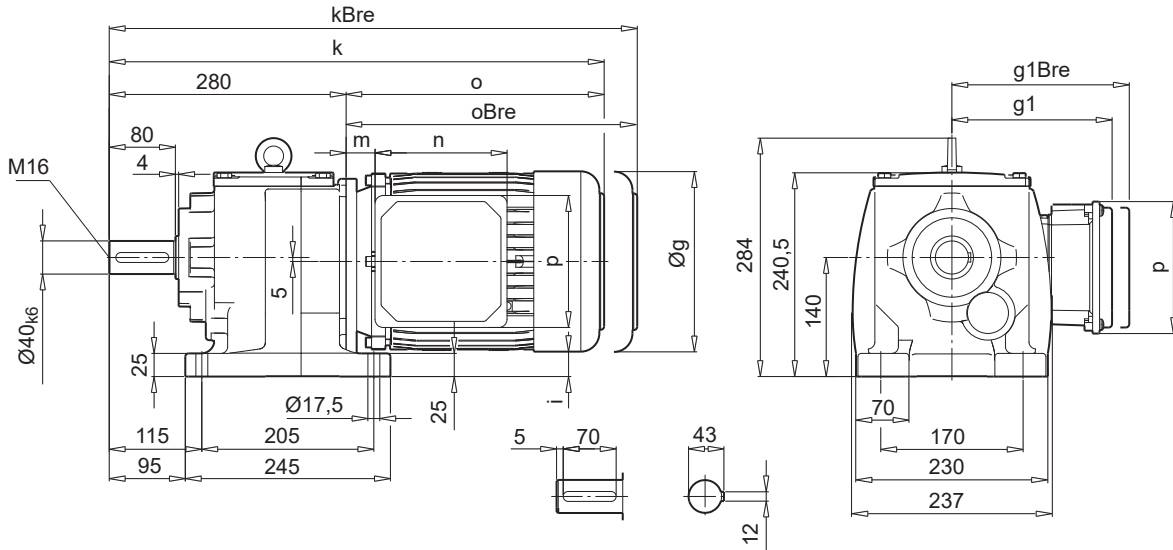
W ⇒ B107



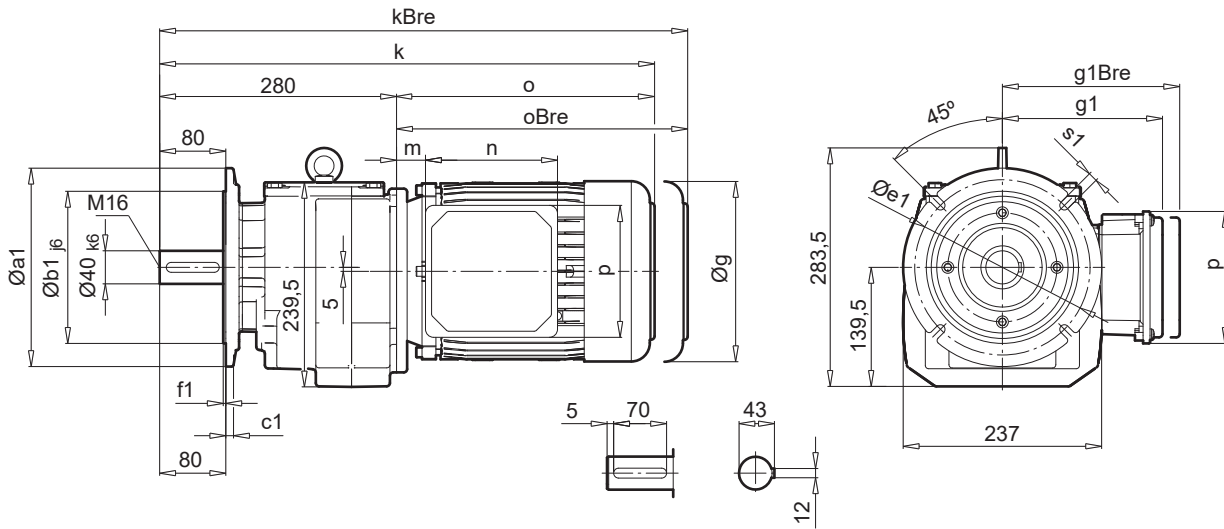
IEC, NEMA
⇒ B118



SK 773.1



SK 773.1F



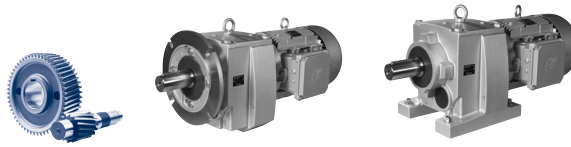
a1	b1	c1	e1	f1	s1
200	130	12	165	4	11
250	180	15	215	4	13,5
300	230	18	265	4	13,5

± ⇨ IEC A60	71 SP/LP	80 SP/LP	90 SP/LP	100 LP/AP	112 MP	132 SP
g	145	165	183	201	228	264
g1 / g1Bre	124 / 133	142 / 142	147 / 147	169 / 172	179 / 182	204 / 201
k / kBre	510 / 568	535 / 599	576 / 651	606 / 697	654 / 748	715 / 822
o / oBre	230 / 288	255 / 319	296 / 371	326 / 417	374 / 468	435 / 542
m / mBre	36 / 43	41 / 45	46 / 50	52 / 56	58 / 61	71 / 62
n / nBre	100 / 134	114 / 153	114 / 153	114 / 153	114 / 153	122 / 185
p / pBre	100 / 89	114 / 108	114 / 108	114 / 108	114 / 108	122 / 139
i	62,5	52,5	43,5	34,5	21	2

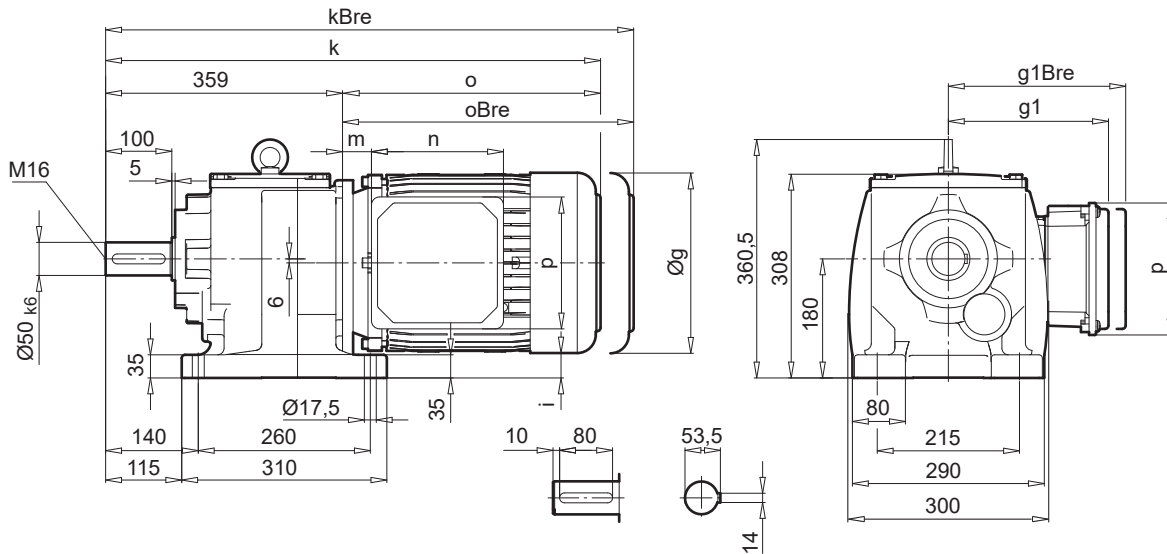


NORDBLOC.1
Helical gear unit

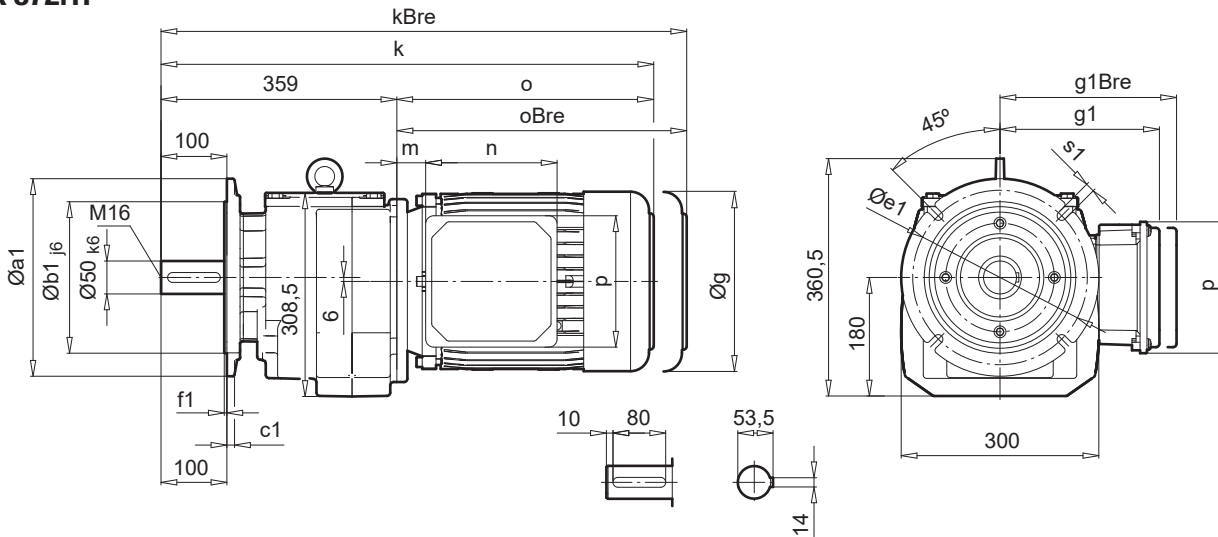
SK 872.1 SK 872.1F



SK 872.1

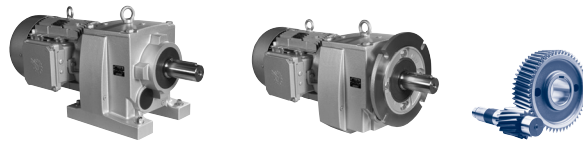


SK 872.1F

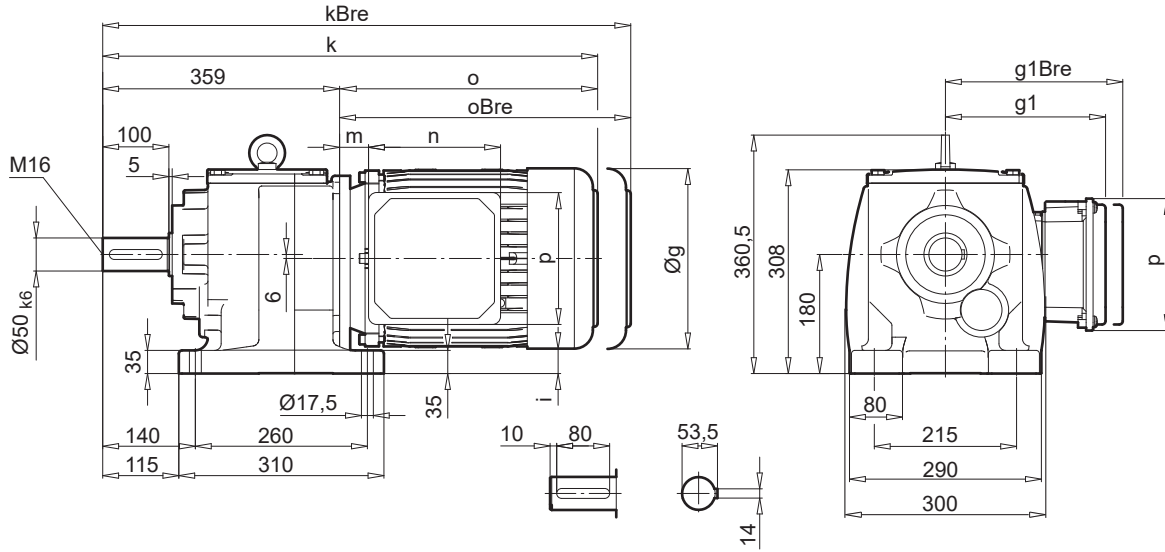


a1	b1	c1	e1	f1	s1
250	180	16	215	4	13,5
300	230	20	265	4	13,5
350	250	20	300	5	17,5

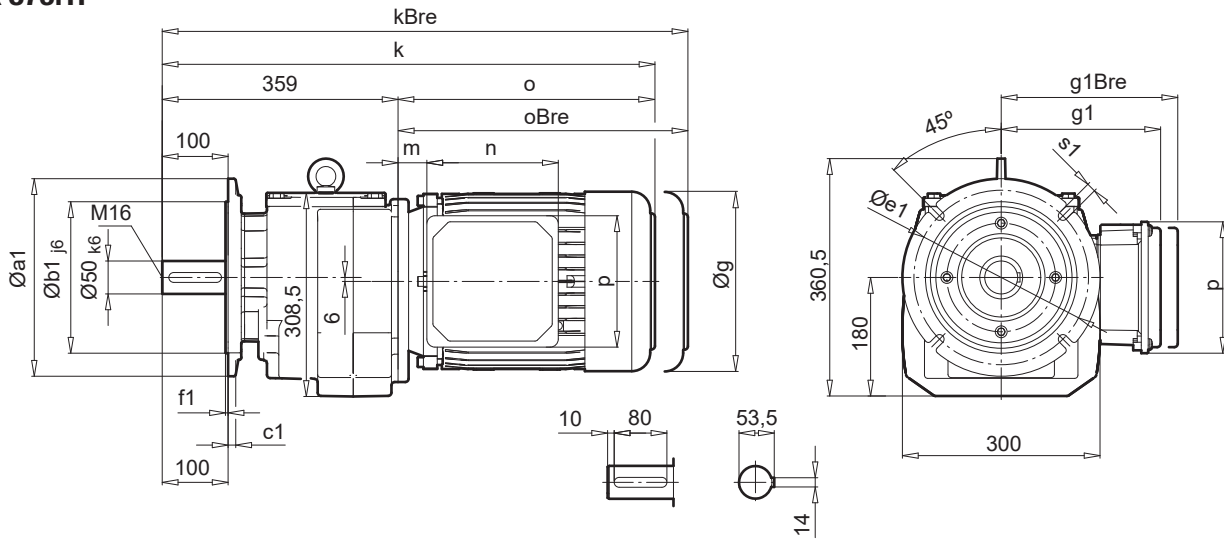
± ⇨ IEC A60	100 LP/AP	112 MP	132 SP/MP	160 SP/MP	160 LP	180 MP/LP	
g	201	228	264	320	320	358	
g1 / g1Bre	169 / 172	179 / 182	204 / 201	242 / 242	242 / 242	259 / 259	W ⇨ IEC B107
k / kBre	665 / 756	713 / 807	774 / 881	851 / 986	895 / 1030	995 / 1122	
o / oBre	306 / 397	354 / 448	415 / 522	492 / 627	536 / 671	636 / 764	
m / mBre	32 / 35	36 / 41	51 / 42	52 / 52	52 / 52	75 / 75	
n / nBre	114 / 153	114 / 153	122 / 185	186 / 186	186 / 186	186 / 186	IEC, NEMA
p / pBre	114 / 108	114 / 108	122 / 139	186 / 186	186 / 186	186 / 186	⇨ IEC B119
i	73,5	60	41	14	14	-5	





SK 873.1



SK 873.1F

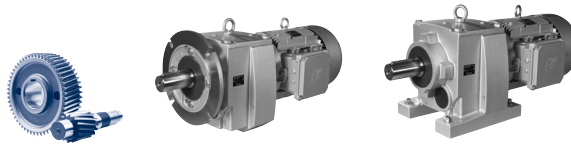


a1	b1	c1	e1	f1	s1
250	180	16	215	4	13,5
300	230	20	265	4	13,5
350	250	20	300	5	17,5

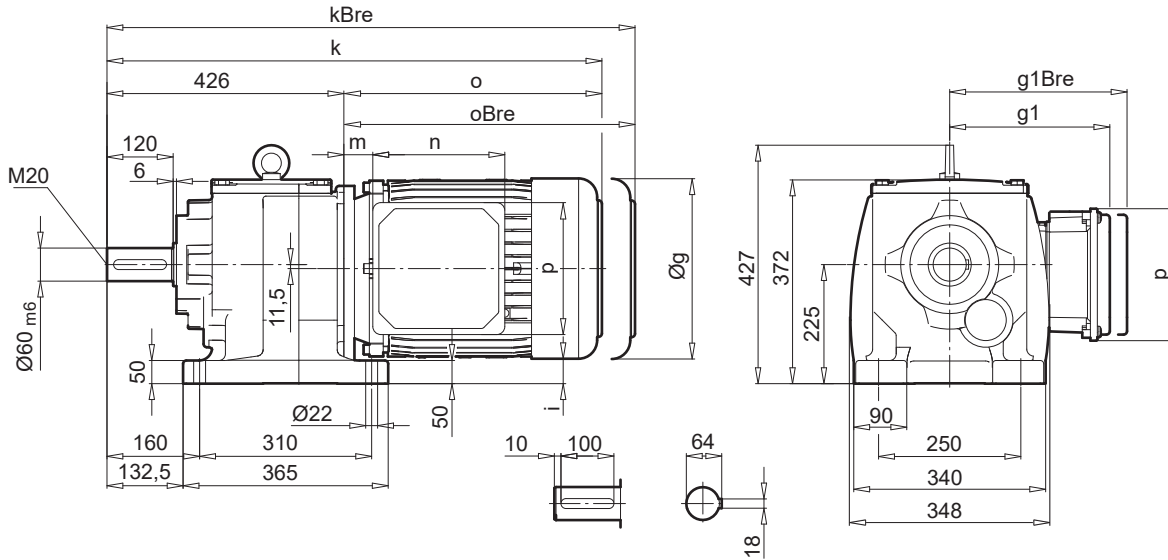
± ⇨ A60	90 SP/LP	100 LP/AP	112 MP	132 SP/MP	160 SP/MP	160 LP	
g	183	201	228	264	320	320	
g1 / g1Bre	147 / 147	169 / 172	179 / 182	204 / 201	242 / 242	242 / 242	 W ⇨ B107
k / kBre	635 / 710	665 / 756	713 / 807	774 / 881	851 / 986	895 / 1030	
o / oBre	276 / 351	306 / 397	354 / 448	415 / 522	492 / 627	536 / 671	
m / mBre	26 / 29	32 / 35	38 / 41	51 / 42	52 / 52	52 / 52	
n / nBre	114 / 153	114 / 153	114 / 153	122 / 185	186 / 186	186 / 186	 IEC, NEMA ⇨ B119
p / pBre	114 / 108	114 / 108	114 / 108	122 / 139	186 / 186	186 / 186	
i	82,5	73,5	60	41	14	14	

NORDBLOC.1
Helical gear unit

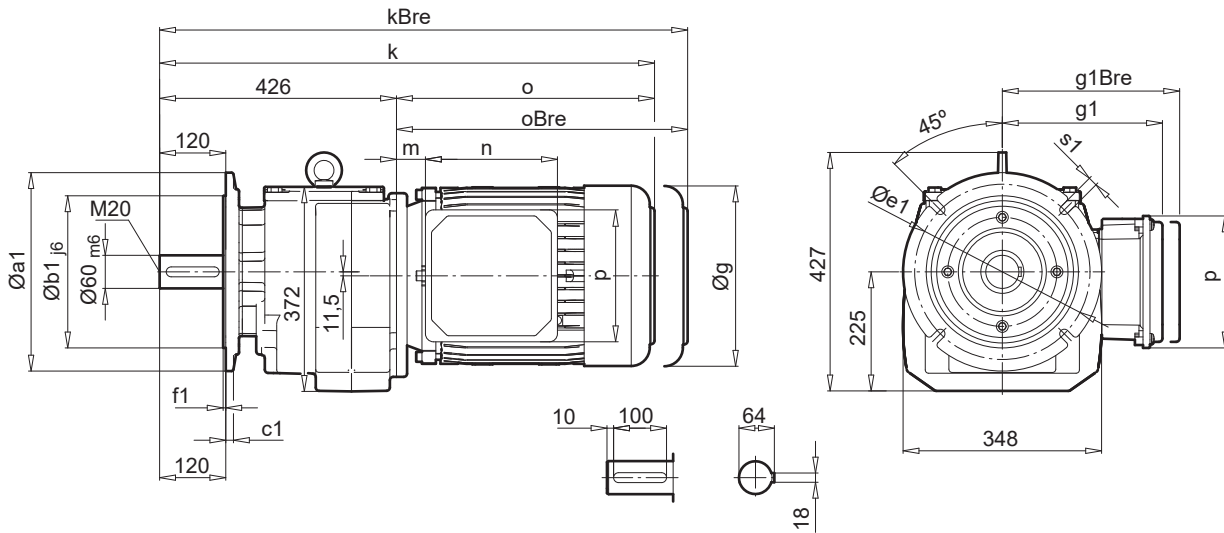
SK 972.1 SK 972.1F





SK 972.1

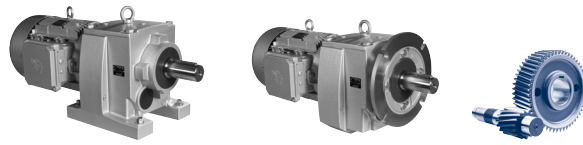


SK 972.1F

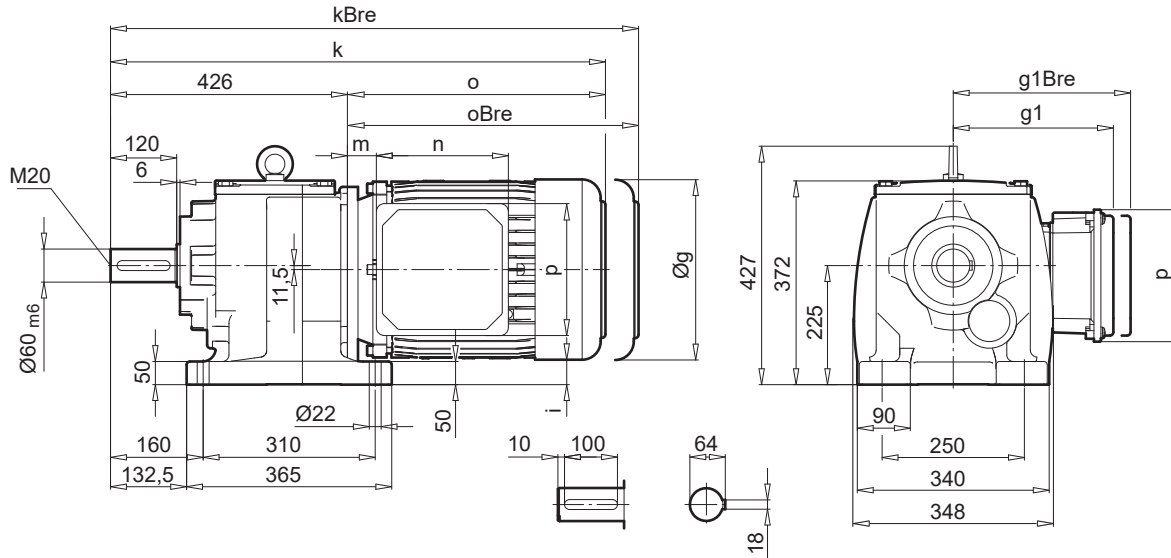


a1	b1	c1	e1	f1	s1
300	230	20	265	4	13,5
350	250	20	300	5	17,5
450	350	20	400	5	17,5

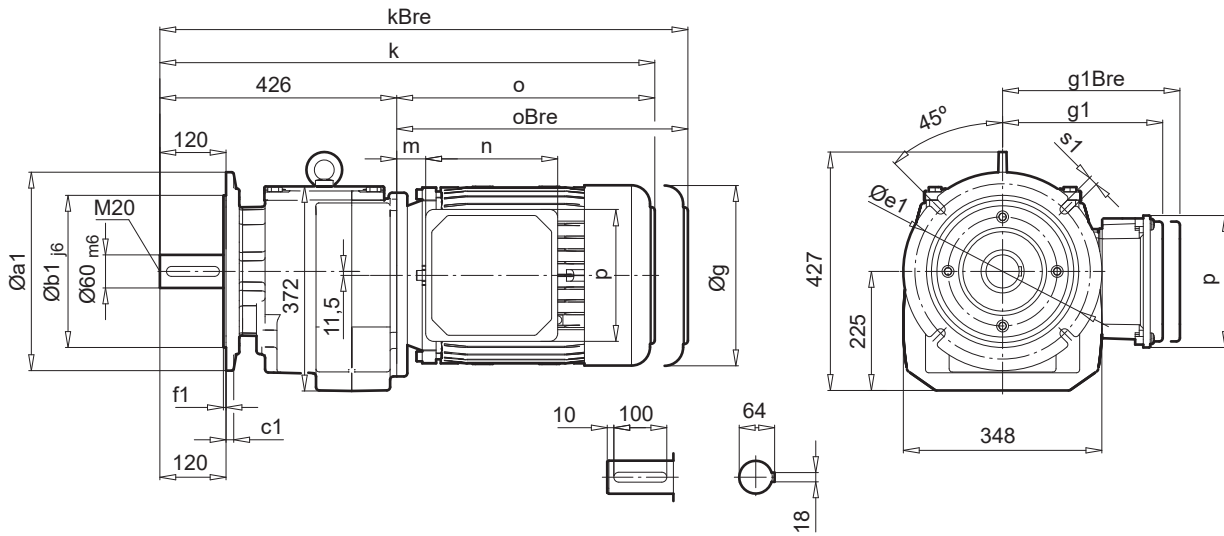
± ⇨ A60	112 MP	132 SP/MP	160 SP/MP	160 LP	180 MP/LP	225 SP	
g	228	264	320	320	358	445	
g1 / g1Bre	179 / 182	204 / 201	242 / 242	242 / 242	259 / 259	348 / 348	 W ⇨ B107
k / kBre	780 / 874	841 / 948	918 / 1053	962 / 1097	1062 / 1189	1168 / 1348	
o / oBre	354 / 448	415 / 522	492 / 627	536 / 671	636 / 764	742 / 922	
m / mBre	38 / 41	51 / 42	52 / 52	52 / 52	75 / 75	94 / 94	
n / nBre	114 / 153	122 / 185	186 / 186	186 / 186	186 / 186	245 / 245	 IEC, NEMA ⇨ B120
p / pBre	114 / 108	122 / 139	186 / 186	186 / 186	186 / 186	245 / 245	
i	99,5	80,5	53,5	53,5	34,5	-11	



SK 973.1

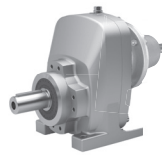


SK 973.1F



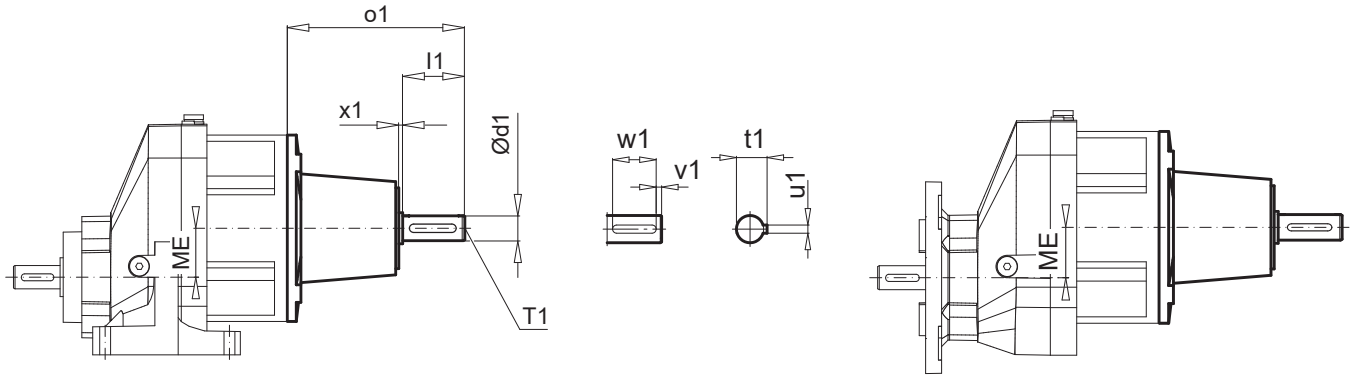
a1	b1	c1	e1	f1	s1
300	230	20	265	4	13,5
350	250	20	300	5	17,5
450	350	20	400	5	17,5

± ↻ B A60	90 SP/LP	100 LP/AP	112 MP	132 SP/MP	160 SP/MHP	160 LP	180 MP/LP	
g	183	201	228	266	320	320	358	W ↻ B107
g1 / g1Bre	147 / 147	169 / 172	179 / 182	204 / 201	242 / 242	242 / 242	259 / 259	
k / kBre	701 / 776	731 / 822	780 / 874	841 / 948	918 / 1053	962 / 1097	1062 / 1189	
o / oBre	276 / 351	306 / 397	354 / 448	415 / 522	492 / 627	536 / 671	636 / 764	IEC, NEMA ↻ B120
m / mBre	26 / 30	32 / 36	38 / 41	51 / 42	52 / 52	52 / 52	75 / 75	
n / nBre	114 / 153	114 / 153	114 / 153	122 / 185	186 / 186	186 / 186	186 / 186	
p / pBre	114 / 108	114 / 108	114 / 108	122 / 139	186 / 186	186 / 186	186 / 186	
i	122	113	99,5	80,5	53,5	53,5	34,5	



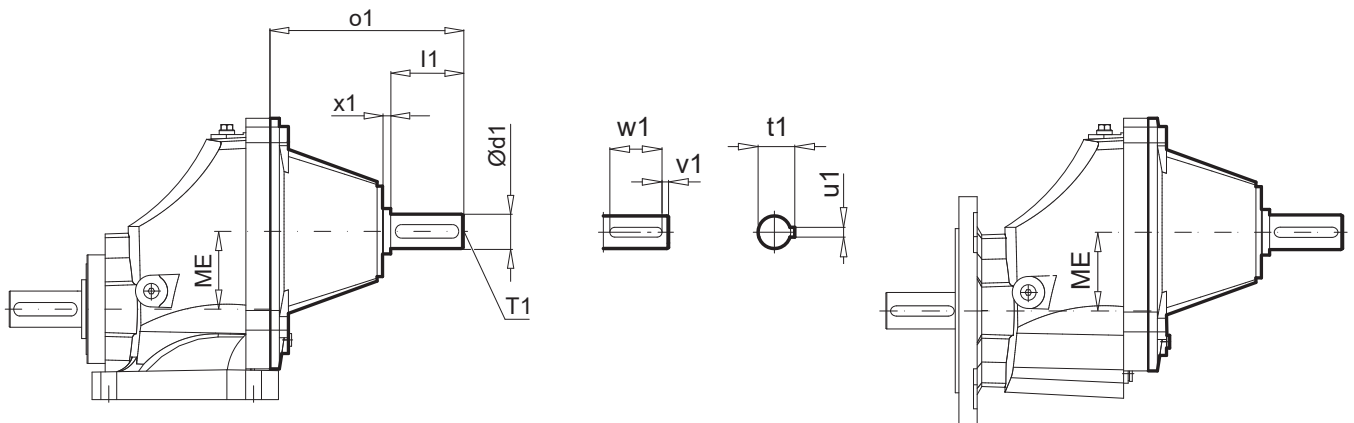
SK 071.1 - SK 771.1 - W
 SK 071.1 F - SK 771.1 F - W

NORDBLOC.1
 Helical gear unit

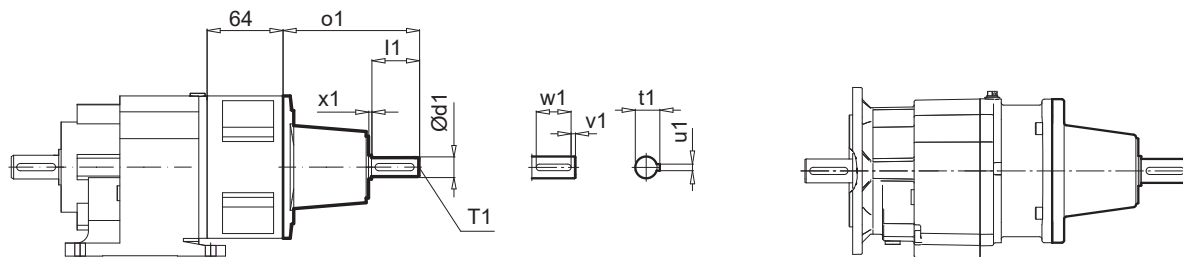
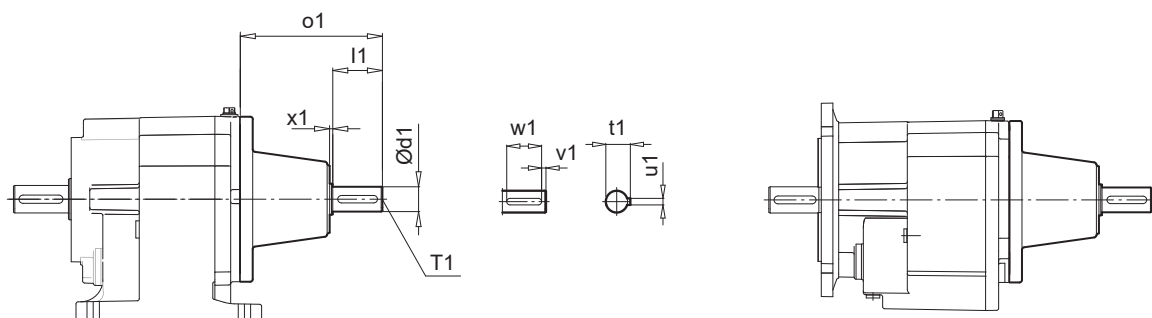
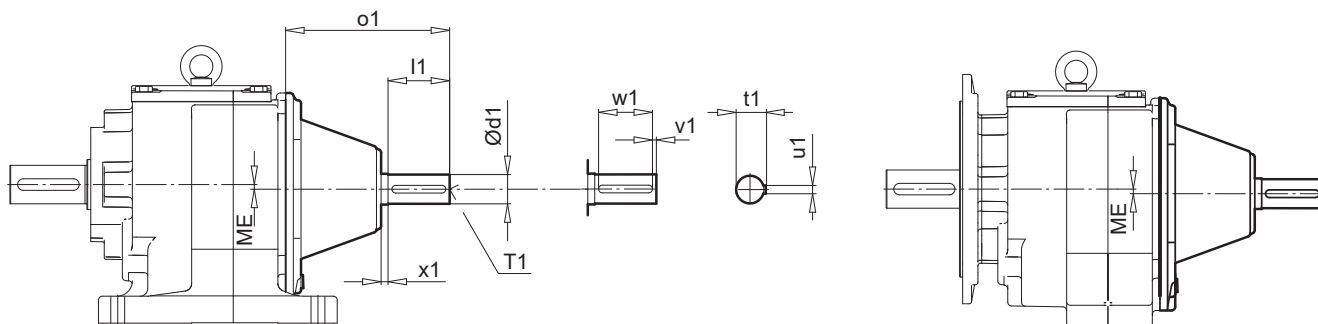


Type	ME	d1	l1	o1	x1	u1	t1	v1	w1	T1
SK 071.1 / SK 071.1 F	31,5	16	40	114,4	2,5	5	18	4	32	M5
SK 171.1 / SK 171.1 F	39	16	40	114,4	2,5	5	18	4	32	M6
SK 371.1 / SK 371.1 F	45	24	50	178,3	8	8	28	3	40	M10
SK 571.1 / SK 571.1 F	57,5	24	50	178,3	8	8	27	3	40	M10
SK 771.1 / SK 771.1 F	77	24	50	178,3	8	8	27	3	40	M16

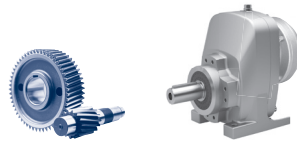
SK 871.1 VX - SK 1071.1 VX - W
 SK 871.1 VF - SK 1071.1 VF - W



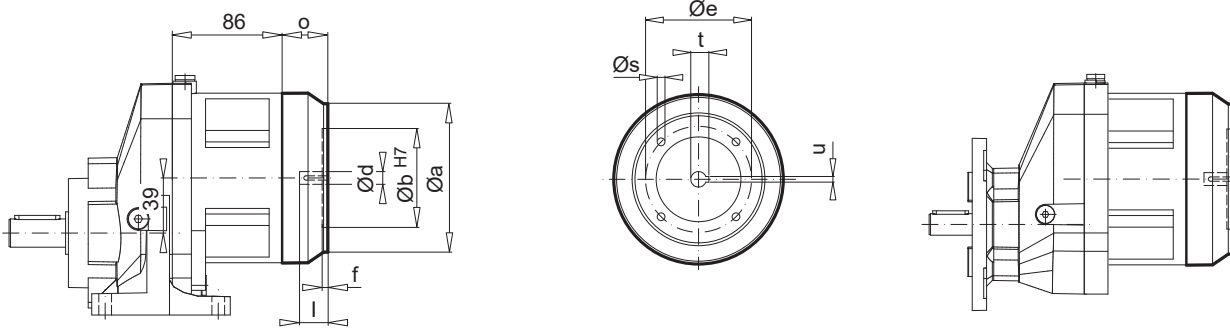
Type	ME	d1	l1	o1	x1	u1	t1	v1	w1	T1
SK 871.1 VX / SK 871.1 VF	86	38	80	212,2	8	10	41	5	70	M16
SK 971.1 VX / SK 971.1 VF	106	38	80	212,2	8	10	41	5	70	M16
SK 1071.1 VX / SK 1071.1 VF	122	42	110	288	8	12	45	10	90	M20


SK 172.1 - W
SK 172.1F - W

SK 372.1 SK 373.1 SK572.1 SK 573.1 SK 672.1 SK 673.1 - W
SK 372.1F SK 373.1F SK572.1F SK 573.1F SK 672.1F SK 673.1F - W

SK 772.1 SK 773.1 SK872.1 SK 873.1 SK 972.1 SK 973.1 - W
SK 772.1F SK 773.1F SK872.1F SK 873.1F SK 972.1F SK 973.1F - W

NORDBLOC.1
 Helical gear unit

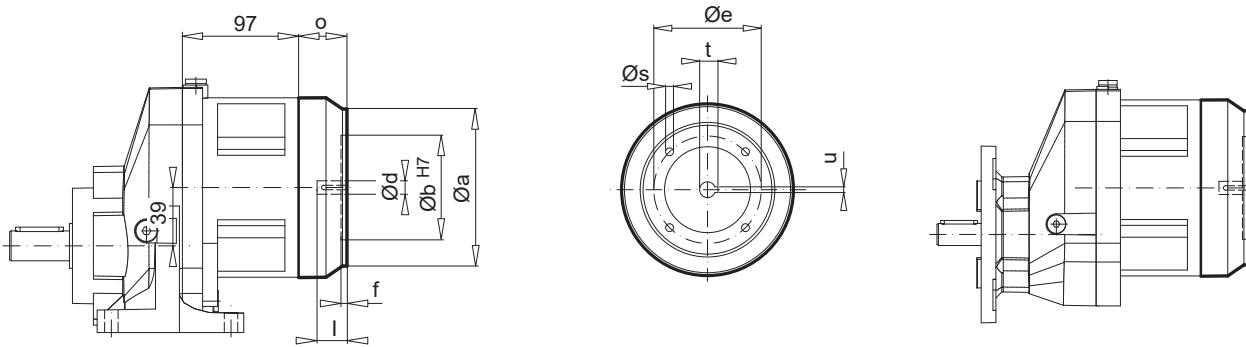
Type	ME	d1	l1	o1	x1	u1	t1	v1	w1	T1
SK 172.1 / SK 172.1 F	-	16	40	114,5	2,5	5	18	4	32	M6
SK 372.1 / SK 372.1 F SK 373.1 / SK 373.1 F	-	24	50	177,5	8	8	27	5	40	M8
SK 572.1 / SK 572.1 F SK 573.1 / SK 573.1 F	-	24	50	177,5	8	8	27	5	40	M8
SK 672.1 / SK 672.1 F SK 673.1 / SK 673.1 F	7	24	50	177,5	8	8	27	5	40	M8
SK 772.1 / SK 772.1 F SK 773.1 / SK 773.1 F	5	24	50	172	8	8	27	5	40	M8
SK 872.1 / SK 872.1 F SK 873.1 / SK 873.1 F	6	28	60	213	8	8	31	5	50	M10
SK 972.1 / SK 972.1 F SK 973.1 / SK 973.1 F	11,5	38	80	213	8	10	41	5	70	M12



SK 071.1 (F) - IEC 56 ... 80



SK 171.1 (F) - IEC 56 ... 90

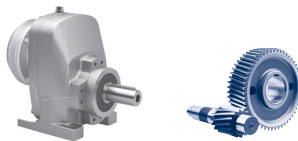
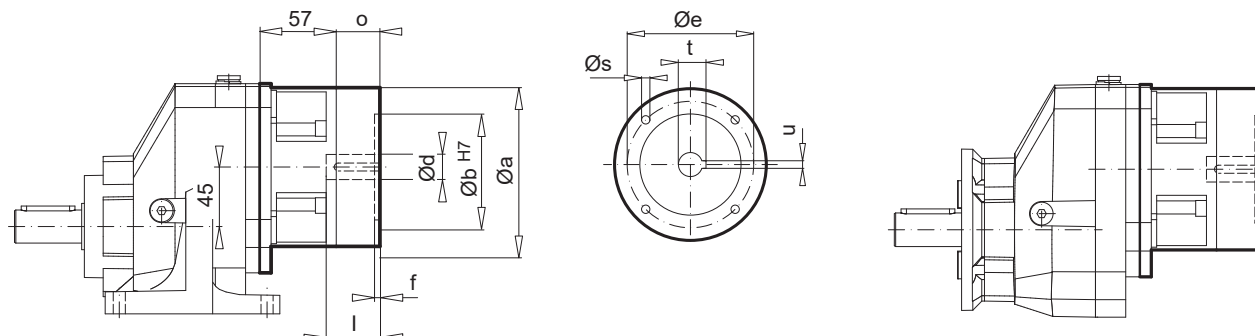


IEC	Ø a	Ø b	Ø e	f	Ø s	o	Ø d	l	t	u
56 - C105	105	70	85	4,0	7	32,5	9	20	11,4	3
56 - A120	120	80	100	4,0	6,6	32,5	9	20	11,4	3
63 - C90	90	60	75	4,0	5,5	32,5	11	23	12,8	4
63 - C120	120	80	100	4,0	6,6	32,5	11	23	12,8	4
63 - A140	140	95	115	4,0	9	32,5	11	23	12,8	4
71 - C105	105	70	85	4,0	7	32,5	14	30	16,3	5
71 - C140	140	95	115	4,0	9	32,5	14	30	16,3	5
71 - A160	160	110	130	4,0	9	32,5	14	30	16,3	5
80 - C120	120	80	100	4,0	6,6	32,5	19	40	21,8	6
80 - C160	160	110	130	4,0	9	32,5	19	40	21,8	6
80 - A200	200	130	165	4,0	M10	32,5	19	40	21,8	6
90 - C140	140	95	115	4,0	9	45,5	24	50	27,3	8
90 - C160	160	110	130	4,0	9	45,5	24	50	27,3	8
90 - A200	200	130	165	4,0	M10	45,5	24	50	27,3	8

SK 171.1 (F) - NEMA

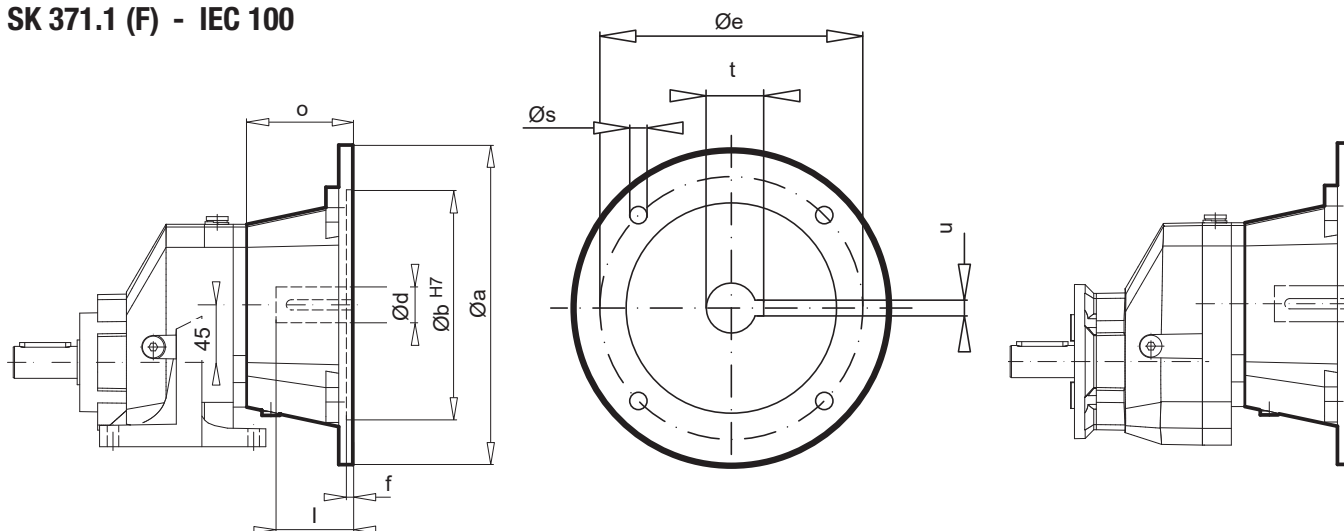
NEMA	Ø a	Ø b	Ø e	f	Ø s	o	Ø d	l	t	u
N56C	166	114,3	149,2	4,5	11	37	15,9	52,3	18,0	5
N140TC	166	114,3	149,2	4,5	11	49	22,2	53,8	24,4	5

NORDBLOC.1
Helical gear unit


SK 371.1 (F) - IEC 63 ... 90


IEC	Ø a	Ø b	Ø e	f	Ø s	o	Ø d	l	t	u
63 - C90	90	60	75	4	5,5	32,5				
63 - C120	120	80	100	4	6,6	32,5	11	23	12,8	4
63 - A140	140	95	115	4	9	32,5				
71 - C105	105	70	85	4	7	32,5				
71 - C140	140	95	115	4	9	32,5	14	30	16,3	5
71 - A160	160	110	130	4	9	32,5				
80 - C120	120	80	100	4	6,6	32,5				
80 - C160	160	110	130	4	9	32,5	19	40	21,8	6
80 - A200	200	130	165	4	M10	32,5				
90 - C140	140	95	115	4	9	45,5				
90 - C160	160	110	130	4	9	45,5	24	50	27,3	8
90 - A200	200	130	165	4	M10	45,5				

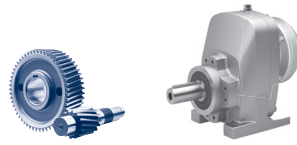
NORDBLOC.1
Helical gear unit

SK 371.1 (F) - IEC 100


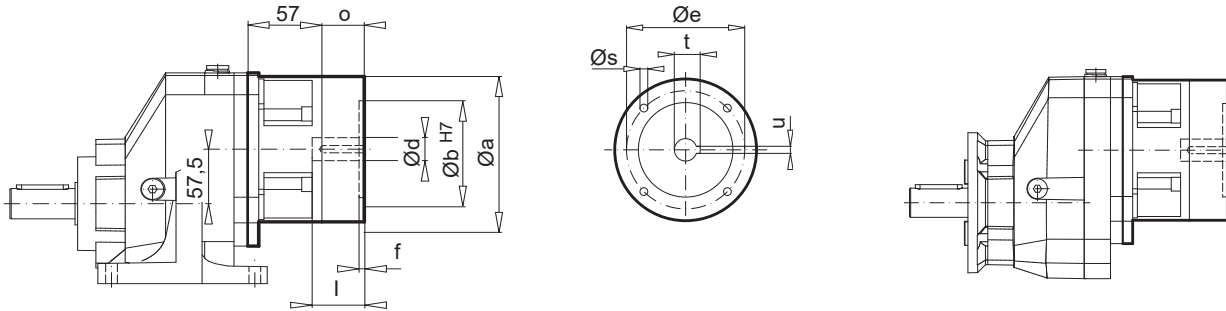
IEC	Ø a	Ø b	Ø e	f	Ø s	o	Ø d	l	t	u
100	250	180	215	5,0	M12	83	28	60	31,3	8

SK 371.1 (F) - NEMA

NEMA	Ø a	Ø b	Ø e	f	Ø s	o	Ø d	l	t	u
N56C	166	114,3	149,2	4,5	11	37	15,9	52,3	18,0	5
N140TC	166	114,3	149,2	4,5	11	49	22,2	53,8	24,4	5
N180TC	233	215,9	184,2	5,8	14	54,8	28,6	72,5	31,8	6



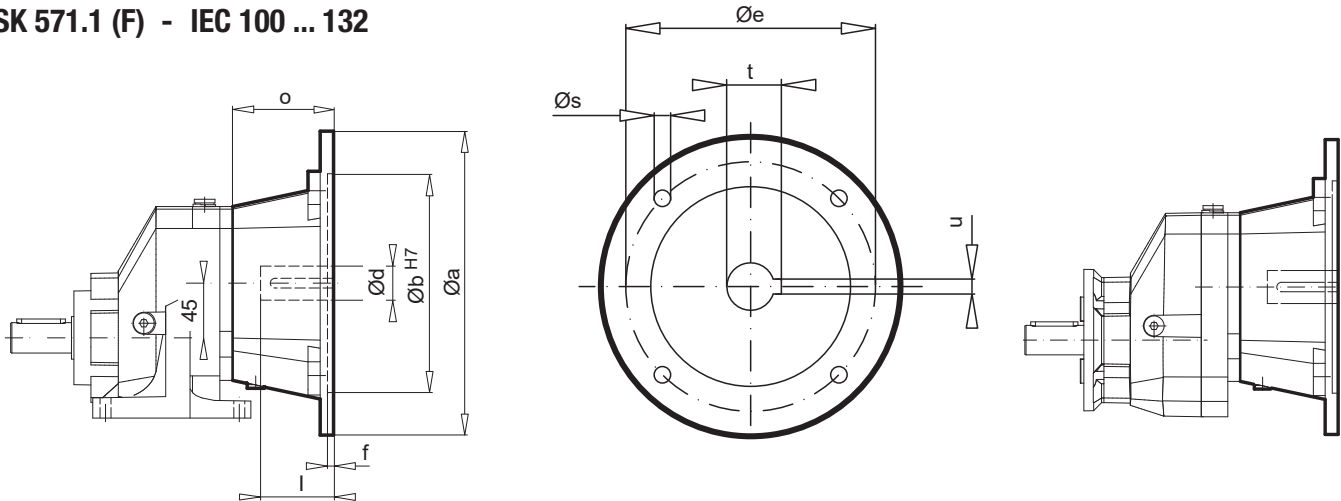
SK 571.1 (F) - IEC 63 ... 90



NORDBLOC.1
Helical gear unit

IEC	Ø a	Ø b	Ø e	f	Ø s	o	Ø d	l	t	u
63 - C90	90	60	75	4	5,5	32,5				
63 - C120	120	80	100	4	6,6	32,5	11	23	12,8	4
63 - A140	140	95	115	4	9	32,5				
71 - C105	105	70	85	4	7	32,5				
71 - C140	140	95	115	4	9	32,5	14	30	16,3	5
71 - A160	160	110	130	4	9	32,5				
80 - C120	120	80	100	4	6,6	32,5				
80 - C160	160	110	130	4	9	32,5	19	40	21,8	6
80 - A200	200	130	165	4	M10	32,5				
90 - C140	140	95	115	4	9	45,5				
90 - C160	160	110	130	4	9	45,5	24	50	27,3	8
90 - A200	200	130	165	4	M10	45,5				

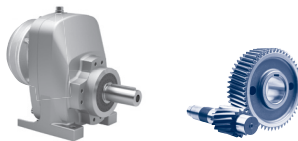
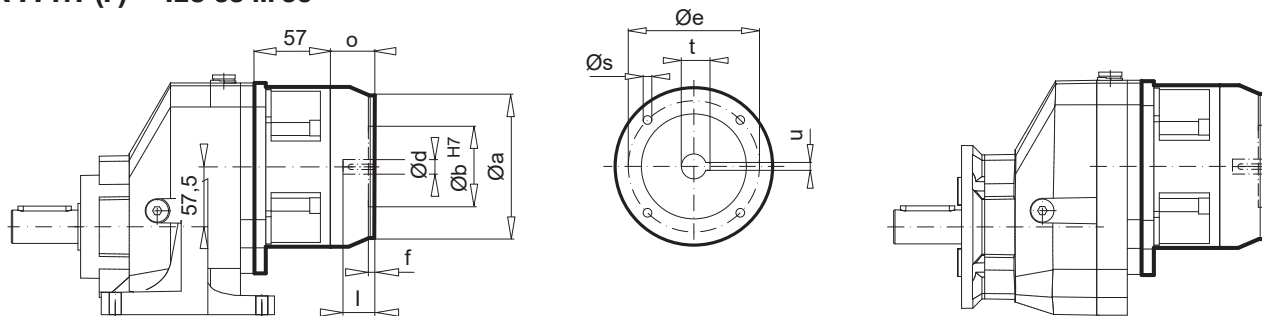
SK 571.1 (F) - IEC 100 ... 132



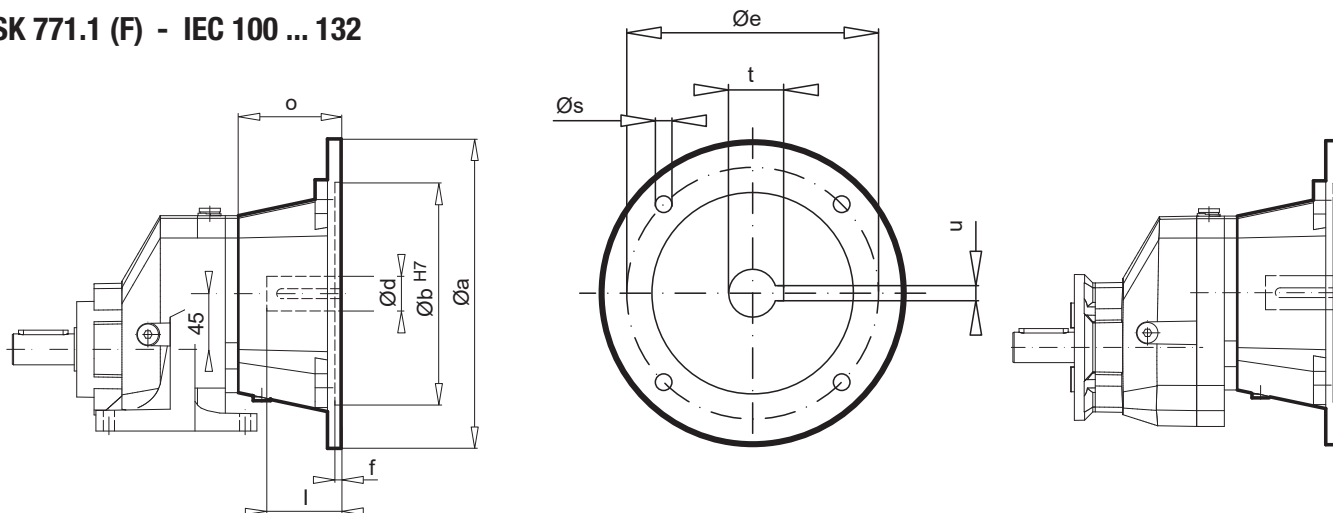
IEC	Ø a	Ø b	Ø e	f	Ø s	o	Ø d	l	t	u
100	250	180	215	5,0	M12	83	28	60	31,3	8
112	250	180	215	5,0	M12	83	28	60	31,3	8
132	300	230	265	5,0	M12	111	38	80	41,3	10

SK 571.1 (F) - NEMA

NEMA	Ø a	Ø b	Ø e	f	Ø s	o	Ø d	l	t	u
N56C	166	114,3	149,2	4,5	11	37	15,9	52,3	18,0	5
N140TC	166	114,3	149,2	4,5	11	49	22,2	53,8	24,4	5
N180TC	233	215,9	184,2	5,8	14	54,8	28,6	72,5	31,8	6


SK 771.1 (F) - IEC 63 ... 90


IEC	$\varnothing a$	$\varnothing b$	$\varnothing e$	f	$\varnothing s$	o	$\varnothing d$	l	t	u
63 - C90	90	60	75	4	5,5	32,5				
63 - C120	120	80	100	4	6,6	32,5	11	23	12,8	4
63 - A140	140	95	115	4	9	32,5				
71 - C105	105	70	85	4	7	32,5				
71 - C140	140	95	115	4	9	32,5	14	30	16,3	5
71 - A160	160	110	130	4	9	32,5				
80 - C120	120	80	100	4	6,6	32,5				
80 - C160	160	110	130	4	9	32,5	19	40	21,8	6
80 - A200	200	130	165	4	M10	32,5				
90 - C140	140	95	115	4	9	45,5				
90 - C160	160	110	130	4	9	45,5	24	50	27,3	8
90 - A200	200	130	165	4	M10	45,5				

SK 771.1 (F) - IEC 100 ... 132


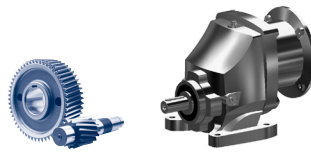
IEC	$\varnothing a$	$\varnothing b$	$\varnothing e$	f	$\varnothing s$	o	$\varnothing d$	l	t	u
100	250	180	215	5,0	M12	83	28	60	31,3	8
112	250	180	215	5,0	M12	83	28	60	31,3	8
132	300	230	265	5,0	M12	111	38	80	41,3	10

SK 771.1 (F) - NEMA

NEMA	$\varnothing a$	$\varnothing b$	$\varnothing e$	f	$\varnothing s$	o	$\varnothing d$	l	t	u
N56C	166	114,3	149,2	4,5	11	37	15,9	52,3	18,0	5
N140TC	166	114,3	149,2	4,5	11	49	22,2	53,8	24,4	5
N180TC	233	215,9	184,2	5,8	14	54,8	28,6	72,5	31,8	6

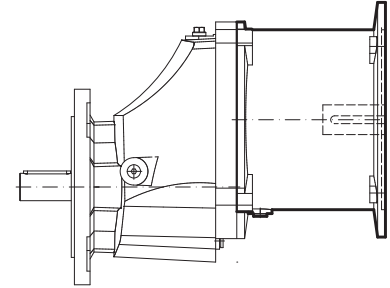
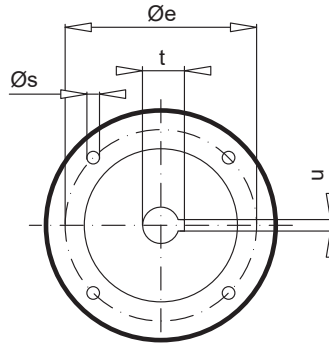
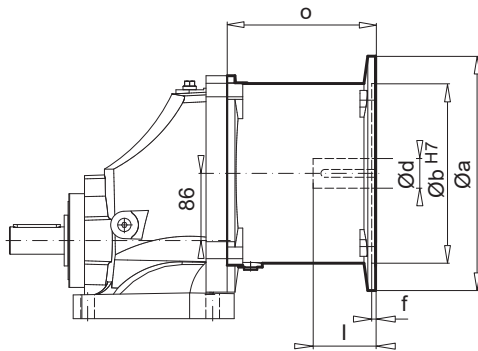
NORDBLOC.1
Helical gear unit

IEC, AI NEMA, AN



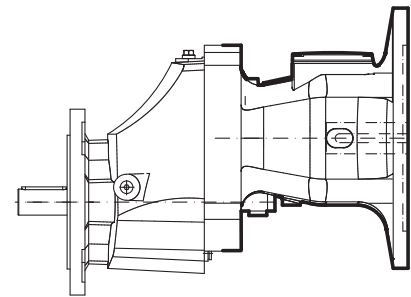
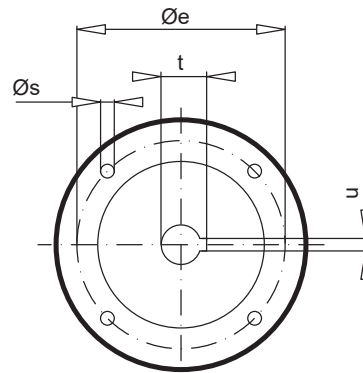
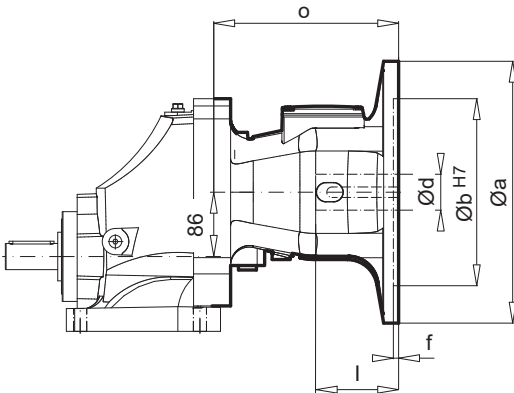
SK 871.1 (F) - IEC 90 ... 132

SK 971.1 (F) - IEC 100 ... 132



SK 871.1 (F) - AI 160, 180

SK 971.1 (F) - AI 160, 180, 200



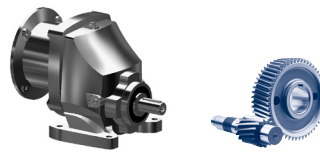
IEC / AI	Ø a	Ø b	Ø e	f	Ø s	o	Ø d	l	t	u
IEC 90	200	130	165	4,0	M10	108,5	24	50	27,3	8
IEC 100	250	180	215	5,0	M12	133	28	60	31,3	8
IEC 112	250	180	215	5,0	M12	133	28	60	31,3	8
IEC 132	300	230	265	5,0	M12	190	38	80	41,3	10
AI 160	350	250	300	7,0	M16	247	42	110	45,3	12
AI 180	350	250	300	7,0	M16	247	48	110	51,8	14
AI 200	400	300	350	7,0	M16	251	55	110	59,3	16

SK 871.1 (F) - NEMA N56C ... N250TC, AN250TC

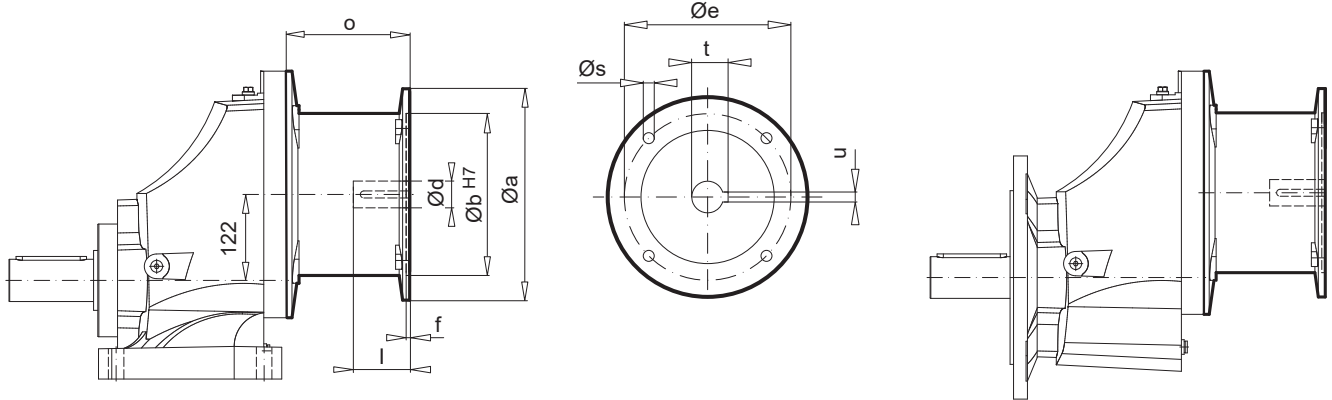
SK 971.1 (F) - NEMA N56C ... N280TC, AN250TC, AN280TC

NEMA / AN	Ø a	Ø b	Ø e	f	Ø s	o	Ø d	l	t	u
N56C	166	114,3	149,2	4,5	11	37	15,9	52,3	18,0	5
N140TC	166	114,3	149,2	4,5	11	49	22,2	53,8	24,4	5
N180TC	233	215,9	184,2	5,8	14	54,8	28,6	72,5	31,8	6
N210TC	233	215,9	184,2	5,8	15	201	34,9	79,2	38,6	8
N250TC	233	215,9	184,2	5,8	15	201	41,3	95,2	45,7	10
N280TC	350	266,7	228,6	5,8	13,5	217	47,6	111,2	51,6	13
AN250TC	233	215,9	184,2	5,8	13,5	235,8	41,3	95,2	45,7	10
AN280TC	350	266,7	228,6	5,8	13,5	252,8	47,6	111,2	51,6	13

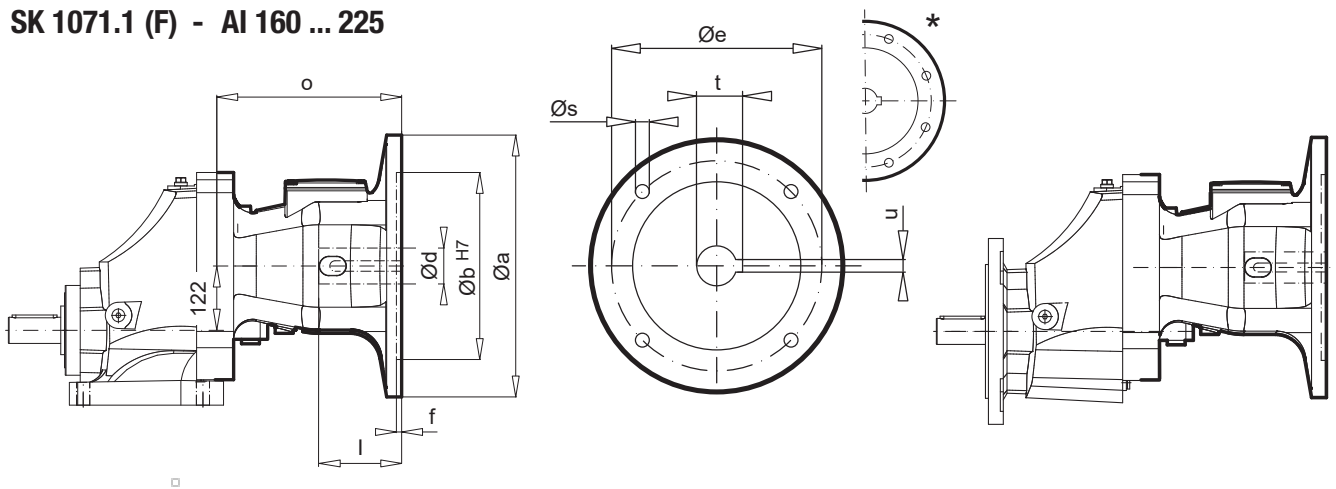
NORDBLOC.1
Helical gear unit



SK 1071.1 (F) - IEC 100 ... 132



SK 1071.1 (F) - AI 160 ... 225

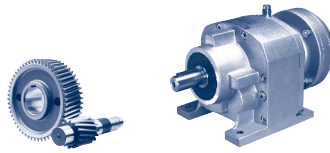


NORDBLOC.1
Helical gear unit

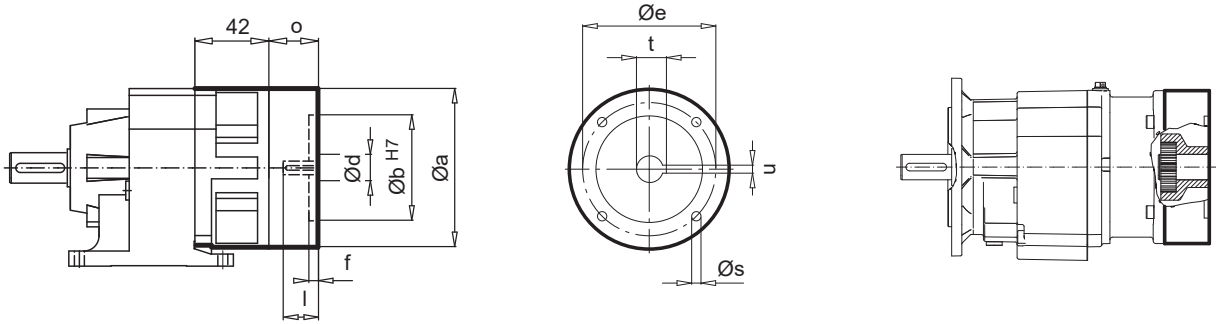
IEC / AI	Ø a	Ø b	Ø e	f	Ø s	o	Ø d	l	t	u
IEC 100	250	180	215	5	M12	127	28	60	31,3	8
IEC 112	250	180	215	5	M12	127	28	60	31,3	8
IEC 132	300	230	265	5	M12	177	38	80	41,3	10
AI 160	350	250	300	7,0	M16	247	42	110	45,3	12
AI 180	350	250	300	7,0	M16	247	48	110	51,8	14
AI 200	400	300	350	7,0	M16	251	55	110	59,3	16
AI 225 *	450	350	400	7,0	M16	303	60	140	64,4	18

SK 1071.1 (F) - NEMA N180TC ... N280TC, AN250TC, AN280TC

NEMA / AN	Ø a	Ø b	Ø e	f	Ø s	o	Ø d	l	t	u
N180TC	233	215,9	184,2	5,8	14	54,8	28,6	72,5	31,8	6
N210TC	233	215,9	184,2	5,8	15	201	34,9	79,2	38,6	8
N250TC	233	215,9	184,2	5,8	15	201	41,3	95,2	45,7	10
N280TC	350	266,7	228,6	5,8	13,5	217	47,6	111,2	51,6	13
AN250TC	233	215,9	184,2	5,8	13,5	235,8	41,3	95,2	45,7	10
AN280TC	350	266,7	228,6	5,8	13,5	252,8	47,6	111,2	51,6	13



SK 172.1 (F) - IEC 56 ... 90



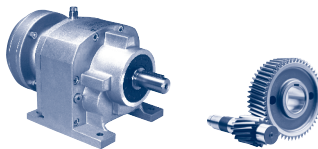
NORDBLOC.1
Helical gear unit

IEC	Ø a	Ø b	Ø e	f	Ø s	o	Ø d	l	t	u
56 - C105	105	70	85	4,0	7	32,5	9	20	11,4	3
56 - A120	120	80	100	4,0	6,6	32,5				
63 - C90 *	90	60	75	4,0	5,5	32,5	11	23	12,8	4
63 - C120	120	80	100	4,0	6,6	32,5				
63 - A140	140	95	115	4,0	9	32,5				
71 - C105 *	105	70	85	4,0	7	32,5	14	30	16,3	5
71 - C140	140	95	115	4,0	9	32,5				
71 - A160	160	110	130	4,0	9	32,5				
80 - C120 *	120	80	100	4,0	6,6	32,5	19	40	21,8	6
80 - C160	160	110	130	4,0	9	32,5				
80 - A200	200	130	165	4,0	M10	32,5				
90 - C140 *	140	95	115	4,0	9	45,5	24	50	27,3	8
90 - C160	160	110	130	4,0	9	45,5				
90 - A200	200	130	165	4,0	M10	45,5				

* priority series

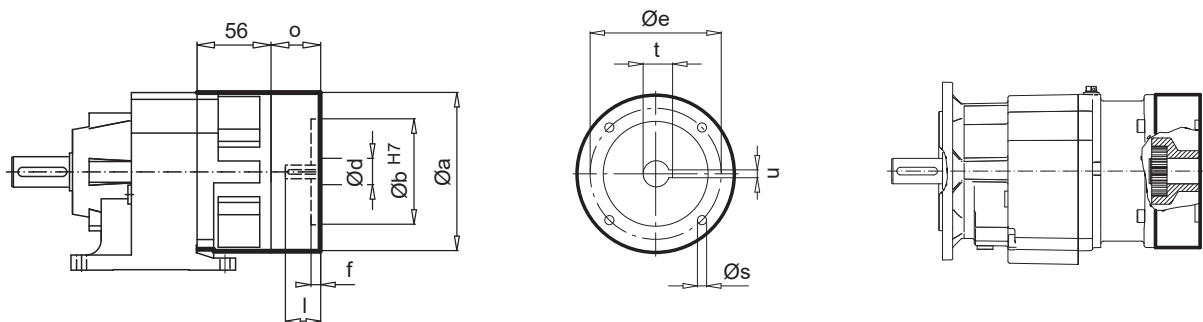
SK 172.1 (F) - NEMA

NEMA	Ø a	Ø b	Ø e	f	Ø s	o	Ø d	l	t	u
N56C	166	114,3	149,2	4,5	11	37	15,9	52,3	18,0	5
N140TC	166	114,3	149,2	4,5	11	49	22,2	53,8	24,4	5



SK 372.1 (F) - IEC 63 ... 90

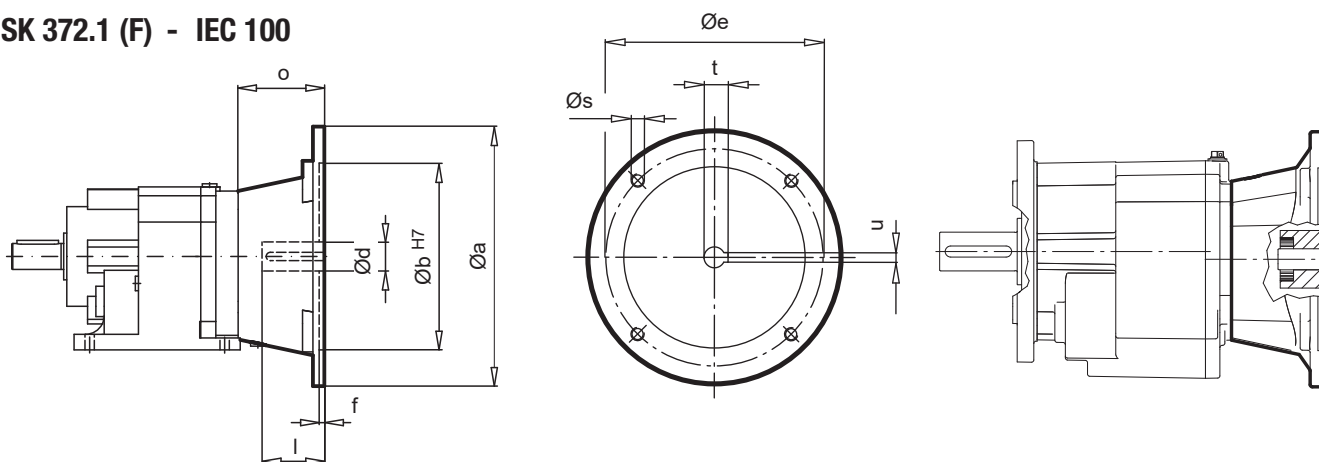
SK 373.1 (F) - IEC 63 ... 90



IEC	Ø a	Ø b	Ø e	f	Ø s	o	Ø d	l	t	u
63 - C90 *	90	60	75	4,0	5,5	32,5				
63 - C120	120	80	100	4,0	6,6	32,5	11	23	12,8	4
63 - A140	140	95	115	4,0	9	32,5				
71 - C105 *	105	70	85	4,0	7	32,5				
71 - C140	140	95	115	4,0	9	32,5	14	30	16,3	5
71 - A160	160	110	130	4,0	9	32,5				
80 - C120 *	120	80	100	4,0	6,6	32,5				
80 - C160	160	110	130	4,0	9	32,5	19	40	21,8	6
80 - A200	200	130	165	4,0	M10	32,5				
90 - C140 *	140	95	115	4,0	9	45,5				
90 - C160	160	110	130	4,0	9	45,5	24	50	27,3	8
90 - A200	200	130	165	4,0	M10	45,5				

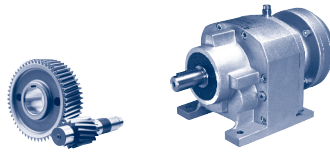
* priority series

SK 372.1 (F) - IEC 100



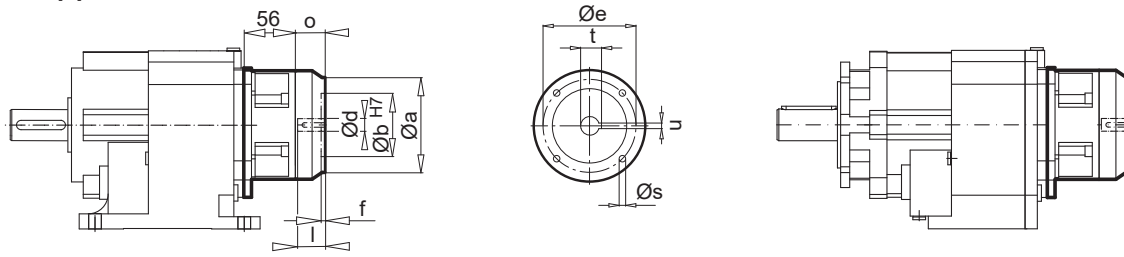
IEC	Ø a	Ø b	Ø e	f	Ø s	o	Ø d	l	t	u
100	250	180	215	5,0	M12	83	28	60	31,3	8

NORDBLOC.1
Helical gear unit



SK 572.1 (F) - IEC 63 ... 90

SK 573.1 (F) - IEC 63 ... 90

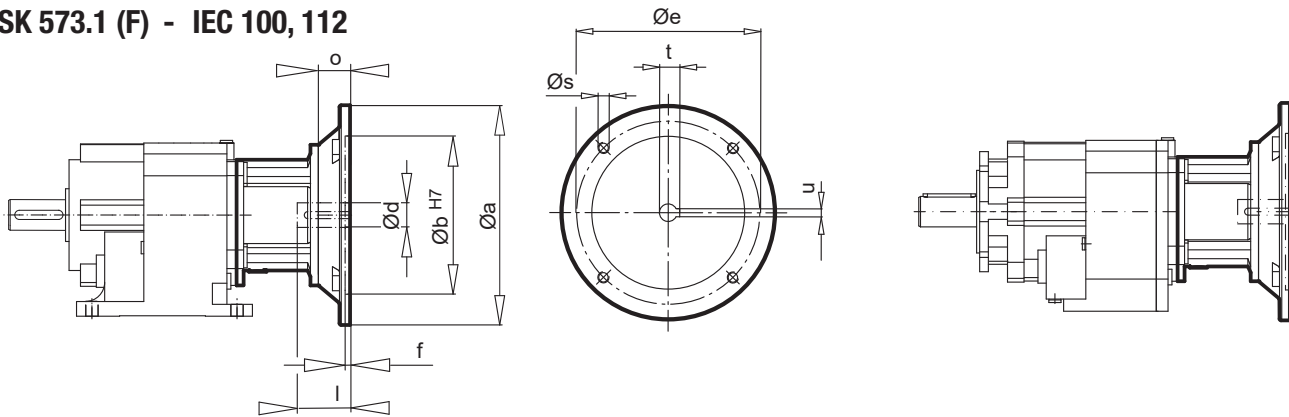


IEC	$\varnothing a$	$\varnothing b$	$\varnothing e$	f	$\varnothing s$	o	$\varnothing d$	l	t	u
63 - C90 *	90	60	75	4,0	5,5	32,5				
63 - C120	120	80	100	4,0	6,6	32,5	11	23	12,8	4
63 - A140	140	95	115	4,0	9	32,5				
71 - C105 *	105	70	85	4,0	7	32,5				
71 - C140	140	95	115	4,0	9	32,5	14	30	16,3	5
71 - A160	160	110	130	4,0	9	32,5				
80 - C120 *	120	80	100	4,0	6,6	32,5				
80 - C160	160	110	130	4,0	9	32,5	19	40	21,8	6
80 - A200	200	130	165	4,0	M10	32,5				
90 - C140 *	140	95	115	4,0	9	45,5				
90 - C160	160	110	130	4,0	9	45,5	24	50	27,3	8
90 - A200	200	130	165	4,0	M10	45,5				

* priority series

SK 572.1 (F) - IEC 100, 112

SK 573.1 (F) - IEC 100, 112



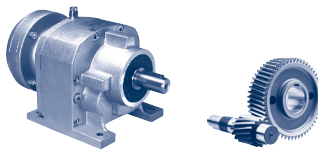
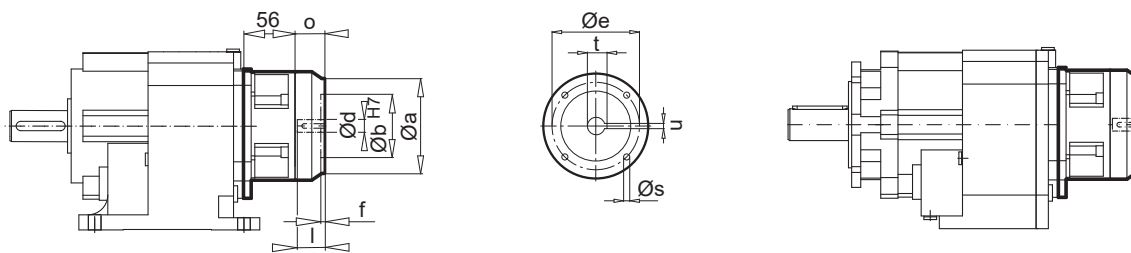
IEC	$\varnothing a$	$\varnothing b$	$\varnothing e$	f	$\varnothing s$	o	$\varnothing d$	l	t	u
100	250	180	215	5,0	M12	36	28	60	31,3	8
112	250	180	215	5,0	M12	36	28	60	31,3	8

SK 572.1 (F) - NEMA

SK 573.1 (F) - NEMA

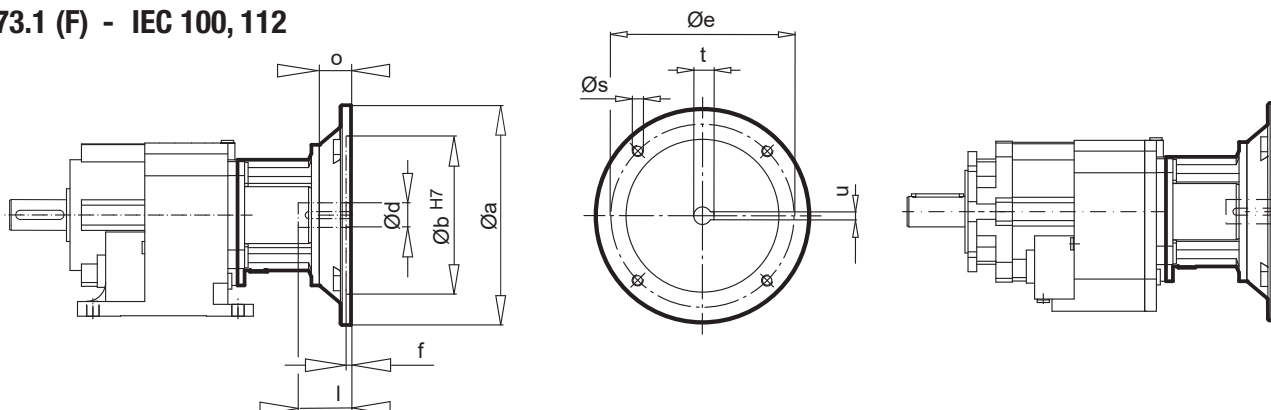
NEMA	$\varnothing a$	$\varnothing b$	$\varnothing e$	f	$\varnothing s$	o	$\varnothing d$	l	t	u
N56C	166	114,3	149,2	4,5	11	37	15,9	52,3	18,0	5
N140TC	166	114,3	149,2	4,5	11	49	22,2	53,8	24,4	5
N180TC	233	215,9	184,2	5,8	14	54,8	28,6	72,5	31,8	6

NORDBLOC.1
Helical gear unit


SK 672.1 (F) - IEC 63 ... 90
SK 673.1 (F) - IEC 63 ... 90


IEC	$\varnothing a$	$\varnothing b$	$\varnothing e$	f	$\varnothing s$	o	$\varnothing d$	l	t	u
63 - C90 *	90	60	75	4,0	5,5	32,5				
63 - C120	120	80	100	4,0	6,6	32,5	11	23	12,8	4
63 - A140	140	95	115	4,0	9	32,5				
71 - C105 *	105	70	85	4,0	7	32,5				
71 - C140	140	95	115	4,0	9	32,5	14	30	16,3	5
71 - A160	160	110	130	4,0	9	32,5				
80 - C120 *	120	80	100	4,0	6,6	32,5				
80 - C160	160	110	130	4,0	9	32,5	19	40	21,8	6
80 - A200	200	130	165	4,0	M10	32,5				
90 - C140 *	140	95	115	4,0	9	45,5				
90 - C160	160	110	130	4,0	9	45,5	24	50	27,3	8
90 - A200	200	130	165	4,0	M10	45,5				

* priority series

SK 672.1 (F) - IEC 100, 112
SK 673.1 (F) - IEC 100, 112


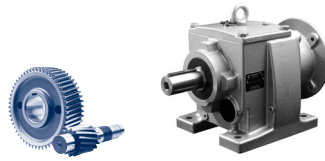
IEC	$\varnothing a$	$\varnothing b$	$\varnothing e$	f	$\varnothing s$	o	$\varnothing d$	l	t	u
100	250	180	215	5,0	M12	36	28	60	31,3	8
112	250	180	215	5,0	M12	36	28	60	31,3	8

SK 672.1 (F) - NEMA
SK 673.1 (F) - NEMA

NEMA	$\varnothing a$	$\varnothing b$	$\varnothing e$	f	$\varnothing s$	o	$\varnothing d$	l	t	u
N56C	166	114,3	149,2	4,5	11	37	15,9	52,3	18,0	5
N140TC	166	114,3	149,2	4,5	11	49	22,2	53,8	24,4	5
N180TC	233	215,9	184,2	5,8	14	54,8	28,6	72,5	31,8	6

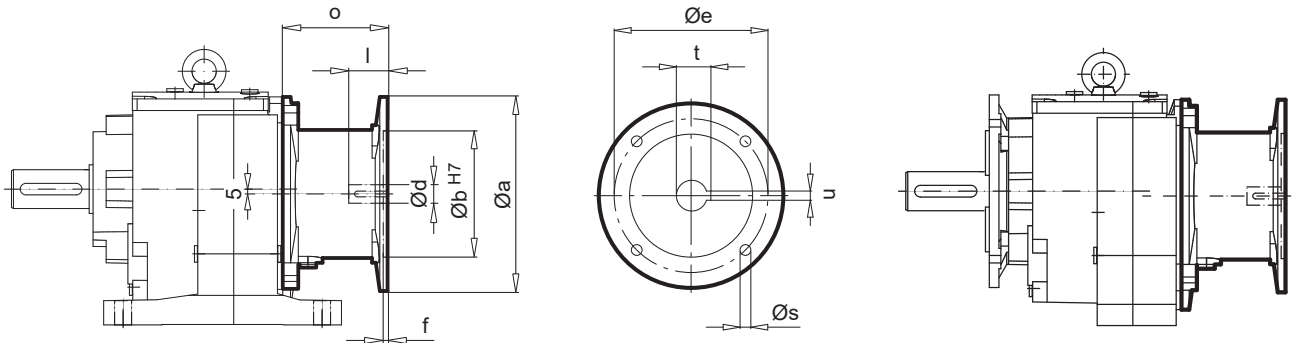
NORDBLOC.1
Helical gear unit

IEC, NEMA



SK 772.1 (F) - IEC 71 ... 132

SK 773.1 (F) - IEC 71 ... 132



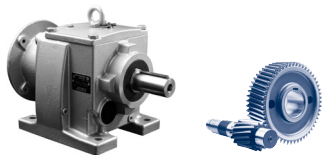
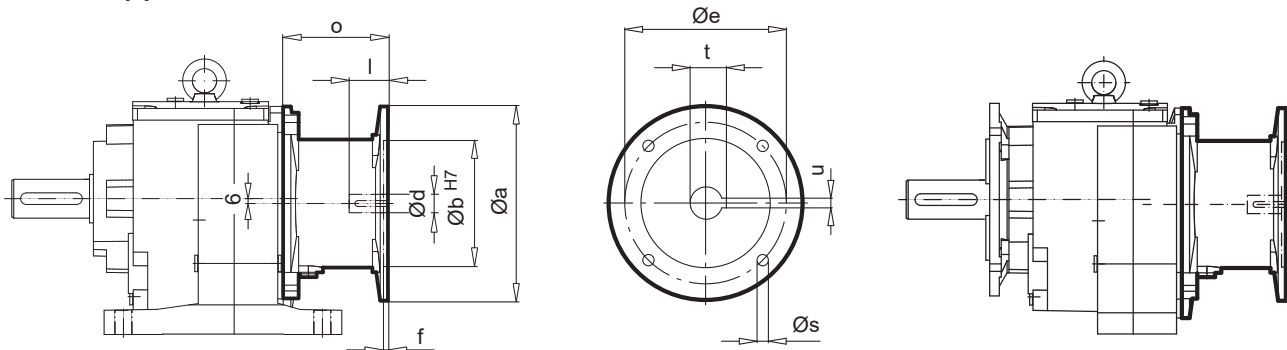
NORDBLOC.1
Helical gear unit

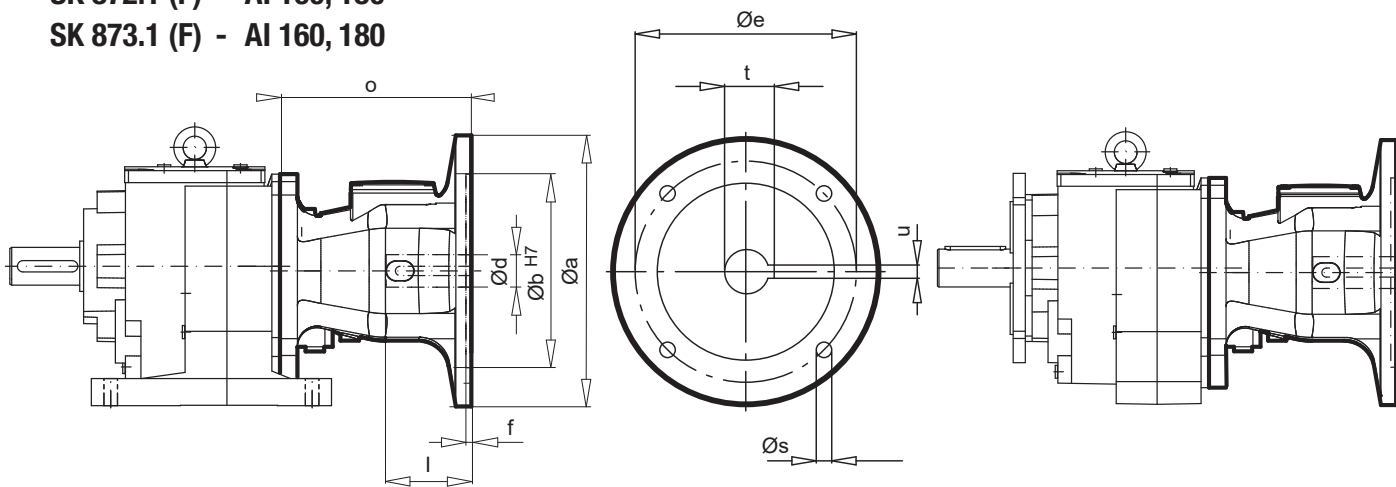
IEC	Ø a	Ø b	Ø e	f	Ø s	o	Ø d	l	t	u
IEC 71	160	110	130	4,5	M8	88	14	30	16,3	5
IEC 80	200	130	165	4,5	M10	108	19	40	21,8	6
IEC 90	200	130	165	4,5	M10	108	24	50	27,3	8
IEC 100	250	180	215	5,0	M12	125	28	60	31,3	8
IEC 112	250	180	215	5,0	M12	125	28	60	31,3	8
IEC 132	300	230	265	5,0	M12	156	38	80	41,3	10

SK 772.1 (F) - NEMA

SK 773.1 (F) - NEMA

NEMA	Ø a	Ø b	Ø e	f	Ø s	o	Ø d	l	t	u
N56C	166	114,3	149,2	4,5	11	117	15,9	52,3	18,0	5
N140TC	166	114,3	149,2	4,5	11	117	22,2	53,8	24,4	5
N180TC	233	215,9	184,2	5,8	15	140	28,6	66,6	31,5	6
N210TC	233	215,9	184,2	5,8	15	168,8	34,9	79,2	38,6	8


SK 872.1 (F) - IEC 90 ... 132
SK 873.1 (F) - IEC 90 ... 132

NORDBLOC.1
Helical gear unit

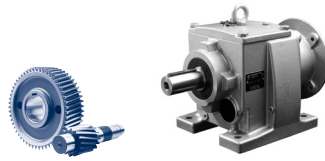
SK 872.1 (F) - AI 160, 180
SK 873.1 (F) - AI 160, 180


IEC / AI	Ø a	Ø b	Ø e	f	Ø s	o	Ø d	l	t	u
IEC 90	200	130	165	4,5	M10	108,5	24	50	27,3	8
IEC 100	250	180	215	5,0	M12	133	28	60	31,3	8
IEC 112	250	180	215	5,0	M12	133	28	60	31,3	8
IEC 132	300	230	265	5,0	M12	190	38	80	41,3	10
AI 160	350	250	300	7,0	M16	247	42	110	45,3	12
AI 180	350	259	300	7,0	M16	247	48	110	51,8	14

SK 872.1 (F) - NEMA
SK 873.1 (F) - NEMA

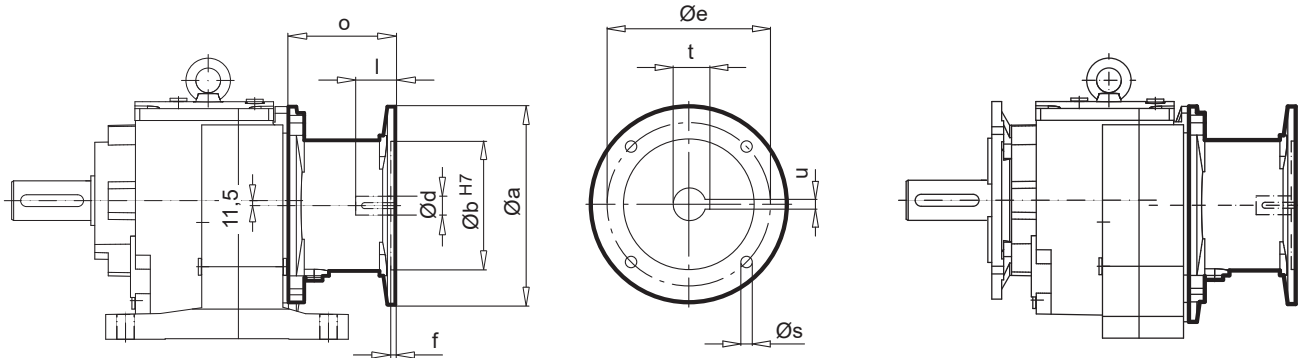
NEMA / AN	Ø a	Ø b	Ø e	f	Ø s	o	Ø d	l	t	u
N56C	166	114,3	149,2	4,5	11	117	15,9	52,3	18,0	5
N140TC	166	114,3	149,2	4,5	11	117	22,2	53,8	24,4	5
N180TC	233	215,9	184,2	5,8	15	140	28,6	66,6	31,5	6
N210TC	233	215,9	184,2	5,8	15	168,8	34,9	79,2	38,6	8
N250TC	233	215,9	184,2	5,8	15	201	41,3	95,2	45,7	10
N280TC	350	266,7	228,6	5,8	13,5	217	47,6	111,2	51,6	13
AN250TC	233	215,9	184,2	5,8	13,5	235,8	41,3	95,2	45,7	10
AN280TC	350	266,7	228,6	5,8	13,5	252,8	47,6	111,2	51,6	13

IEC, AI NEMA, AN



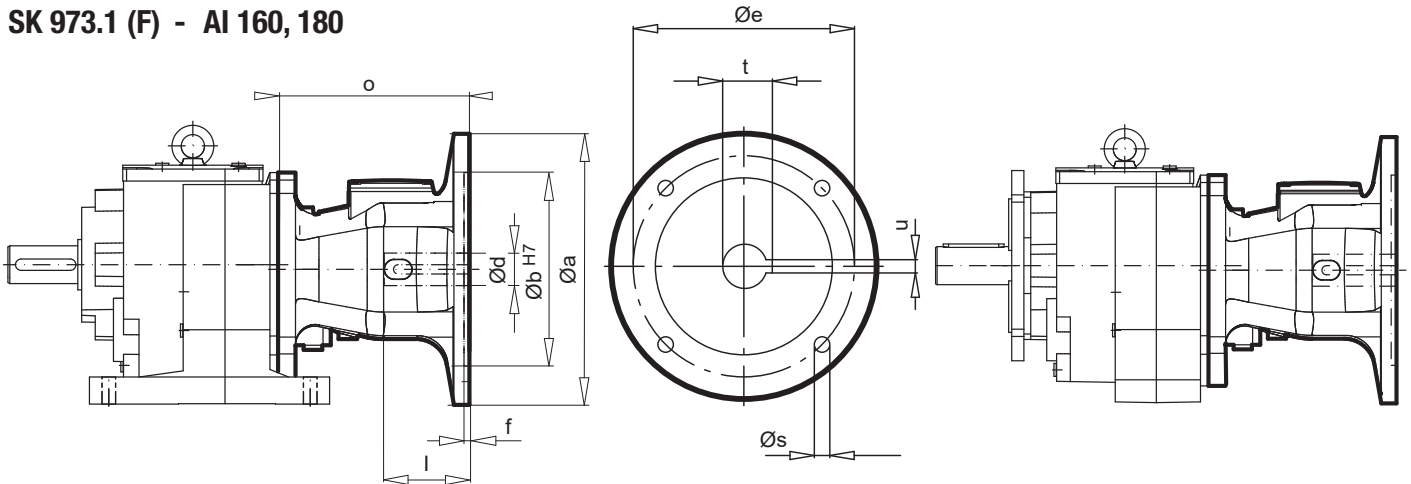
SK 972.1 (F) - IEC 90 ... 132

SK 973.1 (F) - IEC 90 ... 132



SK 972.1 (F) - AI 160, 180, 200

SK 973.1 (F) - AI 160, 180

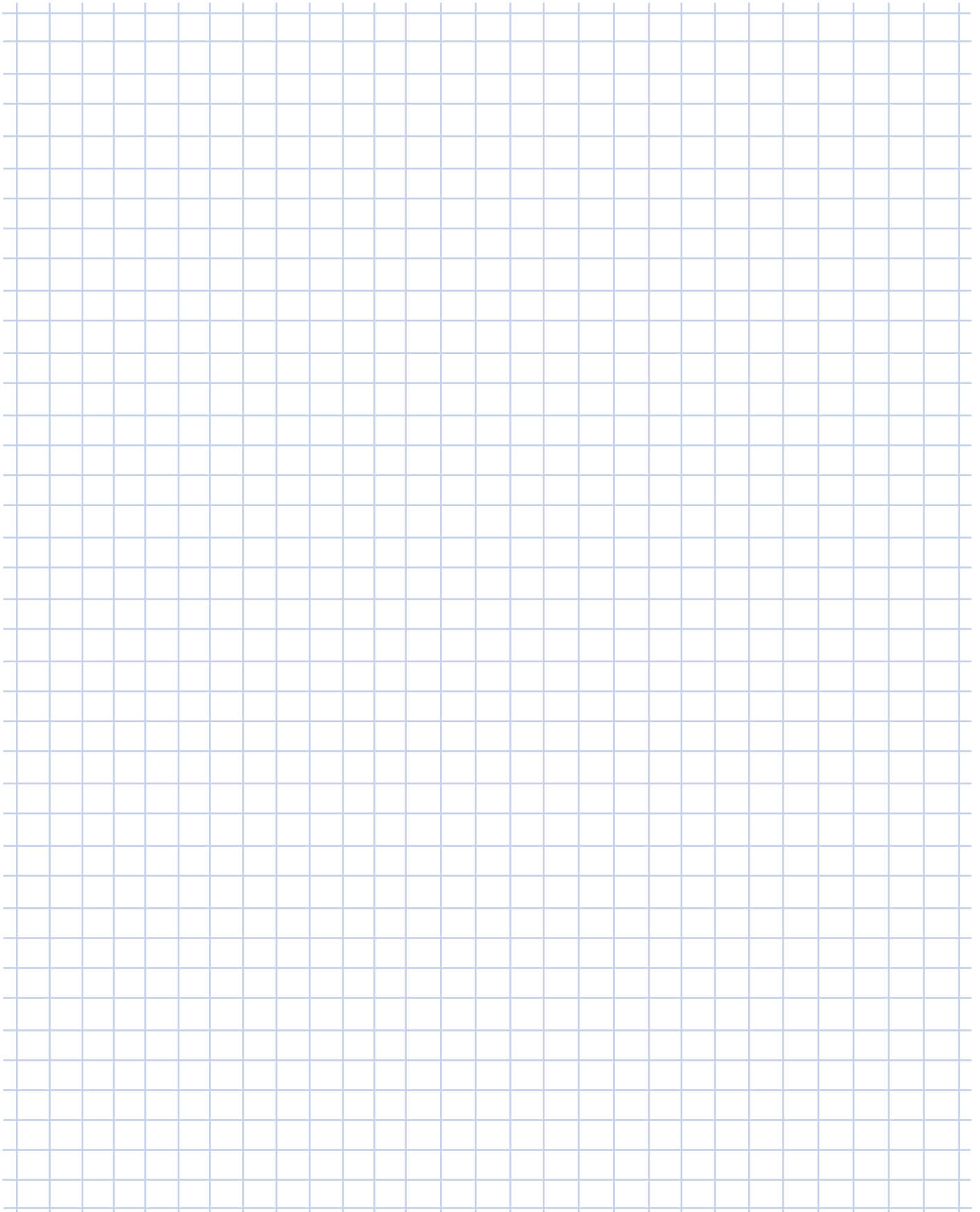


IEC / AI	Ø a	Ø b	Ø e	f	Ø s	o	Ø d	l	t	u
IEC 90	200	130	165	4,5	M10	108,5	24	50	27,3	8
IEC 100	250	180	215	5,0	M12	133	28	60	31,3	8
IEC 112	250	180	215	5,0	M12	133	28	60	31,3	8
IEC 132	300	230	265	5,0	M12	190	38	80	41,3	10
AI 160	350	250	300	7,0	M16	247	42	110	45,3	12
AI 180	350	250	300	7,0	M16	247	48	110	51,8	14
AI 200	400	300	350	7,0	M16	251	55	110	59,3	16

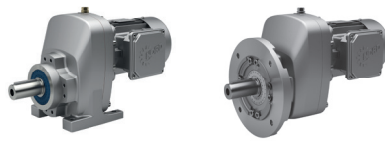
SK 972.1 (F) - NEMA

SK 973.1 (F) - NEMA

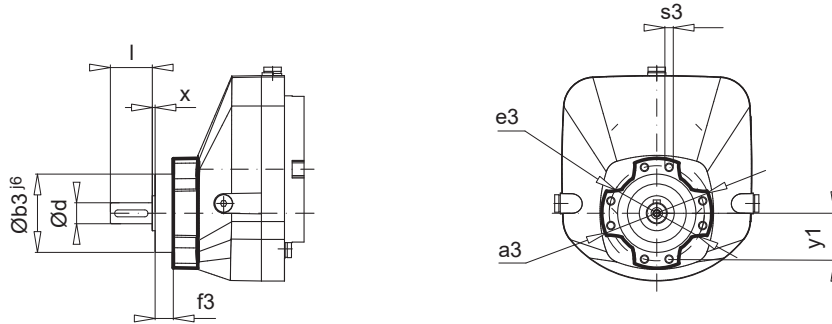
NEMA / AN	Ø a	Ø b	Ø e	f	Ø s	o	Ø d	l	t	u
N56C	166	114,3	149,2	4,5	11	110	15,9	52,3	18,0	5
N140TC	166	114,3	149,2	4,5	11	110	22,2	53,8	24,4	5
N180TC	233	215,9	184,2	5,8	15	143	28,6	66,6	31,5	6
N210TC	233	215,9	184,2	5,8	15	201	34,9	79,2	38,6	8
N250TC	233	215,9	184,2	5,8	15	201	41,3	95,2	45,7	10
N280TC	350	266,7	228,6	5,8	13,5	217	47,6	111,2	51,6	13
AN250TC	233	215,9	184,2	5,8	13,5	235,8	41,3	95,3	45,7	10
AN280TC	350	266,7	228,6	5,8	13,5	252,8	47,6	111,2	51,6	13



A large grid area for taking notes, consisting of a 20x30 grid of small squares.

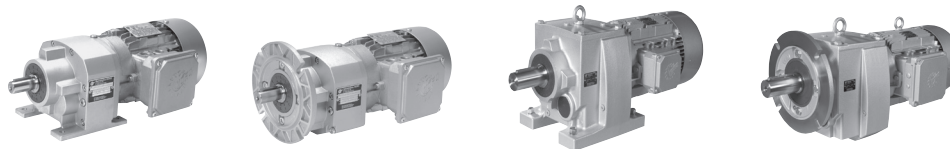
Z

SK 071.1 Z
SK 171.1 Z - SK 771.1 Z

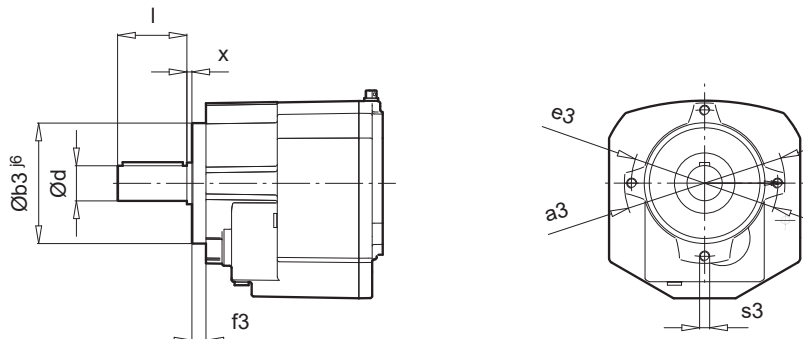


NORDBLOC.1
 Helical gear unit

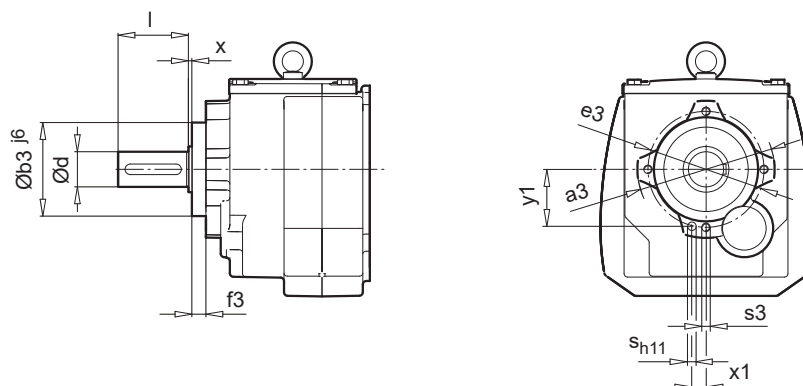
Type	$\varnothing a3$	$\varnothing b3$	$\varnothing e3$	$f3$	$s3$	$\varnothing d$	l	x	$y1$
SK 071.1 XF	78	56	68	13	M6 x 12	15	30	2	32,84
SK 171.1 XF	106	75	92	15	M8 x 18	20 25	40 50	2	44
SK 371.1 XF	106	75	92	15	M8 x 18	25 30	50 60	2	44
SK 571.1 XF	130	95	110	20	M8 x 18	30 35	60 70	3	53,99
SK 771.1 XF	130	95	110	20	M8 x 18	40	80	3	53,99



SK 072.1 Z / SK 172.1 Z
SK 372.1 Z - SK 672.1 Z
SK 373.1 Z - SK 673.1 Z



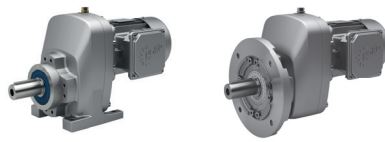
SK 772.1 Z - SK 972.1 Z
SK 773.1 Z - SK 973.1 Z



NORDBLOC.1
Helical gear unit

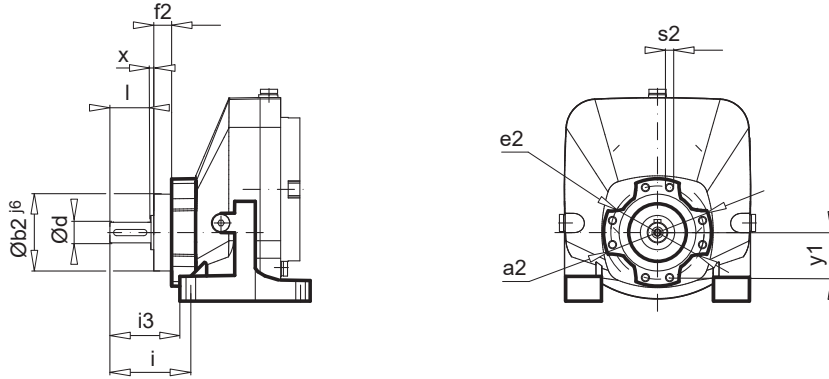
Type	Ø a3	Ø b3	Ø e3	f3	s3	Ø d	l	x	x1	y1	Ø sh11
SK 072.1 Z	80	56	68	12,5	M6 x 12	20	40	2	8,8	32,84	5 x 16
SK 172.1 Z	107	75	92	15	M8 x 18	20	40	2	12	44	8 x 14,5
SK 372.1 Z SK 373.1 Z	131	95	110	20	M8 x 16	25	50	3	10,49	53,99	6 x 20
SK 572.1 Z SK 573.1 Z	160	120	145	14	M10 x 17	35	70	4	17	70	8 x 20
SK 772.1 Z SK 773.1 Z	160	120	145	14	M10 x 17	30	60	4	17	70	8 x 20
SK 672.1 Z SK 673.1 Z	180	135	160	14	M10 x 20	35	70	4	20	77,5	10 x 20
SK 772.1 Z SK 773.1 Z	152	105	130	16	M12 x 15	40	80	4	20	61,85	12 x 20
SK 872.1 Z SK 873.1 Z	194	135	165	20	M12 x 20	50	100	5	25	79	12 x 30
SK 972.1 Z SK 973.1 Z	236	168	200	25	M16 x 25	60	120	6	28	96	16 x 35

XZ

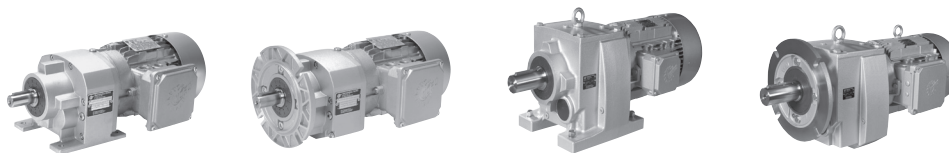


SK 071.1 XZ SK 171.1 XZ - SK 771.1 XZ

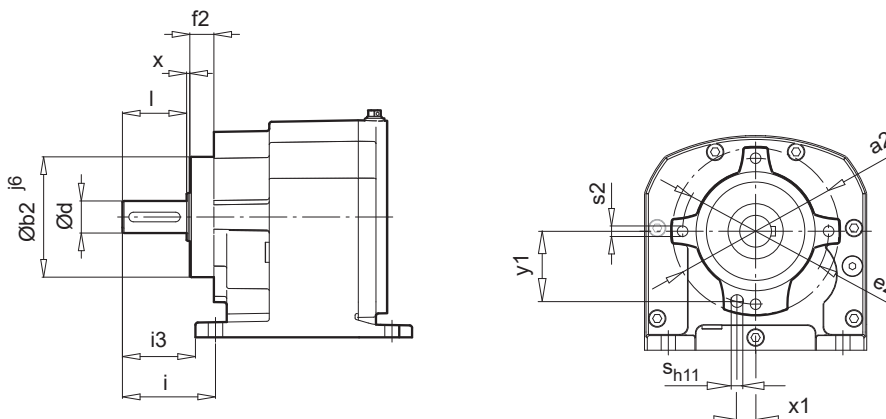
NORBLOC.1
Helical gear unit



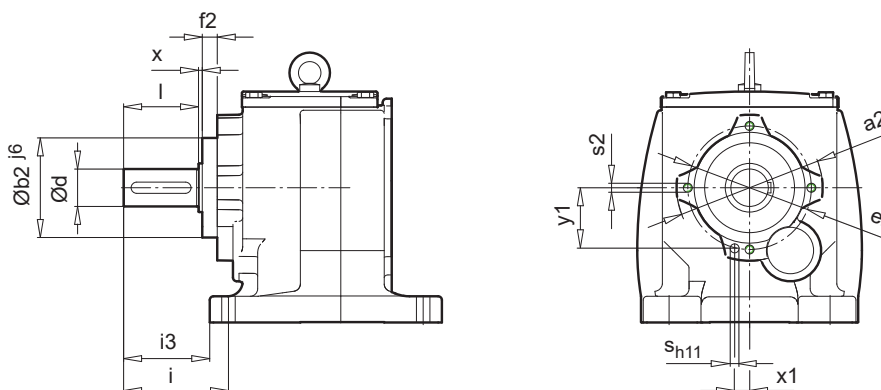
Type	Ø a2	Ø b2	Ø e2	f2	i	i3	s2	Ø d	l	x	y1
SK 071.1 XZ	78	56	68	13	59 69	51 61	M6 x 12	15 20	30 40	2	32,84
SK 171.1 XZ	106	75	92	14	68 78	58,5 68,5	M8 x 18	20 25	40 50	2	44
SK 371.1 XZ	106	75	92	14	78 88	67,5 77,5	M8 x 18	25 30	50 60	2	44
SK 571.1 XZ	130	95	110	19	97 107	85 95	M8 x 18	30 35	60 70	3	53,99
SK 771.1 XZ	130	95	110	19	120	106	M8 x 18	40	80	3	53,99



SK 072.1 XZ / SK 172.1 XZ
SK 372.1 XZ - SK 672.1 XZ
SK 373.1 XZ - SK 673.1 XZ



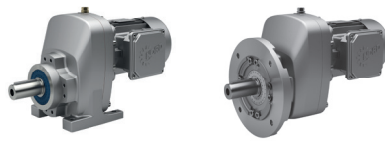
SK 772.1 XZ - SK 972.1 XZ
SK 773.1 XZ - SK 973.1 XZ



NORDBLOC.1
 Helical gear unit

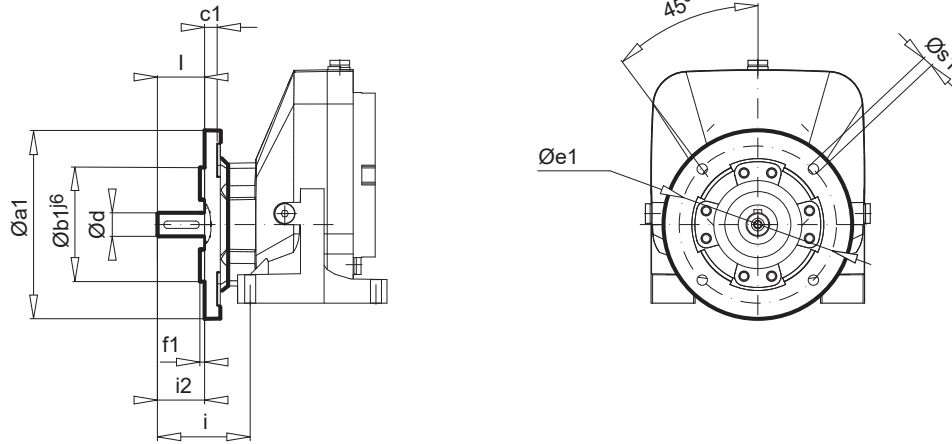
Type	Ø a2	Ø b2	Ø e2	f2	s2	i	i3	Ø d	l	x	x1	y1	Ø sh11
SK 072.1 XZ	85	56	68	12,5	M6 x 12	48	41	20	40	2	8,8	32,84	5 x 16
SK 172.1 XZ	110	75	92	15	M8 x 18	68	58	20	40	2	12	44	8 x 14,5
SK 372.1 XZ SK 373.1 XZ	130	95	110	20	M8 x 16	75	60	25	50	3	10,49	53,99	6 x 20
SK 572.1 XZ SK 573.1 XZ	160	120	145	14	M10 x 25	100	82,5	35	70	4	17	70	8 x 20
SK 572.1 XZ SK 573.1 XZ	160	120	145	14	M10 x 25	100	82,5	30	60	4	17	70	8 x 20
SK 672.1 XZ SK 673.1 XZ	180	135	160	14	M10 x 20	100	80	35	70	4	20	77,5	10 x 20
SK 772.1 XZ SK 773.1 XZ	152	105	130	16	M12 x 15	115	95	40	80	4	20	61,85	12 x 20
SK 872.1 XZ SK 873.1 XZ	194	135	165	20	M12 x 20	140	115	50	100	5	25	79	12 x 30
SK 972.1 XZ SK 973.1 XZ	236	168	200	25	M16 x 25	160	132,5	60	120	6	28	96	16 x 35

XF

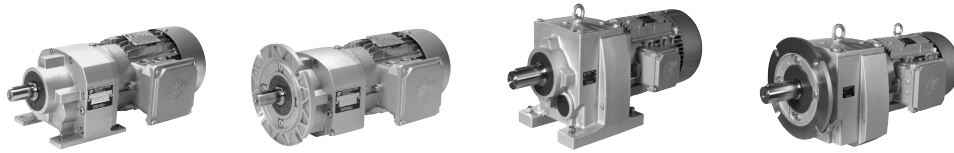


SK 071.1 XF SK 171.1 XF - SK 771.1 XF

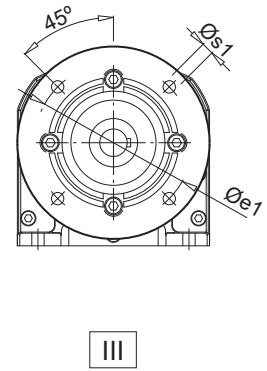
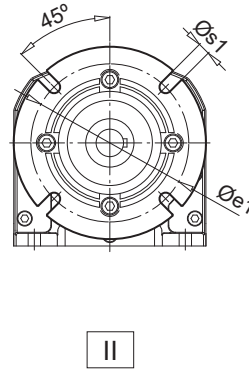
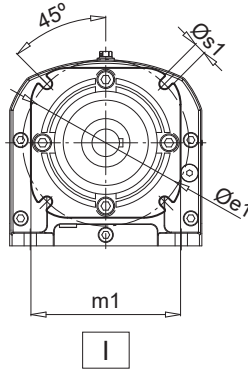
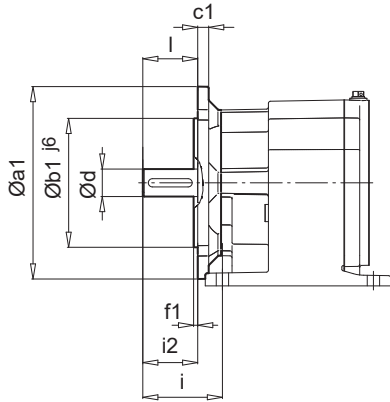
NORDBLOC.1
Helical gear unit



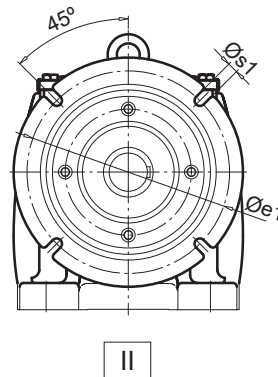
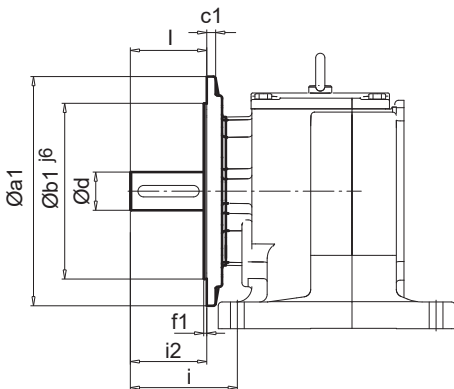
Type	$\varnothing a1$	$\varnothing b1$	$c1$	$\varnothing d$	l	$\varnothing e1$	$f1$	$\varnothing s1$	i	$i2$
SK 071.1 XF	120	80	8	15	30	100	3	6,6	59	30
	140	95						9,0		
SK 171.1 XF	120	80	8	20	40	100	3	6,6	68	39
	140	95						9,0	58	40
SK 371.1 XF	120	80	8	25	50	100	3	6,6	78	49
	140	95						9,0		
SK 571.1 XF	160	110	10	30	60	130	3,5	9,0	97	59
				35	70				107	69
SK 771.1 XF	160	110	10	40	80	130	3,5	9,0	120	79
	200	130						11		



SK 072.1 XF / SK 172.1 XF
SK 372.1 XF - SK 672.1 XF
SK 373.1 XF - SK 673.1 XF

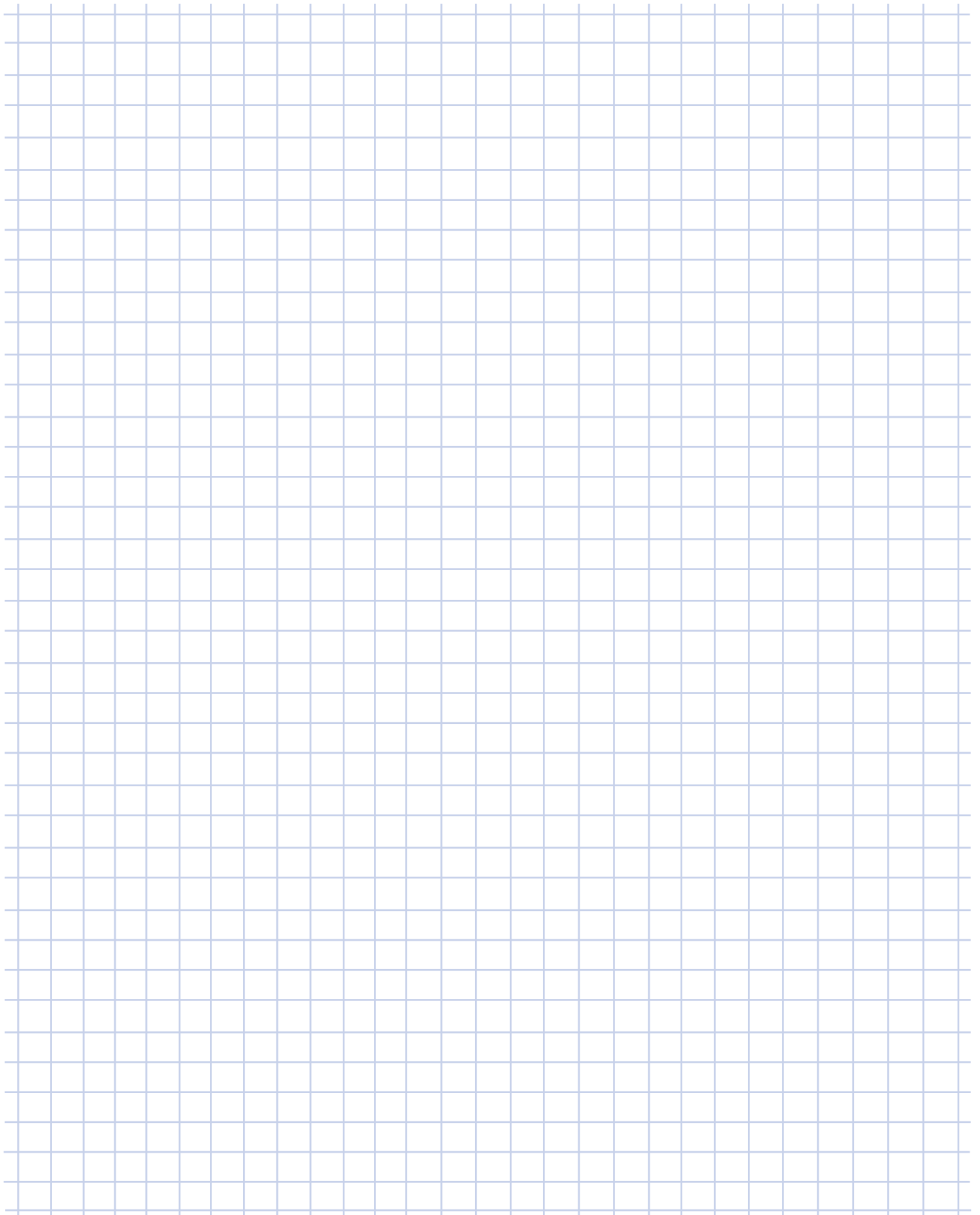


SK 772.1 XF - SK 972.1 XF
SK 773.1 XF - SK 973.1 XF



Type		Ø a1	Ø b1	c1	Ø d	l	Ø e1	f1	m1	Ø s1	i	i2
SK 072.1 XF	I	120	80	7	20	40	100	3	90	6,6	48	40
SK 172.1 XF	II	120 140	80 95	8 8	20	40	100 115	3 3	-	6,6 9,0	58 58	40 40
SK 372.1 XF	II	140	95	9	25	50	110	3	-	8,6	75	50
SK 373.1 XF		160	110	10								
SK 572.1 XF	II	200	130	12	30	60	165	3,5	-	11	100	70
SK 573.1 XF					35	70						
SK 672.1 XF	III	200	130	12	35	70	165	4	-	11	88	70
SK 673.1 XF												
SK 772.1 XF	II	200	180	15	40	80	215	4	-	13,5	115	80
SK 773.1 XF		250										
SK 872.1 XF	II	250	230	20	50	100	265	4	-	13,5	140	100
SK 873.1 XF		300										
SK 972.1 XF	II	300	250	20	60	120	300	5	-	17,5	160	120
SK 973.1 XF		350										

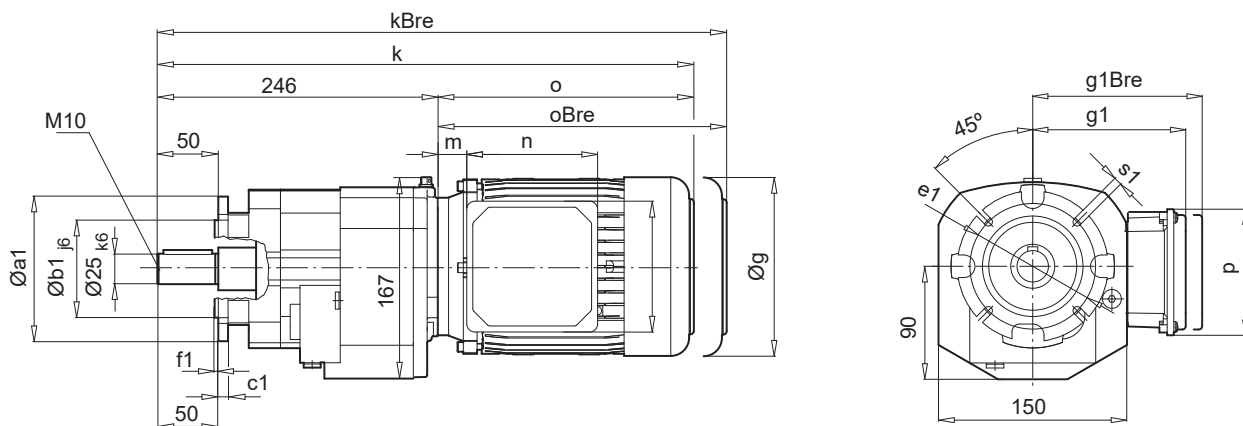
Notes





SK 372.1F

SK 373.1F



a1	b1	c1	e1	f1	s1
120	80	8	100	3	6,6

NORDBLOC.1
Helical gear unit

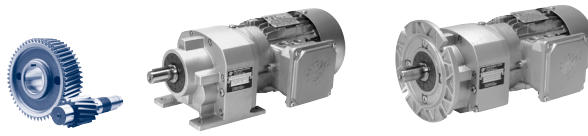
SK 372.1F

$\pm \Rightarrow$ A60	63 S / L	71 S / L	80 SH	80 LP	90 SP/LP	100 LP/AP	
g	130	145	165	165	183	201	
g1 / g1Bre	115 / 123	124 / 133	142 / 142	142 / 142	147 / 147	169 / 172	W \Rightarrow B107
k / kBre	442 / 498	482 / 540	507 / 571	507 / 571	548 / 623	578 / 669	
o / oBre	196 / 252	236 / 294	261 / 325	261 / 325	302 / 377	332 / 423	
m / mBre	16 / 23	42 / 49	47 / 51	47 / 51	52 / 56	58 / 62	IEC, NEMA \Rightarrow B115
n / nBre	100 / 134	100 / 134	114 / 153	114 / 153	114 / 153	114 / 153	
p / pBre	100 / 89	100 / 89	144 / 108	144 / 108	144 / 108	144 / 108	

SK 373.1F

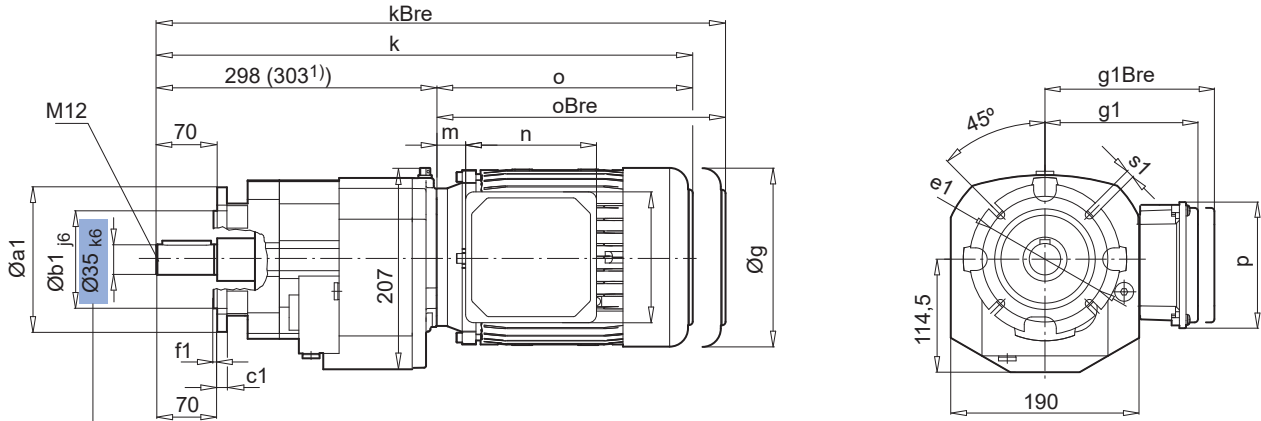
$\pm \Rightarrow$ A60	63 S / L	71 S / L	80 SH	80 LP	90 SP/LP	
g	130	145	165	165	183	
g1 / g1Bre	115 / 123	124 / 133	142 / 142	142 / 142	147 / 147	W \Rightarrow B107
k / kBre	442 / 498	482 / 540	507 / 571	507 / 571	548 / 623	
o / oBre	196 / 252	236 / 294	261 / 325	261 / 325	302 / 377	
m / mBre	16 / 23	42 / 49	47 / 51	47 / 51	52 / 56	
n / nBre	100 / 134	100 / 134	114 / 153	114 / 153	114 / 153	IEC, NEMA \Rightarrow B115
p / pBre	100 / 89	100 / 89	144 / 108	144 / 108	144 / 108	

SK 572.1F SK 573.1F



SK 572.1F SK 573.1F

NORDBLOC.1
Helical gear unit



a1	b1	c1	e1	f1	s1
140	95	10	115	3,5	9
160	110	10	130	3,5	9

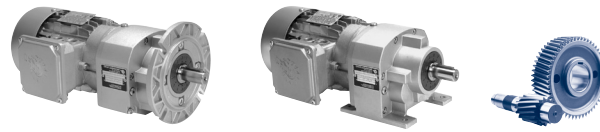
→ Ø30: SK 572.1F ⇒ B96-97
SK 573.1F

SK 572.1F

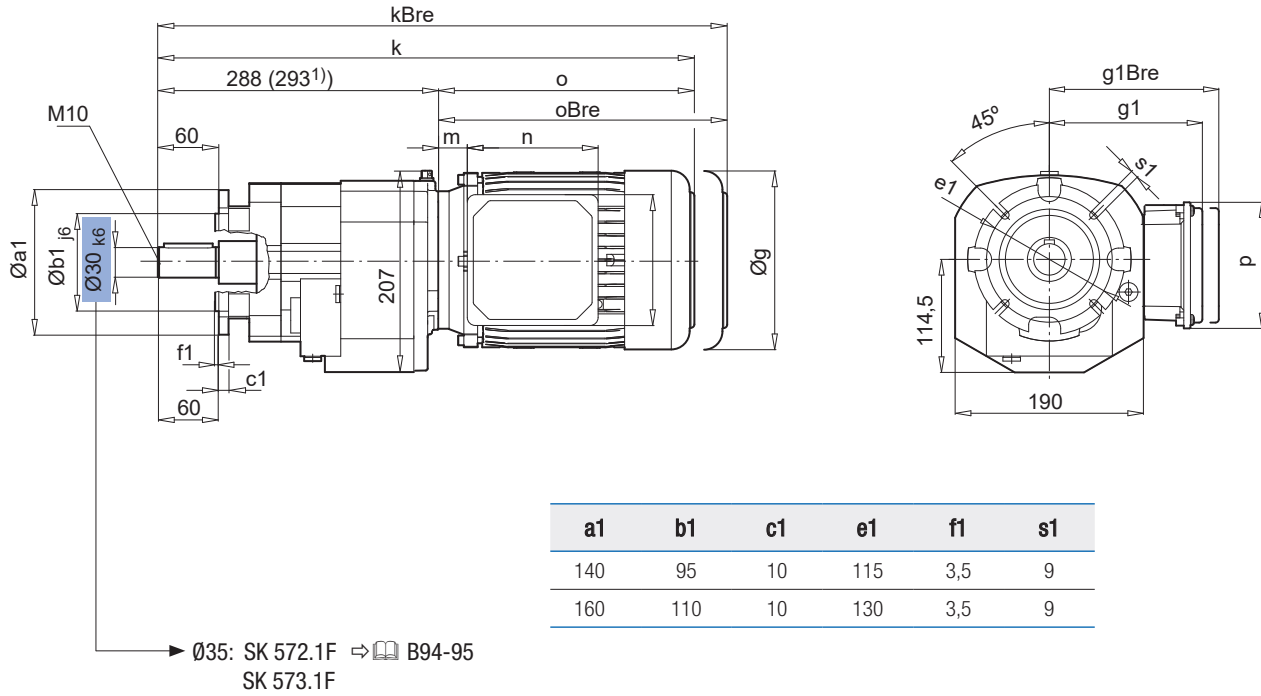
± ⇒ A60	71 S / L	80 SH	80 LP	90 SP/LP	100 LP/AP	112 MP	132 SP/MP ¹)	
g	145	165	165	183	201	228	264	
g1 / g1Bre	124 / 133	142 / 142	142 / 142	147 / 147	169 / 172	179 / 182	204 / 201	
k / kBre	534 / 592	559 / 623	559 / 623	600 / 675	630 / 721	677 / 771	738 / 846	W ⇒ B107
o / oBre	236 / 294	261 / 325	261 / 325	302 / 377	332 / 423	380 / 474	435 / 542	
m / mBre	42 / 49	47 / 51	47 / 51	52 / 56	58 / 62	64 / 67	71 / 62	IEC, NEMA ⇒ B116
n / nBre	100 / 134	114 / 153	114 / 153	114 / 153	114 / 153	114 / 153	122 / 185	
p / pBre	100 / 89	144 / 108	144 / 108	144 / 108	144 / 108	144 / 108	144 / 108	

SK 573.1F

± ⇒ A60	63 S / L	71 S / L	80 SH	80 LP	90 SP/LP	100 LP/AP	112 MP	
g	130	145	165	165	183	201	228	
g1 / g1Bre	115 / 123	124 / 133	142 / 142	142 / 142	147 / 147	169 / 172	179 / 182	
k / kBre	494 / 550	534 / 592	559 / 623	559 / 623	600 / 675	630 / 720	677 / 771	W ⇒ B107
o / oBre	196 / 252	236 / 294	261 / 325	261 / 325	302 / 377	332 / 423	380 / 474	
m / mBre	16 / 23	42 / 49	47 / 51	47 / 51	52 / 56	58 / 62	64 / 67	IEC, NEMA ⇒ B116
n / nBre	100 / 134	100 / 134	114 / 153	114 / 153	114 / 153	114 / 153	114 / 153	
p / pBre	100 / 89	100 / 89	144 / 108	144 / 108	144 / 108	144 / 108	144 / 108	



SK 572.1F * SK 573.1F *



NORDBLOC.1
Helical gear unit

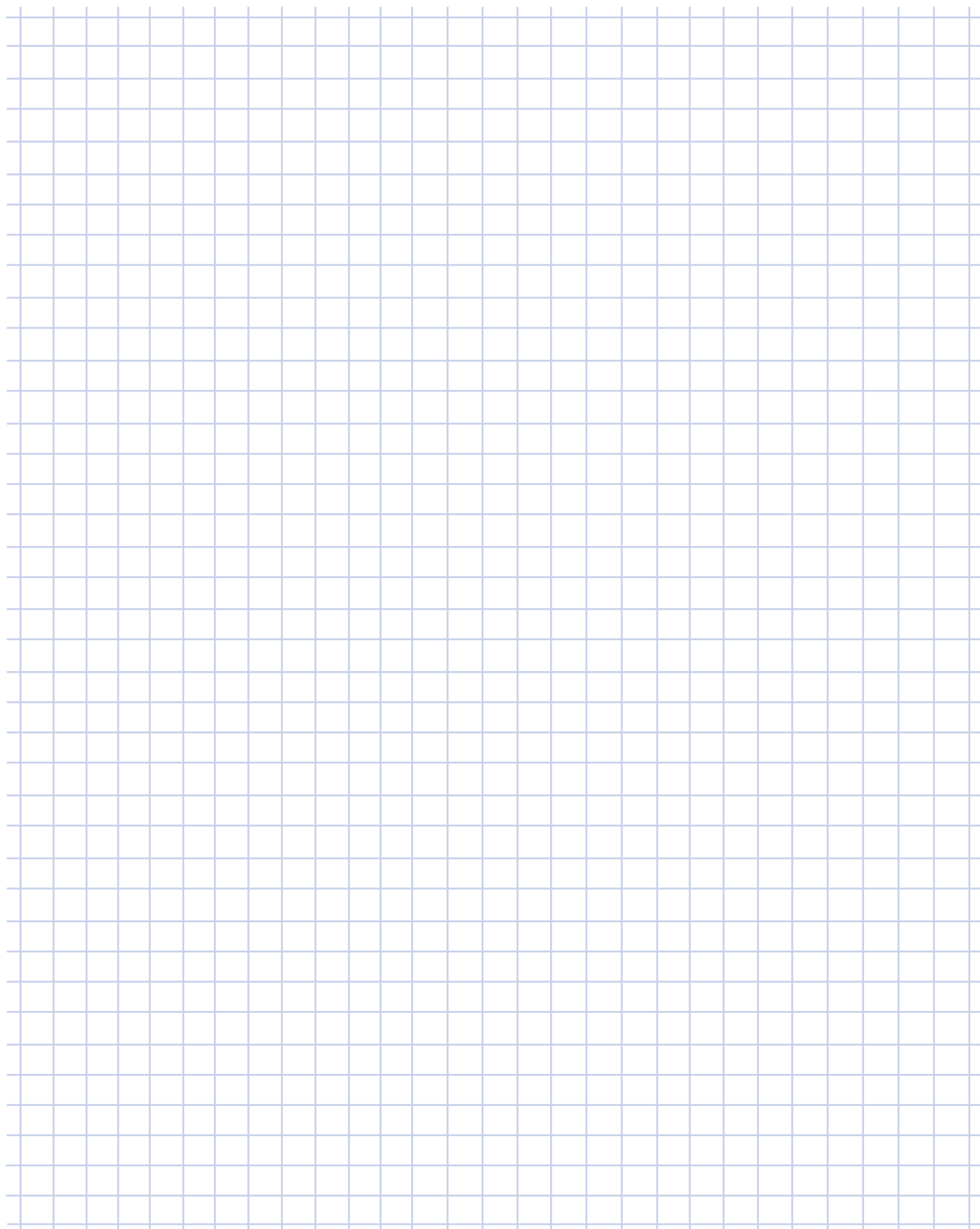
SK 572.1F *

± ⇨ A60	71 S / L	80 SH	80 LP	90 SP/LP	100 LP/AP	112 MP	132 SP/MP	
g	145	165	165	183	201	228	264	
g1 / g1Bre	124 / 133	142 / 142	142 / 142	147 / 147	169 / 172	179 / 182	204 / 201	
k / kBre	523 / 581	548 / 612	548 / 612	589 / 664	619 / 710	667 / 761	728 / 836	W ⇨ B107
o / oBre	236 / 294	261 / 325	261 / 325	302 / 377	332 / 423	380 / 474	435 / 542	
m / mBre	42 / 49	47 / 51	47 / 51	52 / 56	58 / 62	64 / 67	65 / 58	IEC 63 - 112 ⇨ A116
n / nBre	100 / 134	114 / 153	114 / 153	114 / 153	114 / 153	114 / 153	122 / 185	
p / pBre	100 / 89	144 / 108	144 / 108	144 / 108	144 / 108	144 / 108	144 / 108	

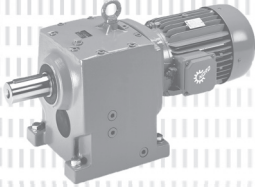
SK 573.1F *

± ⇨ A60	63 S / L	71 S / L	80 SH	80 LP	90 SP/LP	100 LP/AP	112 MP	
g	130	145	165	165	183	201	228	
g1 / g1Bre	115 / 123	124 / 133	142 / 142	142 / 142	147 / 147	169 / 172	179 / 182	
k / kBre	483 / 539	523 / 581	548 / 612	548 / 612	589 / 664	619 / 710	667 / 761	W ⇨ B107
o / oBre	196 / 252	236 / 294	261 / 325	261 / 325	302 / 377	332 / 423	380 / 474	
m / mBre	16 / 23	42 / 49	47 / 51	47 / 51	52 / 56	58 / 62	64 / 67	IEC 63 - 112 ⇨ A116
n / nBre	100 / 134	100 / 134	114 / 153	114 / 153	114 / 153	114 / 153	114 / 153	
p / pBre	100 / 89	100 / 89	144 / 108	144 / 108	144 / 108	144 / 108	144 / 108	

Notes

A large grid area for taking notes, consisting of a 20x30 grid of small squares.

UNICASE™ Helical gear units



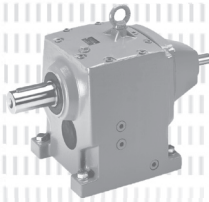
ENQUIRY FORM C - 2

VERSIONS AVAILABLE C - 3

GEAR UNIT MOTOR DATA

Power and speed tables C - 4

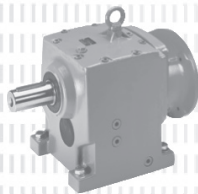
Power and speed tables
W, IEC, AI- adapters C - 54



DIMENSIONED DRAWINGS*

Helical geared motors C - 76

W, IEC, NEMA-adapters C - 100



OPTIONS*

XZ Foot and flange-mounted versions, B14 flange C - 118

XF Foot and flange-mounted versions, B5 flange C - 118

* All specifications in mm unless otherwise indicated.

Enquiry form



This general enquiry form can be found in the attachment as well as on the NORD homepage under www.nord.com - Heading DOCUMENTATION / FORMS.



General Enquiry Form



Company: _____
 Customer number: _____
 Town / Zip Code/
 Country: _____
 Contact: _____
 E-Mail: _____
 Phone: _____

Please send the request to your local NORD contact.

See homepage:
www.nord.com
 (NORD group → Sales)



Reference: _____
 Date: _____

	Helical- inline* G1000/G2000		Helical- Parallel shaft* G1000		Helical-bevel* G1000		Worm* G1000/G1035
Geared motor		Adapter for IEC-/Nema-motor/Servo*		Stand alone motor (M7000)			
W – type (free input shaft): External forces: Axial F _{A1} : _____ [N] Radial F _{R1} : _____ [N]; Lever from shaft shoulder: _____ [mm]							
Gear type acc. to catalogue: _____				Quantity: _____			

Gearbox-specific parameter	Frequency inverter operation
Output speed n ₂ at line frequency: _____ [rpm]	Cabinet mounted Motor mounted
Output torque M ₂ : _____ [Nm]	Frequency range from: _____ [Hz] to _____ [Hz]
Ratio i: _____	Motor speed n ₁ : _____ [rpm] to _____ [rpm]
Mounting position (M1 – M6): _____	Constant torque within frequency range: _____ [Nm]
Flange: B14 B5 Ø _____ [mm]	Characteristic: 50 Hz 70 Hz 87 Hz 100 Hz
Hollow shaft Solid shaft Ø _____ x _____ [mm]	Encoder*: Incremental Absolute
Operating factor f _B : _____	Regenerative operation: Generated power _____ [kW]
Minimum bearing life L10h: _____ [h]	Ambient conditions
External forces at output: Axial F _{A2} : _____ [N]	Ambient temperature: min. _____ to max. _____ [°C]
Radial F _{R2} : _____ [N] Lever from shaft shoulder: _____ [mm]	Max. rel. humidity RH: _____ [%]
Bearing: normal VL VL2 VL3 AL	Max. installation height (if > 1.000 m): _____ [m]
Helical-bevel and Worm: A/B side for flange/shaft*	Indoor Outdoor Water contact* Direct sun light
Oil: Mineral Synthetic Food grade Bio-degradable	Other (dust/dirt/aggressive media; mechanical/chemical)*
Special oil: _____	ATEX
Motor-specific parameter	ATEX gas
Rated motor power P ₁ : _____ [kW]	Zone 1 Ex II 2G Zone 21 Ex II 2D
Motor speed n ₁ : _____ [rpm]	Zone 2 Ex II 3G Zone 22 Ex II 3D
PTC thermistors (TF) Bimetallic switches (TW)	Ex eb II T3 Non-conductive dust
Line voltage: _____ [V] Line frequency: _____ [Hz]	Ex de IIC T4 Conductive dust (only Zone 21)
Efficiency class: IE1 IE2 IE3 IE4	Paint / Surface treatment
Protection class: IP55 (Standard) IP _____	None 1.0 2.0 (Standard) 3.0 3. _____
Operating mode: S1 (Standard) S _____*	
Cycle rate: _____ [c/h]	Colour (RAL): Blue (5010) Grey (7031)
Cycle duty: _____ [%] Backstop (RLS)	Special colour (RAL-No. / Colour): _____
Ventilation: Standard External (F) None (OL)	Comments
Terminal box position: _____ Cable entries: _____	
Brake-specific parameter	
Brake torque M _B : _____ [Nm] Manual release (HL)	
Brake-/Coil voltage: _____ [V]	
Parking/emergency brake Working brake	
ATEX documentation, O&M manuals (language code according to ISO 639-1):	
DE BG ZH CS DA ES FI FR EN EL HU IT NL NO PL PT RU SV SK LV RO	

*Please add details in comments - Getriebbau NORD GmbH & Co. KG | Getriebbau-Nord-Str. 1 | D-22941 Bargteheide - EN-0919

Examples - available versions

Housing with foot mounting

SK 02 - 63 LP/4
2-stage



SK 13 - 71 SP/4
3-stage



SK 62 - 160 LP/4
SK 63 - 160 LP/4
2- and 3-stage



SK 12/02 - 80 SP/4
4-stage



SK 63/22 - 71 SP/4
5- and 6-stage



Housing with B5 - flange mounting

SK 02 F - 63 LP/4
2-stage



SK 13 F - 71 SP/4
3-stage



SK 62 F - 160 LP/4
SK 63 F - 160 LP/4
2- and 3-stage



SK 12/02 F - 80 SP/4
4-stage



SK 63/22 F - 71 SP/4
5- and 6-stage

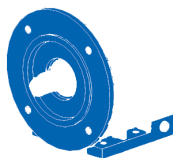


UNICASE™
Helical gear units

Housing options for foot and flange-mounting



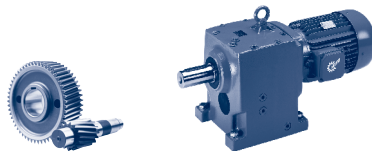
SK 12 XZ - 80 LP/4
Foot-mounting with B14 flange
2-stage



SK 12 XF - 80 LP/4
Foot-mounting with B5 flange
2-stage

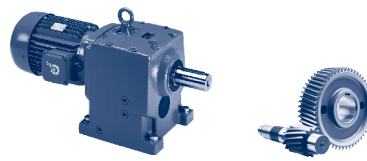
All helical gear units are also available: - with free drive shaft (Type suffix W)
- for mounting IEC standard motors (Type suffix IEC)

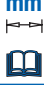
0,12 kW



UNICASE™
Helical gear units

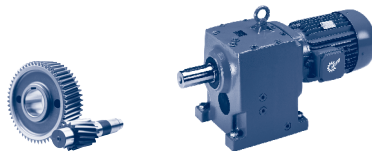
P_1 [kW]	n_2 [r/min]	M_2 [Nm]	f_B	i_{total}	F_R [kN]	F_A	$F_{R VL}$ [kN]	$F_{A VL}$	Type	kg	mm
0,12	67	17,2	4,3	20,59	2,4	3,3	3,3	6,2	SK 02 - 63 SP/4	11,8	C76
	59	19,4	4,0	23,13	2,4	3,3	3,3	6,3			
	50	23,0	3,8	27,52	2,4	3,3	3,3	6,3			
	41	27,9	3,4	33,42	2,4	3,3	3,3	6,3			
	33	34,8	2,8	41,58	2,4	3,3	3,3	6,3			
	26	44,9	2,0	53,68	2,4	3,3	3,3	6,3			
	22	51,2	1,7	61,27	2,3	3,3	3,3	6,3			
	19	61,1	1,5	73,06	2,3	3,3	3,3	6,3			
	21	54,8	2,0	65,50	2,3	3,3	3,3	6,3	SK 03 - 63 SP/4	15,8	C77
	17	68,2	1,6	81,50	2,3	3,3	3,2	6,3			
	13	87,7	1,1	104,77	2,1	3,3	3,2	6,3			
	11	104	1,0	124,62	2	3,3	3,1	6,3			
	9,1	127	0,9	151,33	1,2	3,3	2,9	6,3			
	8	* 135	0,8	170,75	0	3,3	2,9	6,3			
	6,5	* 133	0,8	212,47	0	3,3	2,9	6,3			
	5,0	* 111	0,8	274,28	2	3,3	3,0	6,3			
	4,4	* 111	0,8	313,11	2	3,3	3,0	6,3			
		32	36,0	4,5	43,09	3,7	3,9	5,1			
32		36,0	4,5	43,09	3,7	3,9	5,1	8,8			
25		45,0	3,9	53,84	3,7	3,9	5,1	9,4			
22		51,3	3,0	61,35	3,7	3,9	5,1	9,7			
19		60,7	2,3	72,63	3,6	3,9	5,0	10,1			
	15	51,5	3,2	92,89	3,7	3,9	5,1	11	SK 12/02 - 63 SP/4	21,8	C98
	12	61,2	2,7	109,66	3,6	3,9	5,0	11,5			
	10	74,2	2,2	133,23	3,6	3,9	5,0	12,1			
	8,3	92,4	1,9	165,77	3,6	3,9	5,0	12,8			
	6,4	119	1,5	213,39	3,5	3,9	4,9	13,6			
	5,2	147	1,2	263,96	3,4	3,9	4,8	14,3			
	4,0	190	0,9	339,81	3,1	3,9	4,7	14,5			
	3,2	* 225	0,8	431,75	2,9	3,9	4,5	14,5			
	2,6	* 225	0,8	537,49	2,9	3,9	4,5	14,5			
	2,2	* 225	0,8	619,86	2,9	3,9	4,5	14,5			
	1,5	* 225	0,8	886,11	2,9	3,9	4,5	14,5			
	1,3	* 225	0,8	1054,29	2,9	3,9	4,5	14,5			
	1,1	* 225	0,8	1280,32	2,9	3,9	4,5	14,5			
	0,9	* 225	0,8	1592,93	2,9	3,9	4,5	14,5			
	0,7	* 225	0,8	2056,68	2,9	3,9	4,5	14,5			
	0,5	* 225	0,8	2798,93	2,9	3,9	4,5	14,5			
	0,4	* 225	0,8	3122,27	2,9	3,9	4,5	14,5	SK 12/03 - 63 SP/4	25,8	C98
	0,4	* 225	0,8	3554,62	2,9	3,9	4,5	14,5			
	0,3	* 225	0,8	4013,74	2,9	3,9	4,5	14,5			
	0,2	* 225	0,8	5797,45	2,9	3,9	4,5	14,5			
	0,2	* 225	0,8	6542,58	2,9	3,9	4,5	14,5			
	0,2	* 225	0,8	8141,64	2,9	3,9	4,5	14,5			
	0,1	* 225	0,8	10510,73	2,9	3,9	4,5	14,5			
	20	57,3	3,4	68,40	3,6	3,9	5,0	9,9	SK 13 - 63 SP/4	18,8	C79
	16	71,6	2,5	85,47	3,6	3,9	5,0	10,6			
	13	90,9	1,9	108,72	3,6	3,9	5,0	11,2			
	10	111	1,3	132,45	3,5	3,9	5,0	11,6			
	10	111	1,3	132,45	3,5	3,9	5,0	11,6			
	8,6	133	1,3	159,36	3,4	3,9	4,9	12,2			
	7,0	164	1,2	195,78	3,3	3,9	4,8	12,8			



P_1 [kW]	n_2 [r/min]	M_2 [Nm]	f_B	i_{total}	F_R [kN]	F_A	$F_{R VL}$ [kN]	$F_{A VL}$	Type	kg	mm 
0,12	5,6	205	0,9	244,62	3,0	3,9	4,6	13,5	SK 13 - 63 SP/4	18,8	C79
	5,0	* 220	0,8	275,12	2,9	3,9	4,5	13,9			
	4,4	* 209	0,8	313,48	3,0	3,9	4,6	14,5			
	3,7	* 220	0,8	369,34	2,9	3,9	4,5	14,5			
	3,3	* 209	0,8	420,83	3,0	3,9	4,6	14,5			
10	75,3	4,5	134,94	5,4	5,6	7,5	15,5	SK 22/02 - 63 SP/4	34,3	C98	
	8,2	93,2	3,6	167,21	5,4	5,6	7,4				16,5
	5,7	133	2,6	239,01	5,3	5,6	7,4				18,1
	4,8	158	2,1	284,11	5,2	5,6	7,3				18,9
	4,0	192	1,8	345,17	5,2	5,6	7,3				19,9
	3,1	248	1,4	444,73	5,0	5,6	7,1				20
	2,5	308	1,1	553,31	4,7	5,6	6,9				20
	2,0	381	0,9	682,98	4,2	5,6	6,6				20
	1,6	* 425	0,8	881,66	2,6	5,6	6,4				20
	1,2	* 425	0,8	1159,34	2,6	5,6	6,4				20
	1,0	* 425	0,8	1442,41	2,6	5,6	6,4				20
	0,8	* 425	0,8	1780,46	2,6	5,6	6,4				20
	0,6	* 425	0,8	2125,46	2,6	5,6	6,4				20
0,5	* 425	0,8	2534,45	2,6	5,6	6,4	20				
0,4	* 356	0,8	3489,83	4,4	5,6	6,8	20	SK 22/03 - 63 SP/4	34,8	C98	
	0,3	* 356	0,8	4323,41	4,4	5,6	6,8				20
	0,3	* 356	0,8	5248,94	4,4	5,6	6,8				20
	0,2	* 356	0,8	6479,09	4,4	5,6	6,8				20
	0,2	* 356	0,8	9100,11	4,4	5,6	6,8				20
	0,1	* 356	0,8	11748,10	4,4	5,6	6,8				20
16	73,8	4,6	88,45	5,4	5,6	7,5	13,6	SK 23 - 63 SP/4	30,8	C81	
	14	84,1	4,0	100,60	5,4	5,6	7,4				14,1
	11	104	3,3	124,17	5,4	5,6	7,4				14,9
	9,1	126	2,3	151,44	5,3	5,6	7,4				15,6
	7,6	150	2,1	179,50	5,3	5,6	7,4				16,3
	6,3	182	1,9	217,73	5,2	5,6	7,3				17,2
	5,2	219	1,6	262,24	5,1	5,6	7,2				18
	4,2	270	1,3	323,70	4,9	5,6	7,1				18,9
	3,3	349	1,0	417,95	4,4	5,6	6,8				19,9
	2,7	* 343	0,8	516,65	4,5	5,6	6,8				20
5,1	149	4,2	267,79	6,8	9	9,4	23,1	SK 32/12 - 63 SP/4	47,3	C98	
	3,8	202	3,1	363,06	6,8	9	9,4				25
	3,1	249	2,5	446,31	6,7	9	9,4				25
	2,5	309	2,0	554,68	6,7	9	9,3				25
	2,0	390	1,6	699,55	6,5	9	9,2				25
	1,6	485	1,3	869,04	6,3	9	9,1				25
	1,3	603	1,0	1080,05	5,5	9	8,9				25
	1,1	727	0,9	1305,66	0	9	8,6				25
	0,9	* 775	0,8	1604,24	0	9	7,9				25
	0,7	* 775	0,8	2004,46	0	9	7,9				25
	0,5	* 775	0,8	2704,02	0	9	7,9				25
	0,4	* 775	0,8	3163,50	0	9	8,4				25
0,3		* 775	0,8	4048,39	0	9	7,9	25			
0,3		* 775	0,8	5029,23	0	9	8,4	25			
0,2		* 775	0,8	6250,38	0	9	8,4	25			
0,2		* 775	0,8	7614,95	0	9	8,4	25			
0,1		* 775	0,8	11253,43	0	9	8,4	25			
0,1		* 775	0,8	13750,53	0	9	7,9	25			
0,1		* 775	0,8	15817,35	0	9	8,4	25			

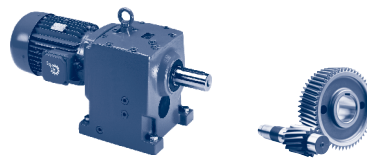
UNICASE™
Helical gear units

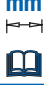
0,12 kW



UNICASE™
Helical gear units

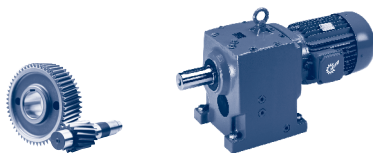
P_1 [kW]	n_2 [r/min]	M_2 [Nm]	f_B	i_{total}	F_R [kN]	F_A	$F_{R VL}$ [kN]	$F_{A VL}$	Type	kg	mm			
0,12	8,2	139	4,8	166,49	6,8	9	9,4	19,9	SK 33N - 63 SP/4	42,8	C83			
	6,6	173	3,9	207,10	6,8	9	9,4	21,1						
	5,5	208	3,2	248,17	6,8	9	9,4	22,2						
	4,0	284	2,3	339,15	6,7	9	9,3	23,9						
	3,3	352	1,9	421,32	6,6	9	9,3	25						
	2,6	438	1,5	524,08	6,4	9	9,1	25						
	2,3	490	1,3	585,41	6,3	9	9,1	25						
	2,1	554	1,0	662,81	6,2	9	9	25						
	1,9	619	0,9	740,37	4,6	9	8,8	25						
	3,2	242	5,0	433,49	11,5	12	10,7	25,2				SK 42/12 - 63 SP/4	58,8	C98
	2,5	307	3,9	550,73	11,3	12	10,4	26,8						
	1,8	418	2,9	750,33	11,1	12	9,9	29						
	1,2	622	1,9	1114,65	6,4	12	8,8	30						
	1	777	1,5	1393,38	0	12	7,7	30						
0,9	870	1,4	1561,55	0	12	4,4	30							
0,6	1205	1,0	2163,20	0	12	0	30							
0,5	1427	0,8	2560,21	0	12	0	30							
0,4	1500	0,8	3428,58	0	12	0	30	SK 42/13 - 63 SP/4	63,8	C98				
0,3	1500	0,8	4209,06	0	12	0	30							
0,3	1500	0,8	5259,33	0	12	0	30							
0,2	1500	0,8	6902,85	0	12	0	30							
0,2	1500	0,8	8625,30	0	12	0	30							
0,1	1500	0,8	11053,30	0	12	0	30							
0,1	1500	0,8	13019,24	0	12	0	30							
2	385	4,8	689,41	14,2	23,8	19,7	40				SK 52/12 - 63 SP/4	87,8	C98	
1,5	513	3,6	918,83	14,1	23,8	19,6	40							
1	796	2,3	1425,44	13,8	23,8	19,5	40							
0,8	957	1,9	1714,92	13,6	23,8	19,3	40							
0,6	1176	1,6	2107,10	13,3	23,8	19,1	40							
0,5	1470	1,2	2632,78	12,8	23,8	18,7	40							
0,4	1869	1,0	3344,76	11,7	23,8	18	40	SK 52/13 - 63 SP/4	92,8	C98				
0,3	* 2288	0,8	4179,48	10,2	23,8	17,1	40							
0,2	* 2288	0,8	5846,92	10,2	23,8	17,1	40							
0,2	* 2288	0,8	7183,17	10,2	23,8	17,1	40							
0,2	* 2288	0,8	8975,11	10,2	23,8	17,1	40							
0,1	* 2288	0,8	11961,92	10,2	23,8	17,1	40							
0,1	* 2288	0,8	13163,00	10,2	23,8	17,1	40							
0,1	* 2288	0,8	13453,37	10,2	23,8	17,1	40							
1	787	4,1	1408,77	15,8	45	23,5	45				SK 63/23 - 63 SP/4	159,8	C99	
0,8	936	3,4	1676,63	15,3	45	23	45							
0,6	1206	2,7	2161,10	14,2	45	22,1	45							
0,5	1571	2,0	2814,26	12,7	45	20,8	45							
0,4	1891	1,7	3389,71	11,1	45	19,5	45							
0,3	2437	1,3	4369,06	8,1	45	17,1	45							
0,3	3008	1,1	5393,14	4,3	45	14,3	45							
0,2	3726	0,9	6683,37	0	45	10,2	45							
0,2	* 4000	0,8	8150,78	0	45	8,5	45							
0,1	* 4000	0,8	11045,44	0	45	8,5	45							
0,1	* 4000	0,8	13304,45	0	45	8,5	45							
0,3	2470	2,0	4440,18	18,9	50	30,8	50	SK 73/23 - 63 SP/4	240,8	C98				
0,2	3058	1,6	5498,45	15,7	50	28,3	50							
0,2	3681	1,4	6623,00	11,9	50	25,5	50							
0,2	4553	1,1	8186,29	5,7	50	21,1	50							
0,1	* 6250	0,8	11337,56	0	50	10,8	50							
0,1	* 6250	0,8	13436,92	0	50	10,8	50							



P_1 [kW]	n_2 [r/min]	M_2 [Nm]	f_B	i_{total}	F_R [kN]	F_A	$F_{R VL}$ [kN]	$F_{A VL}$ [kN]	Type	kg	mm 
0,12	0,3	2536	3,2	4542,15	35,2	65	53,0	65	SK 83/33N - 63 SP/4	359,8	C99
	0,3	3029	2,6	5427,09	33,5	65	51,6	65			
	0,2	3865	2,1	6942,82	30,5	65	48,9	65			
	0,2	4780	1,7	8575,90	26,9	65	45,9	65			
	0,1	6055	1,3	10860,37	21,2	65	41,3	65			
	0,1	7131	1,1	12783,24	15,9	65	37,0	65			
0,18	123	14,0	4,8	11,27	2,4	3,3	3,3	5	SK 02 - 63 LP/4	12,7	C76
	108	15,9	4,4	12,82	2,4	3,3	3,3	5,2			
	87	19,8	3,6	15,95	2,4	3,3	3,3	5,6			
	67	25,6	2,9	20,59	2,4	3,3	3,3	6,1			
	60	28,7	2,7	23,13	2,4	3,3	3,3	6,2			
	50	34,2	2,5	27,52	2,4	3,3	3,3	6,3			
	42	41,4	2,3	33,42	2,4	3,3	3,3	6,3			
	33	51,6	1,9	41,58	2,3	3,3	3,3	6,3			
	26	66,6	1,3	53,68	2,3	3,3	3,2	6,3			
	23	76,0	1,2	61,27	2,2	3,3	3,2	6,3			
	19	90,6	1,0	73,06	2,1	3,3	3,1	6,3			
	21	81,2	1,4	65,50	2,2	3,3	3,2	6,3	SK 03 - 63 LP/4	16,7	C77
	17	101	1,0	81,50	2	3,3	3,1	6,3			
	48	36,2	3,4	29,15	3,6	3,9	5,1	7,7	SK 12 - 63 LP/4	14,7	C78
	40	43,5	3,4	35,07	3,7	3,9	5,1	8,1			
	32	53,5	3,0	43,09	3,7	3,9	5,1	8,6			
	32	53,5	3,0	43,09	3,7	3,9	5,1	8,6			
	26	66,8	2,6	53,84	3,6	3,9	5,0	9,1			
	23	76,1	2,0	61,35	3,6	3,9	5,0	9,4			
19	90,1	1,5	72,63	3,6	3,9	5,0	9,8				
15	89,1	1,8	92,89	3,6	3,9	5,0	10,6				
13	106	1,5	109,66	3,5	3,9	5,0	11	SK 12/02 - 63 LP/4	22,7	C98	
10	128	1,3	133,23	3,4	3,9	4,9	11,5				
8,4	160	1,1	165,77	3,3	3,9	4,8	12,1				
6,5	206	0,9	213,39	3	3,9	4,6	12,7				
20	85	2,3	68,40	3,6	3,9	5,0	9,6				SK 13 - 63 LP/4
16	106	1,7	85,47	3,5	3,9	5,0	10,2				
13	135	1,3	108,72	3,4	3,9	4,9	10,8				
10	164	0,9	132,45	3,3	3,9	4,8	11				
10	164	0,9	132,45	3,3	3,9	4,8	11				
8,7	198	0,8	159,36	3,1	3,9	4,7	11,5				
12	114	3,0	117,25	5,3	5,6	7,4	14,5	SK 22/02 - 63 LP/4	35,2	C98	
10	130	2,6	134,94	5,3	5,6	7,4	15,1				
8,3	161	2,1	167,21	5,2	5,6	7,3	15,9				
5,8	231	1,5	239,01	5	5,6	7,2	17,3				
4,9	274	1,2	284,11	4,8	5,6	7,1	18				
4	333	1,0	345,17	4,5	5,6	6,9	18,7				
21	80,4	4,2	64,80	5,4	5,6	7,4	12,3	SK 23 - 63 LP/4	31,7	C81	
18	96,8	3,5	78,05	5,4	5,6	7,4	12,9				
16	110	3,1	88,45	5,4	5,6	7,4	13,3				
14	125	2,7	100,60	5,3	5,6	7,4	13,7				
11	154	2,2	124,17	5,3	5,6	7,4	14,5				
9,2	188	1,6	151,44	5,2	5,6	7,3	15				
7,7	223	1,4	179,50	5,1	5,6	7,2	15,7				
6,4	270	1,3	217,73	4,9	5,6	7,1	16,4				
5,3	325	1,0	262,24	4,6	5,6	6,9	17,1				
4,3	401	0,8	323,70	3,6	5,6	6,5	17,8				

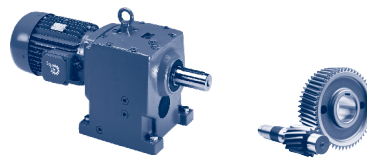
UNICASE™
Helical gear units

0,18 kW
0,25 kW



P_1 [kW]	n_2 [r/min]	M_2 [Nm]	f_B	i_{total}	F_R [kN]	F_A	$F_{R VL}$ [kN]	$F_{A VL}$ [kN]	Type	kg	mm C
0,18	9,4	143	4,3	148,18	6,8	9	9,4	19,1	SK 32/12 - 63 LP/4	48,2	C98
	8,3	161	3,8	167,16	6,8	9	9,4	19,7			
	6,4	208	3,0	215,56	6,8	9	9,4	21,1			
	5,2	258	2,4	267,79	6,7	9	9,3	22,3			
	3,8	350	1,8	363,06	6,6	9	9,3	24,1			
	3,1	431	1,4	446,31	6,5	9	9,2	25			
	2,5	536	1,2	554,68	6,2	9	9	25			
	2	675	0,9	699,55	0	9	8,7	25			
16	110	4,9	88,18	6,9	9	9,4	16,4	SK 33N - 63 LP/4	43,7	C83	
	12	139	3,9	112,18	6,8	9	9,4				17,5
	10	166	3,9	134,02	6,8	9	9,4				18,4
	8,3	206	3,3	166,49	6,8	9	9,4				19,5
	6,7	257	2,6	207,10	6,7	9	9,3				20,6
	5,6	308	2,2	248,17	6,7	9	9,3				21,5
	4,1	421	1,5	339,15	6,5	9	9,2				23
	3,3	523	1,3	421,32	6,3	9	9				24,2
	2,6	650	1,0	524,08	2	9	8,8				25
	2,4	727	0,9	585,41	0	9	8,6				25
	5	267	4,5	276,92	11,4	12	10,6				21,6
4		335	3,6	346,53	11,3	12	10,3	22,9			
3,2		418	2,9	433,49	11	12	9,9	24,2			
2,5		532	2,3	550,73	10,7	12	9,4	25,6			
1,8		724	1,7	750,33	0	12	8,1	27,3			
1,2		1076	1,1	1114,65	0	12	0	29,4			
1		1345	0,9	1393,38	0	12	0	30			
2,8	475	3,9	491,28	14,1	23,8	19,7	40	SK 52/12 - 63 LP/4	88,7	C98	
	2,6	524	3,5	542,09	14,1	23,8	19,6				40
	2	666	2,7	689,41	14	23,8	19,5				40
	1,5	888	2,1	918,83	13,7	23,8	19,4				40
	1	1378	1,3	1425,44	12,9	23,8	18,8				40
	0,8	1656	1,1	1714,92	12,3	23,8	18,4				40
	0,7	2035	0,9	2107,10	11,2	23,8	17,7				40
1,3	1029	3,1	1064,04	14,9	45	22,7	45	SK 63/23 - 63 LP/4	160,7	C98	
	1	1362	2,3	1408,77	13,6	45	21,6				45
	0,8	1620	2,0	1676,63	12,5	45	20,6				45
	0,6	2087	1,5	2161,10	10,1	45	18,7				45
	0,5	2719	1,2	2814,26	6,3	45	15,8				45
	0,4	3273	1,0	3389,71	2,1	45	12,9				45
0,3	4276	1,2	4440,18	7,8	50	22,5	50	SK 73/23 - 63 LP/4	241,7	C98	
	0,3	5293	0,9	5498,45	0	50	16,9				50
0,3	4391	1,8	4542,15	28,5	65	47,2	65	SK 83/33N - 63 LP/4	360,7	C99	
	0,3	5244	1,5	5427,09	24,9	65	44,2				65
	0,2	6690	1,2	6942,82	18,1	65	38,8				65
	0,2	8275	1,0	8575,90	9,4	65	32,2				65
0,25	182	13,2	4,8	7,80	2,2	3,3	3,1	4,4	SK 02 - 71 SP/4	14,1	C76
	173	13,8	4,6	8,19	2,2	3,3	3,1	4,5			
	153	15,6	4,2	9,28	2,3	3,3	3,2	4,6			
	142	16,8	3,8	9,95	2,3	3,3	3,3	4,8			
	126	19	3,5	11,27	2,4	3,3	3,3	4,9			
	110	21,6	3,2	12,82	2,4	3,3	3,3	5,1			

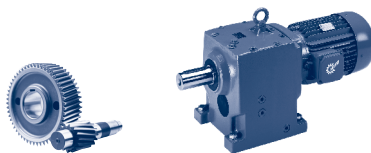
UNICASE™
Helical gear units



P_1 [kW]	n_2 [r/min]	M_2 [Nm]	f_B	i_{total}	F_R [kN]	F_A [kN]	$F_{R VL}$ [kN]	$F_{A VL}$ [kN]	Type	kg	mm
0,25	89	26,9	2,7	15,95	2,4	3,3	3,3	5,5	SK 02 - 71 SP/4	14,1	C76
	69	34,7	2,1	20,59	2,4	3,3	3,3	5,9			
	61	39	2,0	23,13	2,4	3,3	3,3	6			
	58	41,2	2,2	24,39	2,4	3,3	3,3	6,1			
	51	46,4	1,9	27,52	2,4	3,3	3,3	6,3			
	48	49,9	1,8	29,61	2,3	3,3	3,3	6,3			
	42	56,3	1,7	33,42	2,3	3,3	3,3	6,3			
	34	70,1	1,4	41,58	2,3	3,3	3,2	6,3			
	26	90,5	1,0	53,68	2,1	3,3	3,1	6,3			
	23	103	0,9	61,27	2	3,3	3,1	6,3			
22	110	1,0	65,50	2	3,3	3	6,3	SK 03 - 71 SP/4	18,1	C77	
	67	35,9	4,7	21,28	3,2	3,9	5,1	7	SK 12 - 71 SP/4	16,1	C78
	55	43,7	3,1	25,92	3,4	3,9	5,1	7,3			
	49	49,2	2,5	29,15	3,5	3,9	5,1	7,5			
	45	52,6	3,1	31,19	3,5	3,9	5,1	7,7			
	40	59,1	2,5	35,07	3,6	3,9	5	7,9			
	37	64,6	2,8	38,31	3,6	3,9	5	8,1			
	33	72,7	2,2	43,09	3,6	3,9	5	8,3			
	33	72,7	2,2	43,09	3,6	3,9	5	8,3			
	30	80,8	2,2	47,87	3,6	3,9	5	8,6			
	26	90,8	1,9	53,84	3,6	3,9	5	8,8			
	23	103	1,5	61,35	3,5	3,9	5	9,1	SK 12/02 - 71 SP/4	24,1	C98
	15	131	1,3	92,89	3,4	3,9	4,9	10,1			
	11	189	0,9	133,23	3,1	3,9	4,7	10,8			
	21	115	1,7	68,40	3,5	3,9	4,9	9,3	SK 13 - 71 SP/4	21,1	C79
	17	144	1,2	85,47	3,4	3,9	4,9	9,8			
	13	183	1,0	108,72	3,2	3,9	4,7	10,2			
	31	77,4	3,8	45,90	5,4	5,6	7,5	10,9	SK 22 - 71 SP/4	25,1	C80
	26	93,2	3,4	55,28	5,4	5,6	7,4	11,5			
	20	118	2,2	69,81	5,3	5,6	7,4	12,2			
	16	146	1,7	86,30	5,3	5,6	7,4	12,9			
	12	167	2,0	117,25	5,2	5,6	7,3	14	SK 22/02 - 71 SP/4	36,6	C98
	10	191	1,8	134,94	5,2	5,6	7,3	14,5			
	8,5	237	1,4	167,21	5	5,6	7,2	15,2			
	5,9	339	1,0	239,01	4,5	5,6	6,8	16,3			
	5	403	0,8	284,11	3,5	5,6	6,5	16,9			
	22	109	3,1	64,80	5,4	5,6	7,4	11,9	SK 23 - 71 SP/4	33,1	C81
	18	132	2,6	78,05	5,3	5,6	7,4	12,5			
	16	149	2,3	88,45	5,3	5,6	7,4	12,9			
	14	170	2,0	100,6	5,2	5,6	7,3	13,3			
	11	209	1,6	124,17	5,1	5,6	7,2	14			
	9,4	255	1,2	151,44	4,9	5,6	7,1	14,4			
	7,9	303	1,0	179,50	4,7	5,6	7	14,9			
	6,5	367	0,9	217,73	4,3	5,6	6,7	15,5			
		19	123	4,6	72,76	6,8	9	9,4			
17		137	3,8	81,27	6,8	9	9,4	15,8			

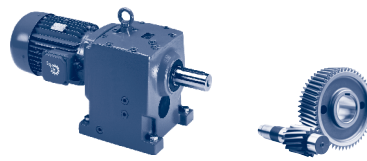
UNICASE™
Helical gear units

0,25 kW



UNICASE™
Helical gear units

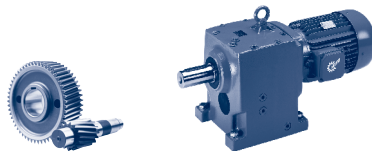
P_1 [kW]	n_2 [r/min]	M_2 [Nm]	f_B	i_{total}	F_R [kN]	F_A	$F_{R VL}$ [kN]	$F_{A VL}$ [kN]	Type	kg	mm
0,25	11	179	3,5	126,21	6,8	9	9,4	17,8	SK 32/12 - 71 SP/4	49,6	C98
	9,6	210	3,0	148,18	6,8	9	9,4	18,5			
	8,5	237	2,6	167,16	6,8	9	9,4	19,1			
	6,6	305	2,0	215,56	6,7	9	9,3	20,3			
	5,3	379	1,6	267,79	6,6	9	9,2	21,4			
	3,9	514	1,2	363,06	6,3	9	9	22,9			
	3,2	632	1,0	446,31	3,4	9	8,8	23,8			
	16	149	3,6	88,18	6,8	9	9,4	16	SK 33N - 71 SP/4	45,1	C83
	13	189	2,9	112,18	6,8	9	9,4	17,1			
	11	226	2,9	134,02	6,8	9	9,4	17,9			
	8,5	281	2,4	166,49	6,7	9	9,3	18,9			
	6,8	349	1,9	207,10	6,6	9	9,3	19,9			
	5,7	419	1,6	248,17	6,5	9	9,2	20,7			
	4,2	572	1,1	339,15	6,1	9	8,9	21,8			
	3,4	710	0,9	421,32	0	9	8,6	22,9			
	6,2	325	3,7	230,05	11,3	12	10,3	19,9	SK 42/12 - 71 SP/4	61,1	C98
	5,1	392	3,1	276,92	11,1	12	10,1	20,8			
	4,1	491	2,4	346,53	10,8	12	9,6	21,9			
	3,3	614	2,0	433,49	7	12	8,9	23			
	2,6	780	1,5	550,73	0	12	7,7	24,1			
	2,1	951	1,3	670,81	0	12	0	24,9			
	1,9	1063	1,1	750,33	0	12	0	25,3			
	7,7	309	3,3	182,76	11,3	12	10,4	18,5	SK 43 - 71 SP/4	66,1	C85
	6,5	370	3,2	219,32	11,2	12	10,1	19,4			
	5,4	445	2,8	263,93	11	12	9,8	20,2			
	4,7	504	2,2	298,80	10,8	12	9,5	20,7			
	3,9	607	2,1	359,59	7,7	12	8,9	21,6			
	3,4	711	1,7	421,11	0	12	8,2	22,3			
	2,7	891	1,1	528,37	0	12	3,6	23,1			
	2,3	1043	1,1	618,76	0	12	0	23,8			
	1,9	1288	0,8	764,03	0	12	0	24,6			
	5	401	4,6	283,13	14,2	23,8	19,7	40	SK 52/12 - 71 SP/4	90,1	C98
	4	502	3,6	354,06	14,1	23,8	19,6	40			
	2,9	697	2,6	491,28	13,9	23,8	19,5	40			
	2,6	769	2,4	542,09	13,9	23,8	19,5	40			
	2	978	1,9	689,41	13,6	23,8	19,3	40			
	1,5	1304	1,4	918,83	13,1	23,8	18,9	40			
	1,2	1621	1,1	1144,36	12,4	23,8	18,5	40			
	1	2023	0,9	1425,44	11,2	23,8	17,7	40			
	1,3	1511	2,1	1064,04	12,9	45	21	45	SK 63/23 - 71 SP/4	162,1	C98
	1	1999	1,6	1408,77	10,6	45	19,1	45			
	0,8	2378	1,3	1676,63	8,5	45	17,4	45			
	0,7	3065	1,0	2161,1	3,8	45	14	45			
	0,5	3992	0,8	2814,26	0	45	8,5	45			
	0,5	3930	1,3	2775,11	10,2	50	24,3	50	SK 73/22 - 71 SP/4	235,1	C98
	0,4	4866	1,0	3436,53	3,1	50	19,4	50			
	0,3	6446	1,2	4542,15	19,4	65	39,8	65	SK 83/33N - 71 SP/4	362,1	C99
	0,3	7699	1,0	5427,09	12,8	65	34,7	65			
	0,2	9823	0,8	6942,82	0	65	25	65			
	0,2	12084	1,0	8512,06	0,8	80	36,1	80	SK 93/43 - 71 SP/4	562,1	C99



P_1 [kW]	n_2 [r/min]	M_2 [Nm]	f_B	i_{total}	F_R [kN]	F_A	$F_{R VL}$ [kN]	$F_{A VL}$	Type	kg	mm C
0,37	331	10,7	4,9	4,22	1,8	3,3	2,5	3,6	SK 02 - 71 LP/4	15,2	C76
	291	12,1	4,7	4,82	1,8	3,3	2,6	3,7			
	252	14	4,1	5,57	1,9	3,3	2,7	3,9			
	230	15,4	3,7	6,10	2	3,3	2,8	4			
	204	17,3	3,5	6,89	2	3,3	2,9	4,2			
	180	19,6	3,2	7,80	2,1	3,3	3	4,3			
	171	20,6	3,1	8,19	2,1	3,3	3,1	4,4			
	152	23,3	2,8	9,28	2,2	3,3	3,2	4,5			
	141	25	2,6	9,95	2,3	3,3	3,2	4,6			
	125	28,3	2,4	11,27	2,3	3,3	3,3	4,8			
	110	32,2	2,2	12,82	2,4	3,3	3,3	5			
	88	40,1	1,8	15,95	2,4	3,3	3,3	5,3			
	68	51,8	1,4	20,59	2,3	3,3	3,3	5,6			
	61	58,2	1,3	23,13	2,3	3,3	3,3	5,7			
	58	61,4	1,5	24,39	2,3	3,3	3,3	5,8			
	51	69,2	1,3	27,52	2,3	3,3	3,2	5,9			
	47	74,4	1,2	29,61	2,2	3,3	3,2	6,1			
42	83,9	1,1	33,42	2,2	3,3	3,2	6,2				
34	105	0,9	41,58	2	3,3	3,1	6,3				
0,5	6100	3,3	2722,11	67,2	120	103,1	120	SK 103/53 - 71 LP/4	815,2	C99	
	0,4	7763	2,6	3462,24	62,3	120	98,8				120
	0,3	9473	2,1	4220,92	56,7	120	94,1				120
	0,2	13001	1,5	5797,20	42,9	120	83,2				120
	0,2	16049	1,2	7149,21	27,8	120	72,2				120
	0,2	18998	1,1	8459,94	8,3	120	59,9				120
132	26,9	5,0	10,70	2,6	3,9	5,1	5,7	SK 12 - 71 LP/4	17,2	C78	
	105	33,7	4,4	13,39	2,7	3,9	5,1				6,1
	84	42,1	3,7	16,73	2,9	3,9	5,1				6,4
	75	47,3	3,4	18,79	3	3,9	5,1				6,6
	66	53,5	3,1	21,28	3,1	3,9	5,1				6,8
	54	65,2	2,1	25,92	3,2	3,9	5				7,1
	48	73,3	1,7	29,15	3,3	3,9	5				7,3
	45	78,3	2,1	31,19	3,4	3,9	5				7,4
	40	88,1	1,7	35,07	3,5	3,9	5				7,6
	37	96,3	1,9	38,31	3,5	3,9	5				7,8
	33	108	1,5	43,09	3,5	3,9	5				8
	33	108	1,5	43,09	3,5	3,9	5				8
	29	120	1,5	47,87	3,5	3,9	4,9				8,2
26	135	1,3	53,84	3,4	3,9	4,9	8,4				
23	154	1,0	61,35	3,3	3,9	4,8	8,6				
21	172	1,1	68,40	3,2	3,9	4,8	8,7	SK 13 - 71 LP/4	22,2	C79	
	16	215	0,8	85,47	2,7	3,9	4,6				9,1
31	115	2,5	45,9	5,3	5,6	7,4	10,7	SK 22 - 71 LP/4	26,2	C80	
	25	139	2,3	55,28	5,3	5,6	7,4				11,2
	20	175	1,5	69,81	5,2	5,6	7,3				11,8
	16	217	1,2	86,30	5,1	5,6	7,2				12,4
12	264	1,3	117,25	4,9	5,6	7,1	13,3	SK 22/02 - 71 LP/4	37,7	C98	
	10	303	1,1	134,94	4,7	5,6	7				13,7
	8,4	375	0,9	167,21	4,3	5,6	6,7				14,2

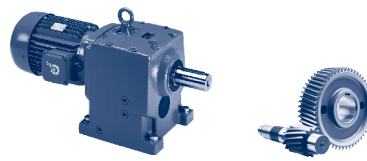
UNICASE™
Helical gear units

0,37 kW



UNICASE™
Helical gear units

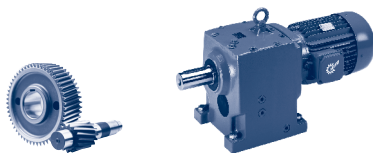
P_1 [kW]	n_2 [r/min]	M_2 [Nm]	f_B	i_{total}	F_R [kN]	F_A	$F_{R VL}$ [kN]	$F_{A VL}$ [kN]	Type	kg	mm
0,37	22	163	2,1	64,80	5,2	5,6	7,3	11,5	SK 23 - 71 LP/4	34,2	C81
	18	196	1,7	78,05	5,1	5,6	7,3	12,1			
	16	222	1,5	88,45	5,1	5,6	7,2	12,4			
	14	253	1,3	100,60	4,9	5,6	7,1	12,7			
	11	312	1,1	124,17	4,6	5,6	6,9	13,2			
	19	183	3,1	72,76	6,8	9	9,4	15	SK 32 - 71 LP/4	37,2	C82
	17	204	2,5	81,27	6,8	9	9,4	15,4			
	11	283	2,2	126,21	6,7	9	9,3	17,2	SK 32/12 - 71 LP/4	50,7	C98
	9,5	332	1,9	148,18	6,6	9	9,3	17,8			
	8,4	375	1,7	167,16	6,6	9	9,2	18,3			
6,5	483	1,3	215,56	6,4	9	9,1	19,2				
5,3	600	1,0	267,79	5,8	9	8,9	20,1				
16	222	2,4	88,18	6,8	9	9,4	15,6	SK 33N - 71 LP/4	46,2	C83	
13	282	1,9	112,18	6,7	9	9,3	16,5				
10	337	1,9	134,02	6,6	9	9,3	17,2				
8,4	418	1,6	166,49	6,5	9	9,2	18,1				
6,8	520	1,3	207,10	6,3	9	9	18,9				
5,7	624	1,1	248,17	4	9	8,8	19,5				
12	261	4,6	116,20	11,5	12	10,6	16,3	SK 42/12 - 71 LP/4	62,2	C98	
10	315	3,8	140,40	11,3	12	10,4	17				
8,3	379	3,2	169,00	11,2	12	10,1	17,8				
6,1	515	2,3	230,05	10,7	12	9,4	19				
5,1	620	1,9	276,92	6,5	12	8,8	19,7				
4,1	778	1,5	346,53	0	12	7,7	20,5				
3,2	972	1,2	433,49	0	12	0	21,2				
2,6	1235	1,0	550,73	0	12	0	21,8				
13	270	4,1	107,51	11,4	12	10,5	15,8				SK 43 - 71 LP/4
11	325	3,8	129,38	11,3	12	10,3	16,6				
7,7	460	2,2	182,76	10,9	12	9,7	17,7				
6,4	551	2,2	219,32	10,6	12	9,2	18,5				
5,3	664	1,9	263,93	2,7	12	8,5	19,2				
4,7	751	1,5	298,80	0	12	7,9	19,5				
3,9	904	1,4	359,59	0	12	2,7	20,1				
3,3	1059	1,1	421,11	0	12	0	20,6				
7,2	437	4,2	194,62	14,1	23,8	19,7	40	SK 52/12 - 71 LP/4	91,2	C98	
6,4	493	3,7	219,56	14,1	23,8	19,6	40				
5	635	2,9	283,13	14	23,8	19,6	40				
4	795	2,3	354,06	13,8	23,8	19,5	40				
2,9	1103	1,7	491,28	13,4	23,8	19,2	40				
2,6	1216	1,5	542,09	13,2	23,8	19	40				
2	1548	1,2	689,41	12,6	23,8	18,6	40				
1,5	2064	0,9	918,83	11,1	23,8	17,6	40				
7,9	446	4,3	177,22	14,1	23,8	19,7	40				SK 53 - 71 LP/4
7,6	467	3,9	185,72	14,1	23,8	19,7	40				
5,9	595	3,2	236,21	14	23,8	19,6	40				
3,8	825	3,9	368,29	15,7	37,4	23,4	45	SK 63/22 - 71 LP/4	155,2	C98	
3,3	965	3,3	430,19	15,2	38,9	22,9	45				
2,5	1243	2,6	552,45	14,1	41,4	22	45				
1,9	1632	2,0	727,45	12,4	44,1	20,5	45				
1,7	1909	1,7	849,73	11,1	45	19,4	45				



P_1 [kW]	n_2 [r/min]	M_2 [Nm]	f_B	i_{total}	F_R [kN]	F_A [kN]	$F_{R VL}$ [kN]	$F_{A VL}$ [kN]	Type	kg	mm C	
0,37	1,3	2392	1,3	1064,04	8,4	45	17,3	45	SK 63/23 - 71 LP/4	163,2	C98	
	1	3164	1,0	1408,77	3	45	13,5	45				
	0,8	3763	0,9	1676,63	0	45	10	45				
	0,37	3,1	1026	4,9	457,68	25,5	36,1	36,2	50	SK 73/22 - 71 LP/4	236,2	C98
		2,5	1270	3,9	566,77	24,5	38,1	35,3	50			
		1,9	1652	3,0	737,61	22,9	40,5	34	50			
		1,6	1988	2,5	888,16	21,3	42,3	32,7	50			
		1,3	2461	2,0	1099,84	19	44,3	30,8	50			
		1,1	2809	1,8	1254,07	17,1	45,5	29,4	50			
		0,5	6220	0,8	2775,11	0	50	11	50			
	0,37	1,9	1621	4,9	724,73	38,1	65	55,6	65	SK 83/32 - 71 LP/4	354,2	C98
		1,6	2013	4,0	900,50	36,9	65	54,5	65			
		1,2	2584	3,1	1155,49	35,1	65	52,9	65			
		0,8	3775	2,1	1687,12	30,8	65	49,2	65			
	0,37	0,6	4932	2,5	2204,72	41,7	80	64,7	80	SK 93/43 - 71 LP/4	563,2	C99
		0,5	6089	2,0	2713,63	37,1	80	60,9	80			
		0,4	8368	1,5	3724,20	26,4	80	52,7	80			
		0,3	9646	1,3	4302,39	19,1	80	47,4	80			
		0,2	12944	0,9	5782,96	0	80	31,5	80			
	0,55	479	11	4,2	2,95	1,5	2,8	2,2	3,1	SK 02 - 80 SP/4	17,7	C76
419		12,5	4,1	3,38	1,6	3	2,3	3,3				
364		14,4	3,7	3,89	1,7	3,1	2,4	3,4				
335		15,7	3,3	4,22	1,7	3,2	2,4	3,5				
295		17,8	3,2	4,82	1,8	3,3	2,5	3,6				
255		20,6	2,8	5,57	1,8	3,3	2,6	3,8				
232		22,6	2,5	6,10	1,9	3,3	2,7	3,9				
206		25,5	2,4	6,89	2	3,3	2,8	4				
182		28,8	2,2	7,80	2	3,3	2,9	4,1				
173		30,3	2,1	8,19	2,1	3,3	2,9	4,2				
153		34,3	1,9	9,28	2,1	3,3	3	4,3				
143		36,8	1,7	9,95	2,2	3,3	3,1	4,4				
126		41,6	1,6	11,27	2,2	3,3	3,2	4,6				
111		47,4	1,5	12,82	2,3	3,3	3,3	4,7				
89		59	1,2	15,95	2,3	3,3	3,3	5				
69		76,2	1,0	20,59	2,2	3,3	3,2	5,3				
61		85,6	0,9	23,13	2,2	3,3	3,2	5,2				
58		90,3	1,0	24,39	2,1	3,3	3,1	5,3				
52		102	0,9	27,52	1,9	3,3	3,1	5,4				
48		109	0,8	29,61	1,9	3,3	3	5,5				
0,55	0,5	9328	2,1	2722,11	57,2	120	94,6	120	SK 103/53 - 80 SP/4	817,7	C99	
	0,4	11871	1,7	3462,24	47,7	120	86,9	120				
	0,3	14485	1,4	4220,92	36	120	78	120				
	0,2	19881	1,0	5797,20	0,7	120	55,9	120				
	0,2	24540	0,8	7149,21	0	120	30,8	120				
0,55	195	27	4,6	7,28	2,2	3,9	5,1	5	SK 12 - 80 SP/4	19,7	C78	
	181	29	4,5	7,85	2,3	3,9	5,1	5,1				
	166	31,6	4,1	8,56	2,3	3,9	5,1	5,3				
	147	35,7	3,8	9,65	2,4	3,9	5,1	5,4				
	133	39,5	3,4	10,70	2,5	3,9	5,1	5,6				
	106	49,5	3,0	13,39	2,6	3,9	5,1	5,9				
	85	61,9	2,5	16,73	2,8	3,9	5	6,2				

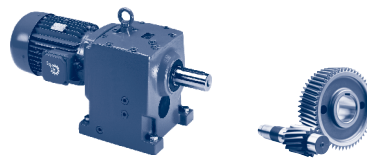
UNICASE™
Helical gear units

0,55 kW



UNICASE™
Helical gear units

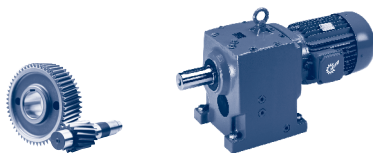
P_1 [kW]	n_2 [r/min]	M_2 [Nm]	f_B	i_{total}	F_R [kN]	F_A	$F_{R VL}$ [kN]	$F_{A VL}$	Type	kg	mm
0,55	76	69,5	2,3	18,79	2,8	3,9	5	6,4	SK 12 - 80 SP/4	19,7	C78
	67	78,7	2,1	21,28	2,9	3,9	5	6,6			
	55	95,9	1,4	25,92	3	3,9	5	6,8			
	49	108	1,1	29,15	3	3,9	5	6,9			
	46	115	1,4	31,19	3,1	3,9	4,9	7			
	41	130	1,1	35,07	2,8	3,9	4,9	7,2			
	37	142	1,3	38,31	2,7	3,9	4,9	7,3			
	33	159	1,0	43,09	2,3	3,9	4,8	7,5			
	33	159	1,0	43,09	2,3	3,9	4,8	7,5			
	30	177	1,0	47,87	2,2	3,9	4,7	7,7			
26	199	0,9	53,84	1,6	3,9	4,6	7,8				
	58	91,3	2,7	24,73	4,7	5,6	7,4	8,8	SK 22 - 80 SP/4	28,7	C80
	48	109	2,7	29,31	4,9	5,6	7,4	9,2			
	40	131	2,5	35,55	5,1	5,6	7,4	9,6			
	33	158	2,1	42,82	5,2	5,6	7,3	10,1			
	31	170	1,7	45,90	5,2	5,6	7,3	10,2			
	26	204	1,6	55,28	5,1	5,6	7,3	10,6			
	20	258	1,0	69,81	4,9	5,6	7,1	11,1			
	12	403	0,8	117,25	3,5	5,6	6,5	12,2	SK 22/02 - 80 SP/4	40,2	C98
	22	240	1,4	64,80	5	5,6	7,2	10,9	SK 23 - 80 SP/4	36,7	C81
	18	288	1,2	78,05	4,8	5,6	7	11,3			
	16	326	1,0	88,45	4,6	5,6	6,9	11,5			
	14	372	0,9	100,60	4,3	5,6	6,7	11,7			
	43	122	3,1	33,05	6,1	9	9,4	11,8	SK 32 - 80 SP/4	39,7	C82
	37	143	3,1	38,76	6,3	9	9,4	12,3			
	31	171	3,1	46,31	6,7	9	9,4	12,9			
	25	213	2,9	57,53	6,8	9	9,4	13,7			
	22	238	2,7	64,26	6,8	9	9,4	14			
	20	269	2,1	72,76	6,7	9	9,3	14,4			
	17	301	1,7	81,27	6,7	9	9,3	14,8			
	11	433	1,4	126,21	6,5	9	9,1	16,2	SK 32/12 - 80 SP/4	53,2	C98
	9,6	508	1,2	148,18	6,3	9	9	16,6			
	8,5	573	1,1	167,16	6,1	9	8,9	16,9			
	6,6	738	0,8	215,56	0	9	8,5	17,5			
	16	327	1,6	88,18	6,6	9	9,3	14,9	SK 33N - 80 SP/4	48,7	C83
	13	415	1,3	112,18	6,5	9	9,2	15,5			
	11	496	1,3	134,02	6,3	9	9,1	16,1			
	8,5	615	1,1	166,49	4,6	9	8,8	16,8			
	6,9	766	0,9	207,10	0	9	8,5	17,3			
	16	301	4,0	87,73	10,8	12	10,4	14,6	SK 42/12 - 80 SP/4	64,7	C98
	12	399	3,0	116,20	11,1	12	10	15,6			
	10	482	2,5	140,40	10,9	12	9,6	16,1			
	8,4	580	2,1	169,00	9,9	12	9,1	16,7			
	6,2	788	1,5	230,05	0	12	7,6	17,4			
	5,1	948	1,3	276,92	0	12	0	17,9			
	4,1	1189	1,0	346,53	0	12	0	18,3			
	3,3	1486	0,8	433,49	0	12	0	18,4			



P_1 [kW]	n_2 [r/min]	M_2 [Nm]	f_B	i_{total}	F_R [kN]	F_A	$F_{R VL}$ [kN]	$F_{A VL}$	Type	kg	mm C
0,55	20	259	4,9	70,12	10,1	12	10,6	13,8	SK 43 - 80 SP/4	69,7	C85
	18	296	4,2	79,96	10,5	12	10,5	14,2			
	15	351	3,5	94,96	11	12	10,2	14,8			
	13	397	2,8	107,51	11,1	12	10	15,1			
	11	478	2,6	129,38	10,9	12	9,6	15,7			
	10	524	2,0	141,55	10,7	12	9,4	15,8			
	8,4	628	1,9	169,86	5,3	12	8,8	16,4			
	7,8	676	1,5	182,76	0	12	8,4	16,5			
	6,9	756	1,7	204,42	0	12	7,9	16,9			
	6,5	811	1,5	219,32	0	12	7,4	17			
	6,1	856	1,3	231,43	0	12	5,3	17,1			
	5,4	977	1,3	263,93	0	12	0	17,5			
	5,1	1030	1,2	278,51	0	12	0	17,5			
	4,8	1105	1,0	298,80	0	12	0	17,5			
	3,9	1330	1,0	359,59	0	12	0	17,8			
	11	427	4,3	124,38	14,1	23,8	19,7	40	SK 52/12 - 80 SP/4	93,7	C98
	9,7	501	3,7	146,03	14,1	23,8	19,6	40			
	7,3	668	2,7	194,62	14	23,8	19,5	40			
	6,5	754	2,4	219,56	13,9	23,8	19,5	40			
	5	971	1,9	283,13	13,6	23,8	19,3	40			
	4	1215	1,5	354,06	13,3	23,8	19	40			
	2,9	1686	1,1	491,28	12,2	23,8	18,3	40			
	2,6	1860	1,0	542,09	11,7	23,8	18	40			
	10	516	4,3	139,34	14,1	23,8	19,6	40	SK 53 - 80 SP/4	102,7	C87
	8	656	2,9	177,22	14	23,8	19,6	40			
	7,6	688	2,6	185,72	14	23,8	19,5	40			
	6	875	2,2	236,21	13,8	23,8	19,4	40			
	5,8	909	2,0	245,56	13,7	23,8	19,4	40			
	4,8	1088	2,0	294,26	13,5	23,8	19,2	40			
	3,8	1385	1,4	374,25	12,9	23,8	18,8	40			
	3,6	1451	1,3	392,20	12,8	23,8	18,7	40			
	2,8	1847	1,0	498,82	11,8	23,8	18	40			
	2,6	2029	0,9	548,89	11,2	23,8	17,7	40			
	2,3	2245	0,8	607,30	10,4	23,8	17,2	40			
	6,3	772	4,1	224,97	15,9	32	23,6	45	SK 63/22 - 80 SP/4	157,7	C98
	5	971	3,3	282,73	15,2	33,8	22,9	45			
	3,9	1262	2,5	368,29	14	36	21,9	45			
	3,3	1475	2,2	430,19	13,1	37,3	21,1	45			
	2,6	1901	1,7	552,45	11,1	39,4	19,5	45			
	2	2496	1,3	727,45	7,8	41,6	16,9	45			
	1,7	2919	1,1	849,73	4,9	42,7	14,8	45			
	1,3	3658	0,9	1064,04	0	44,3	10,7	45			
	4,1	1189	4,2	345,90	24,9	32,5	35,6	50	SK 73/22 - 80 SP/4	238,7	C98
	3,1	1569	3,2	457,68	23,2	34,7	34,3	50			
	2,5	1943	2,6	566,77	21,5	36,4	32,9	50			
	1,9	2526	2,0	737,61	18,6	38,4	30,6	50			
	1,6	3040	1,6	888,16	15,8	39,7	28,4	50			
	1,3	3764	1,3	1099,84	11,4	41,2	25,1	50			
	1,1	4295	1,2	1254,07	7,6	41,9	22,4	50			
	0,8	6081	0,8	1772,08	0	43,5	12	50			

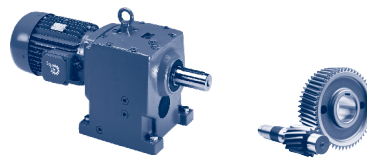
UNICASE™
Helical gear units

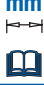
0,55 kW
0,75 kW



P_1 [kW]	n_2 [r/min]	M_2 [Nm]	f_B	i_{total}	F_R [kN]	F_A	$F_{R VL}$ [kN]	$F_{A VL}$	Type	kg	mm			
0,55	2	2478	3,2	724,73	35,4	65	53,2	65	SK 83/32 - 80 SP/4	356,7	C98			
	1,6	3078	2,6	900,50	33,4	65	51,4	65						
	1,2	3951	2,0	1155,49	30,2	65	48,6	65						
	0,8	5773	1,4	1687,12	22,6	65	42,3	65						
	0,7	6993	1,1	2045,46	16,6	65	37,6	65						
	0,5	9810	0,8	2866,13	0	65	25	65						
	0,6	7542	1,6	2204,72	30,5	80	55,8	80				SK 93/43 - 80 SP/4	565,7	C99
	0,5	9311	1,3	2713,63	21,1	80	48,8	80						
	0,4	12795	1,0	3724,2	0	80	32,4	80						
	0,3	14750	0,8	4302,39	0	80	20,9	80						
0,75	477	15	3,1	2,95	1,5	2,7	2,1	3,1	SK 02 - 80 LP/4	18,2	C76			
	417	17,2	3,0	3,38	1,6	2,9	2,2	3,2						
	363	19,7	2,7	3,89	1,6	3	2,3	3,3						
	334	21,5	2,4	4,22	1,7	3,1	2,4	3,4						
	293	24,4	2,3	4,82	1,7	3,1	2,4	3,5						
	254	28,2	2,0	5,57	1,8	3,3	2,5	3,7						
	231	31	1,8	6,10	1,8	3,3	2,6	3,8						
	205	34,9	1,7	6,89	1,9	3,3	2,7	3,9						
	182	39,5	1,6	7,80	1,9	3,3	2,8	4						
	173	41,5	1,5	8,19	2	3,3	2,8	4						
	153	46,9	1,4	9,28	2	3,3	2,9	4,1						
	142	50,3	1,3	9,95	2,1	3,3	2,9	4,2						
	126	56,9	1,2	11,27	2,1	3,3	3	4,3						
	110	64,8	1,1	12,82	2,2	3,3	3,1	4,4						
	89	80,7	0,9	15,95	2,1	3,3	3,2	4,7						
	0,5	13031	1,5	2722,11	42,7	120	83,1	120				SK 103/53 - 80 LP/4	818,2	C99
	0,4	16585	1,2	3462,24	24,7	120	70	120						
	0,3	20237	1,0	4220,92	0	120	54,2	120						
	287	25	4,6	4,93	1,9	3,6	5,1	4,5				SK 12 - 80 LP/4	20,2	C78
	245	29,3	4,2	5,79	2	3,8	5,1	4,6						
	217	33,1	3,8	6,53	2,1	3,9	5,1	4,8						
	194	36,9	3,4	7,28	2,2	3,9	5,1	5						
	180	39,7	3,3	7,85	2,2	3,9	5,1	5						
	166	43,3	3,0	8,56	2,2	3,9	5,1	5,1						
	147	48,9	2,8	9,65	2,3	3,9	5,1	5,3						
132	54,1	2,5	10,70	2,4	3,9	5,1	5,4							
106	67,8	2,2	13,39	2,5	3,9	5	5,7							
85	84,7	1,8	16,73	2,6	3,9	5	6							
75	95,2	1,7	18,79	2,7	3,9	5	6,2							
67	108	1,6	21,28	2,7	3,9	5	6,3							
55	131	1,0	25,92	1,7	3,9	4,9	6,4							
49	148	0,8	29,15	1,2	3,9	4,8	6,5							
45	158	1,0	31,19	1,2	3,9	4,8	6,6							
40	177	0,8	35,07	0,7	3,9	4,7	6,7							
37	194	0,9	38,31	0,5	3,9	4,7	6,8							
96	74,3	4,5	14,69	4	5,6	7,5	7,6	SK 22 - 80 LP/4	29,2	C80				
85	84,7	4,0	16,75	4,1	5,6	7,4	7,9							
57	125	2,0	24,73	4,5	5,6	7,4	8,5							
48	149	2,0	29,31	4,7	5,6	7,4	8,9							
40	180	1,8	35,55	4,9	5,6	7,3	9,3							
33	217	1,6	42,82	5,1	5,6	7,2	9,6							
31	232	1,3	45,90	5	5,6	7,2	9,7							
26	280	1,1	55,28	4,7	5,6	7	10,1							

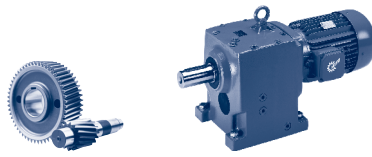
UNICASE™
Helical gear units



P_1 [kW]	n_2 [r/min]	M_2 [Nm]	f_B	i_{total}	F_R [kN]	F_A [kN]	$F_{R VL}$ [kN]	$F_{A VL}$ [kN]	Type	kg	mm 																																																																																																																																																																																																																																																																																																																																																																																																																		
0,75	22	328	1,0	64,80	3,3	5,6	6,9	10,2	SK 23 - 80 LP/4	37,2	C81																																																																																																																																																																																																																																																																																																																																																																																																																		
	18	395	0,9	78,05	2,2	5,6	6,6	10,5				52	138	4,4	27,24	5,6	9	9,4	11,1	SK 32 - 80 LP/4	40,2	C82	46	154	4,1	30,43	5,8	9	9,4	11,4	43	167	2,3	33,05	5,9	9	9,4	11,5	37	196	2,3	38,76	6,1	9	9,4	12	31	234	2,3	46,31	6,4	9	9,4	12,5	25	291	2,1	57,53	6,7	9	9,3	13,2	22	325	2,0	64,26	6,6	9	9,3	13,5	19	368	1,5	72,76	6,6	9	9,2	13,8	17	411	1,3	81,27	6,5	9	9,2	14,1	11	605	1,0	126,21	4,4	9	8,9	15,1	SK 32/12 - 80 LP/4	53,7	C98	9,6	709	0,9	148,18	0	9	8,6	15,4	16	447	1,2	88,18	6,4	9	9,1	14,1	SK 33N - 80 LP/4	49,2	C83	13	568	1,0	112,18	6,1	9	8,9	14,6	11	678	1,0	134,02	0	9	8,7	15	16	421	2,9	87,73	10,4	12	9,9	14	SK 42/12 - 80 LP/4	65,2	C98	12	557	2,2	116,20	10,6	12	9,2	14,7	10	673	1,8	140,40	1,3	12	8,5	15,1	8,4	810	1,5	169,00	0	12	7,4	15,5	6,2	1100	1,1	230,05	0	12	0	15,8	5,1	1325	0,9	276,92	0	12	0	16	29	246	4,3	48,56	8,9	12	10,6	12,2	SK 43 - 80 LP/4	70,2	C85	24	295	4,0	58,27	9,3	12	10,5	12,8	20	355	3,6	70,12	9,8	12	10,2	13,3	18	405	3,0	79,96	10,1	12	10	13,7	15	480	2,6	94,96	10,5	12	9,6	14,1	13	543	2,1	107,51	10,7	12	9,3	14,3	11	654	1,9	129,38	3,5	12	8,6	14,8	10	717	1,5	141,55	0	12	8,1	14,8	8,3	860	1,4	169,86	0	12	5,1	15,2	7,7	926	1,1	182,76	0	12	0	15,1	6,9	1035	1,2	204,42	0	12	0	15,5	6,5	1110	1,1	219,32	0	12	0	15,5	6,1	1171	1,0	231,43	0	12	0	15,5	5,4	1336	0,9	263,93	0	12	0	15,6	5,1	1410	0,9	278,51	0	12	0	15,6	14	469	3,9	97,80	14,1	23,8	19,7	40	SK 52/12 - 80 LP/4	94,2	C98	11	597	3,1	124,38	14	23,8	19,6	40	9,7	700	2,6	146,03	13,9	23,8	19,5	40	7,3	933	2,0	194,62	13,7	23,8	19,3	40	6,4	1054	1,7	219,56	13,5	23,8	19,2	40	5	1357	1,3	283,13	13	23,8	18,9	40	4	1698	1,1	354,06	12,2	23,8	18,3	40	18	403	4,6	79,69	14,2	23,8	19,7	40	SK 53 - 80 LP/4	103,2	C87	15	483	4,6	95,49	14,1	23,8	19,6	40	13	535	4,2	105,87	14,1	23,8	19,6	40	10	706	3,2	139,34	13,9	23,8	19,5	40	8	898	2,1	177,22	13,7	23,8	19,4	40	7,6	941	1,9	185,72	13,7
	52	138	4,4	27,24	5,6	9	9,4	11,1	SK 32 - 80 LP/4	40,2	C82																																																																																																																																																																																																																																																																																																																																																																																																																		
	46	154	4,1	30,43	5,8	9	9,4	11,4																																																																																																																																																																																																																																																																																																																																																																																																																					
	43	167	2,3	33,05	5,9	9	9,4	11,5																																																																																																																																																																																																																																																																																																																																																																																																																					
	37	196	2,3	38,76	6,1	9	9,4	12																																																																																																																																																																																																																																																																																																																																																																																																																					
	31	234	2,3	46,31	6,4	9	9,4	12,5																																																																																																																																																																																																																																																																																																																																																																																																																					
	25	291	2,1	57,53	6,7	9	9,3	13,2																																																																																																																																																																																																																																																																																																																																																																																																																					
	22	325	2,0	64,26	6,6	9	9,3	13,5																																																																																																																																																																																																																																																																																																																																																																																																																					
	19	368	1,5	72,76	6,6	9	9,2	13,8																																																																																																																																																																																																																																																																																																																																																																																																																					
17	411	1,3	81,27	6,5	9	9,2	14,1	11	605	1,0	126,21	4,4	9	8,9	15,1	SK 32/12 - 80 LP/4	53,7	C98	9,6	709	0,9	148,18	0	9	8,6	15,4	16	447	1,2	88,18	6,4	9	9,1	14,1	SK 33N - 80 LP/4	49,2	C83	13	568	1,0	112,18	6,1	9	8,9	14,6	11	678	1,0	134,02	0	9	8,7	15	16	421	2,9	87,73	10,4	12	9,9	14	SK 42/12 - 80 LP/4	65,2	C98	12	557	2,2	116,20	10,6	12	9,2	14,7	10	673	1,8	140,40	1,3	12	8,5	15,1	8,4	810	1,5	169,00	0	12	7,4	15,5	6,2	1100	1,1	230,05	0	12	0	15,8	5,1	1325	0,9	276,92	0	12	0	16	29	246	4,3	48,56	8,9	12	10,6	12,2	SK 43 - 80 LP/4	70,2	C85	24	295	4,0	58,27	9,3	12	10,5	12,8	20	355	3,6	70,12	9,8	12	10,2	13,3	18	405	3,0	79,96	10,1	12	10	13,7	15	480	2,6	94,96	10,5	12	9,6	14,1	13	543	2,1	107,51	10,7	12	9,3	14,3	11	654	1,9	129,38	3,5	12	8,6	14,8	10	717	1,5	141,55	0	12	8,1	14,8	8,3	860	1,4	169,86	0	12	5,1	15,2	7,7	926	1,1	182,76	0	12	0	15,1	6,9	1035	1,2	204,42				0	12	0	15,5	6,5	1110	1,1	219,32	0	12	0	15,5	6,1	1171	1,0	231,43	0	12	0	15,5	5,4	1336	0,9	263,93	0	12	0	15,6	5,1	1410	0,9	278,51	0	12	0	15,6	14	469	3,9	97,80	14,1	23,8	19,7	40	SK 52/12 - 80 LP/4	94,2	C98	11	597	3,1	124,38	14	23,8	19,6	40	9,7	700	2,6	146,03	13,9	23,8	19,5	40	7,3	933	2,0	194,62	13,7	23,8	19,3	40	6,4	1054	1,7	219,56	13,5	23,8	19,2	40	5	1357	1,3	283,13	13	23,8	18,9	40	4	1698	1,1	354,06	12,2	23,8	18,3	40	18	403	4,6	79,69	14,2	23,8	19,7	40	SK 53 - 80 LP/4	103,2	C87	15	483	4,6	95,49	14,1	23,8	19,6	40	13	535	4,2	105,87	14,1	23,8	19,6	40	10	706	3,2	139,34	13,9	23,8	19,5	40	8	898	2,1	177,22	13,7	23,8	19,4	40	7,6	941	1,9	185,72	13,7	23,8	19,3	40																																																																									
11	605	1,0	126,21	4,4	9	8,9	15,1	SK 32/12 - 80 LP/4	53,7	C98																																																																																																																																																																																																																																																																																																																																																																																																																			
9,6	709	0,9	148,18	0	9	8,6	15,4				16	447	1,2	88,18	6,4	9	9,1	14,1	SK 33N - 80 LP/4	49,2	C83	13	568	1,0	112,18	6,1	9	8,9	14,6	11	678	1,0	134,02	0				9	8,7	15	16	421	2,9	87,73	10,4	12	9,9	14	SK 42/12 - 80 LP/4	65,2	C98	12	557	2,2	116,20	10,6	12	9,2	14,7	10	673				1,8	140,40	1,3	12	8,5	15,1	8,4	810	1,5	169,00	0	12	7,4	15,5	6,2	1100	1,1	230,05	0	12	0	15,8	5,1	1325	0,9	276,92	0	12	0	16	29	246	4,3	48,56	8,9	12	10,6	12,2	SK 43 - 80 LP/4	70,2	C85	24	295	4,0	58,27	9,3	12	10,5				12,8	20	355	3,6	70,12	9,8	12	10,2	13,3	18	405	3,0	79,96	10,1	12	10	13,7	15	480	2,6	94,96	10,5	12	9,6	14,1	13	543	2,1	107,51	10,7	12	9,3	14,3	11	654	1,9	129,38	3,5	12	8,6	14,8	10	717	1,5	141,55	0	12	8,1	14,8	8,3	860	1,4	169,86	0	12	5,1	15,2	7,7	926	1,1	182,76	0	12	0	15,1	6,9	1035	1,2	204,42	0	12	0	15,5	6,5	1110	1,1				219,32	0	12	0	15,5	6,1	1171	1,0	231,43	0	12	0	15,5	5,4	1336	0,9	263,93	0	12	0	15,6	5,1	1410	0,9	278,51	0	12	0	15,6	14	469	3,9	97,80	14,1	23,8	19,7	40	SK 52/12 - 80 LP/4	94,2	C98	11	597	3,1	124,38				14	23,8	19,6	40	9,7	700	2,6	146,03	13,9	23,8	19,5	40	7,3	933	2,0	194,62	13,7	23,8	19,3	40	6,4	1054	1,7	219,56	13,5	23,8	19,2	40	5	1357	1,3	283,13	13	23,8	18,9	40	4	1698	1,1	354,06	12,2	23,8	18,3	40	18	403	4,6	79,69	14,2	23,8	19,7	40	SK 53 - 80 LP/4	103,2	C87	15				483	4,6	95,49	14,1	23,8	19,6	40	13	535	4,2	105,87	14,1	23,8	19,6	40	10	706	3,2	139,34	13,9	23,8	19,5	40	8	898	2,1	177,22	13,7	23,8	19,4	40	7,6	941	1,9	185,72	13,7	23,8	19,3	40																																																																										
16	447	1,2	88,18	6,4	9	9,1	14,1	SK 33N - 80 LP/4	49,2	C83																																																																																																																																																																																																																																																																																																																																																																																																																			
13	568	1,0	112,18	6,1	9	8,9	14,6																																																																																																																																																																																																																																																																																																																																																																																																																						
11	678	1,0	134,02	0	9	8,7	15				16	421	2,9	87,73	10,4	12	9,9	14	SK 42/12 - 80 LP/4	65,2	C98	12	557	2,2	116,20	10,6	12	9,2	14,7	10	673	1,8	140,40	1,3	12	8,5	15,1	8,4	810	1,5	169,00	0	12	7,4	15,5	6,2	1100	1,1				230,05	0	12	0	15,8	5,1	1325	0,9	276,92	0				12	0	16	29	246	4,3	48,56	8,9	12	10,6	12,2	SK 43 - 80 LP/4	70,2	C85	24	295	4,0	58,27	9,3	12	10,5	12,8	20	355	3,6	70,12	9,8	12	10,2	13,3	18	405	3,0	79,96	10,1	12	10	13,7				15	480	2,6	94,96	10,5	12	9,6				14,1	13	543	2,1	107,51	10,7	12	9,3	14,3	11	654	1,9	129,38	3,5	12	8,6	14,8	10	717	1,5	141,55	0	12	8,1	14,8	8,3	860	1,4	169,86	0	12	5,1	15,2	7,7	926	1,1	182,76	0	12	0	15,1	6,9	1035	1,2	204,42	0	12	0	15,5	6,5	1110	1,1	219,32	0	12	0	15,5	6,1	1171	1,0	231,43	0	12	0	15,5	5,4	1336	0,9	263,93	0	12	0	15,6	5,1	1410	0,9				278,51	0	12	0	15,6	14	469	3,9	97,80	14,1	23,8	19,7	40	SK 52/12 - 80 LP/4	94,2	C98	11	597	3,1	124,38	14	23,8	19,6	40	9,7	700	2,6	146,03	13,9	23,8	19,5	40	7,3	933	2,0	194,62	13,7				23,8	19,3	40	6,4				1054	1,7	219,56	13,5	23,8	19,2	40	5	1357	1,3	283,13	13	23,8	18,9	40	4	1698	1,1	354,06	12,2	23,8	18,3	40	18	403	4,6	79,69	14,2	23,8	19,7	40	SK 53 - 80 LP/4	103,2	C87	15	483	4,6	95,49	14,1	23,8	19,6	40	13	535	4,2	105,87	14,1	23,8	19,6	40	10	706				3,2				139,34	13,9	23,8	19,5	40	8	898	2,1	177,22	13,7	23,8	19,4	40	7,6	941	1,9	185,72	13,7	23,8	19,3	40																																																																																												
16	421	2,9	87,73	10,4	12	9,9	14	SK 42/12 - 80 LP/4	65,2	C98																																																																																																																																																																																																																																																																																																																																																																																																																			
12	557	2,2	116,20	10,6	12	9,2	14,7																																																																																																																																																																																																																																																																																																																																																																																																																						
10	673	1,8	140,40	1,3	12	8,5	15,1																																																																																																																																																																																																																																																																																																																																																																																																																						
8,4	810	1,5	169,00	0	12	7,4	15,5																																																																																																																																																																																																																																																																																																																																																																																																																						
6,2	1100	1,1	230,05	0	12	0	15,8																																																																																																																																																																																																																																																																																																																																																																																																																						
5,1	1325	0,9	276,92	0	12	0	16				29	246	4,3	48,56	8,9	12	10,6	12,2	SK 43 - 80 LP/4	70,2	C85	24	295	4,0	58,27	9,3	12	10,5	12,8	20	355	3,6	70,12	9,8	12	10,2	13,3	18	405	3,0	79,96	10,1	12	10	13,7	15	480	2,6	94,96	10,5	12	9,6	14,1	13	543	2,1	107,51	10,7	12	9,3	14,3	11	654	1,9	129,38	3,5	12	8,6	14,8	10	717	1,5	141,55	0	12				8,1	14,8	8,3	860	1,4	169,86	0	12	5,1	15,2	7,7	926	1,1	182,76	0	12	0	15,1	6,9	1035	1,2	204,42	0	12				0	15,5	6,5	1110	1,1	219,32	0				12	0	15,5	6,1	1171	1,0	231,43	0	12	0	15,5	5,4	1336	0,9	263,93	0	12	0	15,6	5,1	1410	0,9	278,51	0	12	0	15,6	14	469	3,9	97,80	14,1	23,8	19,7	40	SK 52/12 - 80 LP/4	94,2	C98	11	597	3,1	124,38	14	23,8	19,6	40	9,7	700	2,6	146,03	13,9	23,8	19,5	40	7,3	933	2,0	194,62	13,7	23,8	19,3	40	6,4	1054	1,7	219,56	13,5	23,8	19,2	40	5	1357	1,3	283,13	13	23,8	18,9	40	4	1698	1,1	354,06	12,2	23,8	18,3	40	18	403	4,6	79,69	14,2	23,8				19,7	40	SK 53 - 80 LP/4	103,2	C87	15	483	4,6	95,49	14,1	23,8	19,6	40	13	535	4,2	105,87	14,1	23,8	19,6	40	10	706	3,2	139,34	13,9	23,8	19,5	40	8	898	2,1	177,22	13,7	23,8	19,4	40	7,6	941	1,9	185,72	13,7	23,8	19,3	40																																																																																																																																																														
29	246	4,3	48,56	8,9	12	10,6	12,2	SK 43 - 80 LP/4	70,2	C85																																																																																																																																																																																																																																																																																																																																																																																																																			
24	295	4,0	58,27	9,3	12	10,5	12,8																																																																																																																																																																																																																																																																																																																																																																																																																						
20	355	3,6	70,12	9,8	12	10,2	13,3																																																																																																																																																																																																																																																																																																																																																																																																																						
18	405	3,0	79,96	10,1	12	10	13,7																																																																																																																																																																																																																																																																																																																																																																																																																						
15	480	2,6	94,96	10,5	12	9,6	14,1																																																																																																																																																																																																																																																																																																																																																																																																																						
13	543	2,1	107,51	10,7	12	9,3	14,3																																																																																																																																																																																																																																																																																																																																																																																																																						
11	654	1,9	129,38	3,5	12	8,6	14,8																																																																																																																																																																																																																																																																																																																																																																																																																						
10	717	1,5	141,55	0	12	8,1	14,8																																																																																																																																																																																																																																																																																																																																																																																																																						
8,3	860	1,4	169,86	0	12	5,1	15,2																																																																																																																																																																																																																																																																																																																																																																																																																						
7,7	926	1,1	182,76	0	12	0	15,1																																																																																																																																																																																																																																																																																																																																																																																																																						
6,9	1035	1,2	204,42	0	12	0	15,5																																																																																																																																																																																																																																																																																																																																																																																																																						
6,5	1110	1,1	219,32	0	12	0	15,5																																																																																																																																																																																																																																																																																																																																																																																																																						
6,1	1171	1,0	231,43	0	12	0	15,5																																																																																																																																																																																																																																																																																																																																																																																																																						
5,4	1336	0,9	263,93	0	12	0	15,6																																																																																																																																																																																																																																																																																																																																																																																																																						
5,1	1410	0,9	278,51	0	12	0	15,6																																																																																																																																																																																																																																																																																																																																																																																																																						
14	469	3,9	97,80	14,1	23,8	19,7	40	SK 52/12 - 80 LP/4	94,2	C98																																																																																																																																																																																																																																																																																																																																																																																																																			
11	597	3,1	124,38	14	23,8	19,6	40																																																																																																																																																																																																																																																																																																																																																																																																																						
9,7	700	2,6	146,03	13,9	23,8	19,5	40																																																																																																																																																																																																																																																																																																																																																																																																																						
7,3	933	2,0	194,62	13,7	23,8	19,3	40																																																																																																																																																																																																																																																																																																																																																																																																																						
6,4	1054	1,7	219,56	13,5	23,8	19,2	40																																																																																																																																																																																																																																																																																																																																																																																																																						
5	1357	1,3	283,13	13	23,8	18,9	40																																																																																																																																																																																																																																																																																																																																																																																																																						
4	1698	1,1	354,06	12,2	23,8	18,3	40				18	403	4,6	79,69	14,2	23,8	19,7	40	SK 53 - 80 LP/4	103,2	C87	15	483	4,6	95,49	14,1	23,8	19,6	40	13	535	4,2	105,87	14,1	23,8	19,6	40	10	706	3,2	139,34	13,9	23,8	19,5	40	8	898	2,1	177,22	13,7	23,8	19,4	40	7,6	941	1,9	185,72	13,7	23,8	19,3	40																																																																																																																																																																																																																																																																																																																																																																
18	403	4,6	79,69	14,2	23,8	19,7	40	SK 53 - 80 LP/4	103,2	C87																																																																																																																																																																																																																																																																																																																																																																																																																			
15	483	4,6	95,49	14,1	23,8	19,6	40																																																																																																																																																																																																																																																																																																																																																																																																																						
13	535	4,2	105,87	14,1	23,8	19,6	40																																																																																																																																																																																																																																																																																																																																																																																																																						
10	706	3,2	139,34	13,9	23,8	19,5	40																																																																																																																																																																																																																																																																																																																																																																																																																						
8	898	2,1	177,22	13,7	23,8	19,4	40																																																																																																																																																																																																																																																																																																																																																																																																																						
7,6	941	1,9	185,72	13,7	23,8	19,3	40																																																																																																																																																																																																																																																																																																																																																																																																																						

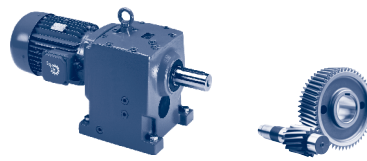
UNICASE™
Helical gear units

0,75 kW
1,10 kW



UNICASE™
Helical gear units

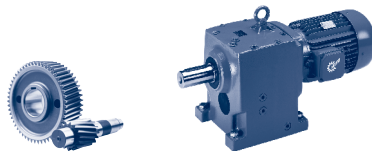
P_1 [kW]	n_2 [r/min]	M_2 [Nm]	f_B	i_{total}	F_R [kN]	F_A	$F_{R VL}$ [kN]	$F_{A VL}$	Type	kg	mm			
0,75	6	1198	1,6	236,21	13,3	23,8	19,1	40	SK 53 - 80 LP/4	103,2	C87			
	5,8	1244	1,5	245,56	13,2	23,8	19	40						
	4,8	1489	1,5	294,26	12,7	23,8	18,7	40						
	3,8	1895	1,0	374,25	11,6	23,8	18	40						
	3,6	1986	0,9	392,20	11,3	23,8	17,8	40						
	9,2	736	4,4	153,31	16	28,4	23,7	45	SK 63/22 - 80 LP/4	158,2	C98			
	8,2	830	3,9	172,85	15,7	29,3	23,4	45						
	6,3	1079	3,0	224,97	14,7	31,2	22,5	45						
	5	1356	2,4	282,73	13,6	32,8	21,6	45						
	3,8	1763	1,8	368,29	11,8	34,7	20	45						
	3,3	2061	1,6	430,19	10,3	35,7	18,8	45						
	2,6	2656	1,2	552,45	6,8	37,4	16,1	45						
	1,9	3487	0,9	727,45	0,1	38,9	11,7	45						
	5,1	1342	3,7	279,33	24,2	30	35,1	50	SK 73/22 - 80 LP/4	239,2	C98			
	4,1	1661	3,0	345,90	22,8	31,5	33,9	50						
	3,1	2192	2,3	457,68	20,3	33,3	31,9	50						
	2,5	2714	1,8	566,77	17,6	34,6	29,8	50						
	1,9	3528	1,4	737,61	12,9	36,1	26,2	50						
	1,6	4247	1,2	888,16	8	37	22,7	50						
	1,3	5258	1,0	1099,84	0	37,8	17,1	50						
	1,1	6001	0,8	1254,07	0	38,1	12,5	50						
	2	3463	2,3	724,73	32	65	50,2	65	SK 83/32 - 80 LP/4	357,2	C98			
	1,6	4300	1,9	900,50	28,8	65	47,5	65						
	1,2	5520	1,4	1155,49	23,7	65	43,2	65						
	0,8	8065	1,0	1687,12	10,6	65	33,1	65						
	0,7	9770	0,8	2045,46	0	65	25,2	65						
0,6	10537	1,2	2204,72	13,2	80	43,5	80	SK 93/43 - 80 LP/4	566,2	C99				
0,5	13008	0,9	2713,63	0	80	31,2	80							
1,10	482	21,8	2,1	2,95	1,4	2,6	2,1	2,9	SK 02 - 90 SP/4	23,1	C76			
	421	24,9	2,0	3,38	1,5	2,7	2,1	3,0						
	367	28,6	1,9	3,89	1,5	2,8	2,2	3,1						
	337	31,1	1,7	4,22	1,6	2,9	2,3	3,2						
	297	35,4	1,6	4,82	1,6	2,9	2,3	3,3						
	257	40,9	1,4	5,57	1,7	3,1	2,4	3,4						
	234	44,9	1,3	6,10	1,7	3,2	2,5	3,6						
	208	50,6	1,2	6,89	1,7	3,2	2,5	3,6						
	183	57,3	1,1	7,80	1,6	3,2	2,5	3,7						
	174	60,2	1,0	8,19	1,7	3,3	2,6	3,7						
	154	68,1	1,0	9,28	1,5	3,3	2,6	3,8						
	144	73	0,9	9,95	1,4	3,3	2,7	3,9						
	127	82,6	0,8	11,27	1,2	3,3	2,7	3,9						
	2,2	4720	4,2	642,31	70,8	120	106,3	120				SK 103/52 - 90 SP/4	804,1	C99
	1,7	6007	3,3	816,55	67,4	120	103,3	120						
	1,5	6934	2,9	943,57	64,8	120	101,0	120						
	1,2	8429	2,4	1148,61	60,2	120	97,1	120						
	1,0	10384	1,9	1412,72	53,4	120	91,5	120						
	0,5	19977	1,0	2722,11	0	120	55,4	120	SK 103/53 - 90 SP/4	823,1	C99			



P_1 [kW]	n_2 [r/min]	M_2 [Nm]	f_B	i_{total}	F_R [kN]	F_A	$F_{R VL}$ [kN]	$F_{A VL}$	Type	kg	mm C
1,10	483	21,8	4,8	2,96	1,6	2,9	5,1	3,8	SK 12 - 90 SP/4	25,1	C78
	422	24,9	4,4	3,39	1,7	3,1	5,1	3,9			
	360	29,2	3,9	3,98	1,7	3,2	5,1	4,1			
	332	31,6	3,5	4,32	1,8	3,3	5,1	4,2			
	318	33,0	3,6	4,49	1,8	3,3	5,1	4,2			
	290	36,2	3,2	4,93	1,8	3,4	5,1	4,3			
	247	42,5	2,9	5,79	1,9	3,6	5,1	4,5			
	219	48,0	2,6	6,53	2,0	3,7	5,1	4,6			
	196	53,5	2,3	7,28	2,0	3,8	5,1	4,8			
	182	57,7	2,3	7,85	2,1	3,8	5	4,8			
	167	62,8	2,1	8,56	2,1	3,9	5	4,9			
	148	70,9	1,9	9,65	2,2	3,9	5	5,1			
	134	78,5	1,7	10,70	2,2	3,9	5	5,2			
	107	98,4	1,5	13,39	2,0	3,9	5	5,4			
	85	123	1,3	16,73	1,6	3,9	4,9	5,6			
	76	138	1,2	18,79	1,2	3,9	4,9	5,7			
	67	156	1,1	21,28	0,8	3,9	4,8	5,8			
	359	29,3	4,7	3,97	2,6	4,7	7,5	5,3	SK 22 - 90 SP/4	34,1	C80
	308	34,1	4,4	4,62	2,7	4,9	7,5	5,5			
	276	38,1	4,2	5,18	2,8	5,1	7,5	5,6			
	220	47,8	4,8	6,51	3,0	5,5	7,5	6,0			
	189	55,6	4,4	7,57	3,2	5,6	7,5	6,2			
	169	62,2	4,2	8,48	3,3	5,6	7,5	6,4			
	131	80,1	4,0	10,89	3,5	5,6	7,4	6,8			
	117	89,5	3,7	12,20	3,6	5,6	7,4	7,0			
	97	108	3,1	14,69	3,8	5,6	7,4	7,4			
	85	123	2,8	16,75	3,9	5,6	7,4	7,6			
	72	147	1,9	20,03	4,0	5,6	7,4	7,7			
	60	175	1,9	23,74	4,1	5,6	7,3	8,0			
	58	181	1,4	24,73	4,0	5,6	7,3	8,0			
	50	212	1,8	28,80	4,0	5,6	7,2	8,3			
	49	216	1,4	29,31	3,6	5,6	7,2	8,3			
	41	255	1,3	34,69	3,4	5,6	7,1	8,6			
	40	261	1,3	35,55	2,9	5,6	7,1	8,6			
33	314	1,1	42,82	2,1	5,6	6,9	8,9				
31	337	0,9	45,90	1,2	5,6	6,8	8,9				
	95	110	4,6	15,03	4,6	9	9,4	9,3	SK 32 - 90 SP/4	45,1	C82
	86	122	4,3	16,66	4,7	9	9,4	9,5			
	77	137	4,6	18,67	4,9	9	9,4	9,8			
	69	152	4,3	20,70	5,0	9	9,4	10,1			
	62	170	3,7	23,12	5,1	9	9,4	10,3			
	54	195	2,2	26,57	5,2	9	9,4	10,5			
	52	200	3,0	27,24	5,3	9	9,4	10,7			
	47	224	2,9	30,43	5,5	9	9,4	11,0			
	46	229	2,2	31,16	5,4	9	9,4	10,9			
	43	242	1,6	33,05	5,5	9	9,4	11,0			
	38	273	2,2	37,23	5,7	9	9,3	11,4			
	37	285	1,6	38,76	5,7	9	9,3	11,4			
	31	340	2,0	46,25	5,9	9	9,3	11,9			
	31	340	1,6	46,31	5,9	9	9,3	11,8			
	25	422	1,5	57,53	6,2	9	9,2	12,3			
	22	472	1,4	64,26	6,3	9	9,1	12,6			
	20	534	1,0	72,76	6,2	9	9,0	12,8			
18	597	0,9	81,27	6,1	9	8,9	13,0				
16	649	0,8	88,18		0,2	9	8,8	12,7	SK 33N - 90 SP/4	54,1	C83

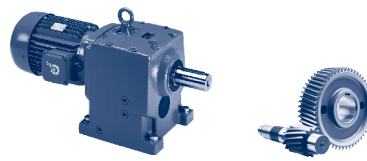
UNICASE™
Helical gear units

1,10 kW



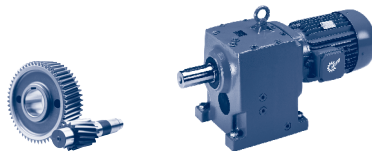
UNICASE™
Helical gear units

P_1 [kW]	n_2 [r/min]	M_2 [Nm]	f_B	i_{total}	F_R [kN]	F_A	$F_{R VL}$ [kN]	$F_{A VL}$	Type	kg	mm
1,10	58	181	4,9	24,67	7,2	12	10,9	10,1	SK 42 - 90 SP/4	60,1	C84
	47	224	4,8	30,46	7,6	12	10,7	10,7			
	24	445	2,3	60,66	8,9	12	9,8	12,2			
	19	550	2,0	74,87	9,3	12	9,3	12,7			
	17	625	1,3	85,10	6,7	12	8,8	12,8			
	14	772	1,1	105,08	0	12	7,8	13,2			
	16	645	1,9	87,73	4,3	12	8,7	12,8	SK 42/12 - 90 SP/4	70,1	C98
	12	854	1,4	116,20	0	12	6	13,1			
	10	1032	1,2	140,40	0	12	0	13,1			
	8,5	1242	1,0	169,00	0	12	0	13,2			
	35	301	3,5	40,98	8,1	12	10,4	11,3	SK 43 - 90 SP/4	75,1	C85
	29	357	2,9	48,56	8,4	12	10,2	11,6			
	25	428	2,7	58,27	8,8	12	9,9	12			
	20	515	2,4	70,12	9,1	12	9,5	12,4			
18	588	2,1	79,96	9,3	12	9,0	12,7				
15	697	1,8	94,96	0	12	8,3	12,9				
13	789	1,4	107,51	0	12	7,6	13				
11	950	1,3	129,38	0	12	0	13,2				
10	1040	1,0	141,55	0	12	0	12,9				
8,4	1247	0,9	169,86	0	12	0	13,1				
7,0	1502	0,9	204,42	0	12	0	13				
20	525	3,0	71,39	14,1	23,8	19,6	40	SK 52 - 90 SP/4	89,1	C86	
18	577	2,8	78,56	14,0	23,8	19,6	40				
16	638	2,7	86,92	14,0	23,8	19,6	40				
15	719	2,5	97,80	13,9	23,8	19,5	40	SK 52/12 - 90 SP/4	99,1	C98	
11	915	2,0	124,38	13,7	23,8	19,4	40				
9,8	1073	1,7	146,03	13,5	23,8	19,2	40				
7,3	1430	1,3	194,62	12,8	23,8	18,8	40				
6,5	1615	1,1	219,56	12,4	23,8	18,5	40				
5,1	2080	0,9	283,13	11,0	23,8	17,6	40				
24	433	4,4	58,94	14,1	23,8	19,7	40	SK 53 - 90 SP/4	108,1	C87	
22	480	4,0	65,35	14,1	23,8	19,6	40				
18	585	3,2	79,69	14,0	23,8	19,6	40				
15	701	3,2	95,49	13,9	23,8	19,5	40				
14	777	2,9	105,87	13,9	23,8	19,5	40				
10	1024	2,2	139,34	13,6	23,8	19,2	40				
8,1	1303	1,5	177,22	13,1	23,8	18,9	40				
7,7	1366	1,3	185,72	13,0	23,8	18,8	40				
6,0	1738	1,1	236,21	12,1	23,8	18,3	40				
5,8	1805	1,0	245,56	11,9	23,8	18,1	40				
4,9	2161	1,0	294,26	10,7	23,8	17,4	40				
16	641	5,0	87,06	16,3	23,8	24,0	45				SK 63 - 90 SP/4
13	794	4,6	107,89	15,8	25,1	23,5	45				
6,7	1575	2,3	214,10	12,7	29,2	20,8	45				
5,4	1951	1,9	265,32	10,8	30,4	19,3	45				
4,8	2210	1,4	300,34	9,4	31,0	18,2	45				
3,8	2738	1,2	372,21	6,2	32,0	15,7	45				
9,3	1128	2,8	153,31	14,6	27,2	22,4	45	SK 63/22 - 90 SP/4	163,1	C98	
8,3	1273	2,5	172,85	14,0	27,9	21,9	45				
6,3	1654	1,9	224,97	12,3	29,5	20,5	45				



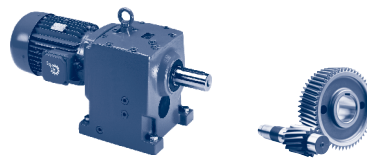
P_1 [kW]	n_2 [r/min]	M_2 [Nm]	f_B	i_{total}	F_R [kN]	F_A [kN]	$F_{R VL}$ [kN]	$F_{A VL}$ [kN]	Type	kg	mm
1,10	5,1	2079	1,5	282,73	10,2	30,7	18,7	45	SK 63/22 - 90 SP/4	163,1	C98
	3,9	2702	1,2	368,29	6,5	32	15,9	45			
	3,3	3160	1,0	430,19	3,1	32,6	13,5	45			
	5,1	2057	2,4	279,33	21,0	28,3	32,5	50	SK 73/22 - 90 SP/4	244,1	C98
	4,1	2547	2,0	345,90	18,5	29,3	30,5	50			
	3,1	3361	1,5	457,68	13,9	30,5	27,0	50			
	2,5	4161	1,2	566,77	8,6	31,2	23,1	50			
	1,9	5409	0,9	737,61	0	31,7	16,2	50			
	10	1037	4,8	141,11	25,5	24,5	36,1	50	SK 73/32 - 90 SP/4	255,1	C98
	8,4	1257	4,0	171,23	24,6	25,6	35,4	50			
	6,3	1663	3,0	226,73	22,8	27,1	33,9	50			
	2,0	5308	1,5	724,73	24,6	62,2	44	65	SK 83/32 - 90 SP/4	362,1	C98
	1,6	6592	1,2	900,50	18,6	64,4	39,2	65			
	1,2	8462	0,9	1155,49	8,2	65	31,4	65			
	6,1	1734	4,6	235,92	37,8	48,7	55,3	65	SK 83/42 - 90 SP/4	377,1	C99
	5,2	2027	3,9	275,58	36,9	50,6	54,5	65			
	3,8	2751	2,9	374,99	34,5	54,4	52,4	65			
	3,3	3217	2,5	437,84	32,9	56,3	51,0	65			
	2,7	3857	2,1	525,40	30,5	58,5	49,0	65			
	4,3	2445	5,0	333,02	50,0	80	71,7	80	SK 93/42 - 90 SP/4	556,1	C99
	3,1	3356	3,6	457,30	47,2	80	69,3	80			
	2,6	4025	3,0	548,76	45,0	80	67,4	80			
	1,9	5559	2,2	756,82	39,3	80	62,7	80			
	1,8	5964	2,0	813,46	37,6	80	61,3	80			
1,3	8014	1,5	1091,47	28,2	80	54,0	80				
1,1	9543	1,3	1298,54	19,7	80	47,9	80				
1,50	477	30	1,5	2,95	1,4	2,4	2	2,8	SK 02 - 90 LP/4	24,7	C76
	417	34,3	1,5	3,38	1,4	2,5	2	2,9			
	363	39,4	1,3	3,89	1,4	2,6	2	3,0			
	334	42,9	1,2	4,22	1,5	2,7	2,1	3,1			
	293	48,8	1,2	4,82	1,2	2,7	2,1	3,1			
	254	56,4	1,0	5,57	1,2	2,8	2,2	3,2			
	231	61,9	0,9	6,10	1,3	2,9	2,3	3,3			
	205	69,8	0,9	6,89	0,7	2,8	2,2	3,3			
	3	4739	4,2	467,81	70,8	120	106,3	120			
	2,2	6505	3,1	642,31	66,0	120	102,1	120			
	1,7	8279	2,4	816,55	60,7	120	97,5	120			
	1,5	9556	2,1	943,57	56,4	120	93,9	120			
	1,2	11616	1,7	1148,61	48,7	120	87,7	120			
	1,0	14310	1,4	1412,72	36,8	120	78,6	120			
	478	30	3,5	2,96	1,6	2,8	5,1	3,7	SK 12 - 90 LP/4	26,7	C78
	417	34,3	3,2	3,39	1,6	2,9	5,1	3,8			
	356	40,3	2,8	3,98	1,7	3,1	5,1	4,0			
	328	43,6	2,6	4,32	1,7	3,2	5,1	4,1			
	315	45,5	2,6	4,49	1,7	3,1	5,1	4,1			
	287	49,9	2,3	4,93	1,8	3,3	5,1	4,2			
	245	58,6	2,1	5,79	1,8	3,4	5,0	4,3			
	217	66,1	1,9	6,53	1,8	3,4	5,0	4,4			


1,50 kW



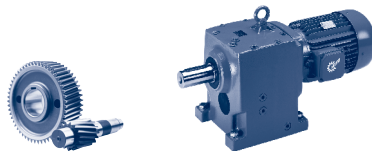
UNICASE™
Helical gear units

P_1 [kW]	n_2 [r/min]	M_2 [Nm]	f_B	i_{total}	F_R [kN]	F_A	$F_{R VL}$ [kN]	$F_{A VL}$	Type	kg	mm
1,50	194	73,8	1,7	7,28	1,9	3,5	5	4,6	SK 12 - 90 LP/4	26,7	C78
	180	79,5	1,6	7,85	1,7	3,5	5	4,6			
	166	86,5	1,5	8,56	1,6	3,6	5	4,7			
	147	97,7	1,4	9,65	1,4	3,7	5	4,8			
	132	108	1,2	10,70	1,3	3,7	5	4,9			
	106	136	1,1	13,39	0,4	3,7	4,9	5			
	85	169	0,9	16,73	0	3,8	4,8	5,2			
	75	190	0,8	18,79	0	3,7	4,7	5,2			
	506	28,3	4,1	2,79	2,3	3,9	7,5	4,7	SK 22 - 90 LP/4	35,7	C80
	401	35,8	3,7	3,53	2,5	4,3	7,5	5			
	355	40,3	3,4	3,97	2,6	4,6	7,5	5,2			
	305	46,9	3,2	4,62	2,7	4,8	7,5	5,4			
	273	52,4	3,0	5,18	2,7	4,9	7,5	5,5			
	245	58,4	3,7	5,79	2,9	5,1	7,5	5,7			
	217	65,9	3,5	6,51	2,9	5,3	7,5	5,9			
	206	69,4	3,7	6,86	3	5,3	7,5	6			
	187	76,7	3,2	7,57	3,1	5,4	7,5	6,1			
	167	85,7	3,0	8,48	3,1	5,6	7,4	6,2			
	130	110	2,9	10,89	3,3	5,6	7,4	6,6			
	116	123	2,7	12,20	3,4	5,6	7,4	6,8			
	96	149	2,3	14,69	3,6	5,6	7,4	7,1			
	85	169	2,0	16,75	3,6	5,6	7,3	7,2			
	71	202	1,4	20,03	2,4	5,6	7,3	7,3			
	60	241	1,4	23,74	1,8	5,6	7,2	7,5			
	57	250	1,0	24,73	1,2	5,6	7,1	7,5			
	49	292	1,3	28,80	0,9	5,6	7	7,7			
	48	297	1,0	29,31	0,4	5,6	7	7,7			
	41	351	1,0	34,69	0	5,6	6,8	7,9			
	40	360	0,9	35,55	0	5,6	6,7	7,9			
	97	147	4,6	14,55	4,4	9	9,4	9	SK 32 - 90 LP/4	46,7	C82
	94	152	3,3	15,03	4,4	9	9,4	9			
	87	164	3,9	16,25	4,5	9	9,4	9,3			
	85	168	3,1	16,66	4,5	9	9,4	9,2			
	76	189	3,3	18,67	4,7	9	9,4	9,5			
	68	209	3,1	20,70	4,8	9	9,4	9,7			
	61	234	2,7	23,12	4,9	9	9,4	10			
	53	269	1,6	26,57	4,9	9	9,3	10			
	52	276	2,2	27,24	5	9	9,3	10,3			
	46	308	2,1	30,43	5,2	9	9,3	10,5			
	45	315	1,6	31,16	5,1	9	9,3	10,4			
	43	334	1,1	33,05	5,1	9	9,3	10,4			
	38	377	1,6	37,23	5,2	9	9,2	10,7			
	37	392	1,1	38,76	5,2	9	9,2	10,7			
	31	468	1,4	46,25	5,4	9	9,1	11,2			
	31	469	1,1	46,31	5,4	9	9,1	11			
	25	582	1,1	57,53	5,5	9	8,9	11,4			
	22	650	1,0	64,26	2,3	9	8,8	11,6			
	65	221	5,0	21,87	6,7	12	10,7	9,6	SK 42 - 90 LP/4	61,7	C84
	57	250	3,6	24,67	6,9	12	10,6	9,8			
	46	308	3,5	30,46	7,3	12	10,4	10,3			
	23	614	1,6	60,66	7,6	12	8,9	11,4			
	19	758	1,4	74,87	0	12	7,9	11,7			
	17	861	0,9	85,10	0	12	6,1	11,7			
	13	1064	0,8	105,08	0	12	0	11,8			



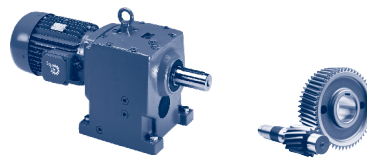
P_1 [kW]	n_2 [r/min]	M_2 [Nm]	f_B	i_{total}	F_R [kN]	F_A [kN]	$F_{R VL}$ [kN]	$F_{A VL}$ [kN]	Type	kg	mm 
1,50	16	889	1,4	87,73	0	12	3,7	11,6	SK 42/12 - 90 LP/4	71,7	C98
	12	1177	1,0	116,20	0	12	0	11,5			
	10	1422	0,8	140,40	0	12	0	11,1			
	35	414	2,5	40,98	7,7	12	10	10,7	SK 43 - 90 LP/4	76,7	C85
	29	491	2,1	48,56	7,9	12	9,5	10,9			
	24	589	2,0	58,27	8,2	12	9	11,2			
	20	710	1,8	70,12	0	12	8,2	11,5			
	18	810	1,5	79,96	0	12	7,4	11,6			
	15	961	1,3	94,96	0	12	0	11,6			
	13	1087	1,0	107,51	0	12	0	11,5			
	11	1309	0,9	129,38	0	12	0	11,4			
	43	329	3,8	32,56	14,2	23,8	19,7	39,9	SK 52 - 90 LP/4	90,7	C86
	39	364	3,8	36,03	14,2	23,8	19,7	40			
	20	723	2,2	71,39	13,9	23,8	19,5	40			
	18	795	2,0	78,56	13,8	23,8	19,5	40			
	16	879	2,0	86,92	13,7	23,8	19,4	40			
	14	990	1,8	97,80	13,6	23,8	19,3	40	SK 52/12 - 90 LP/4	100,7	C98
	11	1260	1,5	124,38	13,2	23,8	19	40			
	9,7	1478	1,2	146,03	12,7	23,8	18,7	40			
	7,3	1971	0,9	194,62	11,4	23,8	17,8	40			
	6,4	2226	0,8	219,56	10,5	23,8	17,2	40			
	24	596	3,2	58,94	14	23,8	19,6	40	SK 53 - 90 LP/4	109,7	C87
	22	661	2,9	65,35	14	23,8	19,5	40			
	18	807	2,3	79,69	13,8	23,8	19,4	40			
	15	966	2,3	95,49	13,6	23,8	19,3	40			
	13	1071	2,1	105,87	13,5	23,8	19,2	40			
	10	1411	1,6	139,34	12,9	23,8	18,8	40			
	8	1796	1,1	177,22	11,9	23,8	18,1	40			
	7,6	1882	1,0	185,72	11,7	23,8	18	40			
	6	2395	0,8	236,21	9,7	23,8	16,8	40			
	18	784	4,7	77,46	15,8	22,6	23,5	45	SK 63 - 90 LP/4	145,7	C88
	16	883	3,6	87,06	15,5	23,2	23,2	45			
	13	1094	3,3	107,89	14,7	24,4	22,5	45			
	6,6	2170	1,7	214,10	9,7	27,6	18,3	45			
	5,3	2688	1,4	265,32	6,5	28,4	15,9	45			
	4,7	3046	1,1	300,34	4	28,8	14,1	45			
	3,8	3773	0,8	372,21	0	29,3	9,9	45			
	9,2	1554	2,1	153,31	12,7	26,1	20,8	45	SK 63/22 - 90 LP/4	164,7	C98
	8,2	1754	1,8	172,85	11,8	26,7	20,1	45			
	6,3	2280	1,4	224,97	9,1	27,8	17,9	45			
	5	2865	1,1	282,73	5,3	28,6	15,1	45			
	3,8	3724	0,9	368,29	0	29,2	10,2	45			
	5,1	2835	1,8	279,33	17	26,6	29,3	50	SK 73/22 - 90 LP/4	245,7	C103
	4,1	3510	1,4	345,9	13	27,2	26,3	50			
	3,1	4631	1,1	457,68	5	27,7	20,6	50			
	2,5	5734	0,9	566,77	0	27,7	14,2	50			
	11	1262	4,0	124,65	24,5	23,1	35,4	50	SK 73/32 - 90 LP/4	256,7	C98
	10	1429	3,5	141,11	23,8	23,7	34,8	50			
	8,3	1732	2,9	171,23	22,5	24,6	33,7	50			
	6,3	2292	2,2	226,73	19,8	25,8	31,5	50			

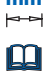
1,50 kW
2,20 kW



UNICASE™
Helical gear units

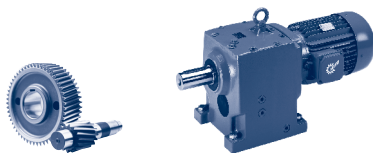
P_1 [kW]	n_2 [r/min]	M_2 [Nm]	f_B	i_{total}	F_R [kN]	F_A	$F_{R VL}$ [kN]	$F_{A VL}$	Type	kg	mm																																																																																																																																																																																																																																																																																																																																																																																																																								
1,50	2	7315	1,1	724,73	14,9	58,3	36,3	65	SK 83/32 - 90 LP/4	363,7	C98																																																																																																																																																																																																																																																																																																																																																																																																																								
	1,6	9085	0,9	900,50	4,1	59,5	28,5	65				7	2036	3,9	200,37	36,8	45,8	54,5	65	SK 83/42 - 90 LP/4	378,7	C99	6	2389	3,3	235,92	35,7	47,5	53,5	65	5,1	2794	2,9	275,58	34,4	49,2	52,3	65	3,8	3791	2,1	374,99	30,8	52,4	49,2	65	3,2	4433	1,8	437,84	28,3	54	47	65	2,7	5316	1,5	525,40	24,6	55,7	44	65	4,9	2915	4,2	287,83	48,6	80	70,5	80	SK 93/42 - 90 LP/4	557,7	C99	4,3	3370	3,6	333,02	47,2	80	69,3	80	3,1	4625	2,6	457,30	42,8	80	65,6	80	2,6	5546	2,2	548,76	39,3	80	62,7	80	1,9	7661	1,6	756,82	30	80	55,4	80	1,7	8219	1,5	813,46	27,1	80	53,2	80	1,3	11044	1,1	1091,47	9,5	80	41,2	80	1,1	13151	0,9	1298,54	0	80	30,4	80	2,20	494	42,5	1,1	2,95	0,9	2	1,8	2,5	SK 02 - 100 LP/4	36	C76	432	48,7	1,0	3,38	0,7	2,1	1,8	2,6	376	55,9	0,9	3,89	0,4	2,1	1,8	2,6	345	60,8	0,9	4,22	0,5	2,3	1,9	2,7	304	69,1	0,8	4,82	0	2,2	1,8	2,7	4,9	4253	4,7	296,69	72	118,1	107,4	120	SK 103/52 - 100 LP/4	817	C99	4,3	4892	4,1	340,13	70,4	120	105,9	120	3,1	6714	3,0	467,81	65,4	120	101,6	120	2,3	9215	2,2	642,31	57,6	120	94,9	120	1,8	11728	1,7	816,55	48,2	120	87,3	120	1,6	13537	1,5	943,57	40,5	120	81,3	120	1,3	16456	1,2	1148,61	25,4	120	70,6	120	1	20272	1,0	1412,72	0	120	54	120	0,9	24414	0,8	1701,72	0	120	31,6	120	495	42,5	2,5	2,96	1,4	2,5	5,1	3,5	SK 12 - 100 LP/4	38	C78	432	48,6	2,2	3,39	1,4	2,6	5,1	3,6	368	57	2,0	3,98	1,2	2,7	5	3,7	340	61,8	1,8	4,32	1,4	2,8	5	3,8	326	64,4	1,8	4,49	1	2,8	5	3,8	297	70,7	1,6	4,93	1,1	2,9	5	3,9	253	83	1,5	5,79	0,8	2,9	5	4	224	93,7	1,3	6,53	0,5	3	5	4,1	201	105	1,2	7,28	0,5	3,1	5	4,2	187	113	1,2	7,85	0,1	3	4,9	4,2	171	123	1,1	8,56	0	3,1	4,9	4,3	152	138	1,0	9,65	0	3	4,9	4,4	137	153	0,9	10,70	0	3,1	4,8	4,4	524	40,1	2,9	2,79	2,2	3,7	7,5	4,6	SK 22 - 100 LP/4	47	C80	415	50,6	2,6	3,53	2,4	4	7,5	4,8	368	57,2	2,4	3,97	2,4	4,2	7,5	4,9	316	66,5	2,3	4,62	2,5	4,4	7,5	5,1	283	74,3	2,1	5,18	2,6	4,5	7,5	5,2	254	82,7	2,6	5,79	2,7	4,8	7,4	5,4	225	93,4	2,4	6,51	2,7	4,9	7,4	5,6	214	98,3	2,6	6,86	2,8
	7	2036	3,9	200,37	36,8	45,8	54,5	65	SK 83/42 - 90 LP/4	378,7	C99																																																																																																																																																																																																																																																																																																																																																																																																																								
	6	2389	3,3	235,92	35,7	47,5	53,5	65																																																																																																																																																																																																																																																																																																																																																																																																																											
	5,1	2794	2,9	275,58	34,4	49,2	52,3	65																																																																																																																																																																																																																																																																																																																																																																																																																											
	3,8	3791	2,1	374,99	30,8	52,4	49,2	65																																																																																																																																																																																																																																																																																																																																																																																																																											
	3,2	4433	1,8	437,84	28,3	54	47	65																																																																																																																																																																																																																																																																																																																																																																																																																											
	2,7	5316	1,5	525,40	24,6	55,7	44	65				4,9	2915	4,2	287,83	48,6	80	70,5	80	SK 93/42 - 90 LP/4	557,7	C99	4,3	3370	3,6	333,02	47,2	80	69,3	80	3,1	4625	2,6	457,30	42,8	80	65,6	80	2,6	5546	2,2	548,76	39,3	80	62,7	80	1,9	7661	1,6	756,82	30	80	55,4	80	1,7	8219	1,5	813,46	27,1	80	53,2	80	1,3	11044	1,1	1091,47	9,5	80	41,2	80				1,1	13151	0,9	1298,54	0	80	30,4	80	2,20	494	42,5	1,1	2,95	0,9	2	1,8	2,5	SK 02 - 100 LP/4	36	C76	432	48,7	1,0	3,38	0,7	2,1	1,8	2,6	376	55,9	0,9	3,89	0,4	2,1	1,8	2,6	345	60,8	0,9	4,22	0,5	2,3	1,9	2,7	304	69,1	0,8	4,82	0	2,2	1,8	2,7	4,9	4253	4,7	296,69		72	118,1	107,4	120	SK 103/52 - 100 LP/4	817	C99	4,3	4892	4,1	340,13	70,4	120	105,9	120	3,1	6714	3,0	467,81	65,4	120	101,6	120	2,3	9215	2,2	642,31	57,6	120	94,9	120	1,8	11728	1,7	816,55	48,2	120	87,3	120	1,6	13537	1,5	943,57	40,5	120	81,3	120	1,3	16456	1,2	1148,61				25,4	120	70,6	120	1	20272	1,0	1412,72	0	120	54	120	0,9	24414	0,8	1701,72	0	120	31,6	120	495	42,5	2,5	2,96	1,4	2,5	5,1	3,5	SK 12 - 100 LP/4	38	C78	432	48,6	2,2	3,39	1,4	2,6	5,1	3,6	368	57	2,0	3,98	1,2	2,7	5	3,7	340	61,8	1,8	4,32	1,4	2,8	5	3,8	326	64,4	1,8	4,49	1	2,8	5	3,8	297	70,7	1,6	4,93	1,1	2,9	5	3,9	253				83	1,5	5,79	0,8	2,9	5	4	224	93,7	1,3	6,53	0,5	3	5	4,1	201	105	1,2	7,28	0,5	3,1	5	4,2	187	113	1,2	7,85	0,1	3	4,9	4,2	171	123	1,1	8,56	0	3,1	4,9	4,3	152	138	1,0	9,65	0	3	4,9	4,4	137	153	0,9	10,70	0	3,1	4,8	4,4	524	40,1	2,9	2,79	2,2	3,7	7,5	4,6	SK 22 - 100 LP/4	47	C80	415	50,6	2,6	3,53	2,4	4	7,5	4,8	368	57,2	2,4	3,97	2,4	4,2	7,5	4,9	316	66,5	2,3	4,62	2,5	4,4	7,5	5,1	283	74,3	2,1	5,18	2,6	4,5	7,5	5,2	254	82,7	2,6	5,79	2,7	4,8				7,4	5,4	225	93,4	2,4	6,51	2,7	4,9	7,4	5,6	214	98,3	2,6	6,86	2,8	4,9	7,4	5,7																																			
	4,9	2915	4,2	287,83	48,6	80	70,5	80	SK 93/42 - 90 LP/4	557,7	C99																																																																																																																																																																																																																																																																																																																																																																																																																								
	4,3	3370	3,6	333,02	47,2	80	69,3	80																																																																																																																																																																																																																																																																																																																																																																																																																											
	3,1	4625	2,6	457,30	42,8	80	65,6	80																																																																																																																																																																																																																																																																																																																																																																																																																											
	2,6	5546	2,2	548,76	39,3	80	62,7	80																																																																																																																																																																																																																																																																																																																																																																																																																											
	1,9	7661	1,6	756,82	30	80	55,4	80																																																																																																																																																																																																																																																																																																																																																																																																																											
	1,7	8219	1,5	813,46	27,1	80	53,2	80																																																																																																																																																																																																																																																																																																																																																																																																																											
	1,3	11044	1,1	1091,47	9,5	80	41,2	80																																																																																																																																																																																																																																																																																																																																																																																																																											
	1,1	13151	0,9	1298,54	0	80	30,4	80				2,20	494	42,5	1,1	2,95	0,9	2	1,8	2,5	SK 02 - 100 LP/4	36	C76	432	48,7	1,0	3,38	0,7	2,1	1,8	2,6	376	55,9	0,9	3,89	0,4	2,1	1,8	2,6	345	60,8	0,9	4,22	0,5	2,3	1,9	2,7	304	69,1	0,8	4,82	0	2,2	1,8	2,7	4,9	4253	4,7	296,69	72	118,1	107,4	120	SK 103/52 - 100 LP/4	817	C99	4,3	4892	4,1	340,13	70,4	120	105,9	120	3,1	6714	3,0	467,81	65,4	120	101,6		120	2,3	9215	2,2	642,31	57,6	120	94,9	120	1,8	11728	1,7	816,55	48,2	120	87,3	120	1,6	13537	1,5	943,57	40,5	120	81,3	120	1,3	16456	1,2	1148,61	25,4	120	70,6	120	1	20272	1,0	1412,72	0	120	54	120	0,9	24414	0,8	1701,72	0	120		31,6	120	495	42,5				2,5	2,96	1,4	2,5	5,1	3,5	SK 12 - 100 LP/4	38	C78	432	48,6	2,2	3,39	1,4	2,6	5,1	3,6	368	57	2,0	3,98	1,2	2,7	5	3,7	340	61,8	1,8	4,32	1,4	2,8	5	3,8	326	64,4	1,8	4,49	1	2,8	5	3,8	297	70,7	1,6	4,93	1,1	2,9	5	3,9	253	83	1,5	5,79	0,8	2,9	5	4	224	93,7	1,3	6,53	0,5	3	5	4,1	201	105	1,2	7,28	0,5	3,1	5	4,2	187	113				1,2	7,85	0,1	3	4,9	4,2	171	123	1,1	8,56	0	3,1	4,9	4,3	152	138	1,0	9,65	0	3	4,9	4,4	137	153	0,9	10,70	0	3,1	4,8	4,4	524	40,1	2,9	2,79	2,2	3,7	7,5	4,6	SK 22 - 100 LP/4	47	C80				415	50,6	2,6	3,53	2,4	4	7,5	4,8	368	57,2	2,4	3,97	2,4	4,2	7,5	4,9	316	66,5	2,3	4,62	2,5	4,4	7,5	5,1	283	74,3	2,1	5,18	2,6	4,5	7,5	5,2	254	82,7	2,6	5,79	2,7	4,8	7,4	5,4	225	93,4	2,4	6,51	2,7	4,9	7,4	5,6	214	98,3	2,6	6,86	2,8	4,9	7,4	5,7																																																																																																								
	2,20	494	42,5	1,1	2,95	0,9	2	1,8	2,5	SK 02 - 100 LP/4	36		C76																																																																																																																																																																																																																																																																																																																																																																																																																						
		432	48,7	1,0	3,38	0,7	2,1	1,8	2,6																																																																																																																																																																																																																																																																																																																																																																																																																										
376		55,9	0,9	3,89	0,4	2,1	1,8	2,6																																																																																																																																																																																																																																																																																																																																																																																																																											
345		60,8	0,9	4,22	0,5	2,3	1,9	2,7																																																																																																																																																																																																																																																																																																																																																																																																																											
304		69,1	0,8	4,82	0	2,2	1,8	2,7	4,9					4253	4,7	296,69	72	118,1	107,4	120	SK 103/52 - 100 LP/4	817	C99	4,3	4892	4,1	340,13	70,4	120	105,9	120	3,1	6714	3,0	467,81	65,4	120	101,6	120	2,3	9215	2,2	642,31	57,6	120	94,9	120	1,8	11728	1,7	816,55	48,2	120	87,3	120	1,6	13537	1,5	943,57	40,5	120	81,3	120				1,3	16456	1,2	1148,61	25,4	120	70,6	120	1	20272	1,0	1412,72	0	120	54		120	0,9	24414	0,8	1701,72	0	120	31,6	120	495	42,5	2,5	2,96	1,4	2,5	5,1	3,5	SK 12 - 100 LP/4	38	C78	432	48,6	2,2	3,39	1,4	2,6	5,1	3,6	368	57	2,0	3,98	1,2	2,7	5	3,7	340	61,8	1,8	4,32	1,4	2,8	5	3,8	326	64,4	1,8		4,49	1	2,8	5	3,8	297	70,7	1,6	4,93	1,1	2,9	5	3,9				253	83	1,5	5,79	0,8	2,9	5	4	224	93,7	1,3	6,53	0,5	3	5	4,1	201	105	1,2	7,28	0,5	3,1	5	4,2	187	113	1,2	7,85	0,1	3	4,9	4,2	171	123	1,1	8,56	0	3,1	4,9	4,3	152	138	1,0	9,65	0	3	4,9	4,4	137	153	0,9	10,70	0	3,1	4,8	4,4	524	40,1	2,9	2,79	2,2	3,7	7,5	4,6	SK 22 - 100 LP/4	47				C80	415	50,6	2,6	3,53	2,4	4	7,5	4,8	368	57,2	2,4	3,97	2,4	4,2	7,5	4,9	316	66,5	2,3	4,62	2,5	4,4	7,5	5,1	283	74,3	2,1	5,18	2,6	4,5	7,5	5,2	254	82,7	2,6	5,79	2,7				4,8	7,4	5,4	225	93,4	2,4	6,51	2,7	4,9	7,4	5,6	214	98,3	2,6	6,86	2,8	4,9	7,4	5,7																																																																																																																																																
4,9		4253	4,7	296,69	72	118,1	107,4	120	SK 103/52 - 100 LP/4	817	C99																																																																																																																																																																																																																																																																																																																																																																																																																								
4,3		4892	4,1	340,13	70,4	120	105,9	120																																																																																																																																																																																																																																																																																																																																																																																																																											
3,1		6714	3,0	467,81	65,4	120	101,6	120																																																																																																																																																																																																																																																																																																																																																																																																																											
2,3		9215	2,2	642,31	57,6	120	94,9	120																																																																																																																																																																																																																																																																																																																																																																																																																											
1,8		11728	1,7	816,55	48,2	120	87,3	120																																																																																																																																																																																																																																																																																																																																																																																																																											
1,6		13537	1,5	943,57	40,5	120	81,3	120																																																																																																																																																																																																																																																																																																																																																																																																																											
1,3		16456	1,2	1148,61	25,4	120	70,6	120																																																																																																																																																																																																																																																																																																																																																																																																																											
1		20272	1,0	1412,72	0	120	54	120																																																																																																																																																																																																																																																																																																																																																																																																																											
0,9		24414	0,8	1701,72	0	120	31,6	120					495	42,5	2,5	2,96	1,4	2,5	5,1	3,5				SK 12 - 100 LP/4	38	C78	432	48,6	2,2	3,39	1,4	2,6	5,1	3,6	368	57	2,0	3,98	1,2	2,7	5	3,7	340	61,8	1,8	4,32	1,4	2,8	5	3,8	326	64,4	1,8	4,49	1	2,8	5	3,8	297	70,7	1,6	4,93	1,1	2,9	5	3,9	253	83	1,5	5,79	0,8	2,9	5	4	224	93,7	1,3	6,53	0,5	3	5		4,1	201	105	1,2	7,28	0,5	3,1	5	4,2	187	113	1,2	7,85	0,1	3	4,9	4,2				171	123	1,1	8,56	0	3,1	4,9	4,3	152	138	1,0	9,65	0	3	4,9	4,4	137	153	0,9	10,70	0	3,1	4,8	4,4	524	40,1	2,9		2,79	2,2	3,7	7,5	4,6	SK 22 - 100 LP/4	47	C80	415	50,6	2,6	3,53	2,4				4	7,5	4,8	368	57,2	2,4	3,97	2,4	4,2	7,5	4,9	316	66,5	2,3	4,62	2,5	4,4	7,5	5,1	283	74,3	2,1	5,18	2,6	4,5	7,5	5,2	254	82,7	2,6	5,79	2,7	4,8	7,4	5,4	225	93,4	2,4	6,51	2,7	4,9	7,4	5,6	214	98,3	2,6	6,86	2,8	4,9	7,4	5,7																																																																																																																																																																																																																														
495		42,5	2,5	2,96	1,4	2,5	5,1	3,5					SK 12 - 100 LP/4	38	C78																																																																																																																																																																																																																																																																																																																																																																																																																				
432		48,6	2,2	3,39	1,4	2,6	5,1	3,6																																																																																																																																																																																																																																																																																																																																																																																																																											
368		57	2,0	3,98	1,2	2,7	5	3,7																																																																																																																																																																																																																																																																																																																																																																																																																											
340		61,8	1,8	4,32	1,4	2,8	5	3,8																																																																																																																																																																																																																																																																																																																																																																																																																											
326		64,4	1,8	4,49	1	2,8	5	3,8																																																																																																																																																																																																																																																																																																																																																																																																																											
297		70,7	1,6	4,93	1,1	2,9	5	3,9																																																																																																																																																																																																																																																																																																																																																																																																																											
253		83	1,5	5,79	0,8	2,9	5	4																																																																																																																																																																																																																																																																																																																																																																																																																											
224		93,7	1,3	6,53	0,5	3	5	4,1																																																																																																																																																																																																																																																																																																																																																																																																																											
201		105	1,2	7,28	0,5	3,1	5	4,2																																																																																																																																																																																																																																																																																																																																																																																																																											
187		113	1,2	7,85	0,1	3	4,9	4,2																																																																																																																																																																																																																																																																																																																																																																																																																											
171		123	1,1	8,56	0	3,1	4,9	4,3																																																																																																																																																																																																																																																																																																																																																																																																																											
152		138	1,0	9,65	0	3	4,9	4,4																																																																																																																																																																																																																																																																																																																																																																																																																											
137		153	0,9	10,70	0	3,1	4,8	4,4	524	40,1	2,9					2,79	2,2	3,7	7,5	4,6	SK 22 - 100 LP/4	47	C80				415	50,6	2,6	3,53	2,4	4	7,5	4,8	368	57,2	2,4	3,97	2,4	4,2	7,5	4,9	316	66,5	2,3	4,62	2,5	4,4	7,5	5,1	283	74,3	2,1	5,18	2,6	4,5	7,5	5,2	254	82,7	2,6	5,79	2,7	4,8	7,4	5,4	225	93,4	2,4	6,51	2,7	4,9	7,4	5,6	214	98,3	2,6	6,86	2,8	4,9	7,4	5,7																																																																																																																																																																																																																																																																																																																																																	
524		40,1	2,9	2,79	2,2	3,7	7,5	4,6	SK 22 - 100 LP/4	47	C80																																																																																																																																																																																																																																																																																																																																																																																																																								
415		50,6	2,6	3,53	2,4	4	7,5	4,8																																																																																																																																																																																																																																																																																																																																																																																																																											
368		57,2	2,4	3,97	2,4	4,2	7,5	4,9																																																																																																																																																																																																																																																																																																																																																																																																																											
316	66,5	2,3	4,62	2,5	4,4	7,5	5,1																																																																																																																																																																																																																																																																																																																																																																																																																												
283	74,3	2,1	5,18	2,6	4,5	7,5	5,2																																																																																																																																																																																																																																																																																																																																																																																																																												
254	82,7	2,6	5,79	2,7	4,8	7,4	5,4																																																																																																																																																																																																																																																																																																																																																																																																																												
225	93,4	2,4	6,51	2,7	4,9	7,4	5,6																																																																																																																																																																																																																																																																																																																																																																																																																												
214	98,3	2,6	6,86	2,8	4,9	7,4	5,7																																																																																																																																																																																																																																																																																																																																																																																																																												



P_1 [kW]	n_2 [r/min]	M_2 [Nm]	f_B	i_{total}	F_R [kN]	F_A	$F_{R VL}$ [kN]	$F_{A VL}$ [kN]	Type	kg	mm 
2,20	193	109	2,3	7,57	2,8	5	7,4	5,7	SK 22 - 100 LP/4	47	C80
	173	121	2,1	8,48	2,9	5,1	7,4	5,9			
	134	156	2,0	10,89	2,7	5,4	7,3	6,2			
	120	175	1,9	12,20	2,3	5,4	7,3	6,3			
	100	210	1,6	14,69	1,7	5,5	7,2	6,5			
	88	240	1,4	16,75	1,1	5,6	7,2	6,6			
	73	287	1,0	20,03	0	5,3	7	6,5			
	62	341	1,0	23,74	0	5,3	6,8	6,6			
51	413	0,9	28,80	0	5,2	6,5	6,7				
2,20	208	101	4,4	7,05	3,4	7,1	9,4	7,1	SK 32 - 100 LP/4	58	C82
	176	120	5,0	8,36	3,6	7,5	9,4	7,5			
	150	140	4,6	9,80	3,7	7,8	9,4	7,8			
	125	168	4,2	11,71	3,9	8,1	9,4	8,1			
	101	208	3,2	14,55	4,1	8,6	9,4	8,5			
	98	215	2,4	15,03	4,1	8,5	9,4	8,5			
	90	233	2,7	16,25	4,2	8,8	9,4	8,7			
	88	239	2,2	16,66	4,2	8,7	9,4	8,7			
	79	267	2,4	18,67	4,3	8,9	9,3	8,9			
	71	296	2,2	20,70	4,3	9	9,3	9,1			
	63	331	1,9	23,12	4,4	9	9,3	9,3			
	55	380	1,1	26,57	4,3	9	9,2	9,2			
	54	391	1,5	27,24	4,5	9	9,2	9,5			
	48	437	1,5	30,43	4,5	9	9,1	9,6			
	47	447	1,1	31,16	4,4	9	9,1	9,4			
39	534	1,1	37,23	3,9	9	9	9,6				
32	663	1,0	46,25	1	9	8,7	9,8				
2,20	83	254	4,7	17,71	6	12	10,6	8,6	SK 42 - 100 LP/4	73	C84
	67	313	3,5	21,87	6,3	12	10,4	9			
	60	350	2,5	24,41	6,3	12	10,2	9			
	59	354	2,5	24,67	6,4	12	10,2	9,2			
	50	420	2,4	29,29	6,6	12	9,9	9,3			
	48	437	2,5	30,46	6,7	12	9,9	9,5			
	42	506	2,4	35,25	6,8	12	9,5	9,6			
	35	592	2,0	41,29	7	12	9	9,8			
	29	731	1,5	50,98	0	12	8,1	10			
	24	870	1,2	60,66	0	12	5,6	9,9			
	20	1074	1,0	74,87	0	12	0	10			
17	1259	1,0	87,73	0	12	0	9,5				
2,20	36	587	1,8	40,98	6,9	12	9	9,7	SK 43 - 100 LP/4	88	C85
	30	696	1,5	48,56	0	12	8,3	9,6			
	25	835	1,4	58,27	0	12	6,7	9,8			
	21	1005	1,3	70,12	0	12	0	9,8			
	18	1147	1,1	79,96	0	12	0	9,6			
	15	1361	0,9	94,96	0	12	0	9,3			
2,20	55	379	5,0	26,46	14,2	23,8	19,7	36,9	SK 52 - 100 LP/4	102	C86
	46	461	3,0	32,09	14,1	23,8	19,7	38,7			
	45	467	2,7	32,56	14,1	23,8	19,7	39			
	41	516	2,7	36,03	14,1	23,8	19,6	40			
	38	552	3,0	38,45	14,1	23,8	19,6	40			
	30	702	2,7	48,90	13,9	23,8	19,5	40			
	27	771	2,5	53,81	13,9	23,8	19,5	40			
	25	853	2,2	59,54	13,8	23,8	19,4	40			

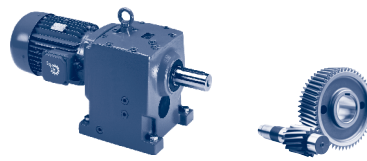
UNICASE™
Helical gear units

2,20 kW



UNICASE™
Helical gear units

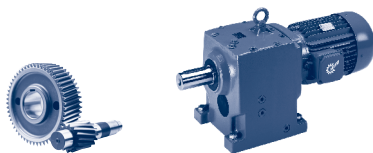
P_1 [kW]	n_2 [r/min]	M_2 [Nm]	f_B	i_{total}	F_R [kN]	F_A	$F_{R VL}$ [kN]	$F_{A VL}$	Type	kg	mm H B
2,20	20	1025	1,5	71,39	13,6	23,8	19,2	40	SK 52 - 100 LP/4	102	C86
	19	1126	1,4	78,56	13,4	23,8	19,1	40			
	17	1246	1,4	86,92	13,2	23,8	19	40			
	15	1403	1,3	97,80	12,9	23,8	18,8	40	SK 52/12 - 100 LP/4	112	C98
	12	1786	1,0	124,38	12	23,8	18,2	40			
	10	2094	0,9	146,03	11	23,8	17,5	40			
	25	845	2,3	58,94	13,8	23,8	19,4	40	SK 53 - 100 LP/4	121	C87
	22	936	2,1	65,35	13,7	23,8	19,3	40			
	18	1143	1,6	79,69	13,4	23,8	19,1	40			
	15	1368	1,6	95,49	13	23,8	18,8	40			
	14	1517	1,5	105,87	12,6	23,8	18,6	40			
	11	1999	1,1	139,34	11,3	23,8	17,7	40			
30	699	3,6	48,73	16,2	19,4	23,8	40,5	SK 62 - 100 LP/4	159	C88	
	27	772	4,8	53,82	15,9	19,9	23,6	41,5	SK 63 - 100 LP/4	157	C89
	23	903	4,1	62,87	15,4	20,6	23,1	43,1			
	19	1111	3,3	77,46	14,6	21,5	22,4	45			
	17	1251	2,6	87,06	14,1	22	22	45			
	14	1550	2,4	107,89	12,8	22,8	20,9	45			
	10	2094	1,8	145,71	10,1	23,9	18,7	45			
	8,1	2594	1,4	180,57	7,2	24,5	16,4	45			
	6,8	3075	1,2	214,10	3,8	24,8	14	45			
	5,5	3808	1,0	265,32	0	25	9,7	45			
	9,5	2202	1,5	153,31	9,5	24	18,2	45	SK 63/22 - 100 LP/4	176	C98
	8,5	2484	1,3	172,85	7,8	24,4	16,9	45			
	6,5	3230	1,0	224,97	2,5	24,8	13,1	45			
	20	1073	5,0	74,87	25,3	19,6	36	50	SK 73 - 100 LP/4	238	C91
	16	1310	4,1	91,38	24,3	20,4	35,2	50			
	15	1441	2,8	100,46	23,8	20,8	34,7	50			
	12	1784	2,8	124,41	22,3	21,6	33,5	50			
	8,8	2381	2,4	166,03	19,4	22,5	31,2	50			
	7,1	2948	1,8	205,61	16,3	23,1	28,8	50			
	5,2	4016	1,2	279,33	9,6	23,5	23,8	50	SK 73/22 - 100 LP/4	257	C98
	4,2	4973	1,0	345,90	2,2	23,5	18,8	50			
	12	1788	2,8	124,65	22,2	21,6	33,5	50	SK 73/32 - 100 LP/4	268	C98
	10	2024	2,5	141,11	21,1	22	32,6	50			
	8,6	2454	2,0	171,23	19	22,6	30,9	50			
	6,5	3246	1,5	226,73	14,6	23,3	27,5	50			
	11	1960	3,8	136,78	37,1	40	54,7	65	SK 83 - 100 LP/4	345	C93
	6,8	3105	2,9	216,61	33,3	44,2	51,3	65			
	12	1820	4,4	126,50	37,5	39,4	55,1	65	SK 83/42 - 100 LP/4	390	C99
	9,8	2137	3,7	148,94	36,5	40,8	54,2	65			
	7,3	2884	2,8	200,37	34	43,5	52	65			
	6,2	3385	2,4	235,92	32,3	44,9	50,5	65			
	5,3	3958	2,0	275,58	30,1	46,2	48,6	65			
	3,9	5370	1,5	374,99	24,4	48,5	43,8	65			
	3,3	6280	1,3	437,84	20,2	49,5	40,4	65			
	2,8	7530	1,1	525,40	13,7	50,4	35,4	65			



P_1 [kW]	n_2 [r/min]	M_2 [Nm]	f_B	i_{total}	F_R [kN]	F_A [kN]	$F_{R VL}$ [kN]	$F_{A VL}$ [kN]	Type	kg	mm C			
2,20	8	2610	4,7	181,16	49,5	70,4	71,3	80	SK 93/42 - 100 LP/4	569	C99			
	6,1	3451	3,5	239,74	46,9	75,5	69	80						
	5,1	4130	3,0	287,83	44,6	78,8	67,1	80						
	4,4	4774	2,6	333,02	42,3	80	65,2	80						
	3,2	6552	1,9	457,30	35,1	80	59,3	80						
	2,7	7857	1,6	548,76	29	80	54,6	80						
	1,9	10853	1,1	756,82	11	80	42,1	80						
	1,8	11644	1,0	813,46	4,7	80	38,3	80						
3,00	6	4801	4,2	244,77	70,6	110,4	106,1	120	SK 103/52 - 100 AP/4	817	C99			
	4,9	5819	3,4	296,69	68	115,8	103,8	120						
	4,3	6693	3,0	340,13	65,5	119,8	101,6	120						
	3,1	9187	2,2	467,81	57,7	120	95	120						
	2,3	12608	1,6	642,31	44,6	120	84,5	120						
	1,8	16047	1,2	816,55	27,8	120	72,2	120						
	1,5	18523	1,1	943,57	11,9	120	62	120						
	1,3	22517	0,9	1148,61	0	120	42,6	120						
	493	58,1	1,8	2,96	0,8	2,2	5	3,3				SK 12 - 100 AP/4	38	C78
	430	66,6	1,6	3,39	0,5	2,2	5	3,4						
	367	78	1,5	3,98	0,2	2,3	5	3,5						
	339	84,5	1,3	4,32	0,3	2,4	5	3,6						
	325	88,1	1,3	4,49	0	2,3	5	3,5						
296	96,8	1,2	4,93	0	2,4	5	3,7							
252	114	1,1	5,79	0	2,4	4,9	3,7							
223	128	1,0	6,53	0	2,4	4,9	3,7							
200	143	0,9	7,28	0	2,5	4,9	3,8							
186	154	0,9	7,85	0	2,4	4,8	3,8							
522	54,9	2,1	2,79	2,1	3,5	7,5	4,4	SK 22 - 100 AP/4	47	C80				
413	69,3	1,9	3,53	2,2	3,7	7,5	4,6							
366	78,2	1,8	3,97	2,3	3,9	7,5	4,8							
315	91	1,6	4,62	2,3	4	7,4	4,9							
282	102	1,6	5,18	2	4,2	7,4	5							
253	113	1,9	5,79	2,4	4,4	7,4	5,2							
224	128	1,8	6,51	2	4,5	7,4	5,3							
213	135	1,9	6,86	2,1	4,5	7,4	5,4							
193	149	1,7	7,57	1,6	4,5	7,4	5,4							
173	166	1,6	8,48	1,1	4,5	7,3	5,5							
134	214	1,5	10,89	0,5	4,7	7,2	5,7							
120	239	1,4	12,20	0	4,7	7,2	5,8							
100	288	1,2	14,69	0	4,7	7	5,9							
87	329	1,0	16,75	0	4,6	6,9	5,9							
266	108	4,2	5,50	3,1	6	9,4	6,5	SK 32 - 100 AP/4	58	C82				
217	132	4,6	6,74	3,2	6,6	9,4	6,9							
207	138	3,2	7,05	3,2	6,5	9,4	6,9							
185	155	4,2	7,90	3,4	7	9,4	7,2							
175	164	3,6	8,36	3,4	7,1	9,4	7,2							
149	192	3,4	9,80	3,5	7,3	9,4	7,5							
125	229	3,1	11,71	3,6	7,6	9,4	7,7							
101	285	2,4	14,55	3,8	7,9	9,3	8,1							
97	295	1,7	15,03	3,7	7,8	9,3	8							
90	319	2,0	16,25	3,8	8	9,3	8,2							
88	327	1,6	16,66	3,8	7,9	9,3	8,1							
78	366	1,7	18,67	3,9	8,1	9,2	8,3							
71	406	1,6	20,70	3,9	8,1	9,2	8,4							

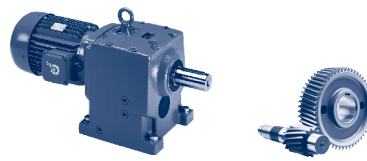
UNICASE™
Helical gear units

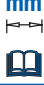
3,00 kW



UNICASE™
Helical gear units

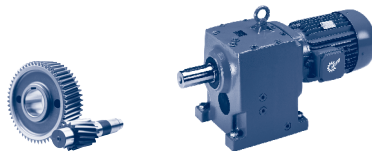
P_1 [kW]	n_2 [r/min]	M_2 [Nm]	f_B	i_{total}	F_R [kN]	F_A	$F_{R VL}$ [kN]	$F_{A VL}$ [kN]	Type	kg	mm C
3,00	63	453	1,4	23,12	3,9	8,1	9,1	8,6	SK 32 - 100 AP/4	58	C82
	54	535	1,1	27,24	2,8	8	9	8,6			
	48	597	1,1	30,43	2,1	8	8,9	8,7			
	119	241	5,0	12,28	5,2	10,5	10,7	7,6	SK 42 - 100 AP/4	73	C84
	102	282	4,1	14,38	5,4	10,9	10,5	7,9			
	97	296	4,2	15,12	5,5	10,9	10,5	7,9			
	83	347	3,4	17,71	5,6	11,3	10,3	8,2			
	67	429	2,6	21,87	5,9	11,8	9,9	8,5			
	60	479	1,8	24,41	5,8	11,6	9,6	8,3			
	59	484	1,8	24,67	5,9	11,9	9,6	8,5			
	50	575	1,8	29,29	6	11,9	9,1	8,5			
	48	598	1,8	30,46	6,1	12	9	8,7			
	41	692	1,8	35,25	0,2	12	8,4	8,6			
	35	810	1,5	41,29	0	12	7,5	8,7			
	29	1001	1,1	50,98	0	12	0	8,7			
	24	1190	0,8	60,66	0	11,7	0	8,3			
	36	803	1,3	40,98	0	12	7,5	8,6	SK 43 - 100 AP/4	88	C85
	30	953	1,1	48,56	0	11,5	0	8,2			
	25	1142	1,0	58,27	0	11,4	0	8,1			
	21	1376	0,9	70,12	0	11	0	7,8			
	75	384	5,0	19,60	13,9	23,8	19,7	33,6	SK 52 - 100 AP/4	102	C86
	67	425	4,5	21,68	14,1	23,8	19,7	34,6			
	61	469	4,1	23,92	14,1	23,8	19,7	35,5			
	55	519	3,6	26,46	14,1	23,8	19,6	36,5			
	45	630	2,2	32,09	14	23,8	19,6	38,1			
	45	639	2,0	32,56	14	23,8	19,6	38,5			
	41	706	2,0	36,03	13,9	23,8	19,5	39,5			
	38	755	2,2	38,45	13,9	23,8	19,5	40			
	30	961	2,0	48,90	13,6	23,8	19,3	40			
	27	1055	1,8	53,81	13,5	23,8	19,2	40			
	25	1168	1,6	59,54	13,3	23,8	19,1	40			
	20	1402	1,1	71,39	12,9	23,8	18,8	40			
	19	1541	1,0	78,56	12,6	23,8	18,6	40			
	17	1705	1,0	86,92	12,2	23,8	18,3	40			
	15	1920	1,0	97,80	11,6	23,8	17,9	40	SK 52/12 - 100 AP/4	112	C98
	25	1156	1,7	58,94	13,4	23,8	19,1	40	SK 53 - 100 AP/4	121	C87
	22	1281	1,5	65,35	13,1	23,8	19	40			
	18	1564	1,2	79,69	12,5	23,8	18,5	40			
	15	1872	1,2	95,49	11,7	23,8	18	40			
	14	2075	1,1	105,87	11	23,8	17,6	40			
	10	2736	0,8	139,34	7,5	23,8	15,8	40			
	30	957	2,6	48,73	15,3	18,8	23	39,6	SK 62 - 100 AP/4	159	C88
	34	853	4,3	43,43	15,6	18,3	23,3	38,5	SK 63 - 100 AP/4	157	C89
	29	997	3,7	50,73	15,1	18,9	22,8	40			
	27	1056	3,5	53,82	14,8	19,1	22,6	40,5			
	23	1235	3,0	62,87	14,1	19,7	22	42			
	19	1520	2,4	77,46	12,9	20,3	21	44			
	17	1712	1,9	87,06	12	20,7	20,2	45			
	14	2121	1,7	107,89	9,9	21,3	18,5	45			
	10	2865	1,3	145,71	5,3	21,8	15,1	45			
	8,1	3549	1,0	180,57	0	21,8	11,3	45			
	6,8	4207	0,9	214,10	0	21,7	7	45			



P_1 [kW]	n_2 [r/min]	M_2 [Nm]	f_B	i_{total}	F_R [kN]	F_A [kN]	$F_{R VL}$ [kN]	$F_{A VL}$ [kN]	Type	kg	mm 																																																																																																																																																																																																																																																																																																																																																																																									
3,00	9,5	3012	1,1	153,31	4,2	21,8	14,3	45	SK 63/22 - 100 AP/4	176	C98																																																																																																																																																																																																																																																																																																																																																																																									
	8,4	3399	0,9	172,85	1	21,9	12,2	45				24	1186	4,8	60,46	24,9	18	35,6	49,4	SK 73 - 100 AP/4	238	C91	20	1468	3,6	74,87	23,7	18,7	34,6	50	16	1792	3,0	91,38	22,2	19,3	33,5	50	15	1971	2,0	100,46	21,4	19,6	32,8	50	12	2441	2,0	124,41	19,1	20,1	30,9	50	8,8	3259	1,7	166,03	14,5	20,5	27,4	50	7,1	4034	1,3	205,61	9,5	20,6	23,7	50	5,2	5496	0,9	279,33	0	20,1	15,7	50	SK 73/22 - 100 AP/4	257	C98	12	2446	2,0	124,65	19	20,1	30,9	50	SK 73/32 - 100 AP/4	268	C98	10	2770	1,8	141,11	17,3	20,3	29,6	50	8,5	3357	1,5	171,23	13,9	20,6	27	50	6,4	4442	1,1	226,73	6,5	20,5	21,7	50	11	2682	2,8	136,78	34,7	38,6	52,6	65	SK 83 - 100 AP/4	345	C93	6,7	4248	2,1	216,61	29	41,9	47,7	65	12	2491	3,2	126,50	35,4	38	53,2	65	SK 83/42 - 100 AP/4	390	C99	9,8	2924	2,7	148,94	33,9	39,2	51,9	65	7,3	3946	2,0	200,37	30,2	41,4	48,7	65	6,2	4631	1,7	235,92	27,5	42,4	46,4	65	5,3	5416	1,5	275,58	24,2	43,3	43,6	65	3,9	7348	1,1	374,99	14,7	44,5	36,2	65	3,3	8593	0,9	437,84	7,4	44,8	30,8	65	8	3571	3,4	181,16	46,5	68,8	68,7	80	SK 93/42 - 100 AP/4	569	C99	6,1	4723	2,6	239,74	42,5	73,3	65,3	80	5,1	5650	2,2	287,83	38,9	76,2	62,4	80	4,4	6532	1,9	333,02	35,2	78,4	59,4	80	3,2	8965	1,4	457,30	23,1	80	50,3	80	2,7	10750	1,1	548,76	11,7	80	42,5	80	1,9	14850	0,8	756,82	0	80	20,2	80	11	2499	4,9	127,50	49,9	63,1	71,6	80	SK 93/52 - 100 AP/4	598	C99	9,1	3156	3,9	161,32	47,9	66,8	69,8	80	4,00	9,3	4106	4,9	154,63	72,4	96,7	107,7	120	SK 103/52 - 112 MP/4	824,5	C99	7,8	4901	4,1	184,62	70,4	101,1	105,9	120	5,9	6490	3,1	244,77	66,1	108,2	102,1	120	4,9	7867	2,5	296,69	62	113,1	98,6	120	4,2	9048	2,2	340,13	58,1	116,7	95,3	120	3,1	12419	1,6	467,81	45,4	120	85,1	120	2,2	17045	1,2	642,31	21,9	120	68,2	120	1,8	21693	0,9	816,55	0	120	46,9	120	486	78,6	1,3	2,96	0	1,8	4,7	3,1	SK 12 - 112 MP/4	45,5	C78	425	90	1,2	3,39	0	1,8	4,8	3,2	362	105	1,1	3,98	0	1,8	4,8	3,2	334	114	1,0	4,32	0	1,9	4,9	3,3	321	119	1,0	4,49	0	1,7	4,9	3,2	292	131	0,9	4,93	0
	24	1186	4,8	60,46	24,9	18	35,6	49,4	SK 73 - 100 AP/4	238	C91																																																																																																																																																																																																																																																																																																																																																																																									
	20	1468	3,6	74,87	23,7	18,7	34,6	50																																																																																																																																																																																																																																																																																																																																																																																												
	16	1792	3,0	91,38	22,2	19,3	33,5	50																																																																																																																																																																																																																																																																																																																																																																																												
	15	1971	2,0	100,46	21,4	19,6	32,8	50																																																																																																																																																																																																																																																																																																																																																																																												
	12	2441	2,0	124,41	19,1	20,1	30,9	50																																																																																																																																																																																																																																																																																																																																																																																												
	8,8	3259	1,7	166,03	14,5	20,5	27,4	50																																																																																																																																																																																																																																																																																																																																																																																												
	7,1	4034	1,3	205,61	9,5	20,6	23,7	50	5,2	5496	0,9	279,33	0	20,1	15,7	50	SK 73/22 - 100 AP/4	257	C98	12	2446	2,0	124,65	19	20,1	30,9	50	SK 73/32 - 100 AP/4	268	C98	10	2770	1,8	141,11	17,3	20,3	29,6	50	8,5	3357	1,5	171,23	13,9	20,6	27	50	6,4	4442	1,1	226,73	6,5	20,5	21,7	50	11	2682	2,8	136,78	34,7	38,6	52,6	65	SK 83 - 100 AP/4	345	C93	6,7	4248	2,1	216,61	29	41,9	47,7	65	12	2491	3,2	126,50	35,4	38	53,2	65	SK 83/42 - 100 AP/4	390	C99	9,8	2924	2,7	148,94	33,9	39,2	51,9	65	7,3	3946	2,0	200,37	30,2	41,4	48,7	65	6,2	4631	1,7	235,92	27,5	42,4	46,4	65	5,3	5416	1,5	275,58	24,2	43,3	43,6	65	3,9	7348	1,1	374,99	14,7	44,5	36,2	65	3,3	8593	0,9	437,84	7,4	44,8	30,8	65	8	3571	3,4	181,16	46,5	68,8	68,7	80	SK 93/42 - 100 AP/4	569	C99	6,1	4723	2,6	239,74	42,5	73,3	65,3	80	5,1	5650	2,2	287,83	38,9	76,2	62,4	80	4,4	6532	1,9	333,02	35,2	78,4	59,4	80	3,2	8965	1,4	457,30	23,1	80	50,3	80	2,7	10750	1,1	548,76	11,7	80	42,5	80	1,9	14850	0,8	756,82	0	80	20,2	80	11	2499	4,9	127,50	49,9	63,1	71,6	80	SK 93/52 - 100 AP/4	598	C99				9,1	3156	3,9	161,32	47,9	66,8	69,8	80	4,00	9,3	4106	4,9	154,63	72,4	96,7	107,7	120	SK 103/52 - 112 MP/4	824,5	C99	7,8	4901	4,1	184,62	70,4	101,1	105,9	120	5,9	6490	3,1	244,77	66,1	108,2	102,1	120	4,9	7867	2,5	296,69	62	113,1	98,6	120	4,2	9048	2,2	340,13	58,1	116,7	95,3	120	3,1	12419	1,6	467,81	45,4	120	85,1	120	2,2	17045	1,2	642,31	21,9	120	68,2		120	1,8	21693	0,9	816,55	0	120	46,9				120	486	78,6	1,3	2,96	0	1,8	4,7	3,1	SK 12 - 112 MP/4	45,5	C78	425	90	1,2	3,39	0	1,8	4,8	3,2	362	105	1,1	3,98	0	1,8	4,8	3,2	334	114	1,0	4,32	0	1,9	4,9	3,3	321	119	1,0	4,49	0	1,7	4,9	3,2	292	131	0,9	4,93	0	1,8	4,9	3,3																																																				
	5,2	5496	0,9	279,33	0	20,1	15,7	50	SK 73/22 - 100 AP/4	257	C98																																																																																																																																																																																																																																																																																																																																																																																									
	12	2446	2,0	124,65	19	20,1	30,9	50	SK 73/32 - 100 AP/4	268	C98																																																																																																																																																																																																																																																																																																																																																																																									
	10	2770	1,8	141,11	17,3	20,3	29,6	50																																																																																																																																																																																																																																																																																																																																																																																												
	8,5	3357	1,5	171,23	13,9	20,6	27	50																																																																																																																																																																																																																																																																																																																																																																																												
	6,4	4442	1,1	226,73	6,5	20,5	21,7	50																																																																																																																																																																																																																																																																																																																																																																																												
	11	2682	2,8	136,78	34,7	38,6	52,6	65	SK 83 - 100 AP/4	345	C93																																																																																																																																																																																																																																																																																																																																																																																									
	6,7	4248	2,1	216,61	29	41,9	47,7	65																																																																																																																																																																																																																																																																																																																																																																																												
	12	2491	3,2	126,50	35,4	38	53,2	65	SK 83/42 - 100 AP/4	390	C99																																																																																																																																																																																																																																																																																																																																																																																									
	9,8	2924	2,7	148,94	33,9	39,2	51,9	65																																																																																																																																																																																																																																																																																																																																																																																												
7,3	3946	2,0	200,37	30,2	41,4	48,7	65																																																																																																																																																																																																																																																																																																																																																																																													
6,2	4631	1,7	235,92	27,5	42,4	46,4	65																																																																																																																																																																																																																																																																																																																																																																																													
5,3	5416	1,5	275,58	24,2	43,3	43,6	65																																																																																																																																																																																																																																																																																																																																																																																													
3,9	7348	1,1	374,99	14,7	44,5	36,2	65																																																																																																																																																																																																																																																																																																																																																																																													
3,3	8593	0,9	437,84	7,4	44,8	30,8	65																																																																																																																																																																																																																																																																																																																																																																																													
8	3571	3,4	181,16	46,5	68,8	68,7	80	SK 93/42 - 100 AP/4	569	C99																																																																																																																																																																																																																																																																																																																																																																																										
6,1	4723	2,6	239,74	42,5	73,3	65,3	80																																																																																																																																																																																																																																																																																																																																																																																													
5,1	5650	2,2	287,83	38,9	76,2	62,4	80																																																																																																																																																																																																																																																																																																																																																																																													
4,4	6532	1,9	333,02	35,2	78,4	59,4	80																																																																																																																																																																																																																																																																																																																																																																																													
3,2	8965	1,4	457,30	23,1	80	50,3	80																																																																																																																																																																																																																																																																																																																																																																																													
2,7	10750	1,1	548,76	11,7	80	42,5	80																																																																																																																																																																																																																																																																																																																																																																																													
1,9	14850	0,8	756,82	0	80	20,2	80																																																																																																																																																																																																																																																																																																																																																																																													
11	2499	4,9	127,50	49,9	63,1	71,6	80				SK 93/52 - 100 AP/4	598	C99																																																																																																																																																																																																																																																																																																																																																																																							
9,1	3156	3,9	161,32	47,9	66,8	69,8	80																																																																																																																																																																																																																																																																																																																																																																																													
4,00	9,3	4106	4,9	154,63	72,4	96,7	107,7	120	SK 103/52 - 112 MP/4	824,5	C99																																																																																																																																																																																																																																																																																																																																																																																									
	7,8	4901	4,1	184,62	70,4	101,1	105,9	120																																																																																																																																																																																																																																																																																																																																																																																												
	5,9	6490	3,1	244,77	66,1	108,2	102,1	120																																																																																																																																																																																																																																																																																																																																																																																												
	4,9	7867	2,5	296,69	62	113,1	98,6	120																																																																																																																																																																																																																																																																																																																																																																																												
	4,2	9048	2,2	340,13	58,1	116,7	95,3	120																																																																																																																																																																																																																																																																																																																																																																																												
	3,1	12419	1,6	467,81	45,4	120	85,1	120																																																																																																																																																																																																																																																																																																																																																																																												
	2,2	17045	1,2	642,31	21,9	120	68,2	120																																																																																																																																																																																																																																																																																																																																																																																												
	1,8	21693	0,9	816,55	0	120	46,9	120																																																																																																																																																																																																																																																																																																																																																																																												
	486	78,6	1,3	2,96	0	1,8	4,7	3,1				SK 12 - 112 MP/4	45,5	C78																																																																																																																																																																																																																																																																																																																																																																																						
	425	90	1,2	3,39	0	1,8	4,8	3,2																																																																																																																																																																																																																																																																																																																																																																																												
	362	105	1,1	3,98	0	1,8	4,8	3,2																																																																																																																																																																																																																																																																																																																																																																																												
	334	114	1,0	4,32	0	1,9	4,9	3,3																																																																																																																																																																																																																																																																																																																																																																																												
	321	119	1,0	4,49	0	1,7	4,9	3,2																																																																																																																																																																																																																																																																																																																																																																																												
	292	131	0,9	4,93	0	1,8	4,9	3,3																																																																																																																																																																																																																																																																																																																																																																																												

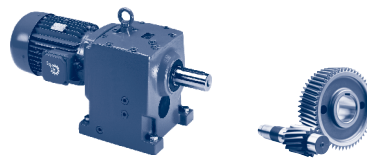
UNICASE™
Helical gear units

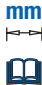
4,00 kW



UNICASE™
Helical gear units

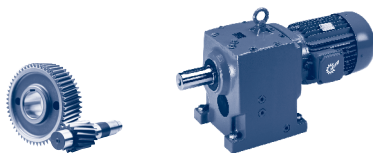
P_1 [kW]	n_2 [r/min]	M_2 [Nm]	f_B	i_{total}	F_R [kN]	F_A	$F_{R VL}$ [kN]	$F_{A VL}$	Type	kg	mm
4,00	515	74,2	1,6	2,79	2	3,2	7,3	4,3	SK 22 - 112 MP/4	54,5	C80
	408	93,7	1,4	3,53	1,6	3,4	7,4	4,4			
	361	106	1,3	3,97	1,3	3,4	7,4	4,5			
	311	123	1,2	4,62	0,8	3,5	7,4	4,6			
	278	137	1,2	5,18	0,4	3,6	7,4	4,7			
	250	153	1,4	5,79	0,7	3,9	7,4	4,9			
	221	173	1,3	6,51	0,2	3,9	7,3	4,9			
	210	182	1,4	6,86	0,2	4	7,3	5			
	190	201	1,2	7,57	0	3,9	7,3	5			
	170	225	1,2	8,48	0	3,9	7,2	5			
	132	289	1,1	10,89	0	3,9	7	5,2			
	118	323	1,0	12,20	0	3,8	6,9	5,2			
	98	389	0,9	14,69	0	3,7	6,6	5,2			
	384	99,4	4,6	3,75	2,7	5	9,4	5,8	SK 32 - 112 MP/4	65,5	C82
	325	117	3,9	4,43	2,8	5,2	9,4	6			
	272	140	4,6	5,28	2,9	5,7	9,4	6,4			
	262	146	3,1	5,50	2,9	5,5	9,4	6,3			
	253	151	4,0	5,70	3	5,8	9,4	6,4			
	214	178	3,4	6,74	3,1	6	9,4	6,6			
	204	187	2,4	7,05	3	5,9	9,4	6,5			
	182	209	3,1	7,90	3,1	6,4	9,4	6,8			
	173	221	2,7	8,36	3,1	6,4	9,4	6,8			
	147	260	2,5	9,80	3,2	6,7	9,3	7			
	123	310	2,3	11,71	3,3	6,8	9,3	7,3			
	99	385	1,7	14,55	3,4	7	9,2	7,5			
	96	398	1,3	15,03	2,8	6,9	9,2	7,4			
	89	431	1,5	16,25	3	7	9,2	7,6			
	87	441	1,2	16,66	2,2	6,8	9,1	7,4			
	77	495	1,3	18,67	2	6,9	9,1	7,6			
	70	548	1,2	20,70	1,2	6,8	9	7,6			
62	613	1,0	23,12	0,5	6,8	8,8	7,6				
53	723	0,8	27,24	0	6,4	8,6	7,5				
	169	225	4,8	8,50	4,6	9,2	10,7	6,8	SK 42 - 112 MP/4	80,5	C84
	141	270	4,3	10,20	4,8	9,5	10,5	7			
	117	326	3,7	12,28	4,9	9,9	10,3	7,2			
	100	381	3,0	14,38	5,1	10,1	10,1	7,4			
	95	401	3,1	15,12	5,1	10,2	10	7,4			
	81	469	2,5	17,71	5,2	10,4	9,7	7,6			
	80	476	2,1	17,92	5,1	10,1	9,6	7,4			
	67	570	2,0	21,50	5,2	10,4	9,1	7,6			
	66	579	1,9	21,87	5,3	10,6	9,1	7,7			
	59	648	1,3	24,41	2,4	10,2	8,6	7,4			
	58	655	1,4	24,67	4,1	10,6	8,6	7,7			
	56	687	1,8	25,88	0,6	10,4	8,4	7,6			
	49	777	1,3	29,29	0	10,3	7,7	7,5			
	47	808	1,3	30,46	0	10,6	7,5	7,7			
	41	935	1,3	35,25	0	10,1	0,7	7,4			
35	1095	1,1	41,29	0	10	0	7,3				
28	1353	0,8	50,98	0	9,5	0	7				
	35	1085	1,0	40,98	0	9,8	0	7,2	SK 43 - 112 MP/4	95,5	C85
	30	1288	0,8	48,56	0	8,7	0	6,4			
	81	472	4,1	17,81	13,3	23,8	19,7	32,4	SK 52 - 112 MP/4	109,5	C86
	74	519	3,7	19,60	13,6	23,8	19,6	33,3			
	67	574	3,3	21,68	14	23,8	19,6	34,2			



P_1 [kW]	n_2 [r/min]	M_2 [Nm]	f_B	i_{total}	F_R [kN]	F_A [kN]	$F_{R VL}$ [kN]	$F_{A VL}$ [kN]	Type	kg	mm 
4,00	60	634	3,0	23,92	14	23,8	19,6	35	SK 52 - 112 MP/4	109,5	C86
	60	639	2,6	24,07	14	23,8	19,6	34,9			
	54	701	2,7	26,46	13,9	23,8	19,5	36			
	50	765	2,6	28,85	13,9	23,8	19,5	36,6			
	45	852	1,6	32,09	13,8	23,8	19,4	37,4			
	44	863	1,5	32,56	13,8	23,8	19,4	37,9			
	40	955	1,5	36,03	13,6	23,8	19,3	38,9			
	39	974	2,0	36,69	13,6	23,8	19,3	39			
	37	1020	1,6	38,45	13,6	23,8	19,3	39,2			
	36	1070	1,8	40,37	13,5	23,8	19,2	39,9			
	29	1298	1,5	48,90	13,1	23,8	18,9	40			
	27	1427	1,3	53,81	12,8	23,8	18,8	40			
	24	1578	1,2	59,54	12,5	23,8	18,5	40			
	20	1896	0,8	71,39	11,6	23,8	17,9	40			
	24	1563	1,2	58,94	12,5	23,8	18,5	40	SK 53 - 112 MP/4	128,5	C87
	22	1732	1,1	65,35	12,1	23,8	18,3	40			
	18	2114	0,9	79,69	10,9	23,8	17,5	40			
	15	2531	0,9	95,49	9,1	23,8	16,4	40			
	30	1293	1,9	48,73	13,9	17,9	21,9	38,7	SK 62 - 112 MP/4	166,5	C88
	55	698	4,6	26,28	16,1	15,9	23,8	33,4	SK 63 - 112 MP/4	164,5	C89
	47	820	4,4	30,91	15,7	16,4	23,4	34,7			
	40	959	3,8	36,11	15,2	17	23	36,1			
	33	1153	3,2	43,43	14,5	17,5	22,3	37,6			
	28	1348	2,7	50,73	13,7	18	21,6	39			
	27	1428	2,6	53,82	13,3	18,2	21,3	39,4			
	23	1670	2,2	62,87	12,2	18,5	20,4	40,8			
	19	2055	1,8	77,46	10,3	19	18,8	42,4			
	17	2315	1,4	87,06	8,9	19,1	17,7	43,3			
	13	2844	1,3	106,95	5,5	19,3	15,2	44,8			
	13	2867	1,3	107,89	5,3	19,3	15,1	44,9			
	11	3522	1,1	132,54	0	19,2	11,5	45			
	9,9	3873	1,0	145,71	0	19,1	9,3	45			
	32	1211	4,4	45,66	24,8	16,3	35,6	45,2			
	28	1387	4,0	52,24	24	16,7	34,9	46,7			
	24	1603	3,5	60,46	23,1	17,1	34,2	48,3			
	19	1984	2,7	74,87	21,3	17,6	32,7	50			
	16	2423	2,2	91,38	19,2	18	31	50			
	14	2665	1,5	100,46	17,9	18,1	30	50			
	12	3299	1,5	124,41	14,3	18,2	27,2	50			
	8,7	4405	1,3	166,03	6,8	18	21,9	50			
	7	5454	1,0	205,61	0	17,5	16	50			
	12	3307	1,5	124,65	14,2	18,2	27,2	50	SK 73/32 - 112 MP/4	275,5	C98
	10	3744	1,3	141,11	11,5	18,2	25,2	50			
	8,4	4539	1,1	171,23	5,8	18	21,1	50			
	6,4	6005	0,8	226,73	0	17,1	12,5	50			
	21	1862	4,8	70,24	37,4	32,4	55	65	SK 83 - 112 MP/4	352,5	C93
	18	2139	4,2	80,62	36,5	33,4	54,2	65			
	11	3625	2,0	136,78	31,4	36,8	49,7	65			
	6,7	5743	1,5	216,61	22,7	39	42,4	65			

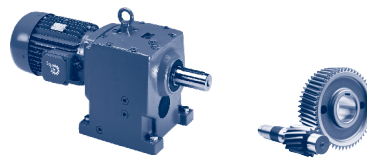
UNICASE™
Helical gear units

4,00 kW
5,50 kW



P_1 [kW]	n_2 [r/min]	M_2 [Nm]	f_B	i_{total}	F_R [kN]	F_A	$F_{R VL}$ [kN]	$F_{A VL}$	Type	kg	mm		
4,00	11	3367	2,4	126,50	32,3	36,4	50,5	65	SK 83/42 - 112 MP/4	397,5	C99		
	9,7	3953	2,0	148,94	30,2	37,3	48,6	65					
	7,2	5334	1,5	200,37	24,5	38,7	43,9	65					
	6,1	6261	1,3	235,92	20,3	39,2	40,5	65					
	5,2	7321	1,1	275,58	14,8	39,5	36,3	65					
	3,8	9934	0,8	374,99	0	39,4	24,4	65	SK 93/42 - 112 MP/4	576,5	C99		
	7,9	4828	2,5	181,16	42,1	66,8	65	80					
	6	6384	1,9	239,74	35,8	70,7	59,9	80					
	5	7639	1,6	287,83	30,1	73	55,4	80					
	4,3	8830	1,4	333,02	23,8	74,7	50,8	80					
	3,2	12120	1,0	457,30	0,4	77,8	35,9	80					
	2,6	14533	0,8	548,76	0	79,1	22,3	80	SK 93/52 - 112 MP/4	605,5	C99		
	11	3378	3,6	127,50	47,1	61,8	69,2	80					
	9	4267	2,9	161,32	44,1	65,1	66,7	80	SK 103 - 132 SP/4	770	C97		
	5,50	7,1	7434	3,1	207,47	63,3	100,5	99,7				120	
9,5		5549	3,6	154,63	68,7	94	104,4	120					
7,9		6624	3,0	184,62	65,7	97,9	101,8	120					
6		8771	2,3	244,77	59,1	104,1	96,1	120					
4,9		10632	1,9	296,69	52,5	108,2	90,7	120					
4,3		12229	1,6	340,13	46,2	111	85,7	120					
3,1		16785	1,2	467,81	23,5	116,9	69,2	120					
2,3		23037	0,9	642,31	0	120	39,7	120				SK 22 - 132 SP/4	74
524	100	1,1	2,79	0,8	2,8	6,8	4						
415	127	1,0	3,53	0,1	2,8	7,1	4,1						
368	143	1,0	3,97	0	2,8	7,2	4,1						
316	166	0,9	4,62	0	2,8	7,2	4,2						
283	186	0,9	5,18	0	2,8	7,3	4,2						
254	207	1,0	5,79	0	3,1	7,2	4,4						
225	233	1,0	6,51	0	3	7,2	4,4						
214	246	1,0	6,86	0	3,1	7,1	4,5						
193	271	0,9	7,57	0	2,9	7,1	4,4						
173	303	0,9	8,48	0	2,8	7	4,3						
134	391	0,8	10,89	0	2,7	6,6	4,3	SK 32 - 132 SP/4	85	C82			
494	106	4,1	2,96	2,4	4,3	8,6	5,3						
391	134	3,4	3,75	2,5	4,5	9	5,5						
331	159	2,9	4,43	2,6	4,6	9,2	5,7						
277	190	3,4	5,28	2,7	5,1	9,4	6						
267	197	2,3	5,50	2,6	4,8	9,4	5,8						
257	204	3,0	5,70	2,7	5,1	9,4	6						
218	241	2,5	6,74	2,7	5,2	9,4	6,1						
208	253	1,8	7,05	2,4	4,9	9,3	6						
186	283	2,3	7,90	2,8	5,4	9,3	6,3						
176	299	2,0	8,36	2,5	5,3	9,3	6,3						
150	351	1,8	9,80	2	5,5	9,3	6,4						
125	419	1,7	11,71	1,3	5,7	9,2	6,5						
101	521	1,3	14,55	0,3	5,7	9	6,6						
98	538	0,9	15,03	0	5,5	9	6,5						
90	582	1,1	16,25	0	5,6	8,9	6,6						
88	597	0,9	16,66	0	5,3	8,9	6,4						
79	668	0,9	18,67	0	5,3	8,7	6,5						
71	741	0,9	20,70	0	5	8,5	6,4						

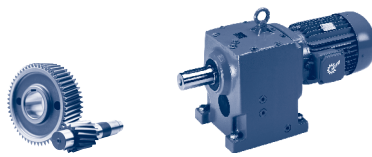
UNICASE™
Helical gear units



P_1 [kW]	n_2 [r/min]	M_2 [Nm]	f_B	i_{total}	F_R [kN]	F_A	$F_{R VL}$ [kN]	$F_{A VL}$	Type	kg	mm C
5,50	320	164	4,7	4,58	3,7	6,6	10,9	5,6	SK 42 - 132 SP/4	100	C84
	273	192	4,3	5,35	3,8	6,9	10,8	5,7			
	237	222	4,8	6,19	4	7,4	10,7	6			
	220	239	4,9	6,65	4,1	7,7	10,7	6,1			
	202	261	4,1	7,28	4,1	7,8	10,6	6,2			
	172	305	3,5	8,50	4,2	8,2	10,4	6,3			
	144	365	3,2	10,20	4,4	8,7	10,2	6,5			
	119	440	2,7	12,28	4,5	8,9	9,8	6,6			
	102	515	2,2	14,38	4,5	9	9,5	6,7			
	97	542	2,3	15,12	4,5	8,9	9,3	6,6			
	83	634	1,9	17,71	4,5	9	8,8	6,7			
	82	643	1,6	17,92	2,8	8,6	8,6	6,4			
	68	771	1,5	21,50	0	8,6	7,7	6,4			
	67	783	1,4	21,87	0	8,9	7,7	6,7			
	60	875	1,0	24,41	0	8,1	2,8	6,1			
	59	885	1,0	24,67	0	8,6	4,7	6,4			
	57	928	1,3	25,88	0	8,4	1,2	6,3			
	50	1050	1,0	29,29	0	7,9	0	6			
	48	1092	1,0	30,46	0	8,3	0	6,2			
	42	1264	1,0	35,25	0	7,3	0	5,6			
35	1480	0,8	41,29	0	6,7	0	5,2				
139	379	4,6	10,58	11,1	22,9	19,7	27,6	SK 52 - 132 SP/4	129	C86	
109	483	3,8	13,45	11,9	23,8	19,6	29,5				
105	502	3,8	14,00	11,9	23,8	19,6	29,7				
82	639	3,0	17,81	12,8	23,8	19,6	31,7				
75	702	2,7	19,60	13,1	23,8	19,5	32,5				
68	776	2,4	21,68	13,4	23,8	19,5	33,3				
61	857	2,2	23,92	13,7	23,8	19,4	34,1				
61	864	2,0	24,07	13,5	23,8	19,4	33,8				
55	948	2,0	26,46	13,7	23,8	19,3	35				
51	1034	2,0	28,85	13,5	23,8	19,2	35,4				
46	1152	1,2	32,09	13,4	23,8	19,1	36,1				
45	1167	1,1	32,56	13,3	23,8	19,1	36,6				
41	1291	1,1	36,03	13,1	23,8	18,9	37,5				
40	1316	1,5	36,69	13,1	23,8	18,9	37,5				
38	1379	1,2	38,45	12,9	23,8	18,8	37,7				
36	1446	1,3	40,37	12,8	23,8	18,7	38,4				
30	1755	1,1	48,90	12	23,8	18,2	39,8				
27	1928	1,0	53,81	11,5	23,8	17,9	40				
25	2133	0,9	59,54	10,8	23,8	17,4	40				
81	651	4,7	18,14	16,3	14,1	24	29,6	SK 62 - 132 SP/4	186	C88	
40	1329	2,3	37,05	13,8	16,1	21,7	35				
30	1748	1,4	48,73	11,9	16,6	20,2	36,9				
70	746	4,3	20,77	16	14,5	23,6	30,6	SK 63 - 132 SP/4	184	C89	
67	788	4,1	21,98	15,8	14,5	23,4	30,9				
56	944	3,4	26,28	15,3	15,1	23	32,4				
47	1108	3,2	30,91	14,6	15,6	22,5	33,5				
41	1296	2,8	36,11	13,9	15,9	21,8	34,7				
34	1558	2,4	43,43	12,7	16,3	20,8	36				
29	1822	2,0	50,73	11,5	16,6	19,8	37,1				
27	1930	1,9	53,82	10,9	16,7	19,4	37,5				
23	2257	1,6	62,87	9,2	16,8	18	38,5				
19	2778	1,3	77,46	5,9	16,8	15,5	39,7				
17	3128	1,0	87,06	3,3	16,8	13,7	40,3				
14	3843	1,0	106,95	0	16,4	9,5	41,1				
14	3875	0,9	107,89	0	16,4	9,3	41,1				

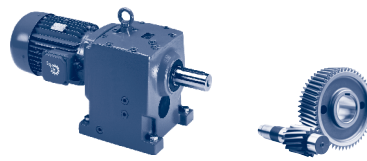
UNICASE™
Helical gear units

5,50 kW
7,50 kW



UNICASE™
Helical gear units

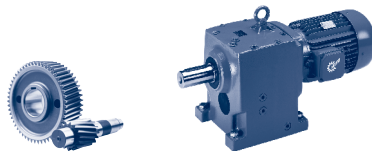
P_1 [kW]	n_2 [r/min]	M_2 [Nm]	f_B	i_{total}	F_R [kN]	F_A	$F_{R VL}$ [kN]	$F_{A VL}$	Type	kg	mm																																																																																																																																																																																																																																																																																																																																																																																																												
5,50	44	1186	2,7	33,04	24,8	14,5	35,6	40,5	SK 72 - 132 SP/4	255	C90																																																																																																																																																																																																																																																																																																																																																																																																												
	34	1567	2,6	43,71	23,4	15,3	34,4	43,4				52	1016	4,9	28,32	25,6	14,1	36,2	39,1	SK 73 - 132 SP/4	265	C91	44	1193	4,2	33,24	24,8	14,5	35,6	40,6	39	1351	3,7	37,63	24,2	14,8	35,1	41,8	32	1637	3,3	45,66	22,9	15,2	34	43,7	28	1874	3,0	52,24	21,8	15,5	33,2	45	24	2166	2,6	60,46	20,4	15,7	32	46,4	20	2682	2,0	74,87	17,8	15,9	29,9	48,3	16	3274	1,6	91,38	14,4	15,9	27,4	50	15	3602	1,1	100,46	12,4	15,8	25,8	50	12	4459	1,1	124,41	6,4	15,4	21,6	50	12	4465	1,3	124,57	6,4	15,4	21,5	50	8,8	5954	0,9	166,03	0	14,3	12,8	50	12	4469	1,1	124,65	6,3	15,4	21,5	50	SK 73/32 - 132 SP/4	295	C98	10	5061	1,0	141,11	1,4	15	18,3	50	8,6	6134	0,8	171,23	0	14,1	11,6	50	36	1450	2,9	40,45	38,6	27,6	56,1	63,6	SK 82 - 132 SP/4	364	C92	30	1748	3,0	48,82	37,8	28,8	55,4	65	28	1847	4,8	51,51	37,4	29,1	55	65	SK 83 - 132 SP/4	372	C93	24	2215	4,1	61,89	36,3	30,2	54	65	21	2516	3,6	70,24	35,3	30,9	53,1	65	18	2891	3,1	80,62	34	31,6	52	65	14	3727	2,5	104,00	31	32,9	49,4	65	11	4900	1,5	136,78	26,4	33,9	45,4	65	8,9	5904	1,5	164,70	22	34,4	41,8	65	6,8	7761	1,1	216,61	12,4	34,5	34,4	65	12	4551	1,8	126,50	27,8	33,7	46,6	65	SK 83/42 - 132 SP/4	417	C99	9,8	5342	1,5	148,94	24,5	34,2	43,9	65	7,3	7209	1,1	200,37	15,5	34,6	36,7	65	6,2	8462	0,9	235,92	8,2	34,4	31,4	65	5,3	9895	0,8	275,58	0	33,9	24,6	65	16	3350	4,2	93,34	47,2	55,5	69,3	80	SK 93 - 132 SP/4	551	C95	13	3917	3,0	109,14	45,4	57,4	67,7	80	7,8	6740	2,1	187,89	34,3	63,8	58,7	80	8	6525	1,9	181,16	35,2	63,4	59,4	80	SK 93/42 - 132 SP/4	596	C99	6,1	8629	1,4	239,74	25	66,2	51,6	80	5,1	10324	1,2	287,83	14,7	67,7	44,5	80	4,4	11934	1,0	333,02	2,2	68,7	36,8	80	12	4566	2,7	127,50	43,1	59,3	65,8	80	SK 93/52 - 132 SP/4	625	C99	9,1	5767	2,1	161,32	38,4	62,1	62	80	7,50	7	10172	2,3	207,47	54,2	96,3	92,1	120	SK 103 - 132 MP/4	777	C97	9,4	7593	2,6	154,63	62,8	90,9	99,3	120	SK 103/52 - 132 MP/4	851	C99	7,9	9064	2,2	184,62	58,1	94,2	95,3	120	6	12002	1,7	244,77	47,1	99,2	86,5	120	4,9	14548	1,4	296,69	35,7	102,2	77,8	120	4,3	16733	1,2	340,13	23,8	104,2	69,5	120	3,1	22967	0,9	467,81	0
	52	1016	4,9	28,32	25,6	14,1	36,2	39,1	SK 73 - 132 SP/4	265	C91																																																																																																																																																																																																																																																																																																																																																																																																												
		44	1193	4,2	33,24	24,8	14,5	35,6					40,6																																																																																																																																																																																																																																																																																																																																																																																																										
		39	1351	3,7	37,63	24,2	14,8	35,1					41,8																																																																																																																																																																																																																																																																																																																																																																																																										
		32	1637	3,3	45,66	22,9	15,2	34					43,7																																																																																																																																																																																																																																																																																																																																																																																																										
		28	1874	3,0	52,24	21,8	15,5	33,2					45																																																																																																																																																																																																																																																																																																																																																																																																										
		24	2166	2,6	60,46	20,4	15,7	32					46,4																																																																																																																																																																																																																																																																																																																																																																																																										
		20	2682	2,0	74,87	17,8	15,9	29,9					48,3																																																																																																																																																																																																																																																																																																																																																																																																										
		16	3274	1,6	91,38	14,4	15,9	27,4					50																																																																																																																																																																																																																																																																																																																																																																																																										
		15	3602	1,1	100,46	12,4	15,8	25,8					50																																																																																																																																																																																																																																																																																																																																																																																																										
		12	4459	1,1	124,41	6,4	15,4	21,6				50																																																																																																																																																																																																																																																																																																																																																																																																											
	12	4465	1,3	124,57	6,4	15,4	21,5	50																																																																																																																																																																																																																																																																																																																																																																																																															
	8,8	5954	0,9	166,03	0	14,3	12,8	50																																																																																																																																																																																																																																																																																																																																																																																																															
	12	4469	1,1	124,65	6,3	15,4	21,5	50	SK 73/32 - 132 SP/4	295	C98																																																																																																																																																																																																																																																																																																																																																																																																												
10		5061	1,0	141,11	1,4	15	18,3	50																																																																																																																																																																																																																																																																																																																																																																																																															
8,6		6134	0,8	171,23	0	14,1	11,6	50																																																																																																																																																																																																																																																																																																																																																																																																															
36	1450	2,9	40,45	38,6	27,6	56,1	63,6	SK 82 - 132 SP/4	364	C92																																																																																																																																																																																																																																																																																																																																																																																																													
	30	1748	3,0	48,82	37,8	28,8	55,4				65																																																																																																																																																																																																																																																																																																																																																																																																												
28	1847	4,8	51,51	37,4	29,1	55	65	SK 83 - 132 SP/4	372	C93																																																																																																																																																																																																																																																																																																																																																																																																													
	24	2215	4,1	61,89	36,3	30,2	54				65																																																																																																																																																																																																																																																																																																																																																																																																												
	21	2516	3,6	70,24	35,3	30,9	53,1				65																																																																																																																																																																																																																																																																																																																																																																																																												
	18	2891	3,1	80,62	34	31,6	52				65																																																																																																																																																																																																																																																																																																																																																																																																												
	14	3727	2,5	104,00	31	32,9	49,4				65																																																																																																																																																																																																																																																																																																																																																																																																												
	11	4900	1,5	136,78	26,4	33,9	45,4				65																																																																																																																																																																																																																																																																																																																																																																																																												
	8,9	5904	1,5	164,70	22	34,4	41,8				65																																																																																																																																																																																																																																																																																																																																																																																																												
	6,8	7761	1,1	216,61	12,4	34,5	34,4				65																																																																																																																																																																																																																																																																																																																																																																																																												
12	4551	1,8	126,50	27,8	33,7	46,6	65	SK 83/42 - 132 SP/4	417	C99																																																																																																																																																																																																																																																																																																																																																																																																													
	9,8	5342	1,5	148,94	24,5	34,2	43,9				65																																																																																																																																																																																																																																																																																																																																																																																																												
	7,3	7209	1,1	200,37	15,5	34,6	36,7				65																																																																																																																																																																																																																																																																																																																																																																																																												
	6,2	8462	0,9	235,92	8,2	34,4	31,4				65																																																																																																																																																																																																																																																																																																																																																																																																												
	5,3	9895	0,8	275,58	0	33,9	24,6				65																																																																																																																																																																																																																																																																																																																																																																																																												
16	3350	4,2	93,34	47,2	55,5	69,3	80	SK 93 - 132 SP/4	551	C95																																																																																																																																																																																																																																																																																																																																																																																																													
	13	3917	3,0	109,14	45,4	57,4	67,7				80																																																																																																																																																																																																																																																																																																																																																																																																												
	7,8	6740	2,1	187,89	34,3	63,8	58,7				80																																																																																																																																																																																																																																																																																																																																																																																																												
8	6525	1,9	181,16	35,2	63,4	59,4	80	SK 93/42 - 132 SP/4	596	C99																																																																																																																																																																																																																																																																																																																																																																																																													
	6,1	8629	1,4	239,74	25	66,2	51,6				80																																																																																																																																																																																																																																																																																																																																																																																																												
	5,1	10324	1,2	287,83	14,7	67,7	44,5				80																																																																																																																																																																																																																																																																																																																																																																																																												
	4,4	11934	1,0	333,02	2,2	68,7	36,8				80																																																																																																																																																																																																																																																																																																																																																																																																												
12	4566	2,7	127,50	43,1	59,3	65,8	80	SK 93/52 - 132 SP/4	625	C99																																																																																																																																																																																																																																																																																																																																																																																																													
	9,1	5767	2,1	161,32	38,4	62,1	62				80																																																																																																																																																																																																																																																																																																																																																																																																												
7,50	7	10172	2,3	207,47	54,2	96,3	92,1	120	SK 103 - 132 MP/4	777	C97																																																																																																																																																																																																																																																																																																																																																																																																												
	9,4	7593	2,6	154,63	62,8	90,9	99,3	120	SK 103/52 - 132 MP/4	851	C99																																																																																																																																																																																																																																																																																																																																																																																																												
		7,9	9064	2,2	184,62	58,1	94,2	95,3				120																																																																																																																																																																																																																																																																																																																																																																																																											
		6	12002	1,7	244,77	47,1	99,2	86,5				120																																																																																																																																																																																																																																																																																																																																																																																																											
		4,9	14548	1,4	296,69	35,7	102,2	77,8				120																																																																																																																																																																																																																																																																																																																																																																																																											
		4,3	16733	1,2	340,13	23,8	104,2	69,5				120																																																																																																																																																																																																																																																																																																																																																																																																											
		3,1	22967	0,9	467,81	0	107,5	40,1				120																																																																																																																																																																																																																																																																																																																																																																																																											



P_1 [kW]	n_2 [r/min]	M_2 [Nm]	f_B	i_{total}	F_R [kN]	F_A	$F_{R VL}$ [kN]	$F_{A VL}$	Type	kg	mm C
7,50	522	137	0,8	2,79	0	2,2	6,3	3,6	SK 22 - 132 MP/4	81	C80
	492	146	3,0	2,96	2,2	3,8	8,2	5	SK 32 - 132 MP/4	92	C82
	390	184	2,5	3,75	2,2	3,9	8,4	5,1			
	330	217	2,1	4,43	2	3,9	8,6	5,2			
	276	260	2,5	5,28	2,3	4,3	9,1	5,5			
	266	269	1,7	5,50	1,1	3,9	8,8	5,3			
	257	279	2,2	5,70	1,8	4,2	9,1	5,5			
	217	330	1,8	6,74	1	4,2	9,2	5,5			
	207	346	1,3	7,05	0	3,7	8,8	5,3			
	185	387	1,7	7,90	0,4	4,2	9,2	5,6			
	175	409	1,5	8,36	0	4	9,2	5,5			
	149	480	1,3	9,80	0	4	9,1	5,6			
	125	574	1,2	11,71	0	3,8	8,9	5,5			
	101	712	0,9	14,55	0	3,6	8,6	5,5			
90	796	0,8	16,25	0	3,3	8,1	5,4				
482	149	4,1	3,02	3,2	5,4	10,1	4,9	SK 42 - 132 MP/4	107	C84	
	454	158	3,9	3,21	3,2	5,5	10,2				5
	417	172	3,9	3,50	3,3	5,6	10,4				5
	374	191	3,7	3,89	3,4	5,8	10,5				5,1
	319	225	3,4	4,58	3,4	6	10,6				5,2
	286	250	3,9	5,10	3,6	6,4	10,6				5,5
	273	263	3,1	5,35	3,5	6,2	10,5				5,3
	253	283	4,0	5,75	3,7	6,6	10,5				5,6
	236	304	3,5	6,19	3,7	6,6	10,4				5,6
	219	327	3,6	6,65	3,8	6,8	10,3				5,7
	201	357	3,0	7,28	3,7	6,8	10,2				5,6
	172	417	2,6	8,50	3,8	7	9,9				5,7
	143	500	2,3	10,20	3,8	7,2	9,5				5,8
	119	602	2,0	12,28	3,8	7,4	8,9				5,8
	102	705	1,6	14,38	0	7,5	8,3				5,7
	97	741	1,7	15,12	0	7,3	8				5,6
	83	868	1,4	17,71	0	7,1	5,7				5,5
	81	879	1,1	17,92	0	6,6	2,6				5,1
68	1055	1,1	21,50	0	6,2	0	4,9				
67	1072	1,0	21,87	0	6,7	0	5,3				
56	1270	1,0	25,88	0	5,6	0	4,5				
261	274	4,3	5,60	9	17,1	19,7	22,8	SK 52 - 132 MP/4	136	C86	
	227	316	4,7	6,42	9,4	18,3	19,7				23,8
	200	357	4,4	7,27	9,7	19,3	19,7				24,6
	189	378	4,2	7,70	9,9	19,9	19,7				25
	165	433	3,9	8,83	10,2	21	19,7				25,9
	138	519	3,4	10,58	10,7	22,1	19,6				27,1
	108	660	2,8	13,45	11,4	23,6	19,5				28,9
	104	686	2,8	14,00	11,4	23,7	19,5				29,1
	82	874	2,2	17,81	12,1	23,8	19,4				30,9
	75	960	2,0	19,60	12,4	23,8	19,3				31,6
	67	1062	1,8	21,68	12,7	23,8	19,2				32,4
	61	1172	1,6	23,92	12,9	23,8	19,1				33
	61	1182	1,4	24,07	12,6	23,8	19,1				32,7
	55	1297	1,5	26,46	13,1	23,8	18,9				33,8
	51	1415	1,4	28,85	12,9	23,8	18,8				34
	40	1801	1,1	36,69	11,9	23,8	18,1				35,9
36	1979	1,0	40,37	10,9	23,8	17,8	36,6				

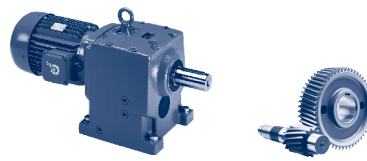
UNICASE™
Helical gear units


7,50 kW



UNICASE™
Helical gear units

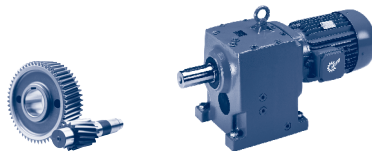
P_1 [kW]	n_2 [r/min]	M_2 [Nm]	f_B	i_{total}	F_R [kN]	F_A	$F_{R VL}$ [kN]	$F_{A VL}$	Type	kg	mm
7,50	105	683	4,5	13,92	16,2	12,8	23,9	27,1	SK 62 - 132 MP/4	193	C88
	92	775	3,9	15,80	15,9	13,1	23,6	28			
	80	891	3,5	18,14	15,5	13,5	23,2	28,9			
	39	1819	1,7	37,05	11,6	14,7	19,9	33,4			
	84	852	3,8	17,37	15,5	13,2	23,2	28,4	SK 63 - 132 MP/4	191	C89
	70	1021	3,1	20,77	15	13,7	22,7	29,7			
	66	1078	3,0	21,98	14,7	13,7	22,5	29,9			
	55	1292	2,5	26,28	13,9	14,2	21,8	31,2			
	47	1516	2,4	30,91	12,9	14,4	21	32,2			
	40	1773	2,1	36,11	11,7	14,6	20	33,1			
	34	2132	1,7	43,43	9,9	14,7	18,5	34,1			
	29	2493	1,5	50,73	7,8	14,7	16,9	34,9			
	27	2641	1,4	53,82	6,9	14,7	16,2	35,1			
	23	3088	1,2	62,87	3,7	14,5	13,9	35,7			
	19	3801	1,0	77,46	0	14	9,8	36,3			
	87	826	4,9	16,86	26,4	12,3	36,9	33,7	SK 72 - 132 MP/4	262	C90
	67	1065	3,8	21,72	25,5	12,9	36,1	35,9			
	44	1623	2,0	33,04	22,9	13,5	34	39,2			
	33	2144	1,9	43,71	20,8	14	32,3	41,8			
	71	1013	4,9	20,62	25,6	12,7	36,2	35,3	SK 73 - 132 MP/4	272	C91
	62	1147	4,4	23,34	25	12,9	35,8	36,4			
	51	1391	3,6	28,32	24	13,3	34,9	38			
	44	1632	3,1	33,24	22,9	13,6	34,1	39,3			
	39	1848	2,7	37,63	22	13,7	33,3	40,4			
	32	2240	2,4	45,66	20,1	13,9	31,7	41,9			
	28	2565	2,2	52,24	18,4	13,9	30,4	43			
	24	2964	1,9	60,46	16,2	13,9	28,7	44			
	20	3670	1,5	74,87	12	13,6	25,5	45,4			
	16	4480	1,2	91,38	6,2	13,1	21,5	46,4			
	15	4928	0,8	100,46	2,5	12,8	19	46,8			
	12	6102	0,8	124,41	0	11,7	11,8	47,3			
	12	6110	0,9	124,57	0	11,7	11,8	47,3			
12	6115	0,8	124,65	0	11,7	11,7	47,3	SK 73/32 - 132 MP/4	302	C99	
36	1983	2,1	40,45	37	26,5	54,6	62,3	SK 82 - 132 MP/4	371	C92	
	30	2392	2,2	48,82	35,8	27,5	53,6				65
37	1914	4,7	39,08	37,2	26,3	54,8	61,8	SK 83 - 132 MP/4	379	C93	
	33	2175	4,1	44,38	36,4	27	54,1				63,7
	28	2527	3,5	51,51	35,3	27,7	53,1				65
	24	3031	3,0	61,89	33,5	28,5	51,5				65
	21	3443	2,6	70,24	32,1	29	50,3				65
	18	3955	2,3	80,62	30,2	29,5	48,6				65
	14	5100	1,8	104,00	25,5	30,1	44,7				65
	8,9	8078	1,1	164,70	10,5	29,9	33,1				65
12	6227	1,3	126,50	20,4	30,3	40,6	65	SK 83/42 - 132 MP/4	424	C99	
	9,8	7310	1,1	148,94	14,9	30,1	36,3				65
	7,3	9864	0,8	200,37	0	29,1	24,8				65
24	3025	4,2	61,63	48,3	48,9	70,2	80	SK 93 - 132 MP/4	558	C95	
	20	3553	3,8	72,47	46,6	50,7	68,7				80
	16	4583	3,1	93,34	43	53,3	65,7				80
	13	5359	2,2	109,14	40,1	54,9	63,3				80
	7,8	9222	1,5	187,89	21,6	59,4	49,2				80



P_1 [kW]	n_2 [r/min]	M_2 [Nm]	f_B	i_{total}	F_R [kN]	F_A [kN]	$F_{R VL}$ [kN]	$F_{A VL}$ [kN]	Type	kg	mm 	
7,50	8	8928	1,4	181,16	23,3	59,2	50,4	80	SK 93/42 - 132 MP/4	603	C99	
	6,1	11807	1,0	239,74	3,3	60,6	37,5	80				
	5,1	14126	0,9	287,83	0	61	24,8	80				
	7,50	11	6247	2,0	127,50	36,4	56,4	60,4	80	SK 93/52 - 132 MP/4	632	C99
		9,1	7891	1,5	161,32	28,8	58,3	54,5	80			
	9,20	21	4208	4,8	70,38	72,1	74,4	107,5	120	SK 103 - 160 SP/4	808	C97
18		4869	4,2	81,40	70,5	77	106	120				
11		8159	2,8	136,51	61	86	97,8	120				
9,20		7,1	12393	1,9	207,47	45,5	92,6	85,2	120	SK 103/52 - 160 SP/4	882	C99
		14	6305	3,2	105,36	66,6	81,6	102,6	120			
		12	7336	2,7	122,42	63,6	84,2	100	120			
		9,5	9251	2,2	154,63	57,4	88,1	94,8	120			
		8	11043	1,8	184,62	50,9	90,9	89,5	120			
		6	14622	1,4	244,77	35,3	94,9	77,5	120			
		5	17724	1,1	296,69	17,5	97	65,4	120			
4,3		20386	1,0	340,13	0	98,3	53,5	120				
9,20		485	181	3,3	3,02	3,1	5,1	9,7	4,7	SK 42 - 160 SP/4	138	C84
		457	192	3,2	3,21	3,1	5,2	9,8	4,8			
		420	209	3,2	3,50	3,1	5,2	9,9	4,8			
		377	233	3,0	3,89	3,2	5,3	10,1	4,9			
		321	274	2,8	4,58	3,2	5,4	10,2	4,9			
		288	305	3,2	5,10	3,4	5,8	10,4	5,2			
		274	320	2,6	5,35	3,3	5,5	10,3	4,9			
		255	344	3,3	5,75	3,4	6	10,3	5,3			
		237	370	2,9	6,19	3,4	5,9	10,1	5,2			
		221	398	2,9	6,65	3,5	6,1	10	5,3			
		202	434	2,5	7,28	3,4	6	9,8	5,2			
		173	508	2,1	8,50	3,4	6	9,5	5,2			
		144	609	1,9	10,2	3,4	6,1	8,9	5,2			
		120	733	1,6	12,28	0	6	8,1	5,1			
		102	859	1,3	14,38	0	5,8	6,3	4,9			
		97	903	1,4	15,12	0	5,6	2,8	4,7			
	83	1057	1,1	17,71	0	5,2	0	4,5				
67	1306	0,8	21,87	0	4,5	0	4,1					
9,20	455	193	5,0	3,23	7,6	13,5	19,7	19,5	SK 52 - 160 SP/4	167	C86	
	433	203	5,0	3,40	7,7	13,7	19,7	19,7				
	401	219	4,8	3,67	7,8	14,1	19,7	20,1				
	361	244	4,6	4,08	8,1	14,7	19,7	20,7				
	318	276	4,3	4,61	8,3	15,4	19,7	21,4				
	288	305	4,5	5,08	8,6	16,2	19,7	22,1				
	263	334	3,5	5,60	8,8	16,6	19,7	22,5				
	254	346	4,2	5,79	8,9	17	19,7	22,9				
	241	365	4,0	6,09	9,1	17,5	19,7	23,2				
	228	385	3,9	6,42	9,2	17,8	19,7	23,5				
	202	436	3,6	7,27	9,5	18,7	19,7	24,3				
	191	461	3,5	7,70	9,6	19,2	19,7	24,7				
	166	528	3,2	8,83	9,9	20,2	19,6	25,4				
	139	632	2,8	10,58	10,4	21,5	19,6	26,6				
	109	805	2,3	13,45	11	22,9	19,4	28,3				
	105	836	2,3	14,00	11	22,8	19,4	28,4				
	83	1064	1,8	17,81	11,6	23,8	19,2	30,2				
	75	1170	1,6	19,60	11,8	23,8	19,1	30,8				
	68	1294	1,5	21,68	12	23,8	18,9	31,5				
	62	1428	1,3	23,92	12,2	23,8	18,8	32,1				
	56	1580	1,2	26,46	12,3	23,8	18,5	32,8				

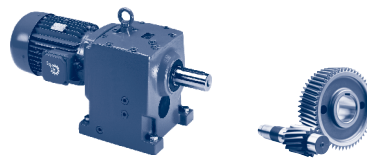
UNICASE™
Helical gear units

9,20 kW



UNICASE™
Helical gear units

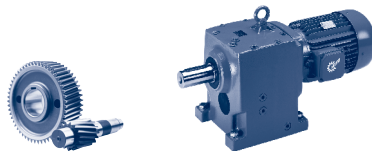
P_1 [kW]	n_2 [r/min]	M_2 [Nm]	f_B	i_{total}	F_R [kN]	F_A	$F_{R VL}$ [kN]	$F_{A VL}$	Type	kg	mm
9,20	140	629	4,9	10,55	16,3	11,7	23,9	24,8	SK 62 - 160 SP/4	224	C88
	127	693	4,4	11,59	16,2	12	23,8	25,5			
	106	832	3,7	13,92	15,7	12,4	23,4	26,6			
	93	945	3,2	15,80	15,3	12,6	23	27,3			
	81	1085	2,8	18,14	14,8	12,9	22,6	28,2			
	40	2216	1,4	37,05	9,5	13,6	18,2	32			
	85	1038	3,1	17,37	14,8	12,7	22,6	27,7	SK 63 - 160 SP/4	222	C89
	71	1243	2,6	20,77	14,1	13,1	22	28,9			
	67	1313	2,4	21,98	13,7	13	21,6	29			
	56	1574	2,0	26,28	12,7	13,4	20,8	30,2			
	48	1847	1,9	30,91	11,4	13,5	19,7	31			
	41	2160	1,7	36,11	9,7	13,5	18,4	31,7			
	34	2598	1,4	43,43	7,1	13,4	16,4	32,5			
	29	3038	1,2	50,73	4,1	13,2	14,2	32,9			
	27	3218	1,1	53,82	2,6	13,1	13,2	33,1			
	23	3763	1,0	62,87	0	12,6	10	33,3			
	103	857	4,7	14,33	26,3	11,5	36,8	31,8	SK 72 - 160 SP/4	293	C90
	87	1006	4,0	16,86	25,7	11,8	36,3	33,1			
	68	1293	3,5	21,64	24,3	12,2	35,2	34,9			
	68	1298	3,1	21,72	24,5	12,3	35,4	35,1			
	51	1708	2,4	28,63	22,8	12,7	33,9	37,2			
	44	1977	1,6	33,04	21,2	12,6	32,7	38			
34	2612	1,6	43,71	18,4	12,9	30,5	40,3				
	82	1077	4,6	18,00	25,3	11,9	36	33,5	SK 73 - 160 SP/4	303	C91
	71	1235	4,1	20,62	24,7	12,1	35,5	34,6			
	63	1398	3,6	23,34	24	12,3	34,9	35,5			
	52	1694	3,0	28,32	22,7	12,6	33,8	37			
	44	1989	2,5	33,24	21,3	12,7	32,7	38,2			
	39	2252	2,2	37,63	20	12,7	31,7	39,1			
	32	2729	2,0	45,66	17,5	12,7	29,7	40,3			
	28	3125	1,8	52,24	15,3	12,6	28	41,2			
	24	3611	1,6	60,46	12,3	12,3	25,8	41,9			
	20	4471	1,2	74,87	6,3	11,7	21,5	42,8			
16	5458	1,0	91,38	0	10,8	15,9	43,3				
	55	1591	4,0	26,62	38,2	23,7	55,7	55,3	SK 82 - 160 SP/4	402	C92
	46	1919	3,4	32,12	37,3	24,6	54,9	57,9			
	36	2416	1,7	40,45	35,6	25,6	53,4	61,1			
	30	2914	1,8	48,82	34,1	26,4	52	63,8			
	53	1673	4,9	28,03	38	23,9	55,5	56	SK 83 - 160 SP/4	410	C93
	45	1944	4,4	32,52	37,1	24,6	54,7	58			
	38	2331	3,9	39,08	35,9	25,4	53,6	60,6			
	33	2650	3,4	44,38	34,8	25,9	52,7	62,3			
	29	3079	2,9	51,51	33,4	26,5	51,4	64,4			
	24	3693	2,4	61,89	31,1	27,1	49,5	65			
	21	4195	2,1	70,24	29,2	27,4	47,8	65			
	18	4819	1,9	80,62	26,7	27,6	45,7	65			
	14	6213	1,5	104,0	20,5	27,7	40,7	65			
	8,9	9842	0,9	164,7	0	26,2	24,9	65			
	12	7587	1,1	126,50	13,4	27,3	35,2	65	SK 83/42 - 160 SP/4	455	C99
	9,9	8905	0,9	148,94	5,3	26,7	29,4	65			



P_1 [kW]	n_2 [r/min]	M_2 [Nm]	f_B	i_{total}	F_R [kN]	F_A	$F_{R VL}$ [kN]	$F_{A VL}$	Type	kg	mm C
9,20	41	2120	4,5	35,47	51,1	42,2	72,6	80	SK 92 - 160 SP/4	578	C94
	32	2787	4,4	46,57	49	44,9	70,8	80	SK 93 - 160 SP/4	589	C95
	27	3213	3,8	53,80	47,7	46,3	69,7	80			
	24	3685	3,4	61,63	46,1	47,6	68,4	80			
	20	4328	3,1	72,47	43,9	49,2	66,5	80			
	16	5584	2,5	93,34	39,2	51,4	62,6	80			
	13	6529	1,8	109,14	35,2	52,7	59,4	80			
	12	7349	1,9	123,05	31,5	53,6	56,5	80			
	7,8	11235	1,2	187,89	8,1	55,7	40,3	80			
	8,1	10877	1,1	181,16	10,8	55,6	41,9	80	SK 93/42 - 160 SP/4	634	C99
	6,1	14384	0,8	239,74	0	55,9	23,2	80			
	14	6335	1,9	106,25	36,1	52,5	60,1	80	SK 93/52 - 160 SP/4	663	C99
	12	7611	1,6	127,50	30,2	53,8	55,5	80			
	9,1	9614	1,3	161,32	19,3	55,1	47,6	80			
11,0	24	4356	4,6	60,71	71,8	70,7	107,1	119,4	SK 103 - 160 MP/4	808	C97
	21	5049	4,0	70,38	70	73,2	105,6	120			
	18	5841	3,5	81,40	67,9	75,5	103,7	120			
	11	9789	2,3	136,51	55,6	83,6	93,2	120			
	7,1	14868	1,6	207,47	34,1	88,9	76,6	120			
	14	7564	2,6	105,36	62,9	79,7	99,4	120	SK 103/52 - 160 MP/4	882	C99
	12	8801	2,3	122,42	59	82	96	120			
	9,5	11098	1,8	154,63	50,7	85,4	89,3	120			
	7,9	13249	1,5	184,62	41,8	87,6	82,3	120			
	6	17543	1,1	244,77	18,7	90,5	66,2	120			
	4,9	21264	0,9	296,69	0	91,7	49,1	120			
	4,3	24458	0,8	340,13	0	92,1	31,4	120			
	484	217	2,8	3,02	2,9	4,7	9,3	4,5			
	456	230	2,7	3,21	2,9	4,8	9,4	4,5			
	419	251	2,6	3,50	2,9	4,8	9,5	4,6			
	375	280	2,5	3,89	3	4,9	9,6	4,6			
	320	328	2,4	4,58	3	4,9	9,7	4,6			
	287	366	2,7	5,10	3,1	5,3	10,1	4,8			
	273	384	2,1	5,35	3	4,9	9,7	4,6			
	254	413	2,7	5,75	3,2	5,4	10	4,9			
	237	444	2,4	6,19	3,1	5,3	9,8	4,8			
	220	477	2,4	6,65	3,2	5,4	9,6	4,9			
	202	521	2,1	7,28	3,1	5,2	9,4	4,7			
	172	609	1,8	8,50	3	5	8,9	4,6			
	144	731	1,6	10,2	0	4,9	8,1	4,5			
	119	880	1,4	12,28	0	4,6	4,3	4,3			
	102	1031	1,1	14,38	0	4,2	0	4,1			
	97	1083	1,1	15,12	0	3,8	0	3,8			
	83	1269	0,9	17,71	0	3,2	0	3,4			
	527	199	4,5	2,78	7,2	12,6	19,7	18,6	SK 52 - 160 MP/4	167	C86
453	232	4,1	3,23	7,5	13,3	19,7	19,3				
432	243	4,1	3,40	7,5	13,5	19,7	19,6				
400	263	4,0	3,67	7,7	13,9	19,7	20				
359	292	3,9	4,08	7,9	14,4	19,7	20,5				
317	331	3,6	4,61	8,2	15	19,7	21,2				
287	366	3,7	5,08	8,5	15,9	19,7	21,9				

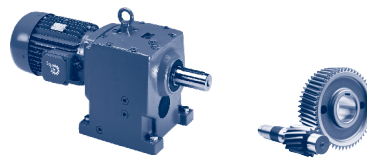
UNICASE™
Helical gear units

11,0 kW



UNICASE™
Helical gear units

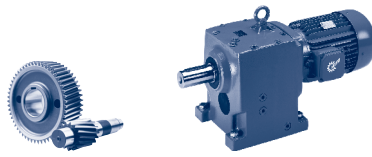
P_1 [kW]	n_2 [r/min]	M_2 [Nm]	f_B	i_{total}	F_R [kN]	F_A	$F_{R VL}$ [kN]	$F_{A VL}$	Type	kg	mm C
11,0	262	401	2,9	5,60	8,6	16,1	19,7	22,3	SK 52 - 160 MP/4	167	C86
	253	415	3,5	5,79	8,7	16,6	19,7	22,6			
	240	438	3,4	6,09	8,9	17	19,7	23			
	228	461	3,2	6,42	9	17,3	19,7	23,2			
	201	523	3,0	7,27	9,2	18,1	19,6	23,9			
	190	553	2,9	7,70	9,4	18,6	19,6	24,3			
	166	633	2,6	8,83	9,6	19,5	19,6	25,1			
	139	758	2,3	10,58	10	20,8	19,5	26,2			
	109	965	1,9	13,45	10,6	22,1	19,3	27,8			
	105	1003	1,9	14,00	10,5	22	19,3	27,9			
	82	1277	1,5	17,81	11	23,1	19	29,5			
	75	1403	1,4	19,60	11,2	23,5	18,8	30,1			
	68	1552	1,2	21,68	10,8	23,8	18,6	30,7			
	61	1713	1,1	23,92	8,9	23,8	18,3	31,1			
	55	1895	1,0	26,46	7,5	23,8	18	31,7			
	277	379	5,0	5,29	17	9,7	24,6	20,5	SK 62 - 160 MP/4	224	C88
	231	455	4,2	6,35	16,8	10,1	24,3	21,4			
	167	629	4,8	8,78	16,3	11	23,9	23,4			
	139	755	4,1	10,55	15,9	11,3	23,5	24,4			
	126	832	3,7	11,59	15,7	11,6	23,4	25			
	105	998	3,1	13,92	15,1	11,9	22,9	26			
	93	1133	2,7	15,80	14,6	12,1	22,4	26,7			
	81	1302	2,4	18,14	13,9	12,3	21,8	27,5			
	40	2659	1,1	37,05	6,9	12,4	16,2	30,5			
	84	1245	2,6	17,37	14	12,1	21,9	27			
	70	1492	2,1	20,77	13	12,4	21,1	28,1			
	67	1576	2,0	21,98	12,5	12,3	20,6	28,1			
	56	1888	1,7	26,28	11,2	12,5	19,5	29,1			
	47	2216	1,6	30,91	9,4	12,5	18,1	29,8			
	41	2591	1,4	36,11	7,2	12,3	16,4	30,3			
	34	3117	1,2	43,43	3,4	12	13,8	30,7			
	29	3645	1,0	50,73	0	11,5	10,7	30,9			
	27	3860	1,0	53,82	0	11,3	9,4	30,9			
	23	4514	0,8	62,87	0	10,6	4,7	30,8			
	117	896	4,5	12,52	26,1	10,9	36,7	30,4	SK 72 - 160 MP/4	293	C89
	117	896	4,5	12,52	26,1	10,9	36,7	30,4			
	102	1028	3,9	14,33	25,6	11,1	36,3	31,4			
	87	1207	3,4	16,86	24,9	11,4	35,7	32,5			
	68	1552	2,9	21,64	23,2	11,6	34,3	34,1			
	67	1557	2,6	21,72	23,4	11,8	34,5	34,4			
	51	2049	2,0	28,63	21,2	12	32,7	36,3			
	44	2372	1,4	33,04	19,3	11,7	31,1	36,9			
	34	3133	1,3	43,71	15,6	11,8	28,3	38,8			
	81	1292	3,9	18,00	24,4	11,4	35,3	32,9			
	71	1481	3,4	20,62	23,6	11,6	34,6	33,9			
	63	1677	3,0	23,34	22,7	11,7	33,9	34,7			
	52	2033	2,5	28,32	21,1	11,8	32,5	36			
	44	2386	2,1	33,24	19,3	11,8	31,2	37			
	39	2701	1,9	37,63	17,7	11,7	29,9	37,7			
	32	3274	1,6	45,66	14,4	11,5	27,4	38,7			
	28	3749	1,5	52,24	11,5	11,2	25,1	39,3			
	24	4332	1,3	60,46	7,4	10,7	22,2	39,8			
	20	5364	1,0	74,87	0	9,7	16,5	40,2			
	16	6549	0,8	91,38	0	8,3	8,7	40,1			



P_1 [kW]	n_2 [r/min]	M_2 [Nm]	f_B	i_{total}	F_R [kN]	F_A [kN]	$F_{R VL}$ [kN]	$F_{A VL}$ [kN]	Type	kg	mm C	
11,0	55	1909	3,3	26,62	37,2	23	54,8	54,5	SK 82 - 160 MP/4	402	C92	
	46	2302	2,9	32,12	36,1	23,9	53,8	57				
	36	2899	1,4	40,45	34	24,6	51,9	59,9				
	30	3496	1,5	48,82	32	25,3	50,3	62,4				
	11,0	60	1748	4,6	24,42	37,7	22,7	55,3	53,4	SK 83 - 160 MP/4	410	C93
		52	2007	4,1	28,03	36,9	23,2	54,6	55,1			
		45	2332	3,7	32,52	35,9	23,8	53,6	57,1			
		38	2797	3,2	39,08	34,3	24,5	52,3	59,4			
		33	3179	2,8	44,38	33	24,9	51,1	61			
		28	3694	2,4	51,51	31,1	25,2	49,5	62,9			
		24	4430	2,0	61,89	28,3	25,6	47,1	65			
		21	5032	1,8	70,24	25,8	25,7	45	65			
18		5781	1,6	80,62	22,5	25,6	42,3	65				
14		7454	1,2	104,00	14,1	25,1	35,7	65				
11,0	12	9102	0,9	126,50	3,9	24,2	28,4	65	SK 83/42 - 160 MP/4	455	C99	
	41	2544	3,8	35,47	49,8	41,5	71,6	80	SK 92 - 160 MP/4	578	C94	
11,0	37	2829	4,3	39,54	48,9	42,4	70,7	80	SK 93 - 160 MP/4	589	C95	
	31	3343	3,6	46,57	47,3	43,9	69,3	80				
	27	3854	3,2	53,80	45,6	45,2	67,9	80				
	24	4421	2,9	61,63	43,6	46,4	66,2	80				
	20	5193	2,6	72,47	40,7	47,7	63,9	80				
	16	6699	2,1	93,34	34,5	49,5	58,8	80				
	13	7834	1,5	109,14	29,1	50,4	54,7	80				
	12	8817	1,6	123,05	23,9	51	50,9	80				
	7,8	13479	1,0	187,89	0	51,7	28,6	80				
	11,0	8	13050	0,9	181,16	0	51,8	31				80
14		7601	1,6	106,25	30,3	50,3	55,6	80	SK 93/52 - 160 MP/4	663	C99	
12	9131	1,3	127,50	22,1	51,1	49,6	80					
9,1	11534	1,1	161,32	5,7	51,8	38,8	80					
15,0	32	4432	4,5	45,25	71,6	64,1	107	108,5	SK 103 - 160 LP/4	837	C97	
	28	5182	3,9	52,98	69,7	66,3	105,3	112,7				
	24	5940	3,4	60,71	67,6	68,3	103,5	116,4				
	21	6885	2,9	70,38	64,9	70,3	101,1	120				
	18	7965	2,6	81,40	61,7	72,3	98,3	120				
	11	13348	1,7	136,51	41,3	78,1	82	120				
	7,1	20275	1,1	207,47	0	80,5	54	120				
	15,0	14	10315	1,9	105,36	53,7	75,4	91,7	120	SK 103/52 - 160 LP/4	911	C99
		12	12002	1,7	122,42	47,1	77,1	86,5	120			
		9,5	15134	1,3	154,63	32,7	79,1	75,6	120			
		7,9	18066	1,1	184,62	15,2	80,1	64	120			
		6	23922	0,8	244,77	0	80,6	34,6	120			
15,0	484	296	2,0	3,02	2,6	4	8,5	4	SK 42 - 160 LP/4	167	C84	
	456	314	2,0	3,21	2,6	4	8,5	4				
	419	342	1,9	3,50	2,5	3,9	8,5	4				
	375	382	1,8	3,89	2,5	3,8	8,5	3,9				
	320	448	1,7	4,58	2,5	3,7	8,3	3,8				
	287	499	2,0	5,10	2,6	4	8,8	4,1				
	273	524	1,6	5,35	1,6	3,4	8,2	3,7				

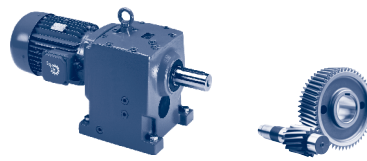
UNICASE™
Helical gear units

15,0 kW



UNICASE™
Helical gear units

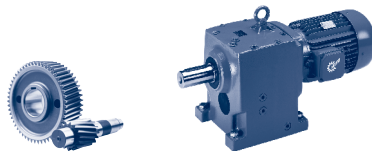
P_1 [kW]	n_2 [r/min]	M_2 [Nm]	f_B	i_{total}	F_R [kN]	F_A	$F_{R VL}$ [kN]	$F_{A VL}$ [kN]	Type	kg	mm C
15,0	254	564	2,0	5,75	2,6	4	8,9	4,1	SK 42 - 160 LP/4	167	C84
	237	606	1,8	6,19	1,9	3,8	8,6	3,9			
	220	651	1,8	6,65	1,7	3,8	8,6	3,9			
	202	711	1,5	7,28	0	3,4	8,2	3,7			
	172	831	1,3	8,50	0	2,9	5,8	3,4			
	144	997	1,2	10,2	0	2,5	0	3,1			
	119	1200	1,0	12,28	0	1,7	0	2,6			
	102	1406	0,8	14,38	0	0,9	0	2,1			
97	1477	0,8	15,12	0	0,3	0	1,8				
527	272	3,3	2,78	6,9	12,1	18,9	18,3	SK 52 - 160 LP/4	196	C86	
453	316	3,0	3,23	7,2	12,7	19,2	19				
432	332	3,0	3,40	7,3	12,9	19,3	19,2				
400	358	3,0	3,67	7,4	13,2	19,4	19,6				
359	399	2,8	4,08	7,6	13,7	19,5	20,1				
317	451	2,6	4,61	7,8	14,2	19,6	20,7				
287	499	2,7	5,08	8,1	15	19,6	21,4				
262	547	2,1	5,60	8,1	15,1	19,5	21,6				
253	565	2,5	5,79	8,3	15,6	19,6	22				
240	598	2,5	6,09	8,4	16	19,6	22,4				
228	629	2,4	6,42	8,5	16,2	19,6	22,6				
201	713	2,2	7,27	8,7	16,8	19,5	23,2				
190	753	2,1	7,70	8,8	17,3	19,5	23,6				
166	864	1,9	8,83	8,9	17,8	19,4	24,2				
139	1034	1,7	10,58	9,3	19	19,2	25,2				
109	1316	1,4	13,45	9,3	20,3	18,9	26,6				
105	1368	1,4	14,00	7,5	20	17,4	26,5				
82	1741	1,1	17,81	4,9	20,8	15,9	27,8				
75	1913	1,0	19,60	3,5	21	15	28,3				
68	2117	0,9	21,68	1,7	21,1	13,7	28,8				
61	2336	0,8	23,92	0	21	11,4	29				
322	445	4,7	4,56	16,8	9	24,4	19,2	SK 62 - 160 LP/4	253	C88	
277	517	3,6	5,29	16,5	9,3	24,1	19,9				
231	621	3,1	6,35	16,2	9,6	23,8	20,8				
194	738	4,2	7,56	15,9	10,1	23,6	21,8				
167	858	3,5	8,78	15,5	10,3	23,2	22,6				
139	1029	3,0	10,55	14,8	10,5	22,6	23,4				
126	1134	2,7	11,59	14,6	10,8	22,4	24				
105	1360	2,3	13,92	13,7	11	21,6	24,8				
93	1545	1,9	15,80	12,9	11	20,9	25,3				
81	1775	1,7	18,14	11,8	11	20,1	25,9				
40	3626	0,8	37,05	0	9,8	11	27,3				
84	1698	1,9	17,37	11,9	10,8	20,1	25,4	SK 63 - 160 LP/4	251	C89	
70	2034	1,6	20,77	10,4	10,9	18,9	26,2				
67	2148	1,5	21,98	9,6	10,6	18,2	26,1				
56	2574	1,2	26,28	7,3	10,6	16,5	26,8				
47	3022	1,2	30,91	4,2	10,3	14,3	27				
41	3533	1,0	36,11	0	9,7	11,4	27,1				
34	4250	0,9	43,43	0	8,9	6,7	26,9				
228	628	4,4	6,42	23,7	8,9	31,7	24,8	SK 72 - 160 LP/4	322	C90	
135	1061	4,4	10,84	25,3	9,9	36	28,3				
117	1222	3,3	12,52	24,8	10,2	35,6	29,4				
117	1222	3,3	12,52	24,8	10,2	35,6	29,4				
102	1401	2,9	14,33	24,1	10,3	35	30,3				



P_1 [kW]	n_2 [r/min]	M_2 [Nm]	f_B	i_{total}	F_R [kN]	F_A [kN]	$F_{R VL}$ [kN]	$F_{A VL}$ [kN]	Type	kg	mm
15,0	87	1646	2,5	16,86	23,1	10,4	34,2	31,2	SK 72 - 160 LP/4	322	C90
	68	2116	2,1	21,64	20,6	10,2	32,1	32,4			
	67	2123	1,9	21,72	20,9	10,5	32,4	32,7			
	51	2795	1,5	28,63	17,5	10,3	29,7	34,1			
	44	3235	1,0	33,04	14,5	9,7	27,4	34,2			
	34	4272	0,9	43,71	8,2	9,3	22,9	35,5			
	81	1761	2,8	18,00	22,4	10,3	33,6	31,5			
	71	2020	2,5	20,62	21,2	10,3	32,6	32,2			
	63	2287	2,2	23,34	19,8	10,3	31,6	32,9			
	52	2772	1,8	28,32	17,3	10,1	29,6	33,8			
	44	3253	1,5	33,24	14,6	9,8	27,5	34,4			
	39	3684	1,4	37,63	11,9	9,5	25,5	34,8			
	32	4465	1,2	45,66	6,4	8,7	21,5	35,1			
	28	5112	1,1	52,24	0,9	8	18	35,2			
24	5908	1,0	60,46	0	7,1	13,1	35				
103	1397	4,7	14,29	38,9	19,6	56,3	45,8	SK 82 - 160 LP/4	431	C92	
	88	1619	4,1	16,56	38,2	20,1	55,7				47,4
	55	2603	2,4	26,62	35	21,6	52,8				52,7
	46	3139	2,1	32,12	33,3	22,2	51,4				54,9
	36	3953	1,0	40,45	30,2	22,4	48,6				57,1
	30	4768	1,1	48,82	27,1	22,7	46,1				59,1
70	2052	3,9	21,04	36,8	20,9	54,4	50	SK 83 - 160 LP/4	439	C93	
	60	2384	3,4	24,42	35,7	21,3	53,5				51,7
	52	2737	3,0	28,03	34,5	21,7	52,4				53,2
	45	3180	2,7	32,52	33	22,1	51,1				54,9
	38	3814	2,4	39,08	30,7	22,4	49,1				56,8
	33	4336	2,1	44,38	28,7	22,5	47,4				58
	28	5037	1,8	51,51	25,8	22,5	45				59,4
	24	6041	1,5	61,89	21,3	22,2	41,3				60,8
	21	6862	1,3	70,24	17,3	21,9	38,1				61,7
	18	7884	1,1	80,62	11,7	21,3	33,9				62,4
14	10165	0,9	104,00	0	19,5	23,3	63				
41	3468	2,8	35,47	47	39,9	69,1	80	SK 92 - 160 LP/4	607	C94	
54	2650	4,6	27,05	49,4	37,7	71,2	78,7	SK 93 - 160 LP/4	618	C95	
	47	3054	4,0	31,25	48,2	38,8	70,1				80
	37	3858	3,2	39,54	45,6	40,6	67,9				80
	31	4559	2,7	46,57	43,1	41,8	65,8				80
	27	5256	2,3	53,80	40,5	42,7	63,7				80
	24	6029	2,1	61,63	37,4	43,5	61,1				80
	20	7081	1,9	72,47	32,7	44,3	57,5				80
	16	9136	1,5	93,34	22,1	45,2	49,6				80
	13	10682	1,1	109,14	12,2	45,3	42,8				80
12	12023	1,2	123,05	1,4	45,3	36,4	80				
14	10364	1,2	106,25	14,4	45,3	44,3	80	SK 93/52 - 160 LP/4	692	C99	
	12	12451	1,0	127,50	0	45,2	34,2				80
18,5	39	4532	4,4	37,90	71,3	60,1	106,7	102	SK 103 - 180 MP/4	870	C97
	33	5410	3,7	45,25	69,1	62,4	104,7	106,3			
	28	6327	3,2	52,98	66,5	64,3	102,5	110,2			
	24	7252	2,8	60,71	63,8	66	100,2	113,5			
	21	8405	2,4	70,38	60,2	67,7	97,1	117,1			
	18	9724	2,1	81,40	55,8	69,3	93,4	120			

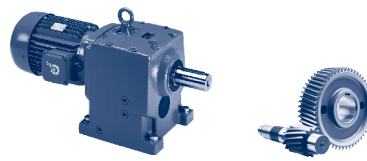
UNICASE™
Helical gear units


18,5 kW



UNICASE™
Helical gear units

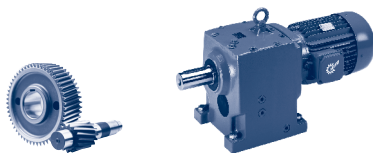
P_1 [kW]	n_2 [r/min]	M_2 [Nm]	f_B	i_{total}	F_R [kN]	F_A	$F_{R VL}$ [kN]	$F_{A VL}$	Type	kg	mm
18,5	14	12592	1,6	105,36	44,6	71,6	84,5	120	SK 103/52 - 180 MP/4	944	C99
	12	14652	1,4	122,42	35,1	72,7	77,4	120			
	9,6	18476	1,1	154,63	12,2	73,6	62,2	120			
	8	22056	0,9	184,62	0	73,6	45,1	120			
	489	362	1,7	3,02	2,3	3,3	7,7	3,6	SK 42 - 180 MP/4	200	C84
	460	384	1,6	3,21	2,2	3,3	7,7	3,6			
	423	418	1,6	3,50	2,2	3,2	7,6	3,5			
	379	466	1,5	3,89	1,7	3	7,5	3,4			
	323	547	1,4	4,58	0,2	2,7	7,2	3,2			
	290	609	1,6	5,10	0,8	3	7,7	3,5			
	276	639	1,3	5,35	0	2,3	6,8	3			
	257	688	1,6	5,75	0	2,9	7,7	3,4			
	239	739	1,5	6,19	0	2,5	7,2	3,2			
	222	795	1,5	6,65	0	2,5	7,3	3,2			
	204	868	1,2	7,28	0	2	3,3	2,8			
	174	1015	1,1	8,50	0	1,2	0	2,4			
	145	1217	1,0	10,20	0	0,5	0	1,9			
	121	1465	0,8	12,28	0	0	0	1,2			
	533	332	2,7	2,78	6,7	11,7	17,8	17,9	SK 52 - 180 MP/4	229	C86
	458	386	2,5	3,23	6,9	12,2	17,9	18,6			
	436	405	2,5	3,40	7	12,4	17,9	18,8			
	404	437	2,4	3,67	7,1	12,6	17,9	19,2			
	363	487	2,3	4,08	7,3	13	17,8	19,7			
	321	551	2,2	4,61	7,4	13,5	17,7	20,2			
	290	609	2,2	5,08	7,7	14,3	18,7	20,9			
	265	668	1,8	5,60	7,7	14,2	17,2	21			
	256	690	2,1	5,79	7,9	14,8	18,5	21,5			
	242	729	2,0	6,09	8	15,1	18,7	21,8			
	230	768	1,9	6,42	8	15,2	18,2	22			
	203	870	1,8	7,27	8,2	15,7	17,7	22,5			
	192	920	1,7	7,70	8,3	16,1	17,9	22,9			
	168	1054	1,6	8,83	8,1	16,4	16,6	23,4			
	140	1263	1,4	10,58	6,7	17,3	15,8	24,3			
	110	1607	1,2	13,45	4,4	18,6	14,4	25,5			
	106	1670	1,1	14,00	2,1	18,2	12,5	25,3			
	83	2126	0,9	17,81	0	18,7	10,1	26,4			
	76	2336	0,8	19,60	0	18,8	8,7	26,7			
	398	444	4,6	3,72	16,8	8,4	22,7	18	SK 62 - 180 MP/4	286	C88
	378	467	4,3	3,91	16,7	8,5	22,9	18,2			
	365	484	3,9	4,05	16,7	8,5	23	18,3			
	325	544	3,8	4,56	16,4	8,7	23,5	18,8			
	280	632	3,0	5,29	16,1	8,9	23,7	19,4			
	233	758	2,5	6,35	15,6	9,1	23,3	20,1			
	196	901	3,5	7,56	15,3	9,6	23,1	21,2			
	169	1047	2,9	8,78	14,8	9,7	22,6	21,8			
	141	1256	2,5	10,55	13,9	9,8	21,8	22,5			
	128	1385	2,2	11,59	13,6	10,1	21,5	23,1			
	106	1661	1,9	13,92	12,3	10,1	20,5	23,7			
	94	1887	1,6	15,80	11,2	10,1	19,6	24,1			
	82	2167	1,4	18,14	9,8	9,9	18,4	24,5			
	85	2073	1,5	17,37	10	9,7	18,6	24			
	71	2484	1,3	20,77	7,9	9,6	16,9	24,6			
	67	2623	1,2	21,98	6,7	9,2	16	24,3			
	56	3143	1,0	26,28	3,2	9	13,6	24,8			
	48	3689	1,0	30,91	0	8,4	10,5	24,6			
	41	4314	0,9	36,11	0	7,5	6,2	24,3			



P_1 [kW]	n_2 [r/min]	M_2 [Nm]	f_B	i_{total}	F_R [kN]	F_A [kN]	$F_{R VL}$ [kN]	$F_{A VL}$ [kN]	Type	kg	mm 
18,5	264	668	4,2	5,60	22,3	8,3	30	23,5	SK 72 - 180 MP/4	355	C90
	230	767	3,6	6,42	22,8	8,5	30,9	24,2			
	180	980	4,8	8,19	24,3	9	33,1	26			
	156	1129	4,2	9,46	24,7	9,2	34,1	26,8			
	136	1295	3,6	10,84	24,3	9,3	35,1	27,5			
	118	1491	2,7	12,52	23,7	9,5	34,7	28,5			
	118	1491	2,7	12,52	23,7	9,5	34,7	28,5			
	103	1711	2,4	14,33	22,8	9,6	33,9	29,3			
	88	2009	2,0	16,86	21,4	9,6	32,8	30,1			
	68	2592	1,6	21,72	18,5	9,4	30,5	31,2			
18,5	82	2150	2,3	18,00	20,5	9,4	32,1	30,2	SK 73 - 180 MP/4	365	C91
	72	2466	2,0	20,62	18,9	9,3	30,8	30,8			
	63	2792	1,8	23,34	17,2	9,1	29,5	31,2			
	52	3384	1,5	28,32	13,8	8,6	26,9	31,8			
	44	3972	1,3	33,24	10	8,1	24,1	32,1			
	39	4497	1,1	37,63	6,1	7,5	21,4	32,2			
	32	5451	1,0	45,66	0	6,4	16	32			
	28	6241	0,9	52,24	0	5,4	10,9	31,6			
18,5	104	1705	3,9	14,29	37,9	18,9	55,5	44,8	SK 82 - 180 MP/4	464	C92
	89	1977	3,3	16,56	37,1	19,3	54,7	46,4			
18,5	71	2505	3,2	21,04	35,3	19,9	53,1	48,7	SK 83 - 180 MP/4	472	C93
	61	2910	2,7	24,42	34	20,2	51,9	50,2			
	53	3342	2,4	28,03	32,4	20,4	50,6	51,5			
	46	3882	2,2	32,52	30,4	20,5	48,9	52,8			
	38	4656	1,9	39,08	27,4	20,5	46,3	54,4			
	33	5293	1,7	44,38	24,7	20,4	44,1	55,3			
	29	6150	1,5	51,51	20,8	20	40,9	56,2			
	24	7375	1,2	61,89	14,6	19,3	36	57,1			
	21	8378	1,1	70,24	8,7	18,6	31,7	57,5			
	18	9625	0,9	80,62	0,1	17,5	25,9	57,6			
18,5	65	2737	4,5	22,97	49,2	35,3	71	74,1	SK 93 - 180 MP/4	651	C95
	55	3235	3,8	27,05	47,6	36,5	69,6	77,2			
	47	3729	3,3	31,25	46	37,5	68,2	79,7			
	38	4710	2,6	39,54	42,5	38,9	65,4	80			
	32	5566	2,2	46,57	39,2	39,8	62,7	80			
	28	6416	1,9	53,80	35,7	40,5	59,8	80			
	24	7361	1,7	61,63	31,4	41	56,5	80			
	20	8645	1,6	72,47	24,9	41,3	51,6	80			
	16	11153	1,3	93,34	8,7	41,4	40,6	80			
	18,5	14	12653	1,0	106,25	0	41	33,1			
12		15201	0,8	127,5	0	40,1	17,9	80			
22,0	50	4219	4,7	29,62	72,1	55,8	107,4	94,7	SK 103 - 180 LP/4	870	C97
	39	5408	3,7	37,90	69,1	58,8	104,7	100,4			
	33	6456	3,1	45,25	66,2	60,8	102,2	104,4			
	28	7549	2,6	52,98	62,9	62,5	99,4	108			
	24	8653	2,3	60,71	59,4	63,9	96,4	111			
	21	10030	2,0	70,38	54,7	65,3	92,5	114,1			
	18	11603	1,8	81,40	48,7	66,4	87,7	117,1			
22,0	14	15025	1,3	105,36	33,2	67,9	76	120	SK 103/52 - 180 LP/4	944	C99
	12	17483	1,1	122,42	19,1	68,4	66,4	120			
	9,5	22046	0,9	154,63	0	68,2	45,1	120			

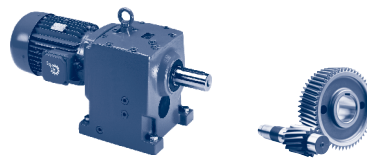
UNICASE™
Helical gear units

22,0 kW



P_1 [kW]	n_2 [r/min]	M_2 [Nm]	f_B	i_{total}	F_R [kN]	F_A	$F_{R VL}$ [kN]	$F_{A VL}$	Type	kg	mm C
22,0	487	432	1,4	3,02	1,6	2,6	7	3,2	SK 42 - 180 LP/4	200	C84
	459	458	1,4	3,21	1,1	2,5	6,9	3,1			
	421	499	1,3	3,50	0,4	2,3	6,7	3			
	378	556	1,3	3,89	0	2,1	6,5	2,9			
	322	653	1,2	4,58	0	1,6	6	2,6			
	289	726	1,4	5,10	0	2	6,6	2,8			
	275	763	1,1	5,35	0	1	4,3	2,2			
	256	821	1,4	5,75	0	1,8	6,3	2,7			
	238	882	1,2	6,19	0	1,2	2,4	2,4			
	222	948	1,2	6,65	0	1,2	0	2,4			
	203	1035	1,0	7,28	0	0,4	0	1,9			
	174	1211	0,9	8,50	0	0	0	1,3			
	145	1452	0,8	10,2	0	0	0	0,7			
	531	396	2,2	2,78	6,5	11,3	16,6	17,7	SK 52 - 180 LP/4	229	C86
	456	460	2,1	3,23	6,7	11,7	16,6	18,3			
	435	483	2,1	3,40	6,8	11,9	16,5	18,5			
	403	522	2,0	3,67	6,8	12,1	16,4	18,8			
	362	581	1,9	4,08	7	12,4	16,2	19,3			
	320	657	1,8	4,61	7,1	12,8	15,8	19,8			
	289	727	1,9	5,08	7,4	13,6	16,8	20,5			
	264	797	1,5	5,60	7,3	13,3	14,9	20,5			
	255	824	1,7	5,79	7,5	13,9	16,3	21			
	241	870	1,7	6,09	7,7	14,3	16,6	21,4			
	229	917	1,6	6,42	7,6	14,3	15,8	21,4			
	202	1038	1,5	7,27	6,9	14,6	15	21,9			
	191	1098	1,5	7,70	7	15	15,2	22,3			
	167	1258	1,3	8,83	4,5	15,1	13,3	22,6			
	139	1506	1,2	10,58	2,4	15,7	12	23,4			
110	1917	1,0	13,45	0	16,6	9,9	24,4				
105	1993	1,0	14,00	0	15,9	7,5	24,2				
	497	423	4,6	2,97	16,9	7,8	21,1	16,8	SK 62 - 180 LP/4	286	C88
	445	472	4,2	3,30	16,7	8	21,5	17,2			
	397	529	3,8	3,72	16,5	8,1	21,9	17,6			
	377	557	3,6	3,91	16,4	8,2	22,1	17,8			
	363	578	3,3	4,05	16,3	8,2	22,2	18			
	324	649	3,2	4,56	16,1	8,4	22,5	18,4			
	279	754	2,5	5,29	15,6	8,5	22,9	18,9			
	232	904	2,1	6,35	15	8,6	22,8	19,6			
	195	1076	2,9	7,56	14,7	9,1	22,5	20,6			
	168	1250	2,4	8,78	14	9,1	21,8	21,1			
	140	1499	2,1	10,55	12,9	9,1	20,9	21,7			
	127	1652	1,9	11,59	12,4	9,4	20,5	22,2			
	106	1982	1,6	13,92	10,8	9,2	19,2	22,7			
	93	2251	1,3	15,80	9,3	9,1	18,1	22,9			
	81	2586	1,2	18,14	7,3	8,8	16,5	23,1			
	85	2473	1,3	17,37	7,7	8,5	16,8	22,6	SK 63 - 180 LP/4	284	C89
	71	2963	1,1	20,77	4,6	8,3	14,6	23			
	67	3130	1,0	21,98	3	7,8	13,4	22,6			
	56	3750	0,9	26,28	0	7,3	10,1	22,7			
	48	4402	0,8	30,91	0	6,4	5,6	22,3			
	429	489	5,0	3,43	19,8	7,4	26,4	20,6	SK 72 - 180 LP/4	355	C90
	359	585	4,6	4,12	20,5	7,6	27,5	21,5			
	304	692	4,2	4,85	21	7,8	28,6	22,3			
	263	797	3,6	5,60	21,5	8	29,4	23,1			

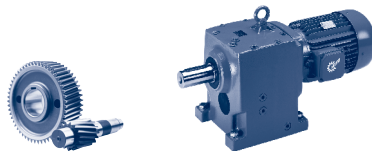
UNICASE™
Helical gear units



P_1 [kW]	n_2 [r/min]	M_2 [Nm]	f_B	i_{total}	F_R [kN]	F_A	$F_{R VL}$ [kN]	$F_{A VL}$	Type	kg	mm
22,0	230	915	3,0	6,42	21,8	8,1	30,3	23,7	SK 72 - 180 LP/4	355	C90
	212	989	4,3	6,95	22,8	8,5	31,3	24,5			
	180	1169	4,0	8,19	23,2	8,6	32,4	25,4			
	156	1347	3,5	9,46	23,5	8,7	33,3	26,1			
	136	1546	3,0	10,84	23,2	8,7	34,1	26,8			
	118	1780	2,3	12,52	22,5	8,9	33,7	27,7			
	118	1780	2,3	12,52	22,5	8,9	33,7	27,7			
	103	2041	2,0	14,33	21,3	8,9	32,7	28,3			
	88	2398	1,7	16,86	19,5	8,7	31,3	29			
	68	3093	1,3	21,72	15,8	8,3	28,4	29,8			
22,0	82	2566	1,9	18,00	18,4	8,5	30,4	29	SK 73 - 180 LP/4	365	C91
	71	2942	1,7	20,62	16,4	8,2	28,8	29,4			
	63	3331	1,5	23,34	14,1	7,9	27,1	29,6			
	52	4038	1,2	28,32	9,5	7,2	23,7	29,9			
	44	4739	1,1	33,24	4,2	6,4	20,1	29,8			
	39	5366	0,9	37,63	0	5,6	16,5	29,6			
	32	6505	0,8	45,66	0	4	9	28,9			
22,0	238	884	4,9	6,19	37,9	15,3	48,3	35,7	SK 82 - 180 LP/4	464	C92
	143	1472	4,7	10,33	38,6	17,2	55,1	40,8			
	125	1687	4,2	11,84	37,9	17,6	55,4	42,2			
	103	2035	3,2	14,29	36,9	18,2	54,6	44			
	89	2358	2,8	16,56	35,9	18,6	53,7	45,4			
22,0	70	2989	2,7	21,04	33,7	18,9	51,7	47,5	SK 83 - 180 LP/4	472	C93
	60	3473	2,3	24,42	32	19	50,2	48,8			
	53	3987	2,0	28,03	30	19,1	48,5	49,9			
	45	4633	1,8	32,52	27,5	19	46,4	50,9			
	38	5556	1,6	39,08	23,5	18,7	43,1	52,1			
	33	6316	1,4	44,38	20	18,3	40,3	52,7			
	29	7338	1,2	51,51	14,8	17,6	36,2	53,2			
	24	8801	1,0	61,89	6	16,4	29,8	53,5			
	21	9997	0,9	70,24	0	15,3	24,1	53,3			
22,0	90	2345	4,5	16,47	50,4	32,3	72,1	67,6	SK 92 - 180 LP/4	640	C94
22,0	77	2730	4,5	19,12	49,2	33,3	71	70	SK 93 - 180 LP/4	651	C95
	64	3266	3,7	22,97	47,5	34,4	69,5	73			
	54	3860	3,2	27,05	45,5	35,4	67,9	75,9			
	47	4449	2,7	31,25	43,5	36,2	66,1	78,2			
	37	5621	2,2	39,54	39	37,3	62,5	80			
	32	6642	1,8	46,57	34,7	37,9	59	80			
	27	7656	1,6	53,80	30	38,3	55,4	80			
	24	8783	1,4	61,63	24,1	38,5	51	80			
	20	10315	1,3	72,47	14,8	38,4	44,5	80			
	16	13308	1,1	93,34	0	37,6	29,5	80			
30,0	70	4094	4,9	21,19	72,4	49,9	107,4	85	SK 103 - 225 RP/4	1030	C97
	59	4887	4,1	25,30	70,4	51,8	105,9	88,5			
	50	5715	3,5	29,62	68,2	53,3	104	91,7			
	39	7325	2,7	37,90	63,6	55,7	100	96,5			
	33	8744	2,3	45,25	59,1	57,1	96,2	99,8			
	28	10225	2,0	52,98	54	58,2	91,9	102,6			
	24	11720	1,7	60,71	48,3	59	87,4	104,9			
	21	13585	1,5	70,38	40,2	59,6	81,2	107,1			
18	15716	1,3	81,40	29,6	59,9	73,4	109				

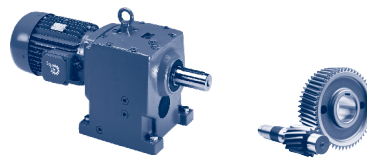
UNICASE™
Helical gear units

30,0 kW



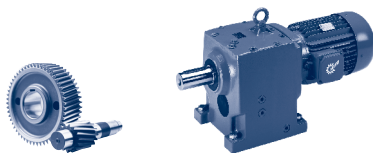
UNICASE™
Helical gear units

P_1 [kW]	n_2 [r/min]	M_2 [Nm]	f_B	i_{total}	F_R [kN]	F_A	$F_{R VL}$ [kN]	$F_{A VL}$	Type	kg	mm C
30,0	534	536	1,7	2,78	6	10,4	14	17,1	SK 52 - 225 RP/4	389	C91
	459	624	1,5	3,23	6,2	10,7	13,5	17,6			
	438	655	1,5	3,4	6,2	10,8	13,3	17,7			
	405	707	1,5	3,67	6,2	10,9	13	18			
	364	786	1,4	4,08	5,6	11,1	12,4	18,4			
	322	891	1,3	4,61	4,3	11,2	11,5	18,7			
	291	985	1,4	5,08	5,3	12	12,6	19,5			
	265	1079	1,1	5,60	1,8	11,4	9,7	19,3			
	257	1115	1,3	5,79	3,8	12,1	11,5	19,9			
	243	1179	1,2	6,09	3,8	12,4	11,7	20,2			
	231	1242	1,2	6,42	2,3	12,2	10,5	20,2			
	204	1406	1,1	7,27	0,2	12,3	9	20,5			
	193	1487	1,1	7,70	0,1	12,5	9	20,8			
	168	1704	1,0	8,83	0	12,1	6	20,9			
	140	2040	0,9	10,58	0	12,2	3,6	21,4			
	500	573	573	3,4	2,97	16,3	7,3	19,8			
448		640	3,1	3,30	16,1	7,4	20	16,5			
399		717	2,8	3,72	15,8	7,5	20,2	16,8			
380		755	2,7	3,91	15,6	7,5	20,3	17			
366		783	2,4	4,05	15,5	7,6	20,3	17,1			
326		879	2,4	4,56	15,1	7,6	20,5	17,4			
281		1021	1,8	5,29	14,6	7,6	20,5	17,8			
234		1225	1,6	6,35	13,7	7,6	20,3	18,3			
197		1457	2,1	7,56	13	8	21,1	19,2			
169		1693	1,8	8,78	12	7,9	20,2	19,5			
141		2030	1,5	10,55	10,2	7,6	18,8	19,7			
128		2238	1,4	11,59	9,4	7,7	18,1	20,2			
107		2684	1,1	13,92	6,7	7,3	16,1	20,3			
537		533	533	4,0	2,76	18	6,7	24,3	19	SK 72 - 225 RP/4	515
	432	663	3,7	3,43	18,7	6,9	25,5	20			
	361	793	3,4	4,12	19,1	7,1	26,5	20,7			
	306	937	3,1	4,85	19,4	7,2	27,3	21,4			
	265	1080	2,6	5,60	19,6	7,2	28	22			
	231	1239	2,2	6,42	19,7	7,2	28,7	22,5			
	214	1340	3,2	6,95	20,8	7,6	29,8	23,4			
	181	1583	2,9	8,19	20,8	7,6	30,6	24,1			
	157	1825	2,6	9,46	20,8	7,5	31,1	24,6			
	137	2094	2,2	10,84	20,6	7,4	31	25			
	119	2410	1,7	12,52	19,5	7,5	31,3	25,8			
	119	2410	1,7	12,52	19,5	7,5	31,3	25,8			
	104	2765	1,5	14,33	17,6	7,2	29,8	26,1			
	88	3247	1,2	16,86	14,9	6,8	27,8	26,4			
	82	3475	3475	1,4	18,00	13,2	6,3	26,4	26,1		
72		3985	1,3	20,62	9,9	5,8	24	26,1			
63		4512	1,1	23,34	6	5,1	21,3	26			
52		5469	0,9	28,32	0	3,8	15,9	25,4			
280	1024	1024	4,7	5,29	35,1	14,2	45,2	33,5	SK 82 - 225 RP/4	624	C97
	239	1197	3,6	6,19	36,1	14,6	46,8	34,7			
	201	1428	4,4	7,39	38,1	15,3	49,4	36,6			
	168	1705	3,9	8,82	37,9	15,8	51,3	38,1			
	144	1994	3,4	10,33	37	16,1	53	39,4			
	125	2285	3,1	11,84	36	16,3	53,8	40,5			
	104	2756	2,4	14,29	34,6	16,7	52,5	42,1			
	90	3194	2,1	16,56	33,1	16,8	51,2	43,2			



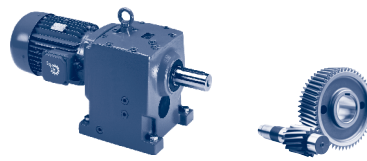
P_1 [kW]	n_2 [r/min]	M_2 [Nm]	f_B	i_{total}	F_R [kN]	F_A [kN]	$F_{R VL}$ [kN]	$F_{A VL}$ [kN]	Type	kg	mm C	
30,0	71	4048	2,0	21,04	29,8	16,6	48,3	44,6	SK 83 - 225 RP/4	632	C93	
	61	4704	1,7	24,42	27,2	16,4	46,1	45,4				
	53	5400	1,5	28,03	24,2	16,1	43,7	46,1				
	46	6275	1,4	32,52	20,2	15,5	40,4	46,5				
	38	7525	1,2	39,08	13,7	14,5	35,4	46,8				
	33	8554	1,0	44,38	7,6	13,6	31	46,7				
	29	9939	0,9	51,51	0	12,1	24,4	46,3				
	191	1499	4,1	7,78	52,3	26	69,8	54,2	SK 92 - 225 RP/4	800	C94	
	141	2026	5,0	10,50	51,3	28,2	72,9	59				
	120	2390	4,4	12,39	50,3	29,2	72	61,4				
	103	2770	3,9	14,36	49,2	30,1	71	63,6				
	90	3176	3,3	16,47	47,9	30,8	69,9	65,6				
	77	3698	3,3	19,12	46,1	31,5	68,3	67,7	SK 93 - 225 RP/4	811	C95	
	65	4424	2,8	22,97	43,6	32,3	66,2	70,3				
	55	5228	2,3	27,05	40,6	32,9	63,7	72,6				
	48	6027	2,0	31,25	37,4	33,3	61,1	74,5				
	38	7613	1,6	39,54	30,2	33,7	55,5	77,4				
	32	8996	1,4	46,57	22,9	33,6	50,1	79,1				
	28	10370	1,2	53,80	14,4	33,3	44,3	80				
	24	11896	1,1	61,63	2,5	32,8	37	80				
	21	13971	1,0	72,47	0	31,8	25,7	80				
	37,0	70	5049	4,0	21,19	70	48,5	105	83,2	SK 103 - 225 SP/4	1045	C97
		59	6027	3,3	25,30	67,4	50	103,3	86,4			
		50	7048	2,8	29,62	64,5	51,3	100,7	89,1			
		39	9034	2,2	37,90	58,2	53	95,4	93,3			
		33	10784	1,9	45,25	51,9	53,9	90,3	96			
		28	12611	1,6	52,98	44,6	54,5	84,5	98,1			
		24	14455	1,4	60,71	36,1	54,7	78,1	99,7			
21		16754	1,2	70,38	23,7	54,7	69,4	101				
18		19382	1,1	81,4	5,1	54,2	58,1	102				
534		661	1,3	2,78	5,6	9,6	11,7	16,5	SK 52 - 225 SP/4	404	C86	
459		769	1,2	3,23	4,5	9,8	10,9	17				
438		807	1,2	3,40	4	9,8	10,6	17,1				
405		871	1,2	3,67	3,2	9,8	10	17,3				
364		970	1,2	4,08	1,8	9,9	9	17,6				
322		1098	1,1	4,61	0,1	9,9	7,7	17,8				
291		1214	1,1	5,08	1,1	10,6	8,9	18,6				
265		1331	0,9	5,60	0	9,7	5,1	18,2				
257		1376	1,0	5,79	0	10,6	7,3	18,9				
243		1454	1,0	6,09	0	10,8	7,4	19,2				
231		1531	1,0	6,42	0	10,5	5,8	19,1				
204		1734	0,9	7,27	0	10,3	3,7	19,2				
193		1833	0,9	7,70	0	10,5	3,6	19,5				
500		706	2,8	2,97	15,8	6,9	18,6	15,6				SK 62 - 225 SP/4
448		789	2,5	3,30	15,5	6,9	18,7	15,9				
399		884	2,3	3,72	15,1	7	18,7	16,2				
380		931	2,2	3,91	14,9	7	18,7	16,3				
366		966	2,0	4,05	14,8	7	18,7	16,4				
326		1084	1,9	4,56	14,3	6,9	18,6	16,6				
281		1259	1,5	5,29	13,5	6,9	18,4	16,9				
234		1510	1,3	6,35	12,3	6,7	17,8	17,1				
197		1797	1,7	7,56	11,4	7	18,6	18				

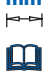
37,0 kW



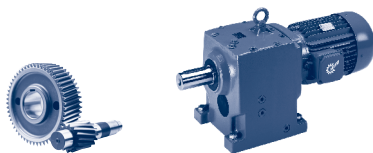
UNICASE™
Helical gear units

P_1 [kW]	n_2 [r/min]	M_2 [Nm]	f_B	i_{total}	F_R [kN]	F_A	$F_{R VL}$ [kN]	$F_{A VL}$	Type	kg	mm
37,0	169	2088	1,4	8,78	9,9	6,7	17,8	18,1	SK 62 - 225 SP/4	461	C88
	141	2504	1,2	10,55	7,5	6,2	16,4	18,1			
	128	2760	1,1	11,59	6,2	6,3	15,7	18,5			
	107	3310	0,9	13,92	1,9	5,6	12,8	18,2			
	537	657	3,2	2,76	17,2	6,4	23,7	18,6	SK 72 - 225 SP/4	530	C89
	432	817	3,0	3,43	17,7	6,5	24,8	19,4			
	361	978	2,7	4,12	17,9	6,6	25,6	20,1			
	306	1155	2,5	4,85	18	6,6	26,3	20,7			
	265	1332	2,1	5,60	17,9	6,5	26,8	21,1			
	231	1528	1,8	6,42	17,8	6,4	26,8	21,5			
	214	1652	2,6	6,95	19	6,9	28,4	22,4			
	181	1953	2,4	8,19	18,7	6,7	28,3	22,9			
	157	2251	2,1	9,46	18,4	6,5	28	23,3			
	137	2582	1,8	10,84	17,8	6,3	27,4	23,5			
	119	2973	1,4	12,52	16,5	6,2	27,6	24,1			
	119	2973	1,4	12,52	16,5	6,2	27,6	24,1			
	104	3410	1,2	14,33	14	5,8	26,6	24,2			
	88	4005	1,0	16,86	10,1	5,1	24,3	24,2			
	82	4286	1,2	18,00	7,7	4,5	22,5	23,7	SK 73 - 225 SP/4	540	C91
	72	4915	1,0	20,62	2,7	3,6	19,1	23,3			
	63	5565	0,9	23,34	0	2,7	15,3	22,8			
	512	690	4,5	2,89	30,2	12,2	38,4	28,4	SK 82 - 225 SP/4	639	C92
	408	865	4,6	3,62	31,6	12,8	40,6	30			
	334	1058	4,1	4,43	32,8	13,2	42,5	31,5			
	280	1263	3,8	5,29	33,8	13,6	44,2	32,8			
	239	1476	2,9	6,19	34,6	13,9	45,7	33,9			
	201	1762	3,6	7,39	36,5	14,7	48,2	35,8			
	168	2103	3,1	8,82	36,6	14,9	49,9	37,1			
	144	2459	2,8	10,33	35,5	15,1	51,3	38,2			
	125	2819	2,5	11,84	34,3	15,2	52,2	39,1			
	104	3399	1,9	14,29	32,4	15,4	50,6	40,4			
90	3940	1,7	16,56	30,4	15,3	48,9	41,3				
	71	4993	1,6	21,04	26	14,7	45,1	42,1	SK 83 - 225 SP/4	647	C93
	61	5801	1,4	24,42	22,4	14,1	42,2	42,6			
	53	6661	1,2	28,03	18,3	13,5	38,9	42,8			
	46	7739	1,1	32,52	12,5	12,5	34,5	42,7			
	38	9281	1,0	39,08	2,7	10,9	27,6	42,2			
	33	10550	0,8	44,38	0	9,4	21,3	41,5			
	221	1596	4,9	6,70	52	24,5	65,8	51,4	SK 92 - 225 SP/4	815	C94
	191	1849	3,3	7,78	51,2	25,3	67,7	53,3			
	141	2498	4,0	10,5	50	27,4	71,7	58			
	120	2948	3,6	12,39	48,6	28,2	70,5	60,2			
	103	3416	3,2	14,36	47,2	28,9	69,3	62,2			
	90	3918	2,7	16,47	45,5	29,5	67,9	64			
	77	4561	2,7	19,12	43,1	29,9	65,8	65,8	SK 93 - 225 SP/4	826	C95
	65	5456	2,2	22,97	39,7	30,4	63	68			
	55	6448	1,9	27,05	35,6	30,7	59,7	69,9			
	48	7433	1,6	31,25	31,1	30,8	56,2	71,4			
	38	9389	1,3	39,54	20,6	30,5	48,5	73,4			
	32	11095	1,1	46,57	9,2	29,9	40,9	74,5			
	28	12790	1,0	53,80	0	29	32,4	75			
	24	14672	0,9	61,63	0	27,8	21,4	75,2			



P_1 [kW]	n_2 [r/min]	M_2 [Nm]	f_B	i_{total}	F_R [kN]	F_A [kN]	$F_{R VL}$ [kN]	$F_{A VL}$ [kN]	Type	kg	mm 
45,0	70	6141	3,3	21,19	67,1	46,8	102,2	81,1	SK 103 - 225 MP/4	1080	C97
	59	7330	2,7	25,30	63,6	48	100	83,9			
	50	8572	2,3	29,62	59,7	48,9	96,7	86,2			
	39	10988	1,8	37,90	51,1	50	89,6	89,5			
	33	13116	1,5	45,25	42,4	50,3	82,8	91,5			
	28	15337	1,3	52,98	31,6	50,3	74,9	92,9			
	24	17580	1,1	60,71	18,5	49,9	66	93,7			
	21	20377	1,0	70,38	0	49	53,5	94,1			
	500	859	2,3	2,97	15,1	6,4	17,2	15	SK 62 - 225 MP/4	496	C88
	448	960	2,1	3,30	14,8	6,4	17,2	15,2			
	399	1076	1,9	3,72	14,3	6,3	17	15,4			
	380	1132	1,8	3,91	14,1	6,3	16,9	15,5			
	366	1175	1,6	4,05	13,9	6,3	16,9	15,6			
	326	1318	1,6	4,56	13,2	6,2	16,6	15,7			
	281	1532	1,2	5,29	12,2	6	16	15,8			
	197	2185	1,4	7,56	9,4	5,9	15,5	16,6			
	169	2539	1,2	8,78	7,3	5,4	14,2	16,5			
	128	3357	0,9	11,59	1,5	4,7	12,1	16,5			
	537	800	2,7	2,76	16,3	6	23	18,1	SK 72 - 225 MP/4	565	C89
	455	944	2,5	3,26	16,5	6	23,7	18,6			
	432	994	2,4	3,43	16,5	6	23,9	18,8			
	385	1117	2,3	3,86	16,5	6	24,4	19,2			
	361	1189	2,2	4,12	16,5	6	24,6	19,3			
	306	1405	2,1	4,85	16,4	5,9	24,7	19,8			
	265	1620	1,7	5,60	16,1	5,7	24,5	20,1			
	231	1858	1,5	6,42	15,7	5,5	24,1	20,4			
	214	2010	2,1	6,95	17	6,1	25,8	21,3			
	181	2375	2,0	8,19	16,4	5,8	25,2	21,6			
	157	2738	1,7	9,46	15,6	5,4	24,4	21,8			
	137	3140	1,5	10,84	14,6	4,9	23,3	21,8			
	119	3616	1,1	12,52	12,7	4,8	23,1	22,3			
	119	3616	1,1	12,52	12,7	4,8	23,1	22,3			
104	4148	1,0	14,33	9,1	4,2	21,5	22,1				
	82	5213	1,0	18,00	0	2,3	16,4	20,9	SK 73 - 225 MP/4	575	C91
	72	5977	0,8	20,62	0	1,2	12,6	20,1			
	512	839	3,7	2,89	29,4	11,8	37,8	28	SK 82 - 225 MP/4	674	C92
	408	1053	3,8	3,62	30,6	12,3	39,8	29,5			
	334	1286	3,4	4,43	31,6	12,7	41,5	30,8			
	280	1536	3,1	5,29	32,3	13	43,1	32			
	239	1796	2,4	6,19	32,9	13,1	44,4	33			
	201	2142	2,9	7,39	34,7	13,9	46,7	34,8			
	168	2558	2,6	8,82	35,2	14	48,2	35,9			
	144	2991	2,3	10,33	33,7	14	49,4	36,8			
	125	3428	2,1	11,84	32,1	14	50,3	37,5			
	104	4134	1,6	14,29	29,7	13,9	48,2	38,6			
	90	4792	1,4	16,56	27	13,6	46	39,1			
	71	6072	1,3	21,04	21,2	12,4	41,2	39,3	SK 83 - 225 MP/4	682	C93
	61	7056	1,1	24,42	16,3	11,5	37,4	39,3			
	53	8101	1,0	28,03	10,4	10,5	33	39			
	46	9412	0,9	32,52	1,7	9	27	38,4			

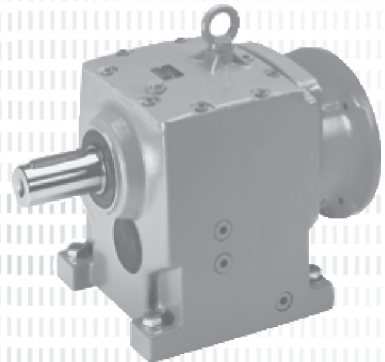
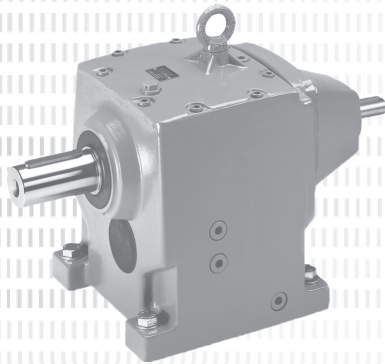
45,0 kW
55,0 kW



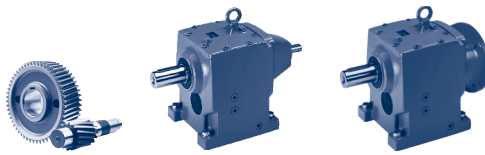
P_1 [kW]	n_2 [r/min]	M_2 [Nm]	f_B	i_{total}	F_R [kN]	F_A	$F_{R VL}$ [kN]	$F_{A VL}$	Type	kg	mm C94			
45,0	261	1645	4,4	5,68	51,8	23,1	61,9	48,6	SK 92 - 225 MP/4	850	C94			
	221	1941	4,0	6,70	50,9	23,8	63,8	50,5						
	191	2249	2,7	7,78	50	24,5	65,4	52,3						
	141	3038	3,3	10,50	48,3	26,5	70,3	56,8						
	120	3586	3,0	12,39	46,6	27,1	68,8	58,8						
	103	4155	2,6	14,36	44,7	27,6	67,2	60,6						
	90	4765	2,2	16,47	42,5	28	65,4	62,2						
	77	5547	2,2	19,12	39,3	28,2	62,7	63,6	SK 93 - 225 MP/4	861	C95			
	65	6636	1,8	22,97	34,7	28,3	59,1	65,4						
	55	7842	1,6	27,05	29,1	28,2	54,7	66,8						
	48	9040	1,3	31,25	22,7	27,9	50	67,8						
	38	11419	1,1	39,54	6,6	26,9	39,4	68,9						
	32	13494	0,9	46,57	0	25,6	28,5	69,1						
	55,0	197	2664	4,2	7,50	75,2	36,7	78,9	62,4	SK 102 - 250 WP/4	1106	C96		
169		3099	4,2	8,73	74,2	37,8	81,6	64,6						
149		3529	4,3	9,96	73,9	39,6	85,3	67,5						
125		4205	3,8	11,88	72,4	41	88,7	70,3						
104		5070	3,3	14,29	70,2	42,5	92,3	73,2						
89		5896	2,9	16,63	68,1	43,6	95,2	75,5						
76		6869	2,4	19,37	65,4	44,6	97,9	77,8						
70		7531	2,7	21,19	63	44,7	97,7	78,5	SK 103 - 250 WP/4	1115	C97			
58		8990	2,2	25,30	58,3	45,5	95,5	80,8						
50		10512	1,9	29,62	52,9	46	91,1	82,6						
39		13475	1,5	37,90	40,8	46,2	81,5	84,9						
33		16085	1,2	45,25	27,5	45,8	72	86						
28		18809	1,1	52,98	9,7	45	60,7	86,4						
24		21559	0,9	60,71	0	43,8	47,6	86,2						
21		24989	0,8	70,38	0	42	28	85,5						
510		1029	3,0	2,89	28,4	11,4	37	27,5	SK 82 - 250 WP/4	709	C92			
407		1291	3,1	3,62	29,4	11,8	38,8	28,8						
333		1578	2,8	4,43	30,1	12	40,4	30						
279		1883	2,5	5,29	30,5	12,2	41,7	31						
239		2202	2,0	6,19	30,8	12,2	42,7	31,8						
200		2627	2,4	7,39	32,4	12,9	45	33,5						
167		3136	2,1	8,82	32,5	12,8	46,1	34,4						
143		3668	1,9	10,33	31,2	12,6	46,9	35,1						
125		4204	1,7	11,84	29,2	12,4	46,4	35,5						
104		5070	1,3	14,29	25,9	12	45,1	36,2						
89		5876	1,1	16,56	22,3	11,4	42,2	36,4						
420		1249	4,5	3,51	45,6	20,4	54,7	42,6				SK 92 - 250 WP/4	885	C94
260		2017	3,6	5,68	50,3	22,4	59,8	47,7						
221		2380	3,3	6,70	49,6	23	61,3	49,5						
190		2758	2,2	7,78	48,3	23,5	62,6	51						
141	3726	2,7	10,50	46,1	25,3	67,2	55,3							
119	4397	2,4	12,39	43,8	25,7	66,5	57,1							
103	5095	2,1	14,36	41,3	26	64,4	58,6							
90	5843	1,8	16,47	38,4	26,2	62	59,9							
77	6802	1,8	19,12	34	26	58,5	60,9	SK 93 - 250 WP/4	896	C95				
65	8138	1,5	22,97	27,6	25,7	53,5	62,1							
55	9617	1,3	27,05	19,2	25,1	47,6	62,9							
47	11086	1,1	31,25	9,2	24,3	41	63,3							
38	14004	0,9	39,54	0	22,3	25,5	63,2							

UNICASE™
Helical gear units

UNICASE™ Helical gear units



SK 03 SK 02



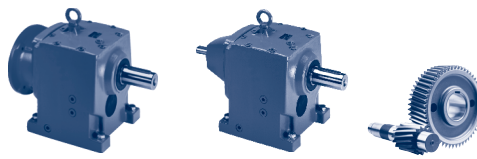
	i_{Total}	n_2 $n_1 =$ 1400r/min [r/min]	M_{2max} $f_B = 1$ [Nm]	W			IEC							
				P_{1max}			$f_B \Rightarrow$ C4 - 52							
				$n_1 =$ 1400r/min [kW]	$n_1 =$ 930r/min [kW]	$n_1 =$ 700r/min [kW]	IEC 63		IEC 71					
SK 03	313,11	4,5	89	0,04	0,03	0,02	*	*						
W	274,28	5,1	89	0,05	0,03	0,02	*	*						
+	212,47	6,6	106	0,07	0,05	0,04	*	*						
IEC	170,75	8,2	108	0,09	0,06	0,05	*	*						
$\frac{H}{mm}$	124,62	11	106	0,12	0,08	0,06	*	*						
\Rightarrow $\frac{H}{mm}$	104,77	13	95	0,13	0,09	0,06	*	*						
\Rightarrow $\frac{H}{mm}$	81,50	17	106	0,19	0,12	0,09	*	*						
C100, C107	65,50	21	110	0,24	0,16	0,12	*	*						

UNICASE™
Helical gear units

	i_{Total}	n_2 $n_1 =$ 1400r/min [r/min]	M_{2max} $f_B = 1$ [Nm]	W			IEC							
				P_{1max}			$f_B \Rightarrow$ C4 - 52							
				$n_1 =$ 1400r/min [kW]	$n_1 =$ 930r/min [kW]	$n_1 =$ 700r/min [kW]	IEC 63	IEC 71	IEC 80	IEC 90				
SK 02	73,06	19	89	0,18	0,12	0,09		*						
W	61,27	23	89	0,21	0,14	0,11		*						
+	53,68	26	89	0,24	0,16	0,12		*						
IEC	41,58	34	99	0,35	0,23	0,18		*						
$\frac{H}{mm}$	33,42	42	96	0,42	0,28	0,21		*						
$\frac{H}{mm}$	29,61	47	92	0,45	0,30	0,23		*						
$\frac{H}{mm}$	27,52	51	87	0,46	0,31	0,23		*						
$\frac{H}{mm}$	24,39	57	89	0,53	0,35	0,27		*						
$\frac{H}{mm}$	23,13	61	78	0,50	0,33	0,25		*						
C100, C106	20,59	68	74	0,53	0,35	0,26		*	*					
	15,95	88	72	0,66	0,44	0,33		*	*					
	12,82	109	70	0,80	0,53	0,40		*	*					
	11,27	124	67	0,87	0,57	0,43		*	*					
	9,95	141	64	0,94	0,62	0,47		*	*					
	9,28	151	65	1,03	0,68	0,51		*	*					
	8,19	171	63	1,13	0,74	0,56		*	*					
	7,80	179	63	1,18	0,78	0,59		*	*					
	6,89	203	61	1,30	0,86	0,65		*	*					
	6,10	230	57	1,37	0,91	0,68		*	*					
	5,57	251	57	1,50	0,99	0,75		*	*					
	4,82	290	57	1,50	0,99	0,75		*	*					
	4,22	332	52	1,50	0,99	0,75		*	*					
	3,89	360	53	1,50	0,99	0,75		*	*					
	3,38	414	51	1,50	0,99	0,75		*	*					
	2,95	475	46	1,50	0,99	0,75		*	*					

* Caution, do not exceed the maximum drive power P_{1max} according to the Typ W column.

$\frac{kg}{kg}$	W	IEC 63	IEC 71	IEC 80	IEC 90
SK 03	16	17	18	-	-
SK 02	12	13	14	17	17



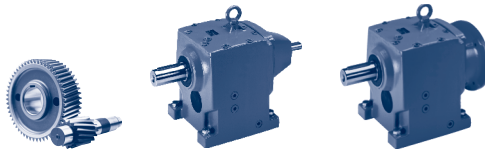
	i_{Total}	n_2 $n_1 =$ 1400r/min [r/min]	M_{2max} $f_B = 1$ [Nm]	W			IEC							
				P_{1max}			$f_B \Rightarrow$ C4 - 52							
				$n_1 =$ 1400r/min [kW]	$n_1 =$ 930r/min [kW]	$n_1 =$ 700r/min [kW]	IEC 63	IEC 71	IEC 80	IEC 90				
SK 12/02	2798,93	0,50	180	0,05	0,03	0,02	*	*						
	2056,68	0,68	180	0,05	0,03	0,03	*	*						
	1592,93	0,88	180	0,06	0,04	0,03	*	*						
W	1280,32	1,1	180	0,06	0,04	0,03	*	*						
+ IEC	1054,29	1,3	180	0,06	0,04	0,03	*	*						
	886,11	1,6	180	0,07	0,05	0,04	*	*						
	619,86	2,3	180	0,08	0,06	0,04	*	*						
$\frac{H}{mm}$	537,49	2,6	180	0,09	0,06	0,04	*	*	*	*				
	431,75	3,2	180	0,10	0,07	0,05	*	*	*	*				
\Rightarrow C100, C106	339,81	4,1	180	0,12	0,08	0,06	*	*	*	*				
	263,96	5,3	180	0,14	0,09	0,07	*	*	*	*				
	213,39	6,6	180	0,16	0,11	0,08	*	*	*	*				
	165,77	8,4	180	0,20	0,13	0,10		*	*	*				
	133,23	11	164	0,23	0,15	0,11		*	*	*				
	109,66	13	164	0,26	0,17	0,13		*	*	*				
	92,89	15	164	0,30	0,20	0,15		*	*	*				
SK 13	420,83	3,3	167	0,06	0,04	0,03	IEC 63	IEC 71						
	369,34	3,8	176	0,07	0,05	0,04	*	*						
W	313,48	4,5	167	0,08	0,05	0,04	*	*						
+ IEC	275,12	5,1	176	0,09	0,06	0,05	*	*						
	244,62	5,7	177	0,11	0,07	0,05	*	*						
	195,78	7,2	194	0,15	0,10	0,07	*	*						
$\frac{H}{mm}$	159,36	8,8	167	0,15	0,10	0,08	*	*						
	132,45	11	148	0,17	0,11	0,09	*	*						
\Rightarrow C100, C107	108,72	13	177	0,24	0,16	0,12		*						
	85,47	16	176	0,29	0,19	0,15		*						
	68,40	20	196	0,37	0,24	0,19		*						

UNICASE™
Helical gear units

* Caution, do not exceed the maximum drive power P_{1max} according to the Typ W column.

kg	W	IEC 63	IEC 71	IEC 80	IEC 90
SK 12/02	22	23	24	27	27
SK 13	19	20	21	-	-

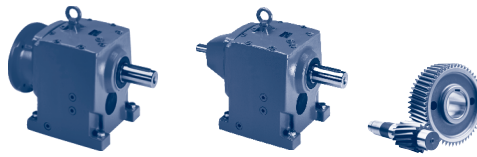
SK 12



	i_{Total}	n_2 $n_1 =$ 1400r/min [r/min]	M_{2max} $f_B = 1$ [Nm]	W			IEC									
				P_{1max}			$f_B \Rightarrow$ C4 - 52									
				$n_1 =$ 1400r/min [kW]	$n_1 =$ 930r/min [kW]	$n_1 =$ 700r/min [kW]	IEC 63	IEC 71	IEC 80	IEC 90	IEC 100	IEC 112				
SK 12	72,63	19	139	0,28	0,18	0,14		*								
	61,35	23	154	0,37	0,24	0,19										
	53,84	26	176	0,48	0,32	0,24										
W	47,87	29	177	0,54	0,35	0,27				*	*					
+	43,09	32	162	0,54	0,36	0,27										
IEC	38,31	37	184	0,71	0,47	0,36					*					
	35,07	40	149	0,62	0,41	0,31										
	31,19	45	165	0,78	0,51	0,39					*					
	29,15	48	124	0,62	0,41	0,31										
	25,92	54	137	0,77	0,51	0,39					*					
	21,28	66	167	1,15	0,76	0,58					*					
	18,79	75	161	1,26	0,83	0,63										
	16,73	84	154	1,35	0,89	0,68							*	*		
	13,39	105	149	1,64	1,08	0,82							*	*		
	10,70	131	134	1,84	1,21	0,92							*	*		
	9,65	145	135	2,05	1,35	1,02							*	*		
	7,85	178	131	2,44	1,61	1,22							*	*		
	7,28	192	124	2,49	1,65	1,25								*		
	6,53	214	126	2,82	1,86	1,41								*		
	5,79	242	122	3,09	2,04	1,55								*		
	4,93	284	116	3,45	2,28	1,72								*		
	4,49	312	118	3,86	2,54	1,93										
	4,32	324	112	3,80	2,51	1,90										
	3,98	352	114	4,00	2,64	2,00										
	3,39	413	109	4,00	2,64	2,00										
	2,96	473	105	4,00	2,64	2,00										

* Caution, do not exceed the maximum drive power P_{1max} according to the Typ W column.

	W	IEC 63	IEC 71	IEC 80	IEC 90	IEC 100	IEC 112
SK 12	14	15	16	19	19	26	26



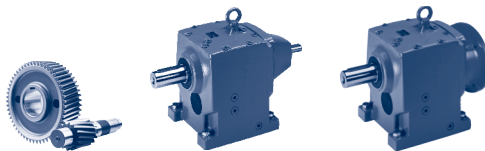
	i_{Total}	n_2 $n_1 =$ 1400r/min [r/min]	M_{2max} $f_B = 1$ [Nm]	W			IEC							
				P_{1max}			$f_B \Rightarrow$ C4 - 52							
				$n_1 =$ 1400r/min [kW]	$n_1 =$ 930r/min [kW]	$n_1 =$ 700r/min [kW]	IEC 63	IEC 71	IEC 80	IEC 90				
SK 22/02	2534,45	0,55	340	0,06	0,04	0,03	*	*						
	2125,46	0,66	340	0,06	0,04	0,03	*	*						
	1780,46	0,79	340	0,07	0,04	0,03	*	*						
W	1442,41	0,97	340	0,07	0,05	0,04	*	*						
+ IEC	1159,34	1,2	340	0,08	0,05	0,04	*	*						
	881,66	1,6	340	0,10	0,06	0,05	*	*	*	*				
	682,98	2,0	340	0,11	0,07	0,06	*	*	*	*				
$\frac{H}{mm}$	553,31	2,5	340	0,13	0,09	0,06	*	*	*	*				
	444,73	3,1	340	0,15	0,10	0,08	*	*	*	*				
\Rightarrow C4	345,17	4,1	340	0,19	0,12	0,09		*	*	*				
C100, C106	284,11	4,9	340	0,21	0,14	0,11		*	*	*				
	239,01	5,9	340	0,25	0,17	0,13		*	*	*				
	167,21	8,4	340	0,34	0,22	0,17		*	*	*				
	134,94	10	340	0,40	0,26	0,20			*	*				
	117,25	12	340	0,47	0,31	0,23			*	*				
SK 23	516,65	2,7	274	0,08	0,05	0,04		IEC 63	IEC 71	IEC 80	IEC 90			
	417,95	3,3	340	0,12	0,08	0,06	*	*						
	323,70	4,3	340	0,15	0,10	0,08	*	*						
W	262,24	5,3	340	0,19	0,12	0,09		*						
+ IEC	217,73	6,4	340	0,23	0,15	0,11		*						
	179,50	7,8	312	0,25	0,17	0,13		*						
	151,44	9,2	294	0,28	0,19	0,14		*						
$\frac{H}{mm}$	124,17	11	340	0,39	0,26	0,20				*	*			
	100,60	14	340	0,50	0,33	0,25				*	*			
\Rightarrow C4	88,45	16	340	0,57	0,38	0,28				*	*			
C100, C109	78,05	18	340	0,64	0,42	0,32				*	*			
	64,80	22	340	0,75	0,50	0,38				*	*			

UNICASE™
Helical gear units

* Caution, do not exceed the maximum drive power P_{1max} according to the Typ W column.

	W	IEC 63	IEC 71	IEC 80	IEC 90
SK 22/02	35	36	37	40	40
SK 23	31	32	33	36	36

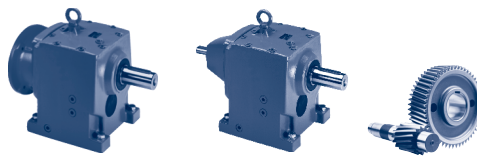
SK 22



	i_{Total}	n_2 $n_1 =$ 1400r/min [r/min]	M_{2max} $f_B = 1$ [Nm]	W			IEC								
				P_{1max}			$f_B \Rightarrow$ C4 - 52								
				$n_1 =$ 1400r/min [kW]	$n_1 =$ 930r/min [kW]	$n_1 =$ 700r/min [kW]	IEC 71	IEC 80	IEC 90	IEC 100	IEC 112				
SK 22	86,30	16	250	0,42	0,28	0,21		*							
	55,28	25	320	0,84	0,55	0,42			*						
	45,90	31	292	0,95	0,63	0,47			*						
W	42,82	33	340	1,17	0,78	0,59			*						
+	35,55	39	330	1,35	0,89	0,67			*						
IEC	34,69	40	340	1,42	0,94	0,71			*	*	*				
	29,31	48	292	1,47	0,97	0,73			*						
	28,80	49	374	1,92	1,27	0,96				*	*				
	24,73	57	246	1,47	0,97	0,73			*						
	23,74	59	326	2,01	1,33	1,01				*	*				
C101, C108	20,03	70	285	2,09	1,38	1,04				*	*				
	16,75	84	339	2,98	1,97	1,49				*	*				
	14,69	95	337	3,35	2,21	1,68					*	*			
	12,20	115	329	3,96	2,61	1,98						*	*		
	10,89	129	317	4,00	2,64	2,00									
	8,48	165	259	4,00	2,64	2,00									
	7,57	185	246	4,00	2,64	2,00									
	6,86	204	255	4,00	2,64	2,00									
	6,51	215	228	4,00	2,64	2,00									
	5,79	242	215	4,00	2,64	2,00									
	5,18	270	159	4,00	2,64	2,00									
	4,62	303	150	4,00	2,64	2,00									
	3,97	353	139	4,00	2,64	2,00									
	3,53	397	131	4,00	2,64	2,00									
	2,79	502	115	4,00	2,64	2,00									

* Caution, do not exceed the maximum drive power P_{1max} according to the Typ W column.

	W	IEC 71	IEC 80	IEC 90	IEC 100	IEC 112
SK 22	29	27	31	31	35	35



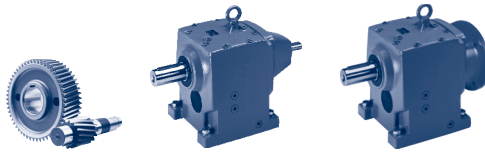
	i_{Total}	n_2 $n_1 =$ 1400r/min [r/min]	M_{2max} $f_B = 1$ [Nm]	W			IEC							
				P_{1max}			$f_B \Rightarrow$ C4 - 52							
				$n_1 =$ 1400r/min [kW]	$n_1 =$ 930r/min [kW]	$n_1 =$ 700r/min [kW]	IEC 63	IEC 71	IEC 80	IEC 90	IEC 100	IEC 112		
SK 32/12	2704,02	0,52	620	0,07	0,05	0,04	*	*						
	2004,46	0,70	620	0,09	0,06	0,04	*	*						
	1604,24	0,87	620	0,10	0,06	0,05	*	*						
W	1305,66	1,1	620	0,11	0,07	0,06	*	*						
+ IEC	1080,05	1,3	620	0,12	0,08	0,06	*	*	*	*				
	869,04	1,6	620	0,14	0,09	0,07	*	*	*	*				
	699,55	2,0	620	0,17	0,11	0,08	*	*	*	*				
	554,68	2,5	620	0,20	0,13	0,10		*	*	*	*	*	*	
	446,31	3,1	620	0,24	0,16	0,12		*	*	*	*	*	*	
	363,06	3,9	620	0,29	0,19	0,15		*	*	*	*	*	*	
C100, C106	267,79	5,2	620	0,38	0,25	0,19			*	*	*	*	*	
	215,56	6,5	620	0,46	0,30	0,23			*	*	*	*	*	
	167,16	8,4	620	0,59	0,39	0,29			*	*	*	*	*	
	148,18	9,4	620	0,65	0,43	0,33			*	*	*	*	*	
	126,21	11	620	0,75	0,50	0,38				*	*	*	*	
	82,39	17	620	1,10	0,73	0,55				*	*	*	*	
SK 33N	740,37	1,9	570	0,11	0,07	0,06	IEC 63	IEC 71	IEC 80	IEC 90	IEC 100	IEC 112		
W	662,81	2,1	560	0,12	0,08	0,06	*	*						
+ IEC	585,41	2,4	634	0,16	0,11	0,08	*	*						
	524,08	2,7	672	0,19	0,13	0,09		*						
	421,32	3,3	672	0,23	0,15	0,12		*						
	339,15	4,1	651	0,28	0,18	0,14		*						
	248,17	5,6	672	0,39	0,26	0,20								
	207,10	6,8	672	0,48	0,32	0,24			*	*				
C100, C109	166,49	8,4	672	0,59	0,39	0,30			*	*				
	134,02	10	651	0,68	0,45	0,34			*	*				
	112,18	12	548	0,69	0,45	0,34			*	*				
	88,18	16	537	0,90	0,59	0,45				*	*	*	*	

UNICASE™
Helical gear units

* Caution, do not exceed the maximum drive power P_{1max} according to the Typ W column.

	W	IEC 63	IEC 71	IEC 80	IEC 90	IEC 100	IEC 112
SK 32/12	40	49	50	53	53	60	60
SK 33N	27	44	45	48	48	55	55

SK 32

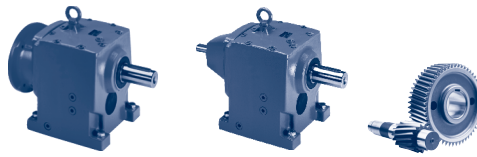


	i_{Total}	n_2 $n_1 =$ 1400r/min [r/min]	M_{2max} $f_B = 1$ [Nm]	W			IEC							
				P_{1max}			$f_B \Rightarrow$ C4 - 52							
				$n_1 =$ 1400r/min [kW]	$n_1 =$ 930r/min [kW]	$n_1 =$ 700r/min [kW]	IEC 71	IEC 80	IEC 90	IEC 100	IEC 112	IEC 132		
SK 32	81,27	17	515	0,92	0,61	0,46			*					
W	72,76	19	560	1,11	0,74	0,56			*					
+	64,26	22	640	1,47	0,97	0,74			*					
IEC	57,53	24	613	1,54	1,02	0,77								
	46,31	30	533	1,67	1,11	0,84								
	46,25	30	672	2,11	1,39	1,06				*	*			
$\frac{I}{mm}$	38,76	36	446	1,68	1,11	0,84								
	37,23	38	589	2,34	1,55	1,17				*	*			
\Rightarrow	33,05	42	380	1,67	1,10	0,84								
C101, C108	31,16	45	512	2,41	1,59	1,21				*	*			
	30,43	46	639	3,08	2,03	1,54					*			
	27,24	51	602	3,21	2,12	1,61					*			
	26,57	53	436	2,42	1,60	1,21				*	*			
	23,12	61	630	4,02	2,66	2,01								
	20,70	68	658	4,69	3,09	2,34								
	18,67	75	631	4,96	3,27	2,48								
	16,66	84	530	4,66	3,08	2,33								
	16,25	86	639	5,75	3,80	2,88							*	
	15,03	93	508	4,95	3,27	2,47								
	14,55	96	672	6,76	4,46	3,38							*	
	11,71	120	710	8,92	5,89	4,46							*	
	9,80	143	647	9,20	6,07	4,60								
	7,90	177	655	9,20	6,07	4,60								
	6,74	208	604	9,20	6,07	4,60								
	5,70	246	604	9,20	6,07	4,60								
	5,50	255	448	9,20	6,07	4,60								
	5,28	265	639	9,20	6,07	4,60								
	4,43	316	463	9,20	6,07	4,60								
	3,75	373	459	9,20	6,07	4,60								
	2,96	473	436	9,20	6,07	4,60								

* Caution, do not exceed the maximum drive power P_{1max} according to the Typ W column.

UNICASE™
Helical gear units

$\frac{kg}{kg}$	W	IEC 71	IEC 80	IEC 90	IEC 100	IEC 112	IEC 132
SK 32	40	38	42	42	46	46	55



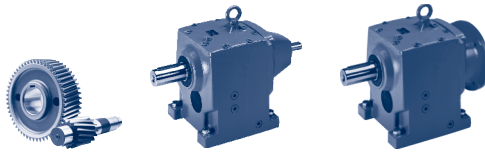
	i_{Total}	n_2 $n_1 =$ 1400r/min [r/min]	M_{2max} $f_B = 1$ [Nm]	W			IEC							
				P_{1max}			$f_B \Rightarrow$ C4 - 52							
				$n_1 =$ 1400r/min [kW]	$n_1 =$ 930r/min [kW]	$n_1 =$ 700r/min [kW]	IEC 63	IEC 71	IEC 80	IEC 90	IEC 100	IEC 112		
SK 42/12	2560,21	0,55	1200	0,11	0,07	0,05	*	*						
	2163,20	0,65	1200	0,12	0,08	0,06	*	*						
	1561,55	0,90	1200	0,15	0,10	0,08	*	*						
W	1393,38	1,0	1200	0,17	0,11	0,08	*	*						
+ IEC	1114,65	1,3	1200	0,20	0,13	0,10		*						
	750,33	1,9	1200	0,28	0,18	0,14		*	*	*				
	670,81	2,1	1200	0,30	0,20	0,15		*	*	*				
$\frac{H}{mm}$	550,73	2,5	1200	0,35	0,23	0,18		*	*	*				
	433,49	3,2	1200	0,44	0,29	0,22			*	*	*	*	*	*
\Rightarrow C100, C106	346,53	4,0	1200	0,54	0,36	0,27			*	*	*	*	*	*
	276,92	5,1	1200	0,68	0,45	0,34			*	*	*	*	*	*
	230,05	6,1	1200	0,77	0,51	0,38				*	*	*	*	*
	169,00	8,3	1200	1,04	0,69	0,52				*	*	*	*	*
	140,40	10	1200	1,26	0,83	0,63				*	*	*	*	*
	116,20	12	1200	1,51	1,00	0,75					*	*	*	*
	87,73	16	1200	2,01	1,33	1,01					*	*	*	*
SK 43	1071,82	1,3	960	0,13	0,09	0,07			IEC 63	IEC 71	IEC 80	IEC 90	IEC 100	IEC 112
	868,02	1,6	860	0,14	0,10	0,07			*	*	*			
W	764,03	1,8	1031	0,19	0,13	0,10			*	*	*			
+ IEC	618,76	2,3	1112	0,27	0,18	0,13			*	*	*			
	528,37	2,6	990	0,27	0,18	0,13			*	*	*			
	421,11	3,3	1186	0,41	0,27	0,20				*	*			
$\frac{H}{mm}$	359,59	3,9	1286	0,53	0,35	0,26				*	*			
	298,80	4,7	1118	0,55	0,36	0,28				*	*			
\Rightarrow C100, C111	278,51	5,0	1279	0,67	0,44	0,33				*	*			
	263,93	5,3	1267	0,70	0,46	0,35				*	*			
	231,43	6	1116	0,70	0,46	0,35				*	*			
	219,32	6,4	1200	0,80	0,53	0,40				*	*			
	204,42	6,8	1289	0,92	0,61	0,46				*	*			
	182,76	7,7	1017	0,82	0,54	0,41				*	*			
	169,86	8,2	1166	1,00	0,66	0,50				*	*			
	141,55	9,9	1053	1,09	0,72	0,55				*	*			
	129,38	11	1240	1,43	0,94	0,71				*	*	*		
	107,51	13	1116	1,52	1,00	0,76				*	*	*		
	94,96	15	1240	1,95	1,29	0,97				*	*	*		
	79,96	18	1230	2,32	1,53	1,16				*	*	*		
	70,12	20	1260	2,64	1,74	1,32				*	*	*		
	58,27	24	1166	2,93	1,93	1,47				*	*	*		
	48,56	29	1045	3,17	2,09	1,59				*	*	*		
	40,98	34	1041	3,71	2,45	1,85				*	*	*		

* Caution, do not exceed the maximum drive power P_{1max} according to the Typ W column.

$\frac{kg}{kg}$	W	IEC 63	IEC 71	IEC 80	IEC 90	IEC 100	IEC 112
SK 42/12	65	66	67	70	70	77	77
SK 43	70	-	68	72	72	76	76

UNICASE™
Helical gear units

SK 42

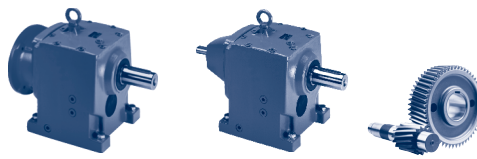


	i_{Total}	n_2 $n_1 =$ 1400r/min [r/min]	M_{2max} $f_B = 1$ [Nm]	W			IEC								
				P_{1max}			$f_B \Rightarrow$ C4 - 52								
				$n_1 =$ 1400r/min [kW]	$n_1 =$ 930r/min [kW]	$n_1 =$ 700r/min [kW]	IEC 90	IEC 100	IEC 112	IEC 132	AI 160				
SK 42	105,08	13	862	1,17	0,77	0,59	*								
	85,10	16	796	1,33	0,88	0,67	*								
	74,87	19	1080	2,15	1,42	1,07		*	*						
W	60,66	23	1004	2,42	1,60	1,21		*	*						
+	50,98	27	1098	3,10	2,05	1,55			*	*					
IEC, AI	41,29	34	1186	4,22	2,79	2,11				*					
	35,25	40	1228	5,14	3,39	2,57				*					
$\frac{1}{mm}$	30,46	46	1078	5,19	3,43	2,60									
\Rightarrow	29,29	48	1021	5,13	3,39	2,57				*					
C102, C110	25,88	54	1243	7,03	4,64	3,51				*					
	24,67	57	891	5,32	3,51	2,66									
	24,41	57	858	5,12	3,38	2,56			*						
	21,87	64	1096	7,34	4,85	3,67				*	*				
	21,50	65	1163	7,92	5,22	3,96				*					
	17,92	78	998	8,15	5,38	4,08				*					
	17,71	79	1186	9,81	6,48	4,91					*				
	15,12	93	1244	12,11	8,00	6,06					*				
	14,38	97	1158	11,76	7,76	5,88					*				
	12,28	114	1196	14,28	9,42	7,14					*				
	10,20	137	1167	15,00	9,90	7,50									
	8,50	165	1076	15,00	9,90	7,50									
	7,28	192	1076	15,00	9,90	7,50									
	6,65	210	1163	15,00	9,90	7,50				*	*				
	6,19	226	1075	15,00	9,90	7,50									
	5,35	262	817	15,00	9,90	7,50									
	5,10	275	984	15,00	9,90	7,50				*	*				
	4,58	306	772	15,00	9,90	7,50									
	3,89	360	700	15,00	9,90	7,50									
	3,50	400	665	15,00	9,90	7,50									
	3,21	436	620	15,00	9,90	7,50									
	3,02	464	604	15,00	9,90	7,50									

* Caution, do not exceed the maximum drive power P_{1max} according to the Typ W column.

UNICASE™
Helical gear units

kg	W	IEC 90	IEC 100	IEC 112	IEC 132	AI 160
SK 42	65	60	67	67	81	80



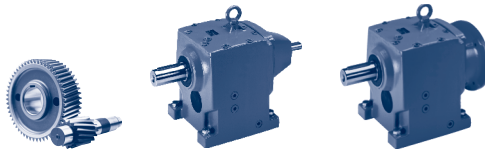
	i_{Total}	n_2 $n_1 =$ 1400r/min [r/min]	M_{2max} $f_B = 1$ [Nm]	W			IEC							
				P_{1max}			$f_B \Rightarrow$ C4 - 52							
				$n_1 =$ 1400r/min [kW]	$n_1 =$ 930r/min [kW]	$n_1 =$ 700r/min [kW]	IEC 63	IEC 71	IEC 80	IEC 90	IEC 100	IEC 112		
SK 52/12	2632,78	0,53	1830	0,14	0,09	0,07	*	*						
	2107,10	0,66	1830	0,17	0,11	0,08	*	*						
	1714,92	0,82	1830	0,20	0,13	0,10	*	*						
W	1425,44	0,98	1830	0,23	0,15	0,11		*						
+ IEC	1144,36	1,2	1830	0,27	0,18	0,13		*	*	*				
	918,83	1,5	1830	0,33	0,22	0,16		*	*	*				
	689,41	2,0	1830	0,42	0,28	0,21			*	*				
$\frac{H}{mm}$	542,09	2,6	1830	0,54	0,36	0,27			*	*				
	491,28	2,8	1830	0,58	0,38	0,29			*	*	*	*		
\Rightarrow C100, C106	354,06	4,0	1830	0,77	0,51	0,38				*	*	*	*	
	283,13	4,9	1830	0,94	0,62	0,47				*	*	*	*	
	219,56	6,4	1830	1,23	0,81	0,61				*	*	*	*	
	194,62	7,2	1830	1,38	0,91	0,69				*	*	*	*	
	146,03	9,6	1830	1,84	1,21	0,92				*	*	*	*	
	124,38	11	1830	2,11	1,39	1,05				*	*	*	*	
	97,80	14	1830	2,68	1,77	1,34				*	*	*	*	
SK 53	728,20	1,9	1595	0,32	0,21	0,16								
	607,30	2,3	1882	0,45	0,30	0,23				*	*			
W	548,89	2,6	1911	0,52	0,34	0,26				*	*			
+ IEC	498,82	2,8	1920	0,56	0,37	0,28				*	*			
	392,20	3,6	1823	0,69	0,45	0,34				*	*			
	374,25	3,7	1920	0,74	0,49	0,37				*	*			
$\frac{H}{mm}$	294,26	4,8	2227	1,12	0,74	0,56				*	*			
	245,56	5,7	1859	1,11	0,73	0,55				*	*			
\Rightarrow C101, C111	236,21	5,9	1920	1,19	0,78	0,59				*	*	*	*	
	185,72	7,5	1820	1,43	0,94	0,71				*	*	*	*	
	177,22	7,9	1920	1,59	1,05	0,79				*	*	*	*	
	139,34	10	2232	2,34	1,54	1,17				*	*	*	*	
	105,87	13	2224	3,03	2,00	1,51				*	*	*	*	
	95,49	15	2231	3,50	2,31	1,75				*	*	*	*	
	79,69	18	1862	3,51	2,32	1,75				*	*	*	*	
	65,35	21	1920	4,00	2,64	2,00				*	*	*	*	
	58,94	24	1920	4,00	2,64	2,00				*	*	*	*	

* Caution, do not exceed the maximum drive power P_{1max} according to the Typ W column.

UNICASE™
Helical gear units

kg	W	IEC 63	IEC 71	IEC 80	IEC 90	IEC 100	IEC 112
SK 52/12	94	65	96	99	99	106	106
SK 53	103	-	101	105	105	109	109

SK 52

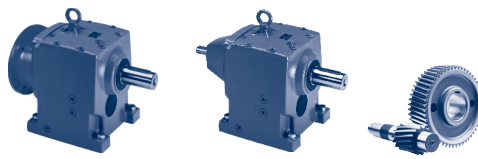


	i_{Total}	n_2 $n_1 =$ 1400r/min [r/min]	M_{2max} $f_B = 1$ [Nm]	W			IEC									
				P_{1max}			$f_B \Rightarrow$ C4 - 52									
				$n_1 =$ 1400r/min [kW]	$n_1 =$ 930r/min [kW]	$n_1 =$ 700r/min [kW]	IEC 90	IEC 100	IEC 112	IEC 132	AI 160	AI 180				
SK 52	86,92	16	1721	2,88	1,90	1,44		*	*							
	78,56	18	1596	3,01	1,99	1,50			*							
	71,39	20	1588	3,33	2,19	1,66			*							
W	59,54	24	1893	4,76	3,14	2,38					*					
+	53,81	26	1911	5,20	3,43	2,60					*					
IEC, AI	48,90	29	1920	5,83	3,85	2,92					*					
	40,37	35	1911	7,00	4,62	3,50					*					
$\frac{H}{mm}$	38,45	36	1668	6,29	4,15	3,14					*					
	36,03	39	1394	5,69	3,76	2,85										
\Rightarrow C102, C110	36,69	38	1920	7,64	5,04	3,82					*					
	32,56	43	1260	5,67	3,74	2,84					*					
	32,09	44	1393	6,42	4,24	3,21					*					
	28,85	49	2024	10,38	6,85	5,19										
	26,46	53	1893	10,51	6,93	5,25							*			
	24,07	58	1689	10,26	6,77	5,13										
	23,92	59	1911	11,81	7,79	5,90							*			
	21,68	65	1893	12,88	8,50	6,44							*			
	19,60	71	1911	14,21	9,38	7,10							*			
	17,81	79	1920	15,88	10,48	7,94										
	14,00	100	1920	20,10	13,27	10,05										
	13,45	104	1851	20,16	13,30	10,08									*	
	10,58	132	1761	22,00	14,52	11,00										
	8,83	159	1676	22,00	14,52	11,00										
	7,27	193	1565	22,00	14,52	11,00										
	6,42	218	1498	22,00	14,52	11,00										
	5,60	250	1170	22,00	14,52	11,00										
	4,61	304	1195	22,00	14,52	11,00										
	4,08	343	1127	22,00	14,52	11,00										
	3,67	381	1057	22,00	14,52	11,00										
	3,40	412	1009	22,00	14,52	11,00										
	3,23	433	959	22,00	14,52	11,00										
	2,78	504	888	22,00	14,52	11,00										

* Caution, do not exceed the maximum drive power P_{1max} according to the Typ W column.

UNICASE™
Helical gear units

kg	W	IEC 90	IEC 100	IEC 112	IEC 132	AI 160	AI 180
SK 52	94	89	96	96	110	109	109



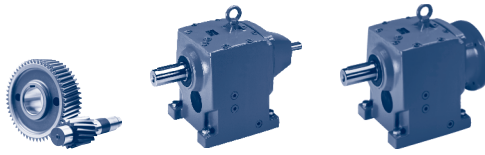
	i_{Total}	n_2 $n_1 =$ 1400r/min [r/min]	M_{2max} $f_B = 1$ [Nm]	W			IEC							
				P_{1max}			$f_B \Rightarrow C4 - 52$							
				$n_1 =$ 1400r/min [kW]	$n_1 =$ 930r/min [kW]	$n_1 =$ 700r/min [kW]	IEC 63	IEC 71	IEC 80	IEC 90				
SK 63/23	13304,45	0,11	3200	0,08	0,05	0,04	*	*						
	11045,44	0,13	3200	0,08	0,06	0,04	*	*						
	8150,78	0,17	3200	0,10	0,06	0,05	*	*						
W	6683,37	0,21	3200	0,11	0,07	0,06	*	*	*	*				
+	5393,14	0,26	3200	0,13	0,08	0,06	*	*	*	*				
IEC	4369,06	0,32	3200	0,15	0,10	0,07	*	*	*	*				
	3389,71	0,41	3200	0,18	0,12	0,09	*	*	*	*				
$\frac{H}{mm}$	2814,26	0,50	3200	0,21	0,14	0,10	*	*	*	*				
	2161,10	0,65	3200	0,26	0,17	0,13	*	*	*	*				
\Rightarrow	1676,63	0,84	3200	0,32	0,21	0,16	*	*	*	*				
C100, C109	1408,77	0,99	3200	0,37	0,25	0,19			*	*				
	1064,04	1,3	3200	0,48	0,31	0,24			*	*				

	i_{Total}	n_2 $n_1 =$ 1400r/min [r/min]	M_{2max} $f_B = 1$ [Nm]	W			IEC						
				P_{1max}			$f_B \Rightarrow C4 - 52$						
				$n_1 =$ 1400r/min [kW]	$n_1 =$ 930r/min [kW]	$n_1 =$ 700r/min [kW]	IEC 63	IEC 71	IEC 80	IEC 90	IEC 100	IEC 112	
SK 63/22	849,73	1,6	3200	0,58	0,38	0,29			*	*	*	*	
	727,45	1,9	3200	0,68	0,45	0,34			*	*	*	*	
W	552,45	2,5	3200	0,84	0,55	0,42			*	*	*	*	
+	430,19	3,3	3200	1,11	0,73	0,55			*	*	*	*	
IEC	368,29	3,8	3200	1,27	0,84	0,64			*	*	*	*	
	282,73	5,0	3200	1,68	1,11	0,84				*	*	*	
$\frac{H}{mm}$	224,97	6,2	3200	2,08	1,37	1,04				*	*	*	
	172,85	8,1	3200	2,71	1,79	1,36				*	*	*	
\Rightarrow	153,31	9,1	3200	3,05	2,01	1,52					*	*	

* Caution, do not exceed the maximum drive power P_{1max} according to the Typ W column.

$\frac{m}{kg}$	W	IEC 63	IEC 71	IEC 80	IEC 90	IEC 100	IEC 112
SK 62/23	160	161	162	165	165	-	-
SK 63/22	158	-	156	160	160	164	164

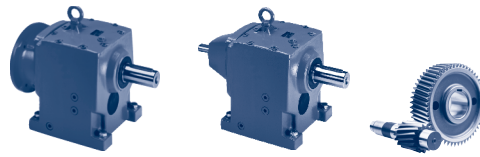
SK 63 SK 62



	i_{Total}	n_2 $n_1 =$ 1400r/min [r/min]	M_{2max} $f_B = 1$ [Nm]	W			IEC													
				P_{1max}			$f_B \Rightarrow$ C4 - 52													
				$n_1 =$ 1400r/min [kW]	$n_1 =$ 930r/min [kW]	$n_1 =$ 700r/min [kW]	IEC 90	IEC 100	IEC 112	IEC 132	AI 160	AI 180								
SK 63 W + IEC, AI C103, C113	372,21	3,8	3200	1,27	0,84	0,64	*													
	300,34	4,7	3200	1,57	1,04	0,79														
	265,32	5,3	3640	2,02	1,33	1,01		*	*											
	214,10	6,5	3640	2,48	1,64	1,24		*	*											
	180,57	7,8	3660	2,99	1,97	1,49		*	*	*										
	145,71	9,6	3700	3,72	2,45	1,86			*	*										
	132,54	11	3700	4,26	2,81	2,13				*										
	107,89	13	3650	4,97	3,28	2,48					*									
	106,95	13	3700	5,04	3,32	2,52					*									
	87,06	16	3200	5,36	3,54	2,68														
	77,46	18	3700	6,97	4,60	3,49				*	*									
	62,87	22	3670	8,45	5,58	4,23				*	*									
	53,82	26	3700	10,07	6,65	5,04					*									
	50,73	28	3700	10,85	7,16	5,42					*									
	43,43	32	3680	12,33	8,14	6,17					*									
	36,11	39	3690	15,07	9,95	7,53														
	30,91	45	3590	16,92	11,16	8,46														
	26,28	53	3200	17,76	11,72	8,88													*	
	21,98	64	3200	21,45	14,15	10,72													*	
	20,77	67	3200	22,00	14,52	11,00														
17,37	81	3200	22,00	14,52	11,00															
SK 62 W + IEC, AI C103, C112	48,73	29	2510	7,62	5,03	3,81														
	37,05	38	3010	11,98	7,90	5,99				*										
	18,14	77	3077	24,81	16,37	12,40					*	*								
	15,80	89	3004	28,00	18,48	14,00														
	13,92	101	3080	32,57	21,50	16,29														*
	11,59	121	3077	38,99	25,73	19,49														*
	10,55	133	3093	43,08	28,43	21,54														*
	8,78	159	3012	45,00	29,70	22,50														
	7,56	185	3120	45,00	29,70	22,50														
	6,35	220	1930	44,46	29,34	22,23														
	5,29	265	1882	45,00	29,70	22,50														
	4,56	307	2081	45,00	29,70	22,50														
	4,05	346	1885	45,00	29,70	22,50														
	3,91	358	2009	45,00	29,70	22,50														
	3,72	376	2030	45,00	29,70	22,50														
	3,30	424	1980	45,00	29,70	22,50														
	2,97	471	1960	45,00	29,70	22,50														

* Caution, do not exceed the maximum drive power P_{1max} according to the Typ W column.

	W	IEC 90	IEC 100	IEC 112	IEC 132	AI 160	AI 180	AI 200	AI 225
SK 63	149	144	151	151	165	164	164	-	-
SK 62	171	-	159	159	172	186	186	200	215



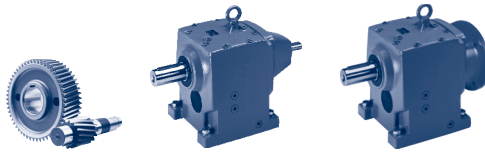
	i_{Total}	n_2 $n_1 =$ 1400r/min [r/min]	M_{2max} $f_B = 1$ [Nm]	W			IEC						
				P_{1max}			$f_B \Rightarrow$ C4 - 52						
				$n_1 =$ 1400r/min [kW]	$n_1 =$ 930r/min [kW]	$n_1 =$ 700r/min [kW]	IEC 63	IEC 71	IEC 80	IEC 90	IEC 100	IEC 112	
SK 73/22	3436,53	0,41	5000	0,25	0,17	0,13		*	*	*			
	2775,11	0,50	5000	0,30	0,20	0,15		*	*	*			
	2194,44	0,64	5000	0,38	0,25	0,19			*	*			
W + IEC	1772,08	0,79	5000	0,45	0,30	0,23			*	*			
	1254,07	1,1	5000	0,62	0,41	0,31			*	*	*	*	
	1099,84	1,3	5000	0,72	0,48	0,36			*	*	*	*	
	888,16	1,6	5000	0,84	0,55	0,42			*	*	*	*	
C101, C108	737,61	1,9	5000	0,99	0,66	0,50			*	*	*	*	
	566,77	2,5	5000	1,31	0,86	0,65			*	*	*	*	
	457,68	3,1	5000	1,62	1,07	0,81				*	*	*	
	345,90	4,0	5000	2,09	1,38	1,05				*	*	*	
	279,33	5,0	5000	2,62	1,73	1,31				*	*	*	
SK 73/32	226,73	6,2	5000	3,25	2,14	1,62						*	*
W + IEC	171,23	8,2	5000	4,29	2,83	2,15							*
	141,11	9,9	5000	5,18	3,42	2,59							*
	124,65	11	5000	5,76	3,80	2,88							*
C101, C108													

* Caution, do not exceed the maximum drive power P_{1max} according to the Typ W column.

UNICASE™
Helical gear units

kg	W	IEC 63	IEC 71	IEC 80	IEC 90	IEC 100	IEC 112	IEC 132
SK 73/22	239	-	237	241	241	245	245	-
SK 73/32	250	-	-	-	252	256	256	265

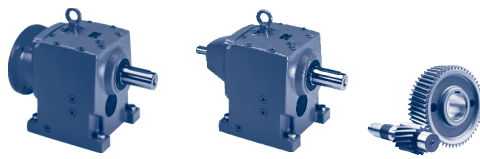
SK 73 SK 72



	i_{Total}	n_2 $n_1 =$ 1400r/min [r/min]	M_{2max} $f_B = 1$ [Nm]	W			IEC											
				P_{1max}			$f_B \Rightarrow$ C4 - 52											
				$n_1 =$ 1400r/min [kW]	$n_1 =$ 930r/min [kW]	$n_1 =$ 700r/min [kW]	IEC 100	IEC 112	IEC 132	AI 160	AI 180	AI 200	AI 225					
SK 73	205,61	6,8	5330	3,80	2,50	1,90		*	*									
	166,03	8,4	5630	4,95	3,27	2,48			*									
	124,57	11	5620	6,47	4,27	3,24			*	*								
W	124,41	11	5000	5,76	3,80	2,88			*									
+	100,46	14	4000	5,68	3,87	2,93			*									
IEC, AI	91,38	15	5330	8,37	5,53	4,19			*									
	74,87	19	5330	10,60	7,00	5,30			*	*								
$\frac{mm}{mm}$	60,46	23	5650	13,61	8,98	6,80			*	*								
	52,24	27	5560	15,72	10,37	7,86			*	*								
\Rightarrow	45,66	31	5370	17,43	11,50	8,72			*	*	*	*	*	*	*	*	*	*
C103, C113	37,63	37	5000	19,37	12,79	9,69			*	*	*	*	*	*	*	*	*	*
	33,24	42	5000	21,99	14,51	10,99			*	*	*	*	*	*	*	*	*	*
	28,32	49	5000	25,65	16,93	12,83			*	*	*	*	*	*	*	*	*	*
	23,34	60	5000	31,41	20,73	15,71			*	*	*	*	*	*	*	*	*	*
	20,62	68	5000	35,60	23,50	17,80			*	*	*	*	*	*	*	*	*	*
	18,00	78	5000	40,84	26,95	20,42			*	*	*	*	*	*	*	*	*	*
SK 72	43,71	32	4050	13,57	8,96	6,79						*	*					
	33,04	42	3217	14,15	9,34	7,07						*	*					
	28,63	49	4053	20,80	13,71	10,40						*	*	*	*			
W	21,64	65	4492	30,57	20,18	15,29						*	*	*	*			
+	21,72	64	4053	27,16	17,93	13,58						*	*	*	*			
IEC, AI	16,86	83	4053	35,23	23,25	17,61						*	*	*	*			
	14,33	98	4053	41,59	27,45	20,80						*	*	*	*			
$\frac{mm}{mm}$	12,52	112	4053	47,53	31,37	23,77						*	*	*	*			
	10,84	129	4677	55,00	36,30	27,50						*	*	*	*			
\Rightarrow	9,46	148	4708	55,00	36,30	27,50						*	*	*	*			
C103, C112	8,19	171	4657	55,00	36,30	27,50						*	*	*	*			
	6,95	201	4292	55,00	36,30	27,50						*	*	*	*			
	6,42	218	2770	55,00	36,30	27,50						*	*	*	*			
	5,60	250	2831	55,00	36,30	27,50						*	*	*	*			
	4,85	289	2910	55,00	36,30	27,50						*	*	*	*			
	4,12	340	2673	55,00	36,30	27,50						*	*	*	*			
	3,86	363	2589	55,00	36,30	27,50						*	*	*	*			
	3,43	408	2423	55,00	36,30	27,50						*	*	*	*			
	3,26	429	2333	55,00	36,30	27,50						*	*	*	*			
	2,76	507	2135	55,00	36,30	27,50						*	*	*	*			

* Caution, do not exceed the maximum drive power P_{1max} according to the Typ W column.

kg	W	IEC 100	IEC 112	IEC 132	AI 160	AI 180	AI 200	AI 225
SK 73	250	238	238	251	265	265	276	293
SK 72	240	-	-	241	255	255	266	283



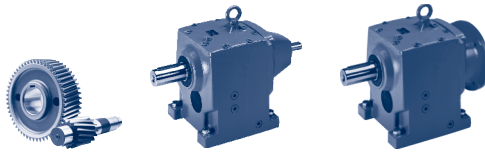
	i_{Total}	n_2 $n_1 =$ 1400r/min [r/min]	M_{2max} $f_B = 1$ [Nm]	W			IEC							
				P_{1max}			$f_B \Rightarrow$ C4 - 52							
				$n_1 =$ 1400r/min [kW]	$n_1 =$ 930r/min [kW]	$n_1 =$ 700r/min [kW]	IEC 63	IEC 71	IEC 80	IEC 90	IEC 100	IEC 112	IEC 132	
SK 83/32	3560,53	0,39	8000	0,37	0,24	0,18			*	*				
W	2866,13	0,49	8000	0,45	0,30	0,23			*	*				
+	2045,46	0,68	8000	0,61	0,40	0,30			*	*				
IEC, AI	1687,12	0,83	8000	0,74	0,49	0,37			*	*	*	*		
mm	1368,62	1,0	8000	0,84	0,55	0,42				*	*	*		
mm	1155,49	1,2	8000	1,01	0,66	0,50				*	*	*		
mm	900,50	1,6	8000	1,34	0,88	0,67				*	*	*	*	
mm	724,73	1,9	8000	1,59	1,05	0,80					*	*	*	*
C102, C108														
SK 83/42	525,40	2,7	8000	2,26	1,49	1,13					*	*	*	*
W	437,84	3,2	8000	2,68	1,77	1,34					*	*	*	*
+	374,99	3,7	8000	3,10	2,05	1,55					*	*	*	*
IEC, AI	275,58	5,1	8000	4,27	2,82	2,14						*	*	*
mm	235,92	5,9	8000	4,94	3,26	2,47						*	*	*
mm	200,37	7,0	8000	5,86	3,87	2,93						*	*	*
mm	148,94	9,4	8000	7,87	5,20	3,94						*	*	*
mm	126,50	11	8000	9,21	6,08	4,61						*	*	*
C102, C110														

UNICASE™
Helical gear units

* Caution, do not exceed the maximum drive power P_{1max} according to the Typ W column.

kg	W	IEC 63	IEC 71	IEC 80	IEC 90	IEC 100	IEC 112	IEC 132	AI 160
SK 83/32	357	-	355	359	359	363	363	372	-
SK 83/42	382	-	-	-	377	384	384	398	397

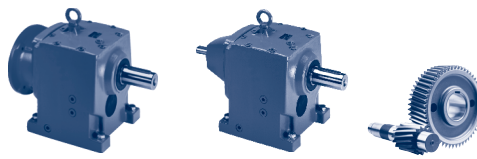
SK 83 SK 82



	i_{Total}	n_2 $n_1 =$ 1400r/min [r/min]	M_{2max} $f_B = 1$ [Nm]	W			IEC											
				P_{1max}			$f_B \Rightarrow$ C4 - 52											
				$n_1 =$ 1400r/min [kW]	$n_1 =$ 930r/min [kW]	$n_1 =$ 700r/min [kW]	IEC 100	IEC 112	IEC 132	AI 160	AI 180	AI 200	AI 225					
SK 83	216,61	6,5	8890	6,05	3,99	3,03			*									
	164,70	8,5	8930	7,95	5,25	3,97			*	*	*							
	136,78	10	7380	7,73	5,10	3,86			*									
	W	104,00	13	9180	12,50	8,25	6,25				*	*						
	+	80,62	17	8980	15,99	10,55	7,99				*							
	IEC, AI	70,24	20	8960	18,76	12,38	9,38				*							
		61,89	23	9000	21,68	14,31	10,84				*	*	*	*				
	$\frac{H}{mm}$	51,51	27	8930	25,25	16,66	12,62					*	*	*				
		44,38	32	8890	29,79	19,66	14,89					*	*	*				
	\Rightarrow C103, C115	39,08	36	9000	33,93	22,39	16,96							*	*			
		32,52	43	8550	38,50	25,41	19,25								*	*		
		28,03	50	8130	42,57	28,09	21,28								*	*		
		24,42	57	8000	45,00	29,70	22,50											
		21,04	67	8000	45,00	29,70	22,50											
	SK 82	48,82	29	5320	16,15	10,66	8,08											
40,45		35	4144	15,19	10,02	7,59				*								
32,12		44	6591	30,37	20,04	15,18				*								
W		26,62	53	6357	35,28	23,28	17,64											
+		26,48	53	6591	36,58	24,14	18,29											
IEC, AI		21,94	64	7246	48,56	32,05	24,28					*						
		16,56	85	6579	58,56	38,65	29,28											
$\frac{H}{mm}$		14,29	98	6581	67,53	44,57	33,77											*
		11,84	118	7135	75,00	49,50	37,50											*
\Rightarrow C104, C114		10,33	136	6866	75,00	49,50	37,50											*
		8,82	159	6569	75,00	49,50	37,50											*
		7,39	189	6256	75,00	49,50	37,50											*
		6,19	226	4304	75,00	49,50	37,50											*
		5,29	265	4784	75,00	49,50	37,50											*
		4,43	316	4344	75,00	49,50	37,50											*
	3,62	387	3950	75,00	49,50	37,50											*	
	2,89	484	3127	75,00	49,50	37,50											*	

* Caution, do not exceed the maximum drive power P_{1max} according to the Typ W column.

kg	W	IEC 100	IEC 112	IEC 132	AI 160	AI 180	AI 200	AI 225	AI 250	AI 280
SK 83	357	345	345	358	372	372	383	400	-	-
SK 82	424	-	-	350	364	364	375	392	454	454



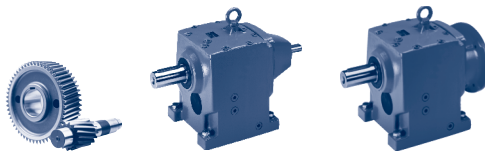
	i_{Total}	n_2 $n_1 =$ 1400r/min [r/min]	M_{2max} $f_B = 1$ [Nm]	W			IEC							
				P_{1max}			$f_B \Rightarrow$ C4 - 52							
				$n_1 =$ 1400r/min [kW]	$n_1 =$ 930r/min [kW]	$n_1 =$ 700r/min [kW]	IEC 71	IEC 80	IEC 90	IEC 100	IEC 112	IEC 132	AI 160	
SK 93/42	1641,59	0,85	12200	1,09	0,72	0,54				*	*	*		
W	1298,54	1,1	12200	1,41	0,93	0,70				*	*	*		
+	1091,47	1,3	12200	1,66	1,10	0,83				*	*	*	*	*
IEC, AI	756,82	1,8	12200	2,17	1,43	1,09				*	*	*	*	*
$\frac{H}{mm}$	548,76	2,6	12200	3,32	2,19	1,66				*	*	*	*	*
\Rightarrow C4	457,30	3,1	12200	3,96	2,61	1,98				*	*	*	*	*
\Rightarrow C52	333,02	4,2	12200	5,37	3,54	2,68						*	*	*
C102, C110	287,83	4,9	12200	6,26	4,13	3,13						*	*	*
	239,74	5,8	12200	7,41	4,89	3,70						*	*	*
	181,16	7,7	12200	9,84	6,49	4,92						*	*	*
SK 93/52	161,32	8,7	12200	11,11	7,34	5,56	IEC 71	IEC 80	IEC 90	IEC 100	IEC 112	IEC 132	AI 160	AI 180
W	127,50	11	12200	14,05	8,27	7,03							*	*
+	106,25	13	12200	16,61	10,96	8,30							*	*
IEC, AI													*	*
$\frac{H}{mm}$													*	*
\Rightarrow C4													*	*
C102, C110													*	*

* Caution, do not exceed the maximum drive power P_{1max} according to the Typ W column.

UNICASE™
Helical gear units

kg	W	IEC 71	IEC 80	IEC 90	IEC 100	IEC 112	IEC 132	AI 160	AI 180
SK 93/42	561	-	-	556	563	563	577	576	-
SK 93/52	590	-	-	-	592	592	606	605	605

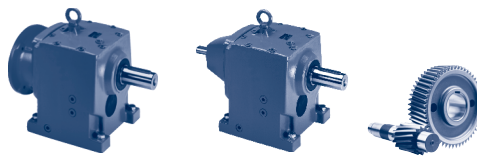
SK 93 SK 92



	i_{Total}	n_2 $n_1 =$ 1400r/min [r/min]	M_{2max} $f_B = 1$ [Nm]	W			IEC										
				P_{1max}			$f_B \Rightarrow$ C4 - 52										
				$n_1 =$ 1400r/min [kW]	$n_1 =$ 930r/min [kW]	$n_1 =$ 700r/min [kW]	IEC 132	AI 160	AI 180	AI 200	AI 225	AI 250	AI 280				
SK 93	187,89	7,5	13980	10,98	7,25	5,49		*	*								
	123,05	11	13950	16,07	10,60	8,03			*	*							
	109,14	13	11560	15,74	10,39	7,87			*	*							
W	93,34	15	14000	21,99	14,51	10,99			*	*							
+	72,47	19	13400	26,66	17,60	13,33				*	*						
IEC, AI	61,63	23	12700	30,59	20,19	15,29				*	*						
$\frac{mm}{mm}$	53,80	26	12250	33,35	22,01	16,68				*	*	*	*	*	*	*	*
\Rightarrow	46,57	30	12200	38,32	25,29	19,16				*	*	*	*	*	*	*	*
C104, C115	39,54	35	12200	44,71	29,51	22,36				*	*	*	*	*	*	*	*
	31,25	45	12200	57,49	37,94	28,74										*	*
	27,05	52	12200	66,43	43,84	33,21										*	*
	22,97	61	12200	75,00	49,50	37,50										*	*
	19,12	73	12200	75,00	49,50	37,50										*	*
SK 92	35,47	39	9640	39,37	25,98	19,68											
	29,30	48	10775	54,16	35,74	27,08											
W	16,47	85	10613	94,46	62,34	47,23											
+	14,36	97	10774	109,43	72,23	54,72											
IEC, AI	12,39	113	10592	125,33	82,72	62,66										*	*
$\frac{mm}{mm}$	10,50	133	10112	140,83	92,95	70,41										*	*
\Rightarrow	7,78	180	6085	114,69	75,70	57,35										*	*
C104, C114	6,70	209	7012	153,46	101,28	76,73										*	*
	5,68	246	7212	160,00	105,60	80,00										*	*
	3,51	399	5572	160,00	105,60	80,00										*	*

* Caution, do not exceed the maximum drive power P_{1max} according to the Typ W column.

$\frac{kg}{kg}$	W	IEC 132	AI 160	AI 180	AI 200	AI 225	AI 250	AI 280	AI 315
SK 93	536	537	551	551	562	479	641	641	-
SK 92	575	528	540	540	551	568	630	630	746

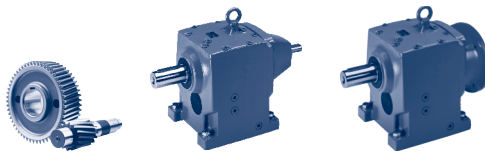


	i_{Total}	n_2 $n_1 =$ 1400r/min [r/min]	M_{2max} $f_B = 1$ [Nm]	W			IEC							
				P_{1max}			$f_B \Rightarrow$ C4 - 52							
				$n_1 =$ 1400r/min [kW]	$n_1 =$ 930r/min [kW]	$n_1 =$ 700r/min [kW]	IEC 71	IEC 80	IEC 90	IEC 100	IEC 112	IEC 132	AI 160	AI 180
SK 103/52	2037,08	0,69	20000	1,45	0,95	0,72				*	*	*		
	1701,72	0,82	20000	1,72	1,13	0,86				*	*	*		
W	1412,72	0,99	20000	2,07	1,37	1,04				*	*			
+	1148,61	1,2	20000	2,51	1,66	1,26				*	*	*	*	
IEC, AI	943,57	1,5	20000	3,14	2,07	1,57				*	*	*	*	
mm	816,55	1,7	20000	3,56	2,35	1,78				*	*	*	*	*
mm	642,31	2,2	20000	4,61	3,04	2,30				*	*	*	*	*
mm	467,81	3,0	20000	6,28	4,15	3,14				*	*	*	*	*
mm	340,13	4,1	20000	8,59	5,67	4,29				*	*	*	*	*
C102, C110	296,69	4,7	20000	9,84	6,50	4,92				*	*	*	*	*
	244,77	5,7	20000	11,94	7,88	5,97				*	*	*	*	*
	184,62	7,6	20000	15,92	10,50	7,96				*	*	*	*	*
	154,63	9,1	20000	19,06	12,58	9,53				*	*	*	*	*
	122,42	11	20000	22,00	14,52	11,00				*	*	*	*	*
	105,36	13	20000	22,00	14,52	11,00				*	*	*	*	*

* Caution, do not exceed the maximum drive power P_{1max} according to the Typ W column.

kg	W	IEC 71	IEC 80	IEC 90	IEC 100	IEC 112	IEC 132	AI 160	AI 180
SK 103/52	809	-	-	804	811	811	825	824	824

SK 103 SK 102

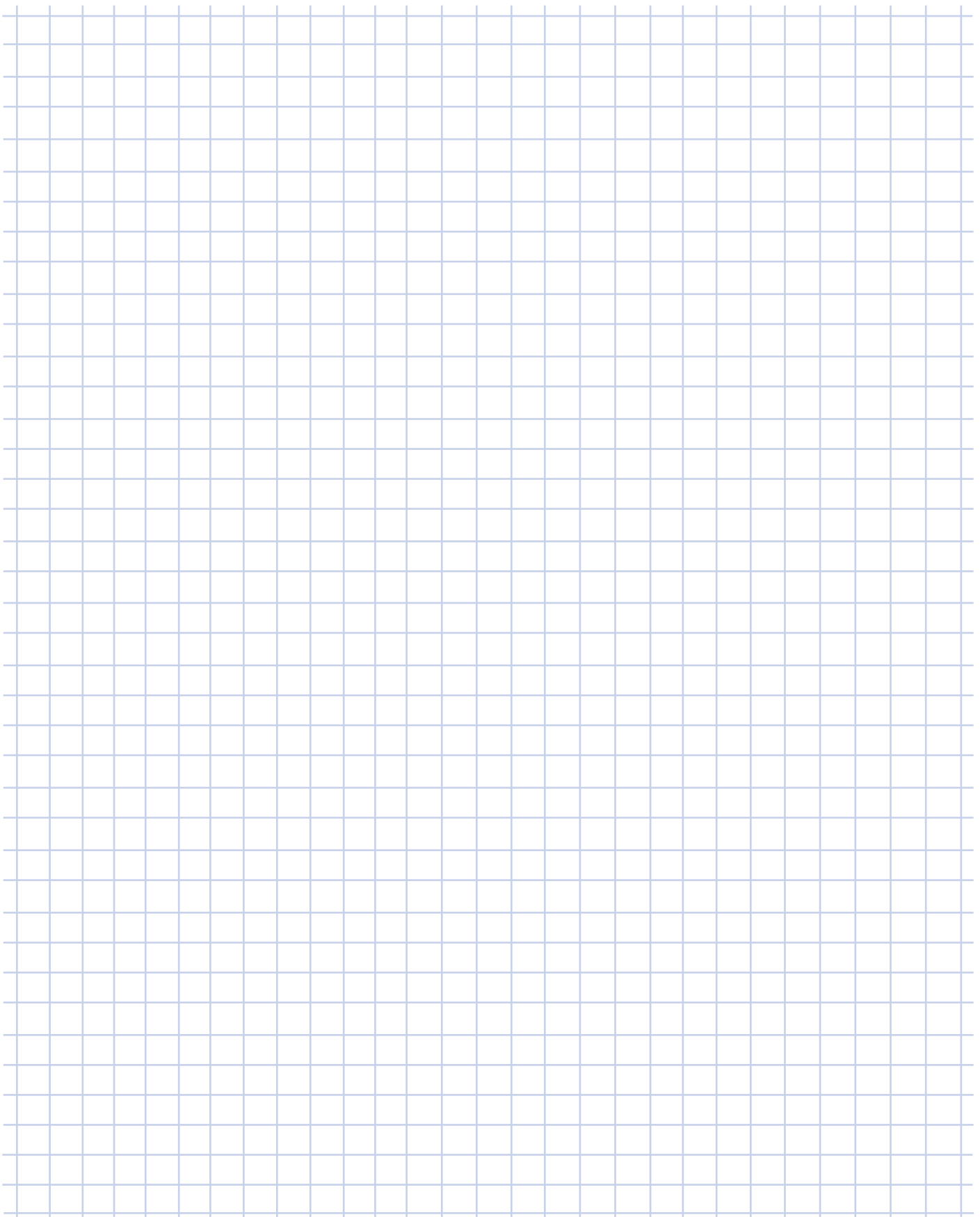


	i_{Total}	n_2 $n_1 =$ 1400r/min [r/min]	M_{2max} $f_B = 1$ [Nm]	W			IEC														
				P_{1max}			$f_B \Rightarrow$ C4 - 52														
				$n_1 =$ 1400r/min	$n_1 =$ 930r/min	$n_1 =$ 700r/min															
				[kW]	[kW]	[kW]	IEC	AI	AI	AI	AI	AI	AI	AI							
SK 103	207,47	6,7	23160	16,25	10,72	8,12			*												
	136,51	10	23000	24,08	15,90	12,04				*											
	112,53	12	23160	29,10	19,21	14,55				*	*										
	W	81,40	17	20500	36,49	24,08	18,25				*										
	+	70,38	20	20000	41,88	27,64	20,94				*	*									
	IEC, AI	60,71	23	20000	48,17	31,79	24,08					*	*	*							
		52,98	26	20000	54,45	35,94	27,23					*	*	*	*						
	$\frac{H}{mm}$	45,25	31	20000	64,92	42,85	32,46						*	*	*	*					
		37,90	37	20000	77,49	51,14	38,74							*	*	*					
	\Rightarrow	29,62	47	20000	98,43	64,96	49,21													*	
	C104, C117	25,30	55	20000	110,00	72,60	55,00													*	
		21,19	66	20000	110,00	72,60	55,00													*	
	SK 102	38,81	36	16059	60,54	39,95	30,27														
		19,37	72	16808	126,72	83,64	63,36														*
W		16,63	84	17367	152,76	100,82	76,38													*	
+		14,29	98	16620	170,55	112,82	85,28													*	
IEC, AI		11,88	118	15773	194,89	128,63	97,45													*	
		9,96	141	15004	200,00	132,00	100,00														
$\frac{H}{mm}$		7,50	187	11270	200,00	132,00	100,00														
		6,24	224	11491	200,00	132,00	100,00														
\Rightarrow		5,23	268	10602	200,00	132,00	100,00														
C104, C116		4,28	327	9387	200,00	132,00	100,00														

* Caution, do not exceed the maximum drive power P_{1max} according to the Typ W column.

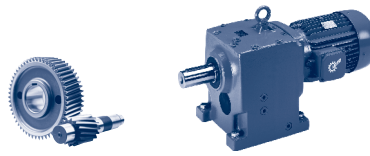
$\frac{H}{mm}$	W	IEC 132	AI 160	AI 180	AI 200	AI 225	AI 250	AI 280	AI 315
SK 103	830	756	770	770	781	798	860	860	976
SK 102	821	-	-	-	-	-	851	851	967

UNICASE™
Helical gear units

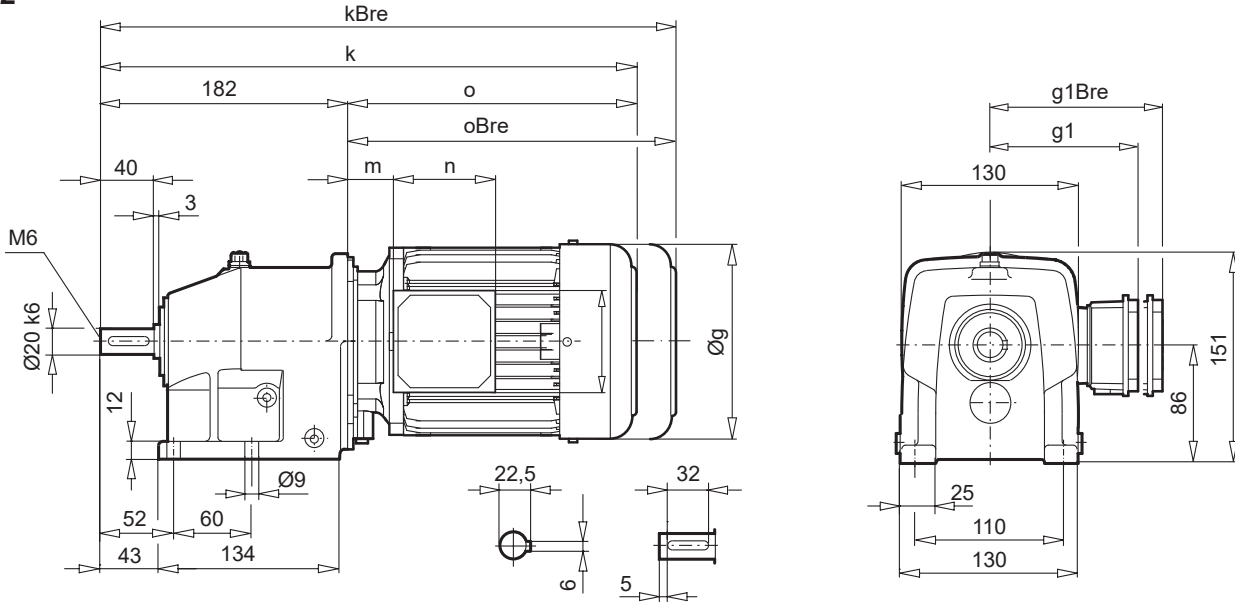


A large grid area for taking notes, consisting of a 20x30 grid of small squares.

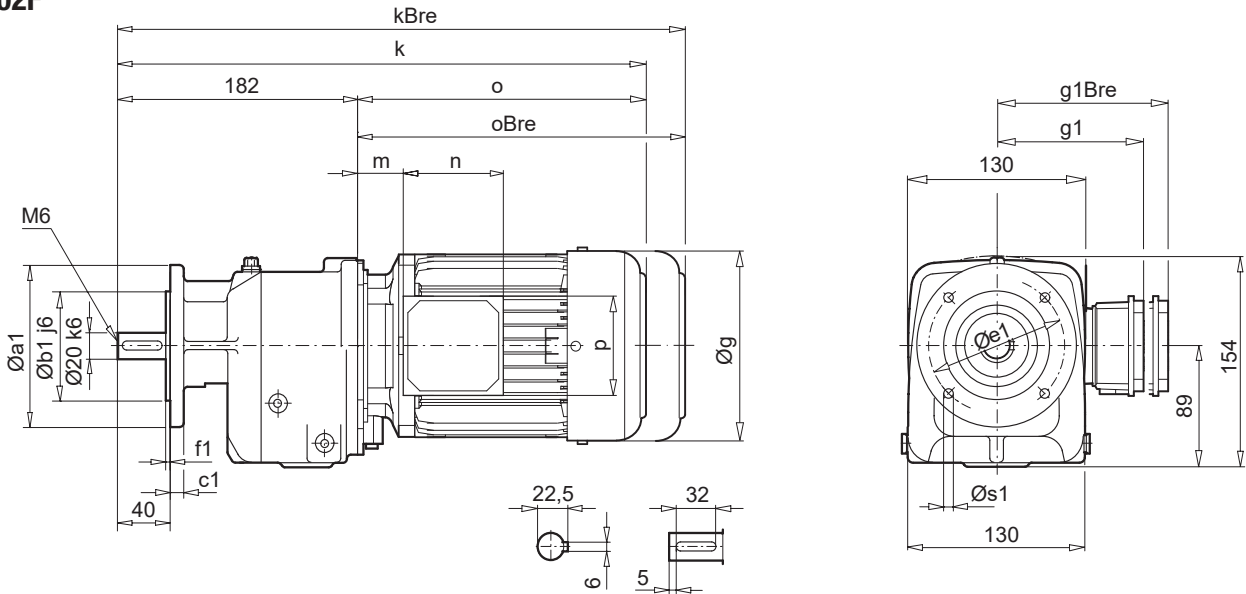
SK 02 SK 02F



SK 02



SK 02F



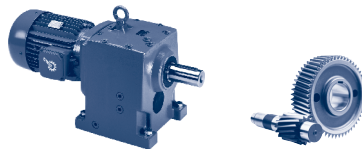
a1	b1	c1	e1	f1	s1
120	80	10	100	3,0	4 x 7
140	95	10	115	3,0	4 x 9
160	110	10	130	3,0	4 x 9

$\pm \Rightarrow$ A60	63 SP/LP	71 SP/LP	80 SP/LP	90 SP/LP	100 LP
g	130	145	165	183	201
$g1 / g1_{Bre}$	115 / 123	124 / 132	142 / 142	147 / 147	169 / 173
k / k_{Bre}	378 / 434	418 / 476	443 / 507	484 / 559	514 / 605
o / o_{Bre}	196 / 252	236 / 294	261 / 325	302 / 377	332 / 423
m / m_{Bre}	16 / 22	42 / 47	47 / 51	52 / 56	58 / 62
n / n_{Bre}	100 / 134	100 / 134	114 / 153	114 / 153	114 / 153
p / p_{Bre}	100 / 89	100 / 89	114 / 108	114 / 108	114 / 108

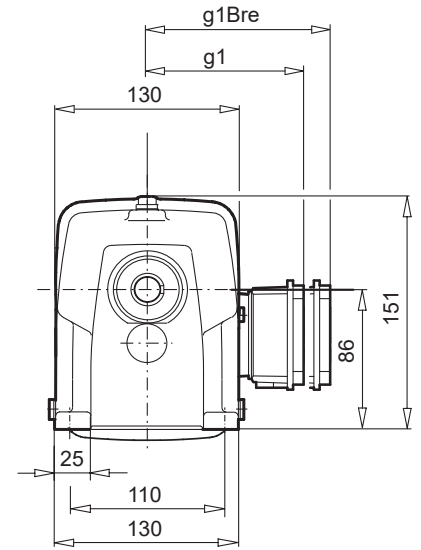
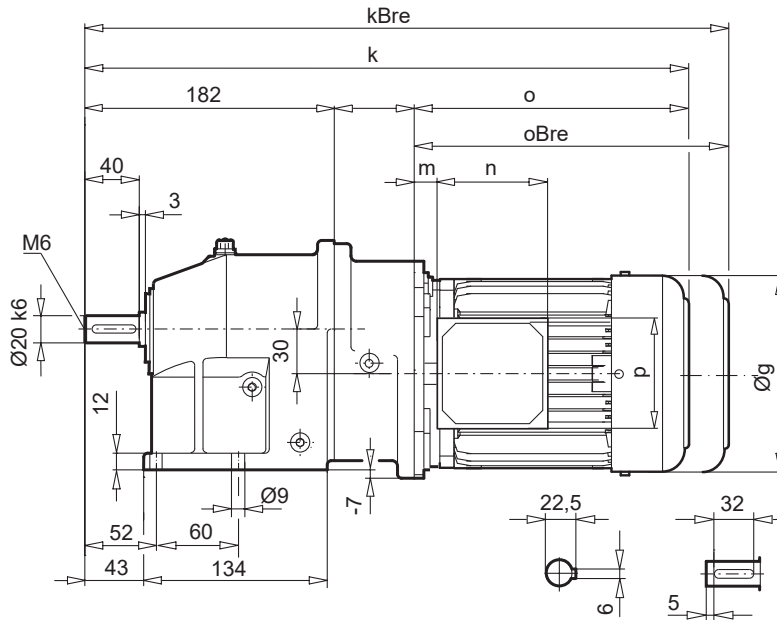


W \Rightarrow C100
IEC \Rightarrow C106

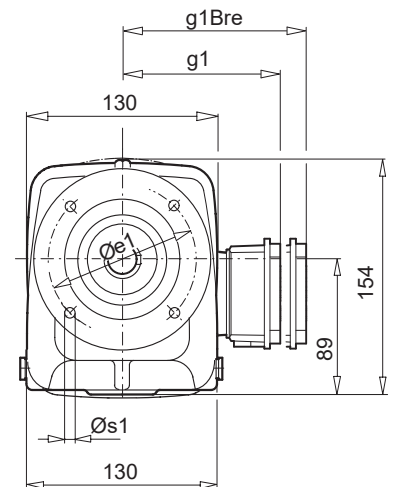
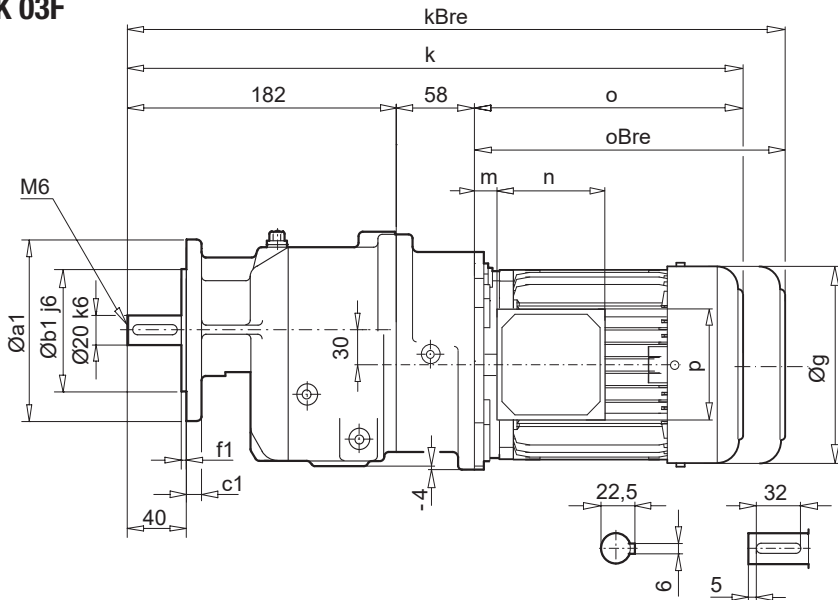




SK 03



SK 03F



a1	b1	c1	e1	f1	s1
120	80	10	100	3,0	4 x 7
140	95	10	115	3,0	4 x 9
160	110	10	130	3,0	4 x 9

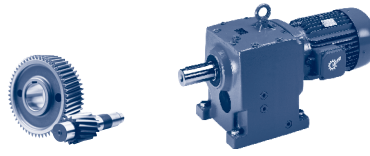
± ⇒ A60	63 SP/LP	71 SP
g	130	145
g1 / g1Bre	115 / 123	124 / 132
k / kBre	436 / 492	476 / 534
o / oBre	196 / 252	236 / 294
m / mBre	16 / 22	42 / 47
n / nBre	100 / 134	100 / 134
p / pBre	100 / 89	100 / 89



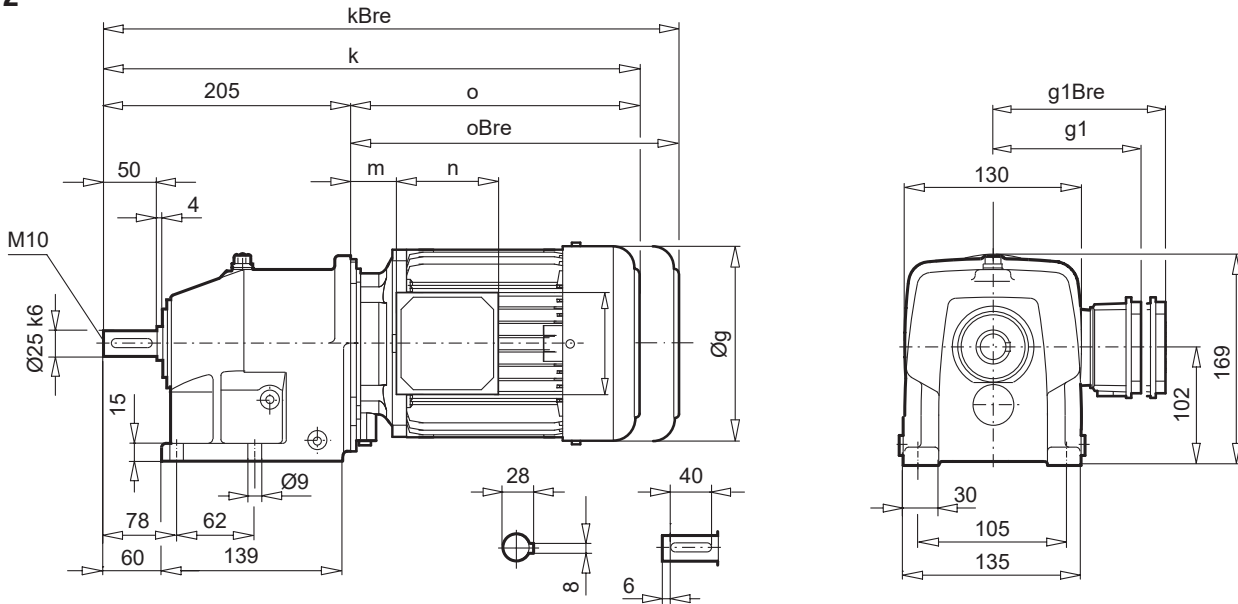
W ⇒ C100
IEC ⇒ C107

UNICASE™
Helical gear units

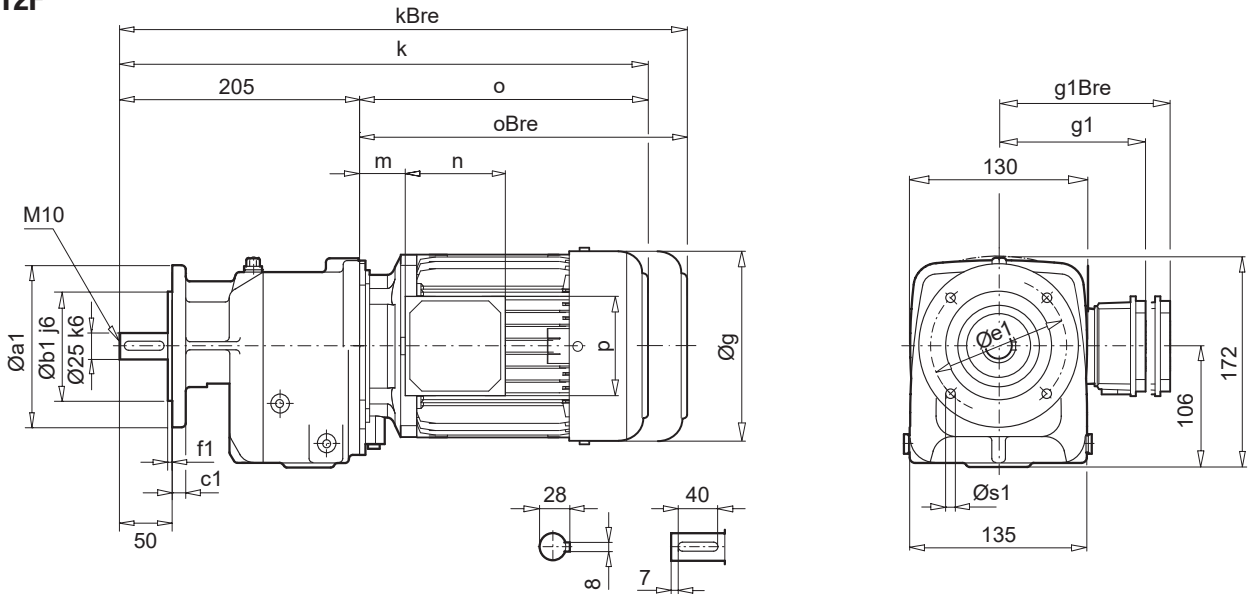
SK 12 SK 12F



SK 12

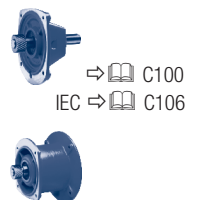


SK 12F

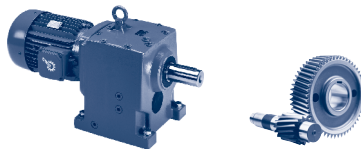


a1	b1	c1	e1	f1	s1
120	80	10	100	3,0	4 x 7
140	95	10	115	3,0	4 x 9
160	110	10	130	3,0	4 x 9

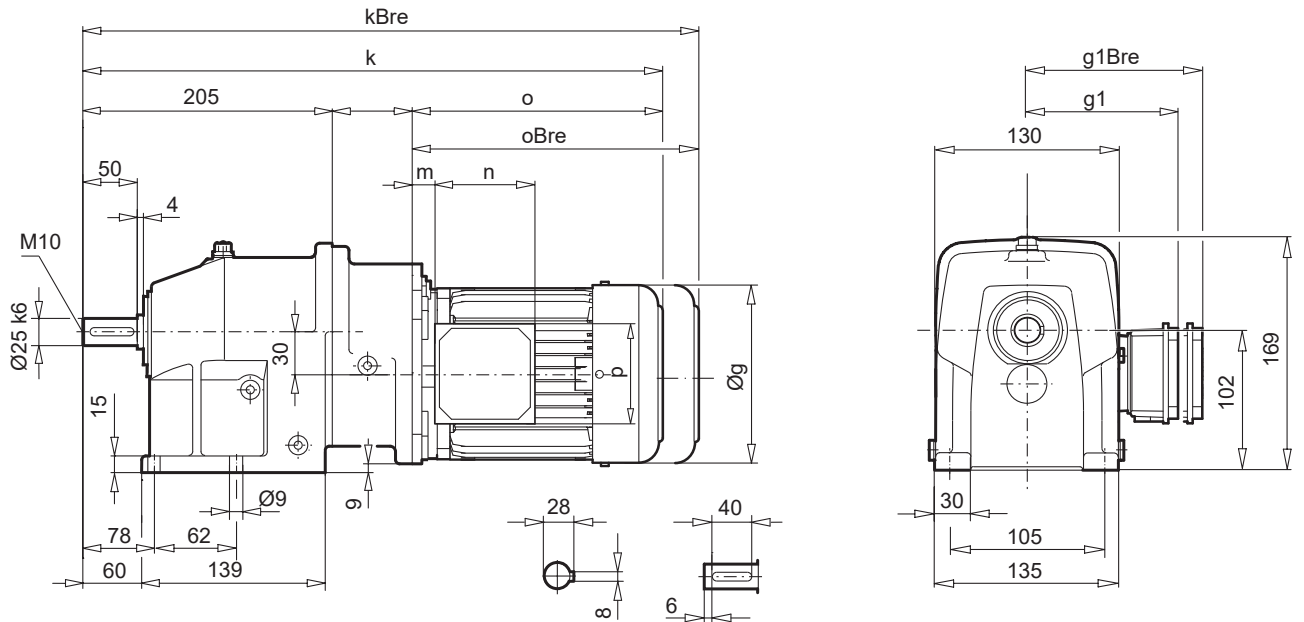
± ⇄ A60	63 SP/LP	71 SP/LP	80 SP/LP	90 SP/LP	100 LP/AP	112 MP
g	130	145	165	183	201	228
g1 / g1Bre	115 / 123	124 / 132	142 / 142	147 / 147	169 / 173	179 / 182
k / kBre	401 / 457	441 / 499	466 / 530	507 / 582	537 / 628	585 / 678
o / oBre	196 / 252	236 / 294	261 / 325	302 / 377	332 / 423	380 / 473
m / mBre	16 / 22	42 / 47	47 / 51	52 / 56	58 / 62	64 / 67
n / nBre	100 / 134	100 / 134	114 / 153	114 / 153	114 / 153	114 / 153
p / pBre	100 / 89	100 / 89	114 / 108	114 / 108	114 / 108	114 / 108



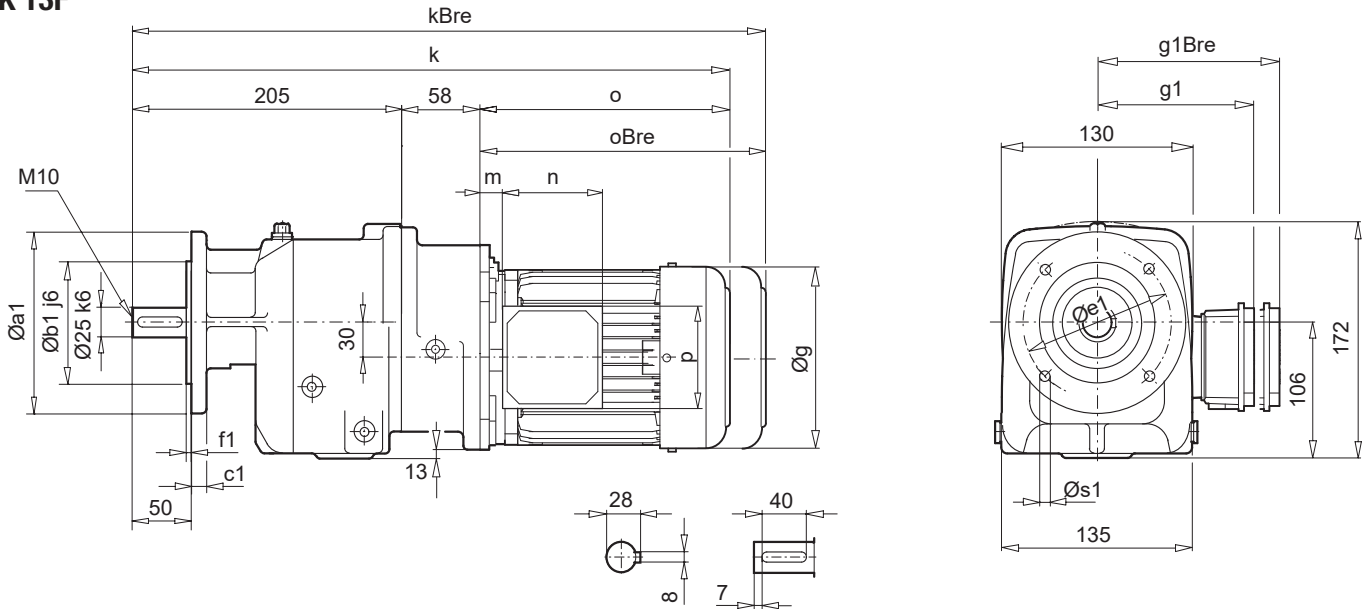
UNICASE™
Helical gear units



SK 13



SK 13F



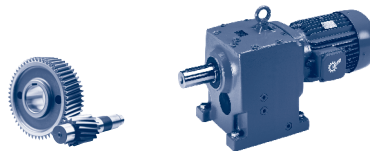
a1	b1	c1	e1	f1	s1
120	80	10	100	3,0	4 x 7
140	95	10	115	3,0	4 x 9
160	110	10	130	3,0	4 x 9

± ⇔ A60	63 SP/LP	71 SP/LP
g	130	145
g1 / g1Bre	115 / 123	124 / 132
k / kBre	459 / 515	499 / 557
o / oBre	196 / 252	236 / 294
m / mBre	16 / 22	42 / 47
n / nBre	100 / 134	100 / 134
p / pBre	100 / 89	100 / 89

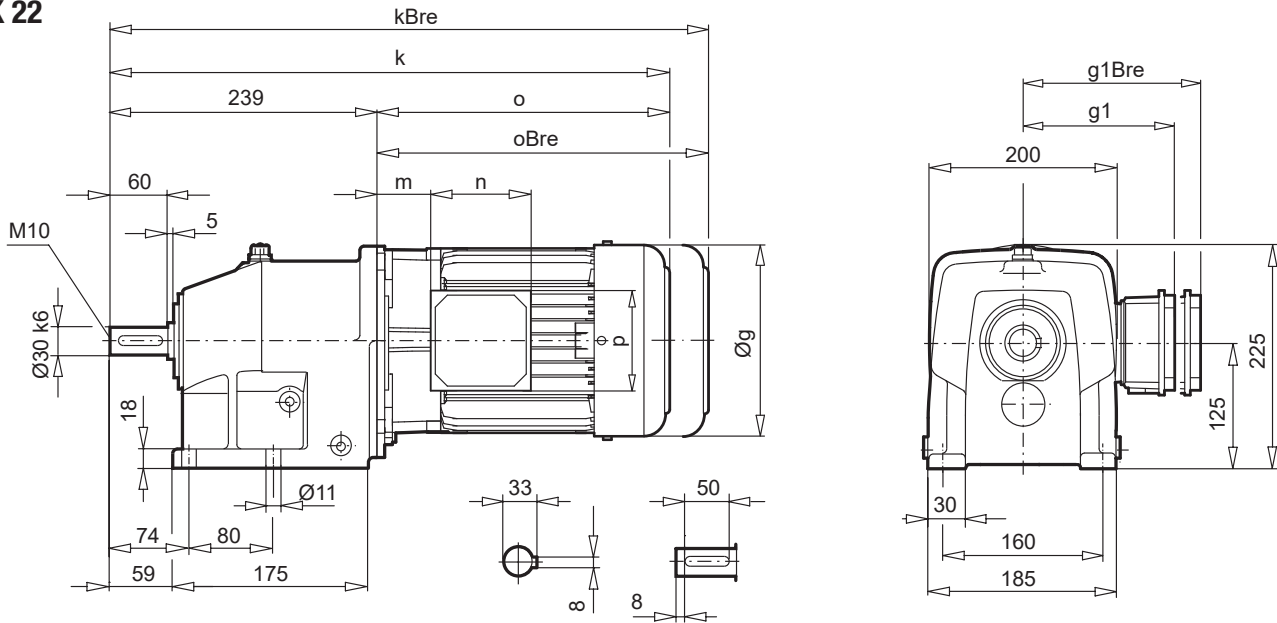


UNICASE™
Helical gear units

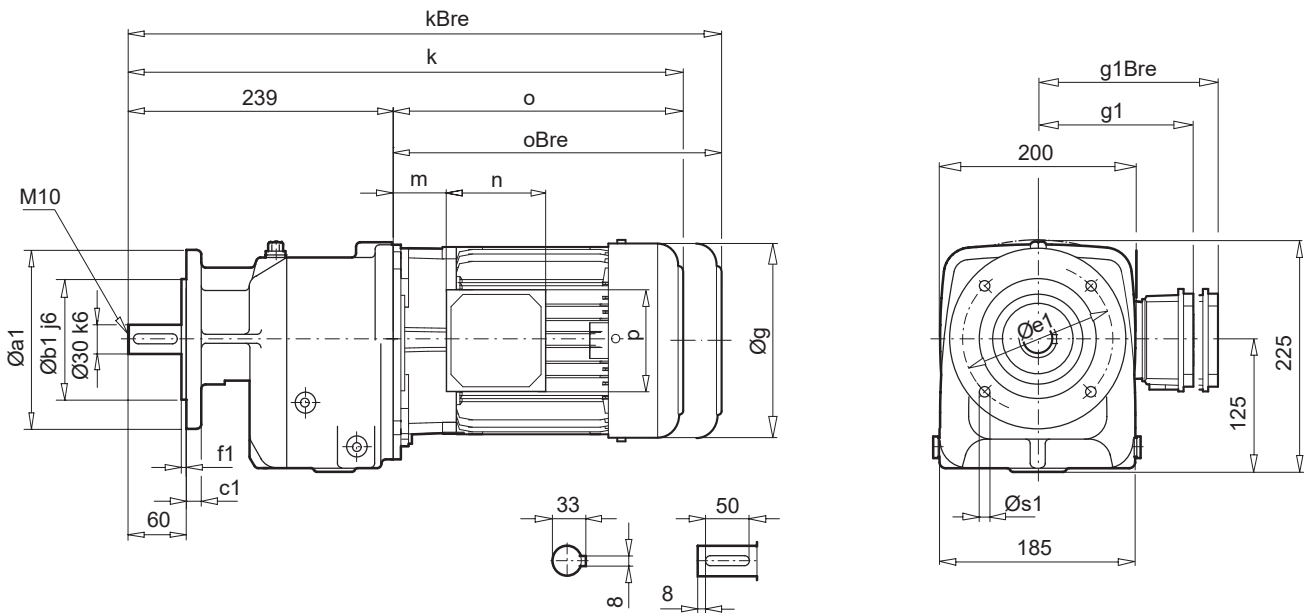
SK 22 SK 22F



SK 22

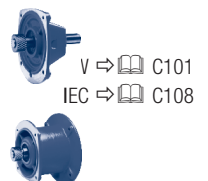


SK 22F

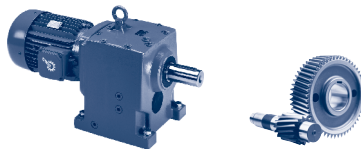


a1	b1	c1	e1	f1	s1
160	110	10	130	3,5	4 x 9
200	130	12	165	3,5	4 x 11

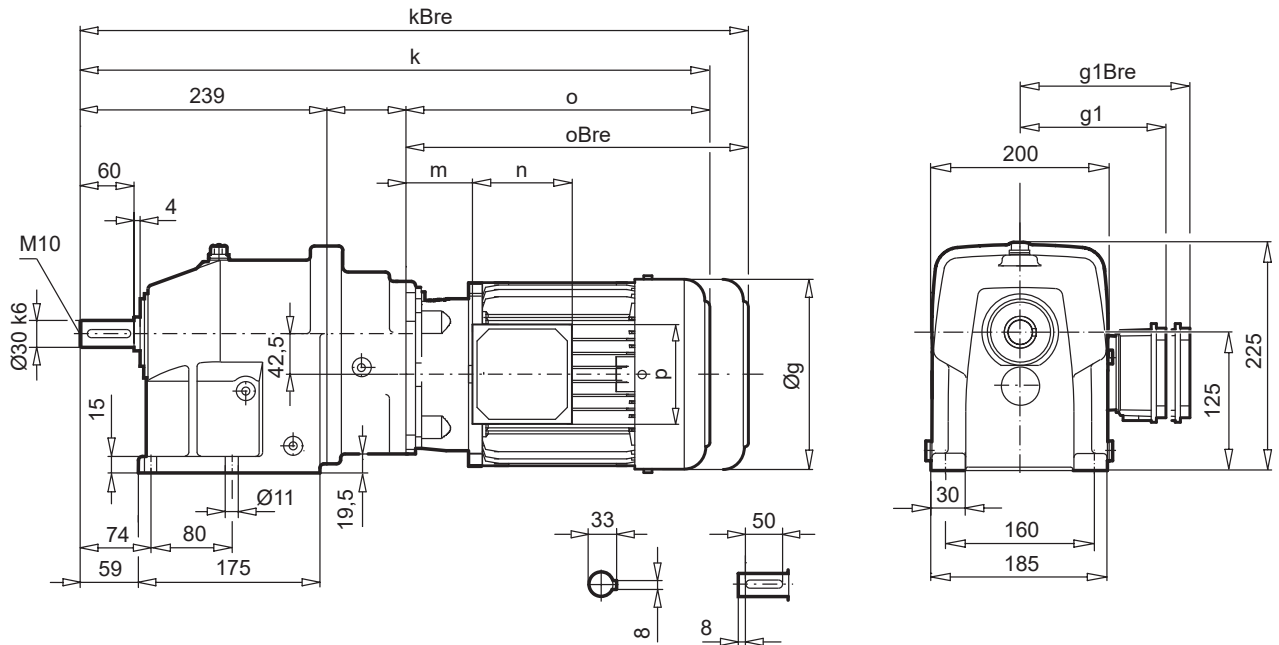
± ⇨ A60	71 SP/LP	80 SP/LP	90 SP/LP	100 LP/AP	112 MP	132 SP/MP
g	145	165	183	201	228	266
g1 / g1Bre	124 / 132	142 / 142	147 / 147	169 / 173	179 / 182	204 / 201
k / kBre	469 / 527	494 / 559	535 / 610	565 / 656	613 / 706	674 / 781
o / oBre	230 / 288	255 / 319	296 / 371	326 / 417	374 / 467	435 / 542
m / mBre	36 / 42	41 / 45	46 / 50	52 / 56	58 / 61	71 / 62
n / nBre	100 / 134	114 / 153	114 / 153	114 / 153	114 / 153	122 / 185
p / pBre	100 / 89	114 / 108	114 / 108	114 / 108	114 / 108	122 / 139



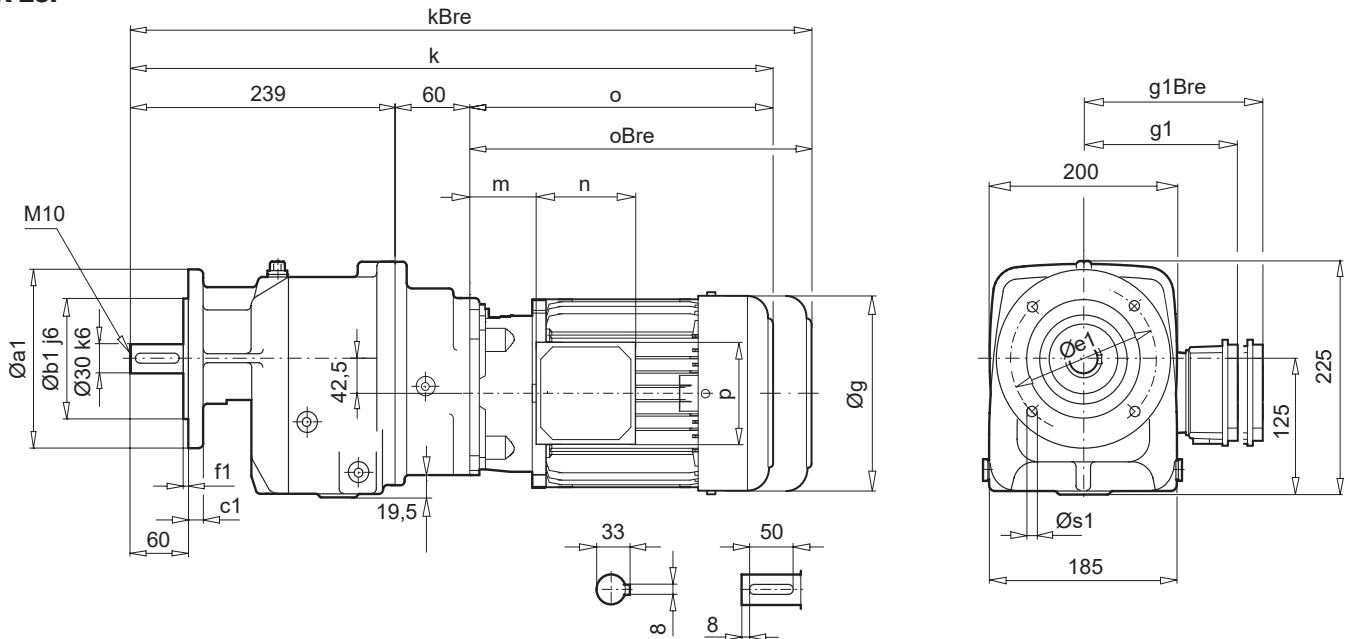
UNICASE™
Helical gear units



SK 23

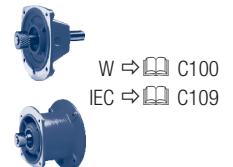


SK 23F



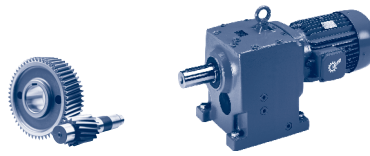
a1	b1	c1	e1	f1	s1
160	110	10	130	3,5	4 x 9
200	130	12	165	3,5	4 x 11

± ↗ A60	63 SP/LP	71 SP/LP	80 SP/LP
g	130	145	165
g1 / g1Bre	115 / 123	124 / 132	142 / 142
k / kBre	495 / 551	535 / 593	560 / 624
o / oBre	196 / 252	236 / 294	261 / 325
m / mBre	16 / 22	42 / 47	47 / 51
n / nBre	100 / 134	100 / 134	114 / 153
p / pBre	100 / 89	100 / 89	114 / 108

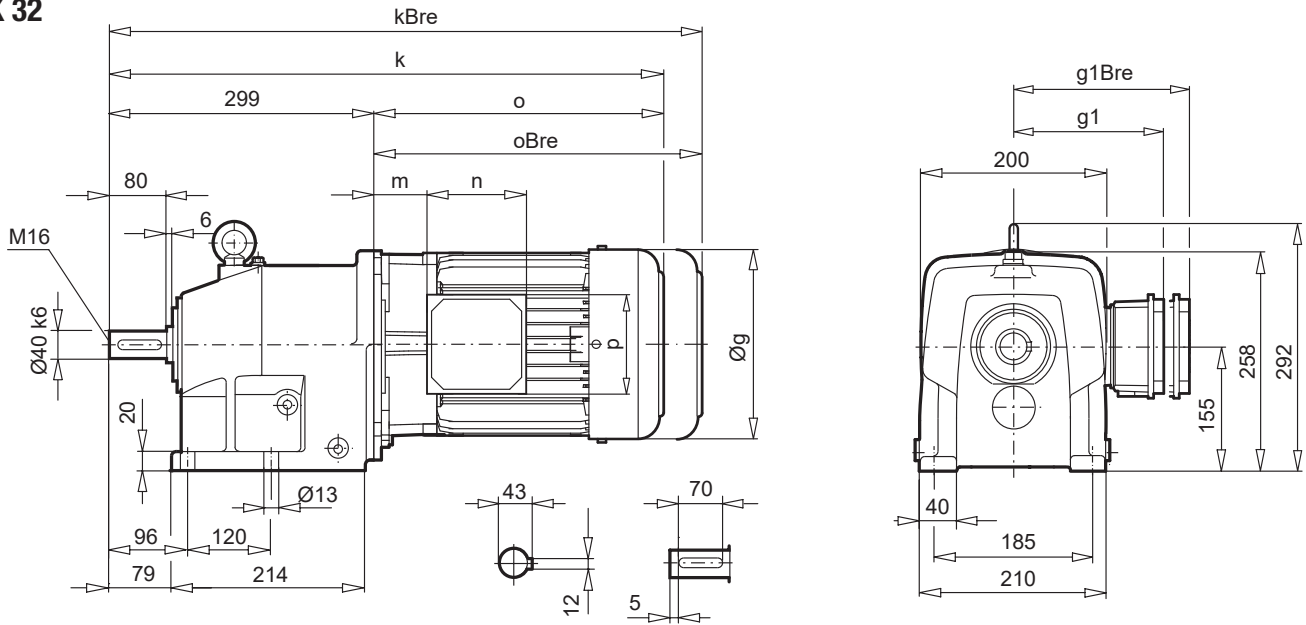


UNICASE™
Helical gear units

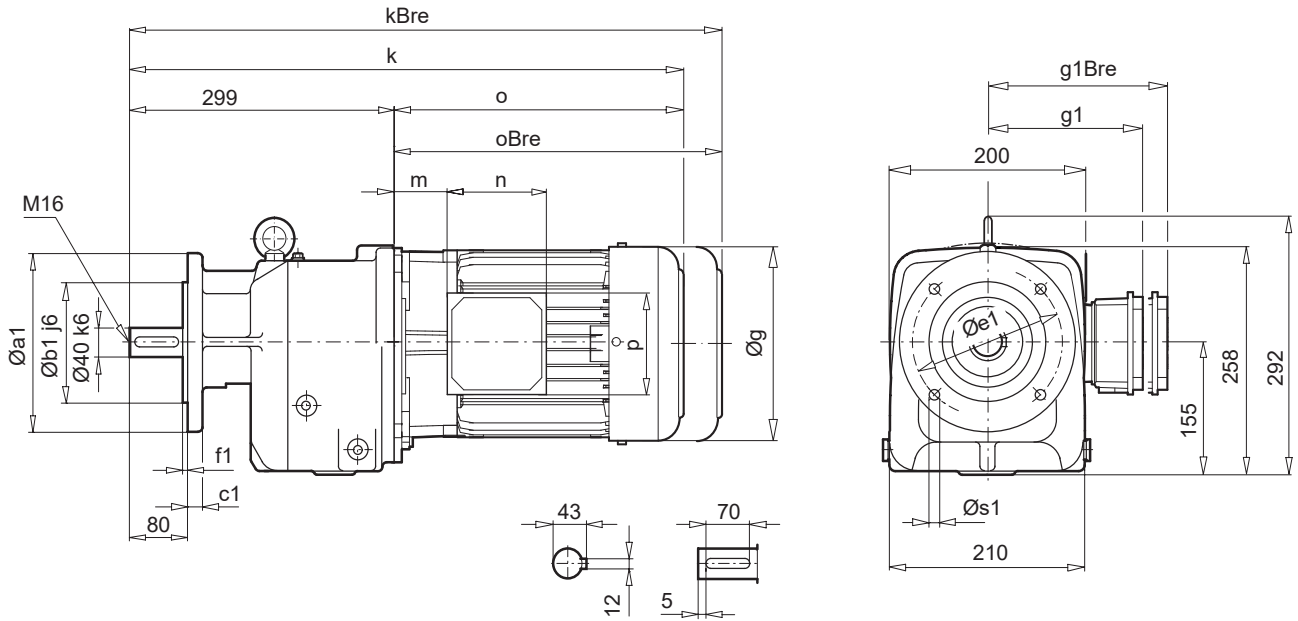
SK 32 SK 32F



SK 32



SK 32F

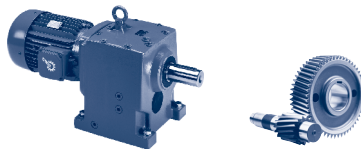


a1	b1	c1	e1	f1	s1
200	130	12	165	3,5	4 x 11
250	180	16	215	4,0	4 x 14

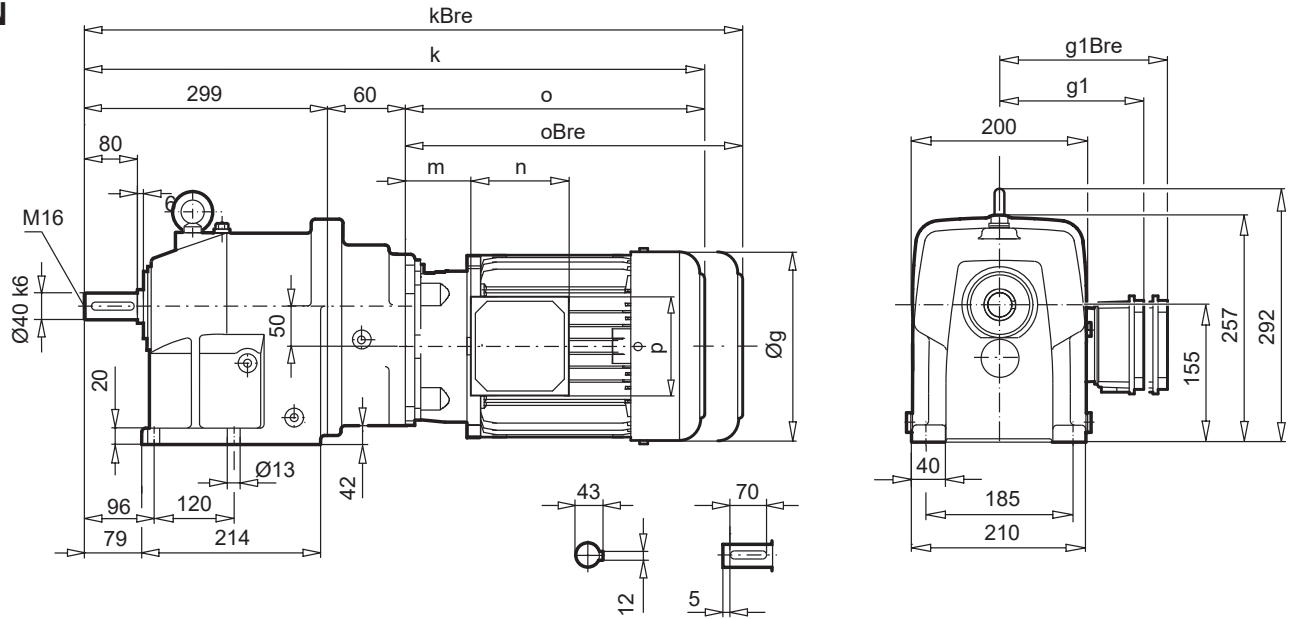
± → A60	71 SP/LP	80 SP/SP	90 SP/LP	100 LP/AP	112 MP	132 SP/MP
g	145	165	183	201	228	266
g1 / g1Bre	124 / 132	142 / 142	147 / 147	169 / 173	179 / 182	204 / 201
k / kBre	529 / 587	554 / 618	595 / 670	625 / 716	673 / 766	734 / 841
o / oBre	230 / 288	255 / 319	296 / 371	326 / 417	374 / 467	435 / 542
m / mBre	36 / 42	41 / 45	46 / 50	52 / 56	58 / 61	71 / 62
n / nBre	100 / 134	114 / 153	114 / 153	114 / 153	114 / 153	122 / 185
p / pBre	100 / 89	114 / 108	114 / 108	114 / 108	114 / 108	122 / 139



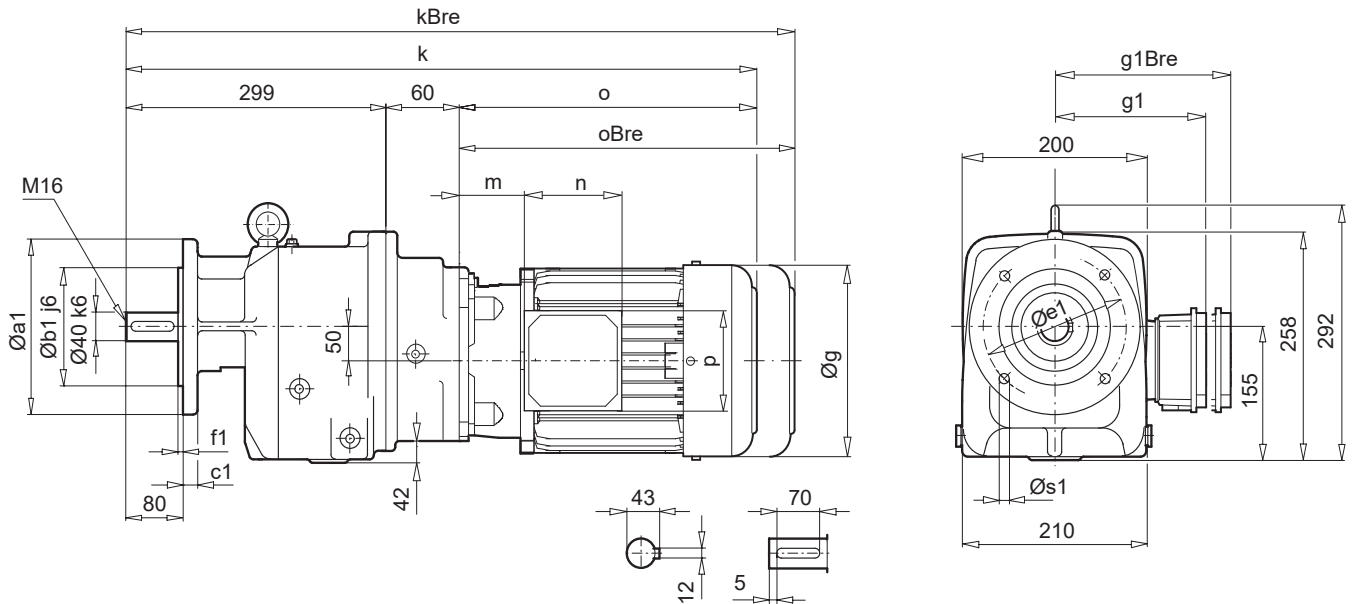
W → C101
IEC → C108



SK 33N

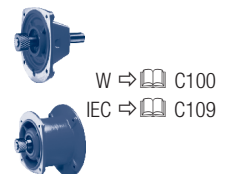


SK 33NF



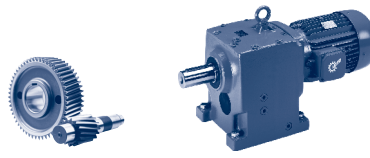
a1	b1	c1	e1	f1	s1
200	130	12	165	3,5	4 x 11
250	180	16	215	4,0	4 x 14

$\pm \Rightarrow$ A60	63 SP/LP	71 SP/LP	80 SP/LP	90 SP
g	130	145	165	183
g1 / g1Bre	115 / 123	124 / 132	142 / 142	147 / 147
k / kBre	555 / 611	595 / 653	620 / 684	661 / 736
o / oBre	196 / 252	236 / 294	261 / 325	302 / 377
m / mBre	16 / 22	42 / 47	47 / 51	52 / 56
n / nBre	100 / 134	100 / 134	114 / 153	114 / 153
p / pBre	100 / 89	100 / 89	114 / 108	114 / 108

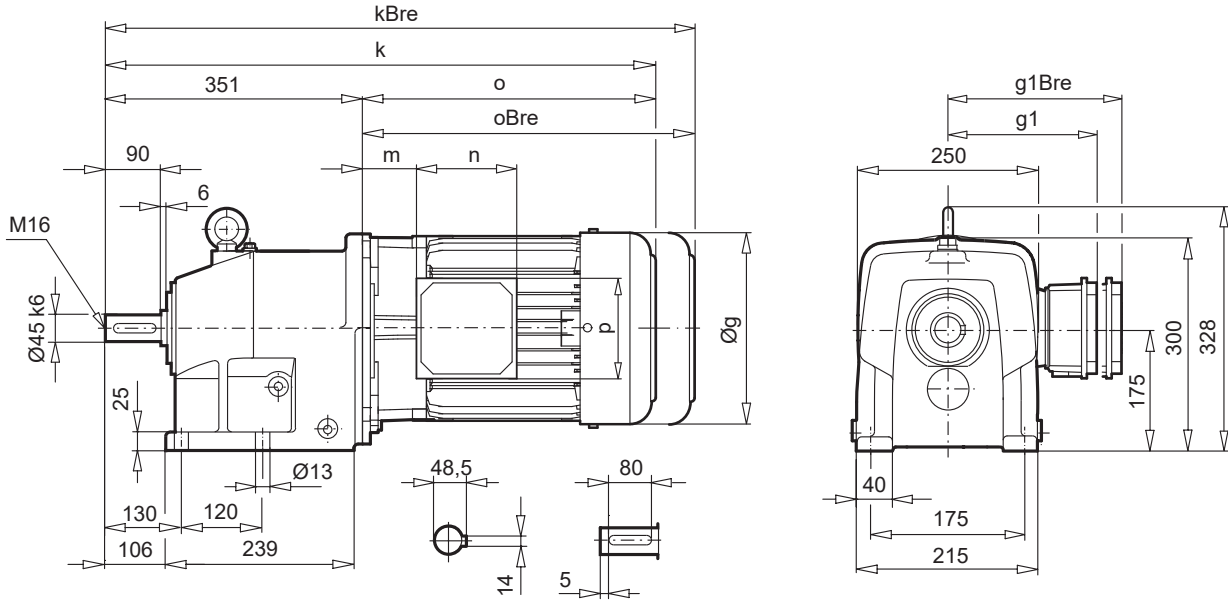


UNICASE™
Helical gear units

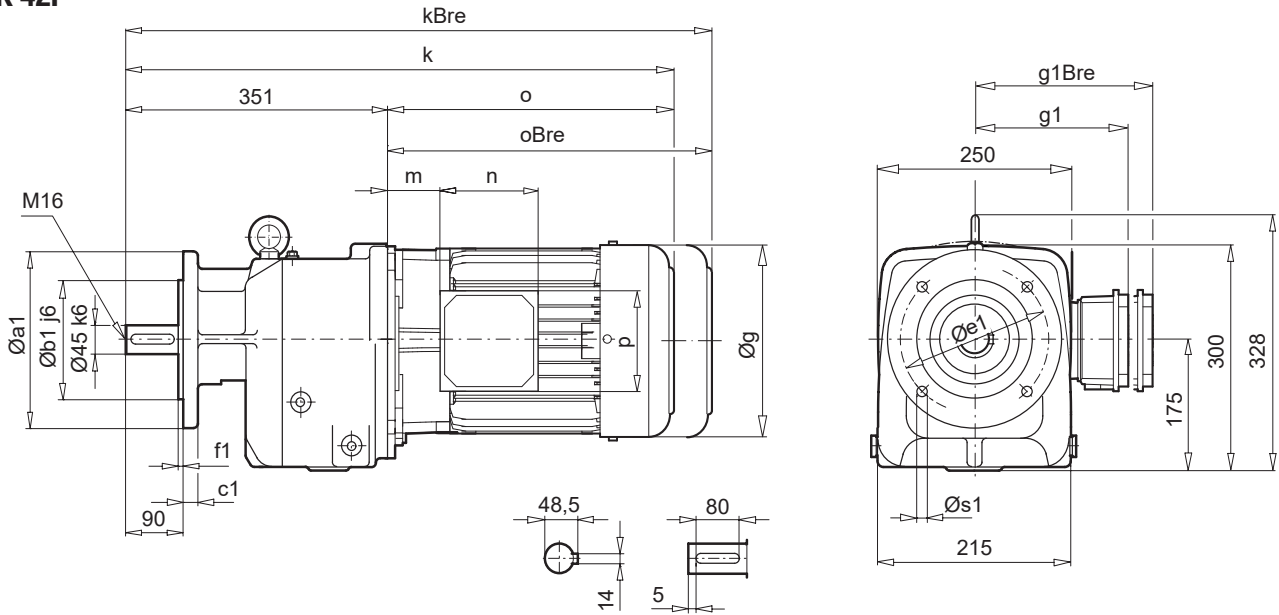
SK 42 SK 42F



SK 42

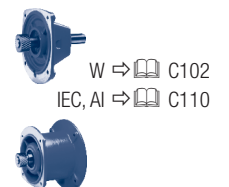


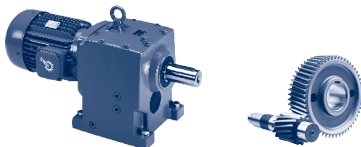
SK 42F



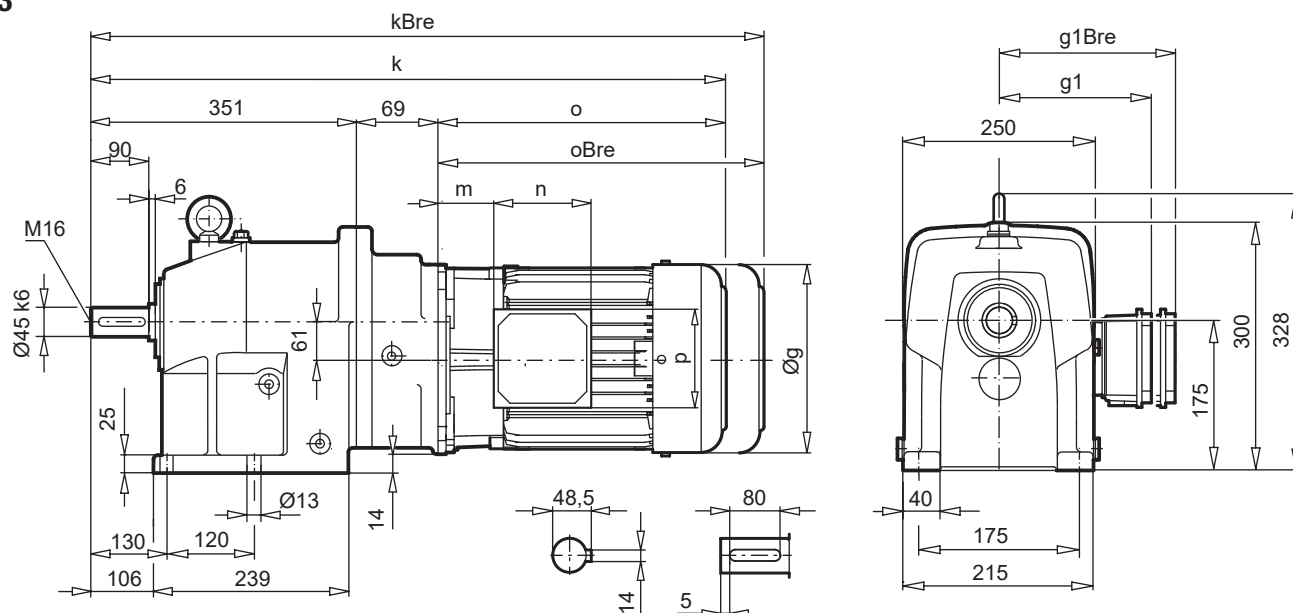
a1	b1	c1	e1	f1	s1
200	130	12	165	3,5	4 x 11
250	180	16	215	4,0	4 x 14

$\pm \Rightarrow$ A60	90 SP/LP	100 LP/AP	112 MP	132 SP/MP	160 SP/MP	160 LP	180 MP/LP
g	183	201	228	266	320	320	348
$g1 / g1Bre$	147 / 147	169 / 173	179 / 182	204 / 201	242 / 242	242 / 242	258 / 258
$k / kBre$	627 / 702	657 / 748	705 / 798	766 / 873	843 / 978	887 / 1022	985 / 1113
$o / oBre$	276 / 351	306 / 397	354 / 447	415 / 522	492 / 627	536 / 671	634 / 762
$m / mBre$	26 / 30	32 / 36	38 / 41	51 / 42	52 / 52	52 / 52	74 / 74
$n / nBre$	114 / 153	114 / 153	114 / 153	122 / 185	186 / 186	186 / 186	186 / 186
$p / pBre$	114 / 108	114 / 108	114 / 108	122 / 139	186 / 186	186 / 186	186 / 186

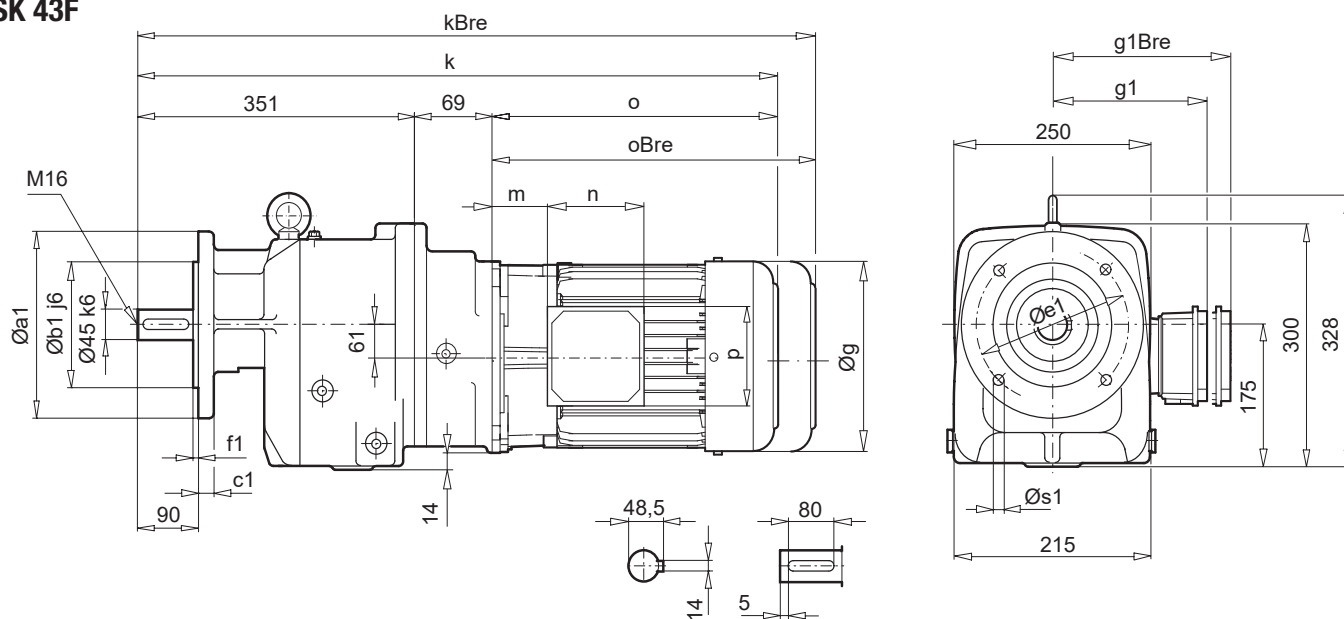




SK 43

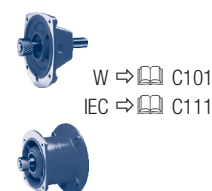


SK 43F



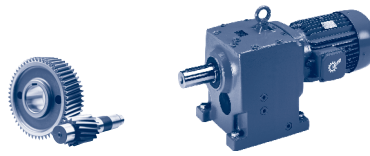
a1	b1	c1	e1	f1	s1
200	130	12	165	3,5	4 x 11
250	180	16	215	4,0	4 x 14

± ⇄ A60	71 SP/LP	80 SP/LP	90 SP/LP	100 LP/AP	112 MP
g	145	165	183	201	228
g1 / g1Bre	124 / 132	142 / 142	147 / 147	169 / 173	179 / 182
k / kBre	650 / 708	675 / 739	716 / 791	746 / 837	794 / 887
o / oBre	230 / 288	255 / 319	296 / 371	326 / 417	374 / 467
m / mBre	36 / 42	41 / 45	46 / 50	52 / 56	68 / 72
n / nBre	100 / 134	114 / 153	114 / 153	114 / 153	114 / 153
p / pBre	100 / 89	114 / 108	114 / 108	114 / 108	114 / 108

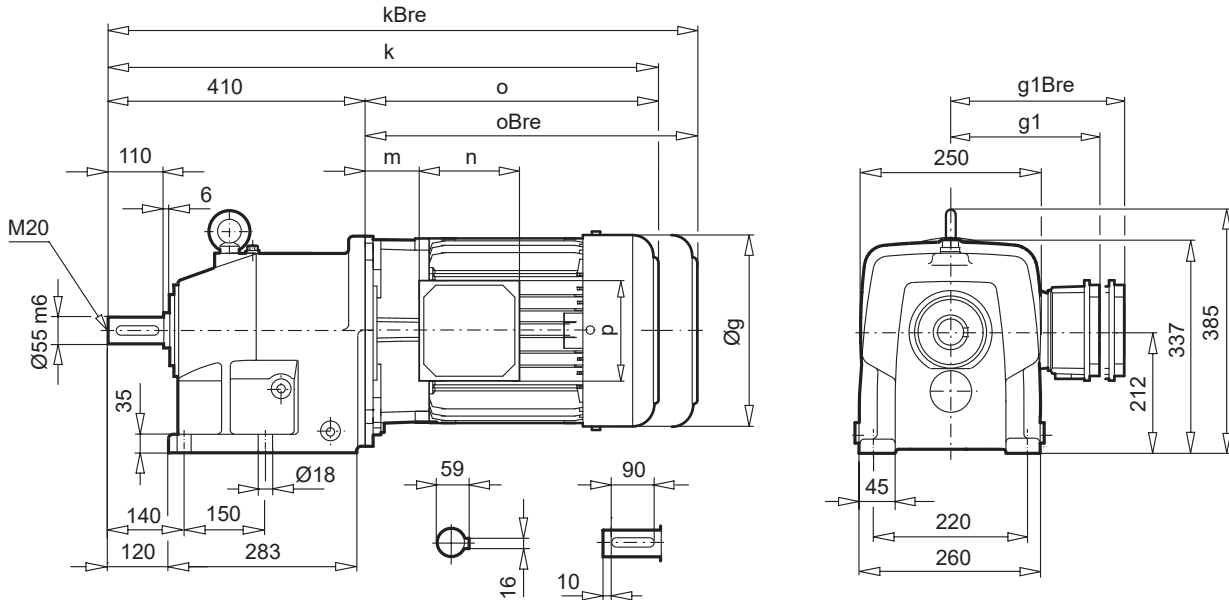


UNICASE™
Helical gear units

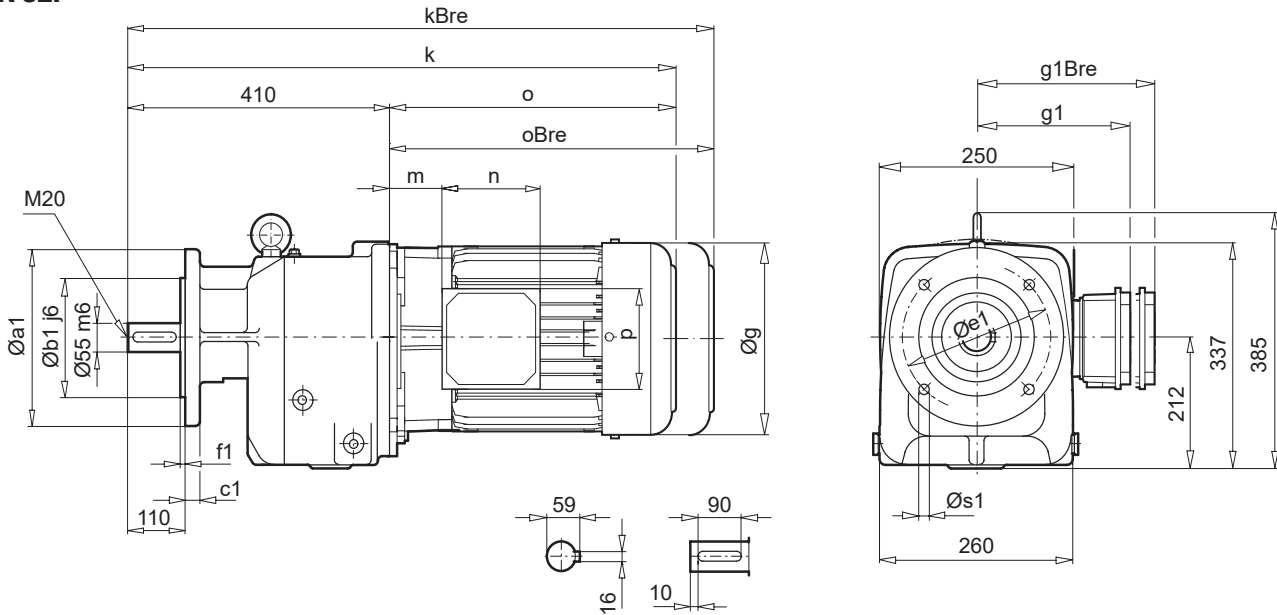
SK 52 SK 52F



SK 52



SK 52F



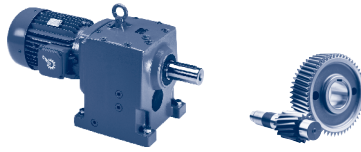
a1	b1	c1	e1	f1	s1
250	180	16	215	4,0	4 x 14
300	230	20	265	4,0	4 x 14

± → A60	90 SP/LP	100 LP/AP	112 MP	132 SP/MP	160 SP/MP	160 LP	180 MP/LP	225 RP/SP
g	183	201	228	266	320	320	348	445
g1 / g1Bre	147 / 147	169 / 173	179 / 182	204 / 201	242 / 242	242 / 242	258 / 258	350 / 348
k / kBre	686 / 761	716 / 807	764 / 857	825 / 932	902 / 1037	946 / 1081	1044 / 1172	1151 / 1331
o / oBre	276 / 351	306 / 397	354 / 447	415 / 522	492 / 627	536 / 671	634 / 762	742 / 922
m / mBre	26 / 30	32 / 36	58 / 61	51 / 42	52 / 52	52 / 52	74 / 74	94 / 94
n / nBre	114 / 153	114 / 153	114 / 153	122 / 185	186 / 186	186 / 186	186 / 186	245 / 245
p / pBre	114 / 108	114 / 108	114 / 108	122 / 139	186 / 186	186 / 186	186 / 186	245 / 245

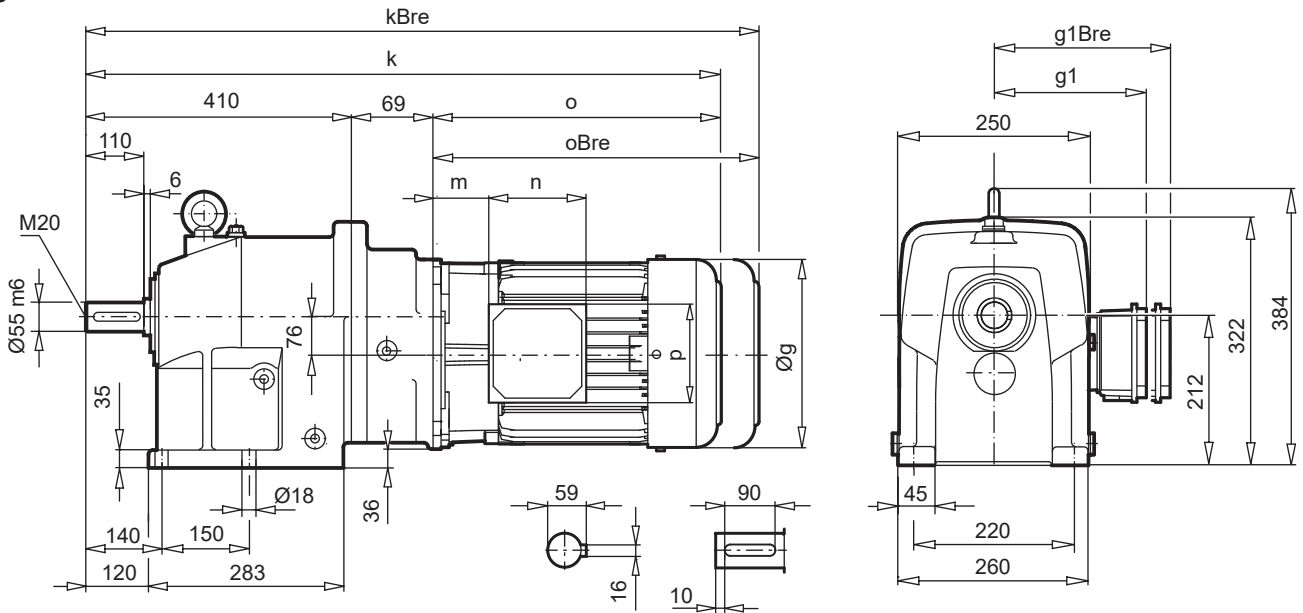


W → C102
IEC, AI → C110

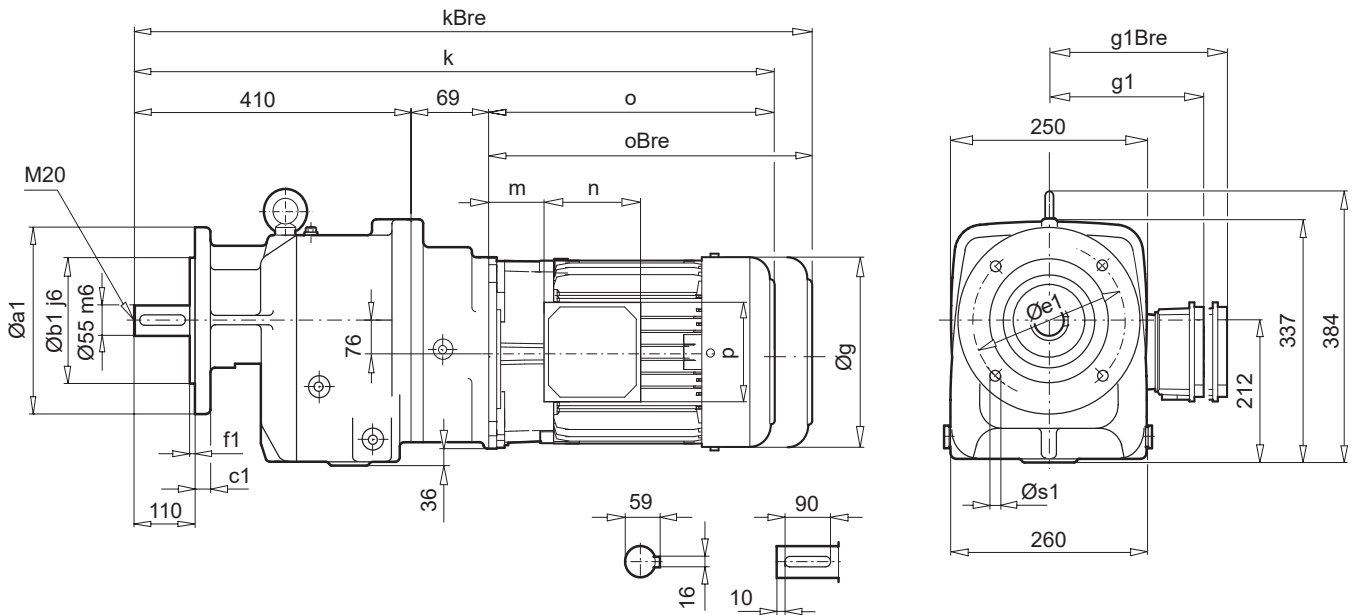




SK 53

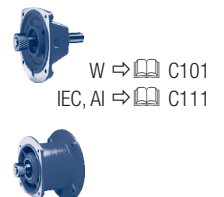


SK 53F



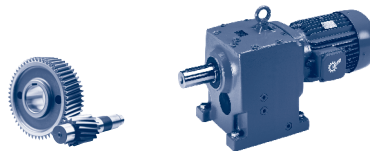
a1	b1	c1	e1	f1	s1
250	180	16	215	4,0	4 x 14
300	230	20	265	4,0	4 x 14

$\pm \Rightarrow$ A60	71 LP	80 SP/LP	90 SP/LP	100 LP/AP	112 MP
g	145	165	183	201	228
$g1 / g1_{Bre}$	124 / 132	142 / 142	147 / 147	169 / 173	179 / 182
k / k_{Bre}	709 / 767	734 / 798	775 / 850	805 / 896	853 / 946
o / o_{Bre}	230 / 288	255 / 319	296 / 371	326 / 417	374 / 467
m / m_{Bre}	36 / 42	41 / 45	46 / 50	52 / 56	68 / 72
n / n_{Bre}	100 / 134	114 / 153	114 / 153	114 / 153	114 / 153
p / p_{Bre}	100 / 89	114 / 108	114 / 108	114 / 108	114 / 108

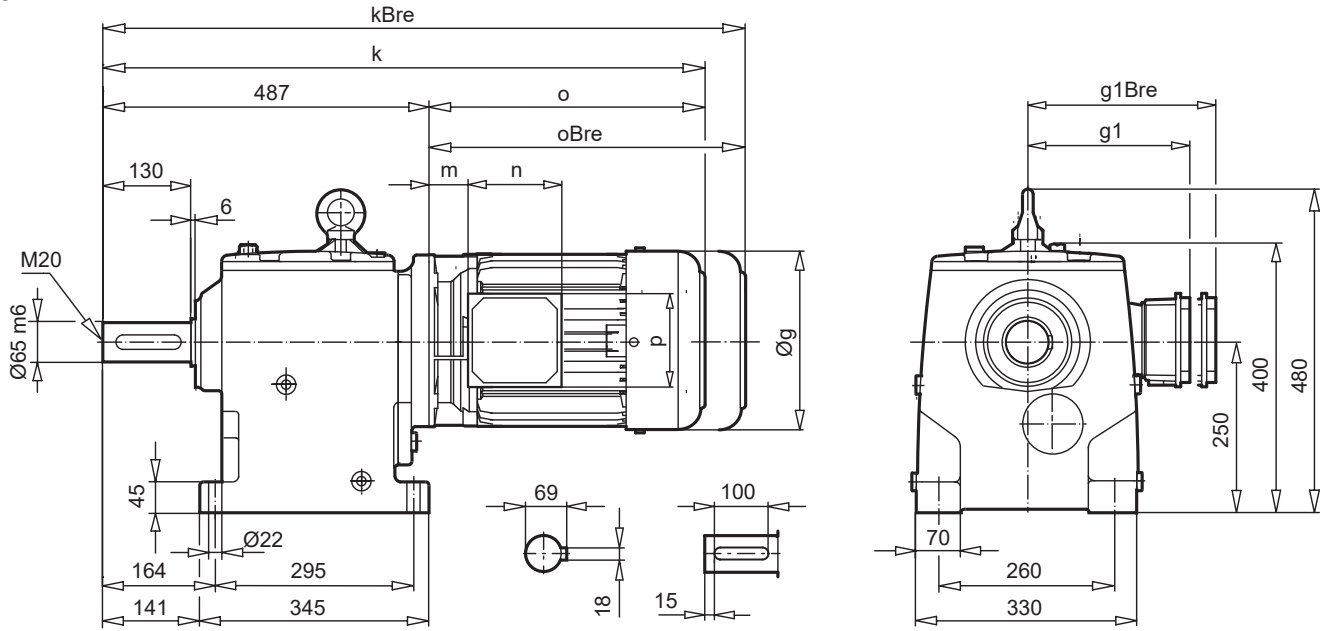


UNICASE™
Helical gear units

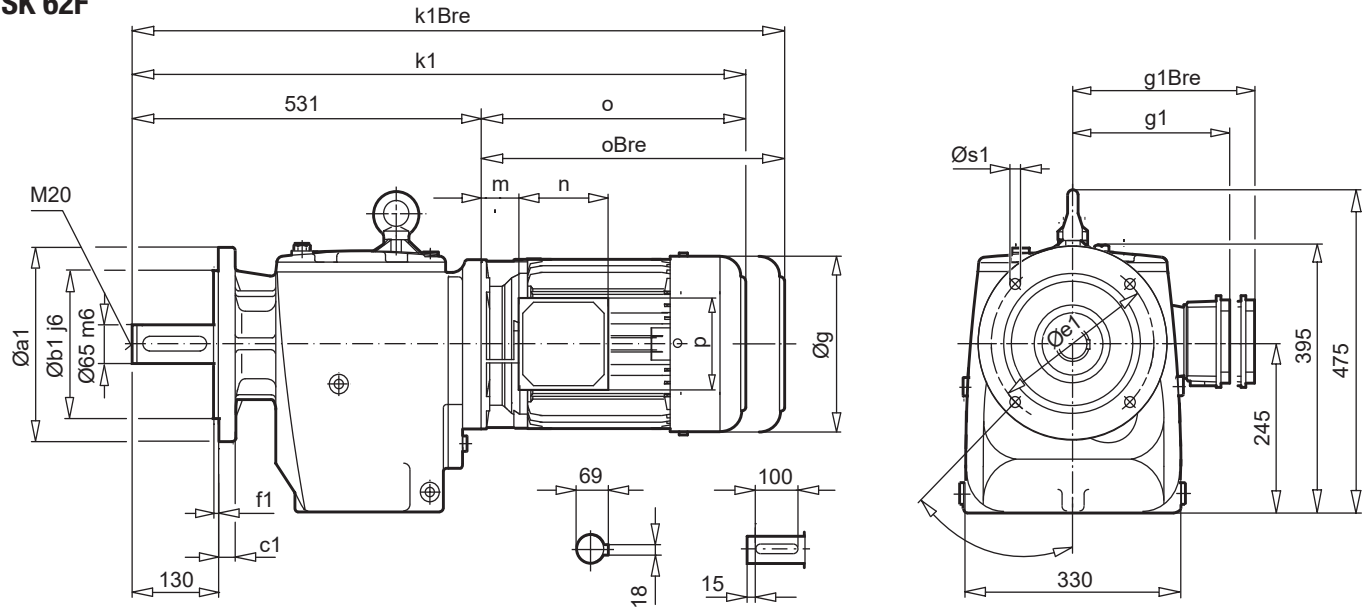
SK 62 SK 62F



SK 62



SK 62F



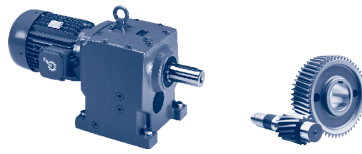
a1	b1	c1	e1	f1	s1
300	230	24	265	4,0	4 x 14

± ⇒ A60	100 LP/AP	112 MP	132 SP/MP	160 SP/MP	160 LP	180 MP/LP	225 RP	225 SP/MP
g	201	228	266	320	320	348	445	445
g1 / g1Bre	169 / 173	179 / 182	204 / 201	242 / 242	242 / 242	258 / 258	350 / 348	350 / 348
k / kBre	792 / 883	838 / 931	922 / 1029	979 / 1114	1023 / 1158	1103 / 1231	1229 / 1409	1229 / 1409
k1 / kBre	836 / 927	882 / 975	966 / 1073	1023 / 1158	1067 / 1202	1145 / 1273	1273 / 1453	1273 / 1453
o / oBre	306 / 397	351 / 444	435 / 542	492 / 627	536 / 671	614 / 742	742 / 922	742 / 922
m / mBre	32 / 36	35 / 38	71 / 62	52 / 52	52 / 52	54 / 54	94 / 94	94 / 94
n / nBre	114 / 153	114 / 153	122 / 185	186 / 186	186 / 186	186 / 186	245 / 245	245 / 245
p / pBre	114 / 108	114 / 108	122 / 139	186 / 186	186 / 186	186 / 186	245 / 245	245 / 245

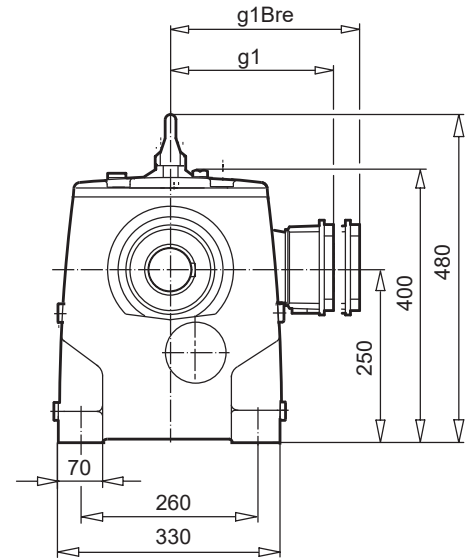
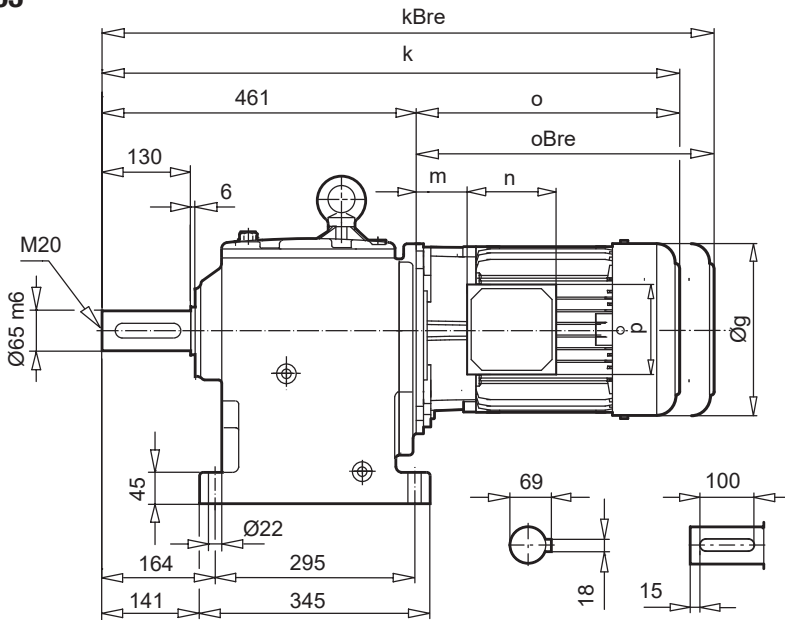


W ⇒ C103
IEC, AI ⇒ C112

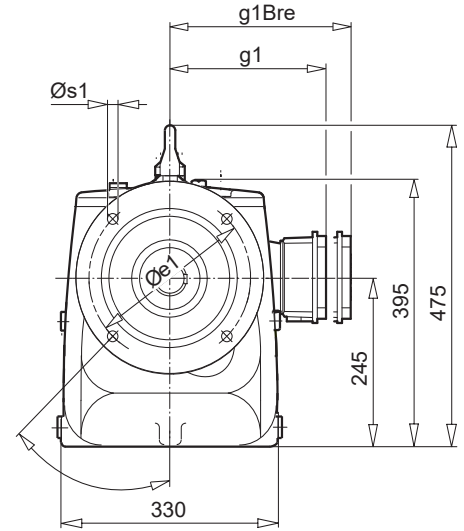
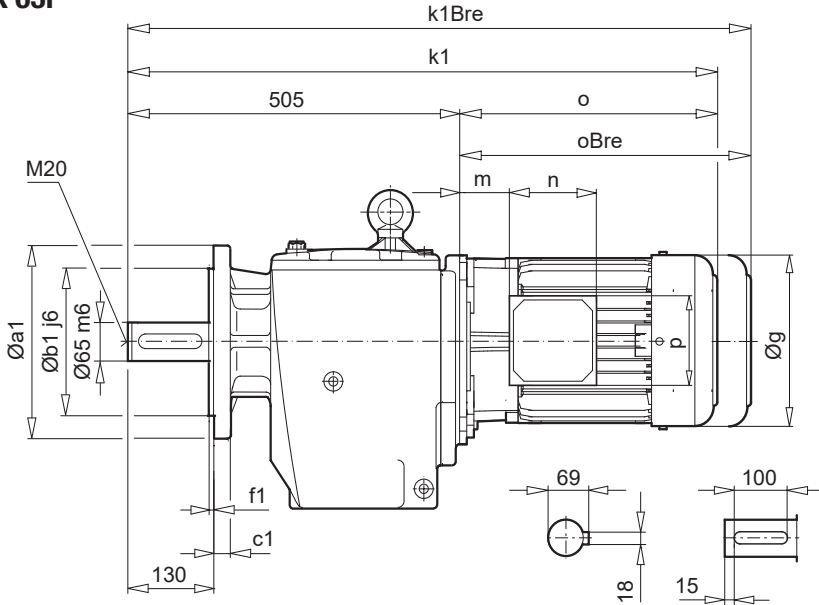




SK 63



SK 63F



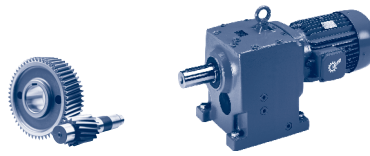
a1	b1	c1	e1	f1	s1
300	230	24	265	4,0	4 x 14

± ↻ A60	90 SP/LP	100 LP/AP	112 MP	132 SP/MP	160 SP/MP	160 LP	180 MP/LP
g	183	201	228	266	320	320	348
g1 / g1Bre	147 / 147	169 / 173	179 / 182	204 / 201	242 / 242	242 / 242	258 / 258
k / kBre	737 / 812	767 / 858	815 / 908	876 / 983	953 / 1088	997 / 1132	1097 / 1225
k1 / kBre	781 / 856	811 / 902	859 / 952	920 / 1027	997 / 1132	1041 / 1176	1139 / 1267
o / oBre	276 / 351	306 / 397	354 / 447	415 / 522	492 / 627	536 / 671	634 / 762
m / mBre	26 / 30	32 / 36	48 / 52	51 / 42	52 / 52	52 / 52	74 / 74
n / nBre	114 / 153	114 / 153	114 / 153	122 / 185	186 / 186	186 / 186	186 / 186
p / pBre	114 / 108	114 / 108	114 / 108	122 / 139	186 / 186	186 / 186	186 / 186

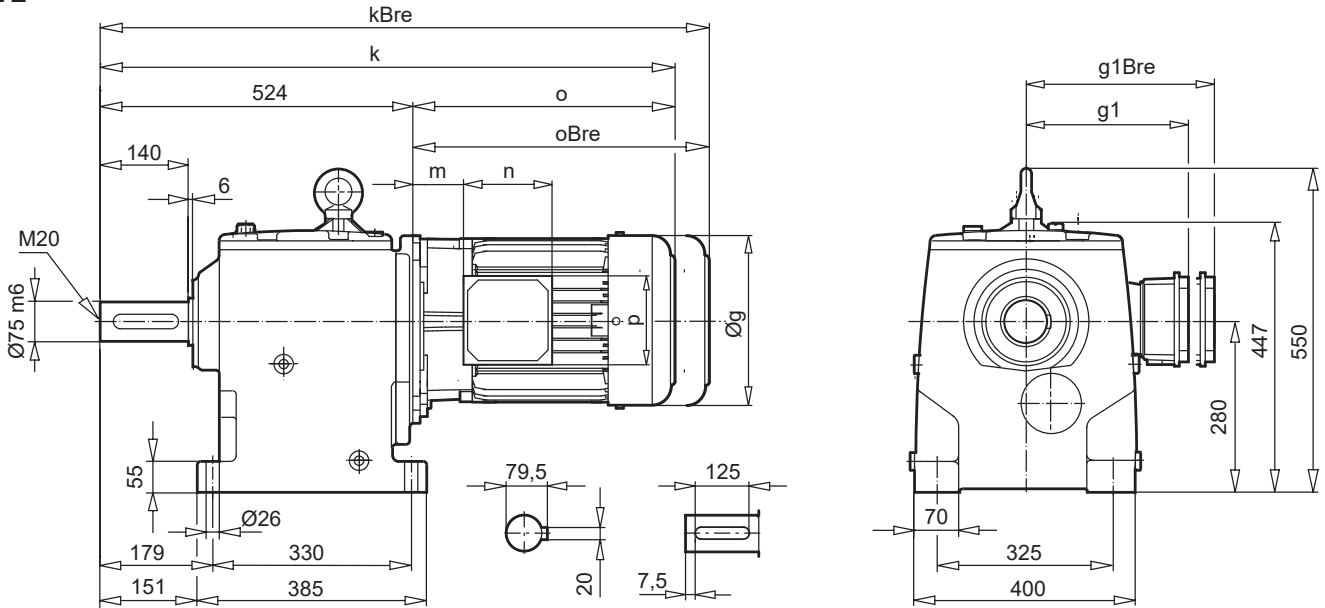


UNICASE™
Helical gear units

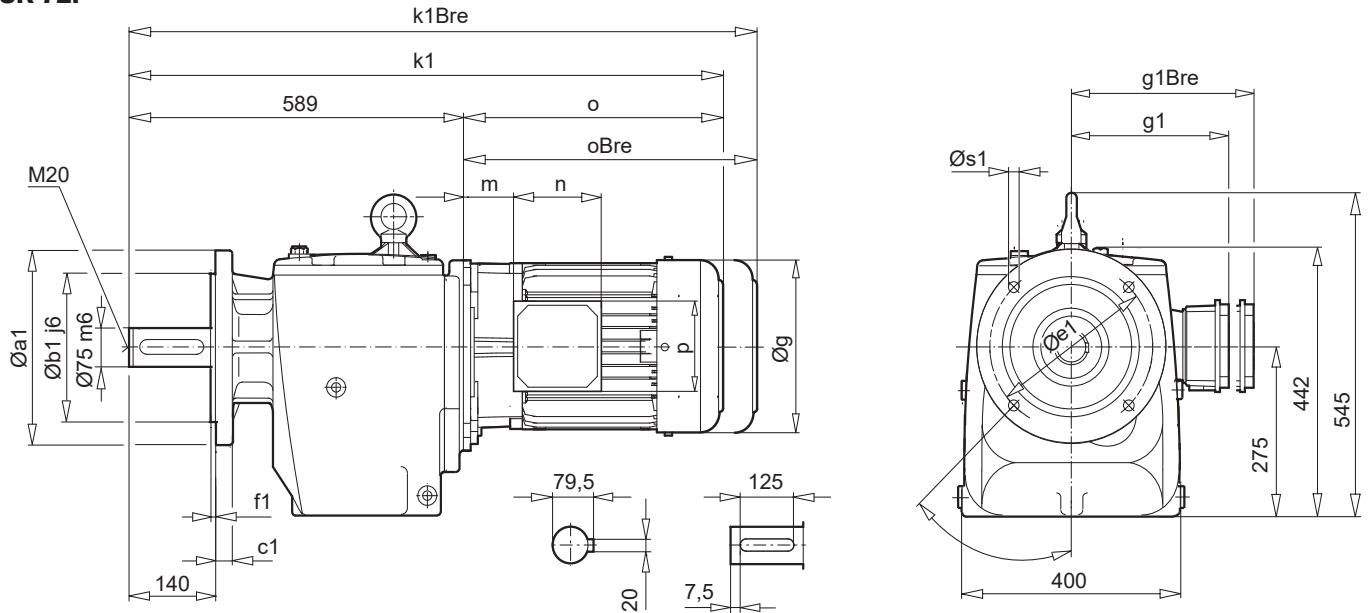
SK 72 SK 72F



SK 72

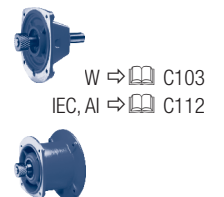


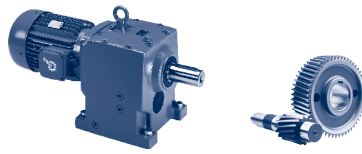
SK 72F



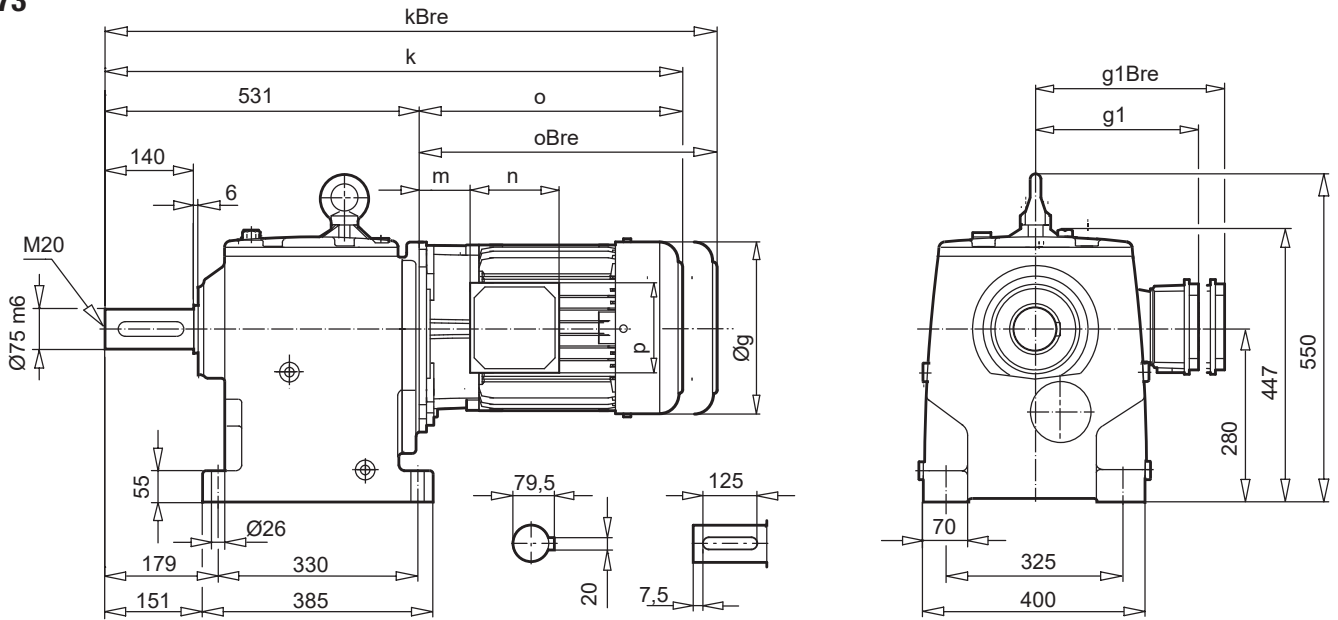
a1	b1	c1	e1	f1	s1
350	250	24	300	5,0	4 x 18

± A60	132 MP	160 SP/MP	160 LP	180 MP/LP	225 RP	225 SP/MP
g	266	320	320	358	445	445
g1 / g1Bre	204 / 201	242 / 242	242 / 242	258 / 258	350 / 348	350 / 348
k / kBre	959 / 1066	1016 / 1151	1060 / 1195	1138 / 1266	1266 / 1446	1266 / 1446
k1 / kBre	1024 / 1131	1081 / 1216	1025 / 1260	1203 / 1331	1331 / 1511	1331 / 1511
o / oBre	435 / 542	492 / 627	536 / 671	614 / 742	742 / 922	742 / 922
m / mBre	71 / 64	52 / 52	52 / 52	54 / 54	94 / 94	94 / 94
n / nBre	122 / 185	186 / 186	186 / 186	186 / 186	245 / 245	245 / 245
p / pBre	122 / 139	186 / 186	186 / 186	186 / 186	245 / 245	245 / 245

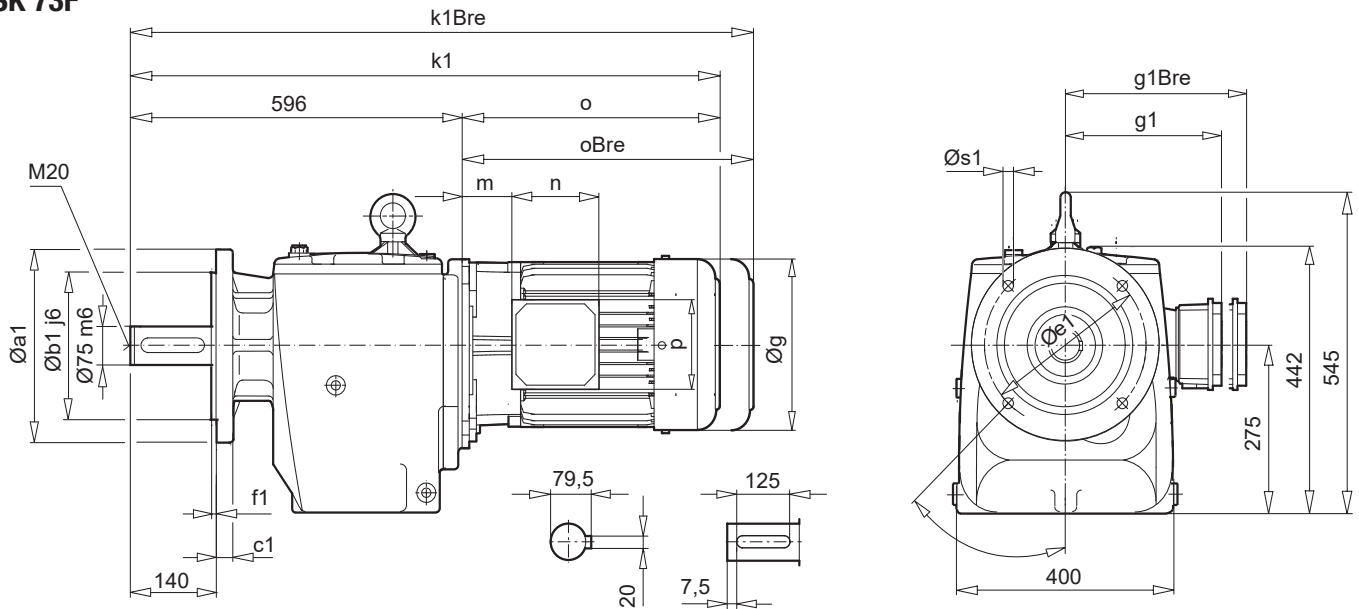




SK 73



SK 73F



a1	b1	c1	e1	f1	s1
350	250	24	300	5,0	4 x 18

± ⇨ A60	100 LP/AP	112 MP	132 SP/MP	160 SP/MP	160 LP	180 MP/LP	225 RP	225 SP/MP
g	201	228	266	320	320	348	445	445
g1 / g1Bre	169 / 173	179 / 182	204 / 201	242 / 242	242 / 242	258 / 258	350 / 348	350 / 348
k / kBre	837 / 928	882 / 975	966 / 1073	1023 / 1158	1067 / 1202	1145 / 1273	1273 / 1453	1273 / 1453
k1 / kBre	902 / 993	947 / 1040	1031 / 1038	1088 / 1223	1132 / 1267	1210 / 1338	1338 / 1518	1338 / 1518
o / oBre	306 / 397	351 / 444	435 / 542	492 / 627	536 / 671	614 / 742	742 / 922	742 / 922
m / mBre	32 / 36	35 / 38	71 / 62	52 / 52	52 / 52	54 / 54	94 / 94	94 / 94
n / nBre	114 / 153	114 / 153	122 / 185	186 / 186	186 / 186	186 / 186	245 / 245	245 / 245
p / pBre	114 / 108	114 / 108	122 / 139	186 / 186	186 / 186	186 / 186	245 / 245	245 / 245

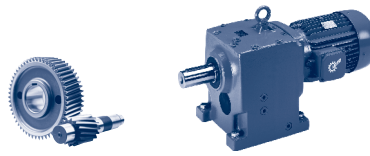


W ⇨ C103
IEC, AI ⇨ C113

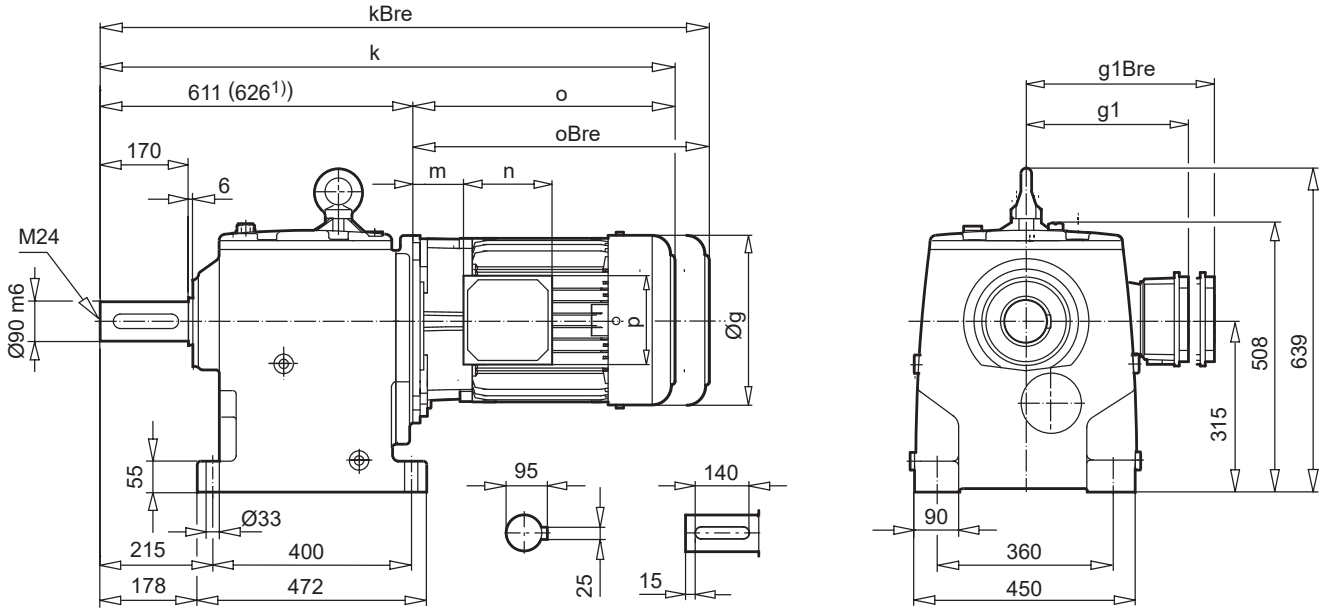


UNICASE™
Helical gear units

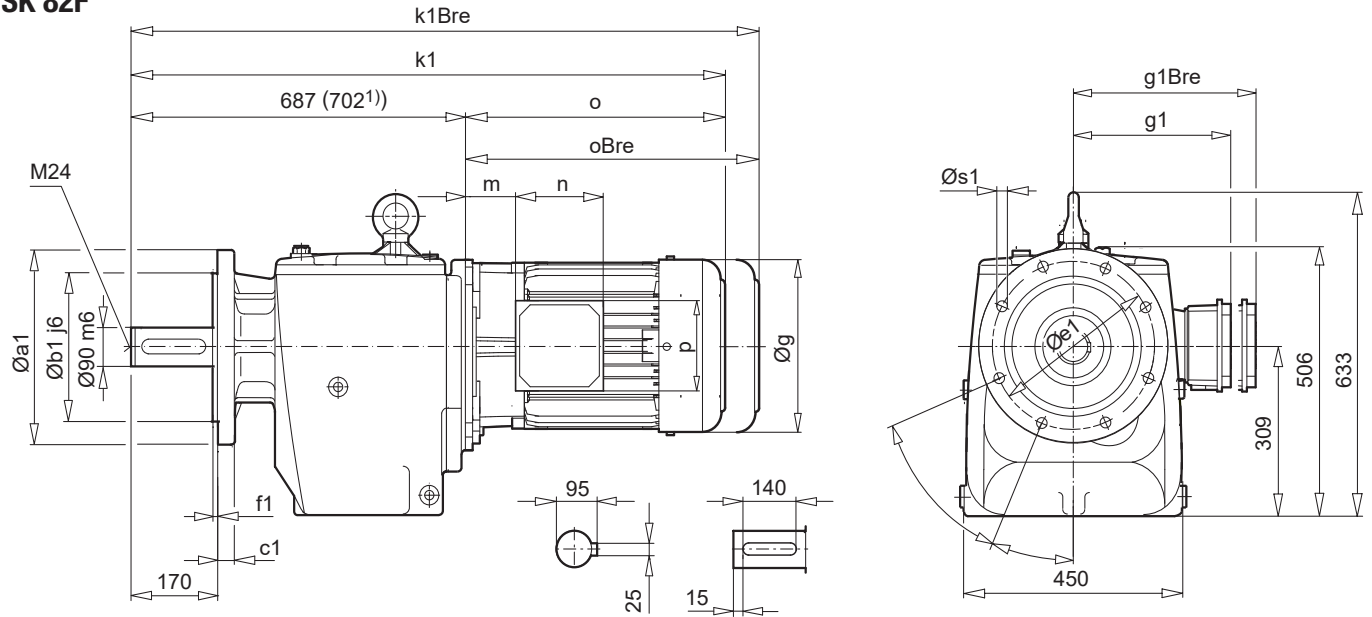
SK 82 SK 82F



SK 82



SK 82F

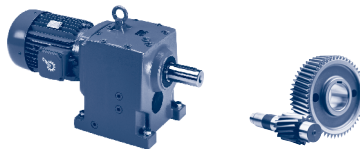


a1	b1	c1	e1	f1	s1
450	350	26	400	5,0	4 x 18

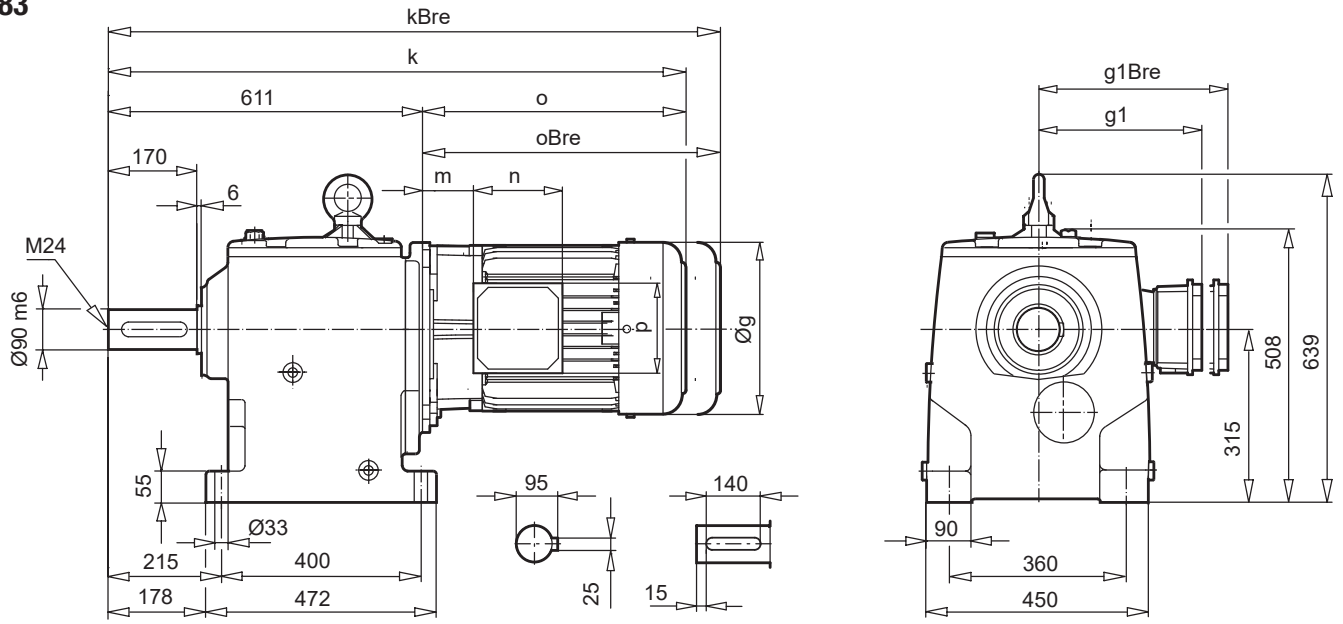
± ⇨ A60	160 SP/MP	160 LP	180 MP/LP	225 RP	225 SP/MP	250 WP¹)
g	320	320	358	445	445	445
g1 / g1Bre	242 / 242	242 / 242	258 / 258	350 / 348	350 / 348	350 / 348
k / kBre	1103 / 1238	1147 / 1282	1227 / 1355	1353 / 1533	1353 / 1533	1368 / 1548
k1 / kBre	1179 / 1314	1223 / 1358	1301 / 1429	1429 / 1609	1429 / 1609	1444 / 1624
o / oBre	492 / 627	536 / 671	614 / 742	742 / 922	742 / 922	742 / 922
m / mBre	52 / 52	52 / 52	54 / 54	94 / 94	94 / 94	94 / 94
n / nBre	186 / 186	186 / 186	186 / 186	245 / 245	245 / 245	245 / 245
p / pBre	186 / 186	186 / 186	186 / 186	245 / 245	245 / 245	245 / 245



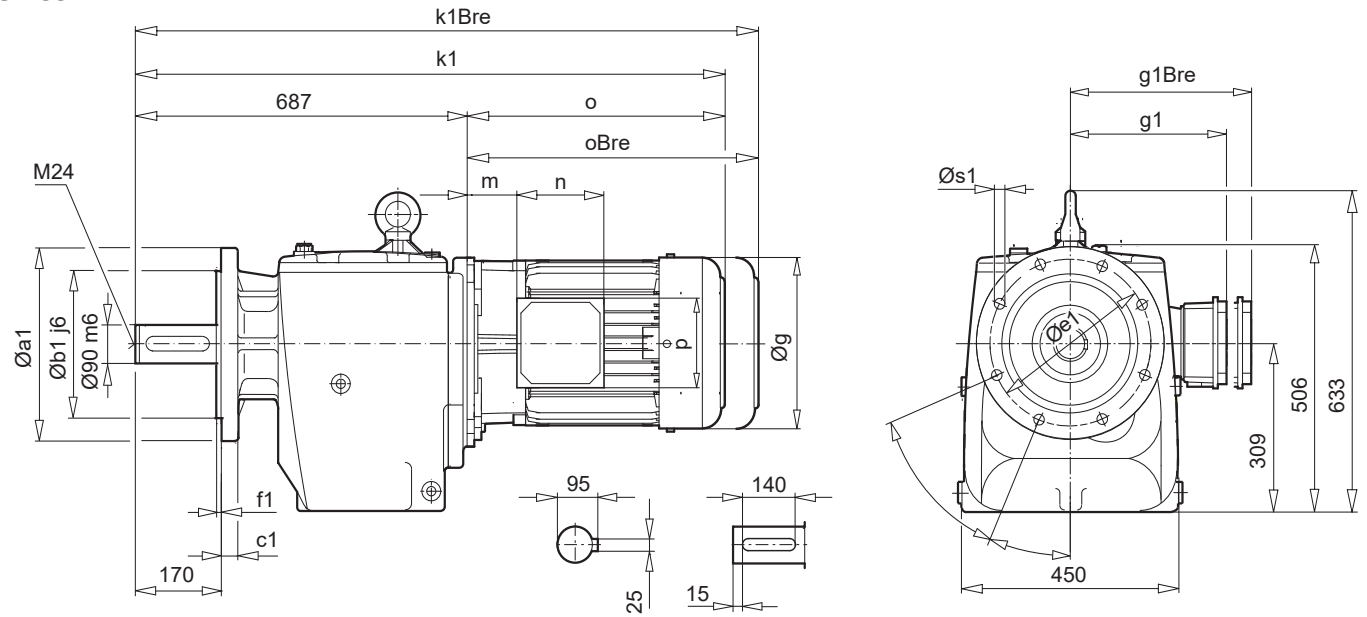
W ⇨ C104
IEC, AI ⇨ C114



SK 83

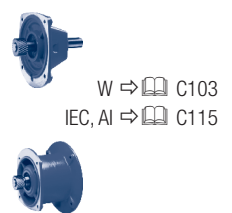


SK 83F



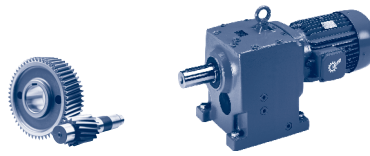
a1	b1	c1	e1	f1	s1
450	350	26	400	5,0	4 x 18

± A60	100 LP/AP	112 MP	132 SP/MP	160 SP/MP	160 LP	180 MP/LP	225 RP	225 SP/MP
g	201	228	266	320	320	348	445	445
g1 / g1Bre	169 / 173	179 / 182	204 / 201	242 / 242	242 / 242	258 / 258	350 / 348	350 / 348
k / kBre	917 / 1008	962 / 1055	1046 / 1153	1103 / 1238	1147 / 1282	1227 / 1355	1353 / 1533	1353 / 1533
k1 / kBre	996 / 1084	1038 / 1131	1122 / 1228	1179 / 1314	1223 / 1358	1301 / 1429	1429 / 1609	1429 / 1609
o / oBre	306 / 397	351 / 444	435 / 542	492 / 627	536 / 671	614 / 742	742 / 922	742 / 922
m / mBre	32 / 36	35 / 38	71 / 62	52 / 52	52 / 52	54 / 54	94 / 94	94 / 94
n / nBre	114 / 153	114 / 153	122 / 185	186 / 186	186 / 186	186 / 186	245 / 245	245 / 245
p / pBre	114 / 108	114 / 108	122 / 139	186 / 186	186 / 186	186 / 186	245 / 245	245 / 245

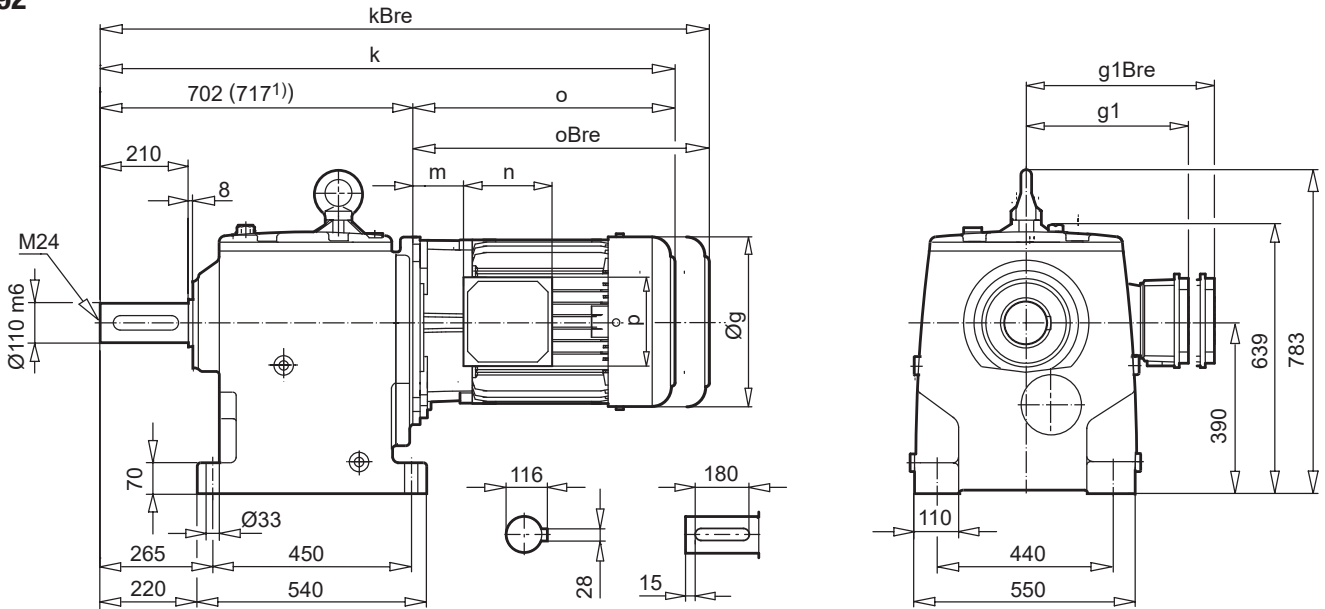


UNICASE™
Helical gear units

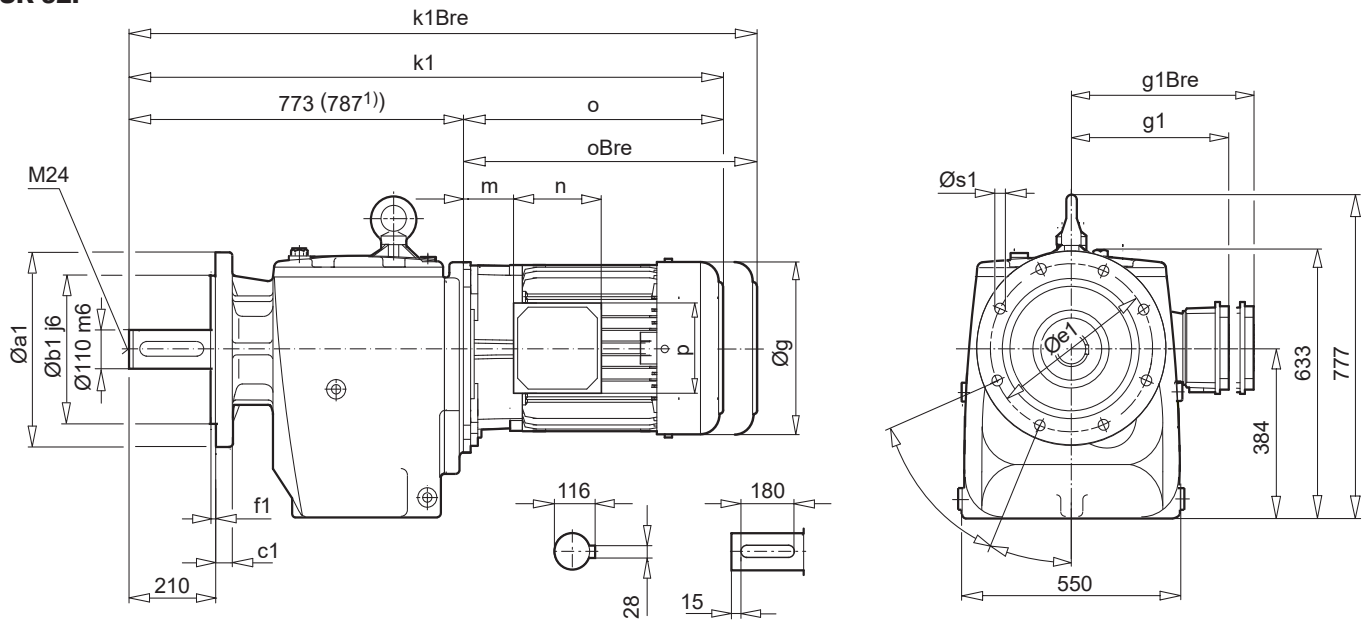
SK 92 SK 92F



SK 92

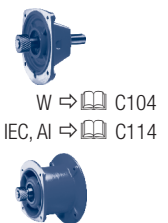


SK 92F

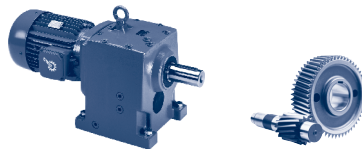


a1	b1	c1	e1	f1	s1
450	350	26	400	5,0	4 x 18

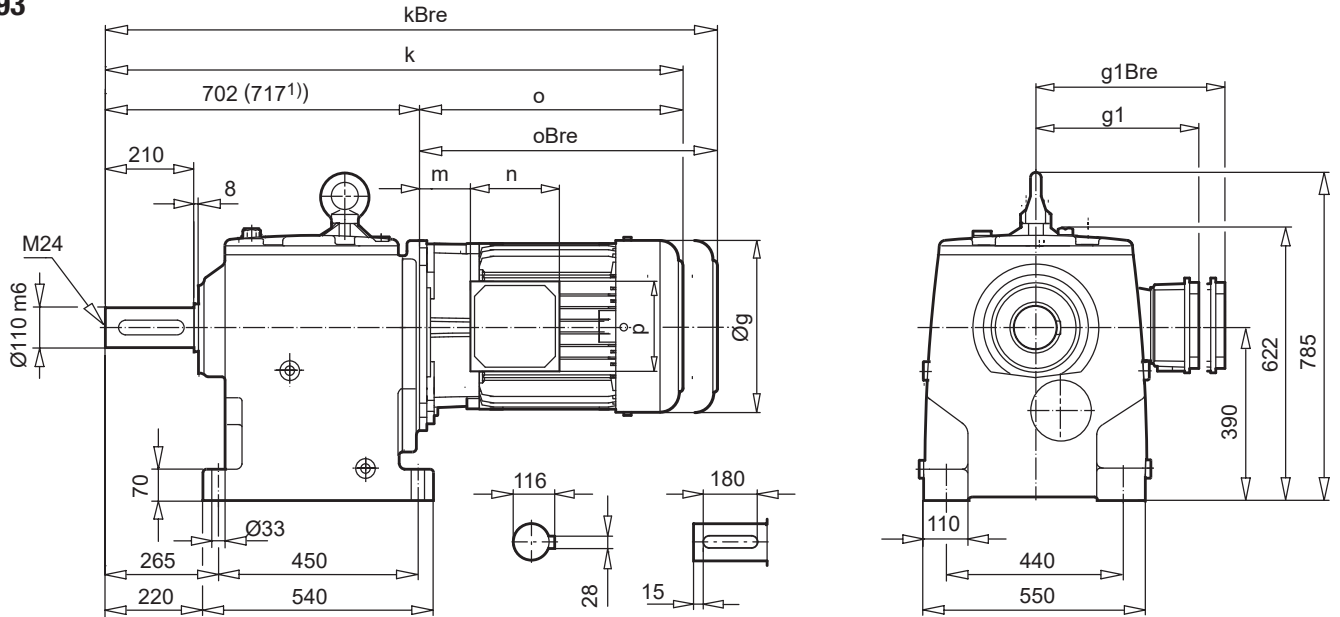
± \Rightarrow A60	160 SP/MP	160 LP	180 MP/LP	225 SP	225 MP/RP	250 WP ¹⁾
g	320	320	358	445	445	445
g1 / g1Bre	242 / 242	242 / 242	258 / 258	350 / 348	350 / 348	350 / 348
k / kBre	1194 / 1329	1238 / 1373	1317 / 1444	1443 / 1623	1443 / 1623	1459 / 1639
k1 / kBre	1265 / 1315	1309 / 1444	1388 / 1515	1515 / 1695	1515 / 1695	1529 / 1709
o / oBre	492 / 627	536 / 671	616 / 744	742 / 922	742 / 922	742 / 922
m / mBre	52 / 52	52 / 52	54 / 54	94 / 94	94 / 94	94 / 94
n / nBre	186 / 186	186 / 186	186 / 186	245 / 245	245 / 245	245 / 245
p / pBre	186 / 186	186 / 186	186 / 186	245 / 245	245 / 245	245 / 245



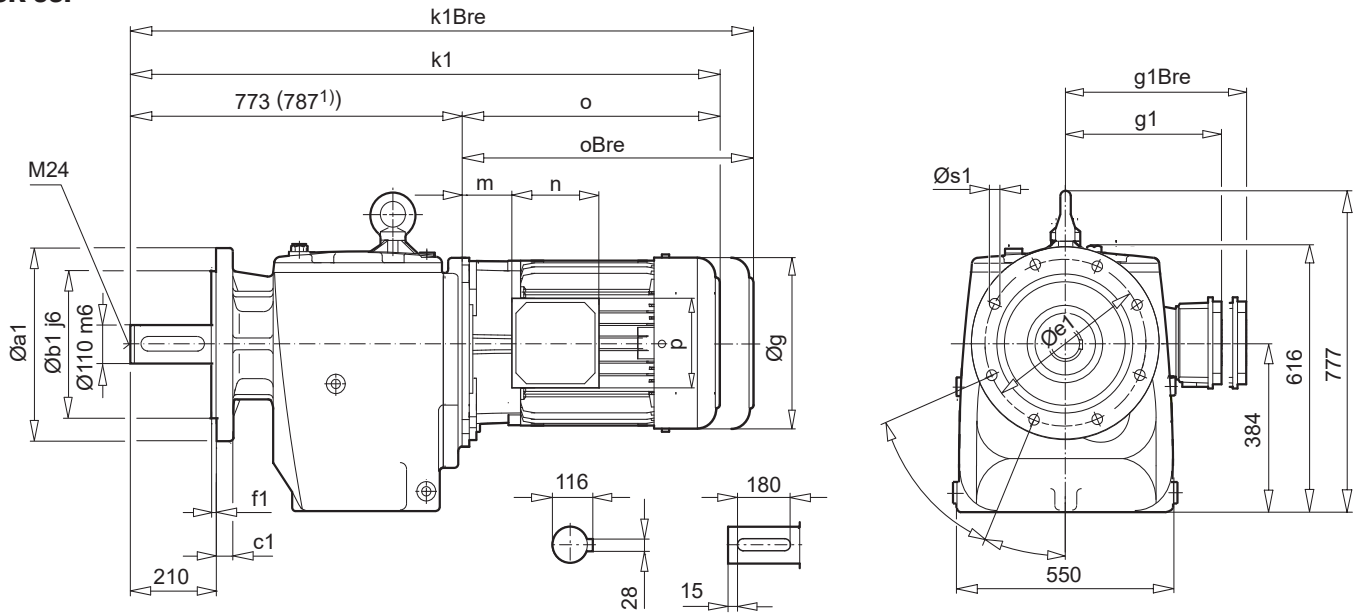
UNICASE™
Helical gear units



SK 93

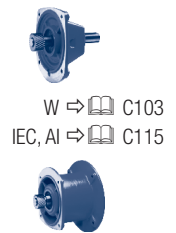


SK 93F



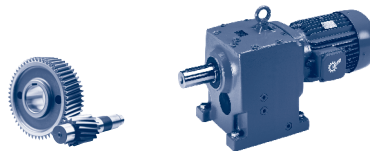
a1	b1	c1	e1	f1	s1
450	350	28	400	5,0	4 x 18

± ⇄ A60	132 SP/MP	160 SP/MP	160 LP	180 MP/LP	225 RP	225 SP/MP	250 WP¹)
g	266	320	320	348	445	445	445
g1 / g1Bre	204 / 201	242 / 242	242 / 242	258 / 258	350 / 348	350 / 348	350 / 348
k / kBre	1137 / 1244	1194 / 1329	1238 / 1373	1318 / 1446	1444 / 1624	1444 / 1624	1459 / 1639
k1 / kBre	1208 / 1315	1265 / 1400	1309 / 1444	1387 / 1515	1515 / 1695	1515 / 1695	1529 / 1709
o / oBre	435 / 542	492 / 627	536 / 671	614 / 742	742 / 922	742 / 922	742 / 922
m / mBre	71 / 62	52 / 52	52 / 52	54 / 54	94 / 94	94 / 94	94 / 94
n / nBre	122 / 185	186 / 186	186 / 186	186 / 186	245 / 245	245 / 245	245 / 245
p / pBre	122 / 139	186 / 186	186 / 186	186 / 186	245 / 245	245 / 245	245 / 245

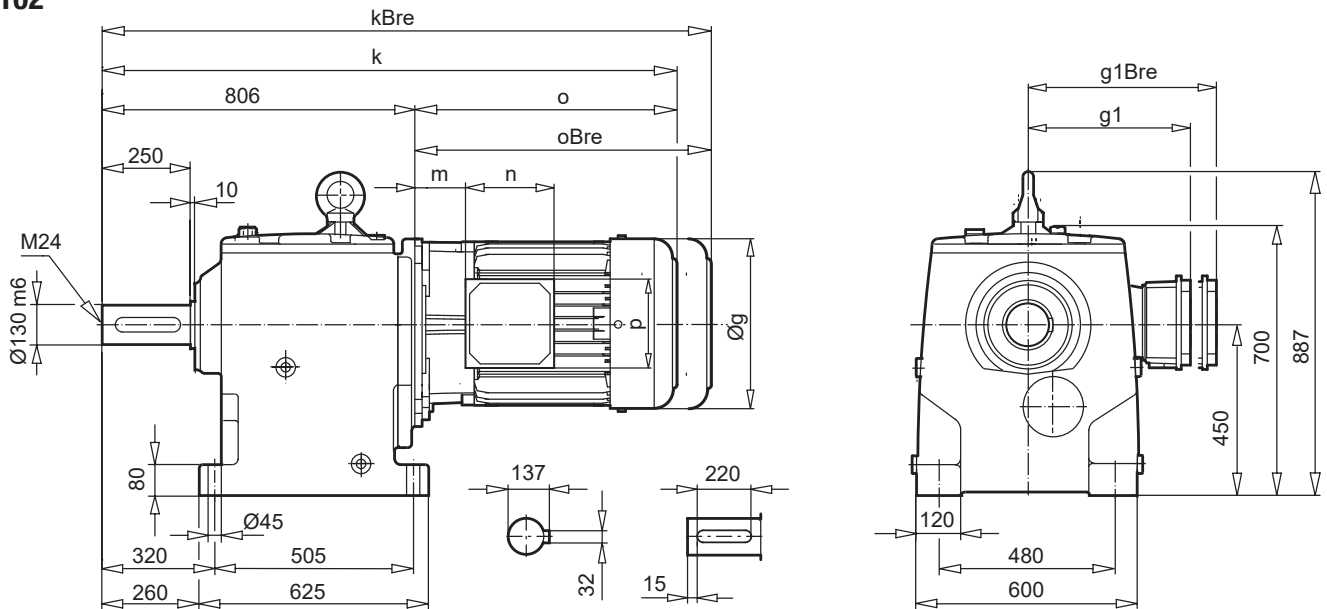


UNICASE™
Helical gear units

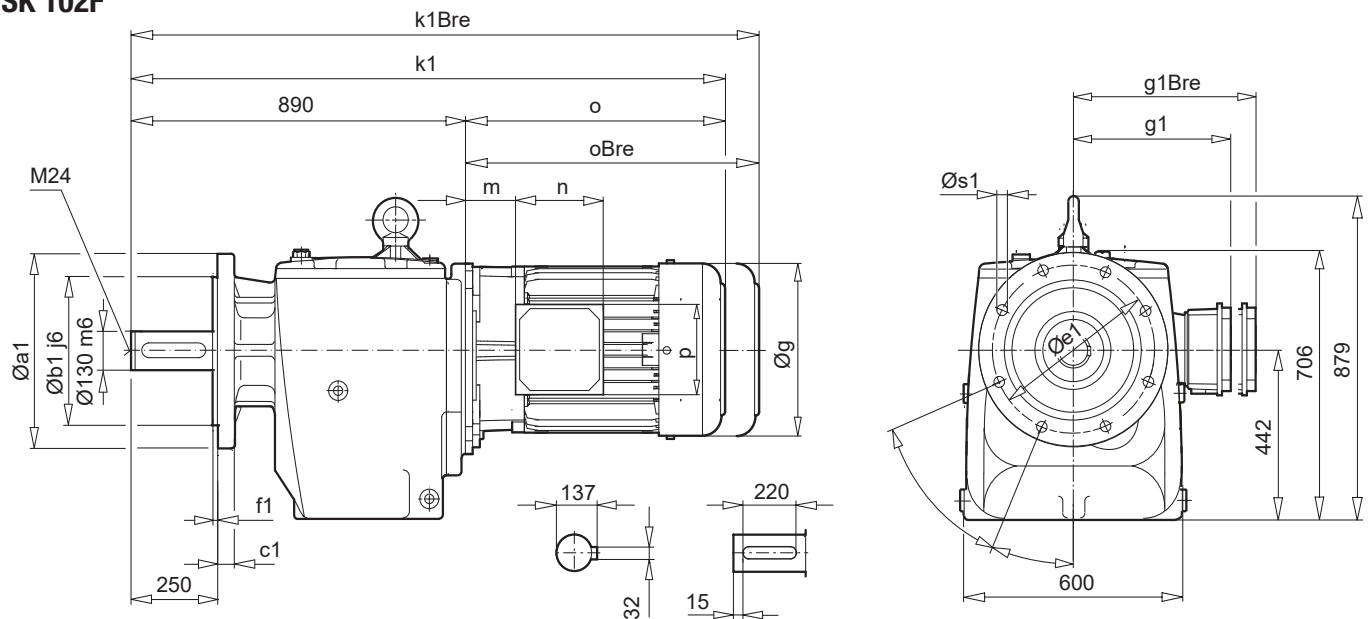
SK 102 SK 102F



SK 102



SK 102F



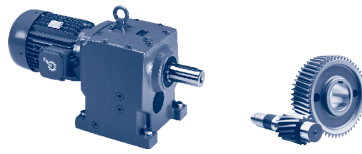
a1	b1	c1	e1	f1	s1
550	450	32	500	5,0	4 x 18

± → A60	250 WP	
g	445	
g1 / g1Bre	350 / 348	
k / kBre	1548 / 1728	
k1 / kBre	1632 / 1812	
o / oBre	742 / 922	
m / mBre	94 / 94	
n / nBre	245 / 245	
p / pBre	245 / 245	

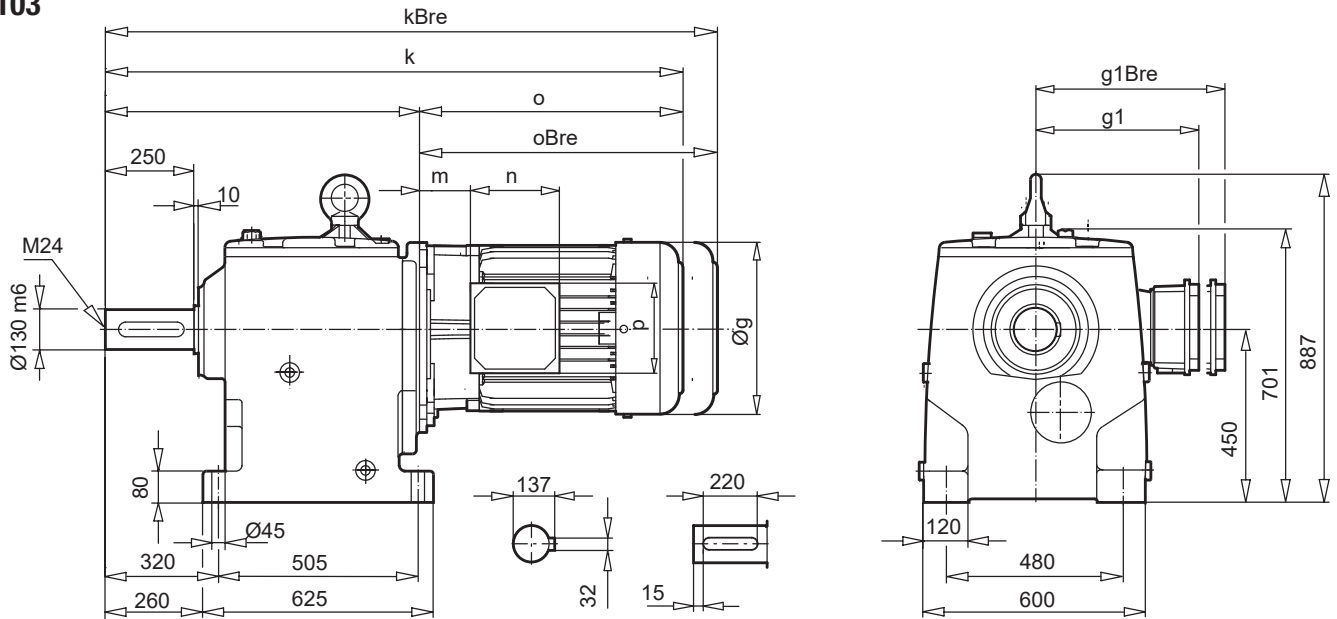


W → C104
IEC, AI → C116

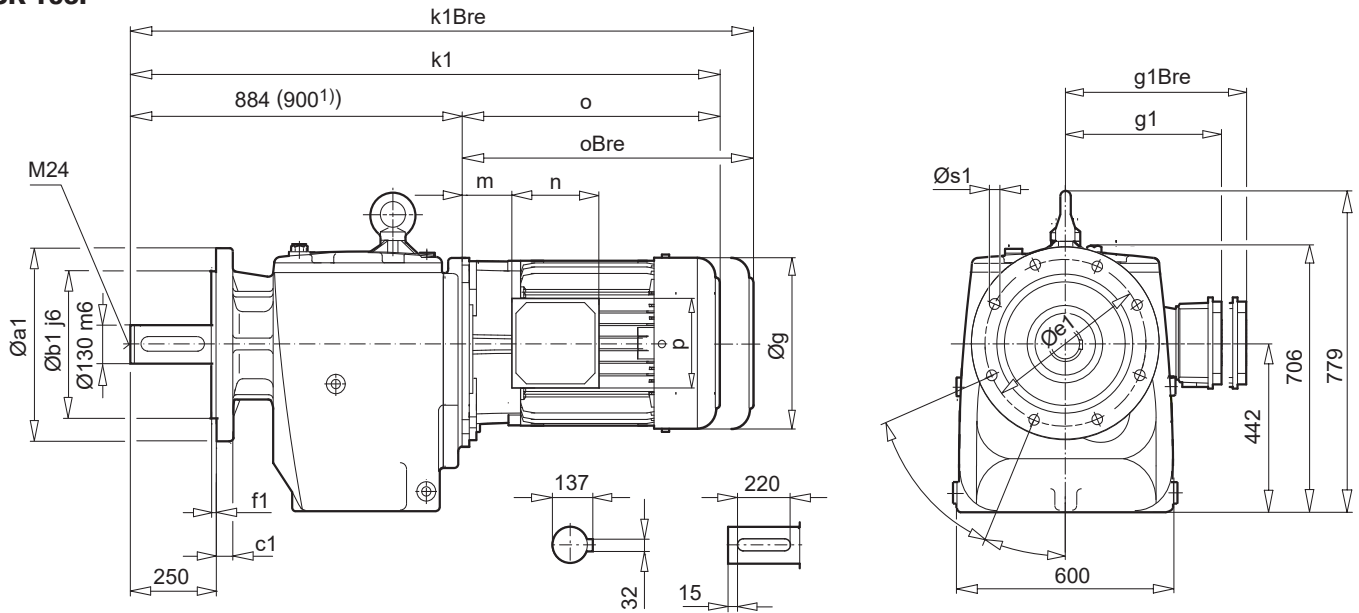




SK 103

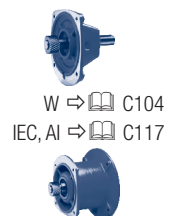


SK 103F



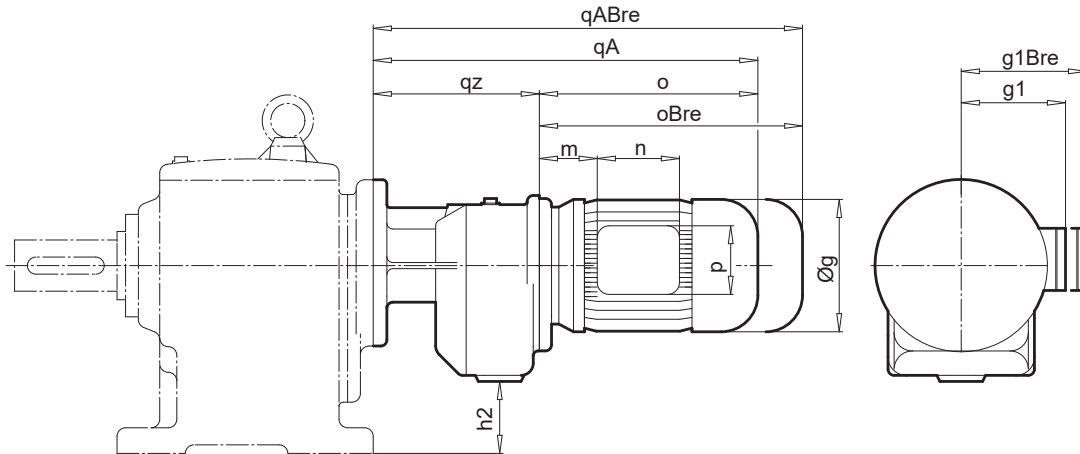
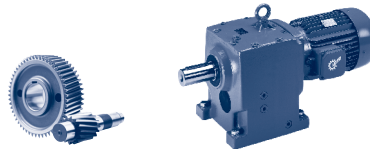
a1	b1	c1	e1	f1	s1
550	450	32	500	5,0	4 x 18

± ⇨ A60	132 SP/MP	160 SP/MP	160 LP	180 MP/LP	225 RP	225 SP/MP	250 WP¹)
g	266	320	320	348	445	445	445
g1 / g1Bre	204 / 201	242 / 242	242 / 242	258 / 258	350 / 348	350 / 348	350 / 348
k / kBre	1234 / 1341	1291 / 1426	1335 / 1470	1415 / 1543	1541 / 1721	1541 / 1721	1557 / 1737
k1 / kBre	1319 / 1426	1376 / 1511	1420 / 1555	1498 / 1626	1626 / 1806	1626 / 1806	1642 / 1822
o / oBre	435 / 542	492 / 627	536 / 671	614 / 742	742 / 922	742 / 922	742 / 922
m / mBre	71 / 62	52 / 52	52 / 52	54 / 54	94 / 94	94 / 94	94 / 94
n / nBre	122 / 185	186 / 186	186 / 186	186 / 186	245 / 245	245 / 245	245 / 245
p / pBre	122 / 139	186 / 186	186 / 186	186 / 186	245 / 245	245 / 245	245 / 245



UNICASE™
Helical gear units

SK 12/02 - SK 83/32

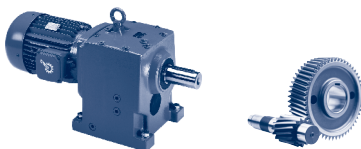


UNICASE™
Helical gear units

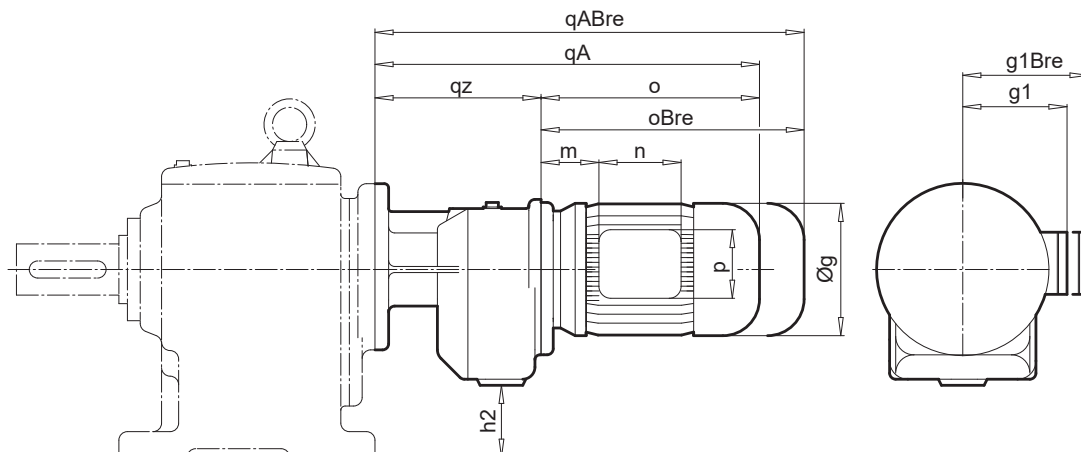
⇒	SK 12/02		SK 22/02			SK 32/12			
	63 SP/LP	71 SP/LP	63 SP/LP	71 SP/LP	80 SP	63 SP/LP	71 SP	80 SP	
g	130	145	130	145	165	130	145	165	
g1 / g1Bre	115 / 123	124 / 132	115 / 123	124 / 132	142 / 142	115 / 123	124 / 132	142 / 142	
qA / qABre	338 / 394	378 / 436	354 / 410	394 / 452	419 / 483	367 / 410	407 / 465	432 / 496	
o / oBre	196 / 252	236 / 294	196 / 252	236 / 294	261 / 325	196 / 423	236 / 294	261 / 325	
qz	142		158			171			
m / mBre	16 / 22	42 / 48	16 / 22	42 / 48	47 / 51	16 / 22	42 / 48	47 / 51	
n / nBre	100 / 134	100 / 134	100 / 134	100 / 134	114 / 153	100 / 134	100 / 134	114 / 153	
p / pBre	100 / 89	100 / 89	100 / 89	100 / 89	114 / 108	100 / 89	100 / 89	114 / 108	
h2	13		36			49			
⇒	SK 12 ⇒		SK 22 ⇒			SK 32 ⇒			

⇒	SK 42/12				SK 52/12				
	63 SP/LP	71 SP/LP	80 SP	90 LP	63 SP/LP	71 SP/LP	80 SP	80 LP	
g	130	145	165	183	130	145	165	165	
g1 / g1Bre	115 / 123	124 / 132	142 / 142	147 / 147	115 / 123	124 / 132	142 / 142	142 / 142	
qA / qABre	371 / 427	411 / 469	436 / 500	477 / 552	371 / 427	411 / 469	436 / 500	436 / 500	
o / oBre	196 / 252	236 / 294	261 / 325	302 / 377	196 / 252	236 / 294	261 / 325	261 / 325	
qz	175				175				
m / mBre	16 / 22	42 / 48	47 / 51	52 / 56	16 / 22	42 / 48	47 / 51	47 / 51	
n / nBre	100 / 134	100 / 134	114 / 153	114 / 153	100 / 134	100 / 134	114 / 153	114 / 153	
p / pBre	100 / 89	100 / 89	114 / 108	114 / 108	100 / 89	100 / 89	114 / 108	114 / 108	
h2	69				106				
⇒	SK 42 ⇒				SK 52 ⇒				

⇒	SK 63/22, SK 73/22*				SK 63/23, SK 73/23*		SK 73/32, SK 83/32*					
	71 LP	80 SP/LP	90 SP/LP	100 LP/AP*	63 SP	63 SP	80 SP/LP*	90 SP/LP	100 LP/AP	112 MP	132 SP	
g	145	165	183	201	130	130	165	183	201	228	266	
g1 / g1Bre	124 / 132	142 / 142	147 / 147	169 / 173	115 / 123	115 / 123	142 / 142	147 / 147	169 / 173	179 / 182	204 / 201	
qA / qABre	410 / 468	435 / 499	476 / 551	506 / 597	435 / 491	435 / 491	474 / 498	515 / 590	545 / 636	593 / 686	654 / 761	
o / oBre	230 / 288	255 / 319	296 / 371	326 / 417	196 / 252	196 / 252	255 / 319	296 / 371	326 / 417	374 / 467	435 / 542	
qz	180				239		219					
m / mBre	36 / 42	41 / 45	46 / 50	52 / 56	16 / 22	16 / 22	41 / 45	46 / 50	52 / 56	58 / 61	71 / 62	
n / nBre	100 / 134	114 / 153	114 / 153	114 / 153	100 / 134	100 / 134	114 / 153	114 / 153	114 / 153	114 / 153	122 / 185	
p / pBre	100 / 89	114 / 108	114 / 108	114 / 108	100 / 89	100 / 89	114 / 108	114 / 108	114 / 108	114 / 108	122 / 139	
h2	125, 155*				125, 155*		125, 160*					
⇒	SK 63 ⇒ , SK 73 ⇒				SK 73 ⇒ , SK 83 ⇒							



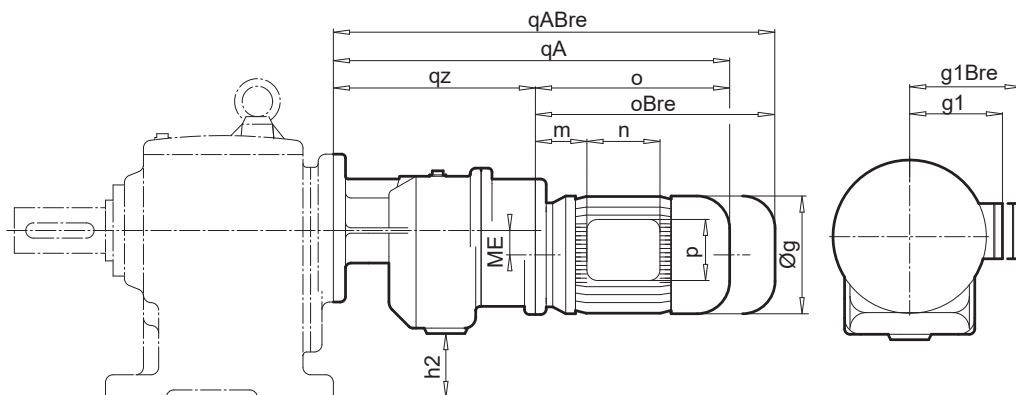
SK 83/42 - SK 103/52 SK 63/23 - SK 103/53



⇒ A60	SK 83/42, SK 93/42*					SK 93/52		SK 103/52						
	90 SP/LP	100 LP/AP	112 MP	132 SP/MP	160 SP*	132 MP	180 MP	90 LP	100 LP/AP	112 MP	132SP/MP	160SP/MP	160 LP	180 MP/LP
g	183	201	228	266	320	266	358	183	201	228	266	320	320	358
g1 / g1Bre	147 / 147	169 / 173	179 / 182	204 / 201	242 / 242	204 / 201	258 / 258	147 / 147	169 / 173	179 / 182	204 / 201	242 / 242	242 / 242	258 / 258
qA / qABre	537 / 612	567 / 658	615 / 708	676 / 783	753 / 888	715 / 822	934 / 1062	576 / 651	606 / 697	654 / 747	715 / 822	792 / 927	836 / 971	934 / 1062
o / oBre	276 / 351	306 / 397	354 / 447	415 / 522	492 / 627	435 / 542	634 / 762	276 / 351	306 / 397	354 / 447	415 / 522	492 / 627	536 / 671	634 / 762
qz	261					300		300						
m / mBre	26 / 30	32 / 36	38 / 41	51 / 42	52 / 52	51 / 42	74 / 74	26 / 30	32 / 36	38 / 41	51 / 42	52 / 52	52 / 52	74 / 74
n / nBre	114 / 153	114 / 153	114 / 153	122 / 185	186 / 186	122 / 185	186 / 186	114 / 153	114 / 153	114 / 153	122 / 185	186 / 186	186 / 186	186 / 186
p / pBre	114 / 108	114 / 108	114 / 108	122 / 139	186 / 186	114 / 108	186 / 186	114 / 108	114 / 108	114 / 108	122 / 139	186 / 186	186 / 186	186 / 186
h2	140, 215*					178		238						
⇒	SK 83 ⇒ C93, SK 93 ⇒ C95					SK 93 ⇒ C95		SK 103 ⇒ C97						

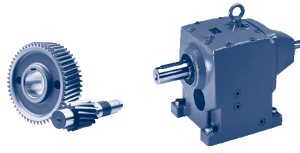


UNICASE™
Helical gear units

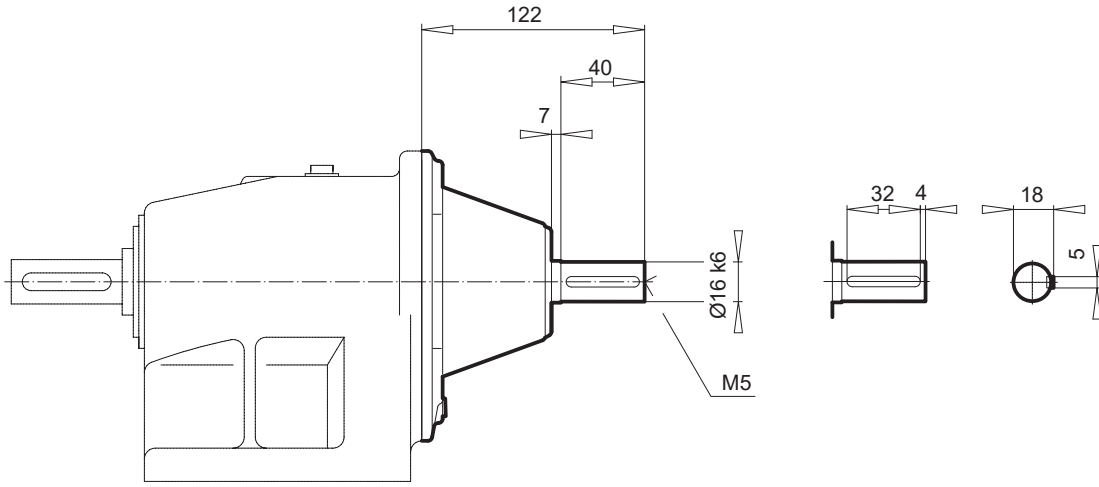


⇒ A60	SK 63/23			SK 83/33N		SK 93/43			SK 103/53		
	63 SP/LP	71 SP/LP	80 SP	63 SP/LP	71 SP/LP	71 SP/LP	80 SP/LP	90 SP/LP	71 LP	80 SP/LP	90 SP
g	130	145	165	130	145	145	165	183	145	165	183
g1 / g1Bre	115 / 123	124 / 132	142 / 142	115 / 123	124 / 132	124 / 132	142 / 142	147 / 147	124 / 132	142 / 142	147 / 147
qA / qABre	436 / 492	476 / 534	501 / 565	474 / 530	514 / 572	565 / 623	584 / 648	625 / 700	604 / 662	623 / 687	664 / 739
o / oBre	196 / 252	236 / 294	261 / 325	196 / 252	236 / 294	236 / 294	255 / 319	296 / 371	236 / 294	255 / 319	296 / 371
qz	240			278		329			368		
m / mBre	16 / 22	42 / 48	47 / 51	16 / 22	42 / 48	42 / 48	41 / 45	46 / 50	42 / 48	41 / 44	46 / 49
n / nBre	100 / 134	100 / 134	114 / 153	100 / 134	100 / 134	100 / 134	114 / 153	114 / 153	100 / 134	114 / 153	114 / 153
p / pBre	100 / 89	100 / 89	114 / 108	100 / 89	100 / 89	100 / 89	114 / 108	114 / 108	100 / 89	114 / 108	114 / 108
h2	125			160		215			238		
ME	42,5			42,5		42,5			42,5		
⇒	SK 63 ⇒ C89			SK 83 ⇒ C93		SK 93 ⇒ C95			SK 103 ⇒ C97		





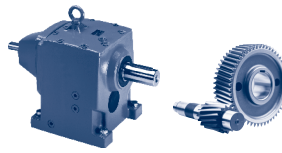
SK ... - W



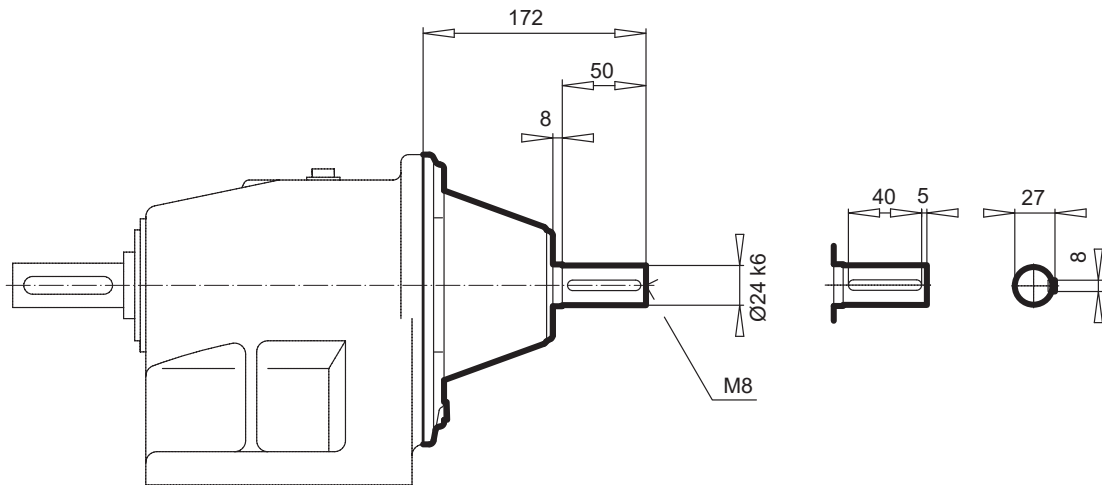
UNICASE™
Helical gear units

Type	⇒
SK 02 (F)	C76
SK 03 (F)	C77
SK 12 (F)	C78
SK 13 (F)	C79
SK 23 (F)	C81
SK 33N (F)	C83

Type	⇒
SK 12/02 (F)	C98
SK 22/02 (F)	C98
SK 32/12 (F)	C98
SK 42/12 (F)	C98
SK 52/12 (F)	C98
SK 63/23 (F)	C98
SK 83/33N (F)	C98



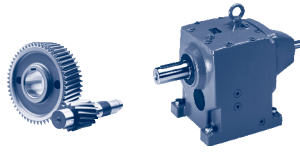
SK ... - W



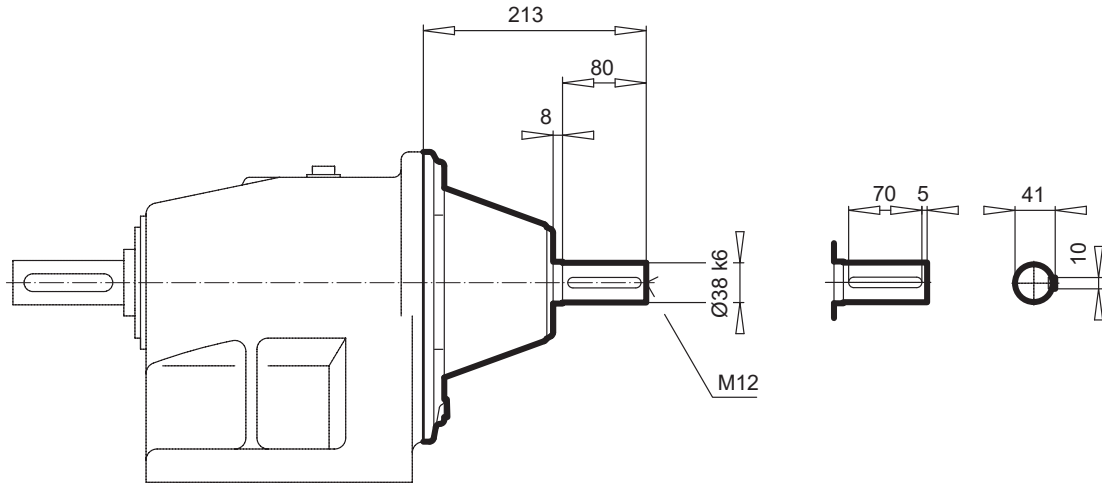
Type	⇒
SK 22 (F)	C80
SK 32 (F)	C82
SK 43 (F)	C85
SK 53 (F)	C87

Type	⇒
SK 63/22 (F)	C98
SK 73/22 (F)	C98
SK 73/32 (F)	C98
SK 83/32 (F)	C98
SK 93/43 (F)	C99
SK 103/53 (F)	C99

W



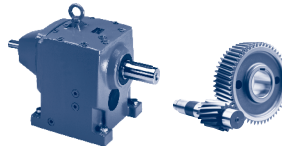
SK ... - W



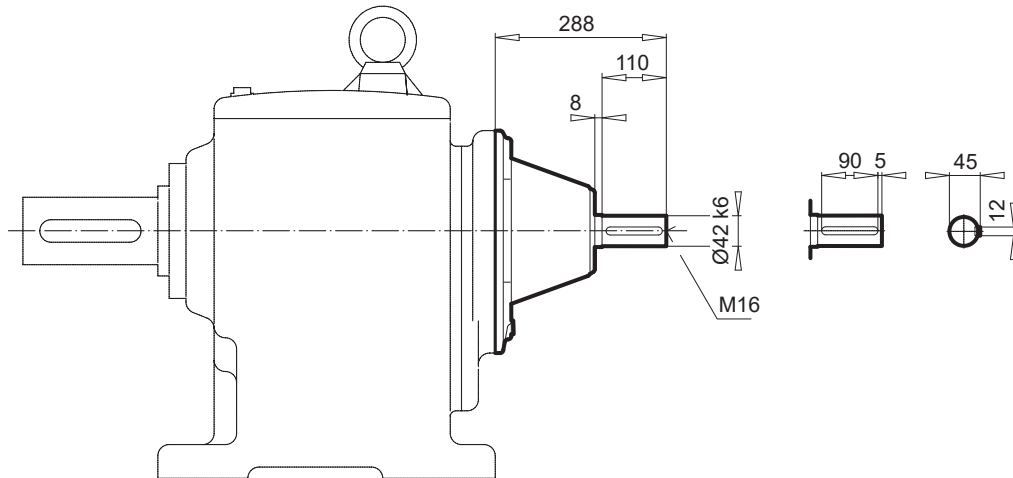
UNICASE™
Helical gear units

Type	⇒
SK 42 (F)	C84
SK 52 (F)	C76
SK 63 (F)	C89

Type	⇒
SK 83/42 (F)	C99
SK 93/42 (F)	C99
SK 93/52 (F)	C99
SK 103/52 (F)	C99

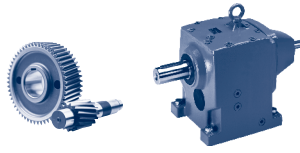


SK ... - W

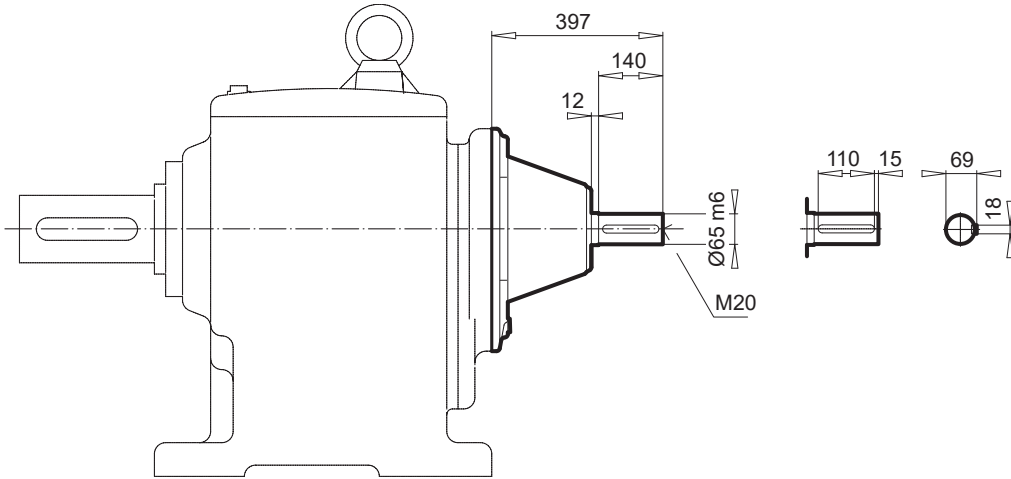


Type	→
SK 62 (F)	C88
SK 63 (F)	C89
SK 72 (F)	C90
SK 73 (F)	C91
SK 83 (F)	C93
SK 93 (F)	C95

W

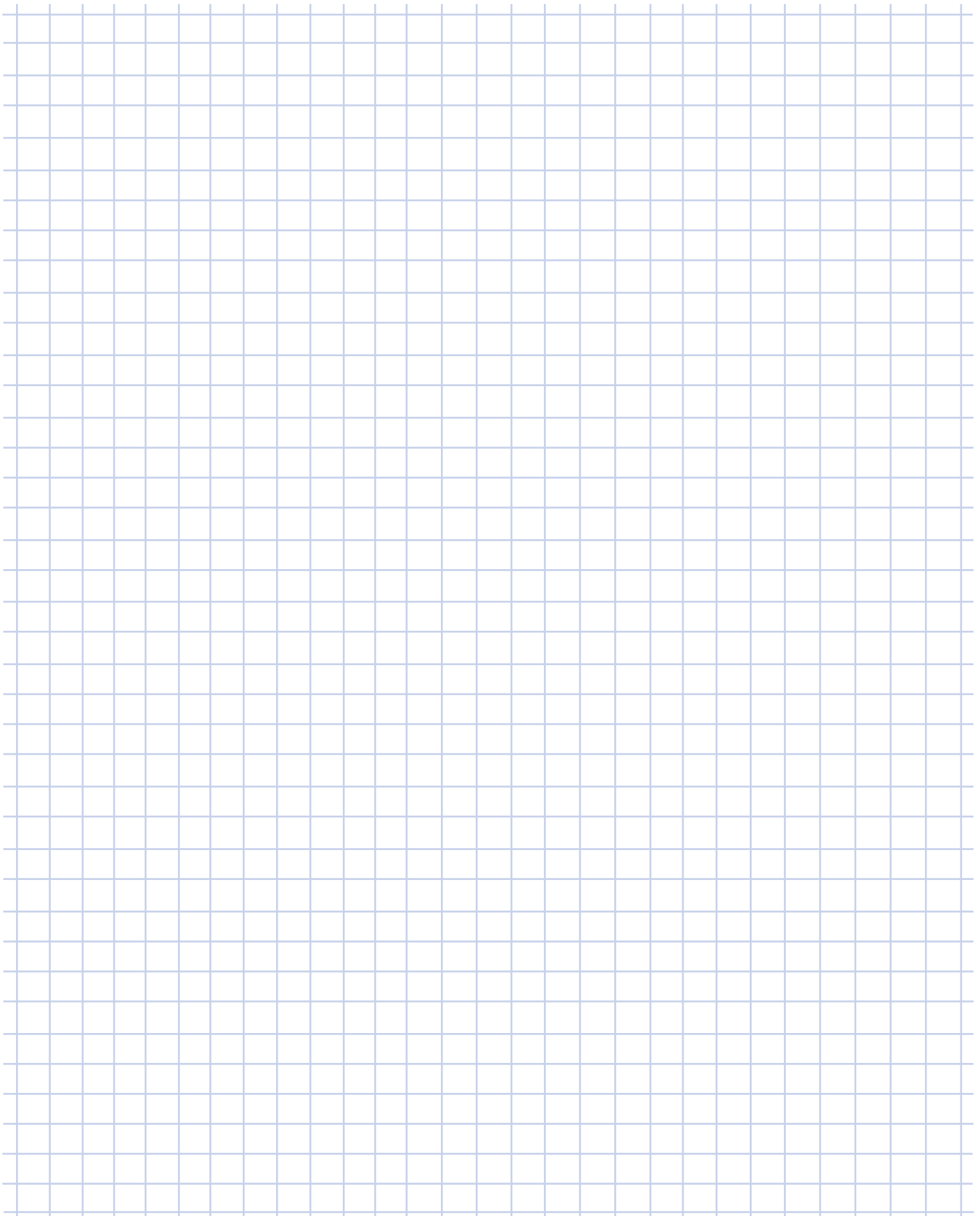


SK ... - W

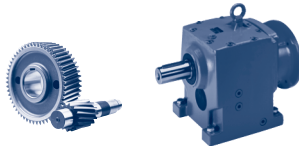


UNICASE™
Helical gear units

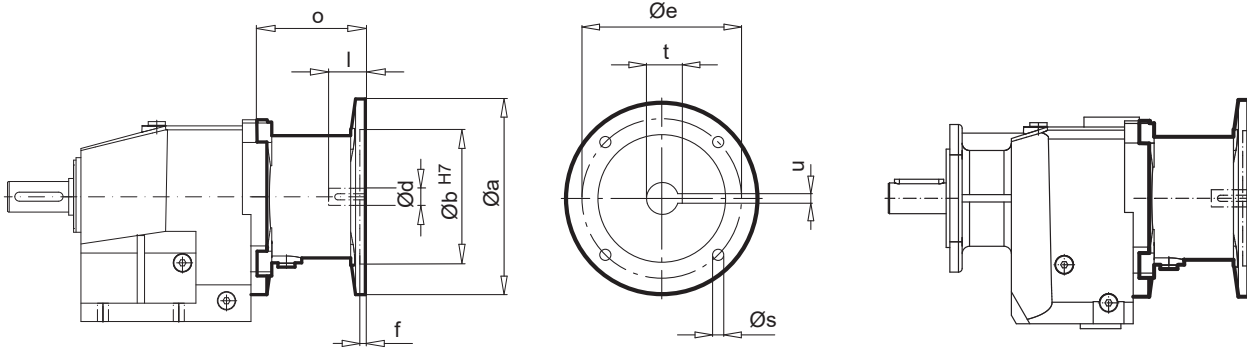
Type	→
SK 82 (F)	C92
SK 83 (F)	C93
SK 92 (F)	C94
SK 93 (F)	C95
SK 102 (F)	C96
SK 103 (F)	C97



A large grid area for taking notes, consisting of a 20x30 grid of small squares.



SK 02 (F) - IEC 63 ... 90
SK 12 (F) - IEC 63 ... 112

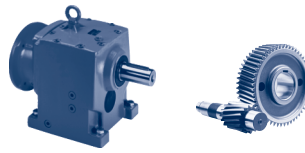


UNICASE™
Helical gear units

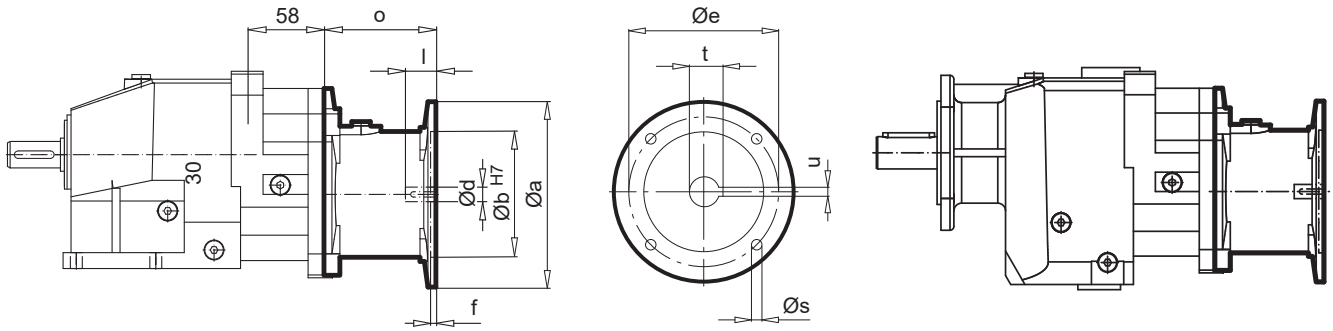
IEC	Ø a	Ø b	Ø e	f	Ø s	o	Ø d	l	t	u
IEC 63	140	95	115	4,0	M8	84,5	11	23	12,8	4
IEC 71	160	110	130	4,5	M8	88,5	14	30	16,3	5
IEC 80	200	130	165	4,5	M10	106	19	40	21,8	6
IEC 90	200	130	165	4,5	M10	106	24	50	27,3	8
IEC 100	250	180	215	5,0	M12	125	28	60	31,3	8
IEC 112	250	180	215	5,0	M12	125	28	60	31,3	8

SK 02 (F) - NEMA
SK 12 (F) - NEMA

NEMA	Ø a	Ø b	Ø e	f	Ø s	o	Ø d	l	t	u
N56C	166	114,3	149,2	4,5	11	113	15,9	52,3	18,0	4,8
N140TC	166	114,3	149,2	4,5	11	113	22,2	53,8	24,4	4,8
N180TC	233	215,9	184,2	5,8	15	143,5	28,6	66,5	31,5	6,3



SK 03 (F) - IEC 63, 71
SK 13 (F) - IEC 63, 71

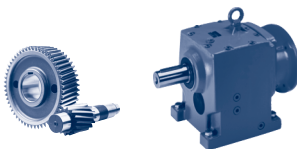


UNICASE™
Helical gear units

IEC	Ø a	Ø b	Ø e	f	Ø s	o	Ø d	l	t	u
IEC 63	140	95	115	4,0	M8	84,5	11	23	12,8	4
IEC 71	160	110	130	4,5	M8	88,5	14	30	16,3	5

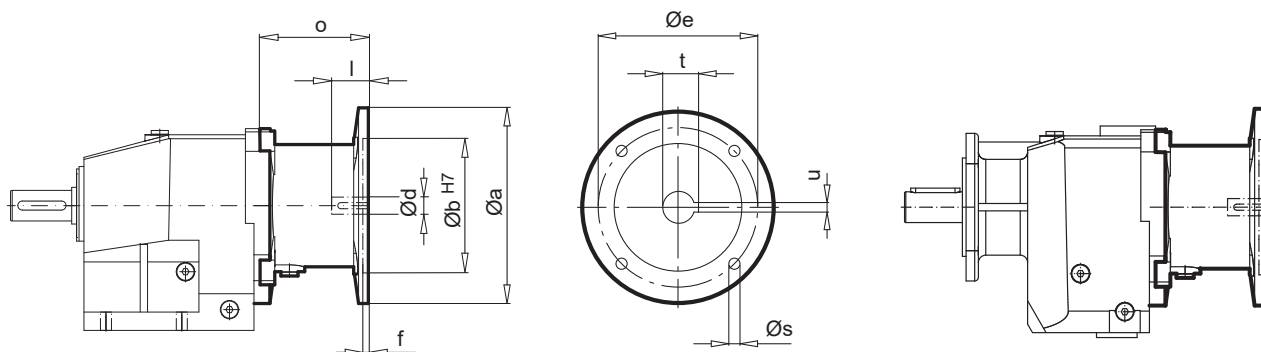
SK 03 (F) - NEMA
SK 13 (F) - NEMA

NEMA	Ø a	Ø b	Ø e	f	Ø s	o	Ø d	l	t	u
N56C	166	114,3	149,2	4,5	11	113	15,9	52,3	18,0	4,8



SK 22 (F) - IEC 71 ... 112

SK 32 (F) - IEC 63 ... 132



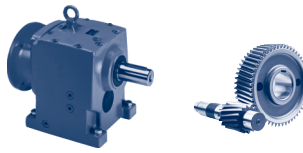
UNICASE™
Helical gear units

IEC	Ø a	Ø b	Ø e	f	Ø s	o	Ø d	l	t	u
IEC 71	160	110	130	4,5	M8	88	14	30	16,3	5
IEC 80	200	130	165	4,5	M10	108	19	40	21,8	6
IEC 90	200	130	165	4,5	M10	108	24	50	27,3	8
IEC 100	250	180	215	5,0	M12	125	28	60	31,3	8
IEC 112	250	180	215	5,0	M12	125	28	60	31,3	8
IEC 132	300	230	265	5,0	M12	156	38	80	41,3	10

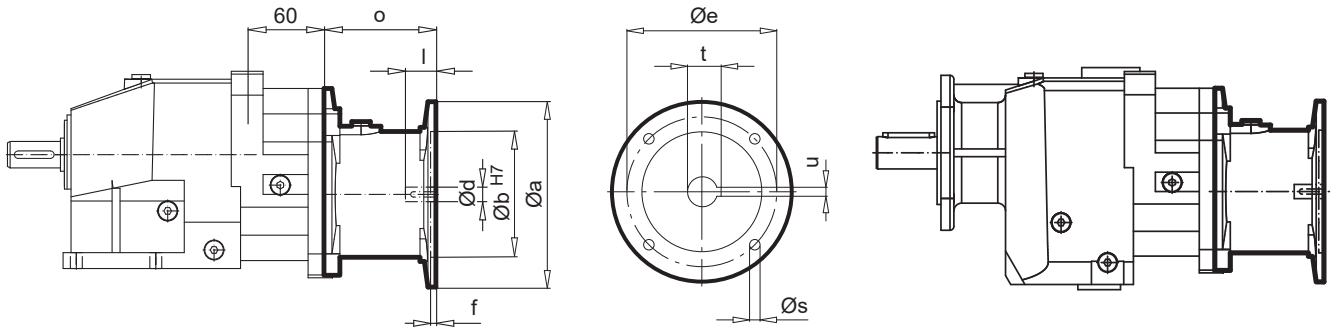
SK 22 (F) - NEMA

SK 32 (F) - NEMA

NEMA	Ø a	Ø b	Ø e	f	Ø s	o	Ø d	l	t	u
N56C	166	114,3	149,2	4,5	11	117	15,9	52,3	18,0	4,8
N140TC	166	114,3	149,2	4,5	11	117	22,2	53,8	24,4	4,8
N180TC	233	215,9	184,2	5,8	15	140	28,6	66,5	31,5	6,3
N210TC	233	215,9	184,2	5,8	15	168,8	34,9	80,2	38,6	7,9



SK 23 (F) - IEC 63 ... 90
SK 33N (F) - IEC 63 ...112



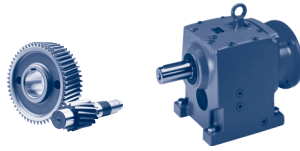
UNICASE™
Helical gear units

IEC	Ø a	Ø b	Ø e	f	Ø s	o	Ø d	l	t	u
IEC 63	140	95	115	4,0	M8	84,5	11	23	12,8	4
IEC 71	160	110	130	4,5	M8	88,5	14	30	16,3	5
IEC 80	200	130	165	4,5	M10	106	19	40	21,8	6
IEC 90	200	130	165	4,5	M10	106	24	50	27,3	8
IEC 100	250	180	215	5,0	M12	125	28	60	31,3	8
IEC 112	250	180	215	5,0	M12	125	28	60	31,3	8

SK 23 (F) - NEMA
SK 33N (F) - NEMA

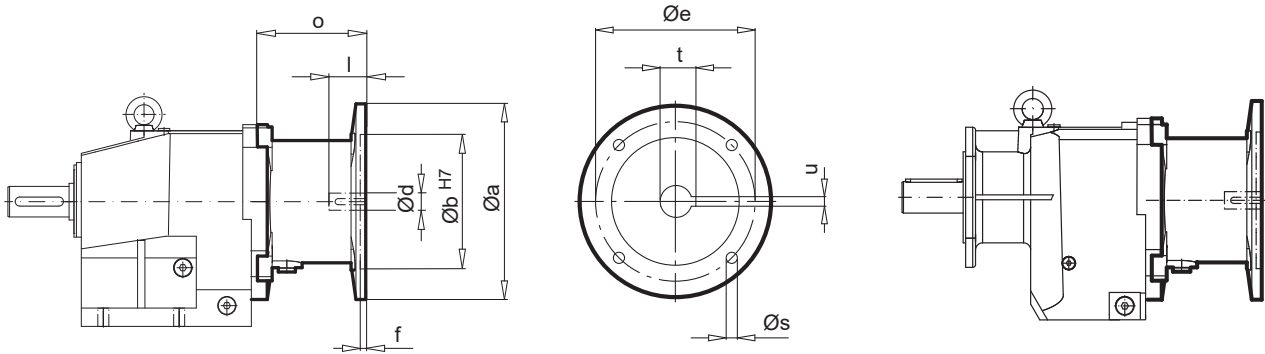
NEMA	Ø a	Ø b	Ø e	f	Ø s	o	Ø d	l	t	u
N56C	166	114,3	149,2	4,5	11	113	15,9	52,3	18,0	4,8
N140TC	166	114,3	149,2	4,5	11	113	22,2	53,8	24,4	4,8

IEC, AI NEMA, AN



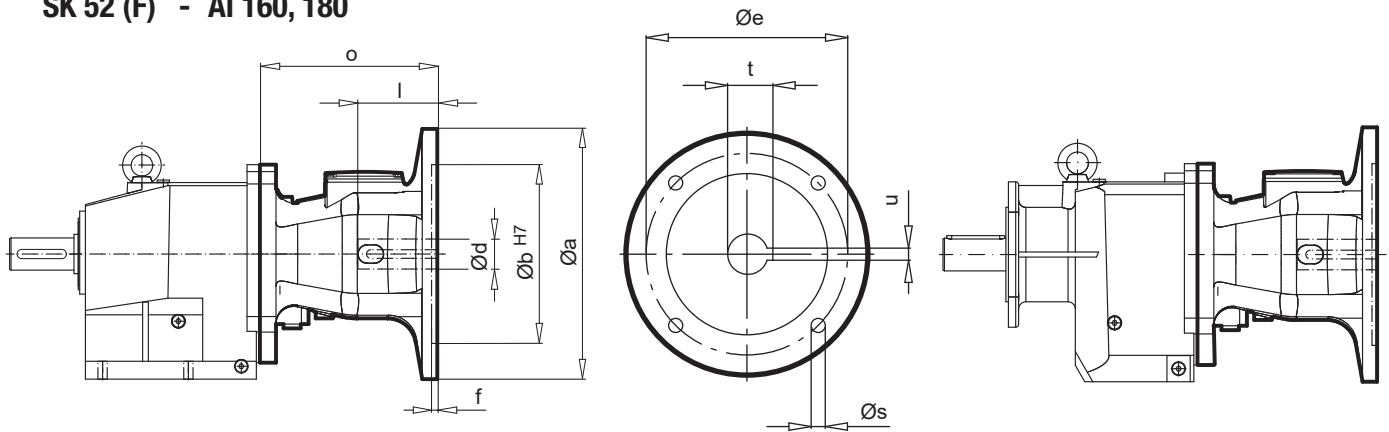
SK 42 (F) - IEC 90 ... 132

SK 52 (F) - IEC 90 ... 132



SK 42 (F) - AI 160

SK 52 (F) - AI 160, 180



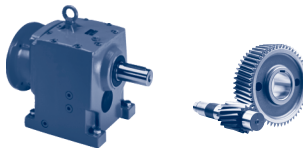
UNICASE™
Helical gear units

IEC / AI	Ø a	Ø b	Ø e	f	Ø s	o	Ø d	l	t	u
IEC 90	200	130	165	4,5	M10	108,5	24	50	27,3	8
IEC 100	250	180	215	5,0	M12	133	28	60	31,3	8
IEC 112	250	180	215	5,0	M12	133	28	60	31,3	8
IEC 132	300	230	265	5,0	M12	190	38	80	41,3	10
AI 160	350	250	300	7,0	M16	247	42	110	45,3	12
AI 180	350	250	300	7,0	M16	247	48	110	51,8	14

SK 42 (F) - NEMA

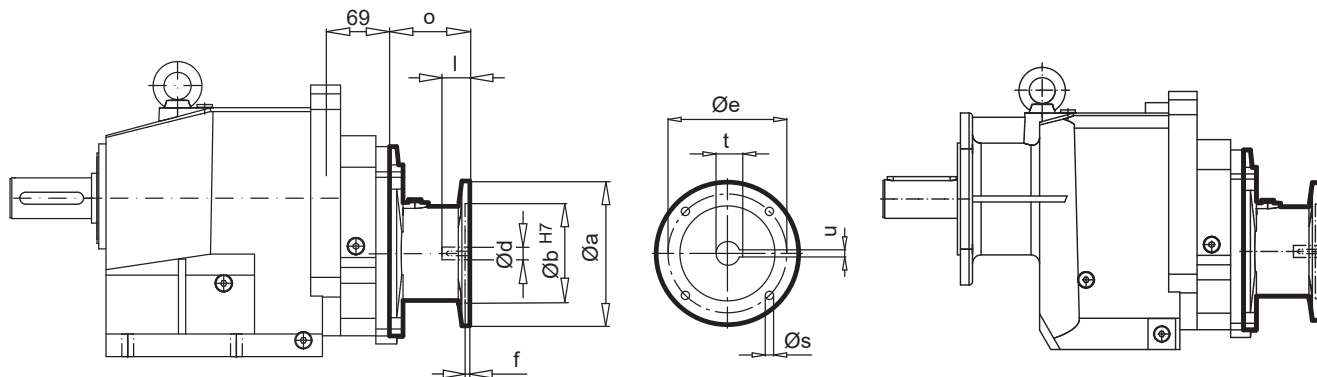
SK 52 (F) - NEMA

NEMA / AN	Ø a	Ø b	Ø e	f	Ø s	o	Ø d	l	t	u
N56C	166	114,3	149,2	4,5	11	110	15,9	52,3	18,0	4,8
N140TC	166	114,3	149,2	4,5	11	110	22,2	53,8	24,4	4,8
N180TC	233	215,9	184,2	5,8	15	201	28,6	66,5	31,5	6,4
N210TC	233	215,9	184,2	5,8	15	201	34,9	79,2	38,6	7,9
AN250TC	233	215,9	184,2	5,8	13,5	235,8	41,3	95,2	45,7	9,5
AN280TC	350	266,7	228,6	5,8	13,5	252,8	47,6	111,2	51,6	12,7



SK 43 (F) - IEC 71 ... 112

SK 53 (F) - IEC 71 ... 132



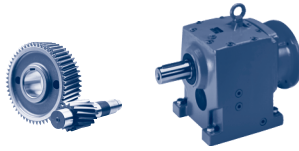
IEC	$\varnothing a$	$\varnothing b$	$\varnothing e$	f	$\varnothing s$	o	$\varnothing d$	l	t	u
IEC 71	160	110	130	4,5	M8	88	14	30	16,3	5
IEC 80	200	130	165	4,5	M10	108	19	40	21,8	6
IEC 90	200	130	165	4,5	M10	108	24	50	27,3	8
IEC 100	250	180	215	5,0	M12	125	28	60	31,3	8
IEC 112	250	180	215	5,0	M12	125	28	60	31,3	8
IEC 132	300	230	265	5,0	M12	156	38	80	41,3	10

SK 43 (F) - NEMA

SK 53 (F) - NEMA

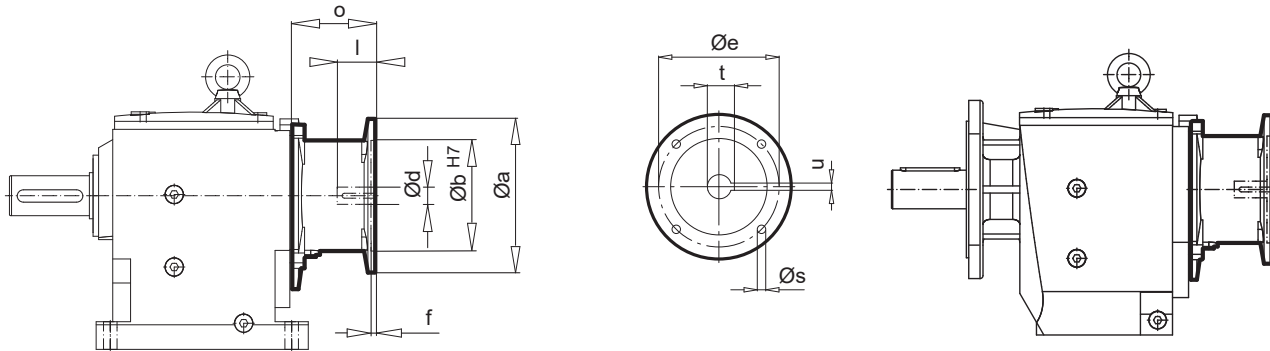
NEMA	$\varnothing a$	$\varnothing b$	$\varnothing e$	f	$\varnothing s$	o	$\varnothing d$	l	t	u
N56C	166	114,3	149,2	4,5	11	117	15,9	52,3	18,0	4,8
N140TC	166	114,3	149,2	4,5	11	117	22,2	53,8	24,4	4,8
N180TC	233	215,9	184,2	5,8	15	168,8	28,6	66,5	31,5	6,4

IEC, AI NEMA, AN



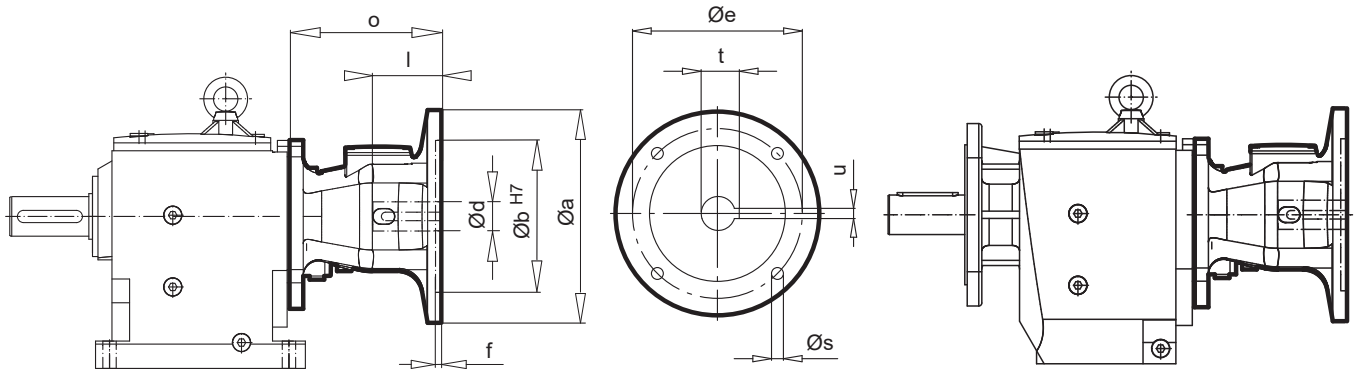
SK 62 (F) - IEC 100 ... 132

SK 72 (F) - IEC 132



SK 62 (F) - AI 160 ... 225

SK 72 (F) - AI 160 ... 225

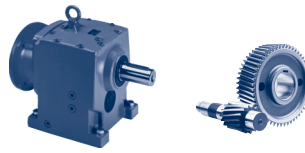


IEC / AI	$\varnothing a$	$\varnothing b$	$\varnothing e$	f	$\varnothing s$	o	$\varnothing d$	l	t	u
IEC 100	250	180	215	5,0	M12	127	28	60	31,3	8
IEC 112	250	180	215	5,0	M12	127	28	60	31,3	8
IEC 132	300	230	265	5,0	M12	177	38	80	41,3	10
AI 160	350	250	300	7,0	M16	247	42	110	45,3	12
AI 180	350	250	300	7,0	M16	247	48	110	51,8	14
AI 200	400	300	350	7,0	M16	251	55	110	59,3	16
AI 225	450	350	400	7,0	M16	303	60	140	64,4	18

SK 62 (F) - NEMA

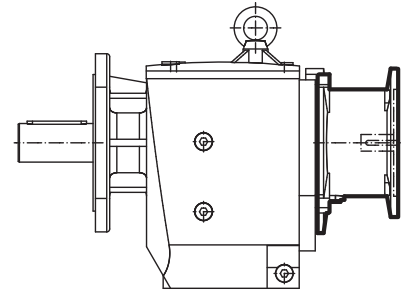
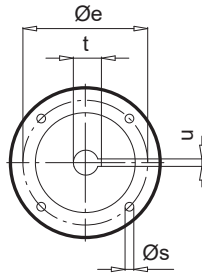
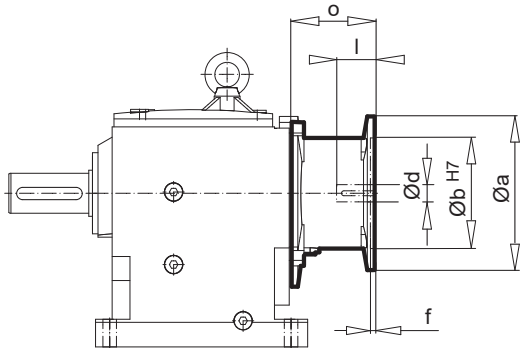
SK 72 (F) - NEMA

NEMA / AN	$\varnothing a$	$\varnothing b$	$\varnothing e$	f	$\varnothing s$	o	$\varnothing d$	l	t	u
N180TC	233	215,9	184,2	5,8	15,0	191	28,6	66,5	31,5	6,3
N210TC	233	215,9	184,2	5,8	15,0	191	34,9	80,2	38,6	7,9
AN250TC	235	215,9	184,2	5,8	13,5	242,8	41,3	95,2	45,7	9,5
AN280TC	350	266,7	228,6	5,8	17,5	252,8	47,6	111,2	51,6	12,7
AN320TC	400	317,5	279,4	5,8	17,5	256,8	54,0	127,0	59,7	12,7
AN360TC	550	317,5	279,4	5,0	17,5	308	60,3	143,7	67,3	15,9



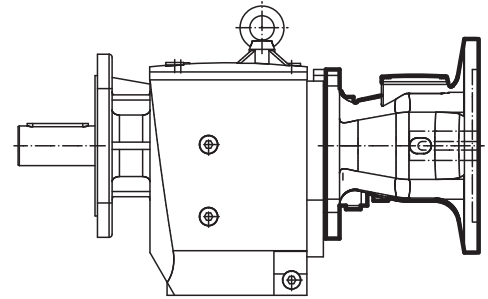
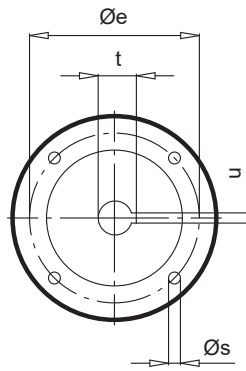
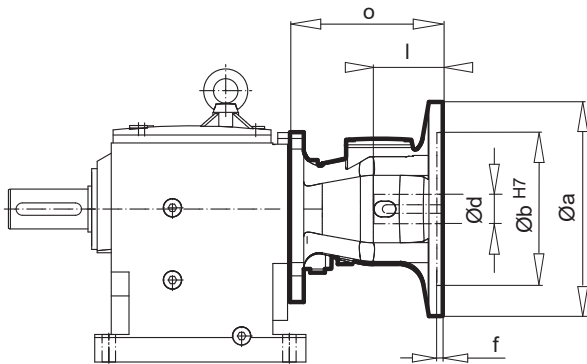
SK 63 (F) - IEC 90 ... 132

SK 73 (F) - IEC 100 ... 132



SK 63 (F) - AI 160 ... 180

SK 73 (F) - AI 160 ... 225



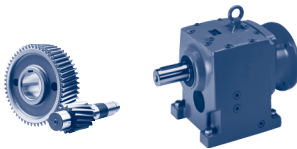
UNICASE™
Helical gear units

IEC / AI	Ø a	Ø b	Ø e	f	Ø s	o	Ø d	l	t	u
IEC 90	200	130	165	4,5	M10	108,5	24	50	27,3	8
IEC 100	250	180	215	5,0	M12	127	28	60	31,3	8
IEC 112	250	180	215	5,0	M12	127	28	60	31,3	8
IEC 132	300	230	265	5,0	M12	177	38	80	41,3	10
AI 160	350	250	300	7,0	M16	247	42	110	45,3	12
AI 180	350	250	300	7,0	M16	247	48	110	51,8	14
AI 200	400	300	350	7,0	M16	251	55	110	59,3	16
AI 225	450	350	400	7,0	M16	303	60	140	64,4	18

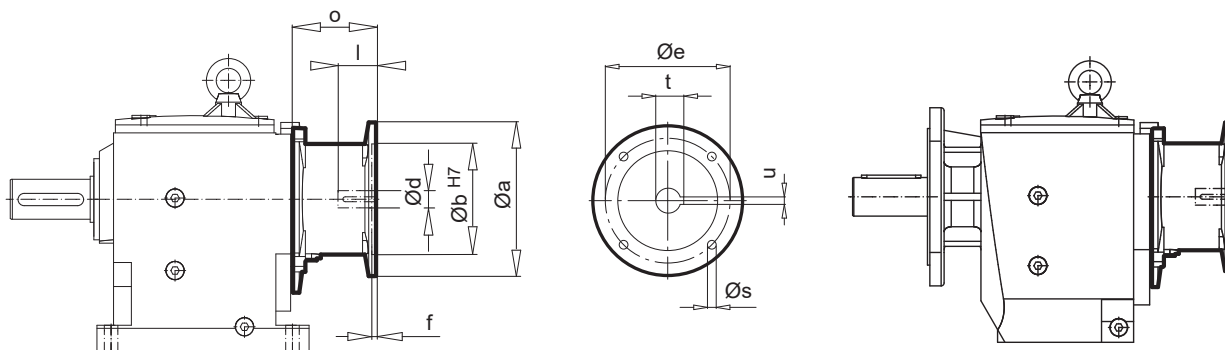
SK 63 (F) - NEMA

SK 73 (F)* - NEMA

NEMA / AN	Ø a	Ø b	Ø e	f	Ø s	o	Ø d	l	t	u
N56C	166	114,3	149,2	4,5	11,0	110	15,9	52,3	18,0	4,8
N140TC	166	114,3	149,2	4,5	11,0	110	22,2	53,8	24,4	4,8
N180TC	233	215,9	184,2	5,8	15,0	201 (191*)	28,6	66,5	31,5	6,3
N210TC	233	215,9	184,2	5,8	15,0	201 (191*)	34,9	79,2	38,6	7,9
AN250TC	233 (235*)	215,9	184,2	5,8	13,5	235,8 (242,8*)	41,3	95,2	45,7	9,5
AN280TC	350	266,7	228,6	5,8	13,5 (17,5*)	252,8	47,6	111,2	51,6	12,7
AN320TC	400	317,5	279,4	5,8	17,5	256,8	54,0	127,0	59,7	12,7
AN360TC	550	317,5	279,4	5,0	17,5	308	60,3	143,7	67,3	15,9

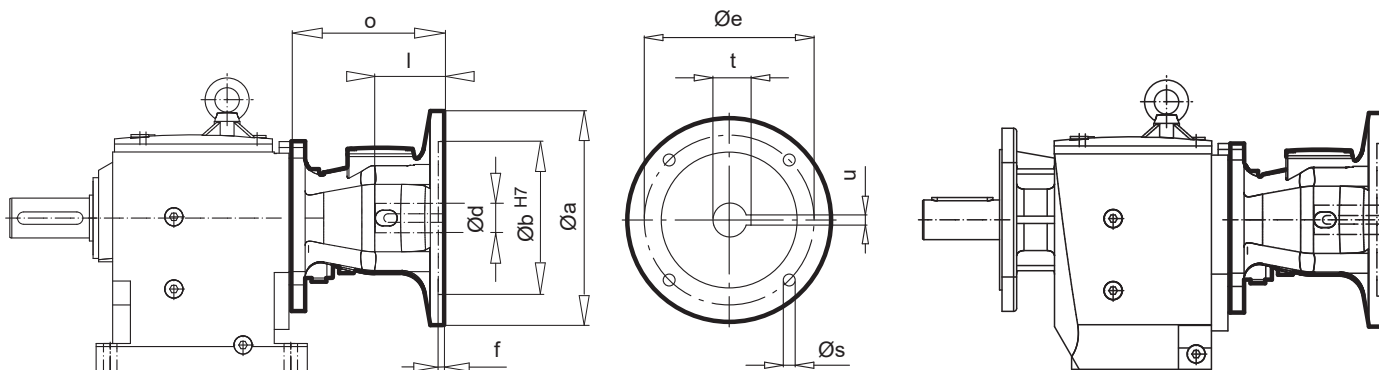


SK 82 (F) - IEC 132



SK 82 (F) - AI 160 ... 280

SK 92 (F) - AI 160 ... 315



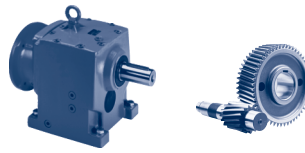
UNICASE™
Helical gear units

IEC / AI	Ø a	Ø b	Ø e	f	Ø s	o	Ø d	l	t	u
IEC 132	300	230	265	5,0	M12	177	38	80	41,3	10
AI 160	350	250	300	7,0	M16	247	42	110	45,3	12
AI 180	350	250	300	7,0	M16	247	48	110	51,8	14
AI 200	400	300	350	7,0	M16	251	55	110	59,3	16
AI 225	450	350	400	7,0	M16	303	60	140	64,4	18
AI 250	550	450	500	7,0	M16	338,5	65	140	69,4	18
AI 280	550	450	500	7,0	M16	338,5	75	140	79,9	20
AI 315	660	550	600	7,0	M20	400	80	170	85,4	22

SK 82 (F) - NEMA

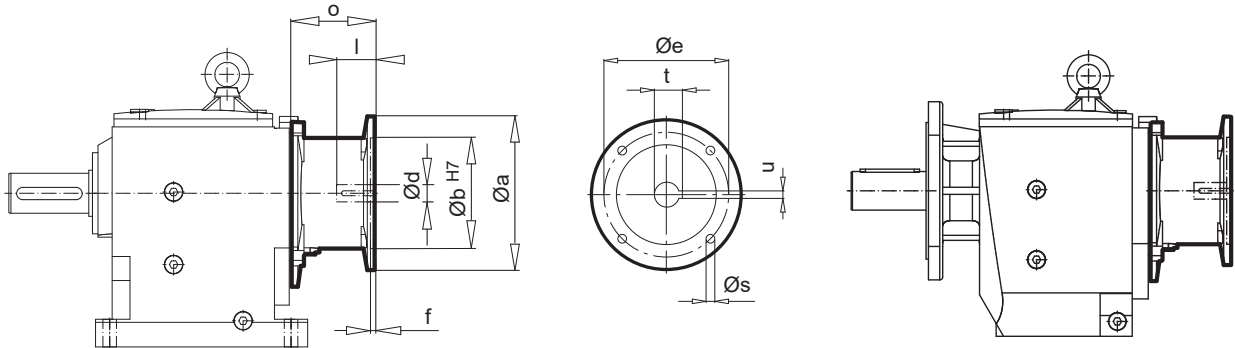
SK 92 (F) - NEMA

NEMA / AN	Ø a	Ø b	Ø e	f	Ø s	o	Ø d	l	t	u
N180TC	233	215,9	184,2	5,8	15,0	191	28,6	66,5	31,5	6,4
N210TC	233	215,9	184,2	5,8	15,0	191	34,9	80,2	38,6	7,9
AN250TC	235	215,9	184,2	5,8	13,5	242,8	41,3	95,2	45,7	9,5
AN280TC	350	266,7	228,6	5,8	17,5	252,8	47,6	111,2	51,6	12,7
AN320TC	400	317,5	279,4	5,8	17,5	256,8	54,0	127,0	59,7	12,7
AN360TC	550	317,5	279,4	4,0	17,5	372,5	60,3	143,7	67,3	15,9



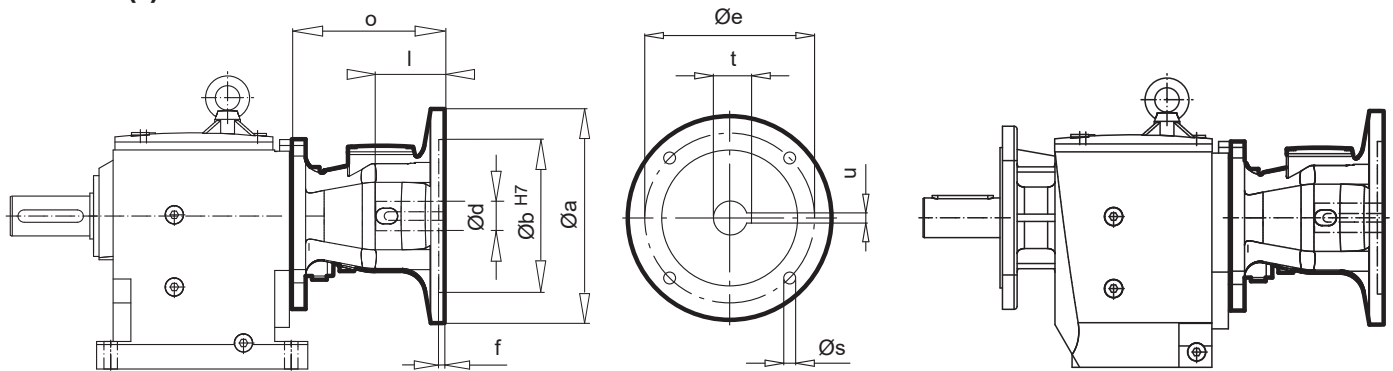
SK 83 (F) - IEC 100 ... 132

SK 93 (F) - IEC 132



SK 83 (F) - AI 160 ... 225

SK 93 (F) - AI 160 ... 280



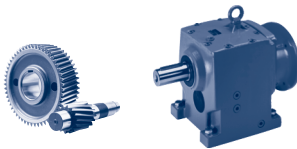
UNICASE™
Helical gear units

IEC / AI	$\varnothing a$	$\varnothing b$	$\varnothing e$	f	$\varnothing s$	o	$\varnothing d$	l	t	u
IEC 100	250	180	215	5,0	M12	127	28	60	31,3	8
IEC 112	250	180	215	5,0	M12	127	28	60	31,3	8
IEC 132	300	230	265	5,0	M12	177	38	80	41,3	10
AI 160	350	250	300	7,0	M16	247	42	110	45,3	12
AI 180	350	250	300	7,0	M16	247	48	110	51,8	14
AI 200	400	300	350	7,0	M16	251	55	110	59,3	16
AI 225	450	350	400	7,0	M16	303	60	140	64,4	18
AI 250	550	450	500	7,0	M16	338,5	65	140	69,4	18
AI 280	550	450	500	7,0	M16	338,5	75	140	79,9	20

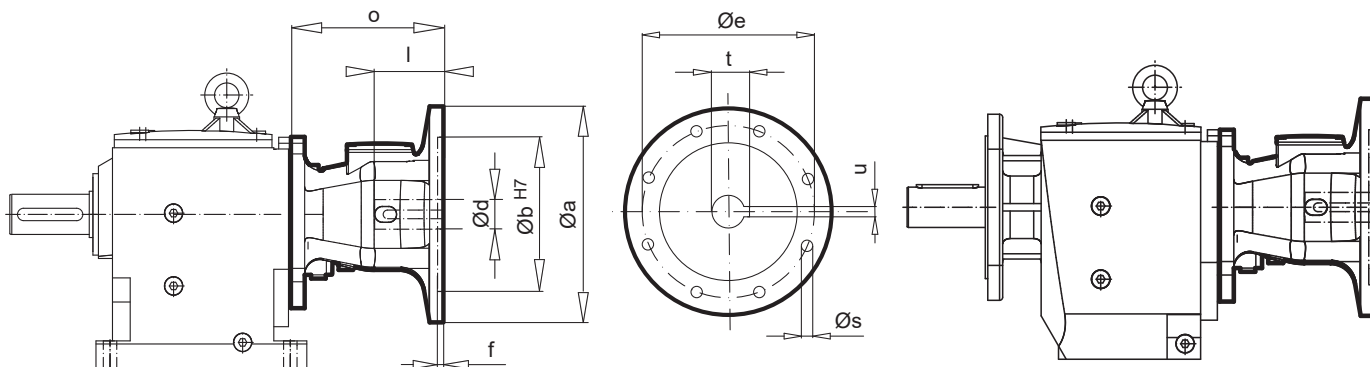
SK 83 (F) - NEMA

SK 93 (F) - NEMA

NEMA / AN	$\varnothing a$	$\varnothing b$	$\varnothing e$	f	$\varnothing s$	o	$\varnothing d$	l	t	u
N180TC	233	215,9	184,2	5,8	15,0	191	28,6	66,5	31,5	6,4
N210TC	233	215,9	184,2	5,8	15,0	191	34,9	79,2	38,6	7,9
AN250TC	235	215,9	184,2	5,8	13,5	242,8	41,3	95,2	45,7	9,5
AN280TC	350	266,7	228,6	5,8	17,5	252,8	47,6	111,2	51,6	12,7
AN320TC	400	317,5	279,4	5,8	17,5	256,8	54,0	127,0	59,7	12,7
AN360TC	550	317,5	279,4	5,0	17,5	308	60,3	143,7	67,3	15,9



SK 102 (F) - AI 250 ... 315

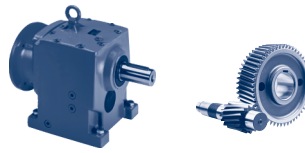


UNICASE™
Helical gear units

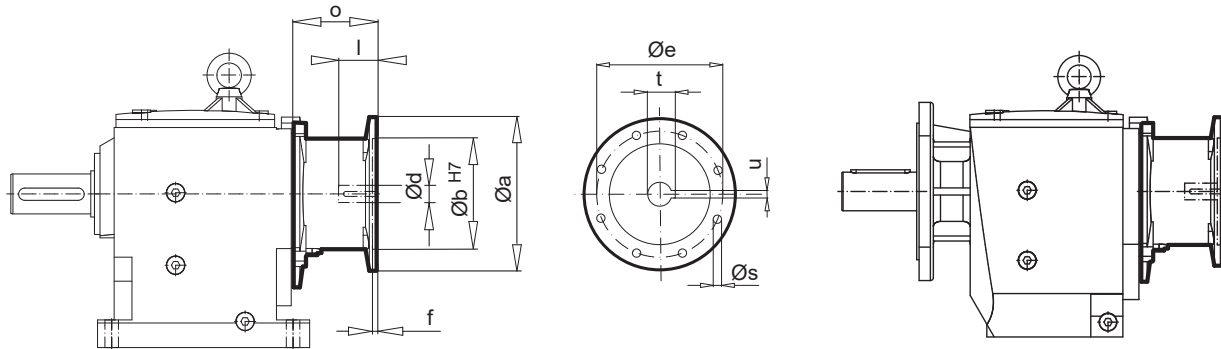
IEC / AI	Ø a	Ø b	Ø e	f	Ø s	o	Ø d	l	t	u
AI 250	550	450	500	7,0	M16	338,5	65	140	69,4	18
AI 280	550	450	500	7,0	M16	338,5	75	140	79,9	20
AI 315	660	550	600	7,0	M20	400	80	170	85,4	22

SK 102 (F) - NEMA

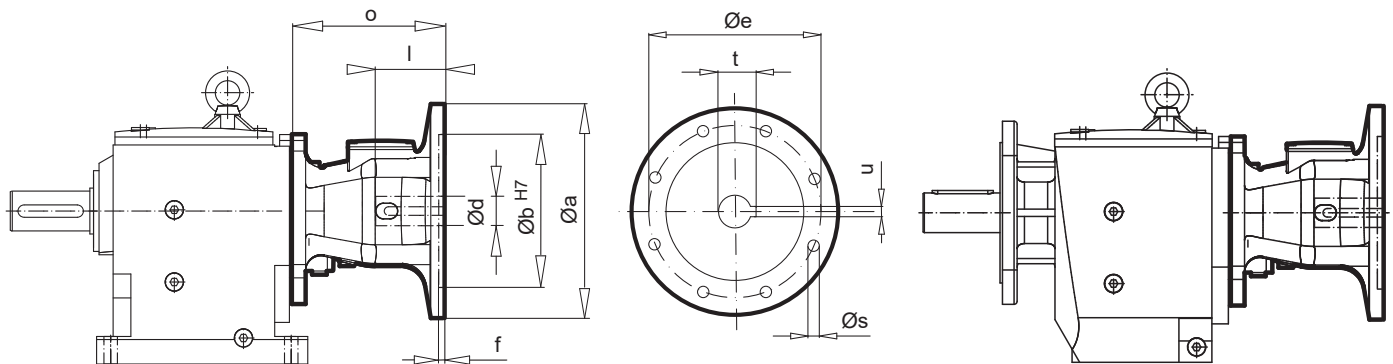
NEMA / AN	Ø a	Ø b	Ø e	f	Ø s	o	Ø d	l	t	u
AN360TC	550	317,5	279,4	4,0	17,5	372,5	60,3	143,7	67,3	15,9
AN400TC	550	317,5	279,4	4,0	17,5	372,5	73	178,8	81,7	19,0



SK 103 (F) - IEC 132



SK 103 (F) - AI 160 ... 315

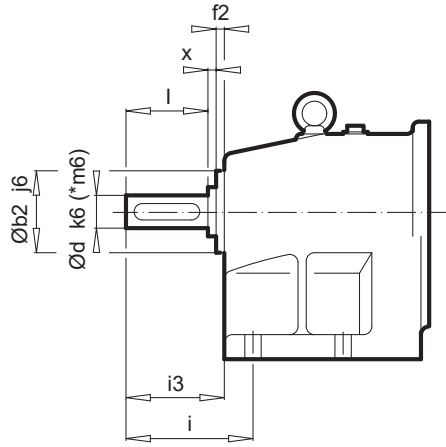
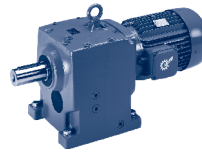


UNICASE™
Helical gear units

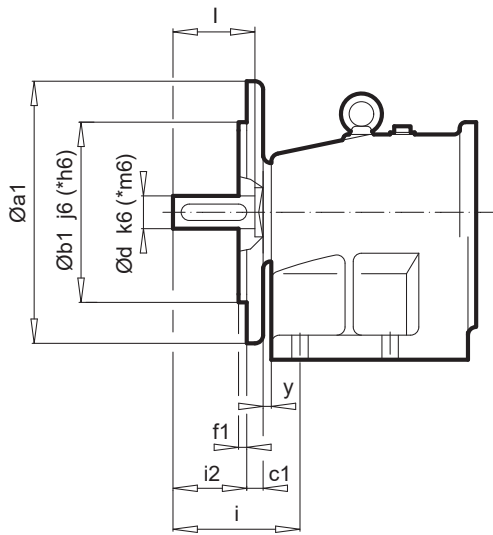
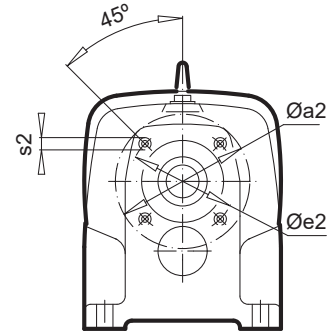
IEC / AI	Ø a	Ø b	Ø e	f	Ø s	o	Ø d	l	t	u
IEC 132	300	230	265	5,0	M12	177	38	80	41,3	10
AI 160	350	250	300	7,0	M16	247	42	110	45,3	12
AI 180	350	250	300	7,0	M16	247	48	110	51,8	14
AI 200	400	300	350	7,0	M16	251	55	110	59,3	16
AI 225	450	350	400	7,0	M16	303	60	140	64,4	18
AI 250	550	450	500	7,0	M16	338,5	65	140	69,4	18
AI 280	550	450	500	7,0	M16	338,5	75	140	79,9	20
AI 315	660	550	600	7,0	M20	400	80	170	85,4	22

SK 103 (F) - NEMA

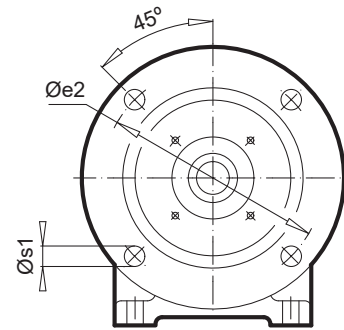
NEMA / AN	Ø a	Ø b	Ø e	f	Ø s	o	Ø d	l	t	u
N180TC	233	215,9	184,2	5,8	15,0	191	28,6	66,5	31,5	6,4
N210TC	233	215,9	184,2	5,8	15,0	191	34,9	79,2	38,6	7,9
AN250TC	235	215,9	184,2	5,8	13,5	242,8	41,3	95,2	45,7	9,5
AN280TC	350	266,7	228,6	5,8	17,5	252,8	47,6	111,2	51,6	12,7
AN320TC	400	317,5	279,4	5,8	17,5	256,8	54,0	127,0	59,7	12,7
AN360TC	550	317,5	279,4	5,0	17,5	308	60,3	143,7	67,3	15,9



XZ = B14



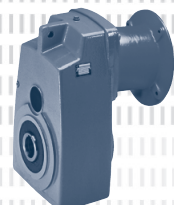
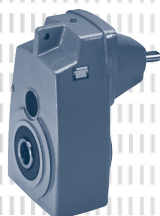
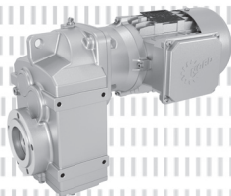
XF = B5



UNICASE™
Helical gear units

Type	a2	b2	e2	f2	s2	i	i3	a1	b1	c1	e1	f1	s1	i2	y	d	l	x
SK 02 X. SK 03 X.	90	55	72	8	M 8x13	52	42	160	110	10	130	3,5	9	27	5	20	40	3
SK 12 X. SK 13 X.	95	60	80	9	M 8x13	78	60	200	130	12	165	3,5	11	43	5	25	50	4
SK 22 X. SK 23 X.	130	72	100	10	M12x20	74	59	250	180	16	215	4,0	14	38	5	30	60	5
SK 32 X. SK 33N X.	150	90	120	11	M16x25	96	79	300	230	20	265	4,0	14	54	5	40	80	6
SK 42 X. SK 43 X.	165	105	135	14	M16x25	130	106	300	230	20	265	4,0	14	81	5	45	90	6
SK 52 X. SK 53 X.	200	134	165	19	M16x25	140	120	350	250*	20	300	5,0	18	95	5	55*	110	6
⇒ SK 02 - SK 53 ⇒ C76 - C87																		

UNICASE™ Parallel shaft gear units



ENQUIRY FORM D - 2

VERSIONS AVAILABLE D - 3

GEAR UNIT MOTOR DATA

Power and speed tables D - 4

Power and speed tables
W, IEC, AI - adapters D - 62

DIMENSIONED DRAWINGS*

Parallel geared motors D - 86

W, IEC, AI, NEMA - adapters D - 118

OPTIONS*

AZ / VZ Hollow shaft / Solid shaft with B14 flange ... D - 132

AX / VX Foot-mounted housing D - 134

AXSH Shrink disk with cover D - 134

AVSH Reinforced shrink disk with cover D - 135

AH / AZH Cover as contact protection D - 136

VL2 / VL3 Agitator version D - 137

GRIPMAXX™ Fastening system NORD GRIPMAXX™ D - 140

G / VG Rubber buffer for torque arm D - 144

SCP Screw Conveyor Package D - 145

* All specifications in mm unless otherwise indicated.

Enquiry form



This general enquiry form can be found in the attachment as well as on the NORD homepage under www.nord.com - Heading DOCUMENTATION / FORMS.



General Enquiry Form



Company: _____
 Customer number: _____
 Town / Zip Code/
 Country: _____
 Contact: _____
 E-Mail: _____
 Phone: _____

Please send the request to your local NORD contact.

See homepage:
www.nord.com
 (NORD group → Sales)



Reference: _____
 Date: _____

	Helical- inline* G1000/G2000		Helical- Parallel shaft* G1000		Helical-bevel* G1000		Worm* G1000/G1035
Geared motor		Adapter for IEC-/Nema-motor/Servo*		Stand alone motor (M7000)			
W – type (free input shaft): External forces: Axial F _{A1} : _____ [N] Radial F _{R1} : _____ [N]; Lever from shaft shoulder: _____ [mm]							
Gear type acc. to catalogue: _____				Quantity: _____			

Gearbox-specific parameter	Frequency inverter operation
Output speed n ₂ at line frequency: _____ [rpm]	Cabinet mounted Motor mounted
Output torque M ₂ : _____ [Nm]	Frequency range from: _____ [Hz] to _____ [Hz]
Ratio i: _____	Motor speed n ₁ : _____ [rpm] to _____ [rpm]
Mounting position (M1 – M6): _____	Constant torque within frequency range: _____ [Nm]
Flange: B14 B5 Ø _____ [mm]	Characteristic: 50 Hz 70 Hz 87 Hz 100 Hz
Hollow shaft Solid shaft Ø _____ x _____ [mm]	Encoder*: Incremental Absolute
Operating factor f _B : _____	Regenerative operation: Generated power _____ [kW]
Minimum bearing life L10h: _____ [h]	Ambient conditions
External forces at output: Axial F _{A2} : _____ [N]	Ambient temperature: min. _____ to max. _____ [°C]
Radial F _{R2} : _____ [N] Lever from shaft shoulder: _____ [mm]	Max. rel. humidity RH: _____ [%]
Bearing: normal VL VL2 VL3 AL	Max. installation height (if > 1.000 m): _____ [m]
Helical-bevel and Worm: A/B side for flange/shaft*	Indoor Outdoor Water contact* Direct sun light
Oil: Mineral Synthetic Food grade Bio-degradable	Other (dust/dirt/aggressive media; mechanical/chemical)*
Special oil: _____	ATEX
Motor-specific parameter	ATEX gas
Rated motor power P ₁ : _____ [kW]	Zone 1 Ex II 2G Zone 21 Ex II 2D
Motor speed n ₁ : _____ [rpm]	Zone 2 Ex II 3G Zone 22 Ex II 3D
PTC thermistors (TF) Bimetallic switches (TW)	Ex eb II T3 Non-conductive dust
Line voltage: _____ [V] Line frequency: _____ [Hz]	Ex de IIC T4 Conductive dust (only Zone 21)
Efficiency class: IE1 IE2 IE3 IE4	Paint / Surface treatment
Protection class: IP55 (Standard) IP _____	None 1.0 2.0 (Standard) 3.0 3. _____
Operating mode: S1 (Standard) S _____*	
Cycle rate: _____ [c/h]	Colour (RAL): Blue (5010) Grey (7031)
Cycle duty: _____ [%] Backstop (RLS)	Special colour (RAL-No. / Colour): _____
Ventilation: Standard External (F) None (OL)	Comments
Terminal box position: _____ Cable entries: _____	
Brake-specific parameter	
Brake torque M _B : _____ [Nm] Manual release (HL)	
Brake-/Coil voltage: _____ [V]	
Parking/emergency brake Working brake	
ATEX documentation, O&M manuals (language code according to ISO 639-1):	
DE BG ZH CS DA ES FI FR EN EL HU IT NL NO PL PT RU SV SK LV RO	

*Please add details in comments - Getriebbau NORD GmbH & Co. KG | Getriebbau-Nord-Str. 1 | D-22941 Bargteheide - EN-0919

UNICASE™ Parallel shaft gear units

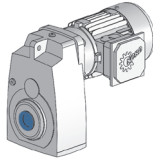
Examples - available versions

with hollow shaft

with solid shaft

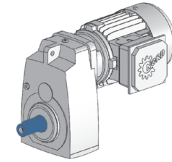
SK 1282 **A** - 90 LP/4

Hollow shaft



SK 1282 **V** - 90 LP/4

Solid shaft



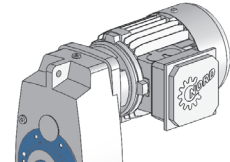
SK 2282 **AG** - 80 SP/4

Hollow shaft,
rubber buffer for torque arm



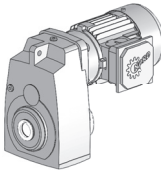
SK 2282 **VZ** - 100 LP/4

Solid shaft, B14 flange



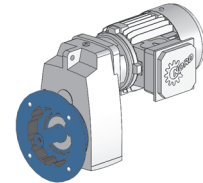
SK 3282 **AB** - 100 LP/4

Hollow shaft,
fastening element




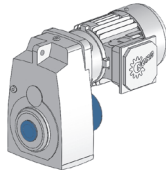
SK 3282 **VF** - 90 LP/4

Solid shaft, B5 flange



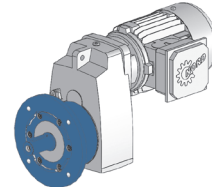
SK 4282 **ASH** - 90 LP/4

Hollow shaft,
shrink disk ⇒  page A



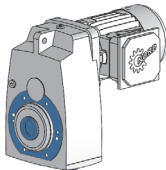
SK 4282 **VF VL2,3** - 90 LP/4

Solid shaft, B5 flange with
reinforced output shaft bearing



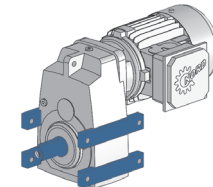
SK 5282 **AZ** - 90 SP/4

Hollow shaft, B14 flange



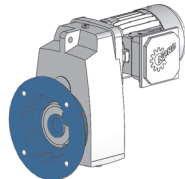
SK 5282 **VX** - 90 LP/4

Solid shaft,
Foot-mounted housing



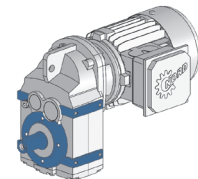
SK 1282 **AF** - 80 LP/4

Hollow shaft, B5 flange



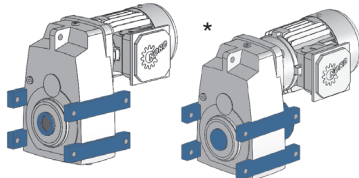
SK 0182.1 **VXZ** - 90 LP/4

Solid shaft,
Foot-mounted housing,
B14 flange



SK 1282 **AX** - 90 LP/4

Hollow shaft,
Foot-mounted housing

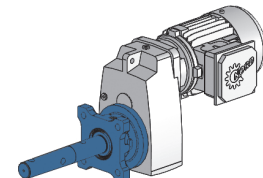


SK 1282 **AXSH** - 90 LP/4 *

Hollow shaft, shrink disk,
Foot-mounted housing

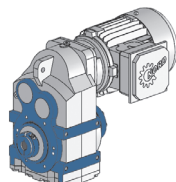
SK 0182.1 **SCP** - 90 LP/4

Screw Conveyor Package



SK 0182.1 **AXZM** - 90 LP/4

Hollow shaft, GRIPMAXX™
Foot-mounted housing,
B14 flange




0,12 kW



UNICASE™ Parallel shaft gear units

P_1 [kW]	n_2 [r/min]	M_2 [Nm]	f_B	i_{total}	F_R [kN]	F_A	$F_{R VL}$ [kN]	$F_{A VL}$ [kN]	Type	kg	mm
0,12	43	26,6	4,9	31,80	4,5	5,8			SK 0182.1 - 63 SP/4	10	D86-88
	40	28,5	4,6	34,13	4,6	5,8					
	35	32,3	4,0	38,61	4,8	5,8					
	31	36,8	3,5	43,98	5,0	5,8					
	28	41,4	3,1	49,46	5,0	5,8					
	23	48,9	2,7	58,43	5,0	5,8					
	21	53,6	2,1	64,03	5,0	5,8					
	18	62,5	1,8	74,73	5,0	5,8					
	16	72,6	1,5	86,80	5,0	5,8					
	14	79,6	1,4	95,13	5,0	5,8					
	12	92,9	1,2	111,02	4,9	5,8					
	10	110	1,0	131,56	4,8	5,8					
	9,3	124	0,9	147,93	4,8	5,8					
8,9	128	0,9	153,54	4,7	5,8						
	26	44,4	4,1	53,03	5,0	5			SK 0282.1 - 63 SP/4	12,1	D87-89
	21	55,8	3,6	66,66	5,0	5					
	18	63,3	3,2	75,69	4,9	5					
	15	77,4	2,6	92,51	4,9	5					
	13	86,9	2,3	103,89	4,8	5					
	12	92,8	2,2	110,96	4,8	5					
	11	106	1,9	126,98	4,7	5					
	9,7	118	1,7	140,98	4,7	5					
	8,5	135	1,5	161,34	4,6	5					
	7,2	159	1,3	190,64	4,4	5					
	6,8	169	1,2	201,65	4,3	5					
	6,0	191	1,0	228,16	4,0	5					
	5,5	207	0,9	247,02	3,8	5					
	21	55,4	4,9	66,23	6,4	7,2	7,0	7,2	SK 1282 - 63 SP/4	17,8	D97
	17	67,9	4,4	81,17	6,8	7,2	7,0	7,2			
	15	77,3	3,0	92,48	7,0	7,2	7,0	7,2			
	13	91,6	2,3	109,5	6,9	7,2	6,9	7,2			
	5,9	129	3,1	230,65	6,6	7,2	6,6	7,2	SK 1282.1/02 - 63 SP/4	31,8	D116
	4,9	156	2,6	280,07	6,5	7,2	6,5	7,2			
	4,2	184	2,2	329,64	6,4	7,2	6,4	7,2			
	3,5	219	1,8	392,10	6,2	7,2	6,2	7,2			
	2,9	265	1,5	475,39	5,9	7,2	5,9	7,2			
	2,5	304	1,3	545,87	5,6	7,2	5,6	7,2			
	2,0	377	1,1	675,51	4,8	7,2	4,8	7,2			
	1,8	436	0,9	781,53	3,9	7,2	3,9	7,2			
	6	128	2,3	229,08	6,8	7,2	6,8	7,2	SK 1282/02 - 63 SP/4	25,8	D116
	4,8	158	1,8	283,85	6,7	7,2	6,7	7,2			
	4,2	183	1,6	328,02	6,6	7,2	6,6	7,2			
	3,4	226	1,3	405,75	6,4	7,2	6,4	7,2			
	2,5	305	1,0	546,50	5,8	7,2	5,8	7,2			
	2,1	* 363	0,8	663,69	5,2	7,2	8,4	7,2			
	1,7	* 363	0,8	826,23	5,2	7,2	8,4	7,2			
	1,3	* 363	0,8	1066,50	5,2	7,2	8,4	7,2			
	1,0	* 363	0,8	1362,13	5,2	7,2	8,4	7,2			
	0,8	* 363	0,8	1620,65	5,2	7,2	8,4	7,2			
	0,7	* 363	0,8	1968,10	5,2	7,2	8,4	7,2			
	0,6	* 363	0,8	2448,65	5,2	7,2	8,4	7,2			
	0,4	* 363	0,8	3608,19	5,2	7,2	8,4	7,2			



P_1 [kW]	n_2 [r/min]	M_2 [Nm]	f_B	i_{total}	F_R [kN]	F_A	$F_{R VL}$ [kN]	$F_{A VL}$ [kN]	Type	kg	mm 
0,12	0,4	* 363	0,8	3857,30	5,2	7,2	8,4	7,2	SK 1282/03 - 63 SP/4	29,8	D116
	0,3	* 363	0,8	4799,54	5,2	7,2	8,4	7,2			
	0,2	* 363	0,8	6961,55	5,2	7,2	8,4	7,2			
	0,2	* 363	0,8	8281,05	5,2	7,2	8,4	7,2			
	0,1	* 363	0,8	11478,84	5,2	7,2	8,4	7,2			
	0,1	* 363	0,8	14283,77	5,2	7,2	8,4	7,2			
	7,6	150	2,7	179,22	6,6	7,2	6,6	7,2	SK 1382.1 - 63 SP/4	18,3	D94-96
	5,6	205	2,0	245,16	6,3	7,2	6,3	7,2			
	4,8	240	1,7	287,37	6,1	7,2	6,1	7,2			
	4,5	255	1,4	304,47	6,0	7,2	6,0	7,2			
	3,8	299	1,2	356,89	5,7	7,2	5,7	7,2			
	6,3	121	4,3	215,75	9,0	12	9,0	15	SK 2282/02 - 63 SP/4	36,8	D116
	4,8	161	3,2	287,51	9,0	12	9,0	15			
	3,8	199	2,6	356,28	8,9	12	8,9	15			
	3,2	236	2,2	423,50	8,8	12	8,8	15			
	2,7	287	1,8	514,51	8,6	12	8,6	15			
	2,1	369	1,4	662,92	8,2	12	8,2	15			
	1,7	460	1,1	824,77	7,6	12	7,6	15			
	1,3	594	0,9	1064,71	6,4	12	6,4	15			
	1,0	* 650	0,8	1423,06	5,0	12	11,8	15			
	0,8	* 650	0,8	1728,15	5,0	12	11,8	15			
	0,6	* 650	0,8	2133,20	5,0	12	11,8	15			
	0,5	* 650	0,8	2654,05	5,0	12	11,8	15			
	0,4	* 650	0,8	3426,39	5,0	12	11,8	15			
	0,3	* 650	0,8	4180,87	5,0	12	11,8	15	SK 2282/03 - 63 SP/4	40,8	D116
	0,3	* 650	0,8	5202,15	5,0	12	11,8	15			
	0,2	* 650	0,8	6687,47	5,0	12	11,8	15			
	0,2	* 650	0,8	7955,13	5,0	12	11,8	15			
	0,1	* 650	0,8	10900,89	5,0	12	11,8	15			
	0,1	* 650	0,8	13565,15	5,0	12	11,8	15			
	10	110	4,7	131,86	9,1	12	9,1	15	SK 2382 - 63 SP/4	35,8	D99
	9,1	125	4,2	149,96	9,0	12	9,0	15			
	7,4	155	3,4	185,11	9,0	12	9,0	15			
	5,8	197	2,4	236,11	8,9	12	8,9	15			
	5,0	231	2,4	276,27	8,8	12	8,8	15			
	4,1	276	2,0	330,45	8,6	12	8,6	15			
	3,5	327	1,6	390,93	8,4	12	8,4	15			
	2,8	404	1,3	482,56	8,0	12	8,0	15			
	2,2	521	1,0	623,10	7,1	12	7,1	15			
	1,8	* 548	0,8	763,41	7,6	12	12,5	15			
	3,8	200	4,5	358,12	10,1	14,5	10	20	SK 3282/12 - 63 SP/4	53,8	D116
	3,0	257	3,5	461,81	10,0	14,5	10	20			
	2,6	291	3,1	520,83	9,9	14,5	9,9	20			
	2,0	382	2,4	686,08	9,7	14,5	9,7	20			

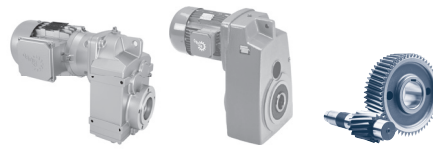
UNICASE™ Parallel shaft gear units


0,12 kW



UNICASE™ Parallel shaft gear units

P_1 [kW]	n_2 [r/min]	M_2 [Nm]	f_B	i_{total}	F_R [kN]	F_A	$F_{R VL}$ [kN]	$F_{A VL}$	Type	kg	mm
0,12	1,6	475	1,9	853,43	9,4	14,5	9,4	20	SK 3282/12 - 63 SP/4	53,8	D116
	1,3	596	1,5	1067,99	8,9	14,5	8,9	20			
	1,0	745	1,2	1335,98	8,0	14,5	8,0	20			
	0,8	946	1,0	1697,29	6,3	14,5	6,3	20			
	0,6	* 1125	0,8	2248,69	9,0	14,5	13,1	20			
	0,5	* 1125	0,8	2797,18	9,0	14,5	13,1	20			
	0,4	* 1125	0,8	3435,26	9,0	14,5	13,1	20			
0,3	* 1125	0,8	4387,09	9,0	14,5	13,1	20	SK 3282/13 - 63 SP/4	58,8	D116	
0,3	* 1125	0,8	5457,18	9,0	14,5	13,1	20				
0,2	* 1125	0,8	6817,09	9,0	14,5	13,1	20				
0,2	* 1125	0,8	8673,10	9,0	14,5	13,1	20				
0,1	* 1125	0,8	10566,6	9,0	14,5	13,1	20				
0,1	* 1125	0,8	12957,52	9,0	14,5	13,1	20				
0,1	* 1125	0,8	15685,03	9,0	14,5	13,1	20				
4,8	240	3,9	287,14	10	14,5	10	20	SK 3382 - 63 SP/4	51,8	D101	
3,4	342	2,3	408,58	9,8	14,5	9,8	20				
2,8	404	2,1	482,56	9,6	14,5	9,6	20				
2,3	489	2,0	584,13	9,3	14,5	9,3	20				
1,9	608	1,6	726,61	8,8	14,5	8,8	20				
1,7	676	1,5	808,42	8,4	14,5	8,4	20				
1,5	769	1,1	919,00	7,9	14,5	7,9	20				
1,3	855	0,9	1022,42	7,2	14,5	7,2	20				
2,0	390	4,6	698,96	14,5	22	14,5	30	SK 4282/12 - 63 SP/4	68,8	D116	
1,6	488	3,7	873,31	14,4	22	14,4	30				
1,2	620	2,9	1110,82	14,1	22	14,1	30				
1,0	749	2,4	1343,53	13,8	22	13,8	30				
0,7	1021	1,8	1830,65	13	22	13	30				
0,6	1254	1,4	2248,25	12	22	12	30				
0,5	1552	1,2	2782,46	10,3	22	10,3	30				
0,4	1994	0,9	3570,48	5,9	22	5,9	30	SK 4282/13 - 63 SP/4	73,8	D116	
0,3	* 2250	0,8	4461,53	15,3	22	22,2	30				
0,2	* 2250	0,8	5676,23	15,3	22	22,2	30				
0,2	* 2250	0,8	6915,46	15,3	22	22,2	30				
0,2	* 2250	0,8	8318,59	15,3	22	22,2	30				
0,1	* 2250	0,8	11833,65	15,3	22	22,2	30				
0,1	* 2250	0,8	14149,42	15,3	22	22,2	30				
1,3	610	4,9	1095,71	22,1	32	22,1	40	SK 5282/12 - 63 SP/4	104,8	D116	
0,8	1005	3,0	1805,75	21,6	32	21,6	40				
0,6	1236	2,4	2217,67	21,1	32	21,1	40				
0,5	1544	1,9	2772,22	20,4	32	20,4	40				
0,4	1964	1,5	3521,92	19,1	32	19,1	40	SK 5282/13 - 63 SP/4	109,8	D116	
0,3	2455	1,2	4400,85	17,1	32	17,1	40				
0,2	3119	1,0	5599,02	12,8	32	12,8	40				
0,2	* 3750	0,8	6819,85	22,0	32	34,4	40				
0,2	* 3750	0,8	8208,54	22,0	32	34,4	40				
0,1	* 3750	0,8	10940,99	22,0	32	34,4	40				
0,1	* 3750	0,8	13436,38	22,0	32	34,4	40				



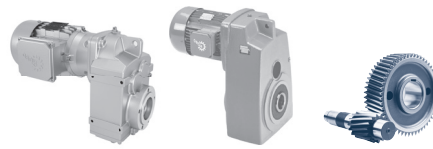
P_1 [kW]	n_2 [r/min]	M_2 [Nm]	f_B	i_{total}	F_R [kN]	F_A	$F_{R VL}$ [kN]	$F_{A VL}$ [kN]	Type	kg	mm 
0,12	0,2	3275	1,6	5867,80	25,3	46,5	25,3	60	SK 6382/23 - 63 SP/4	202,8	D116
	0,2	3705	1,5	6650,42	23,5	46,5	23,5	60			
	0,2	4222	1,3	7563,11	20,8	46,5	20,8	60			
	0,1	6345	0,9	11384,51	0	46,5	0	60			
	0,1	* 6750	0,8	13492,55	0	46,5	0	60			
	0,2	4449	1,6	7994,38	30,6	58	32,5	80	SK 7382/23 - 63 SP/4	275,8	D116
	0,1	6058	1,2	10913,31	24,7	58	26,2	80			
	0,1	6902	1,0	12411,02	20	58	21,3	80			
	0,2	4470	2,7	8019,09	58,2	73	58,2	100	SK 8382/33 - 63 SP/4	412,8	D116
	0,1	6783	1,8	12187,78	55,1	73	55,1	100			
	0,1	7410	1,6	13295,43	54,1	73	54,1	100			
	0,18	70	24,6	4,9	19,83	3,8	5,8			SK 0182.1 - 63 LP/4	10,8
62		27,8	4,3	22,43	4	5,8					
56		30,6	4,2	24,68	4,1	5,8					
50		34,6	3,8	27,92	4,2	5,8					
44		39,5	3,3	31,80	4,4	5,8					
41		42,4	3,1	34,13	4,5	5,8					
36		47,9	2,7	38,61	4,7	5,8					
31		54,6	2,4	43,98	4,8	5,8					
28		61,4	2,1	49,46	5	5,8					
24		72,5	1,8	58,43	5	5,8					
22		79,5	1,4	64,03	5	5,8					
19		92,7	1,2	74,73	4,9	5,8					
16		108	1,0	86,80	4,9	5,8					
15		118	0,9	95,13	4,8	5,8					
12		138	0,8	111,02	4,7	5,8					
11		163	0,7	131,56	4,4	5,8					
41		41,5	4,8	33,44	5	5			SK 0282.1 - 63 LP/4	12,9	D87-99
36		47,3	4,2	38,14	5	5					
32		54,3	3,7	43,78	5	5					
26		65,8	2,7	53,03	4,9	5					
21		82,7	2,4	66,66	4,9	5					
18		93,9	2,1	75,69	4,8	5					
15		115	1,7	92,51	4,7	5					
13		129	1,6	103,89	4,6	5					
12		138	1,5	110,96	4,5	5					
11		158	1,3	126,98	4,4	5					
9,8		175	1,1	140,98	4,2	5					
8,6		200	1,0	161,34	3,9	5					
7,3		237	0,8	190,64	3,4	5					
6,9		250	0,8	201,65	3,1	5					
6,1		283	0,7	228,16	2,3	5					
30		57,3	3,4	46,19	5,6	7,2	7	7,2	SK 1282 - 63 LP/4	18,7	D97
25		68,7	3,4	55,39	5,9	7,2	7	7,2			
21		82,2	3,3	66,23	6,2	7,2	6,9	7,2			
17		101	2,9	81,17	6,5	7,2	6,9	7,2			
15		115	2,0	92,48	6,7	7,2	6,9	7,2			
13	136	1,5	109,5	6,8	7,2	6,8	7,2				



0,18 kW



P_1 [kW]	n_2 [r/min]	M_2 [Nm]	f_B	i_{total}	F_R [kN]	F_A	$F_{R VL}$ [kN]	$F_{A VL}$ [kN]	Type	kg	mm
0,18	6,0	223	1,8	230,65	6,2	7,2	6,6	7,2	SK 1282.1/02 - 63 LP/4	32,7	D116
	4,9	270	1,5	280,07	5,9	7,2	6,5	7,2			
	4,2	318	1,3	329,64	5,5	7,2	6,4	7,2			
	3,5	378	1,1	392,10	4,8	7,2	6,2	7,2			
	2,9	459	0,9	475,39	3,4	7,2	5,9	7,2			
2,5	527	0,8	545,87	0,6	7,2	5,6	7,2				
	6	222	1,3	229,08	6,4	7,2	6,4	7,2	SK 1282/02 - 63 LP/4	26,7	D116
	4,9	274	1,1	283,85	6,1	7,2	6,1	7,2			
	4,2	317	0,9	328,02	5,7	7,2	5,7	7,2			
	20	85,0	4,7	68,50	6,8	7,2	2,1	7,2	SK 1382.1 - 63 LP/4	19,2	D94-96
	7,7	222	1,8	179,22	6,2	7,2	6,6	7,2			
	5,6	304	1,3	245,16	5,6	7,2	6,3	7,2			
	4,8	357	1,1	287,37	5,1	7,2	6,1	7,2			
	4,5	378	1,0	304,47	4,8	7,2	6	7,2			
	3,9	443	0,8	356,89	3,8	7,2	5,7	7,2			
	7,9	169	3,1	174,78	8,9	12	8,9	15	SK 2282/02 - 63 LP/4	37,7	D116
	6,4	209	2,5	215,75	8,8	12	8,8	15			
	4,8	278	1,9	287,51	8,6	12	8,6	15			
	3,9	344	1,5	356,28	8,3	12	8,3	15			
	3,3	409	1,3	423,50	8,0	12	8	15			
	2,7	496	1,0	514,51	7,3	12	7,3	15			
	2,1	640	0,8	662,92	5,8	12	5,8	15			
	14	122	4,6	98,35	9,0	12	9	15	SK 2382 - 63 LP/4	36,7	D99
	12	144	3,6	116,35	9,0	12	9	15			
	11	163	3,2	131,86	9,0	12	9	15			
	9,2	186	2,8	149,96	8,9	12	8,9	15			
	7,5	230	2,3	185,11	8,8	12	8,8	15			
	5,9	293	1,6	236,11	8,6	12	8,6	15			
	5	343	1,6	276,27	8,3	12	8,3	15			
	4,2	410	1,4	330,45	7,9	12	7,9	15			
	3,5	485	1,1	390,93	7,4	12	7,4	15			
	2,9	599	0,9	482,56	6,3	12	6,3	15			
	6,4	210	4,3	217,37	10	14,5	10	20	SK 3282/12 - 63 LP/4	54,7	D116
	5,1	261	3,4	270,39	10	14,5	10	20			
	3,9	346	2,6	358,12	9,8	14,5	9,8	20			
	3	445	2,0	461,81	9,5	14,5	9,5	20			
	2,7	503	1,8	520,83	9,3	14,5	9,3	20			
	2	661	1,4	686,08	8,5	14,5	8,5	20			
	1,6	822	1,1	853,43	7,5	14,5	7,5	20			
	1,3	1031	0,9	1067,99	5,3	14,5	5,3	20			
	11	158	4,9	126,93	10,1	14,5	10,1	20	SK 3382 - 63 LP/4	52,7	D116
	8,6	200	3,9	161,46	10,1	14,5	10	20			
	7,3	237	3,7	190,69	10,0	14,5	10	20			

UNICASE™ Parallel shaft gear units



P_1 [kW]	n_2 [r/min]	M_2 [Nm]	f_B	i_{total}	F_R [kN]	F_A	$F_{R VL}$ [kN]	$F_{A VL}$ [kN]	Type	kg	mm  				
0,18	6	286	3,5	230,83	9,9	14,5	9,9	20	SK 3382 - 63 LP/4	52,7	D101				
	4,8	356	2,6	287,14	9,7	14,5	9,7	20							
	3,4	507	1,6	408,58	9,2	14,5	9,2	20							
	2,9	599	1,4	482,56	8,8	14,5	8,8	20							
	2,4	725	1,4	584,13	8,1	14,5	8,1	20							
	1,9	902	1,0	726,61	6,8	14,5	6,8	20							
	1,7	1003	1,0	808,42	5,7	14,5	5,7	20							
	3,4	395	4,6	409,92	14,5	22	14,5	30							
	2,5	539	3,3	558,54	14,3	22	14,3	30							
	2	675	2,7	698,96	14,0	22	14	30							
	1,6	844	2,1	873,31	13,6	22	13,6	30							
	1,2	1073	1,7	1110,82	12,8	22	12,8	30							
	1	1297	1,4	1343,53	11,8	22	11,8	30							
	0,8	1767	1,0	1830,65	8,6	22	8,6	30							
	0,6	2172	0,8	2248,25	1,0	22	1	30							
0,18	2	665	4,5	689,45	22,0	32	22	40	SK 5282/12 - 63 LP/4	105,7	D116				
	1,6	831	3,6	862,46	21,8	32	21,8	40							
	1,3	1056	2,8	1095,71	21,5	32	21,5	40							
	0,8	1740	1,7	1805,75	19,9	32	19,9	40							
	0,6	2139	1,4	2217,67	18,5	32	18,5	40							
	0,5	2674	1,1	2772,22	15,9	32	15,9	40							
	0,4	3400	0,9	3521,92	10,0	32	10	40							
	0,2	5670	1,0	5867,8	4,4	46,5	4,4	60				SK 6382/23 - 63 LP/4	203,7	D116	
		6414	0,8	6650,42	0	46,5	0	60							
	0,2	7701	0,9	7994,38	13,3	58	14,1	80				SK 7382/23 - 63 LP/4	276,7	D116	
	0,2	7737	1,6	8019,09	53,5	73	53,5	100				SK 8382/33 - 63 LP/4	413,7	D116	
		11741	1,0	12187,78	42,7	73	42,7	100							
		12828	0,9	13295,43	38,4	73	38,4	100							
	0,25	87	27,4	4,7	16,24	3,5	5,8						SK 0182.1 - 71 SP/4	11,9	D86-88
		71	33,5	3,6	19,83	3,7	5,8								
63		37,8	3,2	22,43	3,9	5,8									
57		41,6	3,1	24,68	4,0	5,8									
51		47,1	2,8	27,92	4,1	5,8									
44		53,7	2,4	31,80	4,3	5,8									
41		57,6	2,3	34,13	4,3	5,8									
37		65,1	2,0	38,61	4,5	5,8									
32		74,2	1,8	43,98	4,6	5,8									
29		83,4	1,6	49,46	4,7	5,8									
24		98,6	1,3	58,43	4,9	5,8									
22		108	1,0	64,03	4,9	5,8									
19		126	0,9	74,73	4,7	5,8									
16		146	0,8	86,80	4,6	5,8									
15		160	0,7	95,13	4,5	5,8									
0,25	54	44,4	4,5	26,32	4,9	5			SK 0282.1 - 71 SP/4	14,3	D87-89				
	48	49,9	4,0	29,56	5,0	5									
	42	56,4	3,5	33,44	5,0	5									
	37	64,3	3,1	38,14	4,9	5									

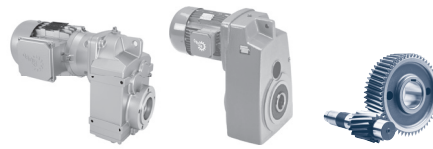
UNICASE™ Parallel shaft gear units


0,25 kW



P_1 [kW]	n_2 [r/min]	M_2 [Nm]	f_B	i_{total}	F_R [kN]	F_A	$F_{R VL}$ [kN]	$F_{A VL}$ [kN]	Type	kg	mm D
0,25	32	73,9	2,7	43,78	4,9	5			SK 0282.1 - 71 SP/4	14,3	D87-89
	27	89,5	2,0	53,03	4,8	5					
	21	112	1,8	66,66	4,7	5					
	19	128	1,6	75,69	4,6	5					
	15	156	1,3	92,51	4,4	5					
	14	175	1,1	103,89	4,2	5					
	13	187	1,1	110,96	4,1	5					
	11	214	0,9	126,98	3,7	5					
	10	238	0,8	140,98	3,4	5					
8,8	272	0,7	161,34	2,6	5						
	50	47,8	4,7	28,33	4,7	7,2	7	7,2	SK 1282 - 71 SP/4	20,1	D97
	44	54,1	4,3	32,08	4,9	7,2	7	7,2			
	34	69,2	3,1	41,07	5,2	7,2	7	7,2			
	31	77,9	2,5	46,19	5,4	7,2	6,9	7,2			
	29	83	3,1	49,25	5,5	7,2	6,9	7,2			
	26	93,4	2,5	55,39	5,6	7,2	6,9	7,2			
	24	99,4	2,8	58,89	5,7	7,2	6,9	7,2			
	21	112	2,4	66,23	5,9	7,2	6,9	7,2			
	20	122	2,4	72,17	6,1	7,2	6,8	7,2			
	17	137	2,2	81,17	6,2	7,2	6,8	7,2			
	15	156	1,5	92,48	6,4	7,2	6,7	7,2			
	13	185	1,1	109,5	6,6	7,2	6,6	7,2			
	6,1	327	1,2	230,65	5,4	7,2	6,6	7,2			
	5,1	397	1,0	280,07	4,5	7,2	6,5	7,2			
	4,3	467	0,9	329,64	3,2	7,2	6,4	7,2			
	3,6	556	0,7	392,10	0	7,2	6,2	7,2			
	6,2	325	0,9	229,08	5,6	7,2	5,6	7,2	SK 1282/02 - 71 SP/4	28,1	D116
	28	86,7	4,6	51,41	6,8	7,2	4,8	7,2	SK 1382.1 - 71 SP/4	20,6	D94-96
	26	91,6	4,4	54,32	6,7	7,2	4,5	7,2			
	23	102	3,9	60,26	6,7	7,2	3,8	7,2			
	21	116	3,5	68,50	6,7	7,2	2,1	7,2			
	10	229	1,7	135,72	6,2	7,2	0	7,2			
	8,9	268	1,5	159,09	5,9	7,2	0	7,2			
	7,9	302	1,3	179,22	5,6	7,2	6,6	7,2			
	6,5	367	1,1	217,62	4,9	7,2	0	7,2			
	5,8	414	1,0	245,16	4,3	7,2	6,3	7,2			
	4,9	485	0,8	287,37	2,7	7,2	6,1	7,2			
	4,6	514	0,7	304,47	1,7	7,2	6	7,2			

UNICASE™ Parallel shaft gear units



P_1 [kW]	n_2 [r/min]	M_2 [Nm]	f_B	i_{total}	F_R [kN]	F_A	$F_{R VL}$ [kN]	$F_{A VL}$	Type	kg	mm 
0,25	20	118	3,8	69,67	9,0	12	9	15	SK 2282 - 71 SP/4	31,1	D98
	17	139	3,4	82,42	9,0	12	9	15			
	14	170	2,6	100,98	8,9	12	8,9	15			
	14	176	2,3	104,07	8,9	12	8,9	15			
	11	215	1,8	127,51	8,8	12	8,8	15			
8,1	249	2,1	174,78	8,7	12	8,7	15	SK 2282/02 - 71 SP/4	39,1	D116	
6,5	307	1,7	215,75	8,5	12	8,5	15				
4,9	408	1,3	287,51	8,0	12	8	15				
4	505	1,0	356,28	7,3	12	7,3	15				
3,3	601	0,9	423,5	6,3	12	6,3	15				
17	139	4,0	82,22	9,0	12	9	15	SK 2382 - 71 SP/4	38,1	D99	
14	166	3,4	98,35	9,0	12	9	15				
12	196	2,7	116,35	8,9	12	8,9	15				
11	222	2,3	131,86	8,8	12	8,8	15				
9,4	253	2,1	149,96	8,7	12	8,7	15				
7,6	312	1,7	185,11	8,5	12	8,5	15				
6	398	1,2	236,11	8,0	12	8	15				
5,1	466	1,2	276,27	7,6	12	7,6	15				
4,3	557	1,0	330,45	6,8	12	6,8	15				
20	119	4,7	70,56	10,1	14,5	10,1	20	SK 3282 - 71 SP/4	46,1	D100	
14	170	4,7	100,88	10,1	14,5	10,1	20				
13	189	4,1	112,23	10,1	14,5	10,1	20				
10	200	4,5	141,49	10,1	14,5	10	20	SK 3282/12 - 71 SP/4	56,1	D116	
7,9	255	3,5	179,57	10	14,5	10	20				
6,5	308	2,9	217,37	9,9	14,5	9,9	20				
5,2	383	2,3	270,39	9,7	14,5	9,7	20				
4	508	1,8	358,12	9,2	14,5	9,2	20				
3,1	654	1,4	461,81	8,6	14,5	8,6	20				
2,7	738	1,2	520,83	8,1	14,5	8,1	20				
2,1	971	0,9	686,08	6,1	14,5	6,1	20				
16	151	4,1	89,60	10,1	14,5	10,1	20	SK 3382 - 71 SP/4	54,1	D101	
14	175	4,2	104,05	10,1	14,5	10,1	20				
11	214	3,6	126,93	10	14,5	10	20				
8,8	272	2,9	161,46	9,9	14,5	9,9	20				
7,4	322	2,7	190,69	9,8	14,5	9,8	20				
6,1	389	2,6	230,83	9,6	14,5	9,6	20				
4,9	484	1,9	287,14	9,3	14,5	9,3	20				
3,5	689	1,2	408,58	8,4	14,5	8,4	20				
2,9	814	1,1	482,56	7,5	14,5	7,5	20				
2,4	985	1,0	584,13	5,9	14,5	5,9	20				
4,7	428	4,2	302,24	14,4	22	14,4	30				SK 4282/12 - 71 SP/4
4,1	484	3,7	340,87	14,4	22	14,4	30				
3,5	581	3,1	409,92	14,2	22	14,2	30				
2,5	791	2,3	558,54	13,7	22	13,7	30				
2	991	1,8	698,96	13,1	22	13,1	30				
1,6	1239	1,5	873,31	12,1	22	12,1	30				
1,3	1575	1,1	1110,82	10,2	22	10,2	30				
1,1	1904	0,9	1343,53	7,1	22	7,1	30				

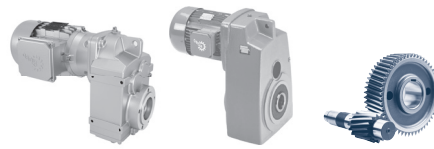
UNICASE™ Parallel shaft gear units

0,25 kW
0,37 kW



P_1 [kW]	n_2 [r/min]	M_2 [Nm]	f_B	i_{total}	F_R [kN]	F_A	$F_{R VL}$ [kN]	$F_{A VL}$ [kN]	Type	kg	mm mm
0,25	5,2	460	3,4	272,54	14,4	22	14,4	30	SK 4382 - 71 SP/4	76,1	D103
	4,3	551	3,4	326,81	14,2	22	14,2	30			
	3,6	660	3,0	390,76	14,0	22	14	30			
	3,2	751	2,2	445,23	13,8	22	13,8	30			
	2,7	899	2,2	532,44	13,4	22	13,4	30			
	2,2	1103	1,1	654,27	12,7	22	12,7	30			
	1,8	1320	1,1	782,32	11,7	22	11,7	30			
1,3	1906	0,8	1129,91	7,1	22	7,1	30				
	3,2	635	4,7	448,15	22,0	32	22	40	SK 5282/12 - 71 SP/4	107,1	D116
	2,6	779	3,9	550,94	21,9	32	21,9	40			
	2,1	977	3,1	689,45	21,6	32	21,6	40			
	1,6	1221	2,5	862,46	21,2	32	21,2	40			
	1,3	1551	1,9	1095,71	20,4	32	20,4	40			
	1,1	1890	1,6	1334,62	19,4	32	19,4	40			
	0,8	2555	1,2	1805,75	16,6	32	16,6	40			
	0,6	3140	1,0	2217,67	12,6	32	12,6	40			
	0,5	3881	1,2	2738,39	22,6	46,5	22,6	60	SK 6382/22 - 71 SP/4	197,1	D116
	0,4	4898	1,1	3450,76	16,0	46,5	16	60			
	0,3	5896	0,8	4164,86	0	46,5	0	60			
	0,3	6930	1,0	4892,48	19,8	58	21,1	80	SK 7382/22 - 71 SP/4	270,1	D116
	0,3	8009	0,9	5662,68	9,1	58	9,7	80			
	0,3	7801	1,6	5507,20	53,3	73	53,3	100	SK 8382/32 - 71 SP/4	406,1	D116
	0,2	9355	1,3	6616,79	49,9	73	49,9	100			
	0,2	11360	1,1	8019,09	44,1	73	44,1	100	SK 8382/33 - 71 SP/4	415,1	D116
0,37	123	28,8	4,5	11,45	3,1	5,8			SK 0182.1 - 71 LP/4	13	D86-88
	108	32,8	4,0	13,05	3,2	5,8					
	99	35,8	3,6	14,25	3,3	5,8					
	87	40,8	3,2	16,24	3,4	5,8					
	71	49,9	2,4	19,83	3,6	5,8			SK 0182.1 - 71 LP/4	13,3	D86-88
	63	56,4	2,1	22,43	3,7	5,8					
	57	62,1	2,1	24,68	3,8	5,8					
	50	70,2	1,9	27,92	3,9	5,8					
	44	80,0	1,6	31,8	4,0	5,8					
	41	85,8	1,5	34,13	4,1	5,8					
	36	97,1	1,3	38,61	4,2	5,8					
	32	111	1,2	43,98	4,3	5,8					
	28	124	1,0	49,46	4,4	5,8					
	24	147	0,9	58,43	4,6	5,8					
	22	161	0,7	64,03	4,5	5,8					
	87	40,5	4,9	16,12	4,2	5			SK 0282.1 - 71 LP/4	15,1	D87-89
	77	45,9	4,4	18,24	4,3	5					
	74	47,7	4,2	18,96	4,3	5			SK 0282.1 - 71 LP/4	15,4	D87-89
	65	54,2	3,7	21,53	4,5	5					
	53	66,2	3,0	26,32	4,7	5					
	48	74,3	2,7	29,56	4,9	5					
	42	84,1	2,4	33,44	4,9	5					

UNICASE™ Parallel shaft gear units



P_1 [kW]	n_2 [r/min]	M_2 [Nm]	f_B	i_{total}	F_R [kN]	F_A	$F_{R VL}$ [kN]	$F_{A VL}$ [kN]	Type	kg	mm D
0,37	37	95,9	2,1	38,14	4,8	5			SK 0282.1 - 71 LP/4	15,4	D87-89
	32	110	1,8	43,78	4,7	5					
	26	133	1,3	53,03	4,6	5					
	21	168	1,2	66,66	4,3	5					
	19	190	1,1	75,69	4,0	5					
	15	233	0,9	92,51	3,4	5					
	14	261	0,8	103,89	2,9	5					
13	279	0,7	110,96	2,4	5						
	68	51,8	4,3	20,57	4,2	7,2	7	7,2	SK 1282 - 71 LP/4	21,2	D97
	56	63,5	3,5	25,22	4,4	7,2	7	7,2			
	50	71,3	3,2	28,33	4,6	7,2	7	7,2			
	44	80,7	2,9	32,08	4,7	7,2	6,9	7,2			
	34	103	2,1	41,07	5,0	7,2	6,9	7,2			
	30	116	1,7	46,19	5,1	7,2	6,9	7,2			
	29	124	2,1	49,25	5,2	7,2	6,8	7,2			
	25	139	1,7	55,39	5,3	7,2	6,8	7,2			
	24	148	1,9	58,89	5,4	7,2	6,8	7,2			
	21	167	1,6	66,23	5,6	7,2	6,7	7,2			
	19	181	1,6	72,17	5,7	7,2	6,6	7,2			
	17	204	1,5	81,17	5,8	7,2	6,5	7,2			
	15	232	1,0	92,48	5,9	7,2	6,3	7,2			
	43	83,0	4,8	32,99	6,1	7,2	6,1	7,2	SK 1382.1 - 71 LP/4	21,7	D94-96
	36	97,2	4,1	38,67	6,4	7,2	5,8	7,2			
	32	111	3,6	44,19	6,6	7,2	5,4	7,2			
	27	129	3,1	51,41	6,6	7,2	4,8	7,2			
	26	137	2,9	54,32	6,6	7,2	4,5	7,2			
	23	152	2,6	60,26	6,6	7,2	3,8	7,2			
	21	172	2,3	68,50	6,5	7,2	2,1	7,2			
	10	341	1,2	135,72	5,2	7,2	0	7,2			
	8,8	400	1,0	159,09	4,5	7,2	0	7,2			
	7,8	451	0,9	179,22	3,6	7,2	6,6	7,2			
	6,5	547	0,7	217,62	0	7,2	0	7,2			
	38	93,5	4,9	37,18	9,1	12	9,1	15	SK 2282 - 71 LP/4	32,2	D98
	20	175	2,5	69,67	8,9	12	8,9	15			
	17	207	2,3	82,42	8,8	12	8,8	15			
	14	254	1,7	100,98	8,7	12	8,7	15			
	14	262	1,5	104,07	8,7	12	8,7	15			
	11	321	1,2	127,51	8,4	12	8,4	15			

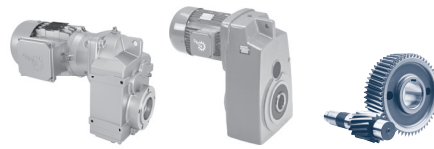
UNICASE™ Parallel shaft gear units


0,37 kW



P_1 [kW]	n_2 [r/min]	M_2 [Nm]	f_B	i_{total}	F_R [kN]	F_A	$F_{R VL}$ [kN]	$F_{A VL}$ [kN]	Type	kg	mm 			
0,37	8	394	1,3	174,78	8,0	12	8	15	SK 2282/02 - 71 LP/4	40,2	D116			
	6,5	486	1,1	215,75	7,4	12	7,4	15						
	4,9	646	0,8	287,51	5,8	12	5,8	15						
	17	207	2,7	82,22	8,8	12	8,8	15	SK 2382 - 71 LP/4	39,2	D99			
	14	247	2,3	98,35	8,7	12	8,7	15						
	12	293	1,8	116,35	8,6	12	8,6	15						
	11	331	1,6	131,86	8,4	12	8,4	15						
	9,4	377	1,4	149,96	8,1	12	8,1	15						
	7,6	466	1,1	185,11	7,6	12	7,6	15						
	20	177	3,2	70,56	10,1	14,5	10,1	20	SK 3282 - 71 LP/4	47,2	D100			
	14	254	3,2	100,88	10,0	14,5	10	20						
	13	282	2,7	112,23	9,9	14,5	9,9	20						
	16	197	4,6	87,73	10,1	14,5	10	20	SK 3282/12 - 71 LP/4	57,2	D116			
	12	256	3,5	114,23	10	14,5	10	20						
	9,9	317	2,8	141,49	9,8	14,5	9,8	20						
	7,8	403	2,2	179,57	9,6	14,5	9,6	20						
	6,5	488	1,8	217,37	9,3	14,5	9,3	20						
	5,2	607	1,5	270,39	8,8	14,5	8,8	20						
	3,9	803	1,1	358,12	7,6	14,5	7,6	20						
	3	1035	0,9	461,81	5,2	14,5	5,2	20						
	16	225	2,8	89,60	10,0	14,5	10	20				SK 3382 - 71 LP/4	55,2	D101
	14	261	2,8	104,05	9,9	14,5	9,9	20						
	11	319	2,4	126,93	9,8	14,5	9,8	20						
	8,7	406	1,9	161,46	9,6	14,5	9,6	20						
	7,4	480	1,8	190,69	9,4	14,5	9,4	20						
	6,1	580	1,7	230,83	8,9	14,5	8,9	20						
	4,9	722	1,3	287,14	8,2	14,5	8,2	20						
	7,9	397	4,5	176,96	14,5	22	14,5	30	SK 4282/12 - 71 LP/4	72,2	D116			
	6	526	3,4	234,38	14,3	22	14,3	30						
	4,7	678	2,7	302,24	14,0	22	14	30						
	4,1	765	2,4	340,87	13,8	22	13,8	30						
	3,4	919	2,0	409,92	13,4	22	13,4	30						
	2,5	1251	1,4	558,54	12,0	22	12	30						
	2	1569	1,1	698,96	10,2	22	10,2	30						
	1,6	1961	0,9	873,31	6,4	22	6,4	30						
	8,8	402	4,1	160,20	14,5	22	14,5	30	SK 4382 - 71 LP/4	77,2	D103			
	7,3	482	4,1	191,57	14,4	22	14,4	30						
	5,2	685	2,3	272,54	14,0	22	14	30						
	4,3	822	2,3	326,81	13,6	22	13,6	30						
	3,6	984	2,0	390,76	13,1	22	13,1	30						
	3,2	1119	1,5	445,23	12,6	22	12,6	30						
	2,6	1340	1,5	532,44	11,6	22	11,6	30						
	5,2	612	4,9	273,15	22,1	32	22,1	40				SK 5282/12 - 71 LP/4	108,2	D116
	4,2	759	4,0	338,35	21,9	32	21,9	40						
	3,1	1005	3,0	448,15	21,6	32	21,6	40						
	2,6	1233	2,4	550,94	21,1	32	21,1	40						
	2	1546	1,9	689,45	20,4	32	20,4	40						
	1,6	1932	1,6	862,46	19,3	32	19,3	40						
	1,3	2455	1,2	1095,71	17,1	32	17,1	40						
	1,1	2991	1,0	1334,62	13,8	32	13,8	40						

UNICASE™ Parallel shaft gear units



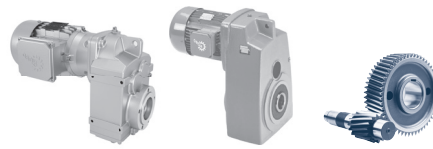
P_1 [kW]	n_2 [r/min]	M_2 [Nm]	f_B	i_{total}	F_R [kN]	F_A	$F_{R VL}$ [kN]	$F_{A VL}$ [kN]	Type	kg	mm 																																																																																																																																																																																																																																																																																																																																																																																														
0,37	5,2	680	4,0	269,99	22,0	32	22	40	SK 5382 - 71 LP/4	117,2	D105																																																																																																																																																																																																																																																																																																																																																																																														
	4,2	834	3,8	331,48	21,8	32	21,8	40				2,5	1279	4,2	569,11	30,0	46,5	30	60	SK 6382/22 - 71 LP/4	198,2	D116	2,2	1429	3,8	637,53	29,8	46,5	29,8	60	1,7	1842	2,9	818,71	29,2	46,5	29,2	60	1,3	2478	2,2	1104,39	27,8	46,5	27,8	60	1,1	2828	1,9	1259,27	26,8	46,5	26,8	60	2	1593	4,4	714,31	35,6	58	37,8	80	SK 7382/22 - 71 LP/4	271,2	D116	1,5	2091	3,4	933,91	35,1	58	37,3	80	1,3	2337	3,0	1046,18	34,8	58	37	80	1	3011	2,4	1343,5	33,8	58	35,9	80	0,8	4051	1,7	1812,31	31,6	58	33,6	80	0,7	4623	1,5	2066,45	30,1	58	31,9	80	1	3057	4,0	1366,83	59,4	73	59,4	100	SK 8382/32 - 71 LP/4	407,2	D116	0,8	3796	3,2	1697,85	58,8	73	58,8	100	0,3	12346	1,0	5507,20	40,4	73	40,4	100	0,2	14806	0,8	6616,79	27,4	73	27,4	100	0,3	10599	2,3	4736,06	73,4	102	73,4	130	SK 9382/43 - 71 LP/4	739,2	D116	0,3	12579	1,9	5612,08	70,5	102	70,5	130	0,2	15084	1,6	6734,26	66,0	102	66	130	0,2	18069	1,3	8068,17	58,9	102	58,9	130	0,1	24590	1,0	10974,53	31,2	102	31,2	130	0,1	29196	0,8	13055,17	0	102	0	130	0,55	199	26,4	4,9	7,12	2,6	5			SK 0182.1 - 80 SP/4	15,5	D86-88	174	30,3	4,3	8,18	2,7	5,2			160	32,8	4,0	8,87	2,8	5,3			140	37,4	3,5	10,13	2,9	5,5			124	42,4	3,1	11,45	3,0	5,7			109	48,3	2,7	13,05	3,1	5,8			100	52,7	2,5	14,25	3,2	5,8			87	60,1	2,2	16,24	3,3	5,8			72	73,3	1,6	19,83	3,4	5,8			SK 0182.1 - 80 SP/4	15,8	D86-88	63	83,0	1,4	22,43	3,5	5,8			58	91,3	1,4	24,68	3,5	5,8			51	103	1,3	27,92	3,6	5,8			45	118	1,1	31,80	3,7	5,8			42	126	1,0	34,13	3,7	5,8			37	143	0,9	38,61	3,8	5,8			32	163	0,8	43,98	3,9	5,8			126	41,8	4,8	11,30	3,6	5			SK 0282.1 - 80 SP/4	17,6	D87-89	111	47,3	4,2	12,78	3,7	5			99	53,1	3,8	14,36	3,9	5			88	59,6	3,4	16,12	4,0	5			78	67,5	3,0	18,24	4,1	5			75	70,1	2,9	18,96	4,2	5			SK 0282.1 - 80 SP/4	17,9	D87-89	66	79,6	2,5	21,53	4,3	5			54	97,3	2,1	26,32	4,5
	2,5	1279	4,2	569,11	30,0	46,5	30	60	SK 6382/22 - 71 LP/4	198,2	D116																																																																																																																																																																																																																																																																																																																																																																																														
	2,2	1429	3,8	637,53	29,8	46,5	29,8	60																																																																																																																																																																																																																																																																																																																																																																																																	
	1,7	1842	2,9	818,71	29,2	46,5	29,2	60																																																																																																																																																																																																																																																																																																																																																																																																	
	1,3	2478	2,2	1104,39	27,8	46,5	27,8	60																																																																																																																																																																																																																																																																																																																																																																																																	
	1,1	2828	1,9	1259,27	26,8	46,5	26,8	60				2	1593	4,4	714,31	35,6	58	37,8	80	SK 7382/22 - 71 LP/4	271,2	D116	1,5	2091	3,4	933,91	35,1	58	37,3	80	1,3	2337	3,0	1046,18	34,8	58	37	80	1	3011	2,4	1343,5	33,8	58	35,9	80	0,8	4051	1,7	1812,31	31,6	58	33,6	80	0,7	4623	1,5	2066,45	30,1	58	31,9	80				1	3057	4,0	1366,83	59,4	73	59,4	100	SK 8382/32 - 71 LP/4	407,2	D116	0,8	3796	3,2	1697,85	58,8	73	58,8	100	0,3	12346	1,0	5507,20	40,4	73	40,4	100	0,2	14806	0,8	6616,79	27,4	73	27,4	100	0,3	10599	2,3	4736,06	73,4	102	73,4	130	SK 9382/43 - 71 LP/4	739,2	D116	0,3	12579	1,9	5612,08	70,5	102	70,5	130	0,2	15084	1,6	6734,26	66,0	102	66	130	0,2	18069	1,3	8068,17	58,9	102	58,9	130	0,1	24590	1,0	10974,53	31,2	102	31,2	130	0,1	29196	0,8	13055,17	0				102	0	130	0,55	199	26,4	4,9	7,12	2,6	5			SK 0182.1 - 80 SP/4	15,5	D86-88	174	30,3	4,3	8,18	2,7	5,2			160	32,8	4,0	8,87	2,8	5,3			140	37,4	3,5	10,13	2,9	5,5			124		42,4	3,1	11,45	3,0	5,7			109				48,3	2,7	13,05	3,1	5,8			100	52,7	2,5	14,25	3,2	5,8			87	60,1	2,2	16,24	3,3	5,8			72	73,3	1,6	19,83	3,4	5,8			SK 0182.1 - 80 SP/4	15,8	D86-88	63	83,0	1,4	22,43	3,5	5,8			58	91,3	1,4	24,68	3,5	5,8			51	103	1,3	27,92	3,6	5,8			45	118	1,1	31,80	3,7	5,8						42	126	1,0	34,13	3,7	5,8			37	143	0,9	38,61	3,8	5,8			32	163	0,8	43,98	3,9	5,8			126	41,8	4,8	11,30	3,6	5			SK 0282.1 - 80 SP/4	17,6	D87-89	111	47,3	4,2	12,78	3,7	5			99	53,1	3,8	14,36	3,9	5			88	59,6	3,4	16,12	4,0	5			78	67,5	3,0	18,24	4,1	5			75	70,1	2,9	18,96	4,2	5			SK 0282.1 - 80 SP/4	17,9	D87-89	66	79,6	2,5	21,53	4,3	5			54	97,3	2,1	26,32	4,5	5																													
	2	1593	4,4	714,31	35,6	58	37,8	80	SK 7382/22 - 71 LP/4	271,2	D116																																																																																																																																																																																																																																																																																																																																																																																														
	1,5	2091	3,4	933,91	35,1	58	37,3	80																																																																																																																																																																																																																																																																																																																																																																																																	
	1,3	2337	3,0	1046,18	34,8	58	37	80																																																																																																																																																																																																																																																																																																																																																																																																	
	1	3011	2,4	1343,5	33,8	58	35,9	80																																																																																																																																																																																																																																																																																																																																																																																																	
	0,8	4051	1,7	1812,31	31,6	58	33,6	80																																																																																																																																																																																																																																																																																																																																																																																																	
	0,7	4623	1,5	2066,45	30,1	58	31,9	80				1	3057	4,0	1366,83	59,4	73	59,4	100	SK 8382/32 - 71 LP/4	407,2	D116	0,8	3796	3,2	1697,85	58,8	73	58,8	100	0,3	12346	1,0	5507,20	40,4	73	40,4	100	0,2	14806	0,8	6616,79	27,4	73	27,4	100	0,3	10599	2,3	4736,06	73,4	102	73,4	130	SK 9382/43 - 71 LP/4	739,2	D116	0,3	12579	1,9	5612,08	70,5	102	70,5	130	0,2	15084	1,6	6734,26	66,0	102	66	130	0,2	18069	1,3	8068,17	58,9	102	58,9	130	0,1	24590	1,0	10974,53	31,2	102	31,2	130	0,1	29196	0,8	13055,17	0	102	0	130	0,55	199	26,4	4,9	7,12	2,6	5			SK 0182.1 - 80 SP/4	15,5	D86-88	174	30,3	4,3	8,18	2,7	5,2			160	32,8	4,0	8,87	2,8	5,3			140	37,4	3,5	10,13	2,9	5,5			124	42,4	3,1	11,45	3,0	5,7			109	48,3	2,7	13,05	3,1	5,8			100	52,7	2,5	14,25	3,2		5,8			87	60,1	2,2	16,24	3,3				5,8			72	73,3	1,6	19,83	3,4	5,8			SK 0182.1 - 80 SP/4	15,8	D86-88	63	83,0	1,4	22,43	3,5	5,8			58	91,3	1,4		24,68	3,5	5,8			51	103	1,3	27,92	3,6	5,8			45	118	1,1	31,80	3,7	5,8			42	126	1,0	34,13	3,7	5,8			37	143	0,9	38,61	3,8	5,8			32	163	0,8	43,98	3,9				5,8			126	41,8	4,8	11,30	3,6	5			SK 0282.1 - 80 SP/4	17,6	D87-89	111	47,3	4,2	12,78	3,7	5			99	53,1	3,8	14,36	3,9	5			88	59,6	3,4	16,12	4,0	5			78	67,5	3,0	18,24	4,1	5			75	70,1	2,9	18,96	4,2	5			SK 0282.1 - 80 SP/4	17,9	D87-89	66	79,6	2,5	21,53	4,3	5			54	97,3	2,1	26,32	4,5	5																																																																																					
	1	3057	4,0	1366,83	59,4	73	59,4	100	SK 8382/32 - 71 LP/4	407,2	D116																																																																																																																																																																																																																																																																																																																																																																																														
	0,8	3796	3,2	1697,85	58,8	73	58,8	100																																																																																																																																																																																																																																																																																																																																																																																																	
	0,3	12346	1,0	5507,20	40,4	73	40,4	100																																																																																																																																																																																																																																																																																																																																																																																																	
	0,2	14806	0,8	6616,79	27,4	73	27,4	100				0,3	10599	2,3	4736,06	73,4	102	73,4	130	SK 9382/43 - 71 LP/4	739,2	D116	0,3	12579	1,9	5612,08	70,5	102	70,5	130	0,2	15084	1,6	6734,26	66,0	102	66	130	0,2	18069	1,3	8068,17	58,9	102	58,9	130	0,1	24590	1,0	10974,53	31,2	102	31,2	130				0,1	29196	0,8	13055,17	0	102	0	130	0,55	199	26,4	4,9	7,12	2,6	5			SK 0182.1 - 80 SP/4	15,5	D86-88	174	30,3	4,3	8,18	2,7	5,2			160	32,8	4,0	8,87	2,8	5,3			140	37,4	3,5	10,13		2,9	5,5			124	42,4	3,1	11,45				3,0	5,7			109	48,3	2,7	13,05	3,1	5,8			100	52,7	2,5	14,25	3,2	5,8			87	60,1	2,2	16,24	3,3	5,8			72	73,3	1,6	19,83	3,4	5,8			SK 0182.1 - 80 SP/4	15,8	D86-88	63	83,0	1,4	22,43	3,5	5,8				58	91,3	1,4	24,68	3,5	5,8			51	103	1,3	27,92	3,6	5,8			45	118	1,1	31,80				3,7	5,8			42	126	1,0	34,13	3,7	5,8				37	143	0,9	38,61	3,8	5,8			32	163	0,8	43,98	3,9	5,8			126	41,8	4,8	11,30	3,6	5			SK 0282.1 - 80 SP/4	17,6	D87-89	111	47,3	4,2	12,78	3,7	5			99	53,1	3,8	14,36	3,9	5			88	59,6	3,4	16,12	4,0	5			78	67,5	3,0	18,24				4,1	5			75	70,1	2,9	18,96	4,2	5			SK 0282.1 - 80 SP/4	17,9	D87-89	66	79,6	2,5	21,53	4,3	5			54	97,3	2,1	26,32	4,5	5																																																																																																																	
	0,3	10599	2,3	4736,06	73,4	102	73,4	130	SK 9382/43 - 71 LP/4	739,2	D116																																																																																																																																																																																																																																																																																																																																																																																														
	0,3	12579	1,9	5612,08	70,5	102	70,5	130																																																																																																																																																																																																																																																																																																																																																																																																	
	0,2	15084	1,6	6734,26	66,0	102	66	130																																																																																																																																																																																																																																																																																																																																																																																																	
0,2	18069	1,3	8068,17	58,9	102	58,9	130																																																																																																																																																																																																																																																																																																																																																																																																		
0,1	24590	1,0	10974,53	31,2	102	31,2	130																																																																																																																																																																																																																																																																																																																																																																																																		
0,1	29196	0,8	13055,17	0	102	0	130	0,55				199	26,4	4,9	7,12	2,6	5			SK 0182.1 - 80 SP/4	15,5	D86-88	174	30,3	4,3	8,18	2,7	5,2			160	32,8	4,0	8,87	2,8	5,3			140	37,4	3,5	10,13	2,9	5,5			124	42,4	3,1	11,45	3,0	5,7			109	48,3	2,7	13,05	3,1	5,8			100	52,7	2,5		14,25	3,2	5,8			87	60,1	2,2				16,24	3,3	5,8			72	73,3	1,6	19,83	3,4	5,8			SK 0182.1 - 80 SP/4	15,8	D86-88	63	83,0	1,4	22,43		3,5	5,8			58	91,3	1,4	24,68	3,5	5,8			51	103	1,3	27,92	3,6	5,8			45	118	1,1	31,80	3,7	5,8			42	126	1,0	34,13	3,7	5,8			37	143	0,9	38,61	3,8	5,8			32	163	0,8				43,98	3,9	5,8			126		41,8	4,8	11,30	3,6	5			SK 0282.1 - 80 SP/4	17,6	D87-89	111	47,3	4,2	12,78	3,7	5			99	53,1	3,8	14,36	3,9	5			88	59,6	3,4	16,12	4,0	5			78	67,5	3,0	18,24	4,1	5			75	70,1	2,9	18,96	4,2	5			SK 0282.1 - 80 SP/4	17,9	D87-89	66	79,6	2,5	21,53	4,3	5			54	97,3	2,1	26,32	4,5	5																																																																																																																																																																											
0,55	199	26,4	4,9	7,12	2,6	5				SK 0182.1 - 80 SP/4	15,5	D86-88																																																																																																																																																																																																																																																																																																																																																																																													
	174	30,3	4,3	8,18	2,7	5,2																																																																																																																																																																																																																																																																																																																																																																																																			
	160	32,8	4,0	8,87	2,8	5,3																																																																																																																																																																																																																																																																																																																																																																																																			
	140	37,4	3,5	10,13	2,9	5,5																																																																																																																																																																																																																																																																																																																																																																																																			
	124	42,4	3,1	11,45	3,0	5,7																																																																																																																																																																																																																																																																																																																																																																																																			
	109	48,3	2,7	13,05	3,1	5,8																																																																																																																																																																																																																																																																																																																																																																																																			
	100	52,7	2,5	14,25	3,2	5,8																																																																																																																																																																																																																																																																																																																																																																																																			
	87	60,1	2,2	16,24	3,3	5,8							72	73,3	1,6	19,83	3,4	5,8			SK 0182.1 - 80 SP/4	15,8	D86-88	63	83,0	1,4	22,43	3,5	5,8			58	91,3	1,4	24,68	3,5	5,8			51	103	1,3	27,92	3,6	5,8			45	118	1,1	31,80	3,7	5,8			42	126	1,0	34,13	3,7	5,8			37	143		0,9	38,61	3,8	5,8			32	163	0,8	43,98	3,9	5,8			126	41,8	4,8	11,30	3,6	5			SK 0282.1 - 80 SP/4	17,6	D87-89	111	47,3	4,2	12,78	3,7	5				99	53,1	3,8	14,36	3,9	5			88	59,6	3,4	16,12	4,0	5			78	67,5	3,0	18,24	4,1	5			75	70,1	2,9	18,96	4,2	5			SK 0282.1 - 80 SP/4	17,9	D87-89	66	79,6	2,5	21,53	4,3	5			54	97,3	2,1	26,32	4,5	5																																																																																																																																																																																																																																																				
	72	73,3	1,6	19,83	3,4	5,8				SK 0182.1 - 80 SP/4	15,8	D86-88																																																																																																																																																																																																																																																																																																																																																																																													
	63	83,0	1,4	22,43	3,5	5,8																																																																																																																																																																																																																																																																																																																																																																																																			
	58	91,3	1,4	24,68	3,5	5,8																																																																																																																																																																																																																																																																																																																																																																																																			
	51	103	1,3	27,92	3,6	5,8																																																																																																																																																																																																																																																																																																																																																																																																			
	45	118	1,1	31,80	3,7	5,8																																																																																																																																																																																																																																																																																																																																																																																																			
	42	126	1,0	34,13	3,7	5,8																																																																																																																																																																																																																																																																																																																																																																																																			
	37	143	0,9	38,61	3,8	5,8																																																																																																																																																																																																																																																																																																																																																																																																			
	32	163	0,8	43,98	3,9	5,8							126	41,8	4,8	11,30	3,6	5			SK 0282.1 - 80 SP/4	17,6	D87-89	111	47,3	4,2	12,78	3,7	5			99	53,1	3,8	14,36	3,9	5			88	59,6	3,4	16,12	4,0	5			78	67,5	3,0	18,24	4,1	5			75	70,1	2,9	18,96	4,2	5			SK 0282.1 - 80 SP/4	17,9	D87-89	66	79,6	2,5	21,53	4,3	5			54	97,3	2,1	26,32	4,5	5																																																																																																																																																																																																																																																																																																																									
	126	41,8	4,8	11,30	3,6	5				SK 0282.1 - 80 SP/4	17,6	D87-89																																																																																																																																																																																																																																																																																																																																																																																													
	111	47,3	4,2	12,78	3,7	5																																																																																																																																																																																																																																																																																																																																																																																																			
	99	53,1	3,8	14,36	3,9	5																																																																																																																																																																																																																																																																																																																																																																																																			
	88	59,6	3,4	16,12	4,0	5																																																																																																																																																																																																																																																																																																																																																																																																			
78	67,5	3,0	18,24	4,1	5			75	70,1				2,9	18,96	4,2	5			SK 0282.1 - 80 SP/4	17,9	D87-89	66	79,6	2,5	21,53	4,3	5			54	97,3	2,1	26,32	4,5	5																																																																																																																																																																																																																																																																																																																																																																						
75	70,1	2,9	18,96	4,2	5			SK 0282.1 - 80 SP/4	17,9	D87-89																																																																																																																																																																																																																																																																																																																																																																																															
66	79,6	2,5	21,53	4,3	5																																																																																																																																																																																																																																																																																																																																																																																																				
54	97,3	2,1	26,32	4,5	5																																																																																																																																																																																																																																																																																																																																																																																																				


UNICASE™ Parallel shaft gear units



P_1 [kW]	n_2 [r/min]	M_2 [Nm]	f_B	i_{total}	F_R [kN]	F_A	$F_{R VL}$ [kN]	$F_{A VL}$ [kN]	Type	kg	mm mm
0,55	48	109	1,8	29,56	4,6	5			SK 0282.1 - 80 SP/4	17,9	D87-89
	42	124	1,6	33,44	4,6	5					
	37	141	1,4	38,14	4,5	5					
	32	162	1,2	43,78	4,3	5					
	27	196	0,9	53,03	4,0	5					
	21	247	0,8	66,66	3,2	5					
	19	280	0,7	75,69	2,4	5					
	121	43,4	4,7	11,76	3,4	7,1	7,0	7,2	SK 1282 - 80 SP/4	23,7	D97
	101	52,1	4,0	14,11	3,6	7,2	7,0	7,2			
	82	63,7	3,5	17,21	3,8	7,2	7,0	7,2			
	69	76,2	3,0	20,57	4,0	7,2	7,0	7,2			
	56	93,4	2,4	25,22	4,2	7,2	6,9	7,2			
	50	105	2,1	28,33	4,3	7,2	6,9	7,2			
	44	119	1,9	32,08	4,4	7,2	6,9	7,2			
	35	152	1,4	41,07	4,6	7,2	6,7	7,2			
	31	171	1,1	46,19	4,7	7,2	6,7	7,2			
	29	182	1,4	49,25	4,8	7,2	6,6	7,2			
	26	205	1,1	55,39	4,9	7,2	6,5	7,2			
	24	218	1,3	58,89	4,9	7,2	6,4	7,2			
	21	245	1,1	66,23	5,0	7,2	6,3	7,2			
	20	267	1,1	72,17	5,1	7,2	6,1	7,2			
	17	300	1,0	81,17	5,1	7,2	5,8	7,2			
	58	90,9	4,4	24,57	5,4	7,2	6,4	7,2	SK 1282.1 - 80 SP/4	23,7	D90-92
	50	106	3,8	28,54	5,6	7,2	6,3	7,2	SK 1382.1 - 80 SP/4	24,2	D94-96
	43	122	3,3	32,99	5,8	7,2	6,1	7,2			
	37	143	2,8	38,67	6,0	7,2	5,8	7,2			
	32	163	2,4	44,19	6,2	7,2	5,4	7,2			
	28	190	2,1	51,41	6,4	7,2	4,8	7,2			
	26	201	2,0	54,32	6,3	7,2	4,5	7,2			
	24	223	1,8	60,26	6,2	7,2	3,8	7,2			
	21	253	1,6	68,50	6,0	7,2	2,1	7,2			
	17	307	1,3	82,94	5,6	7,2	0	7,2			
	15	360	1,1	97,22	5,0	7,2	0	7,2			
	14	383	1,0	103,68	4,7	7,2	0	7,2			
	12	449	0,9	121,52	3,6	7,2	0	7,2			
	10	502	0,8	135,72	2,2	7,2	0	7,2			
	8,9	588	0,7	159,09	0	7,2	0	7,2			

UNICASE™ Parallel shaft gear units



P_1 [kW]	n_2 [r/min]	M_2 [Nm]	f_B	i_{total}	F_R [kN]	F_A	$F_{R VL}$ [kN]	$F_{A VL}$ [kN]	Type	kg	mm 
0,55	59	88,7	4,9	23,96	8,3	12	9,1	15	SK 2282 - 80 SP/4	34,7	D98
	53	99,2	4,4	26,83	8,6	12	9,1	15			
	48	110	4,6	29,65	8,8	12	9,1	15			
	38	138	3,3	37,18	9,0	12	9	15			
	31	167	2,7	45,11	8,9	12	8,9	15			
	26	200	2,5	53,96	8,9	12	8,9	15			
	22	236	2,2	63,83	8,8	12	8,8	15			
	20	258	1,7	69,67	8,7	12	8,7	15			
	17	305	1,6	82,42	8,5	12	8,5	15			
	14	373	1,2	100,98	8,2	12	8,2	15			
	14	385	1,0	104,07	8,1	12	8,1	15			
11	471	0,8	127,51	7,5	12	7,5	15				
17	304	1,8	82,22	8,5	12	8,5	15	SK 2382 - 80 SP/4	41,7	D99	
14	364	1,5	98,35	8,2	12	8,2	15				
12	431	1,2	116,35	7,8	12	7,8	15				
11	487	1,1	131,86	7,4	12	7,4	15				
9,5	555	0,9	149,96	6,8	12	6,8	15				
30	178	3,1	48,04	10,1	14,5	10,1	20	SK 3282 - 80 SP/4	49,7	D100	
25	206	3,1	55,79	10,0	14,5	10	20				
22	244	3,1	65,89	10,0	14,5	10	20				
20	261	2,2	70,56	10,0	14,5	10	20				
18	295	2,9	79,76	9,9	14,5	9,9	20				
16	328	2,9	88,74	9,8	14,5	9,8	20				
14	373	2,2	100,88	9,7	14,5	9,7	20				
13	415	1,9	112,23	9,6	14,5	9,6	20				
16	301	3,0	87,73	9,9	14,5	9,9	20	SK 3282/12 - 80 SP/4	59,7	D116	
12	391	2,3	114,23	9,6	14,5	9,6	20				
10	485	1,9	141,49	9,3	14,5	9,3	20				
7,9	616	1,5	179,57	8,8	14,5	8,8	20				
6,5	746	1,2	217,37	8,0	14,5	8	20				
5,3	928	1,0	270,39	6,5	14,5	6,5	20				
16	331	1,9	89,60	9,8	14,5	9,8	20	SK 3382 - 80 SP/4	57,7	D101	
14	384	1,9	104,05	9,7	14,5	9,7	20				
11	470	1,6	126,93	9,4	14,5	9,4	20				
8,8	597	1,3	161,46	8,9	14,5	8,9	20				
7,4	706	1,2	190,69	8,3	14,5	8,3	20				
6,2	854	1,2	230,83	7,2	14,5	7,2	20				
4,9	1062	0,9	287,14	4,8	14,5	4,8	20				
11	437	4,1	127,52	14,4	22	14,4	30				SK 4282/12 - 80 SP/4
9,3	523	3,4	152,47	14,3	22	14,3	30				
8	608	3,0	176,96	14,1	22	14,1	30				
6,1	805	2,2	234,38	13,7	22	13,7	30				
4,7	1036	1,7	302,24	13,0	22	13	30				
4,2	1170	1,5	340,87	12,4	22	12,4	30				
3,5	1405	1,3	409,92	11,2	22	11,2	30				
2,5	1914	0,9	558,54	7,0	22	7,0	30				
21	247	4,9	66,65	14,6	22	14,6	30	SK 4382 - 80 SP/4	79,7	D103	
12	438	4,6	118,38	14,4	22	14,4	30				
10	520	3,8	140,60	14,3	22	14,3	30				
8,9	592	2,8	160,20	14,2	22	14,2	30				


UNICASE™ Parallel shaft gear units



UNICASE™ Parallel shaft gear units

P_1 [kW]	n_2 [r/min]	M_2 [Nm]	f_B	i_{total}	F_R [kN]	F_A	$F_{R VL}$ [kN]	$F_{A VL}$	Type	kg	mm
0,55	7,4	708	2,8	191,57	13,9	22	13,9	30	SK 4382 - 80 SP/4	79,7	D103
	6,7	781	2,1	211,09	13,7	22	13,7	30			
	5,2	1008	1,6	272,54	13,1	22	13,1	30			
	4,7	1120	1,9	302,65	12,6	22	12,6	30			
	4,3	1209	1,6	326,81	12,2	22	12,2	30			
	4,1	1275	1,3	344,84	11,9	22	11,9	30			
	3,6	1447	1,4	390,76	11,0	22	11	30			
	3,4	1526	1,3	412,38	10,5	22	10,5	30			
	3,2	1647	1,0	445,23	9,6	22	9,6	30			
2,7	1971	1,0	532,44	6,3	22	6,3	30				
6,1	798	3,8	232,66	21,9	32	21,9	40	SK 5282/12 - 80 SP/4	110,7	D116	
5,2	936	3,2	273,15	21,7	32	21,7	40				
4,2	1161	2,6	338,35	21,3	32	21,3	40				
3,2	1537	2,0	448,15	20,4	32	20,4	40				
2,6	1885	1,6	550,94	19,4	32	19,4	40				
2,1	2363	1,3	689,45	17,5	32	17,5	40				
1,6	2954	1,0	862,46	14,1	32	14,1	40				
8,3	634	4,4	171,27	22,0	32	22	40	SK 5382 - 80 SP/4	119,7	D105	
7	750	4,3	202,57	21,9	32	21,9	40				
5,7	920	3,5	248,70	21,7	32	21,7	40				
5,3	1000	2,7	269,99	21,6	32	21,6	40				
4,3	1226	2,6	331,48	21,2	32	21,2	40				
3,9	1338	2,1	361,69	20,9	32	20,9	40				
3,3	1583	2,0	427,79	20,3	32	20,3	40				
2,7	1941	1,6	525,20	19,2	32	19,2	40				
2,5	2111	1,3	570,18	18,6	32	18,6	40				
2	2588	1,2	700,03	16,4	32	16,4	40				
4,1	1197	4,5	347,33	30,1	46,5	30,1	60	SK 6382/22 - 80 SP/4	200,7	D116	
3,3	1490	3,6	435,29	29,7	46,5	29,7	60				
2,5	1956	2,8	569,11	28,9	46,5	28,9	60				
2,2	2186	2,5	637,53	28,5	46,5	28,5	60				
1,7	2816	1,9	818,71	26,8	46,5	26,8	60				
1,3	3789	1,4	1104,39	23,1	46,5	23,1	60				
1,1	4324	1,2	1259,27	20,2	46,5	20,2	60				
0,8	6376	0,8	1859,20	0	46,5	0	60				
3,3	1491	4,7	435,50	35,7	58	37,9	80	SK 7382/22 - 80 SP/4	273,7	D116	
2,5	1957	3,6	569,97	35,2	58	37,4	80				
2	2436	2,9	714,31	34,6	58	36,8	80				
1,5	3197	2,2	933,91	33,4	58	35,5	80				
1,4	3574	2,0	1046,18	32,7	58	34,7	80				
1,1	4604	1,5	1343,5	30,1	58	32	80				
0,8	6194	1,1	1812,31	24,0	58	25,5	80				
0,7	7069	1,0	2066,45	18,8	58	20	80				
1,6	3049	4,0	891,21	59,4	73	59,4	100				SK 8382/32 - 80 SP/4
1,3	3642	3,3	1064,91	58,9	73	58,9	100				
1	4674	2,6	1366,83	58,0	73	58	100				
0,8	5805	2,1	1697,85	56,6	73	56,6	100				
0,5	10276	1,2	3005,57	47,5	73	47,5	100				
0,4	12069	1,0	3524,83	41,5	73	41,5	100				
0,3	14415	0,8	4211,43	30,1	73	30,1	100				



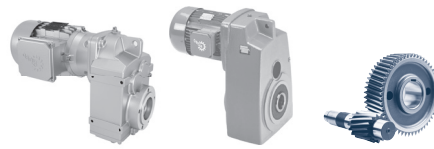
P_1 [kW]	n_2 [r/min]	M_2 [Nm]	f_B	i_{total}	F_R [kN]	F_A	$F_{R VL}$ [kN]	$F_{A VL}$ [kN]	Type	kg	mm 			
0,55	0,3	16207	1,5	4736,06	63,5	102	63,5	130	SK 9382/43 - 80 SP/4	741,7	D116			
	0,3	19236	1,2	5612,08	55,5	102	55,5	130						
	0,2	23065	1,0	6734,26	40,3	102	40,3	130						
	0,2	27630	0,9	8068,17	0	102	0	130						
0,75	292	24,5	4,9	4,85	2,3	4,3			SK 0182.1 - 80 LP/4	16	D86-88			
	255	28,0	4,3	5,54	2,4	4,5								
	227	31,5	4,1	6,23	2,5	4,7								
	199	36,1	3,6	7,12	2,5	4,8								
	173	41,4	3,1	8,18	2,6	5								
	160	44,9	2,9	8,87	2,7	5,1								
	140	51,2	2,5	10,13	2,8	5,3								
	124	58,0	2,2	11,45	2,8	5,4								
	108	66,1	2,0	13,05	2,9	5,6								
	99	72,1	1,8	14,25	3,0	5,7								
	87	82,2	1,6	16,24	3,1	5,8								
	71	100	1,2	19,83	3,1	5,8						SK 0182.1 - 80 LP/4	16,3	D86-88
	63	114	1,1	22,43	3,2	5,8								
	57	125	1,0	24,68	3,3	5,8								
	51	141	0,9	27,92	3,3	5,8								
	44	161	0,8	31,80	3,3	5,8								
41	173	0,8	34,13	3,4	5,8									
37	195	0,7	38,61	3,4	5,8									
172	41,7	4,8	8,24	3,2	5			SK 0282.1 - 80 LP/4	18,1	D87-89				
154	46,4	4,3	9,18	3,3	5									
141	50,9	3,9	10,06	3,4	5									
125	57,2	3,5	11,30	3,5	5									
111	64,7	3,1	12,78	3,6	5									
99	72,7	2,8	14,36	3,7	5									
88	81,6	2,5	16,12	3,8	5									
78	92,3	2,2	18,24	3,9	5									
75	96,0	2,1	18,96	4,0	5						SK 0282.1 - 80 LP/4	18,4	D87-89	
66	109	1,8	21,53	4,1	5									
54	133	1,5	26,32	4,2	5									
48	150	1,3	29,56	4,3	5									
42	169	1,2	33,44	4,3	5									
37	193	1,0	38,14	4,0	5									
32	222	0,9	43,78	3,6	5									
27	268	0,7	53,03	2,7	5									
173	41,4	3,9	8,21	3,0	6,3	7	7,2	SK 1282 - 80 LP/4	24,2	D97				
172	41,7	4,6	8,24	3,0	6,2	7	7,2							
154	46,4	4,1	9,18	3,1	6,4	7	7,2							
137	52,4	3,7	10,34	3,2	6,6	7	7,2							
120	59,4	3,4	11,76	3,3	6,9	7	7,2							
100	71,3	2,9	14,11	3,5	7,2	7	7,2							
82	87,1	2,6	17,21	3,7	7,2	6,9	7,2							
69	104	2,2	20,57	3,8	7,2	6,9	7,2							
56	128	1,8	25,22	4,0	7,2	6,8	7,2							
50	143	1,6	28,33	4,1	7,2	6,8	7,2							
44	162	1,4	32,08	4,2	7,2	6,7	7,2							
34	208	1,0	41,07	4,2	7,2	6,5	7,2							
31	234	0,8	46,19	4,3	7,2	6,3	7,2							


0,75 kW



P_1 [kW]	n_2 [r/min]	M_2 [Nm]	f_B	i_{total}	F_R [kN]	F_A	$F_{R VL}$ [kN]	$F_{A VL}$ [kN]	Type	kg	mm
0,75	29	249	1,0	49,25	4,3	7,2	6,2	7,2	SK 1282 - 80 LP/4	24,2	D97
	26	280	0,8	55,39	4,4	7,2	6	7,2			
	24	298	0,9	58,89	4,4	7,2	5,9	7,2			
	21	335	0,8	66,23	4,4	7,2	5,5	7,2			
	20	365	0,8	72,17	4,4	7,2	5,2	7,2			
	85	84,3	4,7	16,66	4,7	7,2	6,7	7,2	SK 1282.1 - 80 LP/4	24,2	D90-92
	72	98,8	4,0	19,52	4,9	7,2	6,6	7,2			
	68	106	3,8	20,96	5,0	7,2	6,6	7,2			
	58	124	3,2	24,57	5,2	7,2	6,4	7,2			
	50	144	2,8	28,54	5,4	7,2	6,3	7,2	SK 1382.1 - 80 LP/4	24,7	D94-96
	43	167	2,4	32,99	5,5	7,2	6,1	7,2			
	37	196	2	38,67	5,7	7,2	5,8	7,2			
	32	224	1,8	44,19	5,8	7,2	5,4	7,2			
	28	260	1,5	51,41	5,9	7,2	4,8	7,2			
	26	275	1,5	54,32	5,9	7,2	4,5	7,2			
	23	305	1,3	60,26	5,6	7,2	3,8	7,2			
	21	347	1,2	68,50	5,2	7,2	2,1	7,2			
	17	420	1	82,94	4,2	7,2	0	7,2			
	15	492	0,8	97,22	2,5	7,2	0	7,2			
	14	525	0,8	103,68	0,9	7,2	0	7,2			
	12	615	0,7	121,52	0	7,2	0	7,2			
		65	111	4,3	21,90	7,9	12	9,1			
59		121	3,6	23,96	8,1	12	9,0	15			
57		126	3,9	24,97	8,2	12	9,0	15			
53		136	3,2	26,83	8,4	12	9,0	15			
48		150	3,3	29,65	8,6	12	9,0	15			
38		188	2,4	37,18	8,9	12	8,9	15			
31		228	2,0	45,11	8,8	12	8,8	15			
26		273	1,9	53,96	8,6	12	8,6	15			
22		323	1,6	63,83	8,4	12	8,4	15			
20		353	1,3	69,67	8,3	12	8,3	15			
17		417	1,1	82,42	7,9	12	7,9	15			
14		511	0,9	100,98	7,2	12	7,2	15			
	17	416	1,3	82,22	7,9	12	7,9	15	SK 2382 - 80 LP/4	42,2	D99
	14	498	1,1	98,35	7,3	12	7,3	15			
	12	589	0,9	116,35	6,4	12	6,4	15			
	37	191	4,4	37,77	10,1	14,5	10,1	20	SK 3282 - 80 LP/4	50,2	D100
	34	213	4,4	42,02	10	14,5	10,0	20			
	29	243	2,3	48,04	10	14,5	10,0	20			
	25	282	2,3	55,79	9,9	14,5	9,9	20			
	21	334	2,3	65,89	9,8	14,5	9,8	20			
	20	357	1,6	70,56	9,7	14,5	9,7	20			
	18	404	2,1	79,76	9,6	14,5	9,6	20			
	16	449	2,1	88,74	9,5	14,5	9,5	20			
	14	510	1,6	100,88	9,2	14,5	9,2	20			
	13	568	1,4	112,23	9,0	14,5	9,0	20			

UNICASE™ Parallel shaft gear units



P_1 [kW]	n_2 [r/min]	M_2 [Nm]	f_B	i_{total}	F_R [kN]	F_A	$F_{R VL}$ [kN]	$F_{A VL}$ [kN]	Type	kg	mm 
0,75	16	420	2,1	87,73	9,6	14,5	9,6	20	SK 3282/12 - 80 LP/4	60,2	D116
	12	546	1,6	114,23	9,1	14,5	9,1	20			
	10	678	1,3	141,49	8,4	14,5	8,4	20			
	7,9	861	1,0	179,57	7,1	14,5	7,1	20			
	6,5	1042	0,9	217,37	5,1	14,5	5,1	20			
	16	453	1,4	89,60	9,4	14,5	9,4	20	SK 3382 - 80 LP/4	58,2	D101
	14	526	1,4	104,05	9,2	14,5	9,2	20			
	11	643	1,2	126,93	8,6	14,5	8,6	20			
	8,8	817	1,0	161,46	7,5	14,5	7,5	20			
	7,4	965	0,9	190,69	6,1	14,5	6,1	20			
	6,1	1168	0,9	230,83	2,5	14,5	2,5	20			
	11	611	2,9	127,52	14,1	22	14,1	30	SK 4282/12 - 80 LP/4	75,2	D116
	9,3	731	2,5	152,47	13,9	22	13,9	30			
	8	849	2,1	176,96	13,6	22	13,6	30			
	6	1124	1,6	234,38	12,6	22	12,6	30			
	4,7	1448	1,2	302,24	11,0	22	11,0	30			
	4,1	1635	1,1	340,87	9,7	22	9,7	30			
	3,5	1963	0,9	409,92	6,4	22	6,4	30			
	21	338	3,6	66,65	14,5	22	14,5	30	SK 4382 - 80 LP/4	80,2	D103
	16	439	4,5	86,83	14,4	22	14,4	30			
	14	526	3,8	103,82	14,3	22	14,3	30			
	12	600	3,3	118,38	14,2	22	14,2	30			
	10	712	2,8	140,60	13,9	22	13,9	30			
	8,8	810	2,0	160,20	13,7	22	13,7	30			
	7,4	969	2,1	191,57	13,2	22	13,2	30			
	6,7	1068	1,5	211,09	12,8	22	12,8	30			
	5,2	1379	1,1	272,54	11,4	22	11,4	30			
	4,7	1533	1,4	302,65	10,5	22	10,5	30			
	4,3	1654	1,1	326,81	9,6	22	9,6	30			
	4,1	1745	1,0	344,84	8,8	22	8,8	30			
	3,6	1980	1,0	390,76	6,1	22	6,1	30			
	3,4	2089	1,0	412,38	4,2	22	4,2	30			
	9,9	682	4,4	142,18	22,0	32	22,0	40	SK 5282/12 - 80 LP/4	111,2	D116
	8,1	836	3,6	174,55	21,8	32	21,8	40			
	6,1	1115	2,7	232,66	21,4	32	21,4	40			
	5,2	1307	2,3	273,15	21,0	32	21,0	40			
	4,2	1621	1,9	338,35	20,2	32	20,2	40			

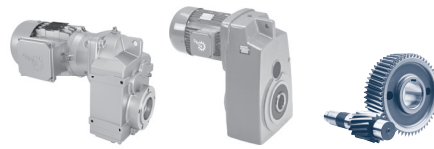
UNICASE™ Parallel shaft gear units

0,75 kW
1,10 kW



P_1 [kW]	n_2 [r/min]	M_2 [Nm]	f_B	i_{total}	F_R [kN]	F_A	$F_{R VL}$ [kN]	$F_{A VL}$ [kN]	Type	kg	mm
0,75	3,2	2147	1,4	448,15	18,5	32	18,5	40	SK 5282/12 - 80 LP/4	111,2	D116
	2,6	2633	1,1	550,94	16,1	32	16,1	40			
	2,1	3302	0,9	689,45	11,1	32	11,1	40			
0,75	12	594	4,6	117,37	22,1	32	22,1	40	SK 5382 - 80 LP/4	120,2	D105
	10	702	4,6	138,82	22,0	32	22,0	40			
	9,2	779	4,1	153,92	21,9	32	21,9	40			
	8,3	867	3,2	171,27	21,8	32	21,8	40			
	7,0	1026	3,1	202,57	21,5	32	21,5	40			
	5,7	1259	2,5	248,70	21,1	32	21,1	40			
	5,2	1369	2,0	269,99	20,9	32	20,9	40			
	4,3	1678	1,9	331,48	20,1	32	20,1	40			
	3,9	1830	1,5	361,69	19,6	32	19,6	40			
	3,3	2166	1,5	427,79	18,4	32	18,4	40			
	2,7	2656	1,2	525,20	16,0	32	16,0	40			
	2,5	2888	1,0	570,18	14,5	32	14,5	40			
	2,0	3541	0,9	700,03	8,2	32	8,2	40			
0,75	4,7	1438	3,8	298,46	29,8	46,5	29,8	60	SK 6382/22 - 80 LP/4	201,2	D116
	4,1	1673	3,2	347,33	29,5	46,5	29,5	60			
	3,3	2082	2,6	435,29	28,7	46,5	28,7	60			
	2,5	2732	2,0	569,11	27,1	46,5	27,1	60			
	2,2	3054	1,8	637,53	26,1	46,5	26,1	60			
	1,7	3934	1,4	818,71	22,4	46,5	22,4	60			
	1,3	5293	1,0	1104,39	11,8	46,5	11,8	60			
	1,1	6041	0,9	1259,27	0	46,5	0	60			
0,75	3,8	1803	3,9	376,26	35,4	58	37,6	80	SK 7382/22 - 80 LP/4	274,2	D116
	3,3	2083	3,4	435,50	35,1	58	37,3	80			
	2,5	2735	2,6	569,97	34,2	58	36,4	80			
	2	3403	2,1	714,31	33,0	58	35,1	80			
	1,5	4467	1,6	933,91	30,5	58	32,4	80			
	1,4	4993	1,4	1046,18	28,9	58	30,7	80			
	1,1	6432	1,1	1343,50	22,8	58	24,2	80			
	0,8	8654	0,8	1812,31	0	58	0	80			
0,75	1,6	4260	2,8	891,21	58,4	73	58,4	100	SK 8382/32 - 80 LP/4	410,2	D116
	1,3	5088	2,4	1064,91	57,5	73	57,5	100			
	1,0	6531	1,9	1366,83	55,5	73	55,5	100			
	0,8	8110	1,5	1697,85	52,7	73	52,7	100			
	0,5	14356	0,8	3005,57	30,4	73	30,4	100			
0,75	0,3	22643	1,1	4736,06	42,4	102	42,4	130	SK 9382/43 - 80 LP/4	742,2	D116
	0,3	26874	0,9	5612,08	0	102	0	130			
1,10	295	35,6	3,4	4,85	2,2	4			SK 0182.1 - 90 SP/4	20,9	D86-88
	258	40,7	2,9	5,54	2,3	4,3					
	230	45,8	2,8	6,23	2,3	4,4					
	201	52,3	2,5	7,12	2,4	4,6					
	175	60,1	2,2	8,18	2,5	4,7					
	161	65,1	2,0	8,87	2,5	4,8					
	141	74,4	1,7	10,13	2,6	4,9					
	125	84,1	1,5	11,45	2,6	5					
	110	95,9	1,4	13,05	2,7	5,1					
	100	105	1,2	14,25	2,7	5,3					
	88	119	1,1	16,24	2,7	5,3					

UNICASE™ Parallel shaft gear units



P_1 [kW]	n_2 [r/min]	M_2 [Nm]	f_B	i_{total}	F_R [kN]	F_A [kN]	$F_{R VL}$ [kN]	$F_{A VL}$ [kN]	Type	kg	mm
1,10	72	146	0,8	19,83	2,7	5,4			SK 0182.1 - 90 SP/4	21,2	D86-88
	64	165	0,7	22,43	2,7	5,4					
	58	181	0,7	24,68	2,8	5,5					
	299	35,1	4,6	4,79	2,7	5			SK 0282.1 - 90 SP/4	23	D87-89
	261	40,2	4,0	5,47	2,8	5					
	223	47,1	3,8	6,43	2,9	5					
	210	50,1	4,0	6,82	2,9	5					
	174	60,5	3,3	8,24	3,1	5					
	156	67,3	3,0	9,18	3,2	5					
	142	73,9	2,7	10,06	3,2	5					
	127	83,0	2,4	11,30	3,3	5					
	112	93,9	2,1	12,78	3,3	5					
	100	105	1,9	14,36	3,5	5					
	89	118	1,7	16,12	3,5	5					
	78	134	1,5	18,24	3,6	5					
	75	139	1,4	18,96	3,6	5			SK 0282.1 - 90 SP/4	23,3	D87-89
	66	158	1,3	21,53	3,7	5					
	54	193	1,0	26,32	3,7	5					
	48	217	0,9	29,56	3,7	5					
	43	246	0,8	33,44	3,2	5					
	37	280	0,7	38,14	2,4	5					
	299	35,1	3,6	4,79	2,5	5	7	7,2	SK 1282 - 90 SP/4	29,1	D97
	261	40,2	4,3	5,47	2,6	5,3	7	7,2			
	223	47,1	3,8	6,43	2,7	5,6	7	7,2			
	197	53,2	3,5	7,24	2,8	5,8	7	7,2			
	175	60,1	2,7	8,21	2,9	6,0	7	7,2			
	174	60,5	3,2	8,24	2,9	5,9	7	7,2			
	156	67,3	2,8	9,18	3,0	6,1	7	7,2			
	138	76,0	2,6	10,34	3,0	6,3	7	7,2			
	122	86,3	2,4	11,76	3,1	6,5	6,9	7,2			
	102	103	2,0	14,11	3,3	6,8	6,9	7,2			
	83	126	1,8	17,21	3,4	7,1	6,8	7,2			
	69	151	1,5	20,57	3,5	7,2	6,7	7,2			
	57	185	1,2	25,22	3,6	7,2	6,6	7,2			
	50	208	1,1	28,33	3,6	7,2	6,5	7,2			
	45	236	1,0	32,08	3,7	7,2	6,3	7,2			
	131	79,9	5,0	10,88	4,0	6,9	6,8	7,2	SK 1282.1 - 90 SP/4	29,1	D90-92
	117	89,5	4,5	12,19	4,1	7,1	6,8	7,2			
	104	101	4,0	13,74	4,3	7,2	6,7	7,2			
	86	122	3,3	16,66	4,4	7,2	6,7	7,2			
	73	143	2,8	19,52	4,6	7,2	6,6	7,2			
	68	154	2,6	20,96	4,6	7,2	6,6	7,2			
	58	180	2,2	24,57	4,8	7,2	6,4	7,2			

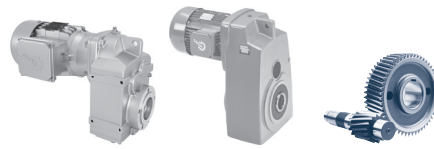
UNICASE™ Parallel shaft gear units



1,10 kW



P_1 [kW]	n_2 [r/min]	M_2 [Nm]	f_B	i_{total}	F_R [kN]	F_A	$F_{R VL}$ [kN]	$F_{A VL}$ [kN]	Type	kg	mm
1,10	50	210	1,9	28,54	4,9	7,2	6,3	7,2	SK 1382.1 - 90 SP/4	29,6	D94-96
	43	242	1,7	32,99	4,9	7,2	6,1	7,2			
	37	284	1,4	38,67	5,0	7,2	5,8	7,2			
	32	325	1,2	44,19	5,0	7,2	5,4	7,2			
	28	378	1,1	51,41	4,8	7,2	4,8	7,2			
	26	399	1,0	54,32	4,5	7,2	4,5	7,2			
	24	443	0,9	60,26	3,8	7,2	3,8	7,2			
	21	503	0,8	68,50	2,1	7,2	2,1	7,2			
17	609	0,7	82,94	0	7,2	0	7,2				
	222	47,2	4,8	6,43	5,4	10,8	9,1	15	SK 2282 - 90 SP/4	40,1	D98
	191	54,9	4,4	7,48	5,6	11,3	9,1	15			
	171	61,4	4,2	8,37	5,8	11,7	9,1	15			
	141	74,6	4,8	10,15	6,1	12	9,1	15			
	121	86,8	4,4	11,81	6,4	12	9,1	15			
	108	97	4,2	13,23	6,6	12	9,1	15			
	86	122	3,9	16,53	7,1	12	9,0	15			
	77	136	3,6	18,51	7,3	12	9,0	15			
	65	161	3,0	21,90	7,6	12	9,0	15			
	60	176	2,5	23,96	7,8	12	8,9	15			
	57	184	2,7	24,97	7,9	12	8,9	15			
	53	197	2,2	26,83	8,0	12	8,9	15			
	48	218	2,3	29,65	8,2	12	8,8	15			
	46	229	1,9	31,23	8,2	12	8,8	15			
	39	269	1,9	36,54	8,5	12	8,6	15			
	38	273	1,7	37,18	8,6	12	8,6	15			
	33	321	1,8	43,71	8,4	12	8,4	15			
	32	332	1,4	45,11	8,4	12	8,4	15			
	28	380	1,4	51,71	8,1	12	8,1	15			
	26	397	1,3	53,96	8,0	12	8,0	15			
	22	469	1,1	63,83	7,5	12	7,5	15			
	21	512	0,9	69,67	7,2	12	7,2	15			
	17	604	0,9	82,22	6,3	12	6,3	15	SK 2382 - 90 SP/4	47,1	D99
	67	157	4,6	21,38	8,5	14,5	10,1	20	SK 3282 - 90 SP/4	55,1	D100
	64	165	4,9	22,45	8,6	14,5	10,1	20			
	60	174	4,6	23,71	8,7	14,5	10,1	20			
	55	190	4,5	25,88	9,0	14,5	10,1	20			
	50	211	4,1	28,70	9,2	14,5	10,1	20			
	45	234	3,7	31,93	9,5	14,5	10,1	20			
	38	278	3,0	37,77	9,9	14,5	9,9	20			
	37	283	2,2	38,62	9,8	14,5	9,9	20			
	34	309	3,0	42,02	9,9	14,5	9,9	20			
	32	329	2,2	44,85	9,8	14,5	9,8	20			
	30	353	1,6	48,04	9,7	14,5	9,7	20			

UNICASE™ Parallel shaft gear units



P_1 [kW]	n_2 [r/min]	M_2 [Nm]	f_B	i_{total}	F_R [kN]	F_A	$F_{R VL}$ [kN]	$F_{A VL}$ [kN]	Type	kg	mm  
1,10	27	389	2,2	52,97	9,6	14,5	9,6	20	SK 3282 - 90 SP/4	55,1	D100
	26	410	1,6	55,79	9,6	14,5	9,6	20			
	22	471	2,2	64,12	9,4	14,5	9,4	20			
	22	484	1,6	65,89	9,3	14,5	9,3	20			
	20	518	1,1	70,56	9,2	14,5	9,2	20			
	18	586	1,5	79,76	8,9	14,5	8,9	20			
	16	652	1,4	88,74	8,6	14,5	8,6	20			
	14	741	1,1	100,88	8,0	14,5	8,0	20			
13	824	0,9	112,23	7,4	14,5	7,4	20				
16	644	1,4	87,73	8,6	14,5	8,6	20	SK 3282/12 - 90 SP/4	65,1	D116	
13	837	1,1	114,23	7,3	14,5	7,3	20				
10	1039	0,9	141,49	5,2	14,5	5,2	20				
16	657	0,9	89,60	8,5	14,5	8,5	20	SK 3382 - 90 SP/4	63,1	D101	
14	763	1,0	104,05	7,9	14,5	7,9	20				
11	933	0,8	126,93	6,5	14,5	6,5	20				
32	331	4,8	45,05	14,6	22	14,6	30	SK 4282 - 90 SP/4	70,1	D102	
19	563	2,8	76,70	14,2	22	14,2	30				
16	665	2,4	90,52	14,0	22	14,0	30				
13	813	2,0	110,78	13,7	22	13,7	30				
9,2	1142	1,1	155,40	12,5	22	12,5	30				
11	936	1,9	127,52	13,3	22	13,3	30	SK 4282/12 - 90 SP/4	80,1	D116	
9,4	1120	1,6	152,47	12,6	22	12,6	30				
8,1	1301	1,4	176,96	11,8	22	11,8	30				
6,1	1723	1,0	234,38	9,0	22	9,0	30				
4,7	2219	0,8	302,24	0	22	0	30				
21	490	2,4	66,65	14,3	22	14,3	30	SK 4382 - 90 SP/4	85,1	D103	
16	637	3,1	86,83	14,1	22	14,1	30				
14	763	2,6	103,82	13,8	22	13,8	30				
12	871	2,3	118,38	13,5	22	13,5	30				
10	1033	1,9	140,60	13,0	22	13,0	30				
8,9	1175	1,4	160,20	12,4	22	12,4	30				
7,5	1407	1,4	191,57	11,2	22	11,2	30				
6,8	1550	1,1	211,09	10,3	22	10,3	30				
4,7	2225	0,9	302,65	0	22	0	30				
18	600	3,0	81,61	22,1	32	22,1	40	SK 5282 - 90 SP/4	106,1	D104	
14	736	3,0	100,19	21,9	32	21,9	40				
11	985	2,7	134,03	21,6	32	21,6	40				
10	1045	2,9	142,18	21,5	32	21,5	40	SK 5282/12 - 90 SP/4	116,1	D116	
8,2	1282	2,3	174,55	21,0	32	21,0	40				
6,1	1709	1,8	232,66	20,0	32	20,0	40				
5,2	2004	1,5	273,15	19,0	32	19,0	40				
4,2	2486	1,2	338,35	16,9	32	16,9	40				
3,2	3292	0,9	448,15	11,2	32	11,2	40				
17	606	4,6	82,72	22,1	32	22,1	40	SK 5382 - 90 SP/4	125,1	D105	
16	672	4,3	91,71	22,0	32	22,0	40				
12	861	3,2	117,37	21,8	32	21,8	40				
10	1019	3,1	138,82	21,5	32	21,5	40				
9,3	1130	2,8	153,92	21,3	32	21,3	40				



1,10 kW



P_1 [kW]	n_2 [r/min]	M_2 [Nm]	f_B	i_{total}	F_R [kN]	F_A	$F_{R VL}$ [kN]	$F_{A VL}$ [kN]	Type	kg	mm D
1,10	8,3	1259	2,2	171,27	21,1	32	21,1	40	SK 5382 - 90 SP/4	125,1	D105
	7,1	1490	2,1	202,57	20,6	32	20,6	40			
	5,8	1827	1,8	248,70	19,6	32	19,6	40			
	5,3	1986	1,4	269,99	19,1	32	19,1	40			
	4,3	2435	1,3	331,48	17,2	32	17,2	40			
	4	2656	1,1	361,69	16,0	32	16,0	40			
	3,3	3144	1,0	427,79	12,6	32	12,6	40			
2,7	3855	0,8	525,20	0	32	0	40				
	11	932	4,9	126,87	30,4	46,5	30,4	60	SK 6382 - 90 SP/4	187,1	D107
	8,9	1176	4,9	159,88	30,1	46,5	30,1	60			
	6,3	1659	2,4	225,79	29,5	46,5	29,5	60			
	5,7	1848	2,4	251,76	29,1	46,5	29,1	60			
	4,5	2333	2,4	317,28	28,1	46,5	28,1	60			
	3,6	2890	2,0	393,19	26,6	46,5	26,6	60			
	3,2	3275	1,3	445,09	25,3	46,5	25,3	60			
	2,6	4056	1,3	551,58	21,7	46,5	21,7	60			
	4,8	2205	2,4	298,46	28,4	46,5	28,4	60	SK 6382/22 - 90 SP/4	206,1	D116
	4,1	2564	2,1	347,33	27,5	46,5	27,5	60			
	3,3	3191	1,7	435,29	25,6	46,5	25,6	60			
	2,5	4189	1,3	569,11	21,0	46,5	21,0	60			
	2,2	4682	1,2	637,53	17,7	46,5	17,7	60			
	1,7	6031	0,9	818,71	0	46,5	0	60			
	9,0	1167	4,1	159,23	30,2	46,5	30,2	60	SK 6382/32 - 90 SP/4	217,1	D116
	7,5	1404	3,4	191,51	29,9	46,5	29,9	60			
	6,4	1642	2,9	223,73	29,5	46,5	29,5	60			
	3,8	2764	2,6	376,26	34,2	58	36,3	80	SK 7382/22 - 90 SP/4	279,1	D116
	3,3	3194	2,2	435,50	33,4	58	35,5	80			
	2,5	4192	1,7	569,97	31,3	58	33,2	80			
	2,0	5217	1,4	714,31	28,1	58	29,9	80			
	1,5	6848	1,0	933,91	20,4	58	21,6	80			
	1,4	7654	0,9	1046,18	13,8	58	14,6	80			
	6,4	1638	4,3	223,20	35,5	58	37,8	80	SK 7382/32 - 90 SP/4	290,1	D116
	4,8	2167	3,3	295,54	35,0	58	37,2	80			
	2,3	4481	2,7	612,94	58,2	73	58,2	100	SK 8382/32 - 90 SP/4	415,1	D116
	2,0	5264	2,3	718,43	57,3	73	57,3	100			
	1,6	6531	1,9	891,21	55,5	73	55,5	100			
	1,3	7800	1,6	1064,91	53,3	73	53,3	100			
	1,0	10012	1,2	1366,83	48,2	73	48,2	100			
	0,8	12434	1,0	1697,85	40,1	73	40,1	100			
	4,1	2548	4,7	346,66	59,7	73	59,7	100	SK 8382/42 - 90 SP/4	430,1	D116
	3,1	3444	3,5	468,52	59,1	73	59,1	100			
	2,6	4042	3,0	551,02	58,6	73	58,6	100			
	2,0	5255	4,6	715,38	78,4	102	78,4	130	SK 9382/42 - 90 SP/4	732,1	D116
	1,6	6506	3,7	886,49	77,5	102	77,5	130			
	1,2	8648	2,8	1178,81	75,6	102	75,6	130			
	1,0	10414	2,3	1419,20	73,6	102	73,6	130			
	0,8	12817	1,9	1747,42	70,1	102	70,1	130			
	0,6	16181	1,5	2203,92	63,6	102	63,6	130			
	0,6	17877	1,3	2435,06	59,4	102	59,4	130			

UNICASE™ Parallel shaft gear units



P_1 [kW]	n_2 [r/min]	M_2 [Nm]	f_B	i_{total}	F_R [kN]	F_A	F_{RVL} [kN]	F_{AVL} [kN]	Type	kg	mm  
1,50	292	49,1	2,4	4,85	2,1	3,8			SK 0182.1 - 90 LP/4	22,5	D86-88
	255	56,1	2,1	5,54	2,1	4,0					
	227	63,1	2,1	6,23	2,2	4,2					
	199	72,1	1,8	7,12	2,2	4,3					
	173	82,8	1,6	8,18	2,3	4,4					
	160	89,8	1,4	8,87	2,3	4,5					
	140	102	1,3	10,13	2,3	4,5					
	124	116	1,1	11,45	2,3	4,6					
	108	132	1,0	13,05	2,4	4,6					
	99	144	0,9	14,25	2,4	4,7					
87	164	0,8	16,24	2,4	4,7						
	296	48,4	3,3	4,79	2,6	4,8			SK 0282.1 - 90 LP/4	24,6	D87-89
	259	55,4	2,9	5,47	2,7	5					
	220	65,0	2,8	6,43	2,7	5					
	207	69,0	2,9	6,82	2,8	5					
	172	83,3	2,4	8,24	2,9	5					
	154	92,7	2,2	9,18	3,0	5					
	141	102	2,0	10,06	3,0	5					
	125	114	1,7	11,30	3,0	5					
	111	129	1,5	12,78	3,1	5					
	99	145	1,4	14,36	3,2	5					
	88	163	1,2	16,12	3,2	5					
	78	185	1,1	18,24	3,2	5					
	75	192	1,0	18,96	3,2	5			SK 0282.1 - 90 LP/4	24,9	D87-89
	66	218	0,9	21,53	3,2	5					
	54	266	0,8	26,32	2,8	5					
	48	299	0,7	29,56	1,7	5					
	296	48,4	2,6	4,79	2,4	4,8	7	7,2	SK 1282 - 90 LP/4	30,7	D97
	259	55,4	3,1	5,47	2,5	5,1	7	7,2			
	220	65	2,8	6,43	2,6	5,4	7	7,2			
	195	73,4	2,5	7,24	2,6	5,5	7	7,2			
	173	82,8	1,9	8,21	2,8	5,7	6,9	7,2			
	172	83,3	2,3	8,24	2,7	5,7	6,9	7,2			
	154	92,7	2,0	9,18	2,8	5,8	6,9	7,2			
	137	105	1,9	10,34	2,9	6,0	6,9	7,2			
	120	119	1,7	11,76	2,9	6,1	6,9	7,2			
	100	143	1,5	14,11	3,0	6,4	6,8	7,2			
	82	174	1,3	17,21	3,1	6,5	6,6	7,2			
	69	209	1,1	20,57	3,1	6,7	6,5	7,2			
	56	256	0,9	25,22	3,1	6,8	6,2	7,2			
	271	52,9	4,8	5,22	3,2	5,2	6,8	7,2	SK 1282.1 - 90 LP/4	30,7	D90-92
	222	64,5	4,4	6,38	3,4	5,8	6,8	7,2			
	189	75,6	4,2	7,47	3,5	6,0	6,8	7,2			
	172	83,5	3,8	8,25	3,6	6,2	6,8	7,2			
	146	97,9	3,7	9,67	3,8	6,4	6,8	7,2			
	130	110	3,6	10,88	3,8	6,6	6,8	7,2			
	116	123	3,2	12,19	3,9	6,7	6,8	7,2			
	103	139	2,9	13,74	4,0	6,9	6,7	7,2			
	85	169	2,4	16,66	4,1	7,1	6,7	7,2			
	72	198	2,0	19,52	4,2	7,2	6,6	7,2			
	68	212	1,9	20,96	4,2	7,2	6,6	7,2			
	58	249	1,6	24,57	4,3	7,2	6,4	7,2			

UNICASE™ Parallel shaft gear units


1,50 kW



P_1 [kW]	n_2 [r/min]	M_2 [Nm]	f_B	i_{total}	F_R [kN]	F_A	$F_{R VL}$ [kN]	$F_{A VL}$ [kN]	Type	kg	mm 				
1,50	271	52,9	4,8	5,22	3,2	5,2	6,8	7,2	SK 1282.1 - 90 LP/4	36,7	D90-92				
	222	64,5	4,4	6,38	3,4	5,8	6,8	7,2							
	189	75,6	4,2	7,47	3,5	6,0	6,8	7,2							
	172	83,5	3,8	8,25	3,6	6,2	6,8	7,2							
	146	97,9	3,7	9,67	3,8	6,4	6,8	7,2							
	130	110	3,6	10,88	3,8	6,6	6,8	7,2							
	116	123	3,2	12,19	3,9	6,7	6,8	7,2							
	103	139	2,9	13,74	4,0	6,9	6,7	7,2							
	85	169	2,4	16,66	4,1	7,1	6,7	7,2							
	72	198	2,0	19,52	4,2	7,2	6,6	7,2							
	68	212	1,9	20,96	4,2	7,2	6,6	7,2							
	58	249	1,6	24,57	4,3	7,2	6,4	7,2							
		50	289	1,4	28,54	4,3	7,2	6,3				7,2	SK 1382.1 - 90 LP/4	31,2	D94-96
		43	334	1,2	32,99	4,3	7,2	6,1				7,2			
	37	391	1,0	38,67	4,3	7,2	5,8	7,2							
	32	447	0,9	44,19	3,7	7,2	5,4	7,2							
	28	520	0,8	51,41	1,2	7,2	4,8	7,2							
	26	550	0,7	54,32	0	7,2	4,5	7,2							
	23	610	0,7	60,26	0	7,2	3,8	7,2							
	314	45,7	4,1	4,51	4,8	9,4	9,1	15	SK 2282 - 90 LP/4	41,7	D98				
	248	57,7	3,7	5,72	5,1	10,3	9,1	15							
	220	65,1	3,5	6,43	5,3	10,6	9,1	15							
	189	75,7	3,2	7,48	5,5	11,1	9,1	15							
	169	84,6	3,0	8,37	5,7	11,5	9,1	15							
	157	91,1	3,7	9,03	5,8	11,8	9,1	15							
	139	103	3,5	10,15	6,0	12	9,1	15							
	120	120	3,2	11,81	6,2	12	9,1	15							
	107	134	3,0	13,23	6,4	12	9,1	15							
	85	168	2,8	16,53	6,8	12	8,9	15							
	76	187	2,6	18,51	7,0	12	8,9	15							
	65	222	2,2	21,90	7,3	12	8,8	15							
	59	243	1,8	23,96	7,5	12	8,7	15							
	57	253	1,9	24,97	7,5	12	8,7	15							
	53	271	1,6	26,83	7,6	12	8,6	15							
	48	300	1,7	29,65	7,8	12	8,5	15							
	45	316	1,4	31,23	7,7	12	8,5	15							
	39	370	1,4	36,54	8,0	12	8,2	15							
	38	376	1,2	37,18	8,1	12	8,1	15							
	32	443	1,3	43,71	7,7	12	7,7	15							
	31	457	1,0	45,11	7,6	12	7,6	15							
	27	524	1,0	51,71	7,1	12	7,1	15							
	26	546	0,9	53,96	6,9	12	6,9	15							
	22	646	0,8	63,83	5,7	12	5,7	15							

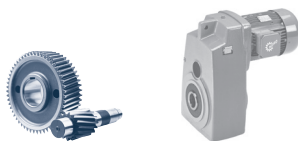
UNICASE™ Parallel shaft gear units



P_1 [kW]	n_2 [r/min]	M_2 [Nm]	f_B	i_{total}	F_R [kN]	F_A	$F_{R VL}$ [kN]	$F_{A VL}$ [kN]	Type	kg	mm 
1,50	85	169	5,0	16,67	7,7	14,5	10,1	20	SK 3282 - 90 LP/4	56,7	D100
	70	204	4,0	20,18	8,1	14,5	10,1	20			
	66	216	3,3	21,38	8,2	14,5	10,1	20			
	63	227	3,5	22,45	8,4	14,5	10,1	20			
	60	240	3,4	23,71	8,4	14,5	10,1	20			
	55	262	3,2	25,88	8,6	14,5	9,9	20			
	49	290	3,0	28,70	8,8	14,5	9,9	20			
	44	323	2,7	31,93	9,1	14,5	9,8	20			
	37	383	2,2	37,77	9,4	14,5	9,7	20			
	37	391	1,6	38,62	9,3	14,5	9,6	20			
	34	426	2,2	42,02	9,5	14,5	9,5	20			
	32	454	1,6	44,85	9,4	14,5	9,4	20			
	29	486	1,1	48,04	9,3	14,5	9,3	20			
	27	536	1,6	52,97	9,1	14,5	9,1	20			
	25	564	1,1	55,79	9,0	14,5	9,1	20			
	22	649	1,6	64,12	8,6	14,5	8,6	20			
21	667	1,1	65,89	8,5	14,5	8,5	20				
18	807	1,1	79,76	7,6	14,5	7,6	20				
16	898	1,1	88,74	6,8	14,5	6,8	20				
16	888	1,0	87,73	6,9	14,5	6,9	20	SK 3282/12 - 90 LP/4	66,7	D116	
44	327	5,0	32,34	14,0	22	14,6	30	SK 4282 - 90 LP/4	71,7	D102	
38	373	3,8	36,81	14,4	22	14,5	30				
35	413	3,8	40,74	14,5	22	14,5	30				
31	456	3,5	45,05	14,4	22	14,4	30				
18	776	2,0	76,70	13,8	22	13,8	30				
16	916	1,7	90,52	13,4	22	13,4	30				
13	1121	1,4	110,78	12,6	22	12,6	30				
9,1	1573	0,8	155,40	10,2	22	10,2	30				
11	1290	1,4	127,52	11,9	22	11,9	30	SK 4282/12 - 90 LP/4	81,7	D116	
9,3	1544	1,2	152,47	10,4	22	10,4	30				
8	1793	1,0	176,96	8,3	22	8,3	30				
21	676	1,8	66,65	14,0	22	14,1	30	SK 4382 - 90 LP/4	86,7	D103	
16	878	2,3	86,83	13,5	22	13,5	30				
14	1051	1,9	103,82	12,9	22	12,9	30				
12	1200	1,7	118,38	12,3	22	12,3	30				
10	1423	1,4	140,60	11,1	22	11,1	30				
8,8	1620	1,0	160,20	9,8	22	9,8	30				
7,4	1939	1,0	191,57	6,7	22	6,7	30				
25	562	4,4	55,55	22,1	32	22,1	40	SK 5282 - 90 LP/4	107,7	D104	
17	827	2,2	81,61	21,8	32	21,8	40				
14	1014	2,2	100,19	21,5	32	21,5	40				
11	1357	2,0	134,03	20,9	32	20,9	40				
9,9	1441	2,1	142,18	20,7	32	20,7	40	SK 5282/12 - 90 LP/4	117,7	D116	
8,1	1766	1,7	174,55	19,8	32	19,8	40				
6,1	2355	1,3	232,66	17,6	32	17,6	40				
5,2	2762	1,1	273,15	15,4	32	15,4	40				
4,2	3426	0,9	338,35	9,7	32	9,7	40				

UNICASE™ Parallel shaft gear units


1,50 kW



UNICASE™ Parallel shaft gear units

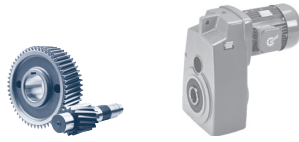
P_1 [kW]	n_2 [r/min]	M_2 [Nm]	f_B	i_{total}	F_R [kN]	F_A	F_{RVL} [kN]	F_{AVL} [kN]	Type	kg	mm
1,50	17	836	3,3	82,72	21,8	32	21,8	40	SK 5382 - 90 LP/4	126,7	D105
	15	926	3,1	91,71	21,7	32	21,7	40			
	12	1187	2,3	117,37	21,2	32	21,2	40			
	10	1405	2,3	138,82	20,8	32	20,8	40			
	9,2	1557	2,1	153,92	20,4	32	20,4	40			
	8,3	1735	1,6	171,27	19,9	32	19,9	40			
	7	2053	1,6	202,57	18,8	32	18,8	40			
	5,7	2517	1,3	248,70	16,8	32	16,8	40			
	5,2	2737	1,0	269,99	15,5	32	15,5	40			
4,3	3356	1,0	331,48	10,5	32	10,5	40				
	11	1284	3,6	126,87	30,0	46,5	30,0	60	SK 6382 - 90 LP/4	188,7	D107
	8,8	1621	3,6	159,88	29,5	46,5	29,5	60			
	6,3	2286	1,8	225,79	28,2	46,5	28,2	60			
	5,6	2547	1,8	251,76	27,6	46,5	27,6	60			
	4,5	3215	1,8	317,28	25,5	46,5	25,5	60			
	3,6	3983	1,5	393,19	22,1	46,5	22,1	60			
	3,2	4513	0,9	445,09	19,0	46,5	19,0	60			
	2,6	5589	0,9	551,58	6,7	46,5	6,7	60			
	4,7	3038	1,8	298,46	26,1	46,5	26,1	60	SK 6382/22 - 90 LP/4	207,7	D116
	4,1	3534	1,5	347,33	24,2	46,5	24,2	60			
	3,3	4398	1,2	435,29	19,7	46,5	19,7	60			
	2,5	5772	0,9	569,11	0	46,5	0	60			
	2,2	6452	0,8	637,53	0	46,5	0	60			
	8,9	1609	3,0	159,23	29,6	46,5	29,6	60	SK 6382/32 - 90 LP/4	218,7	D116
	7,4	1935	2,5	191,51	29,0	46,5	29,0	60			
	6,3	2263	2,1	223,73	28,3	46,5	28,3	60			
	3,8	3809	1,9	376,26	32,2	58	34,2	80	SK 7382/22 - 90 LP/4	280,7	D116
	3,3	4402	1,6	435,50	30,7	58	32,6	80			
	2,5	5777	1,2	569,97	26,0	58	27,6	80			
	2	7190	1,0	714,31	18,0	58	19,1	80			
	6,3	2258	3,1	223,20	34,9	58	37,1	80	SK 7382/32 - 90 LP/4	291,7	D116
	4,8	2987	2,4	295,54	33,8	58	35,9	80			
	2,3	6176	2,0	612,94	56,1	73	56,1	100	SK 8382/32 - 90 LP/4	416,7	D116
	2	7254	1,7	718,43	54,3	73	54,3	100			
	1,6	9000	1,3	891,21	50,8	73	50,8	100			
	1,3	10749	1,1	1064,91	46,1	73	46,1	100			
	1	13797	0,9	1366,83	33,7	73	33,7	100			
	4,8	2991	4,0	294,43	59,4	73	59,4	100	SK 8382/42 - 90 LP/4	431,7	D116
	4,1	3511	3,4	346,66	59,0	73	59,0	100			
	3	4746	2,5	468,52	57,9	73	57,9	100			
	2,6	5571	2,2	551,02	56,9	73	56,9	100			
	2,3	6264	3,8	618,30	77,7	102	77,7	130	SK 9382/42 - 90 LP/4	733,7	D116
	2	7242	3,3	715,38	77,0	102	77,0	130			
	1,6	8966	2,7	886,49	75,3	102	75,3	130			
	1,2	11918	2,0	1178,81	71,6	102	71,6	130			
	1	14351	1,7	1419,20	67,4	102	67,4	130			
	0,8	17663	1,4	1747,42	60,0	102	60,0	130			
	0,6	22299	1,1	2203,92	44,0	102	44,0	130			
	0,6	24636	1,0	2435,06	30,8	102	30,8	130			



P_1 [kW]	n_2 [r/min]	M_2 [Nm]	f_B	i_{total}	F_R [kN]	F_A	$F_{R VL}$ [kN]	$F_{A VL}$ [kN]	Type	kg	mm 
2,20	307	68,5	1,9	4,79	2,2	4,4	7	7,2	SK 1282 - 100 LP/4	42	D97
	268	78,5	2,2	5,47	2,3	4,6	6,9	7,2			
	228	92	2,0	6,43	2,3	4,8	6,9	7,2			
	202	104	1,8	7,24	2,4	5,0	6,9	7,2			
	179	117	1,4	8,21	2,5	5,3	6,9	7,2			
	178	118	1,6	8,24	2,4	5,1	6,9	7,2			
	160	131	1,4	9,18	2,5	5,3	6,8	7,2			
	142	148	1,3	10,34	2,5	5,4	6,8	7,2			
	125	168	1,2	11,76	2,5	5,4	6,7	7,2			
	104	202	1,0	14,11	2,6	5,5	6,5	7,2			
85	247	0,9	17,21	2,5	5,6	6,2	7,2				
	363	57,9	4,4	4,04	2,8	4,4	6,8	7,2	SK 1282.1 - 100 LP/4	42	D90-92
	280	74,9	3,4	5,22	3,0	4,8	6,8	7,2			
	230	91,4	3,1	6,38	3,2	5,3	6,8	7,2			
	196	107	3,0	7,47	3,3	5,6	6,8	7,2			
	178	118	2,7	8,25	3,3	5,7	6,8	7,2			
	151	139	2,6	9,67	3,4	5,9	6,8	7,2			
	135	156	2,6	10,88	3,4	6,0	6,8	7,2			
	120	175	2,3	12,19	3,5	6,1	6,8	7,2			
	107	197	2,0	13,74	3,5	6,2	6,7	7,2			
	88	239	1,7	16,66	3,5	6,3	6,7	7,2			
75	280	1,4	19,52	3,6	6,4	6,6	7,2				
	362	58,1	4,4	4,04	2,8	4,4	6,8	7,2	SK 1282.1 - APAB 100 LP/4	38,5	D90-92
	279	75,2	3,4	5,22	3,0	4,8	6,8	7,2			
	229	91,7	3,1	6,38	3,2	5,3	6,8	7,2			
	195	108	3,0	7,47	3,3	5,6	6,8	7,2			
	177	119	2,7	8,25	3,3	5,7	6,8	7,2			
	151	139	2,6	9,67	3,4	5,9	6,8	7,2			
	134	156	2,6	10,88	3,4	6,0	6,8	7,2			
	120	175	2,3	12,19	3,5	6,1	6,8	7,2			
	106	198	2,0	13,74	3,5	6,2	6,7	7,2			
	88	240	1,7	16,66	3,5	6,3	6,7	7,2			
75	281	1,4	19,52	3,6	6,4	6,6	7,2				
	363	57,9	4,4	4,04	2,8	4,4	6,8	7,2	SK 1282.1 - 100 LP/4	48	D90-92
	280	74,9	3,4	5,22	3,0	4,8	6,8	7,2			
	230	91,4	3,1	6,38	3,2	5,3	6,8	7,2			
	196	107	3,0	7,47	3,3	5,6	6,8	7,2			
	178	118	2,7	8,25	3,3	5,7	6,8	7,2			
	151	139	2,6	9,67	3,4	5,9	6,8	7,2			
	135	156	2,6	10,88	3,4	6,0	6,8	7,2			
	120	175	2,3	12,19	3,5	6,1	6,8	7,2			
	107	197	2,0	13,74	3,5	6,2	6,7	7,2			
	88	239	1,7	16,66	3,5	6,3	6,7	7,2			
75	280	1,4	19,52	3,6	6,4	6,6	7,2				
	362	58,1	4,4	4,04	2,8	4,4	6,8	7,2	SK 1282.1 - APAB 100 LP/4	44,5	D90-92
	279	75,2	3,4	5,22	3,0	4,8	6,8	7,2			
	229	91,7	3,1	6,38	3,2	5,3	6,8	7,2			
	195	108	3,0	7,47	3,3	5,6	6,8	7,2			
	177	119	2,7	8,25	3,3	5,7	6,8	7,2			
	151	139	2,6	9,67	3,4	5,9	6,8	7,2			
	134	156	2,6	10,88	3,4	6,0	6,8	7,2			
	120	175	2,3	12,19	3,5	6,1	6,8	7,2			
	106	198	2,0	13,74	3,5	6,2	6,7	7,2			
	88	240	1,7	16,66	3,5	6,3	6,7	7,2			
75	281	1,4	19,52	3,6	6,4	6,6	7,2				

UNICASE™ Parallel shaft gear units


2,20 kW



UNICASE™ Parallel shaft gear units

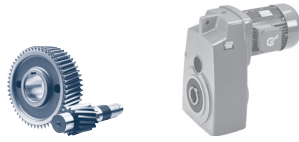
P_1 [kW]	n_2 [r/min]	M_2 [Nm]	f_B	i_{total}	F_R [kN]	F_A	$F_{R VL}$ [kN]	$F_{A VL}$	Type	kg	mm
2,20	51	409	1,0	28,54	3,4	6,3	6,3	7,2	SK 1382.1 - 100 LP/4	42,5	D94-96
	44	473	0,8	32,99	3,1	6,0	6,1	7,2			
	38	554	0,7	38,67	0	5,9	5,8	7,2			
	51	411	1,0	28,54	3,4	6,3	6,3	7,2	SK 1382.1 - APAB 100 LP/4	39	D94-96
	44	475	0,8	32,99	3,0	6,0	6,1	7,2			
	38	556	0,7	38,67	0	5,9	5,8	7,2			
	51	409	1,0	28,54	3,4	6,3	6,3	7,2	SK 1382.1 - 100 LP/4	48,5	D94-96
	44	473	0,8	32,99	3,1	6,0	6,1	7,2			
	38	554	0,7	38,67	0	5,9	5,8	7,2			
	51	411	1,0	28,54	3,4	6,3	6,3	7,2	SK 1382.1 - APAB 100 LP/4	45	D94-96
	44	475	0,8	32,99	3,0	6,0	6,1	7,2			
	38	556	0,7	38,67	0	5,9	5,8	7,2			
	325	64,7	2,9	4,51	4,6	8,9	9,1	15	SK 2282 - 100 LP/4	53	D94-96
	257	81,7	2,6	5,72	4,9	9,9	9,1	15			
	228	92,2	2,5	6,43	5,0	10,2	9,1	15			
	196	107	2,3	7,48	5,2	10,6	9,1	15			
	175	120	2,1	8,37	5,4	10,9	9,0	15			
	163	129	2,6	9,03	5,5	11,2	9,0	15			
	144	146	2,4	10,15	5,7	11,6	9,0	15			
	124	169	2,3	11,81	5,9	12	8,9	15			
	111	189	2,1	13,23	6,0	12	8,9	15			
	88	237	2,0	16,53	6,3	12	8,8	15			
	79	265	1,8	18,51	6,5	12	8,7	15			
	67	314	1,5	21,90	6,7	12	8,5	15			
	61	344	1,3	23,96	6,8	12	8,3	15			
	59	358	1,4	24,97	6,8	12	8,2	15			
	55	384	1,1	26,83	6,9	12	8,1	15			
	49	425	1,2	29,65	6,9	12	7,9	15			
47	447	1,0	31,23	6,8	12	7,7	15				
40	524	1,0	36,54	7,0	12	7,1	15				
33	627	0,9	43,71	6,0	12	6,0	15				
	104	202	4,2	14,11	7,0	13,6	10	20	SK 3282 - 100 LP/4	68	D100
	88	239	3,5	16,67	7,3	14,2	10	20			
	73	289	2,8	20,18	7,6	14,5	9,9	20			
	69	306	2,4	21,38	7,7	14,5	9,9	20			
	65	321	2,5	22,45	7,8	14,5	9,8	20			
	62	340	2,4	23,71	7,8	14,5	9,8	20			
	57	371	2,3	25,88	8,0	14,5	9,7	20			
	51	411	2,1	28,70	8,1	14,5	9,6	20			
	46	457	1,9	31,93	8,3	14,5	9,4	20			
	39	542	1,5	37,77	8,5	14,5	9,1	20			
	38	553	1,1	38,62	8,3	14,5	9,1	20			
	35	603	1,5	42,02	8,6	14,5	8,8	20			
	33	643	1,1	44,85	8,5	14,5	8,6	20			
	28	760	1,1	52,97	7,9	14,5	7,9	20			
23	919	1,1	64,12	6,6	14,5	6,6	20				
	56	376	4,3	26,25	12,6	22	14,5	30	SK 4282 - 100 LP/4	83	D102
	55	379	4,7	26,43	12,6	22	14,5	30			
	45	463	3,5	32,34	13,2	22	14,4	30			
	40	522	2,6	36,40	13,4	22	14,3	30			



P_1 [kW]	n_2 [r/min]	M_2 [Nm]	f_B	i_{total}	F_R [kN]	F_A	$F_{R VL}$ [kN]	$F_{A VL}$ [kN]	Type	kg	mm 
2,20	40	528	2,7	36,81	13,6	22	14,3	30	SK 4282 - 100 LP/4	83	D102
	36	585	2,7	40,74	14,0	22	14,2	30			
	34	626	2,6	43,65	14,0	22	14,1	30			
	33	646	2,5	45,05	14,1	22	14,1	30			
	28	749	2,4	52,20	13,8	22	13,8	30			
	24	884	2,0	61,60	13,5	22	13,5	30			
	19	1081	1,5	75,39	12,8	22	12,8	30			
	19	1100	1,4	76,70	12,7	22	12,7	30			
	16	1298	1,2	90,52	11,8	22	11,8	30			
13	1588	1,0	110,78	10,1	22	10,1	30				
11	1827	1,0	127,52	8,0	22	8,0	30	SK 4282/12 - 100 LP/4	93	D116	
9,6	2187	0,8	152,47	0	22	0	30				
22	957	1,3	66,65	13,2	22	13,2	30	SK 4382 - 100 LP/4	98	D103	
17	1244	1,6	86,83	12,1	22	12,1	30				
14	1489	1,3	103,82	10,7	22	10,7	30				
12	1700	1,2	118,38	9,2	22	9,2	30				
10	2016	1,0	140,60	5,5	22	5,5	30				
44	479	4,8	33,43	19,2	32	22,2	40	SK 5282 - 100 LP/4	119	D104	
36	585	4,3	40,80	20,3	32	22,1	40				
31	678	3,5	47,27	21,1	32	22,0	40				
26	797	3,1	55,55	21,9	32	21,9	40				
26	802	3,2	55,90	21,9	32	21,9	40				
21	984	3,0	68,63	21,6	32	21,6	40				
18	1171	1,6	81,61	21,3	32	21,3	40				
16	1317	2,1	91,81	21,0	32	21,0	40				
15	1436	1,6	100,19	20,7	32	20,7	40				
11	1922	1,4	134,03	19,3	32	19,3	40				
10	2041	1,5	142,18	18,9	32	18,9	40	SK 5282/12 - 100 LP/4	129	D116	
8,4	2502	1,2	174,55	16,8	32	16,8	40				
6,3	3336	0,9	232,66	10,7	32	10,7	40				
18	1184	2,4	82,72	21,2	32	21,2	40	SK 5382 - 100 LP/4	138	D105	
16	1312	2,2	91,71	21,0	32	21,0	40				
12	1682	1,6	117,37	20,1	32	20,1	40				
11	1990	1,6	138,82	19,1	32	19,1	40				
9,5	2206	1,5	153,92	18,2	32	18,2	40				
8,5	2457	1,1	171,27	17,1	32	17,1	40				
7,2	2908	1,1	202,57	14,4	32	14,4	40				
5,9	3566	0,9	248,70	7,8	32	7,8	40				
22	939	3,6	65,44	30,4	46,5	30,4	60	SK 6282 - 100 LP/4	203	D106	
18	1151	3,6	80,33	30,2	46,5	30,2	60				
16	1329	4,5	92,63	30,0	46,5	30,0	60	SK 6382 - 100 LP/4	200	D107	
13	1646	3,6	114,79	29,5	46,5	29,5	60				
12	1819	2,5	126,87	29,2	46,5	29,2	60				
9,1	2296	2,5	159,88	28,2	46,5	28,2	60				
8,5	2458	2,3	171,34	27,8	46,5	27,8	60				
6,9	3044	1,5	212,33	26,1	46,5	26,1	60				
6,5	3239	1,2	225,79	25,4	46,5	25,4	60				
5,8	3608	1,2	251,76	23,9	46,5	23,9	60				
5,5	3842	1,5	267,59	22,8	46,5	22,8	60				
4,6	4555	1,2	317,28	18,7	46,5	18,7	60				
3,7	5642	1,0	393,19	5,3	46,5	5,3	60				

UNICASE™ Parallel shaft gear units


2,20 kW
3,00 kW



P_1 [kW]	n_2 [r/min]	M_2 [Nm]	f_B	i_{total}	F_R [kN]	F_A	$F_{R VL}$ [kN]	$F_{A VL}$	Type	kg	mm
2,20	4,9	4304	1,3	298,46	20,3	46,5	20,3	60	SK 6382/22 - 100 LP/4	219	D116
	4,2	5006	1,1	347,33	15,0	46,5	15,0	60			
	3,4	6230	0,9	435,29	0	46,5	0	60			
	9,2	2279	2,1	159,23	28,3	46,5	28,3	60	SK 6382/32 - 100 LP/4	230	D116
	7,7	2741	1,7	191,51	27,0	46,5	27,0	60			
	6,6	3205	1,5	223,73	25,5	46,5	25,5	60			
	14	1528	4,9	106,59	35,6	58	37,9	80	SK 7382 - 100 LP/4	273	D109
	12	1766	4,3	123,37	35,4	58	37,6	80			
	9,7	2156	3,5	150,57	35,0	58	37,2	80			
	9,0	2325	2,7	162,17	34,8	58	37,0	80			
	7,2	2936	2,6	204,99	33,9	58	36,0	80			
	6,8	3104	2,7	216,43	33,6	58	35,7	80			
	5,4	3919	1,9	273,57	31,9	58	33,9	80			
	4,3	4852	1,6	338,79	29,4	58	31,2	80			
	3,9	5395	1,3	376,26	27,5	58	29,2	80	SK 7382/22 - 100 LP/4	292	D116
	3,4	6235	1,1	435,50	23,8	58	25,3	80			
	2,6	8184	0,9	569,97	5,4	58	5,7	80			
	6,6	3198	2,2	223,20	33,4	58	35,5	80	SK 7382/32 - 100 LP/4	303	D116
	5,0	4231	1,7	295,54	31,2	58	33,1	80			
	7,3	2880	3,8	201,00	59,5	73	59,5	100	SK 8382 - 100 LP/4	398	D111
	4,6	4562	2,8	318,31	58,1	73	58,1	100			
	3,8	5541	2,3	386,68	56,9	73	56,9	100			
	2,4	8749	1,4	612,94	51,4	73	51,4	100	SK 8382/32 - 100 LP/4	428	D116
	2,0	10276	1,2	718,43	47,5	73	47,5	100			
	1,6	12749	0,9	891,21	38,7	73	38,7	100			
	7,9	2675	4,5	185,94	59,6	73	59,6	100	SK 8382/42 - 100 LP/4	443	D116
	6,7	3140	3,9	223,40	59,3	73	59,3	100			
	5	4237	2,9	294,43	58,4	73	58,4	100			
	4,2	4973	2,4	346,66	57,6	73	57,6	100			
	3,1	6723	1,8	468,52	55,2	73	55,2	100			
	2,7	7891	1,5	551,02	53,2	73	53,2	100			
	3,2	6465	3,7	449,57	77,6	102	77,6	130	SK 9382/42 - 100 LP/4	745	D116
	2,4	8874	2,7	618,30	75,4	102	75,4	130			
	2,0	10259	2,3	715,38	73,8	102	73,8	130			
	1,7	12701	1,9	886,49	70,3	102	70,3	130			
	1,2	16884	1,4	1178,81	61,9	102	61,9	130			
	1,0	20330	1,2	1419,20	51,8	102	51,8	130			
	0,8	25021	1,0	1747,42	27,9	102	27,9	130			
3,6	5887	4,1	411,63	78	102	78	130	SK 9382/52 - 100 LP/4	774	D117	
3,00	306	93,8	1,4	4,79	2,0	4,0	6,9	7,2	SK 1282 - 100 AP/4	42	D97
	267	107	1,6	5,47	2,1	4,1	6,9	7,2			
	228	126	1,4	6,43	2,1	4,2	6,8	7,2			
	201	142	1,3	7,24	2,1	4,3	6,8	7,2			
	178	161	1,0	8,21	2,2	4,6	6,7	7,2			
	177	161	1,2	8,24	2,1	4,4	6,7	7,2			
	159	180	1,1	9,18	2,1	4,6	6,6	7,2			
	141	203	1,0	10,34	2,1	4,7	6,5	7,2			
	124	230	0,9	11,76	2,1	4,6	6,4	7,2			

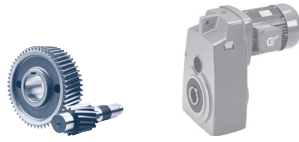
UNICASE™ Parallel shaft gear units



P_1 [kW]	n_2 [r/min]	M_2 [Nm]	f_B	i_{total}	F_R [kN]	F_A	$F_{R VL}$ [kN]	$F_{A VL}$ [kN]	Type	kg	mm 
3,00	362	79,2	3,2	4,04	2,7	4,1	6,8	7,2	SK 1282.1 - 100 AP/4	42	D90-92
	279	103	2,5	5,22	2,8	4,4	6,8	7,2			
	229	125	2,3	6,38	2,9	4,8	6,8	7,2			
	195	147	2,2	7,47	3,0	5,1	6,8	7,2			
	177	162	2,0	8,25	3,0	5,2	6,8	7,2			
	151	190	1,9	9,67	3,1	5,4	6,8	7,2			
	134	213	1,9	10,88	3,0	5,4	6,8	7,2			
	120	239	1,7	12,19	3,0	5,4	6,8	7,2			
	106	270	1,5	13,74	3,0	5,4	6,7	7,2			
	88	327	1,2	16,66	2,9	5,3	6,7	7,2			
	75	383	1,0	19,52	2,8	5,3	6,6	7,2			
	359	79,8	3,2	4,04	2,7	4,1	6,8	7,2	SK 1282.1 - APAB 100 AP/4	41,4	D90-92
	278	103	2,5	5,22	2,8	4,4	6,8	7,2			
	227	126	2,3	6,38	2,9	4,8	6,8	7,2			
	194	148	2,2	7,47	3,0	5,1	6,8	7,2			
	176	163	2,0	8,25	3,0	5,2	6,8	7,2			
	150	191	1,9	9,67	3,1	5,4	6,8	7,2			
	133	215	1,9	10,88	3,0	5,4	6,8	7,2			
	119	241	1,7	12,19	3,0	5,4	6,8	7,2			
	106	271	1,5	13,74	3,0	5,4	6,7	7,2			
	87	329	1,2	16,66	2,9	5,3	6,7	7,2			
	74	386	1,0	19,52	2,8	5,3	6,6	7,2			
	362	79,2	3,2	4,04	2,7	4,1	6,8	7,2	SK 1282.1 - 100 AP/4	48	D90-92
	279	103	2,5	5,22	2,8	4,4	6,8	7,2			
	229	125	2,3	6,38	2,9	4,8	6,8	7,2			
	195	147	2,2	7,47	3,0	5,1	6,8	7,2			
	177	162	2,0	8,25	3,0	5,2	6,8	7,2			
	151	190	1,9	9,67	3,1	5,4	6,8	7,2			
	134	213	1,9	10,88	3,0	5,4	6,8	7,2			
	120	239	1,7	12,19	3,0	5,4	6,8	7,2			
	106	270	1,5	13,74	3,0	5,4	6,7	7,2			
	88	327	1,2	16,66	2,9	5,3	6,7	7,2			
	75	383	1,0	19,52	2,8	5,3	6,6	7,2			
	359	79,8	3,2	4,04	2,7	4,1	6,8	7,2	SK 1282.1 - APAB 100 AP/4	47,4	D90-92
	278	103	2,5	5,22	2,8	4,4	6,8	7,2			
	227	126	2,3	6,38	2,9	4,8	6,8	7,2			
	194	148	2,2	7,47	3,0	5,1	6,8	7,2			
	176	163	2,0	8,25	3,0	5,2	6,8	7,2			
	150	191	1,9	9,67	3,1	5,4	6,8	7,2			
	133	215	1,9	10,88	3,0	5,4	6,8	7,2			
	119	241	1,7	12,19	3,0	5,4	6,8	7,2			
	106	271	1,5	13,74	3,0	5,4	6,7	7,2			
	87	329	1,2	16,66	2,9	5,3	6,7	7,2			
	74	386	1,0	19,52	2,8	5,3	6,6	7,2			
	324	88,5	2,1	4,51	4,4	8,6	9,1	15	SK 2282 - 100 AP/4	53	D98
	256	112	1,9	5,72	4,7	9,5	9,1	15			
	227	126	1,8	6,43	4,8	9,8	9	15			
	195	147	1,7	7,48	5,0	10,2	9	15			
	175	164	1,6	8,37	5,1	10,4	9	15			
	162	177	1,9	9,03	5,2	10,7	8,9	15			
	144	199	1,8	10,15	5,4	11,0	8,9	15			
124	232	1,7	11,81	5,5	11,4	8,8	15				

UNICASE™ Parallel shaft gear units


3,00 kW



P_1 [kW]	n_2 [r/min]	M_2 [Nm]	f_B	i_{total}	F_R [kN]	F_A	$F_{R VL}$ [kN]	$F_{A VL}$	Type	kg	mm
3,00	111	259	1,6	13,23	5,6	11,6	8,7	15	SK 2282 - 100 AP/4	53	D98
	88	325	1,4	16,53	5,8	12	8,4	15			
	79	363	1,3	18,51	5,9	12	8,2	15			
	67	430	1,1	21,90	6,0	12	7,8	15			
	61	471	0,9	23,96	6,1	12	7,5	15			
	58	490	1,0	24,97	6,1	12	7,4	15			
	54	526	0,8	26,83	6,1	12	7,1	15			
	49	582	0,9	29,65	6,1	12	6,5	15			
255	113	4,9	5,74	5,3	9,7	10,1	17,8	SK 3282 - 100 AP/4	68	D100	
216	133	4,6	6,70	5,6	10,3	10,1	18,6				
174	165	4,1	8,31	5,8	11,3	10,1	19,7				
149	192	4,4	9,80	6,1	11,9	10,0	20				
129	223	3,7	11,38	6,3	12,4	10,0	20				
104	276	3,1	14,11	6,6	13	9,9	20				
88	327	2,6	16,67	6,8	13,5	9,8	20				
72	395	2,1	20,18	7,1	14,1	9,6	20				
68	419	1,7	21,38	7,1	14,1	9,6	20				
65	440	1,8	22,45	7,2	14,3	9,5	20				
62	465	1,7	23,71	7,2	14,4	9,4	20				
56	507	1,7	25,88	7,3	14,5	9,2	20				
51	562	1,5	28,70	7,4	14,5	9,0	20				
46	626	1,4	31,93	7,5	14,5	8,7	20				
39	741	1,1	37,77	7,5	14,5	8,0	20				
35	825	1,1	42,02	7,4	14,5	7,4	20				
68	421	4,0	21,45	11,5	22	14,4	30	SK 4282 - 100 AP/4	83	D102	
65	439	3,9	22,39	11,5	22	14,4	30				
56	515	3,1	26,25	12,0	22	14,3	30				
55	518	3,4	26,43	12,0	22	14,3	30				
45	634	2,6	32,34	12,6	22	14,1	30				
40	714	1,9	36,40	12,6	22	13,9	30				
40	723	1,9	36,81	12,8	22	13,9	30				
36	800	1,9	40,74	13,1	22	13,7	30				
33	856	1,9	43,65	13,1	22	13,5	30				
32	884	1,8	45,05	13,3	22	13,5	30				
28	1025	1,8	52,20	13,0	22	13,0	30				
24	1210	1,5	61,60	12,2	22	12,2	30				
19	1480	1,1	75,39	10,8	22	10,8	30				
19	1505	1,1	76,70	10,6	22	10,6	30				
16	1776	0,9	90,52	8,5	22	8,5	30				
22	1310	0,9	66,65	11,8	22	11,8	30				SK 4382 - 100 AP/4
17	1703	1,2	86,83	9,2	22	9,2	30				
14	2038	1,0	103,82	5,2	22	5,2	30				
12	2326	0,9	118,38	0	22	0	30				
48	598	4,9	30,50	18,3	32	22,1	40	SK 5282 - 100 AP/4	119	D104	
44	656	3,5	33,43	18,7	32	22,0	40				
36	800	3,1	40,80	19,6	32	21,9	40				
31	928	2,6	47,27	20,2	32	21,7	40				
26	1090	2,3	55,55	21,0	32	21,4	40				
26	1098	2,4	55,90	21,1	32	21,4	40				
21	1346	2,2	68,63	20,9	32	20,9	40				
18	1603	1,1	81,61	20,3	32	20,3	40				
16	1802	1,5	91,81	19,7	32	19,7	40				
15	1965	1,1	100,19	19,1	32	19,1	40				
11	2630	1,0	134,03	16,1	32	16,1	40				

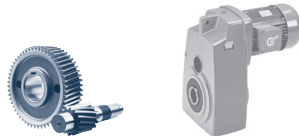
UNICASE™ Parallel shaft gear units



P_1 [kW]	n_2 [r/min]	M_2 [Nm]	f_B	i_{total}	F_R [kN]	F_A	$F_{R VL}$ [kN]	$F_{A VL}$ [kN]	Type	kg	mm 																																																																																																																																																																																																																																																																																																																																																																																																																																												
3,00	10	2792	1,1	142,18	15,2	32	15,2	40	SK 5282/12 - 100 AP/4	129	D116																																																																																																																																																																																																																																																																																																																																																																																																																																												
	8,4	3424	0,9	174,55	9,7	32	9,7	40					18	1620	1,7	82,72	20,2	32	20,2	40	SK 5382 - 100 AP/4	138	D105		16	1796	1,6	91,71	19,7	32	19,7	40		12	2301	1,2	117,37	17,8	32	17,8	40		11	2723	1,2	138,82	15,6	32	15,6	40		9,5	3019	1,1	153,92	13,6	32	13,6	40		8,5	3362	0,8	171,27	10,4	32	10,4	40		7,2	3979	0,8	202,57	0	32	0	40		22	1284	2,6	65,44	30,0	46,5	30	60	SK 6282 - 100 AP/4	203	D106		18	1575	2,6	80,33	29,6	46,5	29,6	60		24	1171	4,7	59,66	30,1	46,5	30,1	60	SK 6382 - 100 AP/4	200	D107		20	1441	3,9	73,50	29,8	46,5	29,8	60		19	1478	4,1	75,18	29,8	46,5	29,8	60		16	1819	3,3	92,63	29,2	46,5	29,2	60		13	2252	2,6	114,79	28,3	46,5	28,3	60		12	2489	1,8	126,87	27,7	46,5	27,7	60		9,1	3142	1,8	159,88	25,7	46,5	25,7	60		8,5	3363	1,7	171,34	24,9	46,5	24,9	60		6,9	4165	1,1	212,33	21,1	46,5	21,1	60		6,5	4431	0,9	225,79	19,5	46,5	19,5	60		5,8	4938	0,9	251,76	15,6	46,5	15,6	60		5,4	5257	1,1	267,59	12,2	46,5	12,2	60		4,6	6233	0,9	317,28	0	46,5	0	60		4,9	5889	0,9	298,46	0	46,5	0	60	SK 6382/22 - 100 AP/4	219	D116		9,2	3118	1,5	159,23	25,8	46,5	25,8	60	SK 6382/32 - 100 AP/4	230	D116		7,6	3750	1,3	191,51	23,3	46,5	23,3	60		6,5	4386	1,1	223,73	19,8	46,5	19,8	60		19	1545	4,8	78,81	35,6	58	37,8	80	SK 7382 - 100 AP/4	273	D109		16	1826	4,1	93,18	35,4	58	37,6	80		14	2090	3,6	106,59	35,1	58	37,3	80		12	2416	3,1	123,37	34,7	58	36,8	80		9,7	2949	2,6	150,57	33,9	58	36,0	80		9	3181	2,0	162,17	33,5	58	35,6	80		7,1	4017	1,9	204,99	31,7	58	33,7	80		6,7	4247	2,0	216,43	31,1	58	33,1	80		5,3	5363	1,4	273,57	27,6	58	29,3	80		4,3	6640	1,1	338,79	21,6	58	23,0	80		3,9	7382	1,0	376,26	16,4	58	17,4	80	SK 7382/22 - 100 AP/4	292	D116		3,4	8532	0,8	435,50	0	58	0	80		6,5	4376	1,6	223,20	30,8	58	32,7	80	SK 7382/32 - 100 AP/4	303	D116		4,9	5790	1,2	295,54	25,9	58	27,5	80		12	2458	5,0	125,38	54,6	73	59,7	100	SK 8382 - 100 AP/4	398	D111		10	2824	4,4	143,91	56,5	73	59,5	100		7,3	3941	2,7	201,00	58,7	73	58,7	100		4,6	6242	2,1	318,31	56,0	73	56,0	100		3,8	7582	1,7	386,68
	18	1620	1,7	82,72	20,2	32	20,2	40	SK 5382 - 100 AP/4	138	D105																																																																																																																																																																																																																																																																																																																																																																																																																																												
	16	1796	1,6	91,71	19,7	32	19,7	40																																																																																																																																																																																																																																																																																																																																																																																																																																															
	12	2301	1,2	117,37	17,8	32	17,8	40																																																																																																																																																																																																																																																																																																																																																																																																																																															
	11	2723	1,2	138,82	15,6	32	15,6	40																																																																																																																																																																																																																																																																																																																																																																																																																																															
	9,5	3019	1,1	153,92	13,6	32	13,6	40																																																																																																																																																																																																																																																																																																																																																																																																																																															
	8,5	3362	0,8	171,27	10,4	32	10,4	40																																																																																																																																																																																																																																																																																																																																																																																																																																															
	7,2	3979	0,8	202,57	0	32	0	40					22	1284	2,6	65,44	30,0	46,5	30	60	SK 6282 - 100 AP/4	203	D106		18	1575	2,6	80,33	29,6	46,5	29,6	60		24	1171	4,7	59,66	30,1	46,5	30,1	60	SK 6382 - 100 AP/4	200	D107		20	1441	3,9	73,50	29,8	46,5	29,8	60		19	1478	4,1	75,18	29,8	46,5	29,8	60		16	1819	3,3	92,63	29,2	46,5	29,2	60		13	2252	2,6	114,79	28,3	46,5	28,3	60		12	2489	1,8	126,87	27,7	46,5	27,7	60		9,1	3142	1,8	159,88	25,7	46,5	25,7	60		8,5	3363	1,7	171,34	24,9	46,5	24,9	60					6,9	4165	1,1	212,33	21,1	46,5	21,1	60		6,5	4431	0,9	225,79	19,5	46,5	19,5	60		5,8	4938	0,9	251,76	15,6	46,5	15,6	60		5,4	5257	1,1	267,59	12,2	46,5	12,2	60		4,6	6233	0,9	317,28	0	46,5	0	60		4,9	5889	0,9	298,46	0	46,5	0	60	SK 6382/22 - 100 AP/4	219	D116		9,2	3118	1,5	159,23	25,8	46,5	25,8	60	SK 6382/32 - 100 AP/4	230	D116		7,6	3750	1,3	191,51	23,3	46,5	23,3	60		6,5	4386	1,1	223,73	19,8	46,5	19,8	60		19	1545	4,8	78,81	35,6	58	37,8	80	SK 7382 - 100 AP/4	273	D109		16	1826	4,1	93,18	35,4	58	37,6	80		14	2090	3,6	106,59	35,1	58	37,3	80		12	2416	3,1	123,37	34,7	58	36,8	80		9,7	2949	2,6	150,57	33,9	58	36,0	80		9	3181	2,0	162,17	33,5	58	35,6	80		7,1	4017	1,9	204,99	31,7	58	33,7	80		6,7	4247	2,0	216,43	31,1				58	33,1	80		5,3	5363	1,4	273,57	27,6	58	29,3	80		4,3	6640	1,1	338,79	21,6	58	23,0	80		3,9	7382	1,0	376,26	16,4	58	17,4	80	SK 7382/22 - 100 AP/4	292	D116		3,4	8532	0,8	435,50	0	58	0	80		6,5	4376	1,6	223,20	30,8	58	32,7	80	SK 7382/32 - 100 AP/4	303	D116		4,9	5790	1,2	295,54	25,9	58	27,5	80		12	2458	5,0	125,38	54,6	73	59,7	100	SK 8382 - 100 AP/4	398	D111		10	2824	4,4	143,91	56,5	73	59,5	100		7,3	3941	2,7	201,00	58,7	73	58,7	100		4,6	6242	2,1	318,31	56,0	73	56,0	100		3,8	7582	1,7	386,68	53,7	73	53,7	100																																																								
	22	1284	2,6	65,44	30,0	46,5	30	60	SK 6282 - 100 AP/4	203	D106																																																																																																																																																																																																																																																																																																																																																																																																																																												
	18	1575	2,6	80,33	29,6	46,5	29,6	60					24	1171	4,7	59,66	30,1	46,5	30,1	60	SK 6382 - 100 AP/4	200	D107		20	1441	3,9	73,50	29,8	46,5	29,8	60		19	1478	4,1	75,18	29,8	46,5	29,8	60					16	1819	3,3	92,63	29,2	46,5	29,2	60		13	2252	2,6	114,79	28,3	46,5	28,3	60		12	2489	1,8	126,87	27,7	46,5	27,7	60		9,1	3142	1,8	159,88	25,7	46,5	25,7	60		8,5	3363	1,7	171,34	24,9	46,5	24,9	60		6,9	4165	1,1	212,33	21,1	46,5	21,1	60		6,5	4431	0,9	225,79	19,5	46,5	19,5	60					5,8	4938	0,9	251,76	15,6	46,5	15,6	60		5,4	5257	1,1	267,59	12,2	46,5	12,2	60		4,6	6233	0,9	317,28	0	46,5	0	60		4,9	5889	0,9	298,46	0	46,5	0	60	SK 6382/22 - 100 AP/4	219	D116		9,2	3118	1,5	159,23	25,8	46,5	25,8	60	SK 6382/32 - 100 AP/4	230	D116		7,6	3750	1,3	191,51	23,3	46,5	23,3	60		6,5	4386	1,1	223,73	19,8				46,5	19,8	60		19	1545	4,8	78,81	35,6	58	37,8	80	SK 7382 - 100 AP/4	273	D109		16	1826	4,1	93,18	35,4	58	37,6	80		14	2090				3,6	106,59	35,1	58	37,3	80		12	2416	3,1	123,37	34,7	58	36,8	80		9,7	2949	2,6	150,57	33,9	58	36,0	80		9	3181	2,0	162,17	33,5	58	35,6	80		7,1	4017	1,9	204,99	31,7	58	33,7	80		6,7	4247	2,0	216,43	31,1	58	33,1	80		5,3	5363	1,4	273,57	27,6	58	29,3	80					4,3	6640	1,1	338,79	21,6	58	23,0	80		3,9	7382	1,0	376,26	16,4	58	17,4	80	SK 7382/22 - 100 AP/4	292	D116		3,4	8532	0,8	435,50	0	58	0	80		6,5	4376	1,6	223,20	30,8	58	32,7	80	SK 7382/32 - 100 AP/4	303	D116		4,9	5790	1,2	295,54	25,9	58	27,5	80		12	2458	5,0	125,38	54,6	73	59,7	100	SK 8382 - 100 AP/4	398	D111		10	2824	4,4	143,91	56,5	73	59,5	100					7,3	3941	2,7	201,00	58,7	73	58,7	100		4,6	6242	2,1	318,31	56,0	73	56,0	100		3,8	7582	1,7	386,68	53,7	73	53,7	100																																																																	
	24	1171	4,7	59,66	30,1	46,5	30,1	60	SK 6382 - 100 AP/4	200	D107																																																																																																																																																																																																																																																																																																																																																																																																																																												
	20	1441	3,9	73,50	29,8	46,5	29,8	60																																																																																																																																																																																																																																																																																																																																																																																																																																															
	19	1478	4,1	75,18	29,8	46,5	29,8	60																																																																																																																																																																																																																																																																																																																																																																																																																																															
	16	1819	3,3	92,63	29,2	46,5	29,2	60																																																																																																																																																																																																																																																																																																																																																																																																																																															
	13	2252	2,6	114,79	28,3	46,5	28,3	60																																																																																																																																																																																																																																																																																																																																																																																																																																															
	12	2489	1,8	126,87	27,7	46,5	27,7	60																																																																																																																																																																																																																																																																																																																																																																																																																																															
	9,1	3142	1,8	159,88	25,7	46,5	25,7	60																																																																																																																																																																																																																																																																																																																																																																																																																																															
	8,5	3363	1,7	171,34	24,9	46,5	24,9	60																																																																																																																																																																																																																																																																																																																																																																																																																																															
	6,9	4165	1,1	212,33	21,1	46,5	21,1	60																																																																																																																																																																																																																																																																																																																																																																																																																																															
	6,5	4431	0,9	225,79	19,5	46,5	19,5	60																																																																																																																																																																																																																																																																																																																																																																																																																																															
	5,8	4938	0,9	251,76	15,6	46,5	15,6	60																																																																																																																																																																																																																																																																																																																																																																																																																																															
	5,4	5257	1,1	267,59	12,2	46,5	12,2	60																																																																																																																																																																																																																																																																																																																																																																																																																																															
	4,6	6233	0,9	317,28	0	46,5	0	60		4,9	5889	0,9	298,46	0	46,5	0	60	SK 6382/22 - 100 AP/4	219	D116		9,2	3118	1,5	159,23	25,8	46,5	25,8	60	SK 6382/32 - 100 AP/4	230	D116		7,6	3750	1,3	191,51	23,3	46,5	23,3	60		6,5	4386	1,1	223,73	19,8	46,5	19,8	60		19	1545	4,8	78,81	35,6	58	37,8	80	SK 7382 - 100 AP/4	273	D109		16	1826	4,1	93,18	35,4	58	37,6	80		14	2090	3,6	106,59	35,1	58	37,3	80		12	2416	3,1	123,37	34,7	58	36,8	80		9,7	2949	2,6	150,57	33,9	58	36,0	80		9	3181	2,0	162,17	33,5	58	35,6	80		7,1	4017	1,9	204,99	31,7	58	33,7	80		6,7	4247	2,0	216,43	31,1	58	33,1	80		5,3	5363	1,4	273,57	27,6	58	29,3	80		4,3	6640	1,1	338,79	21,6	58	23,0	80		3,9	7382	1,0	376,26	16,4	58	17,4	80	SK 7382/22 - 100 AP/4	292	D116		3,4	8532	0,8	435,50	0	58	0	80		6,5	4376	1,6	223,20	30,8	58	32,7	80	SK 7382/32 - 100 AP/4	303	D116		4,9	5790	1,2	295,54	25,9	58	27,5	80		12	2458	5,0	125,38	54,6	73	59,7	100	SK 8382 - 100 AP/4	398	D111		10	2824	4,4	143,91	56,5	73	59,5	100		7,3	3941	2,7	201,00	58,7	73	58,7	100		4,6	6242	2,1	318,31	56,0	73	56,0	100		3,8	7582	1,7	386,68	53,7	73	53,7	100																																																																																																																																																																																																														
	4,9	5889	0,9	298,46	0	46,5	0	60	SK 6382/22 - 100 AP/4	219	D116																																																																																																																																																																																																																																																																																																																																																																																																																																												
	9,2	3118	1,5	159,23	25,8	46,5	25,8	60	SK 6382/32 - 100 AP/4	230	D116																																																																																																																																																																																																																																																																																																																																																																																																																																												
	7,6	3750	1,3	191,51	23,3	46,5	23,3	60																																																																																																																																																																																																																																																																																																																																																																																																																																															
	6,5	4386	1,1	223,73	19,8	46,5	19,8	60																																																																																																																																																																																																																																																																																																																																																																																																																																															
	19	1545	4,8	78,81	35,6	58	37,8	80	SK 7382 - 100 AP/4	273	D109																																																																																																																																																																																																																																																																																																																																																																																																																																												
	16	1826	4,1	93,18	35,4	58	37,6	80																																																																																																																																																																																																																																																																																																																																																																																																																																															
	14	2090	3,6	106,59	35,1	58	37,3	80																																																																																																																																																																																																																																																																																																																																																																																																																																															
	12	2416	3,1	123,37	34,7	58	36,8	80																																																																																																																																																																																																																																																																																																																																																																																																																																															
	9,7	2949	2,6	150,57	33,9	58	36,0	80																																																																																																																																																																																																																																																																																																																																																																																																																																															
	9	3181	2,0	162,17	33,5	58	35,6	80																																																																																																																																																																																																																																																																																																																																																																																																																																															
	7,1	4017	1,9	204,99	31,7	58	33,7	80																																																																																																																																																																																																																																																																																																																																																																																																																																															
	6,7	4247	2,0	216,43	31,1	58	33,1	80																																																																																																																																																																																																																																																																																																																																																																																																																																															
	5,3	5363	1,4	273,57	27,6	58	29,3	80																																																																																																																																																																																																																																																																																																																																																																																																																																															
	4,3	6640	1,1	338,79	21,6	58	23,0	80																																																																																																																																																																																																																																																																																																																																																																																																																																															
	3,9	7382	1,0	376,26	16,4	58	17,4	80				SK 7382/22 - 100 AP/4	292	D116																																																																																																																																																																																																																																																																																																																																																																																																																																									
	3,4	8532	0,8	435,50	0	58	0	80																																																																																																																																																																																																																																																																																																																																																																																																																																															
	6,5	4376	1,6	223,20	30,8	58	32,7	80	SK 7382/32 - 100 AP/4	303	D116																																																																																																																																																																																																																																																																																																																																																																																																																																												
	4,9	5790	1,2	295,54	25,9	58	27,5	80																																																																																																																																																																																																																																																																																																																																																																																																																																															
	12	2458	5,0	125,38	54,6	73	59,7	100	SK 8382 - 100 AP/4	398	D111																																																																																																																																																																																																																																																																																																																																																																																																																																												
	10	2824	4,4	143,91	56,5	73	59,5	100																																																																																																																																																																																																																																																																																																																																																																																																																																															
	7,3	3941	2,7	201,00	58,7	73	58,7	100																																																																																																																																																																																																																																																																																																																																																																																																																																															
	4,6	6242	2,1	318,31	56,0	73	56,0	100																																																																																																																																																																																																																																																																																																																																																																																																																																															
	3,8	7582	1,7	386,68	53,7	73	53,7	100																																																																																																																																																																																																																																																																																																																																																																																																																																															

UNICASE™ Parallel shaft gear units



3,00 kW
4,00 kW



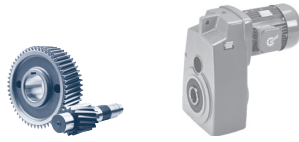
P_1 [kW]	n_2 [r/min]	M_2 [Nm]	f_B	i_{total}	F_R [kN]	F_A	$F_{R VL}$ [kN]	$F_{A VL}$ [kN]	Type	kg	mm 																																																																																																																																																																																																																																																																																																																
3,00	2,4	11971	1,0	612,94	41,9	73	41,9	100	SK 8382/32 - 100 AP/4	428	D116																																																																																																																																																																																																																																																																																																																
	2	14060	0,9	718,43	32,2	73	32,2	100				7,8	3660	3,3	185,94	58,9	73	58,9	100	SK 8382/42 - 100 AP/4	443	D116	6,7	4296	2,8	223,40	58,3	73	58,3	100	4,9	5798	2,1	294,43	56,6	73	56,6	100	4,2	6805	1,8	346,66	55,1	73	55,1	100	3,1	9199	1,3	468,52	50,3	73	50,3	100	2,7	10798	1,1	551,02	45,9	73	45,9	100	3,2	8847	2,7	449,57	75,4	102	75,4	130	SK 9382/42 - 100 AP/4	745	D116	2,4	12143	2,0	618,30	71,2	102	71,2	130	2	14037	1,7	715,38	68,0	102	68,0	130	1,6	17379	1,4	886,49	60,7	102	60,7	130	1,2	23102	1,0	1178,81	40,1	102	40,1	130	1	27817	0,9	1419,20	0	102	0	130	5	5772	4,2	294,54	75,1	102	78,1	130	SK 9382/52 - 100 AP/4	774	D117	3,6	8055	3,0	411,63	76,2	102	76,2	130	4,00	301	127	1,0	4,79	1,8	3,5	6,8	7,2	SK 1282 - 112 MP/4	49,5	D97	263	145	1,2	5,47	1,8	3,5	6,8	7,2	224	170	1,1	6,43	1,8	3,5	6,7	7,2	199	192	1,0	7,24	1,7	3,5	6,6	7,2	175	218	0,9	8,24	1,7	3,5	6,4	7,2	357	107	2,4	4,04	2,5	3,8	6,8	7,2	SK 1282.1 - 112 MP/4	49,5	D90-92	276	139	1,8	5,22	2,5	4,0	6,8	7,2	226	169	1,7	6,38	2,6	4,3	6,8	7,2	193	198	1,6	7,47	2,6	4,4	6,8	7,2	175	219	1,5	8,25	2,6	4,4	6,8	7,2	149	257	1,4	9,67	2,6	4,5	6,8	7,2	132	288	1,4	10,88	2,5	4,5	6,8	7,2	118	323	1,2	12,19	2,4	4,4	6,8	7,2	105	364	1,1	13,74	2,3	4,3	6,7	7,2	86	442	0,9	16,66	2,1	4,1	6,7	7,2	74	518	0,8	19,52	1,4	3,9	6,6	7,2	319	120	1,6	4,51	4,2	8,2	9	15	SK 2282 - 112 MP/4	60,5	D98	253	151	1,4	5,72	4,5	9,0	9	15	224	171	1,3	6,43	4,5	9,4	8,9	15	193	198	1,2	7,48	4,7	9,6	8,9	15	172	222	1,2	8,37	4,7	9,8	8,8	15	160	239	1,4	9,03	4,9
	7,8	3660	3,3	185,94	58,9	73	58,9	100	SK 8382/42 - 100 AP/4	443	D116																																																																																																																																																																																																																																																																																																																
	6,7	4296	2,8	223,40	58,3	73	58,3	100																																																																																																																																																																																																																																																																																																																			
	4,9	5798	2,1	294,43	56,6	73	56,6	100																																																																																																																																																																																																																																																																																																																			
	4,2	6805	1,8	346,66	55,1	73	55,1	100																																																																																																																																																																																																																																																																																																																			
	3,1	9199	1,3	468,52	50,3	73	50,3	100																																																																																																																																																																																																																																																																																																																			
	2,7	10798	1,1	551,02	45,9	73	45,9	100				3,2	8847	2,7	449,57	75,4	102	75,4	130	SK 9382/42 - 100 AP/4	745	D116	2,4	12143	2,0	618,30	71,2	102	71,2	130	2	14037	1,7	715,38	68,0	102	68,0	130	1,6	17379	1,4	886,49	60,7	102	60,7	130	1,2	23102	1,0	1178,81	40,1	102	40,1	130	1	27817	0,9	1419,20	0	102	0	130	5	5772	4,2	294,54	75,1	102	78,1	130	SK 9382/52 - 100 AP/4	774	D117	3,6	8055	3,0	411,63	76,2	102	76,2	130	4,00	301	127	1,0	4,79	1,8	3,5	6,8	7,2	SK 1282 - 112 MP/4	49,5	D97	263	145	1,2	5,47	1,8	3,5	6,8	7,2	224	170	1,1	6,43	1,8	3,5	6,7	7,2	199	192	1,0	7,24	1,7	3,5	6,6	7,2	175	218	0,9	8,24	1,7	3,5	6,4	7,2	357	107	2,4	4,04	2,5	3,8	6,8		7,2	SK 1282.1 - 112 MP/4	49,5	D90-92	276	139	1,8	5,22	2,5	4,0	6,8	7,2	226	169	1,7	6,38	2,6	4,3	6,8	7,2	193	198	1,6	7,47	2,6	4,4	6,8	7,2	175	219	1,5	8,25	2,6	4,4	6,8	7,2	149	257	1,4	9,67	2,6	4,5	6,8	7,2	132	288	1,4	10,88	2,5	4,5	6,8				7,2	118	323	1,2	12,19	2,4	4,4	6,8	7,2	105	364	1,1	13,74	2,3	4,3	6,7	7,2	86	442	0,9	16,66	2,1	4,1	6,7	7,2	74	518	0,8	19,52	1,4	3,9	6,6	7,2	319	120	1,6	4,51	4,2	8,2	9	15	SK 2282 - 112 MP/4	60,5	D98	253	151	1,4	5,72	4,5	9,0	9	15	224	171	1,3	6,43	4,5	9,4	8,9	15	193	198	1,2	7,48	4,7	9,6	8,9	15	172	222	1,2	8,37	4,7	9,8	8,8	15	160	239	1,4	9,03	4,9	10,2	8,8	15																																												
	3,2	8847	2,7	449,57	75,4	102	75,4	130	SK 9382/42 - 100 AP/4	745	D116																																																																																																																																																																																																																																																																																																																
	2,4	12143	2,0	618,30	71,2	102	71,2	130																																																																																																																																																																																																																																																																																																																			
	2	14037	1,7	715,38	68,0	102	68,0	130																																																																																																																																																																																																																																																																																																																			
	1,6	17379	1,4	886,49	60,7	102	60,7	130																																																																																																																																																																																																																																																																																																																			
	1,2	23102	1,0	1178,81	40,1	102	40,1	130																																																																																																																																																																																																																																																																																																																			
	1	27817	0,9	1419,20	0	102	0	130				5	5772	4,2	294,54	75,1	102	78,1	130	SK 9382/52 - 100 AP/4	774	D117	3,6	8055	3,0	411,63	76,2	102	76,2	130	4,00	301	127	1,0	4,79	1,8	3,5	6,8	7,2	SK 1282 - 112 MP/4	49,5	D97	263	145	1,2	5,47	1,8	3,5	6,8	7,2	224	170	1,1	6,43	1,8	3,5	6,7	7,2	199	192	1,0	7,24	1,7	3,5	6,6	7,2	175	218	0,9	8,24	1,7	3,5	6,4	7,2	357	107	2,4	4,04	2,5	3,8	6,8		7,2	SK 1282.1 - 112 MP/4	49,5	D90-92	276	139	1,8	5,22	2,5	4,0	6,8	7,2	226	169	1,7	6,38	2,6	4,3	6,8	7,2	193	198	1,6	7,47	2,6	4,4	6,8	7,2	175	219	1,5	8,25	2,6	4,4	6,8	7,2	149	257	1,4	9,67	2,6	4,5	6,8	7,2	132	288	1,4	10,88	2,5	4,5		6,8				7,2	118	323	1,2	12,19	2,4	4,4	6,8	7,2	105	364	1,1	13,74	2,3	4,3	6,7	7,2	86	442	0,9	16,66	2,1	4,1	6,7	7,2	74	518	0,8	19,52	1,4	3,9	6,6	7,2	319	120	1,6	4,51	4,2	8,2	9	15	SK 2282 - 112 MP/4	60,5	D98	253	151	1,4	5,72	4,5	9,0	9	15	224	171	1,3	6,43	4,5	9,4	8,9	15	193	198	1,2	7,48	4,7	9,6	8,9	15	172	222	1,2	8,37	4,7	9,8	8,8	15	160	239	1,4	9,03	4,9	10,2	8,8	15																																																																																														
	5	5772	4,2	294,54	75,1	102	78,1	130	SK 9382/52 - 100 AP/4	774	D117																																																																																																																																																																																																																																																																																																																
	3,6	8055	3,0	411,63	76,2	102	76,2	130				4,00	301	127	1,0	4,79	1,8	3,5	6,8	7,2	SK 1282 - 112 MP/4	49,5	D97	263	145	1,2	5,47	1,8	3,5	6,8		7,2	224	170	1,1	6,43	1,8	3,5	6,7				7,2	199	192	1,0	7,24	1,7	3,5	6,6	7,2	175	218	0,9	8,24	1,7	3,5	6,4	7,2	357	107	2,4	4,04	2,5	3,8	6,8	7,2	SK 1282.1 - 112 MP/4	49,5	D90-92	276	139	1,8	5,22	2,5	4,0	6,8	7,2	226	169	1,7		6,38				2,6	4,3	6,8	7,2	193	198	1,6	7,47	2,6	4,4	6,8	7,2	175	219	1,5	8,25	2,6	4,4	6,8	7,2	149	257	1,4	9,67	2,6	4,5	6,8	7,2	132	288	1,4	10,88	2,5	4,5	6,8	7,2	118	323	1,2	12,19	2,4	4,4	6,8	7,2	105	364		1,1				13,74	2,3	4,3	6,7	7,2	86	442	0,9	16,66	2,1	4,1	6,7	7,2	74	518	0,8	19,52	1,4	3,9	6,6	7,2	319	120	1,6	4,51	4,2	8,2	9	15	SK 2282 - 112 MP/4	60,5	D98	253	151	1,4	5,72	4,5	9,0	9	15	224				171	1,3	6,43	4,5	9,4	8,9	15	193	198	1,2	7,48	4,7	9,6	8,9	15	172	222	1,2	8,37	4,7	9,8	8,8	15	160	239	1,4	9,03	4,9	10,2	8,8	15																																																																																																							
	4,00	301	127	1,0	4,79	1,8	3,5	6,8	7,2	SK 1282 - 112 MP/4	49,5		D97																																																																																																																																																																																																																																																																																																														
		263	145	1,2	5,47	1,8	3,5	6,8	7,2																																																																																																																																																																																																																																																																																																																		
224		170	1,1	6,43	1,8	3,5	6,7	7,2																																																																																																																																																																																																																																																																																																																			
199		192	1,0	7,24	1,7	3,5	6,6	7,2																																																																																																																																																																																																																																																																																																																			
175		218	0,9	8,24	1,7	3,5	6,4	7,2	357					107	2,4	4,04	2,5	3,8	6,8	7,2	SK 1282.1 - 112 MP/4	49,5	D90-92	276	139	1,8	5,22	2,5	4,0	6,8		7,2	226	169	1,7	6,38	2,6	4,3	6,8	7,2	193	198	1,6	7,47	2,6	4,4	6,8	7,2	175	219	1,5	8,25	2,6	4,4	6,8	7,2	149	257	1,4	9,67	2,6	4,5	6,8	7,2	132	288	1,4				10,88	2,5	4,5	6,8	7,2	118	323	1,2	12,19	2,4	4,4		6,8				7,2	105	364	1,1	13,74	2,3	4,3	6,7	7,2	86	442	0,9	16,66	2,1	4,1	6,7	7,2	74	518	0,8	19,52	1,4	3,9	6,6	7,2	319	120	1,6	4,51	4,2	8,2	9	15	SK 2282 - 112 MP/4	60,5	D98	253	151	1,4	5,72	4,5	9,0	9	15	224	171		1,3	6,43	4,5	9,4	8,9	15	193	198	1,2	7,48	4,7	9,6	8,9	15	172	222	1,2	8,37	4,7	9,8	8,8	15	160	239	1,4	9,03	4,9	10,2	8,8	15																																																																																																																																																								
357		107	2,4	4,04	2,5	3,8	6,8	7,2	SK 1282.1 - 112 MP/4	49,5	D90-92																																																																																																																																																																																																																																																																																																																
276		139	1,8	5,22	2,5	4,0	6,8	7,2																																																																																																																																																																																																																																																																																																																			
226		169	1,7	6,38	2,6	4,3	6,8	7,2																																																																																																																																																																																																																																																																																																																			
193		198	1,6	7,47	2,6	4,4	6,8	7,2																																																																																																																																																																																																																																																																																																																			
175		219	1,5	8,25	2,6	4,4	6,8	7,2																																																																																																																																																																																																																																																																																																																			
149		257	1,4	9,67	2,6	4,5	6,8	7,2																																																																																																																																																																																																																																																																																																																			
132		288	1,4	10,88	2,5	4,5	6,8	7,2																																																																																																																																																																																																																																																																																																																			
118		323	1,2	12,19	2,4	4,4	6,8	7,2																																																																																																																																																																																																																																																																																																																			
105		364	1,1	13,74	2,3	4,3	6,7	7,2																																																																																																																																																																																																																																																																																																																			
86		442	0,9	16,66	2,1	4,1	6,7	7,2																																																																																																																																																																																																																																																																																																																			
74		518	0,8	19,52	1,4	3,9	6,6	7,2					319	120	1,6	4,51	4,2	8,2	9	15				SK 2282 - 112 MP/4	60,5	D98	253	151	1,4	5,72		4,5	9,0	9	15	224	171	1,3	6,43	4,5	9,4	8,9	15	193	198	1,2	7,48	4,7	9,6	8,9	15	172	222	1,2	8,37	4,7	9,8	8,8	15	160	239	1,4	9,03	4,9	10,2	8,8	15																																																																																																																																																																																																																																																								
319		120	1,6	4,51	4,2	8,2	9	15					SK 2282 - 112 MP/4	60,5	D98																																																																																																																																																																																																																																																																																																												
253		151	1,4	5,72	4,5	9,0	9	15																																																																																																																																																																																																																																																																																																																			
224		171	1,3	6,43	4,5	9,4	8,9	15																																																																																																																																																																																																																																																																																																																			
193		198	1,2	7,48	4,7	9,6	8,9	15																																																																																																																																																																																																																																																																																																																			
172		222	1,2	8,37	4,7	9,8	8,8	15																																																																																																																																																																																																																																																																																																																			
160		239	1,4	9,03	4,9	10,2	8,8	15																																																																																																																																																																																																																																																																																																																			

UNICASE™ Parallel shaft gear units



P_1 [kW]	n_2 [r/min]	M_2 [Nm]	f_B	i_{total}	F_R [kN]	F_A	$F_{R VL}$ [kN]	$F_{A VL}$ [kN]	Type	kg	mm  
4,00	142	269	1,3	10,15	5,0	10,4	8,6	15	SK 2282 - 112 MP/4	60,5	D98
	122	313	1,2	11,81	5,0	10,6	8,5	15			
	109	350	1,2	13,23	5,1	10,7	8,3	15			
	87	439	1,1	16,53	5,2	11,1	7,8	15			
	78	491	1,0	18,51	5,2	11,2	7,4	15			
	66	581	0,8	21,90	5,2	11,3	6,5	15			
	317	120	3,8	4,48	4,9	8,5	10,1	16,6	SK 3282 - 112 MP/4	75,5	D100
	251	152	3,6	5,74	5,1	9,3	10,1	17,6			
	213	180	3,4	6,70	5,3	9,8	10,1	18,3			
	171	223	3,0	8,31	5,6	10,6	10	19,3			
	147	259	3,2	9,80	5,8	11,4	10	20			
	127	301	2,7	11,38	6,0	11,8	9,9	20			
	102	374	2,3	14,11	6,1	12,2	9,7	20			
	86	442	1,9	16,67	6,3	12,6	9,5	20			
	71	534	1,5	20,18	6,4	13,0	9,1	20			
	67	567	1,3	21,38	6,4	12,9	9	20			
	64	595	1,3	22,45	6,5	13,1	8,9	20			
	61	628	1,3	23,71	6,4	13,0	8,7	20			
	56	686	1,2	25,88	6,5	13,2	8,4	20			
	50	760	1,1	28,70	6,4	13,3	7,9	20			
	45	846	1,0	31,93	6,4	13,3	7,3	20			
	38	1002	0,8	37,77	5,7	13,1	5,7	20			
	34	1115	0,8	42,02	3,9	13,1	3,9	20			
	95	403	4,5	15,20	10,1	20,0	14,5	30	SK 4282 - 112 MP/4	90,5	D102
	79	482	3,7	18,18	10,5	20,8	14,4	30			
	67	569	3,0	21,45	10,9	21,7	14,2	30			
	64	594	2,9	22,39	11,0	21,8	14,2	30			
	55	696	2,3	26,25	11,4	22	14	30			
	55	701	2,6	26,43	11,3	22	13,9	30			
	54	709	2,3	26,72	11,2	22	13,9	30			
	45	850	2,1	32,04	11,5	22	13,6	30			
	45	857	1,9	32,34	11,7	22	13,5	30			
	40	965	1,4	36,40	11,6	22	13,2	30			
	39	977	1,4	36,81	11,9	22	13,2	30			
	38	1017	2,0	38,31	11,8	22	13	30			
	35	1082	1,4	40,74	12,1	22	12,8	30			
	33	1158	1,4	43,65	11,9	22	12,5	30			
	32	1195	1,3	45,05	12,2	22	12,3	30			
	28	1385	1,3	52,20	11,4	22	11,4	30			
	23	1635	1,1	61,60	9,7	22	9,7	30			
	58	662	4,4	25,00	16,9	32	22	40	SK 5282 - 112 MP/4	126,5	D104
	47	808	3,6	30,50	17,7	32	21,8	40			
	43	886	2,6	33,43	18,0	32	21,7	40			
	41	940	2,9	35,46	18,2	32	21,7	40			
	35	1082	2,3	40,80	18,7	32	21,4	40			
	34	1113	2,9	41,94	18,9	32	21,4	40			
	30	1254	1,9	47,27	19,2	32	21,1	40			
	28	1365	2,4	51,49	19,8	32	20,9	40			
	26	1474	1,7	55,55	19,8	32	20,6	40			
	26	1484	1,8	55,90	19,9	32	20,6	40			
	21	1820	1,6	68,63	19,6	32	19,6	40			
	18	2167	0,8	81,61	18,4	32	18,4	40			
	16	2436	1,1	91,81	17,2	32	17,2	40			
	14	2657	0,8	100,19	16,0	32	16	40			

4,00 kW

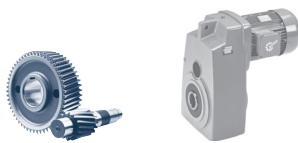


P_1 [kW]	n_2 [r/min]	M_2 [Nm]	f_B	i_{total}	F_R [kN]	F_A	$F_{R VL}$ [kN]	$F_{A VL}$	Type	kg	mm
4,00	17	2190	1,3	82,72	18,3	32	18,3	40	SK 5382 - 112 MP/4	145,5	D105
	16	2427	1,2	91,71	17,2	32	17,2	40			
	12	3111	0,9	117,37	12,9	32	12,9	40			
	10	3681	0,9	138,82	5,6	32	5,6	40			
	22	1736	1,9	65,44	29,3	46,5	29,3	60	SK 6282 - 112 MP/4	210,5	D106
	18	2129	1,9	80,33	28,6	46,5	28,6	60			
	40	962	4,7	36,34	28,4	46,5	30,4	60	SK 6382 - 112 MP/4	207,5	D107
	34	1125	4,0	42,46	29,5	46,5	30,2	60			
	28	1353	3,8	51,07	29,9	46,5	29,9	60			
	24	1582	3,5	59,66	29,6	46,5	29,6	60			
	20	1948	2,9	73,50	29,0	46,5	29,0	60			
	19	1997	3,0	75,18	28,9	46,5	28,9	60			
	16	2458	2,4	92,63	27,8	46,5	27,8	60			
	13	3045	1,9	114,79	26,1	46,5	26,1	60			
	11	3365	1,4	126,87	24,9	46,5	24,9	60			
	9	4247	1,4	159,88	20,7	46,5	20,7	60			
	8,4	4546	1,2	171,34	18,7	46,5	18,7	60			
	6,8	5630	0,8	212,33	5,6	46,5	5,6	60			
	5,4	7107	0,8	267,59	0	46,5	0	60			
	9,1	4215	1,1	159,23	20,8	46,5	20,8	60			
	7,5	5070	0,9	191,51	14,3	46,5	14,3	60			
	6,4	5929	0,8	223,73	0	46,5	0	60			
	27	1417	5,0	53,38	34,5	58	37,9	80	SK 7382 - 112 MP/4	280,5	D109
	24	1579	4,5	59,52	35,3	58	37,8	80			
	21	1808	4,0	68,10	35,4	58	37,6	80			
	18	2089	3,6	78,81	35,1	58	37,3	80			
	15	2468	3,1	93,18	34,6	58	36,8	80			
	14	2826	2,7	106,59	34,1	58	36,2	80			
	12	3266	2,3	123,37	33,3	58	35,4	80			
	9,6	3987	1,9	150,57	31,8	58	33,8	80			
	8,9	4300	1,5	162,17	31,0	58	32,9	80			
	7	5430	1,4	204,99	27,4	58	29,1	80			
	6,7	5741	1,4	216,43	26,1	58	27,7	80			
	5,3	7250	1,0	273,57	17,5	58	18,6	80			
	4,3	8976	0,8	338,79	0	58	0	80			
	6,5	5916	1,2	223,20	25,4	58	26,9	80			
	4,9	7827	0,9	295,54	11,8	58	12,5	80			
	14	2736	4,4	103,21	50,1	73	59,6	100	SK 8382 - 112 MP/4	405,5	D111
	12	3143	4,0	118,47	51,7	73	59,3	100			
	11	3323	3,7	125,38	52,6	73	59,2	100			
	10	3817	3,3	143,91	54,2	73	58,8	100			
	7,2	5327	2,0	201,00	57,2	73	57,2	100			
	4,5	8438	1,5	318,31	52,0	73	52,0	100			
	3,7	10249	1,2	386,68	47,5	73	47,5	100			
	7,7	4948	2,4	185,94	56,8	73	57,7	100			
	6,6	5808	2,1	223,40	56,6	73	56,6	100	SK 8382/42 - 112 MP/4	450,5	D116
	4,9	7838	1,5	294,43	53,3	73	53,3	100			
	4,2	9200	1,3	346,66	50,3	73	50,3	100			
	3,1	12436	1,0	468,52	40,1	73	40,1	100			
	2,6	14597	0,8	551,02	28,9	73	28,9	100			

UNICASE™ Parallel shaft gear units




P_1 [kW]	n_2 [r/min]	M_2 [Nm]	f_B	i_{total}	F_R [kN]	F_A	$F_{R VL}$ [kN]	$F_{A VL}$	Type	kg	mm D			
4,00	3,2	11959	2,0	449,57	71,5	102	71,5	130	SK 9382/42 - 112 MP/4	752,5	D116			
	2,3	16415	1,5	618,30	63,1	102	63,1	130						
	2	18976	1,3	715,38	56,3	102	56,3	130						
	1,6	23493	1,0	886,49	38,0	102	38	130						
	4,9	7804	3,1	294,54	71,4	102	76,5	130	SK 9382/52 - 112 MP/4	781,5	D117			
	3,5	10889	2,2	411,63	73,0	102	73	130						
	5,50	325	162	1,1	4,51	3,9	7,6	8,8	15	SK 2282 - 132 SP/4	80	D98		
		257	204	1,0	5,72	4,1	8,1	8,9	15					
228		231	1,0	6,43	4,1	8,3	8,8	15						
196		268	0,9	7,48	4,2	8,7	8,6	15						
175		300	0,9	8,37	4,2	8,9	8,5	15						
163		323	1,0	9,03	4,4	9,2	8,4	15						
144		364	1,0	10,15	4,4	9,3	8,2	15						
124		423	0,9	11,81	4,4	9,3	7,9	15						
111		473	0,9	13,23	4,3	9,3	7,5	15						
323		163	2,8	4,48	4,6	8,0	10,1	16,1	SK 3282 - 132 SP/4				95	D100
255		206	2,7	5,74	4,8	8,6	10	17						
216		243	2,5	6,70	4,9	9,0	10	17,7						
174		301	2,2	8,31	5,1	9,6	9,9	18,5						
150		350	2,4	9,80	5,3	10,2	9,8	19,2						
129		407	2,0	11,38	5,4	10,7	9,6	19,9						
104		505	1,7	14,11	5,4	11,0	9,3	20						
88		597	1,4	16,67	5,5	11,2	8,9	20						
73		722	1,1	20,18	5,4	11,3	8,2	20						
69		766	0,9	21,38	5,3	11,1	7,9	20						
65		804	1,0	22,45	5,4	11,3	7,6	20						
62		849	0,9	23,71	5,2	11,1	7,2	20						
57		927	0,9	25,88	5,2	11,1	6,5	20						
51		1028	0,8	28,70	5,1	10,9	5,3	20						
206		255	4,7	7,13	7,9	14,6	14,6	28		SK 4282 - 132 SP/4	110	D102		
176		299	4,3	8,33	8,2	15,5	14,6	29,1						
159		331	4,9	9,23	8,5	16,4	14,6	30						
135		388	4,4	10,85	8,8	17,4	14,5	30						
116		454	3,9	12,68	9,1	18,0	14,4	30						
96		545	3,3	15,20	9,4	18,8	14,3	30						
81		652	2,8	18,18	9,7	19,5	14,1	30						
68		769	2,2	21,45	10,0	20,2	13,8	30						
65		802	2,1	22,39	10,0	20,2	13,7	30						
56		941	1,7	26,25	10,3	20,9	13,3	30						
55	947	1,9	26,43	10,2	20,8	13,3	30							
55	958	1,7	26,72	10,0	20,3	13,2	30							
46	1149	1,6	32,04	10,2	20,9	12,5	30							
45	1158	1,4	32,34	10,4	21,3	12,5	30							
40	1305	1,1	36,40	10,0	20,7	11,8	30							
40	1321	1,1	36,81	10,4	21,4	11,7	30							
38	1375	1,5	38,31	10,2	21,2	11,4	30							
36	1462	1,1	40,74	10,4	21,6	10,9	30							
34	1565	1,0	43,65	10,1	21,0	10,2	30							
33	1616	1,0	45,05	9,9	21,6	9,9	30							
28	1873	1,0	52,20	7,5	21,0	7,5	30							
24	2210	0,8	61,60	0	20,9	0	30							

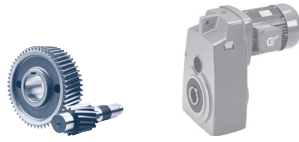


UNICASE™ Parallel shaft gear units

P_1 [kW]	n_2 [r/min]	M_2 [Nm]	f_B	i_{total}	F_R [kN]	F_A	$F_{R VL}$ [kN]	$F_{A VL}$	Type	kg	mm 																																																																																																																																																																																																																																																																											
5,50	95	552	4,7	15,38	14,3	27,8	22,1	40	SK 5282 - 132 SP/4	146	D104																																																																																																																																																																																																																																																																											
	83	631	4,4	17,59	14,7	28,8	22,0	40																																																																																																																																																																																																																																																																														
	78	676	3,8	18,88	15,0	29,4	22,0	40																																																																																																																																																																																																																																																																														
	72	730	4,2	20,36	15,2	29,9	21,9	40																																																																																																																																																																																																																																																																														
	59	895	3,2	25,00	16,0	31,5	21,7	40																																																																																																																																																																																																																																																																														
	48	1092	2,7	30,50	16,7	32	21,4	40																																																																																																																																																																																																																																																																														
	44	1198	1,9	33,43	16,8	32	21,2	40																																																																																																																																																																																																																																																																														
	41	1271	2,1	35,46	16,9	32	21,1	40																																																																																																																																																																																																																																																																														
	36	1462	1,7	40,80	17,3	32	20,6	40																																																																																																																																																																																																																																																																														
	35	1504	2,1	41,94	17,4	32	20,5	40																																																																																																																																																																																																																																																																														
	31	1695	1,4	47,27	17,5	32	20	40																																																																																																																																																																																																																																																																														
	28	1844	1,8	51,49	18,0	32	19,6	40																																																																																																																																																																																																																																																																														
	26	1992	1,3	55,55	17,9	32	19,0	40																																																																																																																																																																																																																																																																														
	26	2006	1,3	55,90	18,0	32	19,0	40																																																																																																																																																																																																																																																																														
	21	2459	1,2	68,63	17,1	32	17,1	40																																																																																																																																																																																																																																																																														
	16	3292	0,8	91,81	11,2	32	11,2	40																																																																																																																																																																																																																																																																														
18	2960	0,9	82,72	14,0	32	14,0	40	SK 5382 - 132 SP/4	165	D105																																																																																																																																																																																																																																																																												
16	3281	0,9	91,71	11,3	32	11,3	40				56	933	4,9	26,05	25,2	43,6	30,4	60	SK 6282 - 132 SP/4	230	D106	49	1072	4,2	29,90	26,1	45,2	30,3	60	37	1414	2,3	39,48	27,5	46,5	29,8	60	29	1785	2,3	49,75	29,0	46,5	29,3	60	24	2189	2,1	61,08	28,5	46,5	28,5	60	22	2347	1,4	65,44	28,1	46,5	28,1	60	18	2877	1,4	80,33	26,6	46,5	26,6	60	51	1028	4,5	28,72	25,6	44,5	30,3	60	SK 6382 - 132 SP/4	227	D107	47	1108	4,1	30,91	26,1	45,3	30,2	60	40	1300	3,5	36,34	27,0	46,5	30	60	35	1521	3,0	42,46	28,0	46,5	29,7	60	29	1829	2,8	51,07	29,0	46,5	29,2	60	25	2139	2,6	59,66	28,6	46,5	28,6	60	20	2632	2,1	73,50	27,4	46,5	27,4	60	19	2700	2,2	75,18	27,2	46,5	27,2	60	16	3323	1,8	92,63	25,1	46,5	25,1	60	13	4115	1,4	114,79	21,4	46,5	21,4	60	12	4547	1,0	126,87	18,7	46,5	18,7	60	9,1	5740	1,0	159,88	0	46,5	0	60	8,5	6144	0,9	171,34	0	46,5	0	60	9,2	5697	0,8	159,23	3,2	46,5	3,2	60	SK 6382/32 - 132 SP/4	257	D116	42	1244	4,7	34,64	29,8	53,0	38,1	80	SK 7282 - 132 SP/4	293	D108	33	1616	2,7	45,02	31,5	56,4	37,8	80	26	2040	2,7	56,91	33,2	58,0	37,3	80	21	2502	2,3	69,73	34,6	58,0	36,7	80	40	1325	5,0	36,92	30,0	53,6	38,0	80	SK 7382 - 132 SP/4	300	D109	31	1673	4,2	46,66	31,8	57,1	37,7	80	27	1915	3,7	53,38	32,8	58	37,5	80	25	2134	3,3	59,52	33,4	58	37,2	80	21	2443	2,9	68,10	34,3	58	36,8	80	19	2823	2,6	78,81	34,1	58	36,2	80	16	3336	2,3	93,18	33,2
56	933	4,9	26,05	25,2	43,6	30,4	60	SK 6282 - 132 SP/4	230	D106																																																																																																																																																																																																																																																																												
49	1072	4,2	29,90	26,1	45,2	30,3	60																																																																																																																																																																																																																																																																															
37	1414	2,3	39,48	27,5	46,5	29,8	60																																																																																																																																																																																																																																																																															
29	1785	2,3	49,75	29,0	46,5	29,3	60																																																																																																																																																																																																																																																																															
24	2189	2,1	61,08	28,5	46,5	28,5	60																																																																																																																																																																																																																																																																															
22	2347	1,4	65,44	28,1	46,5	28,1	60																																																																																																																																																																																																																																																																															
18	2877	1,4	80,33	26,6	46,5	26,6	60																																																																																																																																																																																																																																																																															
51	1028	4,5	28,72	25,6	44,5	30,3	60	SK 6382 - 132 SP/4	227	D107																																																																																																																																																																																																																																																																												
47	1108	4,1	30,91	26,1	45,3	30,2	60																																																																																																																																																																																																																																																																															
40	1300	3,5	36,34	27,0	46,5	30	60																																																																																																																																																																																																																																																																															
35	1521	3,0	42,46	28,0	46,5	29,7	60																																																																																																																																																																																																																																																																															
29	1829	2,8	51,07	29,0	46,5	29,2	60																																																																																																																																																																																																																																																																															
25	2139	2,6	59,66	28,6	46,5	28,6	60																																																																																																																																																																																																																																																																															
20	2632	2,1	73,50	27,4	46,5	27,4	60																																																																																																																																																																																																																																																																															
19	2700	2,2	75,18	27,2	46,5	27,2	60																																																																																																																																																																																																																																																																															
16	3323	1,8	92,63	25,1	46,5	25,1	60																																																																																																																																																																																																																																																																															
13	4115	1,4	114,79	21,4	46,5	21,4	60																																																																																																																																																																																																																																																																															
12	4547	1,0	126,87	18,7	46,5	18,7	60																																																																																																																																																																																																																																																																															
9,1	5740	1,0	159,88	0	46,5	0	60																																																																																																																																																																																																																																																																															
8,5	6144	0,9	171,34	0	46,5	0	60																																																																																																																																																																																																																																																																															
9,2	5697	0,8	159,23	3,2	46,5	3,2	60	SK 6382/32 - 132 SP/4	257	D116																																																																																																																																																																																																																																																																												
42	1244	4,7	34,64	29,8	53,0	38,1	80	SK 7282 - 132 SP/4	293	D108																																																																																																																																																																																																																																																																												
33	1616	2,7	45,02	31,5	56,4	37,8	80																																																																																																																																																																																																																																																																															
26	2040	2,7	56,91	33,2	58,0	37,3	80																																																																																																																																																																																																																																																																															
21	2502	2,3	69,73	34,6	58,0	36,7	80																																																																																																																																																																																																																																																																															
40	1325	5,0	36,92	30,0	53,6	38,0	80	SK 7382 - 132 SP/4	300	D109																																																																																																																																																																																																																																																																												
31	1673	4,2	46,66	31,8	57,1	37,7	80																																																																																																																																																																																																																																																																															
27	1915	3,7	53,38	32,8	58	37,5	80																																																																																																																																																																																																																																																																															
25	2134	3,3	59,52	33,4	58	37,2	80																																																																																																																																																																																																																																																																															
21	2443	2,9	68,10	34,3	58	36,8	80																																																																																																																																																																																																																																																																															
19	2823	2,6	78,81	34,1	58	36,2	80																																																																																																																																																																																																																																																																															
16	3336	2,3	93,18	33,2	58	35,3	80																																																																																																																																																																																																																																																																															




P_1 [kW]	n_2 [r/min]	M_2 [Nm]	f_B	i_{total}	F_R [kN]	F_A	$F_{R VL}$ [kN]	$F_{A VL}$ [kN]	Type	kg	mm 			
5,50	14	3819	2,0	106,59	32,2	58	34,2	80	SK 7382 - 132 SP/4	300	D109			
	12	4414	1,7	123,37	30,7	58	32,6	80						
	9,7	5389	1,4	150,57	27,5	58	29,2	80						
	9	5812	1,1	162,17	25,8	58	27,4	80						
	7,2	7339	1,0	204,99	16,8	58	17,8	80						
	6,8	7760	1,1	216,43	12,6	58	13,4	80						
	6,6	7995	0,9	223,2	9,4	58	10,0	80						
	25	2130	3,0	59,44	41,8	72,7	59,9	100				SK 8282 - 132 SP/4	421	D110
	20	2587	3,0	72,21	44,0	73,0	59,7	100						
	22	2336	4,8	65,22	42,8	73	59,8	100				SK 8382 - 132 SP/4	425	D111
19	2714	4,5	75,69	44,3	73	59,6	100							
16	3255	3,7	90,94	46	73	59,2	100							
14	3697	3,3	103,21	47,2	73	58,9	100							
12	4248	2,9	118,47	48,5	73	58,4	100							
12	4491	2,7	125,38	49,2	73	58,2	100							
10	5159	2,4	143,91	50,4	73	57,4	100							
9,6	5477	2,4	152,83	50,5	73	57,0	100							
7,9	6652	1,9	185,66	52,1	73	55,3	100							
7,3	7200	1,5	201,00	52,1	73	54,4	100							
6,1	8675	1,5	242,02	51,5	73	51,5	100							
5	10537	1,2	294,01	46,7	73	46,7	100							
4,6	11404	1,1	318,31	43,9	73	43,9	100							
3,8	13852	0,9	386,68	33,4	73	33,4	100							
7,9	6688	1,8	185,94	51,7	73	55,3	100	SK 8382/42 - 132 SP/4	470	D116				
6,7	7850	1,5	223,40	52,4	73	53,2	100							
5	10593	1,1	294,43	46,5	73	46,5	100							
4,2	12434	1,0	346,66	40,1	73	40,1	100							
10	5184	4,6	144,69	69,5	102	78,4	130	SK 9382 - 132 SP/4	727	D113				
8,4	6275	4,0	175,05	73,0	102	77,7	130							
7,2	7337	3,0	204,68	75,5	102	76,9	130							
5	10430	2,3	291,25	73,6	102	73,6	130							
4,2	12625	2,0	352,36	70,5	102	70,5	130							
3,2	16164	1,5	449,57	63,6	102	63,6	130	SK 9382/42 - 132 SP/4	772	D116				
2,4	22185	1,1	618,30	44,5	102	44,5	130							
2	25646	0,9	715,38	22,3	102	22,3	130							
5	10547	2,3	294,54	65,5	102	73,5	130	SK 9382/52 - 132 SP/4	801	D117				
3,6	14716	1,6	411,63	66,7	102	66,7	130							
7,50	324	221	0,8	4,51	3,6	6,8	8,5	15	SK 2282 - 132 MP/4	87	D98			
	321	223	2,1	4,48	4,3	7,4	10	15,6	SK 3282 - 132 MP/4	102	D100			
	255	281	2,0	5,74	4,4	7,8	9,9	16,4						
	216	332	1,8	6,70	4,4	8,0	9,8	17,0						
	174	412	1,6	8,31	4,5	8,3	9,6	17,6						
	149	479	1,7	9,80	4,6	8,7	9,4	18,3						
	129	557	1,5	11,38	4,6	9,0	9,0	18,8						
	104	691	1,2	14,11	4,5	9,0	8,4	19,3						
	88	817	1,0	16,67	4,4	9,1	7,5	19,7						
	72	988	0,8	20,18	4,1	9,0	5,8	20,0						



UNICASE™ Parallel shaft gear units

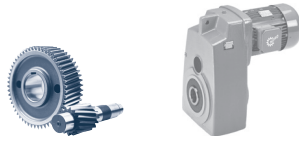
P_1 [kW]	n_2 [r/min]	M_2 [Nm]	f_B	i_{total}	F_R [kN]	F_A	$F_{R VL}$ [kN]	$F_{A VL}$	Type	kg	mm
7,50	310	231	4,5	4,70	6,9	12,0	14,6	24,7	SK 4282 - 132 MP/4	117	D102
	292	245	4,2	5,00	7,0	12,2	14,6	25,1			
	268	267	3,9	5,43	7,1	12,6	14,6	25,6			
	240	298	4,0	6,06	7,3	13,0	14,6	26,3			
	205	350	3,4	7,13	7,5	13,7	14,5	27,3			
	175	409	3,1	8,33	7,7	14,4	14,5	28,4			
	158	453	3,6	9,23	8,0	15,2	14,4	29,2			
	135	531	3,2	10,85	8,2	16,1	14,3	30			
	115	621	2,8	12,68	8,3	16,8	14,1	30			
	96	745	2,4	15,20	8,6	17,4	13,8	30			
	80	892	2,0	18,18	8,7	17,8	13,4	30			
	68	1053	1,6	21,45	8,9	18,2	12,9	30			
	65	1098	1,5	22,39	8,8	18,1	12,7	30			
	56	1288	1,2	26,25	8,9	18,5	11,9	30			
	55	1296	1,4	26,43	8,8	18,4	11,8	30			
	55	1311	1,2	26,72	8,5	17,7	11,8	30			
	46	1572	1,1	32,04	8,4	17,9	10,2	30			
	45	1585	1,0	32,34	8,7	18,4	10,1	30			
	38	1881	1,1	38,31	7,4	17,6	7,4	30			
	154	465	5,0	9,46	12,1	22,6	22,2	40			
136	526	4,8	10,71	12,5	23,9	22,1	40				
112	638	4,1	13,00	13,0	25,6	22,0	40				
95	755	3,4	15,38	13,6	26,8	21,9	40				
83	864	3,2	17,59	13,9	27,6	21,8	40				
77	925	2,8	18,88	14,2	28,2	21,7	40				
72	999	3,1	20,36	14,3	28,5	21,6	40				
58	1224	2,4	25,00	14,9	30,0	21,2	40				
48	1495	1,9	30,50	15,3	31,1	20,6	40				
44	1639	1,4	33,43	15,3	30,3	20,2	40				
41	1739	1,6	35,46	15,3	31,4	19,9	40				
36	2001	1,2	40,80	15,5	31,0	19,0	40				
35	2058	1,6	41,94	15,5	32,0	18,8	40				
28	2524	1,3	51,49	15,8	32,0	16,7	40				
26	2725	0,9	55,55	15,4	31,4	15,6	40				
78	916	4,8	18,70	22,2	38,6	30,4	60	SK 6282 - 132 MP/4	237	D106	
64	1124	4,0	22,95	23,4	40,8	30,2	60				
56	1276	3,6	26,05	24,1	42,2	30,0	60				
49	1466	3,1	29,90	24,8	43,6	29,8	60				
37	1935	1,7	39,48	25,8	45,9	29,0	60				
29	2442	1,7	49,75	26,8	46,5	27,9	60				
24	2995	1,5	61,08	26,3	46,5	26,3	60				
60	1198	3,9	24,42	23,5	41,2	30,1	60				SK 6382 - 132 MP/4
51	1406	3,3	28,72	24,3	42,8	29,9	60				
47	1516	3,0	30,91	24,7	43,6	29,7	60				
40	1779	2,6	36,34	25,4	45,1	29,3	60				
34	2081	2,2	42,46	26,1	46,5	28,7	60				
29	2503	2,0	51,07	26,7	46,5	27,7	60				
24	2926	1,9	59,66	26,5	46,5	26,5	60				
20	3602	1,5	73,50	23,9	46,5	23,9	60				
19	3694	1,6	75,18	23,5	46,5	23,5	60				
16	4546	1,3	92,63	18,7	46,5	18,7	60				
13	5631	1,0	114,79	5,6	46,5	5,6	60				



P_1 [kW]	n_2 [r/min]	M_2 [Nm]	f_B	i_{total}	F_R [kN]	F_A [kN]	$F_{R VL}$ [kN]	$F_{A VL}$ [kN]	Type	kg	mm 
7,50	54	1319	4,4	26,89	26,9	48,0	38,0	80	SK 7282 - 132 MP/4	300	D108
	42	1702	3,4	34,64	28,5	51,3	37,7	80			
	32	2211	2,0	45,02	29,7	54,1	37,1	80			
	26	2791	2,0	56,91	31,1	57,1	36,3	80			
	21	3424	1,7	69,73	32,3	58	35,1	80			
	48	1495	4,4	30,42	27,4	49,3	37,9	80	SK 7382 - 132 MP/4	307	D109
	40	1813	3,7	36,92	28,6	51,7	37,6	80			
	31	2289	3,1	46,66	30	54,7	37,0	80			
	27	2620	2,7	53,38	30,8	56,3	36,5	80			
	25	2920	2,4	59,52	31,1	57,3	36,0	80			
	21	3343	2,2	68,10	31,6	58	35,2	80			
	19	3863	1,9	78,81	32,1	58	34,1	80			
	16	4565	1,7	93,18	30,2	58	32,1	80			
	14	5226	1,4	106,59	28,1	58	29,9	80			
	12	6039	1,2	123,37	24,8	58	26,3	80			
	9,7	7374	1,0	150,57	16,5	58	17,5	80			
	25	2914	2,2	59,44	39,8	70,1	59,5	100	SK 8282 - 132 MP/4	428	D110
	20	3540	2,2	72,21	41,5	73	59,0	100			
	34	2135	5,0	43,59	37,3	65,1	59,9	100	SK 8382 - 132 MP/4	432	D111
	25	2812	4,3	57,43	39,5	69,5	59,5	100			
	22	3196	3,5	65,22	40,5	71,6	59,3	100			
	19	3714	3,3	75,69	41,7	73	58,9	100			
	16	4454	2,7	90,94	42,9	73	58,2	100			
	14	5059	2,4	103,21	43,7	73	57,5	100			
	12	5812	2,1	118,47	44,4	73	56,6	100			
	12	6145	2,0	125,38	45,0	73	56,1	100			
	10	7060	1,8	143,91	45,5	73	54,7	100			
	9,6	7494	1,8	152,83	45,2	73	53,9	100			
	7,9	9102	1,4	185,66	45,8	73	50,5	100			
	6	11870	1,1	242,02	42,3	73	42,3	100			
	5	14418	0,9	294,01	30,0	73	30,0	100			
	7,8	9151	1,3	185,94	45,2	73	50,4	100	SK 8382/42 - 132 MP/4	477	D116
	6,7	10741	1,1	223,40	44,8	73	46,1	100			
	4,9	14494	0,8	294,43	29,6	73	29,6	100			
	13	5667	4,5	115,57	63,2	102	78,1	130	SK 9382 - 132 MP/4	734	D113
	11	6655	3,8	135,90	65,4	102	77,4	130			
	10	7093	3,4	144,69	65,8	102	77,1	130			
	8,3	8586	3,0	175,05	68,6	102	75,7	130			
	7,1	10039	2,2	204,68	70,4	102	74,1	130			
	5	14272	1,7	291,25	67,6	102	67,6	130			
	4,1	17275	1,5	352,36	61,0	102	61,0	130			
	3,2	22117	1,1	449,57	44,8	102	44,8	130			
	5	14431	1,7	294,54	57,8	102	67,3	130	SK 9382/52 - 132 MP/4	808	D117
	3,6	20136	1,2	411,63	52,5	102	52,5	130			

UNICASE™ Parallel shaft gear units


9,20 kW



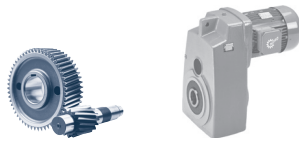
UNICASE™ Parallel shaft gear units

P_1 [kW]	n_2 [r/min]	M_2 [Nm]	f_B	i_{total}	F_R [kN]	F_A	$F_{R VL}$ [kN]	$F_{A VL}$	Type	kg	mm
9,20	312	282	3,7	4,70	6,6	11,5	14,6	24,3	SK 4282 - 160 SP/4	148	D102
	294	299	3,5	5,00	6,7	11,7	14,6	24,6			
	270	325	3,2	5,43	6,8	12,0	14,6	25,1			
	242	363	3,3	6,06	6,9	12,4	14,5	25,8			
	206	426	2,8	7,13	7,1	12,9	14,4	26,7			
	176	498	2,6	8,33	7,3	13,5	14,3	27,6			
	159	552	3,0	9,23	7,5	14,2	14,2	28,5			
	136	647	2,6	10,85	7,6	14,8	14,1	29,5			
	116	757	2,3	12,68	7,7	15,4	13,8	30			
	97	908	2,0	15,20	7,9	16,2	13,4	30			
	81	1087	1,7	18,18	7,9	16,4	12,8	30			
	69	1282	1,3	21,45	7,9	16,6	11,9	30			
	66	1337	1,3	22,39	7,7	16,3	11,6	30			
	56	1569	1,0	26,25	7,8	16,5	10,2	30			
	56	1578	1,1	26,43	7,6	16,3	10,1	30			
	46	1931	0,8	32,34	6,8	16,0	6,8	30			
169	519	4,5	8,70	11,4	20,9	22,1	40	SK 5282 - 160 SP/4	184	D104	
155	566	4,1	9,46	11,7	21,9	22,1	40				
137	641	3,9	10,71	12,1	22,9	22	40				
113	777	3,4	13,00	12,5	24,8	21,9	40				
96	919	2,8	15,38	13,0	25,9	21,7	40				
83	1053	2,6	17,59	13,3	26,6	21,5	40				
78	1127	2,3	18,88	13,5	27,2	21,4	40				
72	1217	2,5	20,36	13,5	27,4	21,2	40				
59	1492	1,9	25,00	14,0	28,6	20,6	40				
48	1821	1,6	30,50	14,2	29,4	19,6	40				
44	1997	1,2	33,43	14,0	28,2	19	40				
36	2438	1,0	40,80	13,9	28,4	17,2	40				
157	560	4,9	9,39	17,9	28,1	30,6	52,6				SK 6282 - 160 SP/4
79	1116	4,0	18,70	21,5	37,6	30,2	60				
64	1369	3,3	22,95	22,6	39,7	29,9	60				
56	1555	2,9	26,05	23,1	40,9	29,6	60				
49	1786	2,5	29,90	23,7	42,1	29,3	60				
37	2357	1,4	39,48	24,3	43,9	28,1	60				
30	2976	1,4	49,75	25,0	45,8	26,3	60				
24	3649	1,2	61,08	23,7	46,5	23,7	60				
60	1459	3,2	24,42	22,6	39,9	29,8	60	SK 6382 - 160 SP/4	265	D107	
51	1713	2,7	28,72	23,2	41,3	29,4	60				
48	1847	2,5	30,91	23,5	41,9	29,2	60				
41	2168	2,1	36,34	24,0	43,2	28,5	60				
35	2535	1,8	42,46	24,4	44,4	27,6	60				
29	3049	1,7	51,07	24,8	45,7	26,1	60				
25	3565	1,5	59,66	24,1	46,5	24,1	60				
20	4388	1,3	73,50	19,8	46,5	19,8	60				
20	4500	1,3	75,18	19,0	46,5	19,0	60				
16	5539	1,1	92,63	7,8	46,5	7,8	60				
13	6861	0,9	114,79	0	46,5	0	60				
74	1193	4,9	19,97	24,3	41,2	38,1	78,4	SK 7282 - 160 SP/4	331	D108	
64	1368	4,2	22,87	25,1	43,6	38,0	80				
55	1607	3,6	26,89	26,0	46,7	37,8	80				
42	2073	2,8	34,64	27,3	49,7	37,3	80				
39	2224	2,9	37,27	27,5	50,2	37,1	80				



P_1 [kW]	n_2 [r/min]	M_2 [Nm]	f_B	i_{total}	F_R [kN]	F_A	$F_{R VL}$ [kN]	$F_{A VL}$ [kN]	Type	kg	mm 
9,20	33	2693	1,6	45,02	28,2	52,0	36,4	80	SK 7282 - 160 SP/4	331	D108
	32	2729	2,1	45,67	28,7	52,7	36,4	80			
	26	3401	1,6	56,91	29,2	54,5	35,1	80			
	21	4172	1,4	69,73	30,1	56,8	33,3	80			
	63	1403	4,7	23,46	25,0	43,6	38	80	SK 7382 - 160 SP/4	338	D109
	55	1609	4,1	26,88	25,7	46,2	37,8	80			
	48	1822	3,6	30,42	26,4	47,8	37,6	80			
	40	2208	3,0	36,92	27,3	49,9	37,1	80			
	32	2789	2,5	46,66	28,5	52,6	36,3	80			
	28	3193	2,2	53,38	29,0	53,9	35,5	80			
	25	3557	2,0	59,52	29,1	54,6	34,8	80			
	22	4073	1,8	68,10	29,3	55,7	33,5	80			
	19	4707	1,6	78,81	29,5	56,7	31,7	80			
	16	5561	1,4	93,18	26,8	58,0	28,5	80			
	14	6367	1,2	106,59	23,2	58,0	24,6	80			
	12	7358	1,0	123,37	16,6	58,0	17,6	80			
9,8	8984	0,8	150,57	0	58,0	0	80				
	38	2338	4,0	39,11	35,0	61,5	59,8	100	SK 8282 - 160 SP/4	459	D110
	31	2839	3,7	47,51	36,7	64,7	59,5	100			
	25	3551	1,8	59,44	38,0	67,7	59	100			
	20	4313	1,8	72,21	39,4	70,8	58,3	100			
	34	2601	4,1	43,59	36,0	63,4	59,7	100	SK 8382 - 160 SP/4	463	D111
	31	2856	4,2	47,80	36,5	64,5	59,5	100			
	26	3426	3,5	57,43	37,7	67,2	59,1	100			
	23	3894	2,9	65,22	38,5	69,0	58,7	100			
	19	4524	2,7	75,69	39,4	71,1	58,1	100			
	16	5426	2,2	90,94	40,2	73	57,1	100			
	14	6163	2,0	103,21	40,6	73	56,1	100			
	12	7081	1,8	118,47	40,8	73	54,6	100			
	12	7486	1,6	125,38	41,4	73	53,9	100			
	10	8601	1,5	143,91	41,4	73	51,7	100			
	9,6	9130	1,4	152,83	40,7	73	50,5	100			
	7,9	11090	1,1	185,66	40,5	73	45,0	100			
6,1	14462	0,9	242,02	29,8	73	29,8	100				
7,9	11148	1,1	185,94	39,8	73	44,8	100	SK 8382/42 - 160 SP/4	508	D116	
	6,7	13086	0,9	223,40	37,2	73	37,2				100
	18	4972	4,8	83,19	56,4	101,5	78,6	130	SK 9382 - 160 SP/4	765	D113
	15	6018	4,2	100,89	59,1	102	77,9	130			
	13	6904	3,7	115,57	60,7	102	77,2	130			
	11	8108	3,1	135,90	62,4	102	76,2	130			
	10	8642	2,8	144,69	62,5	102	75,7	130			
	8,4	10460	2,4	175,05	64,8	102	73,6	130			
	7,2	12231	1,8	204,68	66	102	71,1	130			
	5,1	17388	1,4	291,25	60,7	102	60,7	130			
	4,2	21047	1,2	352,36	49,2	102	49,2	130			
3,3	26945	0,9	449,57	0	102	0	130				
7,3	11983	2,0	200,69	52,2	99,7	71,5	130	SK 9382/52 - 160 SP/4	839	D117	
	6,3	13943	1,7	233,17	52,2	101,3	68,2				130
	5	17582	1,4	294,54	51,4	102,0	60,2				130
	3,6	24533	1,0	411,63	31,6	102,0	31,6				130


11,0 kW



P_1 [kW]	n_2 [r/min]	M_2 [Nm]	f_B	i_{total}	F_R [kN]	F_A	$F_{R VL}$ [kN]	$F_{A VL}$	Type	kg	mm
11,0	311	338	3,1	4,70	6,4	11,0	14,4	23,9	SK 4282 - 160 MP/4	148	D102
	293	359	2,9	5,00	6,4	11,2	14,5	24,2			
	269	390	2,7	5,43	6,5	11,4	14,5	24,7			
	241	435	2,8	6,06	6,6	11,7	14,4	25,3			
	206	511	2,4	7,13	6,7	12,2	14,3	26,1			
	176	598	2,1	8,33	6,8	12,6	14,2	27,0			
	159	662	2,5	9,23	7,1	13,2	14,0	27,8			
	135	777	2,2	10,85	7,1	13,6	13,8	28,6			
	116	908	1,9	12,68	7,1	13,9	13,4	29,4			
	96	1089	1,7	15,20	7,1	14,5	12,7	30			
	81	1304	1,4	18,18	7,0	14,8	11,8	30			
	68	1539	1,1	21,45	6,9	14,8	10,4	30			
	65	1605	1,1	22,39	6,6	14,4	10,0	30			
	56	1882	0,9	26,25	6,5	14,4	7,4	30			
	55	1894	0,9	26,43	6,4	14,2	7,3	30			
		292	360	4,7	5,01	9,8	16,7	21,1			
	278	378	4,6	5,29	9,9	17,0	21,4	35,3			
	258	408	4,4	5,71	10,1	17,5	21,8	36,0			
	231	454	4,7	6,33	10,3	18,1	22,2	37,0			
	204	514	4,2	7,17	10,6	18,9	22,1	38,2			
	169	623	3,8	8,70	11,0	20,3	22,1	40			
	155	679	3,4	9,46	11,4	21,1	22,0	40			
	137	769	3,3	10,71	11,6	22,1	21,9	40			
	113	932	2,8	13,00	12	23,7	21,7	40			
	95	1103	2,4	15,38	12,4	25,0	21,4	40			
	83	1263	2,2	17,59	12,6	25,6	21,1	40			
	78	1353	1,9	18,88	12,8	26,1	20,9	40			
	72	1459	2,1	20,36	12,7	26,2	20,6	40			
	59	1790	1,6	25,00	13,0	27,2	19,7	40			
	48	2185	1,3	30,50	13,0	27,7	18,3	40			
	44	2395	1,0	33,43	12,7	26	17,4	40			
	36	2925	0,9	40,80	12,3	25,7	14,3	40			
	187	560	4,8	7,82	16,8	25,7	30,6	49,8	SK 6282 - 160 MP/4	268	D106
	156	672	4,1	9,39	17,6	27,5	30,6	52,2			
	119	885	5,0	12,35	19,0	30,8	30,4	56,4			
	99	1061	4,2	14,83	19,7	33,1	30,3	59			
	78	1339	3,3	18,70	20,8	36,4	29,9	60			
	64	1642	2,8	22,95	21,7	38,6	29,5	60			
	56	1866	2,4	26,05	22,1	39,6	29,1	60			
	49	2143	2,1	29,90	22,6	40,7	28,6	60			
	37	2828	1,1	39,48	22,7	41,8	26,8	60			
	29	3570	1,1	49,75	23,0	43,3	24,1	60			
	24	4377	1,0	61,08	19,9	44,5	19,9	60			
	60	1751	2,7	24,42	21,6	38,6	29,3	60			
	51	2055	2,2	28,72	22,1	39,8	28,7	60			
	47	2216	2,1	30,91	22,2	40,3	28,4	60			
	40	2601	1,7	36,34	22,6	41,4	27,4	60			
	35	3041	1,5	42,46	22,7	42,2	26,1	60			
	29	3658	1,4	51,07	22,7	43,0	23,7	60			
	25	4277	1,3	59,66	20,5	43,3	20,5	60			
	20	5264	1,1	73,50	12,1	43,4	12,1	60			
	19	5399	1,1	75,18	10,3	43,9	10,3	60			
	16	6645	0,9	92,63	0	43,3	0	60			

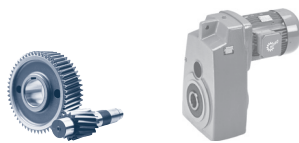
UNICASE™ Parallel shaft gear units



P_1 [kW]	n_2 [r/min]	M_2 [Nm]	f_B	i_{total}	F_R [kN]	F_A	$F_{R VL}$ [kN]	$F_{A VL}$ [kN]	Type	kg	mm 
11,0	73	1431	4,1	19,97	23,6	40,1	37,9	77,6	SK 7282 - 160 MP/4	331	D108
	64	1642	3,5	22,87	24,3	42,3	37,8	80			
	54	1928	3,0	26,89	25,1	45,0	37,5	80			
	42	2487	2,3	34,64	26,2	48,2	36,7	80			
	39	2669	2,4	37,27	26,2	48,5	36,5	80			
	33	3231	1,4	45,02	26,6	49,9	35,5	80			
	32	3274	1,8	45,67	27,1	50,7	35,4	80			
	26	4080	1,4	56,91	27,2	51,9	33,5	80			
21	5005	1,2	69,73	27,8	53,7	30,7	80				
62	1683	3,9	23,46	24,1	42,2	37,7	80	SK 7382 - 160 MP/4	338	D109	
54	1930	3,4	26,88	24,8	44,4	37,5	80				
48	2186	3,0	30,42	25,3	46,4	37,2	80				
40	2650	2,5	36,92	26,0	48,2	36,5	80				
31	3346	2,1	46,66	26,9	50,4	35,2	80				
27	3830	1,8	53,38	27,1	51,5	34,1	80				
25	4268	1,7	59,52	27,0	51,8	33,0	80				
21	4886	1,5	68,10	26,9	52,4	31,1	80				
19	5647	1,3	78,81	26,5	52,9	28,2	80				
16	6672	1,1	93,18	21,4	53,7	22,8	80				
14	7638	1,0	106,59	14,0	53,6	14,8	80				
12	8828	0,9	123,37	0	53,0	0	80				
52	2033	4,9	28,33	31,8	54,1	59,9	100	SK 8282 - 160 MP/4	459	D110	
37	2805	3,3	39,11	33,8	60,0	59,5	100				
31	3407	3,1	47,51	35,2	62,8	59,1	100				
25	4260	1,5	59,44	36,1	65,3	58,4	100				
20	5174	1,5	72,21	37,2	68,0	57,4	100				
41	2569	4,7	35,88	33,3	58,8	59,7	100	SK 8382 - 160 MP/4	463	D111	
34	3120	3,4	43,59	34,7	61,7	59,3	100				
31	3427	3,5	47,80	35,0	62,6	59,1	100				
26	4110	2,9	57,43	36,0	64,9	58,5	100				
22	4672	2,4	65,22	36,5	66,4	58,0	100				
19	5428	2,2	75,69	37,0	68,0	57,1	100				
16	6510	1,9	90,94	37,4	69,7	55,6	100				
14	7395	1,6	103,21	37,4	70,6	54,1	100				
12	8495	1,5	118,47	37,1	71,3	51,9	100				
12	8982	1,4	125,38	37,6	72,3	50,8	100				
10	10319	1,2	143,91	37,0	72,6	47,3	100				
9,6	10953	1,2	152,83	35,9	71,7	45,4	100				
7,9	13305	1,0	185,66	34,8	72	36,2	100				
20	5174	4,6	72,19	53,0	95,8	78,4	130	SK 9382 - 160 MP/4	765	D113	
18	5965	4,0	83,19	54,5	99,0	77,9	130				
15	7220	3,5	100,89	56,9	102	77,0	130				
13	8283	3,1	115,57	58,1	102	76,0	130				
11	9727	2,6	135,90	59,4	102	74,5	130				
10	10368	2,3	144,69	59,2	102	73,7	130				
8,4	12550	2,0	175,05	60,9	102	70,6	130				
7,2	14674	1,5	204,68	61,4	102	66,8	130				
5	20861	1,2	291,25	49,9	102	49,9	130				
4,2	25250	1,0	352,36	26,0	102	26,0	130				
7,3	14376	1,7	200,69	47,5	93,5	67,4	130				SK 9382/52 - 160 MP/4
6,3	16728	1,4	233,17	46,7	94,1	62,3	130				
5	21094	1,1	294,54	44,5	93,6	49,0	130				
3,6	29433	0,8	411,63	0	91,7	0	130				

UNICASE™ Parallel shaft gear units


15,0 kW



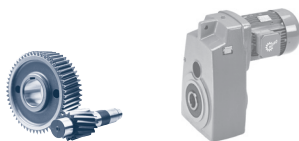
UNICASE™ Parallel shaft gear units

P_1 [kW]	n_2 [r/min]	M_2 [Nm]	f_B	i_{total}	F_R [kN]	F_A	$F_{R VL}$ [kN]	$F_{A VL}$	Type	kg	mm D
15,0	311	461	2,2	4,70	5,8	10,0	13,9	23,0	SK 4282 - 160 LP/4	177	D102
	293	489	2,1	5,00	5,8	10,1	14,0	23,3			
	269	532	1,9	5,43	5,8	10,2	14,3	23,7			
	241	594	2,0	6,06	5,9	10,3	14,2	24,2			
	206	697	1,7	7,13	5,9	10,5	14,0	24,8			
	176	815	1,6	8,33	5,8	10,5	13,7	25,4			
	159	902	1,8	9,23	6,0	11,1	13,4	26,2			
	135	1059	1,6	10,85	5,9	11,1	12,9	26,7			
	116	1238	1,4	12,68	5,6	10,9	12,1	27,1			
	96	1485	1,2	15,20	5,4	10,9	10,8	27,8			
	81	1778	1,0	18,18	5,0	10,4	8,5	28,1			
	68	2098	0,8	21,45	3,9	9,9	3,9	28,4			
		339	422	3,7	4,32	9,0	15,2	19,9			
	292	491	3,5	5,01	9,3	15,9	20,7	34,2			
	278	515	3,4	5,29	9,4	16,2	20,9	34,6			
	258	556	3,2	5,71	9,5	16,6	21,3	35,3			
	231	619	3,4	6,33	9,7	17,1	21,9	36,2			
	204	701	3,1	7,17	9,9	17,7	22	37,3			
	169	850	2,8	8,70	10,2	18,7	21,8	39			
	155	926	2,5	9,46	10,5	19,5	21,7	40			
	137	1049	2,4	10,71	10,6	20,2	21,5	40			
	113	1271	2,1	13,00	10,8	21,3	21,1	40			
	95	1504	1,7	15,38	11,0	22,4	20,5	40			
	83	1722	1,6	17,59	11,0	23,0	19,9	40			
	78	1844	1,4	18,88	11,2	23,7	19,6	40			
	72	1990	1,6	20,36	10,9	23,5	19,1	40			
	59	2440	1,2	25,00	10,9	24,0	17,1	40			
	48	2979	1,0	30,50	10,4	23,8	13,9	40			
	334	428	4,7	4,39	14,0	20,3	30,0	42,0	SK 6282 - 160 LP/4	297	D106
	299	479	4,5	4,88	14,4	21,1	30,7	43,3			
	267	537	4,3	5,50	14,8	21,9	30,7	44,6			
	254	565	4,1	5,78	15,0	22,3	30,6	45,2			
	218	658	4,5	6,74	15,5	23,4	30,6	47,1			
	187	764	3,5	7,82	16,0	24,6	30,5	48,9			
	156	916	3,0	9,39	16,6	26,1	30,4	51,2			
	138	1038	4,2	10,64	17,4	27,6	30,3	53,1			
	119	1207	3,6	12,35	17,8	29,0	30,1	55,1			
	99	1447	3,1	14,83	18,4	30,8	29,8	57,5			
	78	1827	2,4	18,70	19,1	33,4	29,2	60			
	64	2240	2,0	22,95	19,8	36,0	28,3	60			
	56	2544	1,8	26,05	19,9	36,7	27,6	60			
	49	2923	1,6	29,90	20,0	37,3	26,5	60			
	37	3857	0,8	39,48	19,1	37,2	22,8	60			
	29	4868	0,8	49,75	16,2	37,5	16,2	60			
	60	2388	2,0	24,42	19,4	35,8	28,0	60	SK 6382 - 160 LP/4	294	D107
	51	2802	1,6	28,72	19,5	36,4	26,9	60			
	47	3021	1,5	30,91	19,5	36,7	26,2	60			
	40	3546	1,3	36,34	19,3	37,1	24,2	60			
	35	4147	1,1	42,46	18,9	37,2	21,2	60			
	29	4988	1,0	51,07	15,1	36,9	15,1	60			
	25	5833	0,9	59,66	0	36,3	0	60			
	19	7363	0,8	75,18	0	35,2	0	60			



P_1 [kW]	n_2 [r/min]	M_2 [Nm]	f_B	i_{total}	F_R [kN]	F_A	$F_{R VL}$ [kN]	$F_{A VL}$	Type	kg	mm 
15,0	170	845	5,0	8,66	18,2	27,9	38,3	60,9	SK 7282 - 160 LP/4	360	D108
	148	969	4,4	9,92	18,8	29,2	38,3	63,1			
	114	1260	4,7	12,89	20,1	32,2	38,1	67,8			
	90	1591	4,1	16,29	21,2	34,9	37,8	72,0			
	73	1951	3,0	19,97	22,1	37,6	37,4	75,9			
	64	2239	2,6	22,87	22,6	39,3	37,1	78,4			
	54	2629	2,2	26,89	23,1	41,3	36,5	80			
	42	3392	1,7	34,64	23,6	44,5	35,1	80			
	39	3639	1,8	37,27	23,3	44,6	34,6	80			
	33	4406	1,0	45,02	23,0	45,1	32,6	80			
	32	4464	1,3	45,67	23,7	46,2	32,4	80			
	26	5564	1,0	56,91	22,8	46,0	28,5	80			
	21	6825	0,9	69,73	20,5	46,7	21,8	80			
	62	2296	2,9	23,46	22,3	38,9	37,0	78,4	SK 7382 - 160 LP/4	367	D109
	54	2632	2,5	26,88	22,6	40,5	36,5	80			
	48	2981	2,2	30,42	22,9	41,9	35,9	80			
	40	3613	1,8	36,92	23,1	44,1	34,7	80			
	31	4562	1,6	46,66	23,3	45,6	32,1	80			
	27	5223	1,4	53,38	23,0	45,9	29,9	80			
	25	5820	1,2	59,52	22,3	45,5	27,4	80			
	21	6663	1,1	68,10	21,5	45,2	22,8	80			
	19	7700	1,0	78,81	13,3	44,6	14,1	80	SK 8282 - 160 LP/4	488	D110
	16	9098	0,8	93,18	0	44,1	0	80			
	60	2396	4,4	24,50	29,1	48,2	59,8	96,5			
	52	2772	3,6	28,33	29,9	50,7	59,6	100			
	37	3824	2,4	39,11	31,1	56,2	58,8	100			
	31	4645	2,3	47,51	32	58,6	58,0	100			
	25	5809	1,1	59,44	32	59,9	56,6	100	SK 8382 - 160 LP/4	492	D111
	20	7056	1,1	72,21	32,3	61,6	54,7	100			
	48	3015	4,0	30,92	30,1	51,9	59,4	100			
	41	3503	3,4	35,88	30,8	54,6	59,0	100			
	34	4255	2,5	43,59	31,8	57,8	58,4	100			
	31	4673	2,6	47,80	31,7	58,3	58,0	100			
	26	5604	2,2	57,43	32,0	59,7	56,9	100			
	22	6371	1,8	65,22	32,0	60,5	55,8	100			
	19	7402	1,6	75,69	31,8	61,1	54,1	100			
	16	8877	1,4	90,94	31,0	61,4	51,1	100			
	14	10083	1,2	103,21	30,2	61,2	48,0	100			
	12	11584	1,1	118,47	28,9	60,6	43,3	100	SK 9282 - 160 LP/4	789	D112
	12	12248	1,0	125,38	29,1	61,2	40,8	100			
	10	14071	0,9	143,91	27,2	59,9	32,1	100			
	9,6	14937	0,9	152,83	25,3	57,8	26,5	100			
	43	3360	4,8	34,38	35,9	58,7	74,9	95			
	26	5423	4,4	55,49	47,2	85,9	78,3	123,9	SK 9382 - 160 LP/4	794	D113
	22	6369	3,8	65,25	48,5	88,9	77,6	128,6			
	20	7056	3,4	72,19	49,3	90,8	77,1	130			
	18	8134	3,0	83,19	50,2	93,2	76,2	130			
	15	9845	2,6	100,89	51,8	97,1	74,3	130			
	13	11294	2,2	115,57	52,3	99,1	72,5	130			
	11	13264	1,9	135,90	52,6	101,1	69,4	130			


15,0 kW
18,5 kW



P_1 [kW]	n_2 [r/min]	M_2 [Nm]	f_B	i_{total}	F_R [kN]	F_A	$F_{R VL}$ [kN]	$F_{A VL}$	Type	kg	mm
15,0	10	14138	1,7	144,69	51,7	100,5	67,8	130	SK 9382 - 160 LP/4	794	D113
	8,4	17113	1,5	175,05	52,1	102,0	61,4	130			
	7,2	20010	1,1	204,68	51,1	102,0	52,9	130			
	5	28447	0,8	291,25	0	98,8	0	130			
	7,3	19604	1,2	200,69	37,0	79,6	54,3	130	SK 9382/52 - 160 LP/4	868	D117
	6,3	22811	1,1	233,17	34,6	77,9	41,6	130			
5	28764	0,8	294,54	0	73,2	0	130				
18,5	314	563	1,8	4,70	5,3	9,0	13,4	22,2	SK 4282 - 180 MP/4	210	D102
	296	597	1,7	5,00	5,3	9,1	13,6	22,4			
	272	650	1,6	5,43	5,3	9,1	13,8	22,7			
	244	725	1,7	6,06	5,2	9,1	13,9	23,1			
	208	851	1,4	7,13	5,1	9,1	13,6	23,6			
	178	995	1,3	8,33	4,9	8,9	13,1	24			
	160	1102	1,5	9,23	5,1	9,4	12,7	24,8			
	137	1293	1,3	10,85	4,8	9,0	11,8	25,1			
	117	1512	1,2	12,68	4,4	8,5	10,6	25,2			
	97	1813	1,0	15,20	4,0	8,0	8,1	25,6			
	81	2170	0,8	18,18	1,1	7,0	1,1	25,5			
	343	515	3,0	4,32	8,6	14,6	19,6	32,3			
	295	599	2,8	5,01	8,9	15,2	20,3	33,5			
	281	629	2,8	5,29	8,9	15,4	20,5	33,9			
	260	679	2,7	5,71	9	15,7	20,9	34,5			
	234	756	2,8	6,33	9,2	16,2	21,3	35,4			
	206	856	2,5	7,17	9,3	16,7	21,8	36,4			
	170	1037	2,3	8,70	9,4	17,4	21,5	37,9			
	156	1131	2,0	9,46	9,7	18,1	21,3	38,9			
	138	1280	2,0	10,71	9,8	18,6	21,1	39,9			
	114	1552	1,7	13,00	9,8	19,3	20,4	40			
	96	1836	1,4	15,38	9,8	19,9	19,6	40			
	84	2102	1,3	17,59	9,6	20,2	18,6	40			
	78	2252	1,2	18,88	9,8	20,8	18,0	40			
	73	2430	1,3	20,36	9,4	20,3	17,2	40			
	59	2979	1,0	25,00	9,1	20,7	13,9	40			
	338	523	3,9	4,39	13,6	19,7	29,6	41,5	SK 6282 - 180 MP/4	330	D106
302	584	3,7	4,88	13,9	20,4	30,4	42,7				
270	655	3,5	5,50	14,3	21,2	30,6	44				
256	689	3,4	5,78	14,4	21,5	30,6	44,5				
247	715	3,3	5,99	14,5	21,8	30,6	45				
220	803	3,7	6,74	14,9	22,5	30,5	46,3				
189	933	2,9	7,82	15,3	23,6	30,4	48				
158	1119	2,5	9,39	15,8	24,8	30,2	50,1				
139	1268	3,4	10,64	16,5	26,3	30,0	52				
120	1473	3,0	12,35	16,9	27,4	29,8	53,8				
100	1767	2,5	14,83	17,2	28,8	29,3	56				
79	2230	2,0	18,70	17,7	30,8	28,4	58,9				
65	2734	1,7	22,95	18,1	32,7	27,1	60				
57	3106	1,5	26,05	18,0	33,6	25,9	60				
50	3568	1,3	29,90	17,8	34,3	24,1	60				
61	2915	1,6	24,42	17,5	32,1	26,5	60	SK 6382 - 180 MP/4	327	D107	
52	3421	1,3	28,72	17,3	32,9	24,7	60				
48	3688	1,2	30,91	17,1	33,1	23,6	60				
41	4329	1,1	36,34	16,5	33,3	20,2	60				
35	5063	0,9	42,46	14,4	32,9	14,4	60				
29	6089	0,8	51,07	0	31,8	0	60				

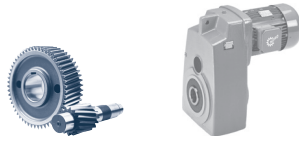
UNICASE™ Parallel shaft gear units



P_1 [kW]	n_2 [r/min]	M_2 [Nm]	f_B	i_{total}	F_R [kN]	F_A	$F_{R VL}$ [kN]	$F_{A VL}$ [kN]	Type	kg	mm 
18,5	171	1031	4,1	8,66	17,5	26,9	38,2	60	SK 7282 - 180 MP/4	393	D108
	149	1183	3,6	9,92	18,0	28,1	38,1	62,1			
	132	1334	4,7	11,16	18,7	29,5	38	64,3			
	115	1538	3,8	12,89	19,2	30,8	37,8	66,6			
	91	1942	3,3	16,29	20,0	33,1	37,4	70,6			
	74	2382	2,4	19,97	20,8	35,4	36,9	74,2			
	65	2733	2,1	22,87	21,1	36,7	36,4	76,4			
	55	3210	1,8	26,89	21,3	38,1	35,5	79,1			
43	4141	1,4	34,64	21,4	40,2	33,3	80				
63	2803	2,4	23,46	20,7	36,1	36,2	76,3	SK 7382 - 180 MP/4	400	D109	
55	3214	2,1	26,88	20,8	37,2	35,5	78,5				
49	3639	1,8	30,42	20,8	38,1	34,6	80				
40	4411	1,5	36,92	20,6	39,2	32,6	80				
32	5570	1,3	46,66	20,2	40,7	28,5	80				
28	6377	1,1	53,38	19,5	40,8	24,6	80				
25	7105	1,0	59,52	18,2	39,6	19,8	80				
22	8134	0,9	68,10	6,7	38,7	7,1	80				
85	2078	4,7	17,40	25,9	40,8	59,8	86,9	SK 8282 - 180 MP/4	521	D110	
70	2524	4,2	21,13	27,0	43,7	59,7	91,3				
60	2925	3,6	24,50	27,6	45,7	59,5	94,6				
52	3384	3,0	28,33	28,2	47,7	59,1	97,8				
48	3681	3,3	30,92	28,2	48,5	58,9	99,4	SK 8382 - 180 MP/4	525	D111	
41	4277	2,8	35,88	28,6	50,5	58,4	100				
34	5194	2,0	43,59	29,2	53,7	57,4	100				
31	5705	2,1	47,80	28,8	54,1	56,7	100				
26	6842	1,8	57,43	28,5	55,1	55,0	100				
23	7777	1,5	65,22	28,1	55,3	53,4	100				
20	9036	1,3	75,69	27,2	55,1	50,7	100				
16	10837	1,1	90,94	25,6	54,3	45,8	100				
14	12310	1,0	103,21	24,1	53,1	40,6	100				
12	14143	0,9	118,47	21,9	51,3	31,7	100				
12	14953	0,8	125,38	21,8	51,7	26,4	100				
48	3675	4,9	30,79	33,6	54,2	71,5	90,8	SK 9282 - 180 MP/4	822	D112	
43	4102	4,0	34,38	34,3	56,2	73,4	93,3				
35	5006	4,8	41,93	42,7	77,8	78,5	113,5	SK 9382 - 180 MP/4	827	D113	
31	5771	4,2	48,44	43,7	80,2	78,1	117,4				
27	6620	3,6	55,49	44,6	82,4	77,5	121				
23	7775	3,1	65,25	45,5	84,8	76,5	125,3				
21	8614	2,8	72,19	45,9	86,3	75,7	128				
18	9930	2,4	83,19	46,4	88,1	74,2	130				
15	12020	2,1	100,89	47,4	91,1	71,4	130				
13	13789	1,8	115,57	47,3	92,3	68,5	130				
11	16194	1,6	135,90	46,7	93,2	63,6	130				
10	17261	1,4	144,69	45,2	91,8	61,0	130				
8,5	20892	1,2	175,05	44,5	93,1	49,8	130				
7,4	23933	1,0	200,69	28,2	67,7	35,5	122,4	SK 9382/52 - 180 MP/4	901	D117	
6,3	27848	0,9	233,17	0	64,1	0	122,3				

UNICASE™ Parallel shaft gear units


22,0 kW



UNICASE™ Parallel shaft gear units

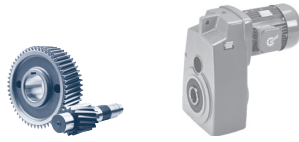
P_1 [kW]	n_2 [r/min]	M_2 [Nm]	f_B	i_{total}	F_R [kN]	F_A	$F_{R VL}$ [kN]	$F_{A VL}$	Type	kg	mm D
22,0	313	671	1,5	4,70	4,8	8,1	13,0	21,5	SK 4282 - 180 LP/4	210	D102
	295	712	1,5	5,00	4,8	8,1	13,1	21,6			
	271	775	1,3	5,43	4,7	8,1	13,3	21,9			
	243	865	1,4	6,06	4,6	8,0	13,4	22,1			
	207	1015	1,2	7,13	4,3	7,7	13,0	22,5			
	177	1187	1,1	8,33	4,0	7,3	12,3	22,6			
	160	1314	1,2	9,23	4,2	7,7	11,7	23,4			
	136	1543	1,1	10,85	3,7	7,0	10,4	23,4			
	116	1804	1,0	12,68	3,1	6,1	8,2	23,3			
	97	2164	0,8	15,20	1,6	5,3	1,6	23,3			
	342	615	2,5	4,32	8,3	14,0	19,3	31,9	SK 5282 - 180 LP/4	246	D104
	294	715	2,4	5,01	8,4	14,6	19,9	33			
	280	751	2,3	5,29	8,5	14,7	20,1	33,4			
	259	810	2,2	5,71	8,6	15,0	20,4	33,9			
	233	902	2,3	6,33	8,6	15,3	20,9	34,7			
	206	1021	2,1	7,17	8,7	15,7	21,4	35,6			
	170	1238	1,9	8,70	8,7	16,2	21,1	37			
	156	1349	1,7	9,46	9,0	16,9	20,9	37,9			
	138	1528	1,6	10,71	8,9	17,1	20,5	38,7			
	113	1852	1,4	13,00	8,8	17,4	19,5	40			
	96	2191	1,2	15,38	8,6	17,7	18,3	40			
	84	2509	1,1	17,59	8,3	17,6	16,8	40			
	78	2687	1,0	18,88	8,4	18,0	15,8	40			
	72	2899	1,1	20,36	7,8	17,3	14,5	40			
	59	3555	0,8	25,00	7,2	17,0	8,0	40			
	337	624	3,3	4,39	13,2	19,2	29,3	41,1	SK 6282 - 180 LP/4	330	D106
	301	697	3,1	4,88	13,5	19,9	30,1	42,3			
	269	782	2,9	5,50	13,8	20,6	30,5	43,5			
	255	823	2,8	5,78	14,0	20,9	30,5	44			
	246	853	2,8	5,99	14,0	21,1	30,5	44,4			
	219	958	3,1	6,74	14,3	21,8	30,4	45,7			
	189	1113	2,4	7,82	14,7	22,6	30,2	47,3			
	157	1335	2,1	9,39	15,0	23,7	29,9	49,2			
	139	1513	2,9	10,64	15,7	25,1	29,7	51,1			
	120	1758	2,5	12,35	15,9	26,0	29,3	52,8			
	100	2108	2,1	14,83	16,1	27,0	28,6	54,7			
	79	2661	1,7	18,70	16,3	28,4	27,3	57,4			
	64	3262	1,4	22,95	16,4	29,8	25,3	59,7			
	57	3706	1,2	26,05	16,1	30,1	23,5	60			
	49	4257	1,1	29,90	15,6	30,3	20,6	60			
	60	3478	1,3	24,42	15,6	28,8	24,5	59,5	SK 6382 - 180 LP/4	327	D107
	51	4082	1,1	28,72	15,0	28,9	21,6	60			
	48	4401	1,0	30,91	14,6	28,8	19,7	60			
	41	5166	0,9	36,34	13,3	28,2	13,3	60			
	233	903	4,9	6,36	15,9	23,9	38,3	54,9	SK 7282 - 180 LP/4	393	D108
	197	1068	4,2	7,49	16,5	25,0	38,2	57,3			
	171	1231	3,4	8,66	16,9	26,1	38,1	59,3			
	156	1347	4,6	9,48	17,5	27,2	38,0	61,0			
	149	1412	3,0	9,92	17,3	27,0	38,0	61,3			
	132	1592	3,9	11,16	18,0	28,4	37,8	63,5			
	114	1835	3,2	12,89	18,3	29,5	37,6	65,6			
	91	2317	2,8	16,29	19,0	31,5	37,0	69,3			



P_1 [kW]	n_2 [r/min]	M_2 [Nm]	f_B	i_{total}	F_R [kN]	F_A [kN]	$F_{R VL}$ [kN]	$F_{A VL}$ [kN]	Type	kg	mm 
22,0	74	2843	2,0	19,97	19,5	33,3	36,2	72,7	SK 7282 - 180 LP/4	393	D108
	64	3261	1,8	22,87	19,6	34,3	35,4	74,7			
	55	3830	1,5	26,89	19,6	35,2	34,1	77,1			
	43	4941	1,2	34,64	19,1	36,2	30,9	80			
	63	3344	2,0	23,46	19,1	33,5	35,2	74,5	SK 7382 - 180 LP/4	400	D109
	55	3835	1,7	26,88	18,9	34,1	34,1	76,3			
	48	4342	1,5	30,42	18,7	34,5	32,8	77,9			
	40	5263	1,3	36,92	18,0	34,8	29,7	80			
	32	6646	1,1	46,66	17,0	35,0	23,0	80			
	28	7609	0,9	53,38	14,3	34,2	15,2	80			
	25	8478	0,8	59,52	0	32,1	0	80			
	153	1377	4,7	9,67	21,9	32,6	50,8	73,8	SK 8282 - 180 LP/4	521	D110
	97	2163	4,4	15,18	24,3	37,8	57,0	83			
	85	2479	3,9	17,40	24,9	39,3	58,9	85,8			
	70	3011	3,5	21,13	25,8	41,8	59,4	89,9			
	60	3490	3,0	24,50	26,2	43,5	59,1	93			
	52	4038	2,5	28,33	26,5	45,1	58,6	95,9			
	48	4392	2,8	30,92	26,4	45,5	58,3	97,3	SK 8382 - 180 LP/4	525	D111
	41	5103	2,4	35,88	26,4	46,8	57,5	100			
	34	6198	1,7	43,59	26,6	49,0	56,0	100			
	31	6807	1,8	47,80	25,9	48,8	55,1	100			
	26	8164	1,5	57,43	25,1	49,4	52,6	100			
	23	9280	1,2	65,22	24,1	49,3	50,1	100			
	19	10783	1,1	75,69	22,6	48,6	46,0	100			
	16	12931	0,9	90,94	20,1	46,5	37,9	100			
	14	14689	0,8	103,21	17,8	44,1	28,3	100			
	64	3300	5,0	23,15	30,7	48,1	65,9	83,6	SK 9282 - 180 LP/4	822	D112
	55	3824	4,5	26,89	31,6	50,2	68,2	86,7			
	48	4386	4,1	30,79	32,3	52,3	70,4	89,5			
	43	4894	3,3	34,38	32,9	53,9	72,1	91,8			
	42	5055	4,7	35,61	39,8	70,5	78,5	107,5	SK 9382 - 180 LP/4	827	D113
	35	5973	4,0	41,93	40,8	74,8	77,9	111,7			
	31	6886	3,5	48,44	41,6	77,3	77,3	115,2			
	27	7899	3,0	55,49	42,1	79,1	76,4	118,5			
	23	9277	2,6	65,25	42,6	81,0	75,0	122,3			
	20	10279	2,3	72,19	42,7	82,0	73,8	124,7			
	18	11849	2,0	83,19	42,6	83,1	71,7	127,8			
	15	14342	1,8	100,89	43,0	85,3	67,4	130			
	13	16453	1,5	115,57	42,2	85,6	63,0	130			
	11	19322	1,3	135,90	40,7	85,3	55,2	130			
	10	20596	1,2	144,69	38,6	83,1	50,9	130			
	8,4	24929	1,0	175,05	28,6	82,9	28,6	130			

UNICASE™ Parallel shaft gear units


30,0 kW



UNICASE™ Parallel shaft gear units

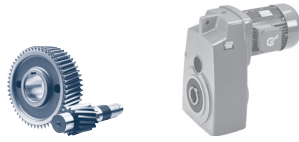
P_1 [kW]	n_2 [r/min]	M_2 [Nm]	f_B	i_{total}	F_R [kN]	F_A	$F_{R VL}$ [kN]	$F_{A VL}$	Type	kg	mm 			
30,0	344	832	1,9	4,32	7,4	12,7	18,5	30,7	SK 5282 - 225 RP/4	406	D104			
	296	969	1,8	5,01	7,5	13,0	19,0	31,7						
	282	1017	1,7	5,29	7,5	13,1	19,2	32,0						
	261	1097	1,6	5,71	7,5	13,2	19,4	32,4						
	235	1221	1,7	6,33	7,4	13,4	19,8	33,0						
	207	1383	1,6	7,17	7,3	13,5	20,1	33,7						
	171	1677	1,4	8,70	7,1	13,4	20,1	34,7						
	157	1827	1,3	9,46	7,3	14,0	19,6	35,6						
	138	2069	1,2	10,71	7,0	13,9	18,8	36,1						
	114	2508	1,0	13,00	6,4	13,4	16,8	36,8						
	97	2968	0,9	15,38	5,9	13,1	14,0	37,4						
	339	845	2,4	4,39	12,3	18,1	28,4	40,1	SK 6282 - 225 RP/4	490	D106			
	303	945	2,3	4,88	12,5	18,6	29,2	41,1						
	271	1059	2,2	5,50	12,7	19,1	29,9	42,2						
	257	1114	2,1	5,78	12,8	19,3	30,2	42,7						
	248	1156	2,1	5,99	12,9	19,5	30,2	43,0						
	221	1297	2,3	6,74	13,0	19,9	30,0	44,1						
	190	1507	1,8	7,82	13,1	20,5	29,7	45,5						
	158	1808	1,5	9,39	13,2	21,0	29,2	47,1						
	140	2049	2,1	10,64	13,8	22,3	28,8	48,9						
	120	2381	1,8	12,35	13,7	22,7	28,0	50,2						
	100	2855	1,6	14,83	13,4	23,0	26,7	51,7						
	79	3604	1,2	18,70	13,0	23,3	23,9	53,6	SK 7282 - 225 RP/4	553	D108			
	65	4419	1,0	22,95	12,5	23,6	19,6	55,2						
	348	823	4,4	4,26	13,8	19,5	34,2	48,5						
	280	1023	4,0	5,30	14,4	21,0	36,0	51,3						
	234	1224	3,6	6,36	14,8	22,3	37,6	53,5						
	198	1446	3,1	7,49	15,2	23,3	37,9	55,7						
	172	1667	2,5	8,66	15,4	24,0	37,7	57,5						
	157	1825	3,4	9,48	16,0	25,0	37,6	59,1						
	150	1912	2,2	9,92	15,6	24,7	37,5	59,2						
	133	2156	2,9	11,16	16,2	25,9	37,2	61,3						
	115	2486	2,4	12,89	16,3	26,5	36,7	63,1						
	91	3139	2,1	16,29	16,5	27,7	35,6	66,3	SK 7382 - 225 RP/4	560	D109			
	74	3850	1,5	19,97	16,6	28,8	34,1	69,1						
	65	4417	1,3	22,87	16,3	29,0	32,6	70,7						
	55	5187	1,1	26,89	15,6	28,9	30,0	72,3						
	63	4530	1,5	23,46	15,4	27,8	32,2	70,0						
	55	5194	1,3	26,88	14,8	27,5	30,0	71,3						
	49	5881	1,1	30,42	14,0	27,0	27,1	72,2						
	40	7129	0,9	36,92	12,3	25,6	19,6	73,3						
	180	1595	4,6	8,26	20,0	29,4	47,7	69,3				SK 8282 - 225 RP/4	681	D110
	154	1865	3,5	9,67	20,5	30,6	49,4	72,0						
	137	2099	4,9	10,86	21,3	32,1	51,1	74,5						
	114	2505	4,1	12,96	21,8	33,5	53,2	77,6						
	98	2930	3,2	15,18	22,2	34,8	55,0	80,4						
	85	3358	2,9	17,40	22,5	35,8	56,6	82,8						
	70	4079	2,6	21,13	22,9	37,5	58,6	86,5						
	61	4728	2,2	24,50	22,9	38,4	57,9	89,0						
	52	5469	1,8	28,33	22,7	39,0	57,0	91,3						



P_1 [kW]	n_2 [r/min]	M_2 [Nm]	f_B	i_{total}	F_R [kN]	F_A	$F_{R VL}$ [kN]	$F_{A VL}$ [kN]	Type	kg	mm 			
30,0	48	5949	2,0	30,92	22,1	38,7	56,4	92,1	SK 8382 - 225 RP/4	685	D111			
	41	6912	1,7	35,88	21,5	38,9	54,9	94,2						
	34	8395	1,3	43,59	20,8	39,3	52,1	97,2						
	31	9220	1,3	47,80	19,4	37,9	50,3	97,4						
	26	11057	1,1	57,43	17,2	36,1	45,1	98,7						
	23	12570	0,9	65,22	15,3	34,2	39,5	99,2						
	20	14604	0,8	75,69	12,3	31,1	28,8	99,2						
	86	3345	4,6	17,33	26,8	41,1	59,4	75,6	SK 9282 - 225 RP/4	982	D112			
	74	3876	4,1	20,13	27,5	42,7	61,4	78,2						
	64	4470	3,7	23,15	28,4	44,7	63,7	81,1						
	55	5180	3,3	26,89	28,9	46,3	65,7	83,8						
	48	5940	3,0	30,79	29,3	47,7	67,5	86,2						
	43	6629	2,5	34,38	29,4	48,8	68,9	88,1						
	42	6847	3,5	35,61	36,1	63,9	77,3	103,5	SK 9382 - 225 RP/4	987	D113			
	35	8091	3,0	41,93	36,5	66,6	76,2	107						
	31	9327	2,6	48,44	36,6	68,8	74,9	109,8						
	27	10699	2,2	55,49	36,4	70,6	73,3	112,4						
	23	12565	1,9	65,25	35,9	72,0	70,6	115,2						
	21	13922	1,7	72,19	35,3	72,1	68,2	116,8						
	18	16049	1,5	83,19	34,1	71,7	63,9	118,7						
	15	19426	1,3	100,89	33,0	72,0	54,9	122,1						
13	22284	1,1	115,57	30,8	70,4	44,0	123,1							
11	26171	1,0	135,90	15,9	67,4	15,9	123,6							
37,0	344	1027	1,5	4,32	6,7	11,7	17,8	29,8	SK 5282 - 225 SP/4	421	D104			
	296	1195	1,4	5,01	6,6	11,8	18,2	30,6						
	282	1254	1,4	5,29	6,6	11,8	18,4	30,8						
	261	1353	1,3	5,71	6,5	11,8	18,6	31,2						
	235	1506	1,4	6,33	6,4	11,7	18,8	31,6						
	207	1706	1,3	7,17	6,1	11,6	19,0	32,1						
	171	2068	1,1	8,70	5,6	11,2	18,8	32,8						
	157	2254	1,0	9,46	5,8	11,6	18,0	33,6						
	138	2552	1,0	10,71	5,3	11,2	16,6	33,9						
	114	3093	0,8	13,00	4,4	10,2	13,0	34,0						
	339	1042	2,0	4,39	11,6	16,9	27,8	39,2				SK 6282 - 225 SP/4	505	D106
	303	1165	1,9	4,88	11,7	17,4	28,4	40,2						
	271	1306	1,8	5,50	11,8	17,8	29,1	41,1						
	257	1374	1,7	5,78	11,8	18,0	29,3	41,5						
	248	1426	1,7	5,99	11,9	18,1	29,5	41,9						
	221	1600	1,9	6,74	11,9	18,4	29,6	42,8						
	190	1859	1,4	7,82	11,8	18,7	29,1	44,0						
	158	2230	1,2	9,39	11,6	18,8	28,4	45,3						
	140	2527	1,7	10,64	12,1	20,0	27,6	47,0						
	120	2936	1,5	12,35	11,8	19,9	26,4	48,0						
	100	3521	1,3	14,83	11,1	19,6	24,3	49,0						
79	4445	1,0	18,70	10,2	19,2	19,4	50,3							
65	5450	0,8	22,95	9,2	18,6	9,5	51,4							
348	1015	3,6	4,26	13,2	18,6	33,6	47,8	SK 7282 - 225 SP/4	568	D108				
280	1261	3,2	5,30	13,6	19,8	35,3	50,3							
234	1509	2,9	6,36	13,9	20,8	36,7	52,4							
198	1783	2,5	7,49	14,1	21,7	37,6	54,4							
172	2056	2,1	8,66	14,2	22,3	37,3	56							

UNICASE™ Parallel shaft gear units


37,0 kW



UNICASE™ Parallel shaft gear units

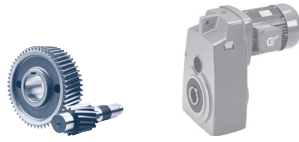
P_1 [kW]	n_2 [r/min]	M_2 [Nm]	f_B	i_{total}	F_R [kN]	F_A	$F_{R VL}$ [kN]	$F_{A VL}$	Type	kg	mm
37,0	157	2251	2,8	9,48	14,7	23,3	37,1	57,6	SK 7282 - 225 SP/4	568	D108
	150	2358	1,8	9,92	14,2	22,7	36,9	57,5			
	133	2659	2,3	11,16	14,7	23,8	36,5	59,5			
	115	3066	1,9	12,89	14,6	24,1	35,8	61,1			
	91	3871	1,7	16,29	14,3	24,6	34,0	63,7			
	74	4749	1,2	19,97	14,0	25,0	31,5	66,1			
	65	5448	1,1	22,87	13,3	24,6	29,0	67,2			
55	6398	0,9	26,89	12,2	23,7	24,4	68,2				
63	5586	1,2	23,46	12,2	23,1	28,4	66,3	SK 7382 - 225 SP/4	575	D109	
55	6406	1,0	26,88	11,1	22,1	24,4	66,9				
49	7254	0,9	30,42	9,8	20,9	18,5	67,3				
329	1075	4,5	4,52	17,0	22,9	40,4	58,7	SK 8282 - 225 SP/4	696	D110	
214	1648	4,1	6,92	18,4	26,4	44,8	65,3				
180	1967	3,7	8,26	18,9	27,9	46,7	68,1				
154	2301	2,8	9,67	19,3	29,0	48,3	70,6				
137	2588	4,0	10,86	19,9	30,3	49,9	73,0				
114	3090	3,3	12,96	20,2	31,4	51,8	75,8				
98	3613	2,6	15,18	20,4	32,2	53,4	78,3				
85	4142	2,3	17,40	20,4	32,8	54,7	80,3				
70	5030	2,1	21,13	20,4	33,9	56,7	83,5				
61	5831	1,8	24,50	20,0	34,2	56,6	85,6				
52	6745	1,5	28,33	19,4	34,1	55,2	87,4				
48	7337	1,6	30,92	18,4	33,2	54,2	87,8	SK 8382 - 225 SP/4	700	D111	
41	8524	1,4	35,88	17,2	32,4	51,8	89,1				
34	10354	1,0	43,59	15,7	31,6	47,2	91,2				
31	11371	1,1	47,80	13,7	29,2	44,0	90,7				
26	13638	0,9	57,43	10,4	25,8	34,5	90,6				
145	2429	4,4	10,18	22,9	32,6	51,2	64,9	SK 9282 - 225 SP/4	997	D112	
123	2865	4,8	12,01	24,0	35,0	53,5	68,0				
101	3496	4,2	14,70	24,7	37,4	56,0	71,2				
86	4126	3,8	17,33	25,3	39,0	58,0	73,9				
74	4781	3,3	20,13	25,7	40,2	59,8	76,3				
64	5513	3,0	23,15	26,4	41,9	61,9	79,1				
55	6388	2,7	26,89	26,6	43,0	63,6	81,4				
48	7326	2,4	30,79	26,6	43,9	65,1	83,5				
43	8176	2,0	34,38	26,5	44,5	66,2	85,1				
42	8444	2,8	35,61	32,9	58,5	75,9	100,2	SK 9382 - 225 SP/4	1002	D113	
35	9979	2,4	41,93	32,7	60,1	74,2	103,1				
31	11503	2,1	48,44	32,2	61,0	72,2	105,3				
27	13196	1,8	55,49	31,4	61,5	69,5	107,2				
23	15497	1,6	65,25	30,0	61,4	65,1	109,1				
21	17170	1,4	72,19	28,8	60,8	61,2	110,1				
18	19794	1,2	83,19	26,6	59,2	53,7	111				
15	23958	1,1	100,89	24,3	58,3	35,3	113				
13	27484	0,9	115,57	0	54,6	0	112,7				



P_1 [kW]	n_2 [r/min]	M_2 [Nm]	f_B	i_{total}	F_R [kN]	F_A	$F_{R VL}$ [kN]	$F_{A VL}$ [kN]	Type	kg	mm 
45,0	339	1268	1,6	4,39	10,7	15,6	27,0	38,2	SK 6282 - 225 MP/4	540	D106
	303	1417	1,5	4,88	10,8	16,0	27,5	39,1			
	271	1588	1,4	5,50	10,8	16,3	28,1	39,9			
	257	1671	1,4	5,78	10,7	16,4	28,3	40,3			
	248	1734	1,4	5,99	10,7	16,5	28,5	40,5			
	221	1946	1,5	6,74	10,6	16,7	29,0	41,3			
	190	2261	1,2	7,82	10,3	16,6	28,3	42,2			
	140	3073	1,4	10,64	10,2	17,4	26,0	44,8			
	120	3571	1,2	12,35	9,6	16,9	24,1	45,5			
	348	1234	2,9	4,26	12,5	17,6	32,9	47,0	SK 7282 - 225 MP/4	603	D108
	295	1457	2,7	5,04	12,7	18,3	34,1	48,7			
	280	1534	2,6	5,30	12,7	18,5	34,5	49,3			
	249	1724	2,5	5,98	12,8	19,0	35,3	50,5			
	234	1836	2,4	6,36	12,8	19,2	35,7	51,2			
	198	2169	2,1	7,49	12,8	19,7	36,9	52,9			
	172	2500	1,7	8,66	12,7	20,1	36,7	54,3			
	157	2737	2,3	9,48	13,2	21,3	36,4	55,9			
	150	2868	1,5	9,92	12,5	20,3	36,1	55,5			
	133	3234	1,9	11,16	12,9	21,4	35,5	57,5			
	115	3729	1,6	12,89	12,6	21,3	34,4	58,7			
	91	4708	1,4	16,29	11,8	21,1	31,7	60,8			
	74	5776	1,0	19,97	11,1	20,9	27,6	62,6			
	65	6626	0,9	22,87	9,9	19,8	23,1	63,2			
	63	6794	1,0	23,46	8,6	18,0	22	61,9	SK 7382 - 225 MP/4	610	D109
	55	7791	0,8	26,88	6,9	16,3	13	62,0			
	329	1307	3,7	4,52	16,3	22,0	39,8	57,9	SK 8282 - 225 MP/4	731	D110
	214	2004	3,4	6,92	17,4	24,9	43,9	64,1			
	180	2393	3,0	8,26	17,7	26,1	45,6	66,7			
	154	2798	2,3	9,67	17,8	27,0	47,0	68,9			
	137	3148	3,3	10,86	18,5	28,3	48,6	71,2			
	114	3758	2,7	12,96	18,5	29,0	50,2	73,7			
	98	4394	2,2	15,18	18,3	29,4	51,5	75,8			
	85	5037	1,9	17,40	18,0	29,5	52,5	77,5			
	70	6118	1,7	21,13	17,6	29,9	54,2	80,2			
	61	7092	1,5	24,50	16,8	29,5	54,6	81,7			
	48	8923	1,4	30,92	14,2	27,2	51,0	82,8	SK 8382 - 225 MP/4	735	D111
	41	10367	1,2	35,88	12,3	25,4	47,2	83,3			
	34	12593	0,8	43,59	9,9	23,3	39,4	84,3			
	31	13830	0,9	47,80	7,1	20,1	33,5	82,9			
	210	2051	4,9	7,06	20,5	27,9	46,1	58,5	SK 9282 - 225 MP/4	1032	D112
	172	2503	4,5	8,64	21,2	29,6	48,3	61,4			
	145	2954	3,7	10,18	21,8	31,0	50,1	63,8			
	123	3484	4,0	12,01	22,7	33,2	52,4	66,7			
	101	4252	3,5	14,70	23,2	35,1	54,6	69,7			
	86	5018	3,1	17,33	23,5	36,6	56,4	72,1			
	74	5814	2,7	20,13	23,6	37,4	57,9	74,2			
	64	6705	2,4	23,15	24,1	38,8	59,8	76,7			
	55	7770	2,2	26,89	23,9	39,4	61,2	78,7			
	48	8910	2,0	30,79	23,6	39,7	62,3	80,3			
	43	9944	1,6	34,38	23,1	39,7	63,1	81,6			

UNICASE™ Parallel shaft gear units

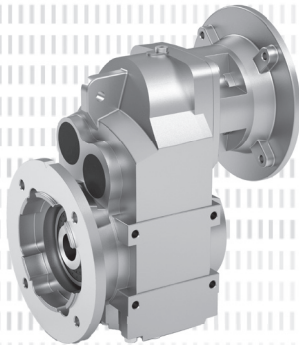
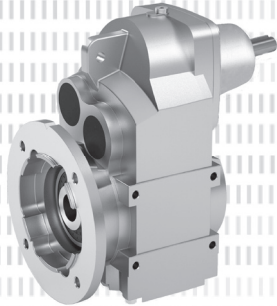
45,0 kW
55,0 kW



P_1 [kW]	n_2 [r/min]	M_2 [Nm]	f_B	i_{total}	F_R [kN]	F_A	$F_{R VL}$ [kN]	$F_{A VL}$	Type	kg	mm 			
45,0	42	10270	2,3	35,61	29,3	52,7	73,8	96,4	SK 9382 - 225 WP/4	1037	D113			
	35	12136	2,0	41,93	28,4	53,0	71,2	98,6						
	31	13990	1,7	48,44	27,3	52,8	68,1	100,2						
	27	16049	1,5	55,49	25,8	51,9	63,9	101,3						
	21	20883	1,1	72,19	21,4	48,2	49,8	102,3						
	18	24073	1,0	83,19	18,1	44,8	34,6	102,1						
	15	29139	0,9	100,89	0	41,3	0	102,6						
55,0	328	1603	3,0	4,52	15,5	20,9	39,1	57,0	SK 8282 - 250 WP/4	766	D110			
	214	2458	2,8	6,92	16,1	23,1	42,8	62,6						
	179	2934	2,5	8,26	16,2	23,8	44,2	64,9						
	153	3431	1,9	9,67	16,1	24,3	45,4	66,8						
	136	3861	2,7	10,86	16,6	25,7	46,9	69,0						
	114	4609	2,2	12,96	16,2	26,0	48,2	71,1						
	97	5389	1,8	15,18	15,7	25,9	49,1	72,8						
	85	6177	1,6	17,40	15,0	25,5	49,8	74,0						
	70	7503	1,4	21,13	14,0	25,1	51,0	76,1						
	60	8697	1,2	24,50	12,6	23,9	51,2	76,9						
	276	1901	4,4	5,34	18,6	24,6	42,4	53,8				SK 9282 - 250 WP/4	1067	D112
	256	2052	4,3	5,78	18,9	25,2	43,2	54,8						
	209	2515	4,0	7,06	19,5	26,6	45,3	57,5						
	171	3069	3,6	8,64	20,0	28,0	47,3	60,2						
145	3622	3,0	10,18	20,4	29,1	48,9	62,3							
123	4273	3,2	12,01	21,2	31,0	51,0	65,2							
101	5214	2,8	14,70	21,4	32,2	52,9	67,8							
85	6153	2,5	17,33	21,3	33,1	54,4	69,8							
74	7130	2,2	20,13	21,0	33,7	55,6	71,5							
64	8223	2,0	23,15	21,3	35,0	57,2	73,8							
55	9528	1,8	26,89	20,6	34,9	58,2	75,3							
48	10927	1,6	30,79	19,8	34,5	58,9	76,4							
43	12195	1,3	34,38	18,9	33,9	59,3	77,2							
45,0	42	12595	1,9	35,61	24,7	45,7	70,5	91,7	SK 9382 - 250 WP/4	1072	D113			
	35	14883	1,6	41,93	23,0	44,7	66,4	93						
	31	17157	1,4	48,44	21,0	43,1	61,3	93,7						
	27	19682	1,2	55,49	18,6	40,8	54,0	93,9						
	21	25610	0,9	72,19	12,1	33,9	22,6	92,7						
	18	29522	0,8	83,19	0	28,5	0	90,9						

UNICASE™ Parallel
shaft gear units

UNICASE™ Parallel shaft gear units



SK 0182.1



	i_{Total}	n_2 $n_1 =$ 1400 r/min [r/min]	M_{2max} $f_B = 1$ [Nm]	W			IEC							
				P_{1max}			$f_B \Rightarrow$ D4 - 60							
				$n_1 =$ 1400 r/min [kW]	$n_1 =$ 930 r/min [kW]	$n_1 =$ 700 r/min [kW]	IEC 63	IEC 71	IEC 80					
SK 0182.1	153,54	9,1	110	0,11	0,07	0,056	*	*	*					
	147,93	9,5	110	0,11	0,072	0,058	*	*	*					
	131,56	11	110	0,12	0,081	0,066	*	*	*					
W	111,02	13	110	0,15	0,1	0,078	*	*	*					
\downarrow mm	95,13	15	110	0,17	0,11	0,09	*	*	*					
\downarrow mm	86,80	16	110	0,19	0,12	0,1		*	*					
\downarrow mm	74,73	19	110	0,22	0,14	0,12		*	*					
\downarrow mm	64,03	22	110	0,25	0,17	0,13		*	*					
IEC	58,43	24	130	0,33	0,22	0,17		*	*					
\downarrow mm	49,46	28	130	0,39	0,26	0,21			*					
\downarrow mm	43,98	32	130	0,43	0,29	0,23			*					
\downarrow mm	38,61	36	130	0,49	0,33	0,26			*					
\downarrow mm	34,13	41	130	0,56	0,37	0,3			*					
	31,80	44	130	0,6	0,4	0,32			*					
	27,92	50	130	0,68	0,45	0,37			*					
	24,68	57	130	0,75	0,5	0,4								
	22,43	62	120	0,75	0,5	0,4								
	19,83	71	120	0,75	0,5	0,4								
	16,24	86	130	0,75	0,5	0,4								
	14,25	98	130	0,75	0,5	0,4								
	13,05	107	130	0,75	0,5	0,4								
	11,45	122	130	0,75	0,5	0,4								
	10,13	138	130	0,75	0,5	0,4								
	8,87	158	130	0,75	0,5	0,4								
	8,18	171	130	0,75	0,5	0,4								
	7,12	196	130	0,75	0,5	0,4								
	6,23	225	130	0,75	0,5	0,4								
	5,54	253	120	0,75	0,5	0,4								
	4,85	289	120	0,75	0,5	0,4								

* Caution, do not exceed the maximum drive power P_{1max} according to the Typ W column.

kg	W	IEC 63	IEC 71	IEC 80
SK 0182.1	9	7,5	8	8



	i_{Total}	n_2 $n_1 =$ 1400 r/min [r/min]	M_{2max} $f_B = 1$ [Nm]	W			IEC					
				P_{1max}			$f_B \Rightarrow$ D4 - 60					
				$n_1 =$ 1400 r/min [kW]	$n_1 =$ 930 r/min [kW]	$n_1 =$ 700 r/min [kW]	IEC 63	IEC 71	IEC 80	IEC 90		
SK 0282.1	247,02	5,7	180	0,11	0,071	0,057	*	*	*	*		
	228,16	6,1	200	0,13	0,085	0,069	*	*	*	*		
	201,65	6,9	200	0,15	0,1	0,078	*	*	*	*		
W	190,64	7,3	200	0,15	0,1	0,082	*	*	*	*		
	161,34	8,7	200	0,18	0,12	0,1		*	*	*		
	140,98	9,9	200	0,21	0,14	0,11		*	*	*		
	126,98	11	200	0,23	0,15	0,12		*	*	*		
	110,96	13	200	0,26	0,18	0,14		*	*	*		
	103,89	13	200	0,28	0,19	0,15		*	*	*		
IEC	92,51	15	200	0,32	0,21	0,17		*	*	*		
	75,69	18	200	0,39	0,26	0,21			*	*		
	66,66	21	200	0,44	0,29	0,24			*	*		
	53,03	26	180	0,5	0,33	0,27			*	*		
	43,78	32	200	0,67	0,44	0,36			*	*		
	38,14	37	200	0,77	0,51	0,41				*		
	33,44	42	200	0,88	0,58	0,47				*		
	29,56	47	200	0,99	0,66	0,53				*		
	26,32	53	200	1,11	0,74	0,6				*		
	21,53	65	200	1,36	0,9	0,73				*		
	18,96	74	200	1,5	1	0,8						
	18,24	77	200	1,5	1	0,8						
	16,12	87	200	1,5	1	0,8						
	14,36	98	200	1,5	1	0,8						
	12,78	110	200	1,5	1	0,8						
	11,30	124	200	1,5	1	0,8						
	10,06	139	200	1,5	1	0,8						
	9,18	153	200	1,5	1	0,8						
	8,24	170	200	1,5	1	0,8						
	6,82	205	200	1,5	1	0,8						
	6,43	218	180	1,5	1	0,8						
	5,47	256	160	1,5	1	0,8						
	4,79	293	160	1,5	1	0,8						

UNICASE™ Parallel shaft gear units

* Caution, do not exceed the maximum drive power P_{1max} according to the Typ W column.

	W	IEC 63	IEC 71	IEC 80	IEC 90
SK 0282.1	11	9,5	10	10	10

SK 1282.1



	i_{Total}	n_2 $n_1 =$ 1400 r/min [r/min]	M_{2max} $f_B = 1$ [Nm]	W			IEC							
				P_{1max}			$f_B \Rightarrow$ D4 - 60							
				$n_1 =$ 1400 r/min [kW]	$n_1 =$ 930 r/min [kW]	$n_1 =$ 700 r/min [kW]	IEC 63	IEC 71	IEC 80	IEC 90	IEC 100	IEC 112		
SK 1282.1	24,57	57	400	2,05	1,36	1,1								
	20,96	67	400	2,05	1,36	1,1								
	19,52	72	400	3,0	2,00	1,61							*	
W	16,66	84	400	3,3	2,19	1,77							*	
$\begin{matrix} \text{I} \\ \text{mm} \end{matrix}$	13,74	102	400	3,45	2,29	1,85							*	
\Rightarrow D118	12,19	115	400	4,0	2,66	2,14								
	10,88	129	400	4,0	2,66	2,14								
	9,67	145	360	4,0	2,66	2,14								
IEC	8,25	170	320	4,0	2,66	2,14								
$\begin{matrix} \text{I} \\ \text{mm} \end{matrix}$	7,47	187	320	4,0	2,66	2,14								
\Rightarrow D119	6,38	220	285	4,0	2,66	2,14								
	5,22	268	255	4,0	2,66	2,14								
	4,04	347	255	4,0	2,66	2,14								

* Caution, do not exceed the maximum drive power P_{1max} according to the Typ W column.

UNICASE™ Parallel shaft gear units

$\begin{matrix} \text{kg} \\ \text{I} \end{matrix}$	W	IEC 63	IEC 71	IEC 80	IEC 90	IEC100	IEC112
SK 1282.1	17	15,5	16	16	16	30	26



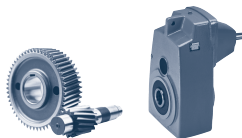
	i_{Total}	n_2 $n_1 =$ 1400 r/min [r/min]	M_{2max} $f_B = 1$ [Nm]	W			IEC							
				P_{1max}			$f_B \Rightarrow$ D4 - 60							
				$n_1 =$ 1400 r/min [kW]	$n_1 =$ 930 r/min [kW]	$n_1 =$ 700 r/min [kW]	IEC 63	IEC 71	IEC 80	IEC 90	IEC 100			
SK 1382.1	356,89	3,9	360	0,15	0,10	0,079	*	*	*	*				
	304,47	4,6	360	0,17	0,12	0,09	*	*	*	*				
	287,37	4,9	400	0,2	0,14	0,11		*	*	*				
W	245,16	5,7	400	0,24	0,16	0,13		*	*	*				
mm	217,62	6,4	400	0,27	0,18	0,14		*	*	*				
	179,22	7,8	400	0,33	0,22	0,18		*	*	*				
	159,09	8,8	400	0,37	0,24	0,2			*	*				
IEC	135,72	10	400	0,43	0,29	0,23			*	*				
mm	121,52	12	400	0,48	0,32	0,26			*	*				
	103,68	14	400	0,57	0,38	0,3			*	*				
mm	97,22	14	400	0,6	0,40	0,32			*	*				
	82,94	17	400	0,71	0,47	0,38			*	*				
	68,50	20	400	0,86	0,57	0,46								
	60,26	23	400	0,97	0,65	0,52								
	54,32	26	400	1,08	0,72	0,58				*	*			
	51,41	27	400	1,14	0,76	0,61				*				
	44,19	32	400	1,33	0,88	0,71				*	*			
	38,67	36	400	1,52	1,01	0,81					*			
	32,99	42	400	1,78	1,18	0,95					*			
	28,54	49	400	2,05	1,36	1,1					*			

* Caution, do not exceed the maximum drive power P_{1max} according to the Typ W column.

UNICASE™ Parallel shaft gear units

	W	IEC 63	IEC 71	IEC 80	IEC 90	IEC100
SK 1382.1	18	16,5	17	17	17	31

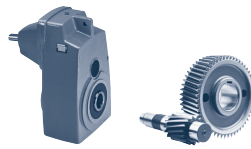
SK 1282/02



	i_{Total}	n_2 $n_1 =$ 1400 r/min [r/min]	M_{2max} $f_B = 1$ [Nm]	W			IEC						
				P_{1max}			$f_B \Rightarrow$ D4 - 60						
				$n_1 =$ 1400 r/min [kW]	$n_1 =$ 930 r/min [kW]	$n_1 =$ 700 r/min [kW]	IEC 63	IEC 71	IEC 80	IEC 90			
SK 1282/02	3608,19	0,39	290	0,05	0,03	0,03	*	*					
	2448,65	0,57	290	0,06	0,04	0,03	*	*					
	1968,10	0,71	290	0,06	0,04	0,03	*	*					
W	1620,65	0,86	290	0,07	0,04	0,03	*	*					
	1362,13	1,0	290	0,07	0,05	0,04	*	*					
	1066,50	1,3	290	0,08	0,05	0,04	*	*	*	*			
\Rightarrow D120	826,23	1,7	290	0,09	0,06	0,05	*	*	*	*			
	663,69	2,1	290	0,10	0,07	0,05	*	*	*	*			
	546,50	2,6	290	0,12	0,08	0,06	*	*	*	*			
IEC	405,75	3,5	290	0,15	0,10	0,07	*	*	*	*			
	328,02	4,3	290	0,17	0,11	0,09	*	*	*	*			
	283,85	4,9	290	0,19	0,12	0,09	*	*	*	*			
\Rightarrow D122	229,08	6,1	290	0,23	0,15	0,11	*	*	*	*			

* Caution, do not exceed the maximum drive power P_{1max} according to the Typ W column.

	W	IEC 63	IEC 71	IEC 80	IEC 90
SK 1282/02	26	27	28	31	31



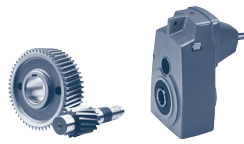
	i_{Total}	n_2 $n_1 =$ 1400 r/min [r/min]	M_{2max} $f_B = 1$ [Nm]	W			IEC								
				P_{1max}			$f_B \Rightarrow$ D4 - 60								
				$n_1 =$ 1400 r/min [kW]	$n_1 =$ 930 r/min [kW]	$n_1 =$ 700 r/min [kW]	IEC 63	IEC 71	IEC 80	IEC 90	IEC 100	IEC 112			
SK 1282	109,50	13	209	0,28	0,19	0,14		*							
	92,48	15	232	0,36	0,24	0,18		*							
W	81,17	17	296	0,53	0,35	0,26									
	72,17	19	296	0,59	0,39	0,29			*	*					
$\frac{H}{mm}$	66,23	21	270	0,59	0,39	0,30									
	58,89	24	283	0,71	0,47	0,36			*	*					
\Rightarrow D120	55,39	25	235	0,62	0,41	0,31									
	49,25	28	260	0,76	0,50	0,38				*					
IEC	46,19	30	196	0,62	0,41	0,31									
	41,07	34	217	0,77	0,51	0,39					*				
$\frac{H}{mm}$	32,08	44	230	1,06	0,70	0,53				*					
	28,33	49	225	1,15	0,76	0,58				*					
\Rightarrow D122	25,22	56	225	1,32	0,87	0,66				*	*	*			
	20,57	68	225	1,60	1,06	0,80					*	*	*		
	17,21	81	224	1,90	1,25	0,95					*	*	*		
	14,11	99	210	2,18	1,44	1,09					*	*	*		
	11,76	119	204	2,54	1,68	1,27					*	*	*		
	10,34	135	196	2,77	1,83	1,39					*	*	*		
	9,18	153	189	3,03	2,00	1,51						*	*		
	8,24	170	191	3,40	2,24	1,70					*	*	*		
	8,21	171	160	2,86	1,89	1,43						*	*		
	7,24	193	187	3,78	2,49	1,89							*		
	6,43	218	181	4,00	2,64	2,00								*	
	5,47	256	172	4,00	2,64	2,00									*
	4,79	292	128	3,91	2,58	1,96									*

* Caution, do not exceed the maximum drive power P_{1max} according to the Typ W column.

UNICASE™ Parallel shaft gear units

$\frac{kg}{\square}$	W	IEC 63	IEC 71	IEC 80	IEC 90	IEC 100	IEC 112
SK 1282	18	19	20	23	23	30	30

SK 2282/02 SK 2382

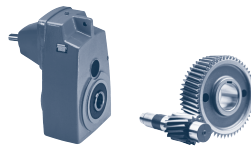


	i_{Total}	n_2 $n_1 =$ 1400 r/min [r/min]	M_{2max} $f_B = 1$ [Nm]	W			IEC					
				P_{1max}			$f_B \Rightarrow$ D4 - 60					
				$n_1 =$ 1400 r/min [kW]	$n_1 =$ 930 r/min [kW]	$n_1 =$ 700 r/min [kW]	IEC 63	IEC 71	IEC 80	IEC 90		
SK 2282/02	3426,39	0,41	520	0,06	0,04	0,03	*	*				
	2654,05	0,53	520	0,07	0,05	0,03	*	*				
	2133,20	0,66	520	0,08	0,05	0,04	*	*				
W	1728,15	0,81	520	0,08	0,06	0,04	*	*				
	1423,06	0,98	520	0,09	0,06	0,05	*	*				
\Rightarrow	1064,71	1,3	520	0,11	0,07	0,06	*	*	*	*		
	824,77	1,7	520	0,13	0,09	0,07	*	*	*	*		
	662,92	2,1	520	0,15	0,10	0,08	*	*	*	*		
	514,51	2,7	520	0,19	0,12	0,09		*	*	*		
IEC	423,50	3,3	520	0,22	0,14	0,11		*	*	*		
	356,28	3,9	520	0,25	0,17	0,13		*	*	*		
\Rightarrow	287,51	4,9	520	0,31	0,20	0,15		*	*	*		
	215,75	6,5	520	0,39	0,26	0,20			*	*		
	174,78	8,0	520	0,48	0,31	0,24			*	*		

				IEC 63	IEC 71	IEC 80	IEC 90				
SK 2382	763,41	1,8	438	0,08	0,05	0,04	*	*			
	623,10	2,2	521	0,12	0,08	0,06	*	*			
W	482,56	2,9	521	0,16	0,10	0,08	*	*			
	390,93	3,6	521	0,20	0,13	0,10		*			
\Rightarrow	330,45	4,2	563	0,25	0,16	0,12		*			
	276,27	5,1	553	0,30	0,19	0,15		*			
	236,11	5,9	473	0,29	0,19	0,15		*			
	185,11	7,6	521	0,41	0,27	0,21			*	*	
IEC	149,96	9,3	521	0,51	0,33	0,25			*	*	
	131,86	11	521	0,60	0,40	0,30			*	*	
\Rightarrow	116,35	12	521	0,65	0,43	0,33			*	*	
	98,35	14	563	0,75	0,50	0,38				*	
	82,22	17	561	0,75	0,50	0,38				*	

* Caution, do not exceed the maximum drive power P_{1max} according to the Typ W column.

	W	IEC 63	IEC 71	IEC 80	IEC 90
SK 2282/02	37	38	39	42	42
SK 2382	36	37	38	41	41



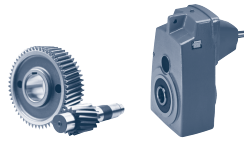
	i_{Total}	n_2 $n_1 =$ 1400 r/min [r/min]	M_{2max} $f_B = 1$ [Nm]	W			IEC							
				P_{1max}			$f_B \Rightarrow$ D4 - 60							
				$n_1 =$ 1400 r/min [kW]	$n_1 =$ 930 r/min [kW]	$n_1 =$ 700 r/min [kW]	IEC 71	IEC 80	IEC 90	IEC 100	IEC 112			
SK 2282	127,51	11	380	0,44	0,29	0,22		*						
	104,07	13	397	0,54	0,36	0,27		*						
W	100,98	14	440	0,65	0,43	0,32		*	*					
	82,42	17	477	0,85	0,56	0,42			*					
	69,67	20	443	0,93	0,61	0,46			*					
	63,83	22	521	1,20	0,79	0,60			*					
\Rightarrow D120	53,96	26	506	1,38	0,91	0,69			*					
	51,71	27	521	1,47	0,97	0,74			*	*	*			
IEC	45,11	31	450	1,46	0,96	0,73			*					
	43,71	32	563	1,89	1,25	0,94			*	*				
	37,18	38	460	1,83	1,21	0,92								
\Rightarrow D122	36,54	38	501	1,99	1,32	1,00			*	*				
	31,23	45	445	2,10	1,38	1,05			*	*				
	29,65	47	500	2,46	1,62	1,23			*	*				
	26,83	52	439	2,39	1,58	1,20			*	*				
	24,97	56	490	2,87	1,90	1,44			*	*				
	23,96	58	435	2,64	1,74	1,32			*	*				
	21,90	64	480	3,22	2,12	1,61					*			
	18,51	76	486	3,87	2,55	1,93					*			
	16,53	85	471	4,00	2,64	2,00								
	13,23	106	405	4,00	2,64	2,00								
	11,81	119	384	4,00	2,64	2,00								
	10,15	138	356	4,00	2,64	2,00								
	9,03	155	335	4,00	2,64	2,00								
	8,37	167	256	4,00	2,64	2,00								
	7,48	187	243	4,00	2,64	2,00								
	6,43	218	226	4,00	2,64	2,00								
	5,72	245	212	4,00	2,64	2,00								
	4,51	310	186	4,00	2,64	2,00								

UNICASE™ Parallel shaft gear units

* Caution, do not exceed the maximum drive power P_{1max} according to the Typ W column.

	W	IEC 71	IEC 80	IEC 90	IEC 100	IEC 112
SK 2282	35	33	37	37	41	41

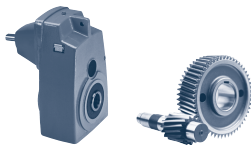
SK 3282/12 SK 3382



	i_{Total}	n_2 $n_1 =$ 1400 r/min [r/min]	M_{2max} $f_B = 1$ [Nm]	W			IEC							
				P_{1max}			$f_B \Rightarrow$ D4 - 60							
				$n_1 =$ 1400 r/min [kW]	$n_1 =$ 930 r/min [kW]	$n_1 =$ 700 r/min [kW]	IEC 63	IEC 71	IEC 80	IEC 90	IEC 100	IEC 112		
SK 3282/12	3435,26	0,41	900	0,08	0,05	0,04	*	*						
	2797,18	0,50	900	0,09	0,06	0,04	*	*						
	2248,69	0,62	900	0,10	0,06	0,05	*	*						
W	1697,29	0,82	900	0,12	0,08	0,06	*	*	*	*				
$\frac{H}{mm}$	1335,98	1,0	900	0,13	0,09	0,07	*	*	*	*	*	*	*	*
\Rightarrow D120	1067,99	1,3	900	0,16	0,11	0,08	*	*	*	*	*	*	*	*
	853,43	1,6	900	0,19	0,13	0,10	*	*	*	*	*	*	*	*
	686,08	2,0	900	0,23	0,15	0,11	*	*	*	*	*	*	*	*
IEC	520,83	2,7	900	0,29	0,19	0,15	*	*	*	*	*	*	*	*
$\frac{H}{mm}$	461,81	3,0	900	0,32	0,21	0,16	*	*	*	*	*	*	*	*
\Rightarrow D123	358,12	3,9	900	0,41	0,27	0,20	*	*	*	*	*	*	*	*
	270,39	5,2	900	0,53	0,35	0,27	*	*	*	*	*	*	*	*
	217,37	6,4	900	0,64	0,42	0,32	*	*	*	*	*	*	*	*
	179,57	7,8	900	0,78	0,51	0,39	*	*	*	*	*	*	*	*
	141,49	9,9	900	0,93	0,62	0,47	*	*	*	*	*	*	*	*
	114,23	12	900	1,13	0,75	0,57	*	*	*	*	*	*	*	*
	87,73	16	900	1,50	0,99	0,75	*	*	*	*	*	*	*	*
							IEC 63	IEC 71	IEC 80	IEC 90	IEC 100	IEC 112		
SK 3382	1022,42	1,4	787	0,12	0,08	0,06	*	*						
	919,00	1,5	822	0,13	0,09	0,06	*	*						
W	808,42	1,7	1039	0,18	0,12	0,09	*	*						
$\frac{H}{mm}$	726,61	1,9	944	0,19	0,12	0,09	*	*						
\Rightarrow D120	584,13	2,4	1000	0,25	0,17	0,13	*	*						
	482,56	2,9	866	0,26	0,17	0,13	*	*						
	408,58	3,4	796	0,28	0,19	0,14	*	*						
	287,14	4,9	938	0,48	0,32	0,24	*	*	*	*				
IEC	230,83	6,1	1000	0,64	0,42	0,32	*	*	*	*				
$\frac{H}{mm}$	190,69	7,3	866	0,66	0,44	0,33	*	*	*	*				
\Rightarrow D126	161,46	8,7	788	0,72	0,47	0,36	*	*	*	*				
	126,93	11	774	0,89	0,59	0,45	*	*	*	*	*	*	*	*
	104,05	13	735	1,00	0,66	0,50	*	*	*	*	*	*	*	*
	89,60	16	621	1,04	0,69	0,52	*	*	*	*	*	*	*	*

* Caution, do not exceed the maximum drive power P_{1max} according to the Typ W column.

kg	W	IEC 63	IEC 71	IEC 80	IEC 90	IEC 100	IEC 112
SK 3282/12	54	55	56	59	59	66	66
SK 3382	52	53	54	57	57	64	64



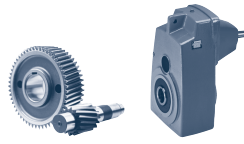
	i_{Total}	n_2 $n_1 =$ 1400 r/min [r/min]	M_{2max} $f_B = 1$ [Nm]	W			IEC							
				P_{1max}			$f_B \Rightarrow$ D4 - 60							
				$n_1 =$ 1400 r/min [kW]	$n_1 =$ 930 r/min [kW]	$n_1 =$ 700 r/min [kW]	IEC 71	IEC 80	IEC 90	IEC 100	IEC 112	IEC 132		
SK 3282	112,23	12	770	0,97	0,64	0,48			*					
	100,88	14	807	1,18	0,78	0,59			*					
W	88,74	16	945	1,58	1,04	0,79								
$\frac{H}{mm}$	79,76	18	850	1,60	1,06	0,80								
	70,56	20	564	1,18	0,78	0,59			*					
	65,89	21	758	1,67	1,10	0,83								
\Rightarrow D120	64,12	22	1015	2,34	1,54	1,17			*	*				
	55,79	25	642	1,68	1,11	0,84								
IEC	52,97	26	845	2,30	1,52	1,15			*	*				
$\frac{H}{mm}$	48,04	29	552	1,68	1,11	0,84								
	44,85	31	737	2,39	1,58	1,20			*	*				
\Rightarrow D123	42,02	33	929	3,21	2,12	1,61				*	*			
	38,62	36	634	2,39	1,58	1,19			*	*				
	37,77	37	835	3,24	2,14	1,62				*	*			
	31,93	44	877	4,04	2,67	2,02								
	28,70	49	870	4,46	2,95	2,23								
	25,88	54	846	4,78	3,16	2,39								
	23,71	59	805	4,97	3,28	2,49								
	22,45	62	800	5,19	3,43	2,60						*		
	21,38	65	722	4,91	3,24	2,46								
	20,18	69	822	5,94	3,92	2,97						*		
	16,67	84	841	7,40	4,88	3,70						*		
	14,11	99	857	8,88	5,86	4,44						*		
	11,38	123	821	9,20	6,07	4,60								
	9,80	143	839	9,20	6,07	4,60								
	8,31	168	676	9,20	6,07	4,60								
	6,70	209	607	9,20	6,07	4,60								
	5,74	244	555	9,20	6,07	4,60								
	4,48	312	461	9,20	6,07	4,60								

* Caution, do not exceed the maximum drive power P_{1max} according to the Typ W column.

UNICASE™ Parallel shaft gear units

$\frac{kg}{kg}$	W	IEC 71	IEC 80	IEC 90	IEC 100	IEC 112	IEC 132
SK 3282	50	48	52	52	56	56	65

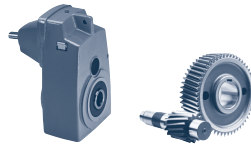
SK 4282/12 SK 4382



	i_{Total}	n_2 $n_1 =$ 1400 r/min [r/min]	M_{2max} $f_B = 1$ [Nm]	W			IEC							
				P_{1max}			$f_B \Rightarrow$ D4 - 60							
				$n_1 =$ 1400 r/min [kW]	$n_1 =$ 930 r/min [kW]	$n_1 =$ 700 r/min [kW]	IEC 63	IEC 71	IEC 80	IEC 90	IEC 100	IEC 112		
SK 4282/12	2782,46	0,50	1800	0,13	0,09	0,07	*	*						
	2248,25	0,62	1800	0,16	0,10	0,08	*	*						
	1830,65	0,76	1800	0,18	0,12	0,09	*	*						
W	1343,53	1,0	1800	0,23	0,15	0,11	*	*						
$\frac{H}{mm}$	1110,82	1,3	1800	0,29	0,19	0,14	*	*	*					
	873,31	1,6	1800	0,34	0,23	0,17	*	*	*	*	*			
\Rightarrow D120	698,96	2,0	1800	0,42	0,28	0,21		*	*	*	*	*		
	558,54	2,5	1800	0,51	0,34	0,26			*	*	*	*	*	
IEC	409,92	3,4	1800	0,68	0,45	0,34			*	*	*	*	*	
$\frac{H}{mm}$	340,87	4,1	1800	0,77	0,51	0,39				*	*	*	*	
	302,24	4,6	1800	0,87	0,57	0,43				*	*	*	*	
\Rightarrow D123	234,38	6,0	1800	1,13	0,75	0,57				*	*	*	*	
	176,96	7,9	1800	1,49	0,98	0,74				*	*	*	*	
	152,47	9,2	1800	1,73	1,14	0,87					*	*	*	
	127,52	11	1800	2,07	1,37	1,04					*	*	*	
							IEC 63	IEC 71	IEC 80	IEC 90	IEC 100	IEC 112		
SK 4382	1585,08	0,88	1420	0,13	0,09	0,07		*	*	*				
	1129,91	1,2	1600	0,20	0,13	0,10		*	*	*				
W	1097,48	1,3	1088	0,15	0,10	0,07		*	*	*				
$\frac{H}{mm}$	782,32	1,8	1476	0,28	0,18	0,14		*	*	*				
	654,27	2,1	1233	0,27	0,18	0,14		*	*	*				
\Rightarrow D120	605,88	2,3	1475	0,36	0,23	0,18			*	*				
	532,44	2,6	2000	0,54	0,36	0,27			*	*				
	445,23	3,1	1666	0,54	0,36	0,27			*	*				
IEC	412,38	3,4	1990	0,71	0,47	0,35				*				
$\frac{H}{mm}$	390,76	3,6	2000	0,75	0,50	0,38			*	*				
	344,84	4,1	1662	0,71	0,47	0,36				*				
\Rightarrow D127	326,81	4,3	1890	0,85	0,56	0,43				*				
	302,65	4,6	2077	1,00	0,66	0,50				*				
	272,54	5,1	1572	0,84	0,55	0,42				*				
	253,12	5,5	1961	1,13	0,75	0,56				*				
	211,09	6,6	1635	1,13	0,75	0,56				*				
	191,57	7,3	1990	1,52	1,00	0,76					*	*		
	160,20	8,7	1657	1,51	1,00	0,75					*	*		
	140,60	10	2000	2,09	1,38	1,05					*	*		
	118,38	12	2000	2,51	1,66	1,26					*	*		
	103,82	13	2000	2,72	1,80	1,36					*	*		
	86,83	16	1980	3,00	1,98	1,50						*	*	
	66,65	21	1200	2,64	1,74	1,32						*	*	

* Caution, do not exceed the maximum drive power P_{1max} according to the Typ W column.

kg	W	IEC 63	IEC 71	IEC 80	IEC 90	IEC 100	IEC 112
SK 4282/12	69	70	71	74	74	81	81
SK 4382	80	-	78	82	82	86	86



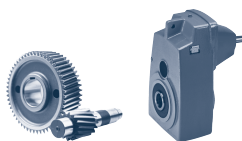
	i_{Total}	n_2 $n_1 =$ 1400 r/min [r/min]	M_{2max} $f_B = 1$ [Nm]	W			IEC								
				P_{1max}			$f_B \Rightarrow$ D4 - 60								
				$n_1 =$ 1400 r/min [kW]	$n_1 =$ 930 r/min [kW]	$n_1 =$ 700 r/min [kW]	IEC 90	IEC 100	IEC 112	IEC 132	AI 160				
SK 4282	155,40	9,0	1275	1,20	0,79	0,60	*								
	110,78	13	1600	2,18	1,44	1,09		*	*						
W	90,52	15	1600	2,51	1,66	1,26		*	*						
	76,70	18	1589	2,99	1,98	1,50		*	*						
$\frac{H}{mm}$	75,39	19	1589	3,16	2,09	1,58			*	*					
\Rightarrow D120	61,60	23	1794	4,32	2,85	2,16				*					
	52,20	27	1818	5,14	3,39	2,57				*					
	45,05	31	1594	5,17	3,41	2,59				*					
IEC, AI	43,65	32	1600	5,36	3,54	2,68				*					
	40,74	34	1556	5,54	3,66	2,77				*					
$\frac{H}{mm}$	38,31	37	2000	7,75	5,11	3,87				*					
\Rightarrow D123	36,81	38	1400	5,57	3,68	2,79				*					
	36,40	38	1375	5,47	3,61	2,74				*					
	32,34	43	1620	7,29	4,81	3,65				*	*				
	32,04	44	1785	8,22	5,43	4,11				*					
	26,72	52	1600	8,71	5,75	4,36				*					
	26,43	53	1787	9,92	6,55	4,96					*	*			
	26,25	53	1608	8,92	5,89	4,46				*	*				
	22,39	63	1699	11,21	7,40	5,60					*	*			
	21,45	65	1686	11,48	7,57	5,74					*	*			
	18,18	77	1800	14,51	9,58	7,26					*	*			
	15,20	92	1800	15,00	9,90	7,50									
	12,68	110	1750	15,00	9,90	7,50									
	10,85	129	1700	15,00	9,90	7,50									
	9,23	152	1634	15,00	9,90	7,50									
	8,33	168	1272	15,00	9,90	7,50									
	7,13	196	1202	15,00	9,90	7,50									
	6,06	231	1200	15,00	9,90	7,50									
	5,43	258	1035	15,00	9,90	7,50									
	5,00	280	1035	15,00	9,90	7,50									
	4,70	298	1035	15,00	9,90	7,50									

UNICASE™ Parallel shaft gear units

* Caution, do not exceed the maximum drive power P_{1max} according to the Typ W column.

$\frac{kg}{kg}$	W	IEC 90	IEC 100	IEC 112	IEC 132	AI 160
SK 3282	75	70	77	77	91	91

SK 5282/12 SK 5382

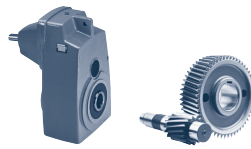


	i_{Total}	n_2 $n_1 =$ 1400 r/min [r/min]	M_{2max} $f_B = 1$ [Nm]	W			IEC							
				P_{1max}			$f_B \Rightarrow$ D4 - 60							
				$n_1 =$ 1400 r/min [kW]	$n_1 =$ 930 r/min [kW]	$n_1 =$ 700 r/min [kW]	IEC 63	IEC 71	IEC 80	IEC 90	IEC 100	IEC 112		
SK 5282/12	2772,22	0,51	3000	0,20	0,13	0,10		*						
	2217,67	0,63	3000	0,24	0,16	0,12		*						
	1805,75	0,78	3000	0,29	0,19	0,14		*						
W	1334,62	1,0	3000	0,35	0,23	0,18		*	*	*				
$\frac{H}{mm}$	1095,71	1,3	3000	0,45	0,30	0,22			*	*				
$\frac{H}{mm}$	862,46	1,6	3000	0,54	0,36	0,27			*	*	*	*		
\Rightarrow D120	689,45	2,0	3000	0,67	0,44	0,33			*	*	*	*	*	
	550,94	2,5	3000	0,79	0,52	0,39				*	*	*	*	
IEC	448,15	3,1	3000	0,97	0,64	0,49				*	*	*	*	
$\frac{H}{mm}$	338,35	4,1	3000	1,29	0,85	0,64				*	*	*	*	
$\frac{H}{mm}$	273,15	5,1	3000	1,60	1,06	0,80					*	*	*	
\Rightarrow d124	232,66	6,0	3000	1,88	1,24	0,94					*	*	*	
	174,55	8,0	3000	2,51	1,66	1,26					*	*	*	
	142,18	9,8	3000	3,00	1,98	1,50						*	*	*

							IEC 63	IEC 71	IEC 80	IEC 90	IEC 100	IEC 112
SK 5382	1367,08	1,0	2700	0,28	0,19	0,14			*	*		
	936,45	1,5	2700	0,42	0,28	0,21			*	*		
W	700,03	2,0	3200	0,67	0,44	0,34			*	*		
$\frac{H}{mm}$	570,18	2,5	2800	0,73	0,48	0,37			*	*		
$\frac{H}{mm}$	525,20	2,7	3200	0,90	0,60	0,45				*		
\Rightarrow D120	427,79	3,3	3200	1,11	0,73	0,55				*		
	361,69	3,9	2800	1,14	0,75	0,57				*		
	331,48	4,2	3200	1,41	0,93	0,70				*	*	*
IEC	269,99	5,2	2700	1,47	0,97	0,74				*	*	*
$\frac{H}{mm}$	248,70	5,6	3200	1,88	1,24	0,94				*	*	*
$\frac{H}{mm}$	202,57	6,9	3200	2,31	1,53	1,16				*	*	*
\Rightarrow d127	171,27	8,2	2800	2,40	1,59	1,20				*	*	*
	153,92	9,1	3200	3,05	2,01	1,52					*	*
	138,82	10	3200	3,35	2,21	1,68						*
	117,37	12	2750	3,46	2,28	1,73						*
	91,71	15	2900	4,55	3,01	2,28						
	82,72	17	2795	4,98	3,28	2,49						

* Caution, do not exceed the maximum drive power P_{1max} according to the Typ W column.

kg	W	IEC 63	IEC 71	IEC 80	IEC 90	IEC 100	IEC 112
SK 5282/12	105	106	107	110	110	117	117
SK 5382	120	-	118	122	122	126	126



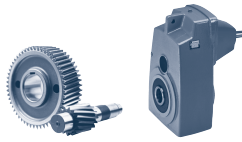
	i_{Total}	n_2 $n_1 =$ 1400 r/min [r/min]	M_{2max} $f_B = 1$ [Nm]	W			IEC								
				P_{1max}			$f_B \Rightarrow$ D4 - 60								
				$n_1 =$ 1400 r/min [kW]	$n_1 =$ 930 r/min [kW]	$n_1 =$ 700 r/min [kW]	IEC 90	IEC 100	IEC 112	IEC 132	AI 160	AI 180			
SK 5282	134,03	10	2654	2,78	1,83	1,39		*	*						
	100,19	14	2241	3,29	2,17	1,64			*						
W	91,81	15	2759	4,33	2,86	2,17				*					
	81,61	17	1828	3,25	2,15	1,63			*						
	68,63	20	2970	6,22	4,11	3,11				*					
\Rightarrow	55,90	25	2600	6,81	4,49	3,40				*					
	55,55	25	2500	6,54	4,32	3,27				*					
	51,49	27	3235	9,15	6,04	4,57				*					
IEC, AI	47,27	30	2400	7,54	4,98	3,77				*					
	41,94	33	3200	11,06	7,30	5,53									
	40,80	34	2500	8,90	5,87	4,45				*	*				
\Rightarrow	35,46	39	2700	11,03	7,28	5,51									
	33,43	42	2300	10,12	6,68	5,06					*	*			
	30,50	46	2900	13,97	9,22	6,98					*	*	*		
	25,00	56	2900	17,01	11,22	8,50							*	*	
	20,36	69	3100	22,00	14,52	11,00								*	
	18,88	74	2600	20,15	13,30	10,07								*	
	17,59	80	2750	22,00	14,52	11,00									
	15,38	91	2600	22,00	14,52	11,00									
	13,00	108	2629	22,00	14,52	11,00									
	10,71	131	2500	22,00	14,52	11,00									
	9,46	148	2300	22,00	14,52	11,00									
	8,70	161	2360	22,00	14,52	11,00									
	7,17	195	2161	22,00	14,52	11,00									
	6,33	221	2114	22,00	14,52	11,00									
	5,71	245	1800	22,00	14,52	11,00									
	5,29	265	1750	22,00	14,52	11,00									
	5,01	279	1700	22,00	14,52	11,00									
	4,32	324	1550	22,00	14,52	11,00									

* Caution, do not exceed the maximum drive power P_{1max} according to the Typ W column.

UNICASE™ Parallel shaft gear units

	W	IEC 90	IEC 100	IEC 112	IEC 132	AI 160	AI 180
SK 5282	111	106	113	113	127	126	126

SK 6382/22
SK 6382/32
SK 6382



	i_{Total}	n_2	M_{2max}	W			IEC									
				$n_1 = 1400 \text{ r/min}$ [r/min]	$f_B = 1$	P_{1max}		$f_B \Rightarrow \text{D4 - 60}$								
						$n_1 = 1400 \text{ r/min}$ [kW]	$n_1 = 930 \text{ r/min}$ [kW]	$n_1 = 700 \text{ r/min}$ [kW]	IEC	IEC	IEC	IEC	IEC			
									71	80	90	100	112			
SK 6382/22	4164,86	0,34	4780	0,21	0,14	0,11	*	*								
	3450,76	0,41	5400	0,27	0,18	0,14	*	*	*							
	2738,39	0,51	4780	0,30	0,19	0,15	*	*	*							
W	2203,53	0,64	5400	0,40	0,27	0,20		*	*							
	1859,20	0,75	5400	0,46	0,31	0,23		*	*							
	1259,27	1,1	5400	0,66	0,44	0,33		*	*	*	*					
	1104,39	1,3	5400	0,78	0,51	0,39			*	*	*	*				
	818,71	1,7	5400	0,96	0,63	0,48			*	*	*	*				
	637,53	2,2	5400	1,24	0,82	0,62			*	*	*	*				
IEC	569,11	2,5	5400	1,41	0,93	0,71			*	*	*	*				
	435,29	3,2	5400	1,81	1,19	0,90			*	*	*	*				
	347,33	4,0	5400	2,26	1,49	1,13			*	*	*	*				
	298,46	4,7	5400	2,66	1,75	1,33			*	*	*	*				

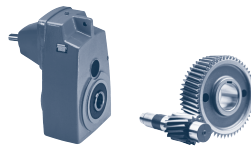
	i_{Total}	n_2	M_{2max}	$n_1 = 1400 \text{ r/min}$ [r/min]	$f_B = 1$	P_{1max}	$n_1 = 1400 \text{ r/min}$ [kW]	$n_1 = 930 \text{ r/min}$ [kW]	$n_1 = 700 \text{ r/min}$ [kW]	IEC							
										$f_B \Rightarrow \text{D4 - 60}$							
										IEC	IEC	IEC	IEC	IEC	IEC		
										71	80	90	100	112	132		
SK 6382/32	223,73	6,3	4780	3,15	2,08	1,58					*	*					
W	191,51	7,3	4780	3,65	2,41	1,83					*	*					
IEC	159,23	8,8	4780	4,40	2,91	2,20					*	*					

	i_{Total}	n_2	M_{2max}	$n_1 = 1400 \text{ r/min}$ [r/min]	$f_B = 1$	P_{1max}	$n_1 = 1400 \text{ r/min}$ [kW]	$n_1 = 930 \text{ r/min}$ [kW]	$n_1 = 700 \text{ r/min}$ [kW]	IEC, AI							
										$f_B \Rightarrow \text{D4 - 60}$							
										IEC	IEC	IEC	IEC	IEC	IEC	AI	AI
										71	80	90	100	112	132	160	180
SK 6382	551,58	2,5	5170	1,35	0,89	0,68			*								
	445,09	3,1	4170	1,35	0,89	0,68			*								
	393,19	3,6	5880	2,22	1,46	1,11				*	*						
W	317,28	4,4	5640	2,60	1,72	1,30				*	*						
	267,59	5,2	5880	3,20	2,11	1,60				*	*						
	251,76	5,6	4480	2,63	1,73	1,31				*	*						
	225,79	6,2	4020	2,61	1,72	1,30				*	*						
	212,33	6,6	4670	3,23	2,13	1,61				*	*						
	171,34	8,2	5570	4,78	3,16	2,39				*	*						
IEC, AI	159,88	8,8	5770	5,32	3,51	2,66				*	*						
	126,87	11	4580	5,28	3,48	2,64				*	*						
	114,79	12	5880	7,39	4,88	3,69				*	*						
	92,63	15	6000	9,42	6,22	4,71				*	*		*				
	75,18	19	6000	11,94	7,88	5,97				*	*		*				
	73,50	19	5570	11,08	7,31	5,54				*	*		*				
	59,66	23	5500	13,25	8,74	6,62				*	*		*				
	51,07	27	5080	14,36	9,48	7,18				*	*		*				
	42,46	33	4550	15,72	10,38	7,86				*	*		*				
	36,34	39	4550	18,58	12,26	9,29				*	*		*				
	30,91	45	4550	21,44	14,15	10,72				*	*		*				
	28,72	49	4600	22,00	14,52	11,00				*	*		*			*	
	24,42	57	4690	22,00	14,52	11,00				*	*		*			*	

* Caution, do not exceed the maximum drive power P_{1max} according to the Typ W column.

kg	W	IEC 71	IEC 80	IEC 90	IEC 100	IEC 112	IEC 132	AI 160	AI 180
SK 6382/22	201	199	203	203	207	207	-	-	-
SK 6382/22	212	-	-	214	218	218	227	-	-
SK 6382	192	-	-	187	194	194	208	207	207

UNICASE™ Parallel shaft gear units



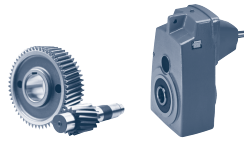
	i_{Total}	n_2 $n_1 =$ 1400 r/min [r/min]	M_{2max} $f_B = 1$ [Nm]	W			IEC									
				P_{1max}			$f_B \Rightarrow$ D4 - 60									
				$n_1 =$ 1400 r/min [kW]	$n_1 =$ 930 r/min [kW]	$n_1 =$ 700 r/min [kW]	IEC 100	IEC 112	IEC 132	AI 160	AI 180	AI 200	AI 225			
SK 6282	80,33	17	4131	7,35	4,85	3,68			*							
	65,44	21	3369	7,41	4,89	3,70			*							
W	61,08	23	4535	10,92	7,21	5,46				*	*					
$\frac{H}{mm}$	49,75	28	4040	11,85	7,82	5,92				*	*					
	39,48	35	3200	11,73	7,74	5,86				*	*					
\Rightarrow D121	29,90	47	4537	22,33	14,74	11,16										
	26,05	54	4533	25,63	16,92	12,82										
	22,95	61	4535	28,97	19,12	14,48							*	*		
IEC, AI	18,70	75	4427	34,77	22,95	17,38									*	
$\frac{H}{mm}$	14,83	94	4475	44,05	29,07	22,02									*	
	12,35	113	4389	45,00	29,70	22,50										
\Rightarrow D124	10,64	132	4314	45,00	29,70	22,50										
	9,39	149	2754	42,97	28,36	21,48									*	
	7,82	179	2682	45,00	29,70	22,50										
	6,74	208	2990	45,00	29,70	22,50										
	5,99	234	2392	45,00	29,70	22,50										
	5,78	242	2334	45,00	29,70	22,50										
	5,50	255	2291	45,00	29,70	22,50										
	4,88	287	2156	45,00	29,70	22,50										
	4,39	319	2034	45,00	29,70	22,50										

* Caution, do not exceed the maximum drive power P_{1max} according to the Typ W column.

UNICASE™ Parallel shaft gear units

	W	IEC 100	IEC 112	IEC 132	AI 160	AI 180	AI 200	AI 225
SK 6282	215	203	203	216	230	230	241	258

SK 7382/22
SK 7382/32
SK 7382



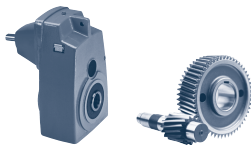
	i_{Total}	n_2 $n_1 =$ 1400 r/min [r/min]	M_{2max} $f_B = 1$ [Nm]	W			IEC												
				P_{1max}			$f_B \Rightarrow \text{D4} - 60$												
				$n_1 =$ 1400 r/min [kW]	$n_1 =$ 930 r/min [kW]	$n_1 =$ 700 r/min [kW]	IEC 71	IEC 80	IEC 90	IEC 100									
SK 7382/22	5662,68	0,25	7080	0,23	0,15	0,11	*	*	*										
	4892,48	0,29	7080	0,25	0,17	0,13	*	*	*										
	3615,97	0,39	7080	0,33	0,22	0,16		*	*										
W	2635,97	0,53	7080	0,43	0,29	0,22		*	*										
$\frac{H}{mm}$	2066,45	0,68	7080	0,54	0,36	0,27		*	*	*	*								
$\Rightarrow \text{D120}$	1812,31	0,77	7080	0,61	0,40	0,31		*	*	*	*								
	1343,50	1,0	7080	0,78	0,52	0,39			*	*	*								
	1046,18	1,3	7080	0,96	0,64	0,48			*	*	*								
	933,91	1,5	7080	1,11	0,73	0,56			*	*	*								
IEC	714,31	2,0	7080	1,48	0,98	0,74			*	*	*								
$\frac{H}{mm}$	569,97	2,5	7080	1,85	1,22	0,93				*	*								
$\Rightarrow \text{D128}$	435,50	3,2	7080	2,37	1,57	1,19				*	*								
	376,26	3,7	7080	2,74	1,81	1,37				*	*								

	i_{Total}	n_2	M_{2max}	P_{1max}	$f_B \geq 1$	IEC													
						71	80	90	100	112	132								
SK 7382/32	295,54	4,7	7060	3,47	2,29	1,74													
	223,20	6,3	7060	4,66	3,07	2,33				*	*								
W																			
$\frac{H}{mm}$																			
$\Rightarrow \text{D120}$																			
IEC																			
$\frac{H}{mm}$																			
$\Rightarrow \text{D128}$																			

	i_{Total}	n_2	M_{2max}	P_{1max}	$f_B \geq 1$	IEC													
						71	80	90	100	112	132	AI 160	AI 180	AI 200	AI 225				
SK 7382	338,79	4,1	7540	3,24	2,14	1,62					*	*							
	273,57	5,1	7540	4,03	2,66	2,01					*	*							
W	216,43	6,5	8300	5,65	3,73	2,82					*	*							
$\frac{H}{mm}$	204,99	6,8	7540	5,37	3,54	2,68					*	*							
$\Rightarrow \text{D121}$	162,17	8,6	6270	5,65	3,73	2,82					*	*							
	150,57	9,3	7540	7,34	4,85	3,67					*	*							
	123,37	11	7540	8,68	5,73	4,34					*	*	*	*					
	106,59	13	7540	10,26	6,77	5,13					*	*	*	*					
	93,18	15	7540	11,84	7,82	5,92					*	*	*	*	*	*			
IEC, AI	78,81	18	7420	13,99	9,23	6,99					*	*	*	*	*	*			
$\frac{H}{mm}$	68,10	21	7200	15,83	10,45	7,92					*	*	*	*	*	*			
$\Rightarrow \text{A26}$	59,52	24	7060	17,74	11,71	8,87					*	*	*	*	*	*			
	53,38	26	7080	19,28	12,72	9,64					*	*	*	*	*	*			
	46,66	30	7080	22,24	14,68	11,12					*	*	*	*	*	*			
	36,92	38	6620	26,34	17,39	13,17					*	*	*	*	*	*			
	30,42	46	6620	31,89	21,05	15,94					*	*	*	*	*	*			
	26,88	52	6620	36,05	23,79	18,02					*	*	*	*	*	*			
	23,46	60	6610	42,91	28,32	21,46					*	*	*	*	*	*			

* Caution, do not exceed the maximum drive power P_{1max} according to the Typ W column.

kg	W	IEC 71	IEC 80	IEC 90	IEC 100	IEC 112	IEC 132	AI 160	AI 180	AI 200	AI 225
SK 7382/22	274	272	276	276	280	280	-	-	-	-	-
SK 7382/32	285	-	-	287	291	291	300	-	-	-	-
SK 7382	285	-	-	-	273	273	286	300	300	311	328



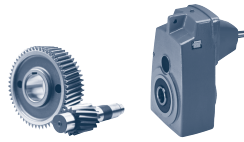
	i_{Total}	n_2 $n_1 =$ 1400 r/min [r/min]	M_{2max} $f_B = 1$ [Nm]	W			IEC						
				P_{1max}			$f_B \Rightarrow$ D4 - 60						
				$n_1 =$ 1400 r/min [kW]	$n_1 =$ 930 r/min [kW]	$n_1 =$ 700 r/min [kW]	IEC 132	AI 160	AI 180	AI 200	AI 225		
SK 7282	69,73	20	5804	12,15	8,02	6,08		*	*				
	56,91	25	5534	14,49	9,56	7,24		*	*				
W	45,67	31	5809	18,86	12,45	9,43			*				
W	45,02	31	4382	14,22	9,39	7,11		*	*				
$\frac{H}{mm}$	37,27	38	6473	25,76	17,00	12,88				*			
\Rightarrow D121	34,64	40	5804	24,31	16,04	12,15							
	26,89	52	5807	31,62	20,87	15,81					*		
	22,87	61	5802	37,06	24,46	18,53					*		
IEC, AI	19,97	70	5810	42,59	28,11	21,29					*		
$\frac{H}{mm}$	16,29	86	6469	45,00	29,70	22,50							
\Rightarrow D124	12,89	109	5864	45,00	29,70	22,50							
	11,16	125	6221	45,00	29,70	22,50							
	9,92	141	4273	45,00	29,70	22,50							
	9,48	148	6263	45,00	29,70	22,50							
	8,66	162	4222	45,00	29,70	22,50							
	7,49	187	4507	45,00	29,70	22,50							
	6,36	220	4450	45,00	29,70	22,50							
	5,98	234	4322	45,00	29,70	22,50							
	5,30	264	4065	45,00	29,70	22,50							
	5,04	278	3929	45,00	29,70	22,50							
	4,26	329	3619	45,00	29,70	22,50							

* Caution, do not exceed the maximum drive power P_{1max} according to the Typ W column.

UNICASE™ Parallel shaft gear units

	W	IEC 132	AI 160	AI 180	AI 200	AI 225
SK 7282	278	279	293	293	304	321

SK 8382/32
SK 8382/42
SK 8382



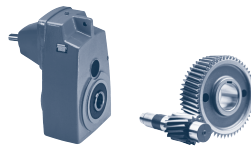
	i_{Total}	n_2 $n_1 =$ 1400 r/min [r/min]	M_{2max} $f_B = 1$ [Nm]	W			IEC											
				P_{1max}			$f_B \Rightarrow D4 - 60$											
				$n_1 =$ 1400 r/min [kW]	$n_1 =$ 930 r/min [kW]	$n_1 =$ 700 r/min [kW]	IEC 71	IEC 80	IEC 90	IEC 100	IEC 112	IEC 132						
SK 8382/32	6616,79	0,21	12100	0,31	0,20	0,15	*	*	*									
	5507,20	0,25	12100	0,36	0,24	0,18	*	*	*									
W	4211,43	0,33	12100	0,46	0,30	0,23		*	*									
\parallel mm	3524,83	0,40	12100	0,55	0,36	0,27		*	*									
\Rightarrow D120	3005,57	0,47	12100	0,64	0,42	0,32		*	*									
	2416,28	0,58	12100	0,77	0,51	0,39			*	*	*							
	1697,85	0,82	12100	1,04	0,69	0,52			*	*	*							
	1366,83	1,0	12100	1,27	0,84	0,63			*	*	*							
IEC	1064,91	1,3	12100	1,65	1,09	0,82				*	*	*						
\parallel mm	891,21	1,6	12100	2,03	1,34	1,01				*	*	*						
\Rightarrow D129	718,43	1,9	12100	2,41	1,59	1,20				*	*	*						
	612,94	2,3	12100	2,91	1,92	1,46				*	*	*						

							IEC 71	IEC 80	IEC 90	IEC 100	IEC 112	IEC 132	AI 160					
SK 8382/42	551,02	2,5	12100	3,17	2,09	1,58					*	*	*					
	468,52	3,0	12100	3,80	2,51	1,90					*	*	*					
W	346,66	4,0	12100	5,07	3,34	2,53					*	*	*					
\parallel mm	294,43	4,8	12100	6,08	4,01	3,04					*	*	*					
\Rightarrow D120	223,40	6,3	12100	7,98	5,27	3,99					*	*	*					
	185,94	7,5	12100	9,20	6,07	4,60					*	*	*					

							IEC 71	IEC 80	IEC 90	IEC 100	IEC 112	IEC 132	AI 160	AI 180	AI 200	AI 225
SK 8382	386,68	3,6	12700	4,79	3,16	2,39					*					
	318,31	4,4	13000	5,99	3,95	2,99					*					
W	294,01	4,8	12700	6,38	4,21	3,19					*	*	*			
\parallel mm	242,02	5,8	13100	7,96	5,25	3,98					*	*	*			
\Rightarrow D121	201,00	7,0	10800	7,92	5,22	3,96					*					
	185,66	7,5	12680	9,96	6,57	4,98					*	*	*			
	152,83	9,2	13200	12,72	8,39	6,36					*	*	*			
	143,91	9,7	12500	12,70	8,38	6,35					*	*	*			
IEC, AI	125,38	11	12190	14,04	9,27	7,02					*	*	*			
\parallel mm	118,47	12	12450	15,64	10,33	7,82					*	*	*			
\Rightarrow D129	103,21	14	12100	17,74	11,71	8,87					*	*	*			
	90,94	15	12100	19,01	12,54	9,50					*	*	*			
	75,69	18	12100	22,81	15,05	11,40					*	*	*			
	65,22	21	11300	24,85	16,40	12,42					*	*	*			
	57,43	24	12100	30,41	20,07	15,20					*	*	*			
	47,80	29	12100	36,74	24,25	18,37					*	*	*			
	43,59	32	10600	35,52	23,44	17,76					*	*	*			
	35,88	39	12080	45,00	29,70	22,50					*	*	*			
	30,92	45	12090	45,00	29,70	22,50					*	*	*			

* Caution, do not exceed the maximum drive power P_{1max} according to the Typ W column.

kg	W	IEC 71	IEC 80	IEC 90	IEC 100	IEC 112	IEC 132	AI 160	AI 180	AI 200	AI 225
SK 8382/32	410	408	412	412	416	416	425	-	-	-	-
SK 8382/42	435	-	-	430	437	437	451	450	-	-	-
SK 8382	410	-	-	-	398	398	411	425	425	436	453

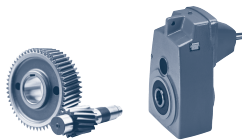


	i_{Total}	n_2 $n_1 =$ 1400 r/min [r/min]	M_{2max} $f_B = 1$ [Nm]	W			IEC								
				P_{1max}			$f_B \Rightarrow$ D4 - 60								
				$n_1 =$ 1400 r/min [kW]	$n_1 =$ 930 r/min [kW]	$n_1 =$ 700 r/min [kW]	IEC 132	AI 160	AI 180	AI 200	AI 225	AI 250	AI 280		
SK 8282	72,21	19	7875	15,67	10,34	7,83			*						
	59,44	24	6483	16,29	10,75	8,15			*						
W	47,51	29	10613	32,23	21,27	16,11									
mm	39,16	36	10615	40,01	26,41	20,01					*				
mm	39,11	36	9342	35,22	23,24	17,61									
D121	32,24	43	10346	46,58	30,75	23,29									
	28,33	49	9998	51,30	33,86	25,65									
	24,50	57	10603	63,28	41,77	31,64									
IEC, AI	21,13	66	10618	73,38	48,43	36,69									*
mm	17,40	80	9697	75,00	49,50	37,50									*
mm	15,18	92	9480	75,00	49,50	37,50									*
D125	12,96	108	10294	75,00	49,50	37,50									*
	10,86	129	10290	75,00	49,50	37,50									*
	9,67	145	6521	75,00	49,50	37,50									*
	8,26	169	7296	75,00	49,50	37,50									*
	6,92	202	6786	75,00	49,50	37,50									*
	4,52	310	4890	75,00	49,50	37,50									*

* Caution, do not exceed the maximum drive power P_{1max} according to the Typ W column.

	W	IEC 132	AI 160	AI 180	AI 200	AI 225	AI 250	AI 280
SK 8282	481	407	421	421	432	449	511	511

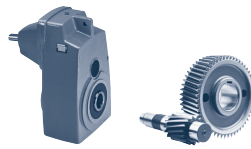
SK 9382/.. SK 9382 SK 9282



	i_{Total}	n_2	M_{2max}	W			IEC																		
				$n_1 =$ 1400 r/min	$f_B = 1$	P_{1max}	$f_B \geq 1$			$f_B \Rightarrow$ IEC D4 - 60															
							1400 r/min	930 r/min	700 r/min																
										IEC 90	IEC 100	IEC 112	IEC 132	AI 160											
SK 9382/42	4165,75	0,34	24000	0,85	0,56	0,43		*	*	*															
W	2435,06	0,57	24000	1,43	0,95	0,72	*	*	*																
$\frac{W}{mm}$	2203,92	0,64	24000	1,61	1,06	0,80		*	*																
\Rightarrow D120	1747,42	0,80	24000	2,01	1,33	1,01		*	*	*	*														
	1419,20	0,99	24000	2,49	1,64	1,24		*	*	*	*														
	1178,81	1,2	24000	3,02	1,99	1,51				*	*	*													
	886,49	1,6	24000	4,02	2,65	2,01				*	*														
IEC, AI	715,38	2,0	24000	5,03	3,32	2,51				*	*														
$\frac{IEC, AI}{mm}$	618,30	2,3	24000	5,78	3,81	2,89				*	*														
\Rightarrow D129	449,57	3,1	24000	7,79	5,14	3,90				*	*														
SK 9382/52	411,63	3,4	24000	8,54	5,64	4,27					*	*	*												
W	294,54	4,8	24000	12,06	7,96	6,03					*	*	*												
$\frac{W}{mm}$	233,17	6,0	24000	15,08	9,95	7,54					*	*	*												
\Rightarrow D120	200,69	7,0	24000	17,59	11,61	8,80					*	*	*												
IEC, AI																									
$\frac{IEC, AI}{mm}$																									
\Rightarrow D129																									
SK 9382	352,36	4,0	25400	10,64	7,02	5,32						*	*												
W	291,25	4,8	24000	12,06	7,96	6,03						*	*												
$\frac{W}{mm}$	204,68	6,8	22000	15,66	10,34	7,83						*	*												
\Rightarrow D121	175,05	8,0	25400	21,28	14,04	10,64						*	*												
	144,69	9,7	24000	24,38	16,09	12,19						*	*												
	135,90	10	25400	26,60	17,55	13,30						*	*												
	115,57	12	25400	31,92	21,06	15,96						*	*												
	100,89	14	25400	37,24	24,58	18,62						*	*												
	83,19	17	24000	42,72	28,20	21,36						*	*	*											
IEC, AI	72,19	19	24000	47,75	31,51	23,87						*	*	*	*										
$\frac{IEC, AI}{mm}$	65,25	21	24260	53,35	35,21	26,67						*	*	*	*										
\Rightarrow D129	55,49	25	24000	62,83	41,47	31,41						*	*	*	*										
	48,44	29	24000	72,88	48,10	36,44						*	*	*	*										
	41,93	33	24000	75,00	49,50	37,50						*	*	*	*										
	35,61	39	24000	75,00	49,50	37,50						*	*	*	*										
SK 9282	34,38	41	16250	69,76	46,04	34,88																			
W	30,79	45	17930	84,49	55,76	42,24																			
$\frac{W}{mm}$	26,89	52	17200	93,65	61,81	46,83																			
\Rightarrow D121	23,15	60	16426	103,20	68,11	51,60																			
	20,13	70	15926	116,74	77,05	58,37																			
	17,33	81	15492	131,40	86,72	65,70																			
	14,70	95	14715	146,38	96,61	73,19																			
IEC, AI	12,01	117	13808	160,00	105,60	80,00																			
$\frac{IEC, AI}{mm}$	10,18	138	10792	155,95	102,93	77,97																			
\Rightarrow D125	8,64	162	11160	160,00	105,60	80,00																			
	7,06	198	10116	160,00	105,60	80,00																			
	5,78	242	8825	160,00	105,60	80,00																			
	5,34	262	8336	160,00	105,60	80,00																			

* Caution, do not exceed the maximum drive power P_{1max} according to the Typ W column.

$\frac{kg}{mm^3}$	W	IEC 90	IEC 100	IEC 112	IEC 132	AI 160	AI 180	AI 200	AI 225	AI 250	AI 280	AI 315
SK 9382/42	737	732	739	739	753	752	-	-	-	-	-	-
SK 8382/52	766	-	768	768	782	781	781	-	-	-	-	-
SK 9382	712	-	-	-	713	727	727	738	755	817	817	-
SK 9282	782	-	-	-	708	722	722	733	750	812	812	928



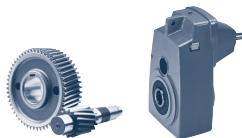
	i_{total}	n_2 $n_1 =$ 1400 r/min [r/min]	M_{2max} $f_B = 1$ [Nm]	W			IEC										
				P_{1max}			$f_B \Rightarrow D4 - 60$										
				$n_1 =$ 1400 r/min [kW]	$n_1 =$ 930 r/min [kW]	$n_1 =$ 700 r/min [kW]	W	IEC 132	AI 160	AI 180	AI 200	AI 225	AI 250	AI 280	AI 315		
SK 10382.1	343,19	4,1	33310	14,2	9,45	7,11			*	*							
	312,23	4,5	30310	14,2	9,45	7,12			*	*							
	283,96	4,9	27560	14,2	9,45	7,11			*	*							
W	258,35	5,4	25080	14,2	9,45	7,12			*	*							
$\frac{H}{mm}$	225,94	6,2	46810	30,4	20,2	15,2											
$\Rightarrow D121$	186,95	7,5	43870	34,4	22,9	17,2											
	172,76	8,1	46250	39,2	26,1	19,6											
	157,18	8,9	42080	39,3	26,1	19,6											
IEC, AI	135,24	10	45780	49,6	33,0	24,8											
$\frac{H}{mm}$	123,04	11	41650	49,6	33,0	24,8											
$\Rightarrow D130$	111,90	13	45230	59,3	39,4	29,6											
	95,98	15	44290	67,7	44,9	33,8							*				
	87,32	16	41120	69,0	45,9	34,5							*				
	79,41	18	43050	79,5	52,8	39,7							*				
	72,25	19	40650	82,5	54,8	41,2							*				
	61,07	23	41400	99,4	66,0	49,7											
	55,56	25	43660	115	76,5	57,6											
	47,38	30	38270	118	78,7	59,2											
	44,70	31	38280	126	83,4	62,8										*	
	40,65	34	39620	143	94,9	71,4										*	
	36,98	38	39930	158	105	79,1										*	
	31,26	45	39210	160	106	80										*	
	28,44	49	43000	160	106	80										*	
	24,25	58	38850	160	106	80										*	
	22,07	63	38560	160	106	80										*	
	19,23	73	33600	160	106	80										*	
	17,49	80	30570	160	106	80										*	
	15,36	91	26830	160	106	80										*	
	13,97	100	24410	160	106	80										*	
	12,22	115	21350	160	106	80										*	

UNICASE™ Parallel shaft gear units

* Caution, do not exceed the maximum drive power P_{1max} according to the Typ W column.

$\frac{kg}{kg}$	W	IEC 132	IEC 160	IEC 180	IEC 200	AI 225	AI 250	AI 280	AI 315
SK 10382.1	1070	1041	1055	1055	1066	1083	1145	1145	1261

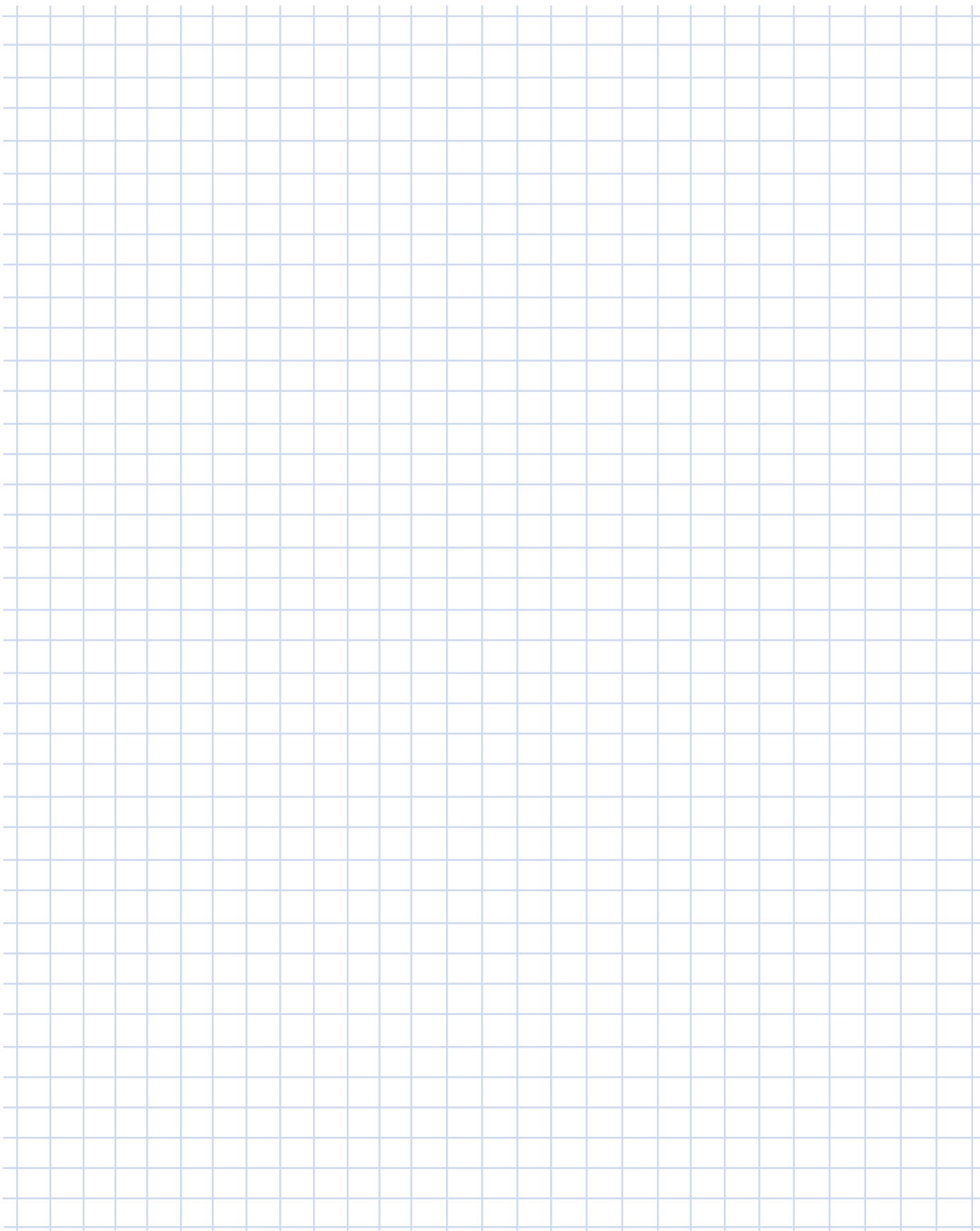
SK 11382.1



	i_{Total}	n_2 $n_1 =$ 1400 r/min [r/min]	M_{2max} $f_B = 1$ [Nm]	W			IEC								
				P_{1max}			$f_B \Rightarrow$ D4 - 60								
				$n_1 =$ 1400 r/min [kW]	$n_1 =$ 930 r/min [kW]	$n_1 =$ 700 r/min [kW]	AI 160	AI 180	AI 200	AI 225	AI 250	AI 280	AI 315		
SK 11382.1	167,17	8,4	72090	63,2	42,0	31,6						*			
	141,74	9,9	71210	73,7	48,9	36,8						*			
	130,02	11	70280	79,2	52,6	39,6						*			
W	111,80	13	68690	90,1	59,8	45,0									
$\frac{H}{mm}$	101,78	14	67950	97,9	65,0	48,9									
\Rightarrow D121	87,52	16	76850	129	85,5	64,4									
	79,95	18	70200	129	85,5	64,4									
	72,38	19	64370	130	86,6	65,2							*		
AI	65,61	21	67050	150	99,5	74,9							*		
$\frac{H}{mm}$	56,42	25	75890	197	131	98,6							*		
\Rightarrow D130	51,54	27	69330	197	131	98,6							*		
	40,83	34	66520	200	133	100									
	35,41	40	65960	200	133	100									
	32,35	43	62020	200	133	100									
	28,56	49	61870	200	133	100									
	25,62	55	58190	200	133	100									
	22,32	63	57620	200	133	100									
	20,39	69	54160	200	133	100									
	17,93	78	53780	200	133	100									
	16,37	85	50880	200	133	100									

* Caution, do not exceed the maximum drive power P_{1max} according to the Typ W column.

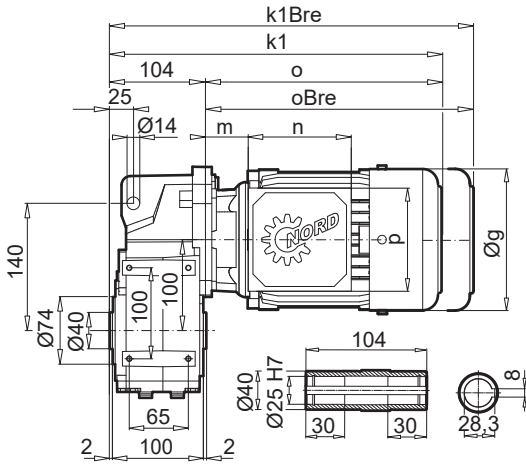
	W	IEC 160	IEC 180	IEC 200	AI 225	AI 250	AI 280	AI 315
SK 11382.1	1670	1655	1655	1666	1683	1745	1745	1861



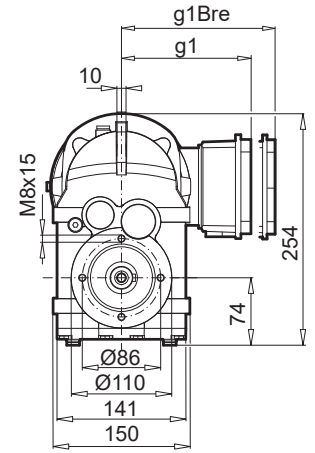
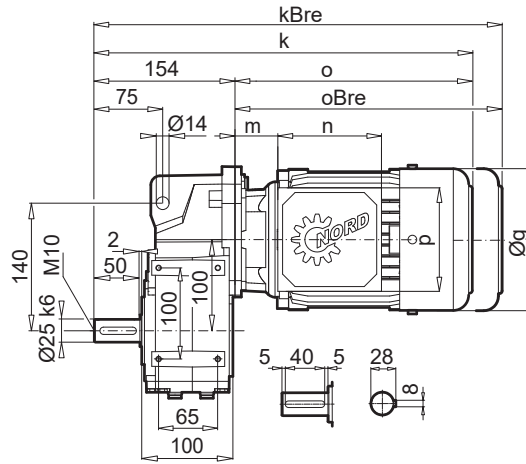
SK 0182.1



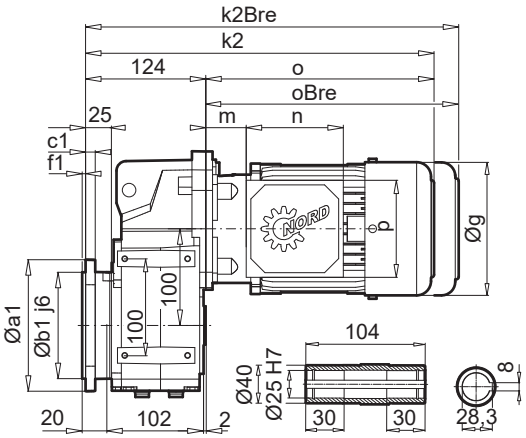
SK 0182.1 AXZ



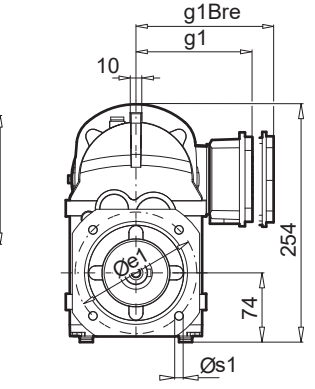
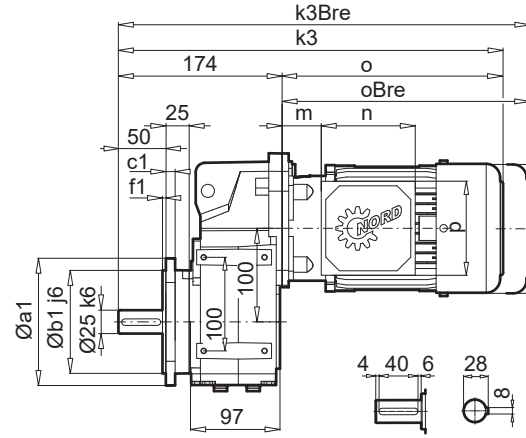
SK 0182.1 VXZ



SK 0182.1 AXF

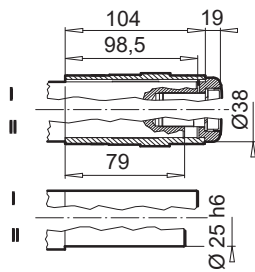


SK 0182.1 VXF

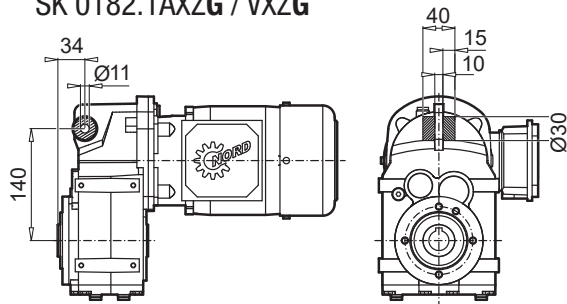


a1	b1	c1	e1	f1	s1
160	110	10	130	3,5	4 x 9

SK 0182.1AXFB / AXZB



SK 0182.1AXZG / VXZG



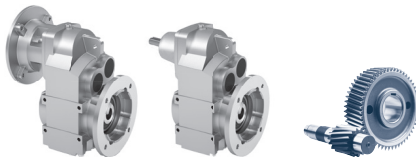
$\pm \rightarrow$ A60	63 SP/LP	71 SP/LP	80 SP/LP	90 SP/LP
g	130	145	164	184
g1 / g1Bre	116 / 123	124 / 133	142 / 142	147 / 147
k / kBre	350 / 406	390 / 448	415 / 479	456 / 531
k1 / k1Bre	300 / 356	340 / 398	365 / 429	406 / 481
k2 / k2Bre	321 / 377	361 / 419	386 / 450	427 / 502
k3 / k2Bre	371 / 427	411 / 469	436 / 500	477 / 552
o / oBre	196 / 252	236 / 294	261 / 325	302 / 377
m / mBre	16 / 22	42 / 48	47 / 50	52 / 55
n / nBre	100 / 134	100 / 134	114 / 153	114 / 153
p / pBre	100 / 89	100 / 89	114 / 108	114 / 108



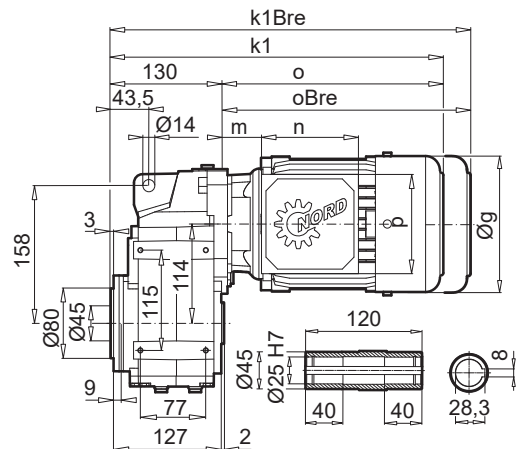
W \rightarrow A D119
IEC, NEMA \rightarrow A D120



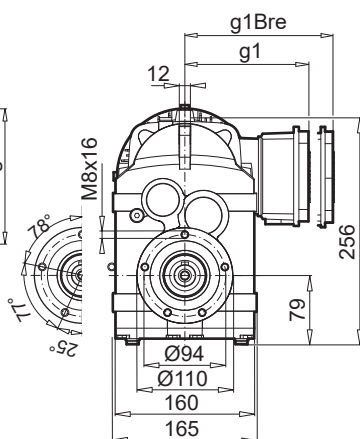
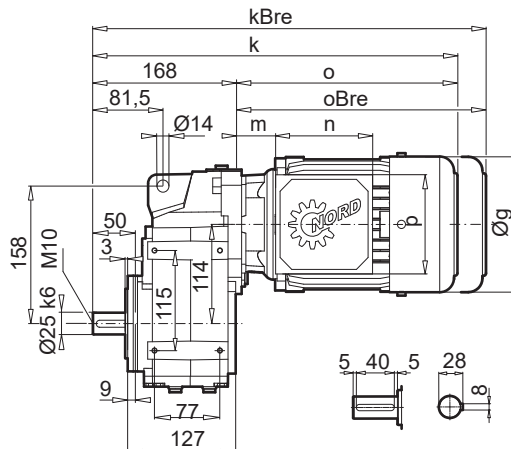
UNICASE™ Parallel shaft gear units



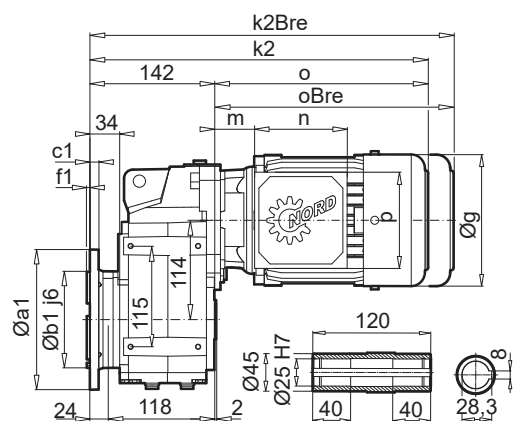
SK 0282.1 AXZ



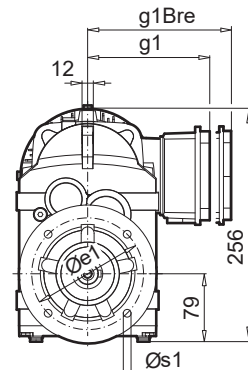
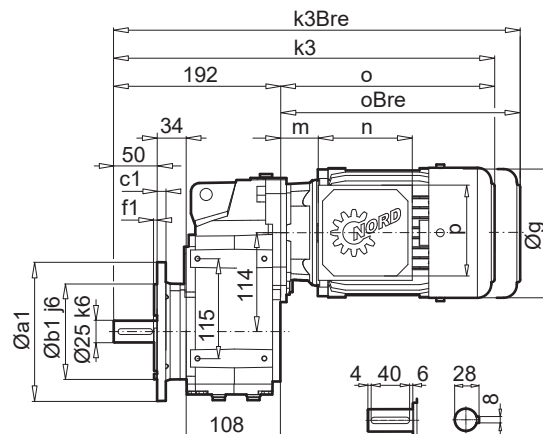
SK 0282.1 VXZ



SK 0282.1 AXF

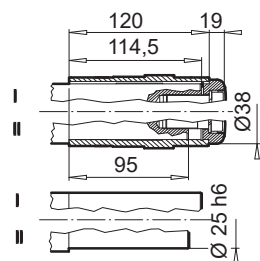


SK 0282.1 VXF

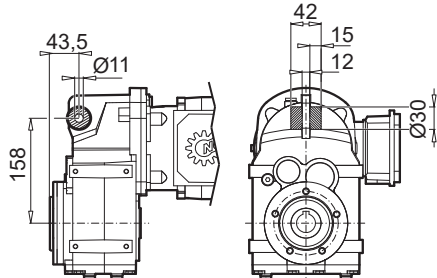


a1	b1	c1	e1	f1	s1
160	110	10	130	3,5	4 x 9

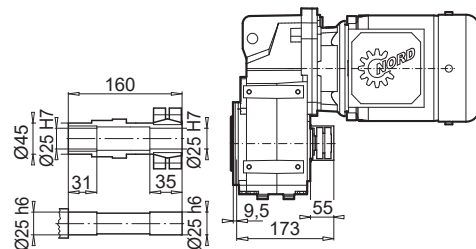
SK 0282.1AXFB / AXZB



SK 0282.1AXZG / VXZG



SK 0282.1AXZSH

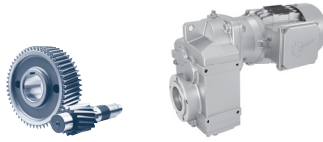


± ↕ A60	63 SP/LP	71 SP/LP	80 SP/LP	90 SP/LP
g	130	145	164	184
g1 / g1Bre	116 / 123	124 / 133	142 / 142	147 / 147
k / kBRe	364 / 420	404 / 462	429 / 479	470 / 545
k1 / k1Bre	326 / 382	366 / 424	391 / 455	432 / 507
k2 / k2Bre	339 / 395	379 / 437	403 / 450	445 / 520
k3 / k2Bre	388 / 444	428 / 486	436 / 500	494 / 569
o / oBre	196 / 252	236 / 294	261 / 325	302 / 377
m / mBre	16 / 22	42 / 48	47 / 50	52 / 55
n / nBre	100 / 134	100 / 134	114 / 153	114 / 153
p / pBre	100 / 89	100 / 89	114 / 108	114 / 108

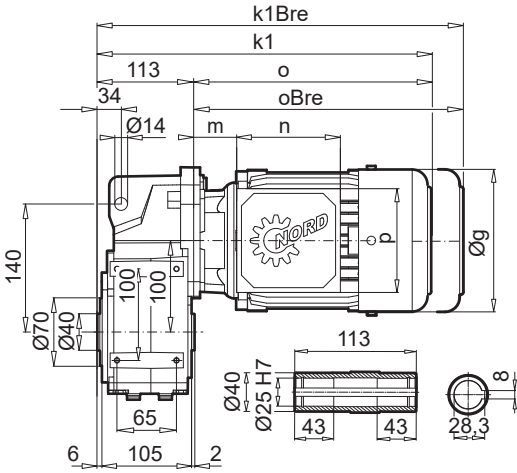


W ↕ D119
IEC,NEMA ↕ D120

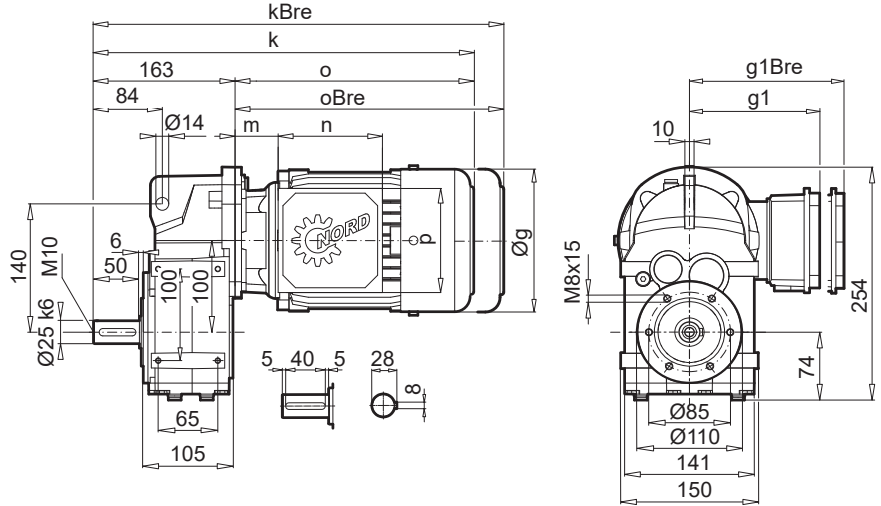
SK 0182.1 ... N



SK 0182.1 AXZN

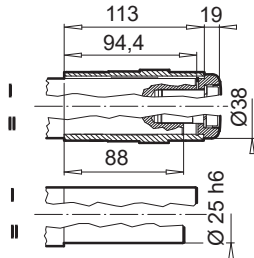


SK 0182.1 VXZN

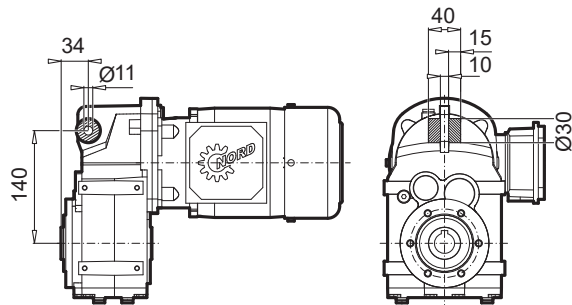


UNICASE™ Parallel shaft gear units

SK 0182.1AXZ(N)B



SK 0182.1AXZ(N)G / VXZ(N)G

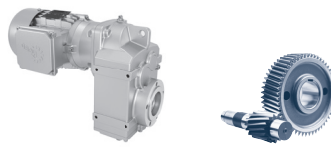


± → A60	63 SP/LP	71 SP/LP	80 SP/LP	90 SP/LP
g	130	145	164	184
g1 / g1Bre	116 / 123	124 / 133	142 / 142	147 / 147
k / kBre	359 / 415	399 / 457	424 / 488	465 / 540
k1 / kBre	309 / 365	349 / 407	374 / 438	415 / 490
o / oBre	196 / 252	236 / 294	261 / 325	302 / 377
m / mBre	16 / 22	42 / 48	47 / 50	52 / 55
n / nBre	100 / 134	100 / 134	114 / 153	114 / 153
p / pBre	100 / 89	100 / 89	114 / 108	114 / 108



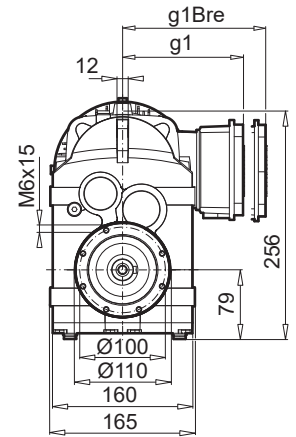
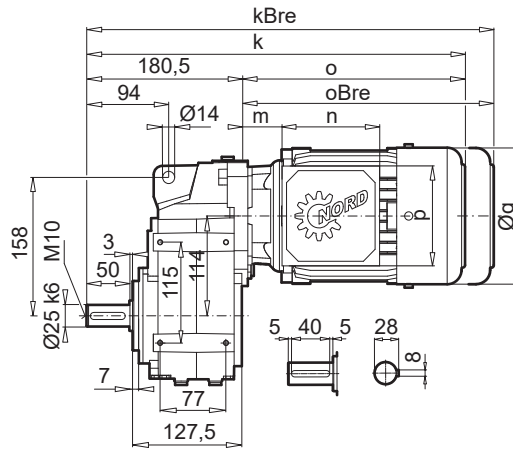
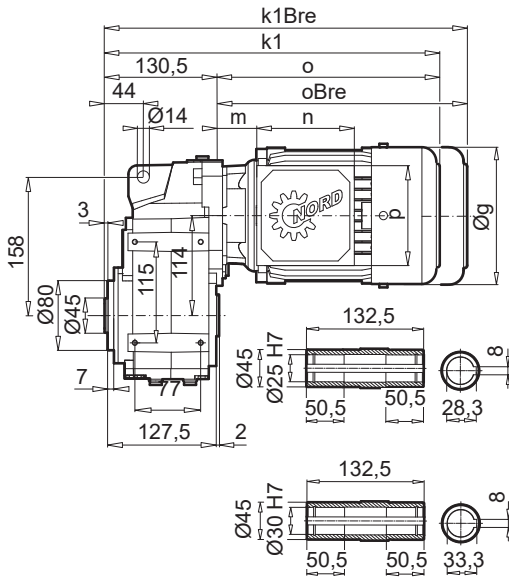
W → D119
IEC, NEMA → D120





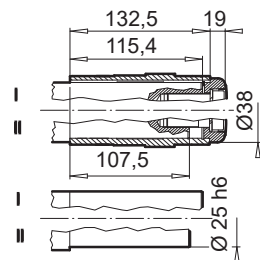
SK 0282.1 AXZN

SK 0282.1 VXZN

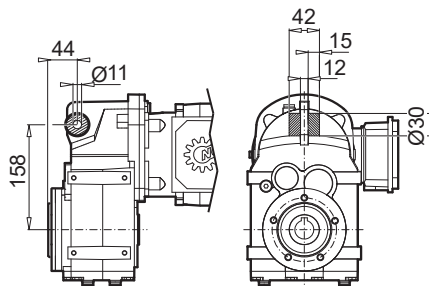


UNICASE™ Parallel shaft gear units

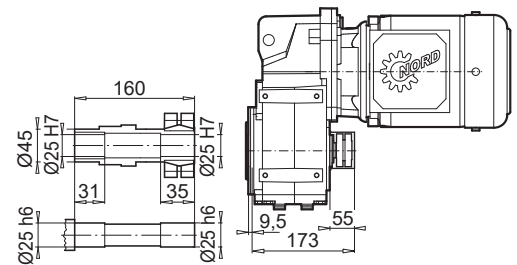
SK 0282.1AXZ(N)B



SK 0282.1AXZ(N)G / VXZ(N)G



SK 0282.1AXZSH

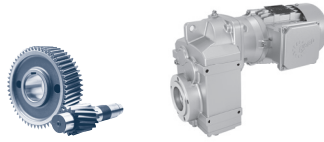


± ⇄ A60	63 SP/LP	71 SP/LP	80 SP/LP	90 SP/LP
g	130	145	164	184
g1 / g1Bre	116 / 123	124 / 133	142 / 142	147 / 147
k / kBre	376,5 / 432,5	416,5 / 474,5	441,5 / 491,5	482,5 / 547,5
k1 / kBre	326,5 / 382,5	366,5 / 424,5	391,5 / 455,5	432,5 / 507,5
o / oBre	196 / 252	236 / 294	261 / 325	302 / 377
m / mBre	16 / 22	42 / 48	47 / 50	52 / 55
n / nBre	100 / 134	100 / 134	114 / 153	114 / 153
p / pBre	100 / 89	100 / 89	114 / 108	114 / 108



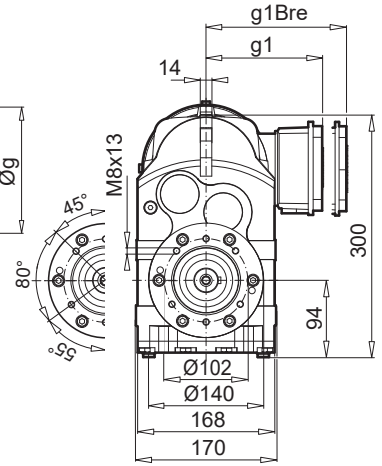
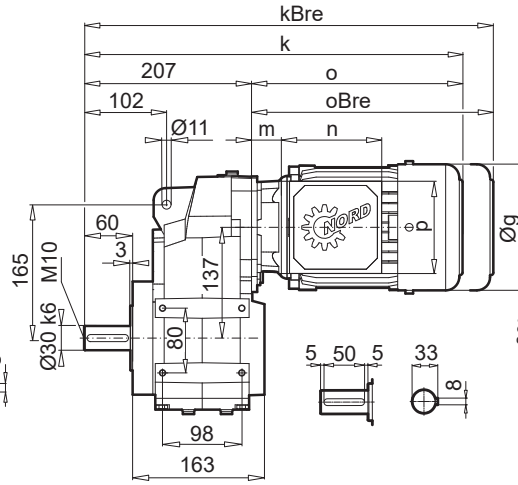
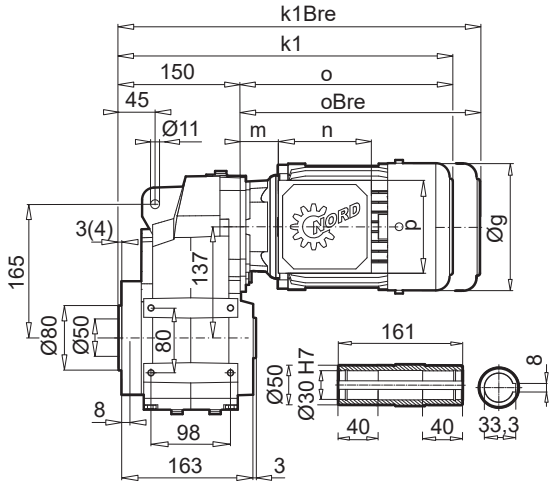
W ⇄ D119
IEC, NEMA ⇄ D120

SK 1282.1



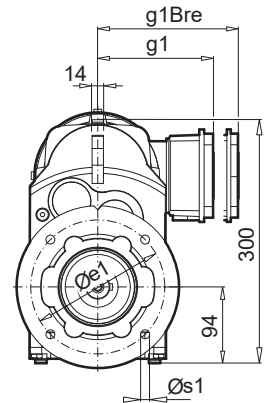
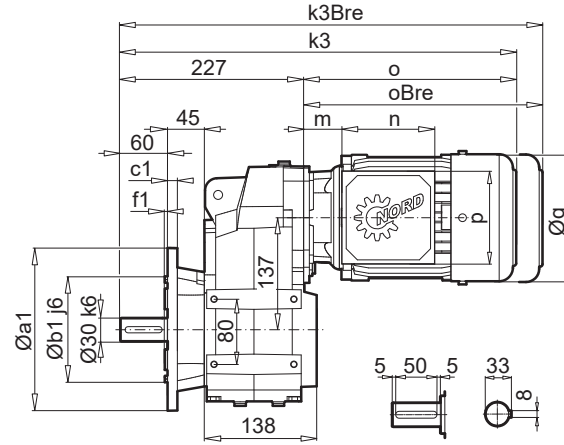
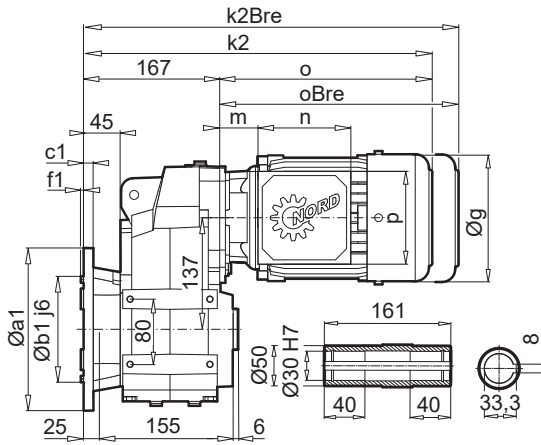
SK 1282.1 AXZ

SK 1282.1 VXZ



SK 1282.1 AXF

SK 1282.1 VXF



UNICASE™ Parallel shaft gear units

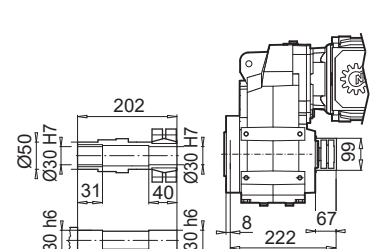
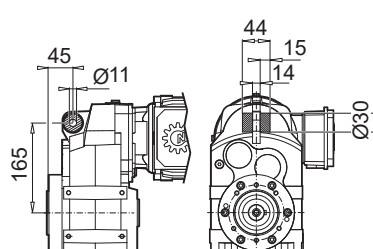
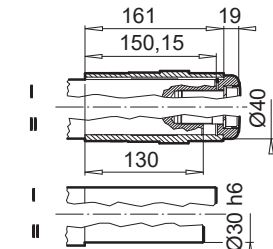
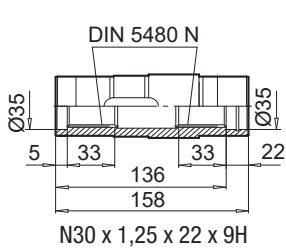
a1	b1	c1	e1	f1	s1
200	130	12	165	3,5	4 x 11

SK 1282.1EA

SK 1282.1AXFB / AXZB

SK 1282.1AXZG / VXZG

SK 1282.1AXZSH

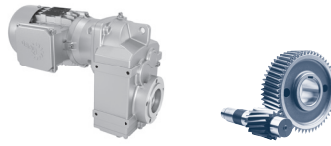


± 0/A60	63 SP/LP	71 SP/LP	80 SP/LP	90 SP/LP	APAB 100 LP/AP	100 LP/AP	112 MP
g	130	145	164	184	202	202	226
g1 / g1Bre	116 / 123	124 / 133	142 / 142	147 / 147	169 / 172	169 / 172	179 / 182
k / kBre	403 / 459	443 / 501	468 / 532	509 / 584	539 / 630	539 / 630	562 / 656
k1 / k1Bre	346 / 402	386 / 444	411 / 475	452 / 527	482 / 573	482 / 573	505 / 599
k2 / k2Bre	364 / 420	403 / 462	428 / 493	470 / 545	500 / 590	500 / 590	522 / 616
k3 / k2Bre	423 / 479	463 / 521	488 / 552	530 / 604	560 / 650	560 / 650	582 / 676
o / oBre	196 / 252	236 / 294	261 / 325	302 / 377	332 / 423	332 / 423	355 / 449
m / mBre	16 / 22	42 / 48	47 / 50	52 / 55	58 / 62	58 / 62	64 / 67
n / nBre	100 / 134	100 / 134	114 / 153	114 / 153	114 / 153	114 / 153	114 / 153
p / pBre	100 / 89	100 / 89	114 / 108	114 / 108	114 / 108	114 / 108	114 / 108



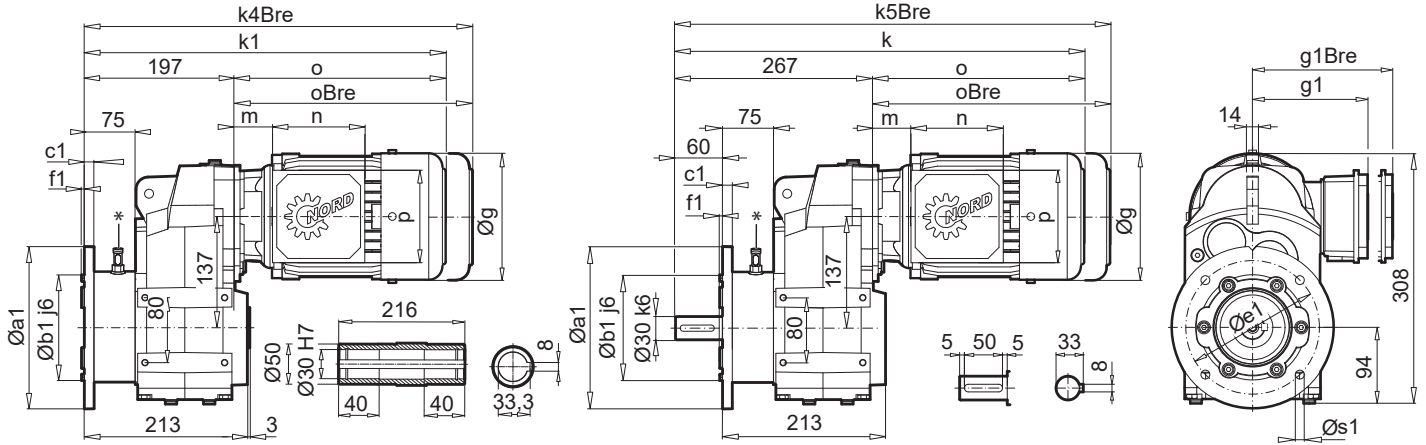
W ⇨ A60 D119
IEC, NEMA ⇨ D120





SK 1282.1 AXF VL2 / VL3

SK 1282.1 VXF VL2 / VL3

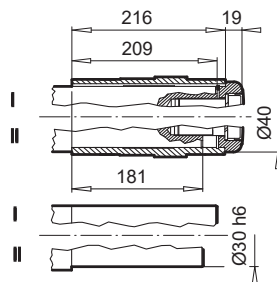


* Oil leak indicator or oil sensor for option VL3

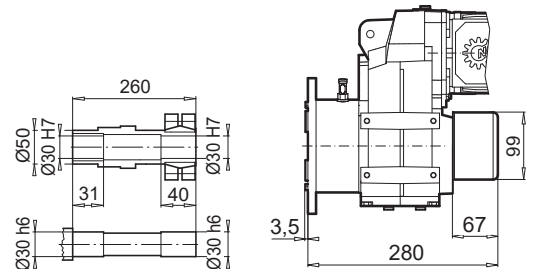
a1	b1	c1	e1	f1	s1
200	130	12	165	3,5	4 x 11

UNICASE™ Parallel shaft gear units

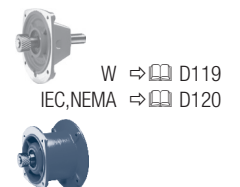
SK 1282.1AXF VL2/3 B



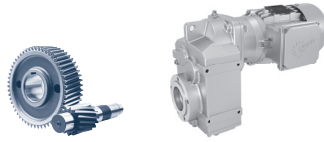
SK 1282.1AXF VL2/3 SH



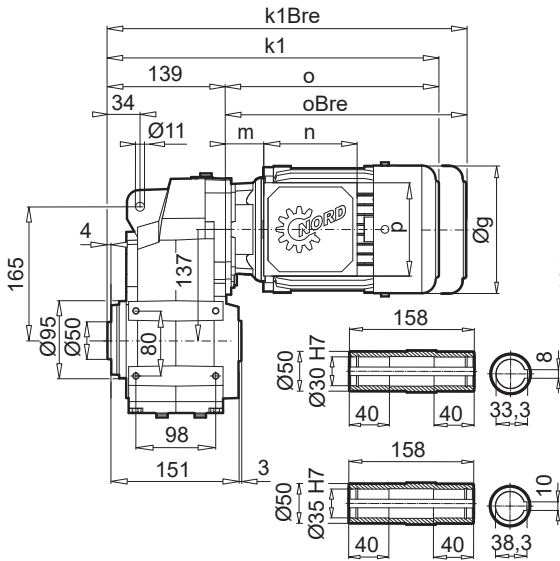
± A60	63 SP/LP	71 SP/LP	80 SP/LP	90 SP/LP	APAB 100 LP/AP	100 LP/AP	112 MP
g	130	145	164	184	202	202	226
g1 / g1Bre	116 / 123	124 / 133	142 / 142	147 / 147	169 / 172	169 / 172	179 / 182
k / kBre	393 / 449	433 / 491	458 / 522	499 / 574	529 / 620	529 / 620	552 / 646
k1 / k1Bre	453 / 509	493 / 551	518 / 582	560 / 634	590 / 680	590 / 680	612 / 706
o / oBre	196 / 252	236 / 294	261 / 325	302 / 377	332 / 423	332 / 423	355 / 449
m / mBre	16 / 22	42 / 48	47 / 50	52 / 55	58 / 62	58 / 62	64 / 67
n / nBre	100 / 134	100 / 134	114 / 153	114 / 153	114 / 153	114 / 153	114 / 153
p / pBre	100 / 89	100 / 89	114 / 108	114 / 108	114 / 108	114 / 108	114 / 108



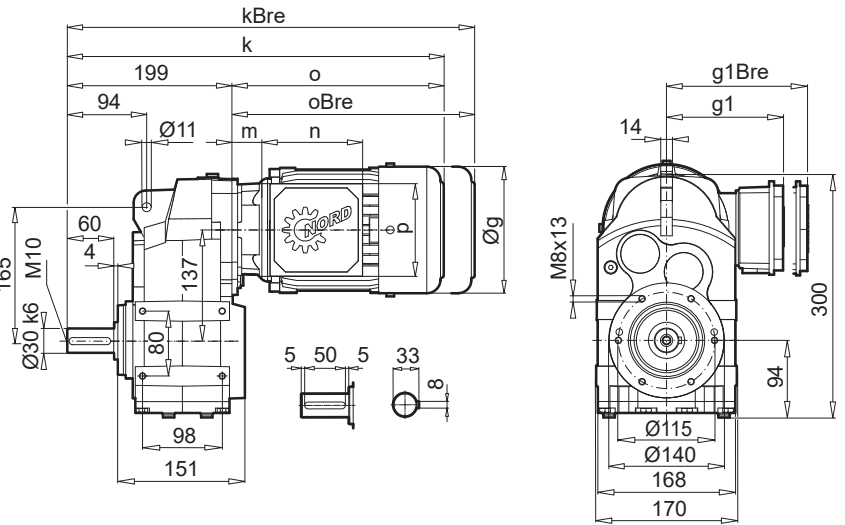
SK 1282.1 ... N



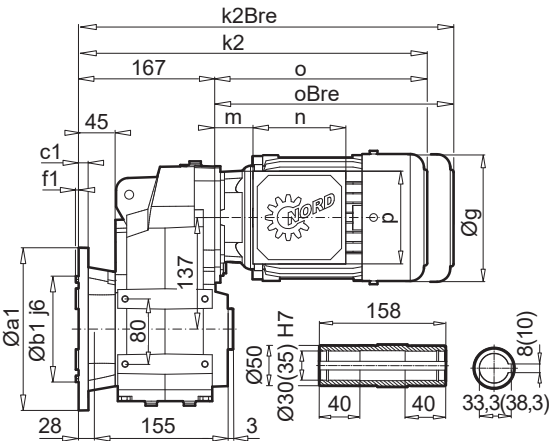
SK 1282.1 AXZN



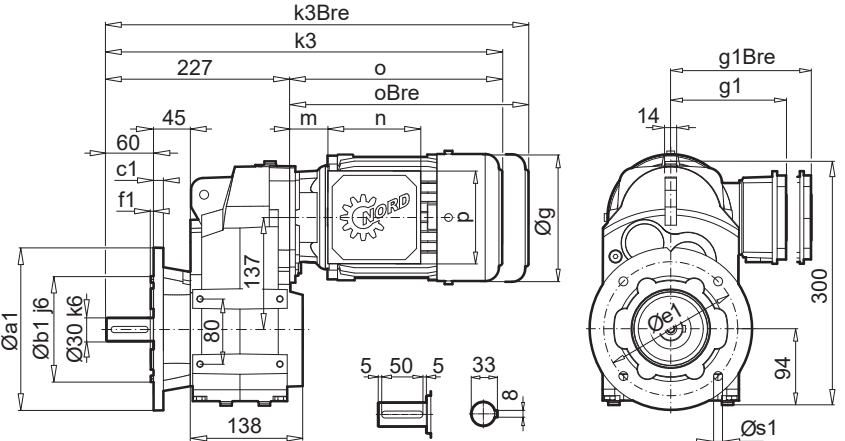
SK 1282.1 VXZN



SK 1282.1 AXF

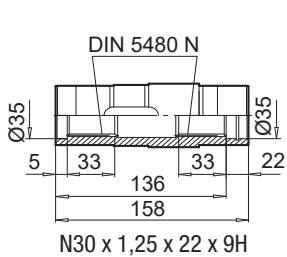


SK 1282.1 VXF

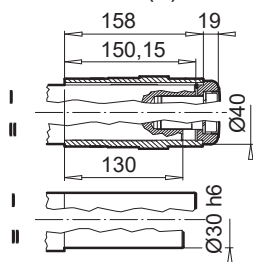


UNICASE™ Parallel shaft gear units

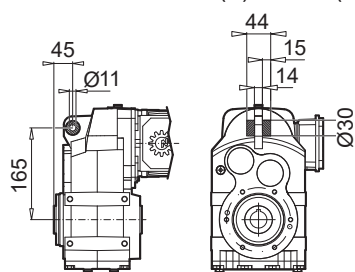
SK 1282.1EA



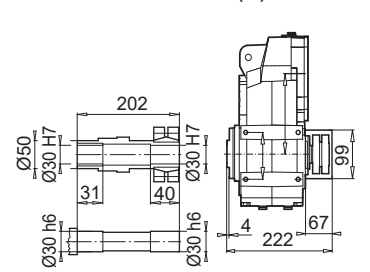
SK 1282.1AXF(N)B / AXZ(N)B



SK 1282.1AXZ(N)G / VXZ(N)G



SK 1282.1AXZ(N)SH

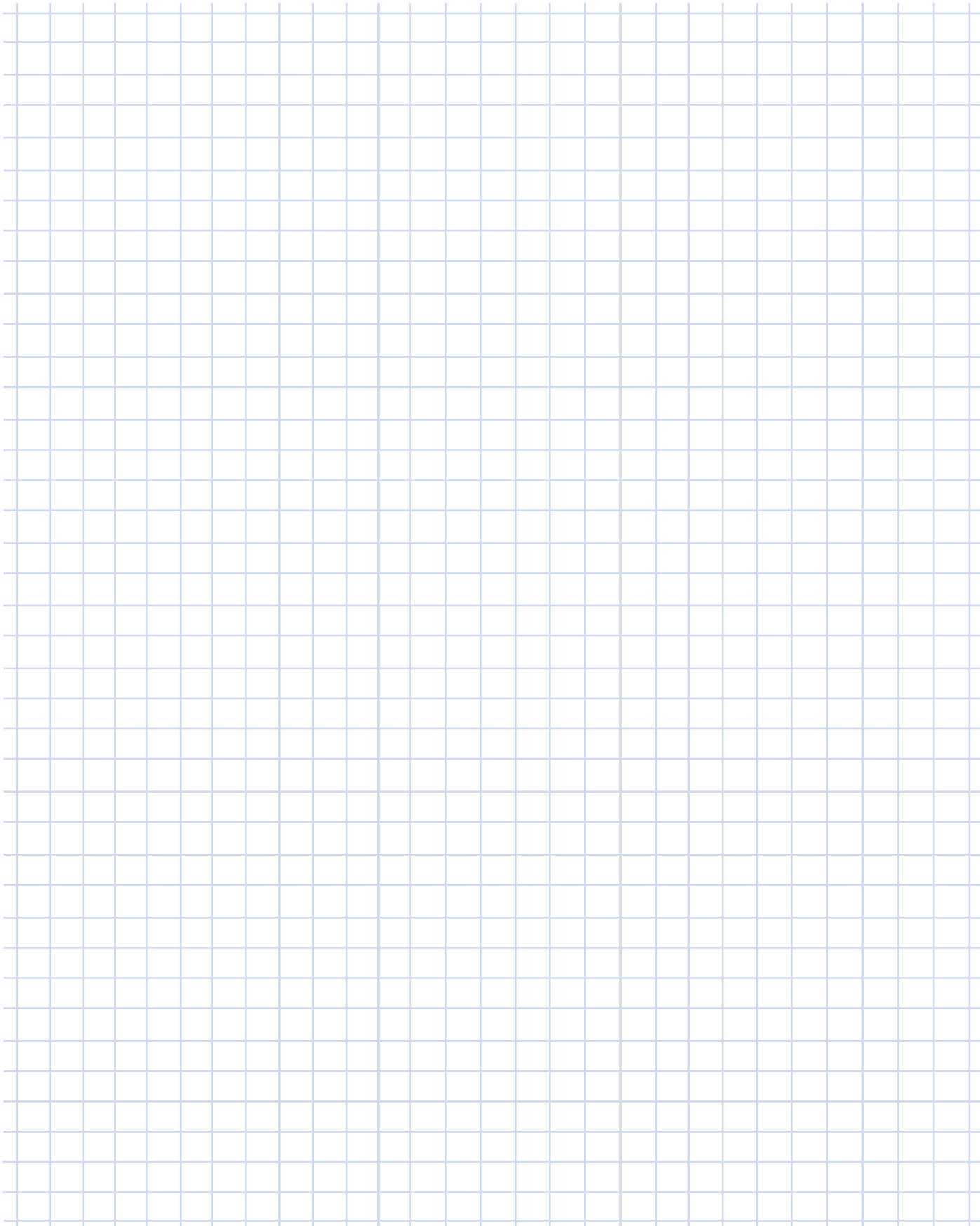


± → A60	63 SP/LP	71 SP/LP	80 SP/LP	90 SP/LP	APAB 100 LP/AP	100 LP/AP	112 MP
g	130	145	164	184	202	202	226
g1 / g1Bre	116 / 123	124 / 133	142 / 142	147 / 147	169 / 172	169 / 172	179 / 182
k / kBre	395 / 451	435 / 493	460 / 524	501 / 576	531 / 622	531 / 622	554 / 648
k1 / k1Bre	335 / 391	375 / 433	400 / 464	441 / 516	471 / 562	471 / 562	494 / 588
k2 / k2Bre	364 / 420	403 / 462	428 / 493	470 / 545	500 / 590	500 / 590	522 / 616
k3 / k2Bre	423 / 479	463 / 521	488 / 552	530 / 604	560 / 650	560 / 650	582 / 676
o / oBre	196 / 252	236 / 294	261 / 325	302 / 377	332 / 423	332 / 423	355 / 449
m / mBre	16 / 22	42 / 48	47 / 50	52 / 55	58 / 62	58 / 62	64 / 67
n / nBre	100 / 134	100 / 134	114 / 153	114 / 153	114 / 153	114 / 153	114 / 153
p / pBre	100 / 89	100 / 89	114 / 108	114 / 108	114 / 108	114 / 108	114 / 108

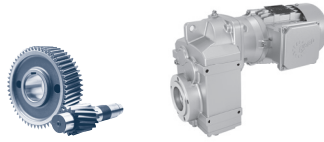


W → D119
IEC, NEMA → D120

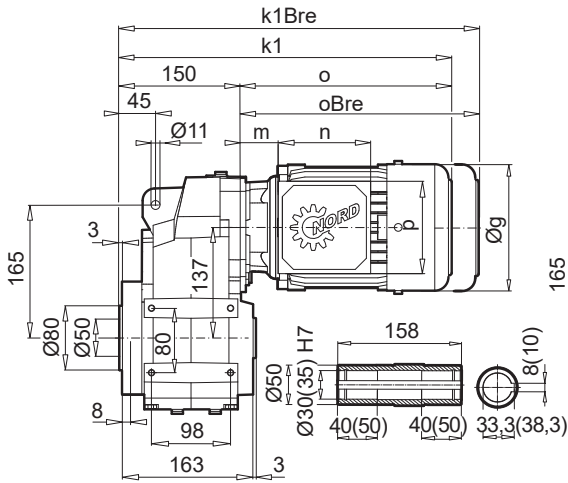




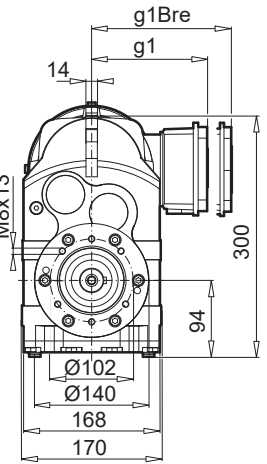
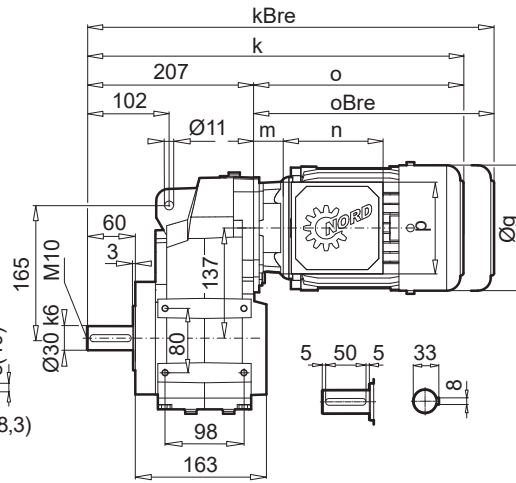
SK 1382.1



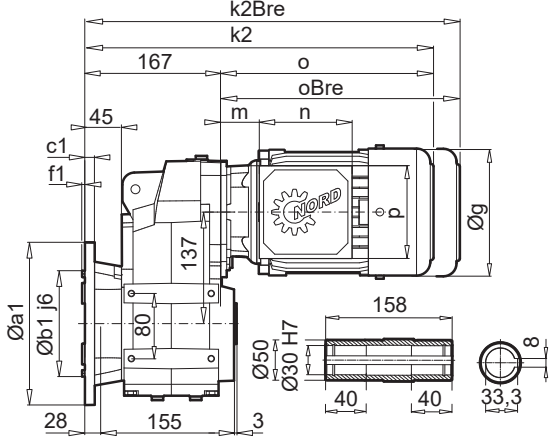
SK 1382.1 AXZ



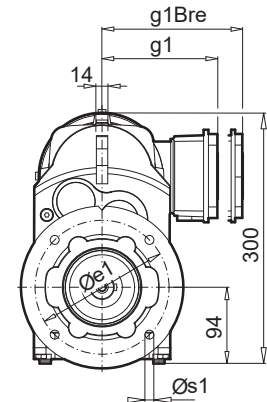
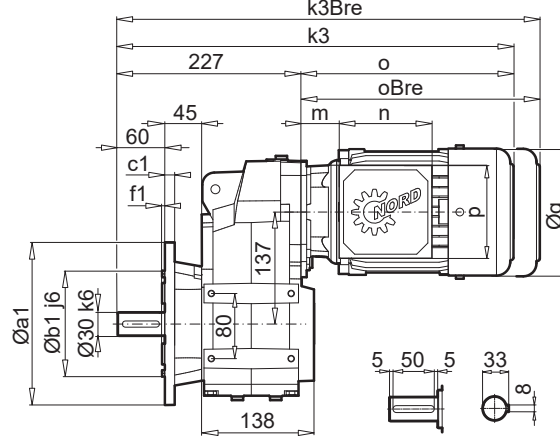
SK 1382.1 VXZ



SK 1382.1 AXF

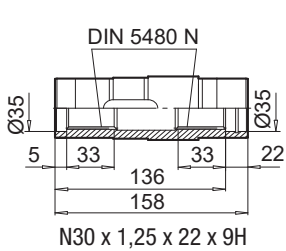


SK 1382.1 VXF

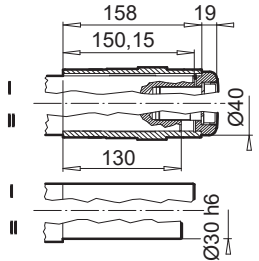


a1	b1	c1	e1	f1	s1
200	130	12	165	3,5	4 x 11

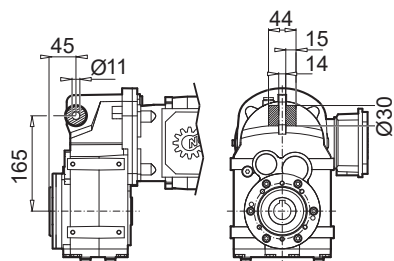
SK 1382.1EA



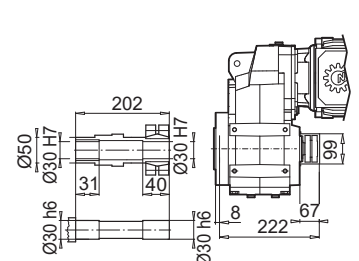
SK 1382.1AXFB / AXZB



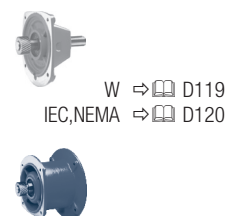
SK 1382.1AXZG / VXZG



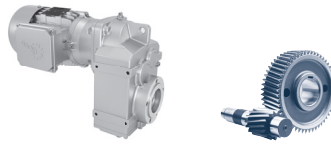
SK 1382.1AXZSH



± √ A60	63 SP/LP	71 SP/LP	80 SP/LP	90 SP/LP	APAB 100 LP/AP	100 LP/AP
g	130	145	164	184	202	202
g1 / g1Bre	116 / 123	124 / 133	142 / 142	147 / 147	169 / 172	169 / 172
k / kBre	403 / 459	443 / 501	468 / 532	509 / 584	539 / 630	539 / 630
k1 / k1Bre	346 / 402	386 / 444	411 / 475	452 / 527	482 / 573	482 / 573
k2 / k2Bre	364 / 420	403 / 462	428 / 493	470 / 545	500 / 590	500 / 590
k3 / k2Bre	423 / 479	463 / 521	488 / 552	530 / 604	560 / 650	560 / 650
o / oBre	196 / 252	236 / 294	261 / 325	302 / 377	332 / 423	332 / 423
m / mBre	16 / 22	42 / 48	47 / 50	52 / 55	58 / 62	58 / 62
n / nBre	100 / 134	100 / 134	114 / 153	114 / 153	114 / 153	114 / 153
p / pBre	100 / 89	100 / 89	114 / 108	114 / 108	114 / 108	114 / 108

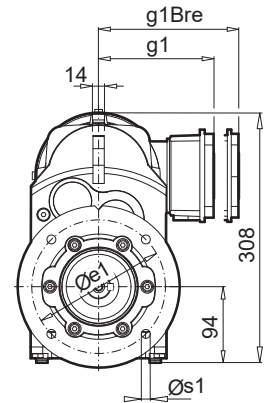
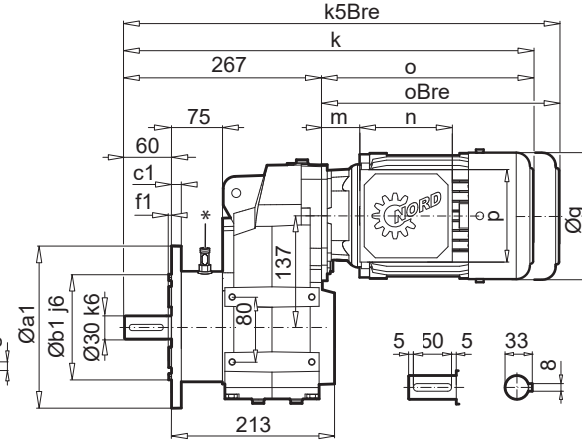
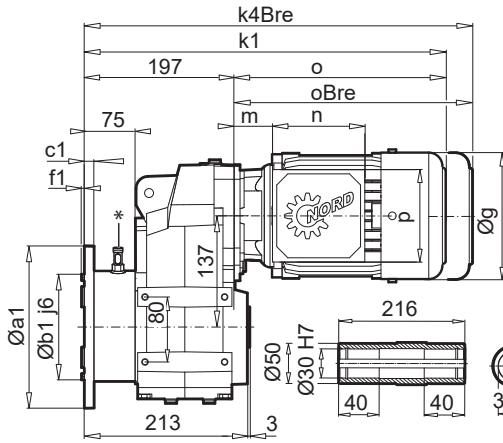


UNICASE™ Parallel shaft gear units



SK 1382.1 AXF VL2/VL3

SK 1382.1 VXF VL2/VL3

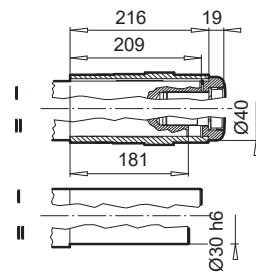


* Oil leak indicator or oil sensor for option VL3

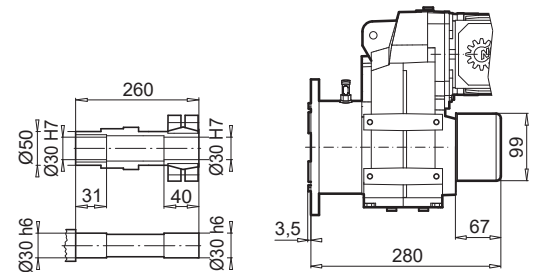
a1	b1	c1	e1	f1	s1
200	130	12	165	3,5	4 x 11

UNICASE™ Parallel shaft gear units

SK 1382.1AXF VL2/3 B



SK 1382.1AXF VL2/3 SH



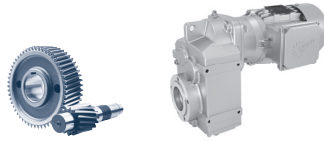
± ⇨ A60	63 SP/LP	71 SP/LP	80 SP/LP	90 SP/LP	APAB 100 LP/AP	100 LP/AP	112 MP
g	130	145	164	184	202	202	226
g1 / g1Bre	116 / 123	124 / 133	142 / 142	147 / 147	169 / 172	169 / 172	179 / 182
k / kBre	393 / 449	433 / 491	458 / 522	499 / 574	529 / 620	529 / 620	552 / 646
k1 / k1Bre	453 / 509	493 / 551	518 / 582	560 / 634	590 / 680	590 / 680	612 / 706
o / oBre	196 / 252	236 / 294	261 / 325	302 / 377	332 / 423	332 / 423	355 / 449
m / mBre	16 / 22	42 / 48	47 / 50	52 / 55	58 / 62	58 / 62	64 / 67
n / nBre	100 / 134	100 / 134	114 / 153	114 / 153	114 / 153	114 / 153	114 / 153
p / pBre	100 / 89	100 / 89	114 / 108	114 / 108	114 / 108	114 / 108	114 / 108



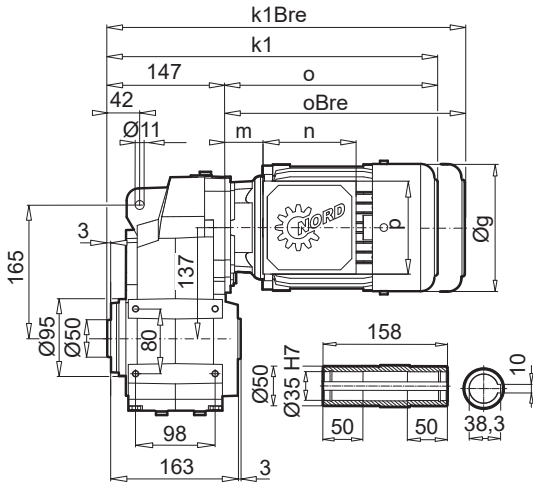
W ⇨ D119 IEC, NEMA ⇨ D120



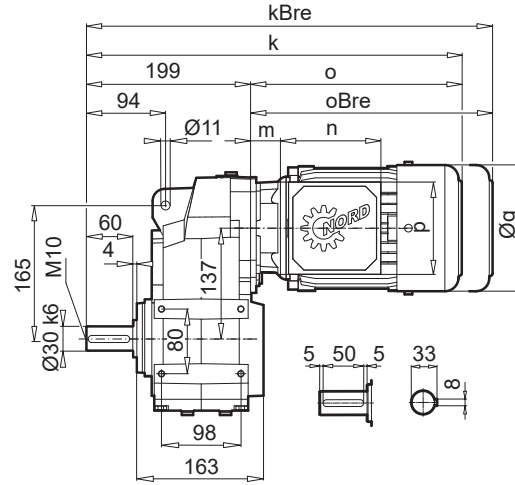
SK 1382.1 ... N



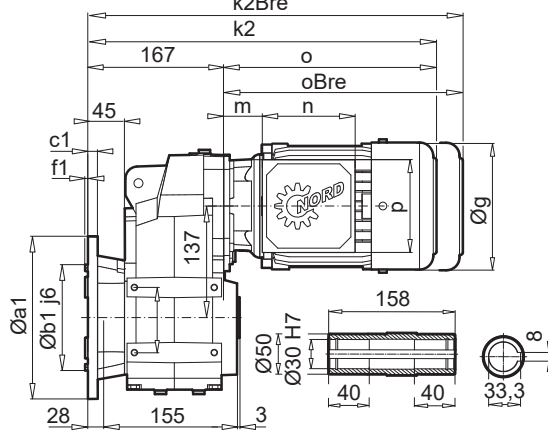
SK 1382.1 AXZN



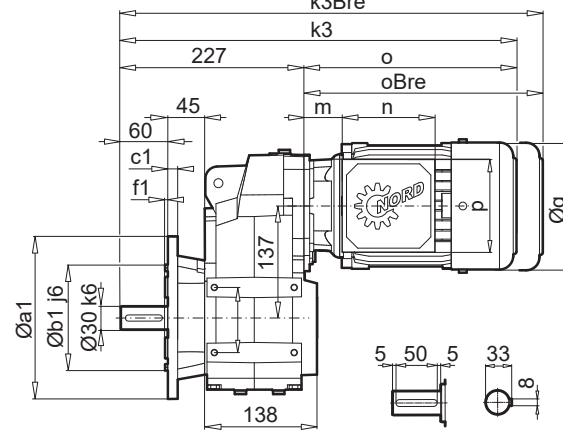
SK 1382.1 VXZN



SK 1382.1 AXF

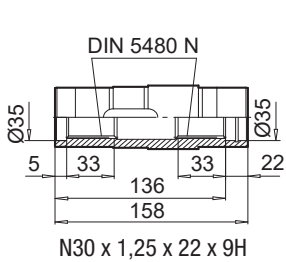


SK 1382.1 VXF

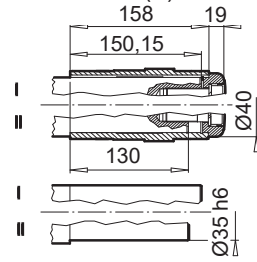


a1	b1	c1	e1	f1	s1
200	130	12	165	3,5	4 x 11

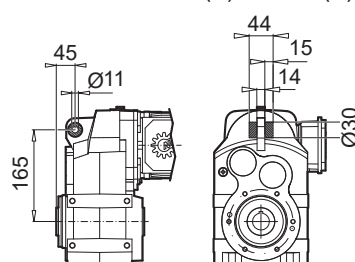
SK 1382.1EA



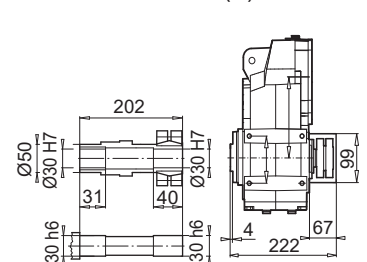
SK 1382.1AXF(N)B / AXZ(N)B



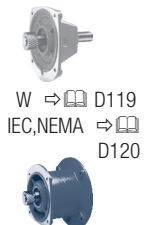
SK 1382.1AXZ(N)G / VXZ(N)G



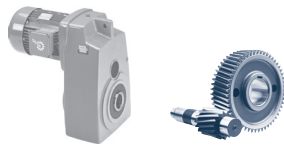
SK 1382.1AXZ(N)SH



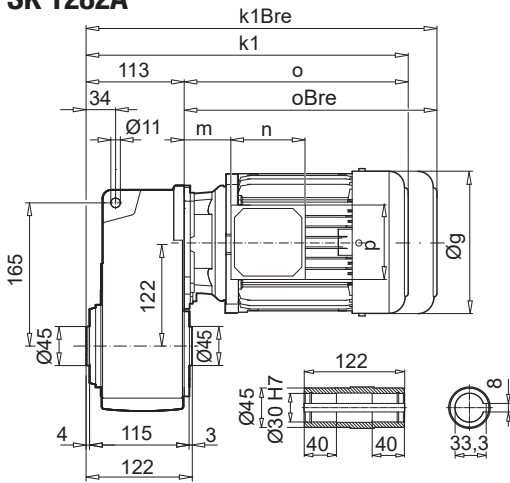
± → A60	63 SP/LP	71 SP/LP	80 SP/LP	90 SP/LP	APAB 100 LP/AP	100 LP/AP
g	130	145	164	184	202	202
g1 / g1Bre	116 / 123	124 / 133	142 / 142	147 / 147	169 / 172	169 / 172
k / kBre	403 (395) / 459 (451)	443 (435) / 501 (493)	468 (460) / 532 (524)	509 (501) / 584 (576)	539 (531) / 630 (622)	539 (531) / 630 (622)
k1 / k1Bre	346 (335) / 402 (391)	386 (375) / 444 (433)	411 (400) / 475 (464)	452 (441) / 527 (516)	482 (471) / 573 (562)	482 (471) / 573 (562)
k2 / k2Bre	364 / 420	403 / 462	428 / 493	470 / 545	500 / 590	500 / 590
k3 / k2Bre	423 / 479	463 / 521	488 / 552	530 / 604	560 / 650	560 / 650
o / oBre	196 / 252	236 / 294	261 / 325	302 / 377	332 / 423	332 / 423
m / mBre	16 / 22	42 / 48	47 / 50	52 / 55	58 / 62	58 / 62
n / nBre	100 / 134	100 / 134	114 / 153	114 / 153	114 / 153	114 / 153
p / pBre	100 / 89	100 / 89	114 / 108	114 / 108	114 / 108	114 / 108



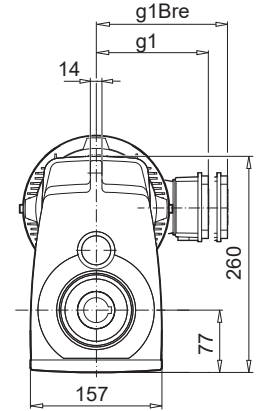
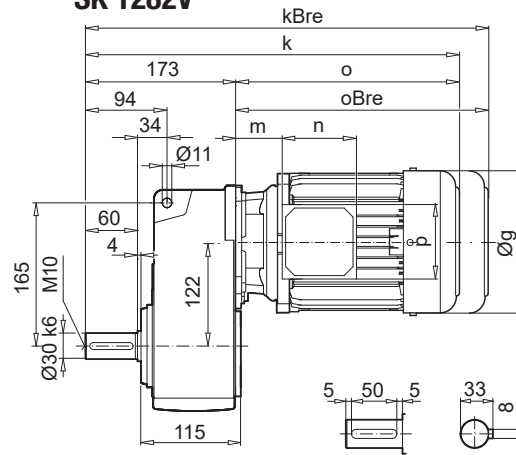
UNICASE™ Parallel shaft gear units



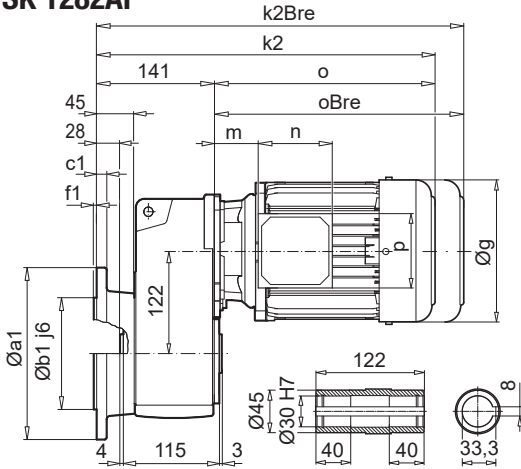
SK 1282A



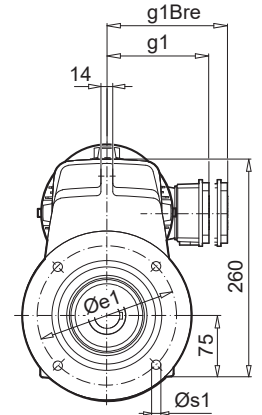
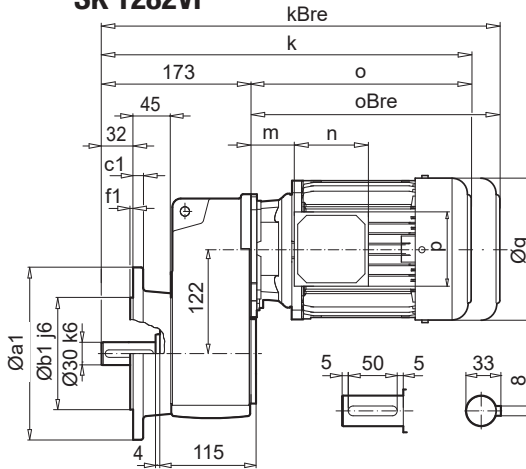
SK 1282V



SK 1282AF

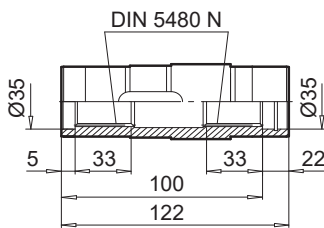


SK 1282VF



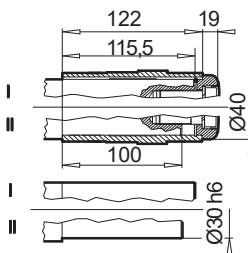
a1	b1	c1	e1	f1	s1
200	130	12	165	3,5	4 x 11

SK 1282EA

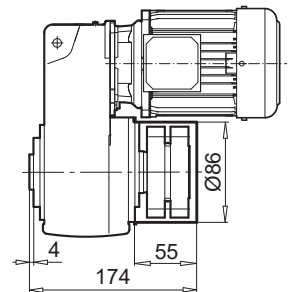
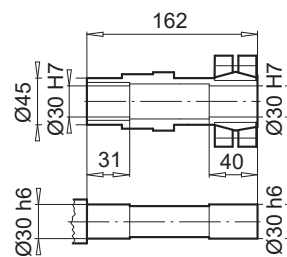


N30 x 1,25 x 30 x 22 x 9H

SK 1282AB / AFB



SK 1282ASH (AFSH)



UNICASE™ Parallel shaft gear units

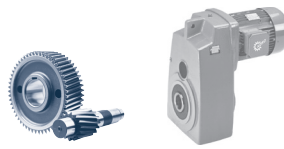
± ↗ A60	63 SP/LP	71 SP/LP	80 SP/LP	90 SP/LP	100 LP/AP	112 MP
g	130	145	165	183	201	228
g1 / g1Bre	115 / 123	124 / 132	142 / 142	147 / 147	169 / 173	179 / 182
k / kBre	369 / 425	409 / 467	434 / 498	475 / 550	505 / 596	553 / 646
k1 / k1Bre	309 / 365	349 / 407	374 / 438	415 / 490	445 / 536	493 / 586
k2 / k2Bre	337 / 393	377 / 435	402 / 466	443 / 518	473 / 564	521 / 614
o / oBre	196 / 252	236 / 294	261 / 325	302 / 377	332 / 423	380 / 473
m / mBre	16 / 22	42 / 48	47 / 51	52 / 56	58 / 62	64 / 67
n / nBre	100 / 134	100 / 134	114 / 153	114 / 153	114 / 153	114 / 153
p / pBre	100 / 89	100 / 89	114 / 108	114 / 108	114 / 108	114 / 108



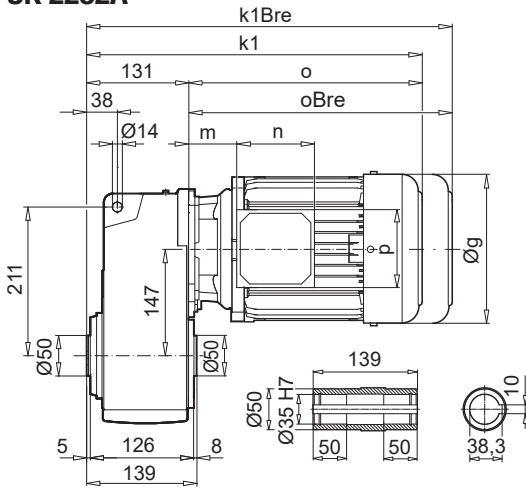
W ↗ D120
IEC, NEMA ↗ D122



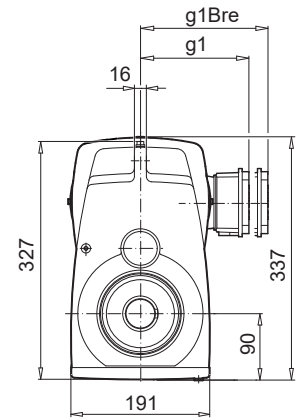
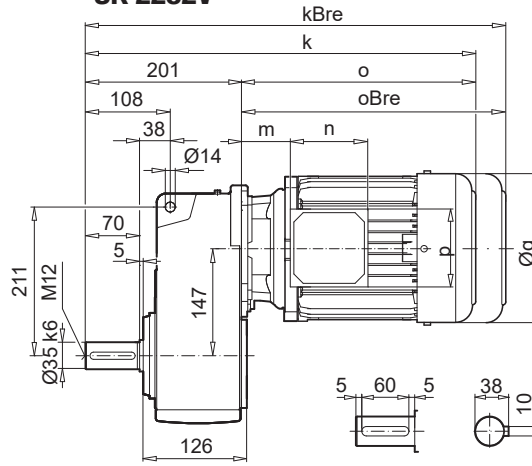
SK 2282



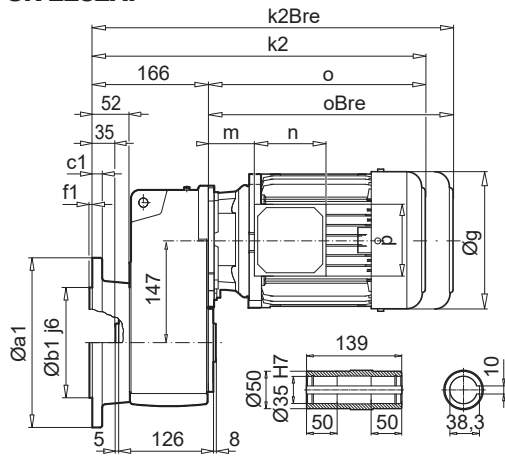
SK 2282A



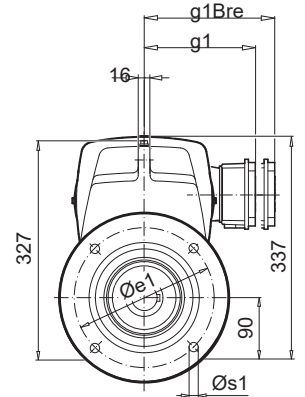
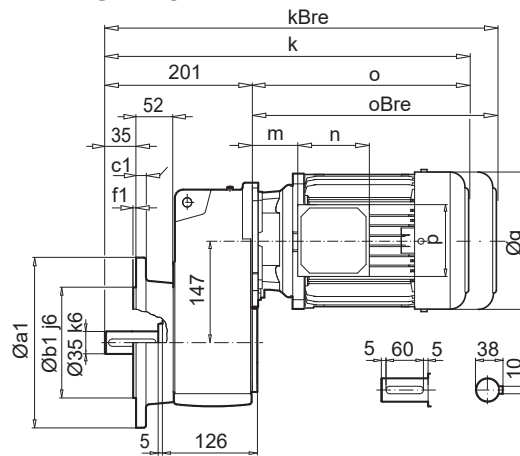
SK 2282V



SK 2282AF



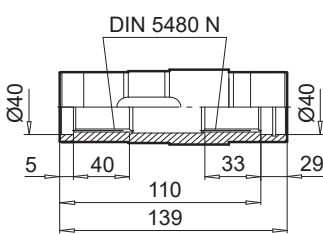
SK 2282VF



UNICASE™ Parallel shaft gear units

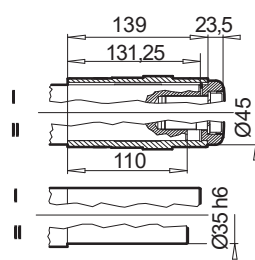
a1	b1	c1	e1	f1	s1
250	180	16	215	4	4 x 13,5

SK 2282EA

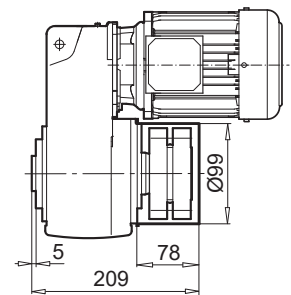
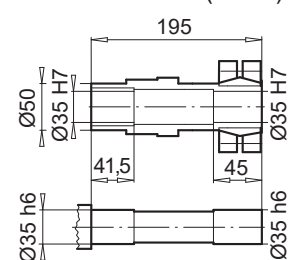


N35 x 2 x 30 x 16 x 9H

SK 2282AB / AFB



SK 2282ASH (AFSH)

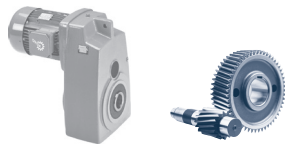


± ↗ A60	71 SP/LP	80 SP/LP	90 SP/LP	100 LP/AP	112 MP	132 SP/MP
g	145	165	184	201	228	266
g1 / g1Bre	124 / 132	142 / 142	147 / 147	169 / 173	179 / 182	204 / 201
k / kBre	431 / 489	456 / 520	497 / 572	527 / 618	575 / 668	636 / 743
k1 / k1Bre	361 / 419	386 / 450	427 / 502	457 / 548	505 / 598	566 / 673
k2 / k2Bre	396 / 454	421 / 485	462 / 537	492 / 583	540 / 633	601 / 708
o / oBre	230 / 288	255 / 319	296 / 371	326 / 417	374 / 467	435 / 542
m / mBre	36 / 42	41 / 44	46 / 50	52 / 56	58 / 61	71 / 62
n / nBre	100 / 134	114 / 153	114 / 153	114 / 153	114 / 153	122 / 185
p / pBre	100 / 89	114 / 108	114 / 108	114 / 108	114 / 108	122 / 139

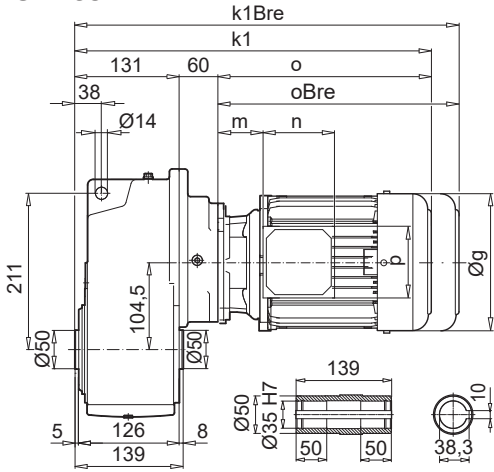


W ↗ D120
IEC, NEMA ↗ D122

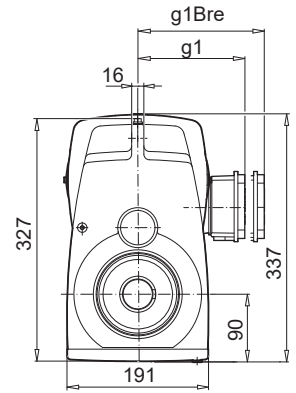
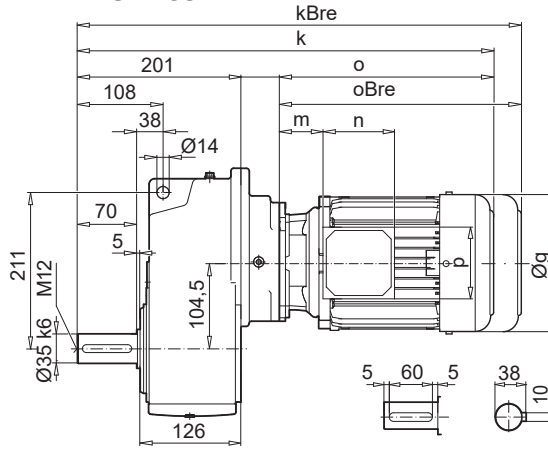




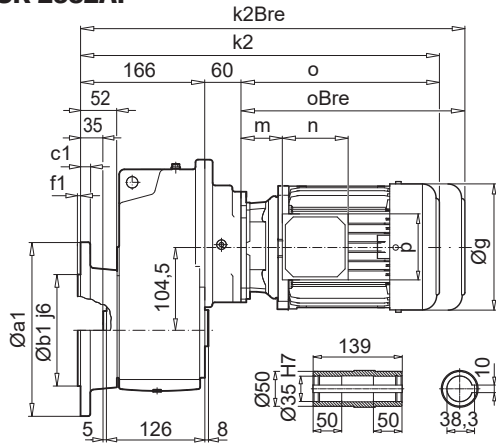
SK 2382A



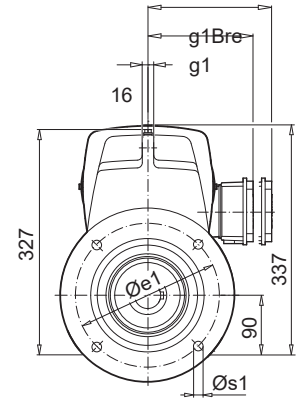
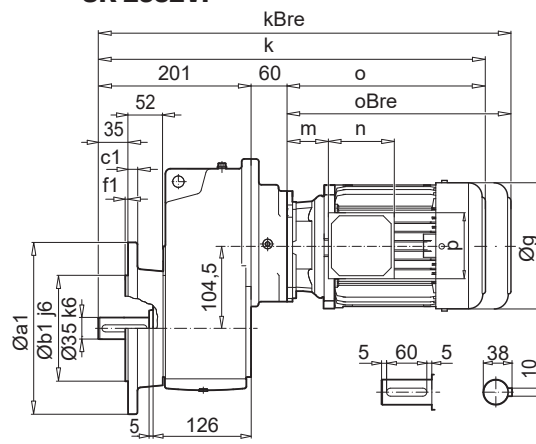
SK 2382V



SK 2382AF

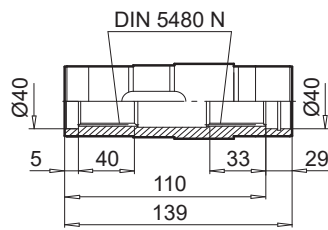


SK 2382VF



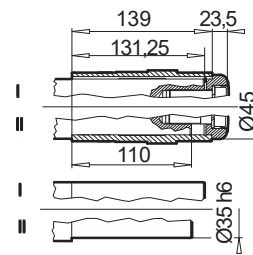
a1	b1	c1	e1	f1	s1
250	180	16	215	4	4 x 13,5

SK 2382EA



N35 x 2 x 30 x 16 x 9H

SK 2382AB / AFB



± → A60	63 SP/LP	71 SP/LP	80 SP/LP	90 SP
g	130	145	165	184
g1 / g1Bre	115 / 123	124 / 132	142 / 142	147 / 147
k / kBre	457 / 513	497 / 555	522 / 586	563 / 638
k1 / k1Bre	387 / 443	427 / 485	452 / 516	493 / 568
k2 / k2Bre	423 / 479	462 / 520	487 / 551	528 / 603
o / oBre	196 / 252	236 / 294	261 / 325	296 / 371
m / mBre	16 / 22	42 / 48	47 / 50	52 / 56
n / nBre	100 / 134	100 / 134	114 / 153	114 / 153
p / pBre	100 / 89	100 / 89	114 / 108	114 / 108

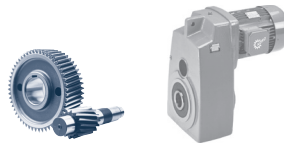


W → D120
IEC, NEMA → D126

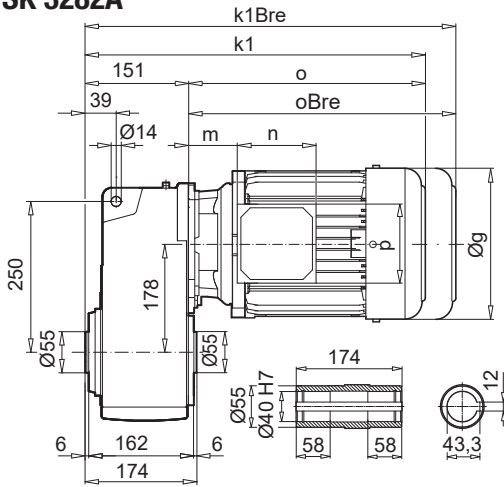


UNICASE™ Parallel shaft gear units

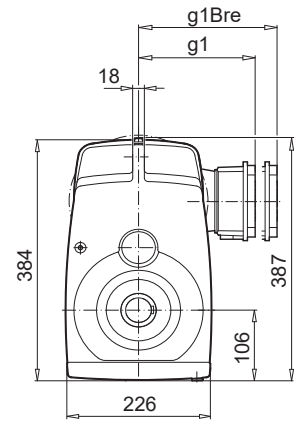
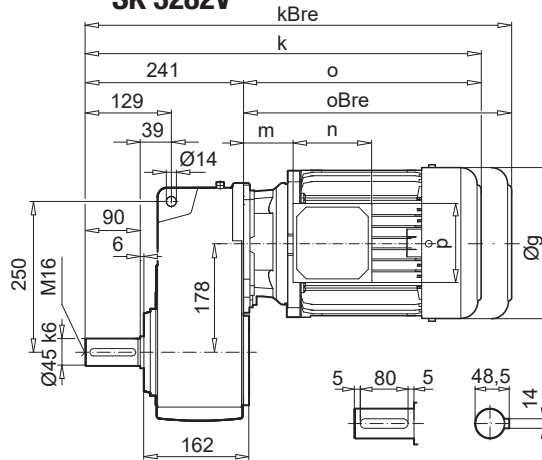
SK 3282



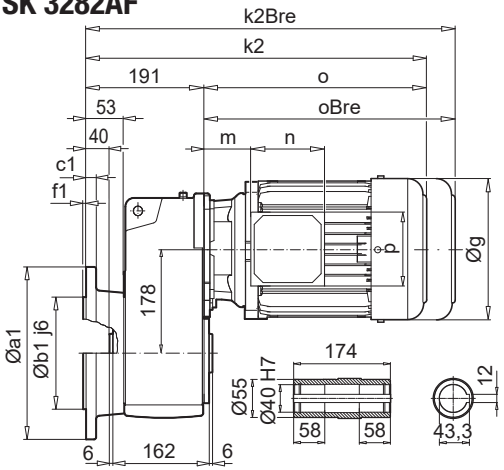
SK 3282A



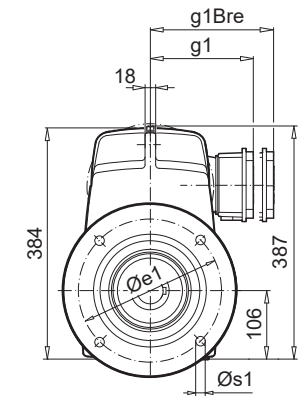
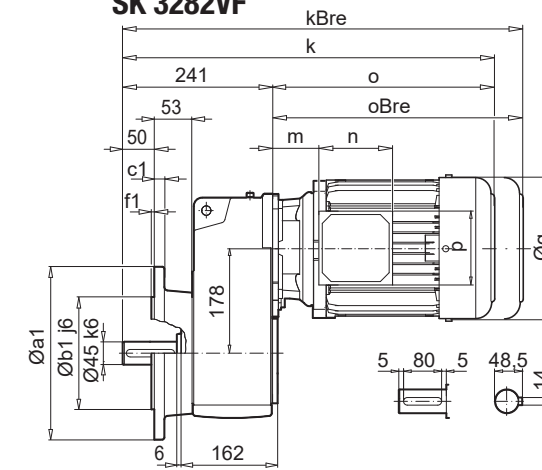
SK 3282V



SK 3282AF



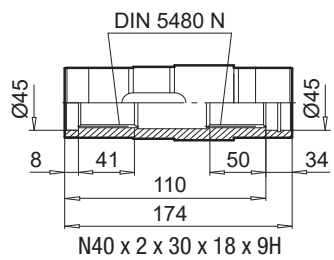
SK 3282VF



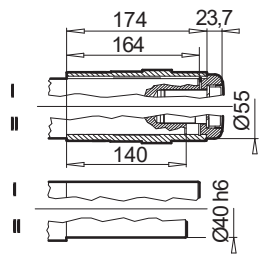
UNICASE™ Parallel shaft gear units

a1	b1	c1	e1	f1	s1
250	180	15	215	4	4 x 13,5
300	230	20	265	4	4 x 13,5

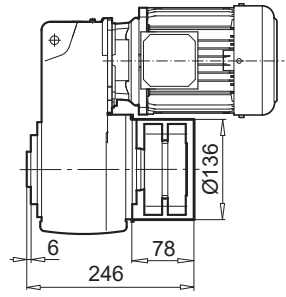
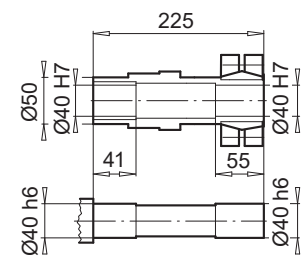
SK 3282EA



SK 3282AB / AFB



SK 3282ASH (AFSH)

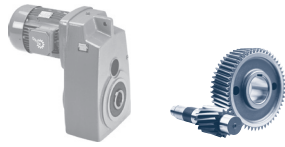


± ↗ A60	71 S/L	80 S/SH	80 LP	90 SP/LP	100 LP/AP	112 MP	132 SP/MP
g	145	165	165	184	201	228	266
g1 / g1Bre	124 / 132	142 / 142	142 / 142	147 / 147	169 / 173	179 / 182	204 / 201
k / kBre	471 / 529	496 / 560	496 / 560	537 / 612	567 / 658	615 / 708	676 / 783
k1 / k1Bre	381 / 439	406 / 470	406 / 470	447 / 522	477 / 568	525 / 618	586 / 693
k2 / k2Bre	421 / 479	446 / 510	446 / 510	487 / 562	517 / 608	565 / 658	626 / 733
o / oBre	230 / 288	255 / 319	255 / 319	296 / 371	326 / 417	374 / 467	435 / 542
m / mBre	36 / 42	41 / 44	41 / 44	46 / 50	52 / 56	58 / 61	71 / 62
n / nBre	100 / 134	114 / 153	114 / 153	114 / 153	114 / 153	114 / 153	122 / 185
p / pBre	100 / 89	114 / 108	114 / 108	114 / 108	114 / 108	114 / 108	122 / 139

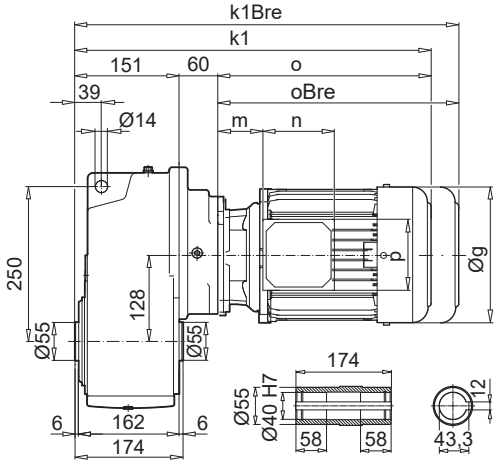


W ↗ D120
IEC, NEMA ↗ D123

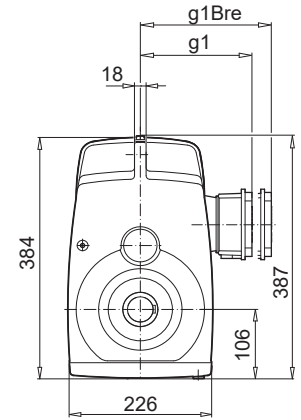
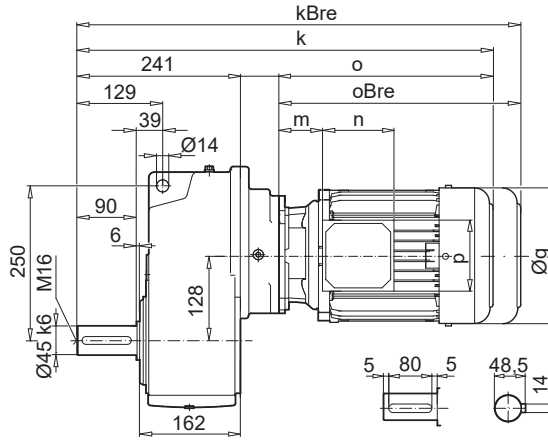




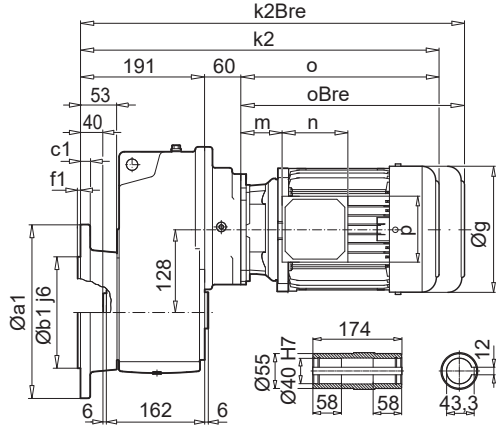
SK 3382A



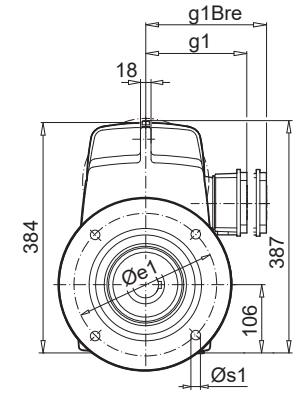
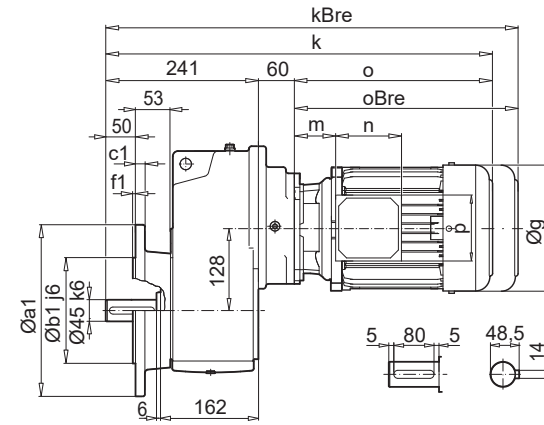
SK 3382V



SK 3382AF

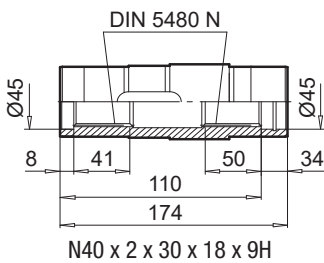


SK 3382VF

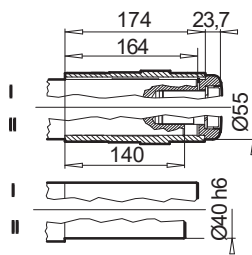


a1	b1	c1	e1	f1	s1
250	180	15	215	4	4 x 13,5
300	230	20	265	4	4 x 13,5

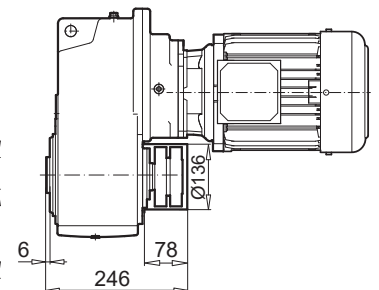
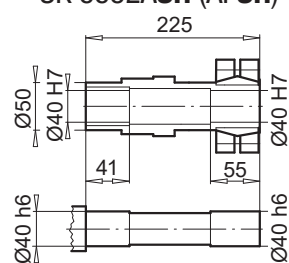
SK 3382EA



SK 3382AB / AFB



SK 3382ASH (AFSH)



± ↗ A60	63 SP/LP	71 SP/LP	80 SP/LP	90 SP
g	130	145	165	184
g1 / g1Bre	115 / 123	124 / 132	142 / 142	147 / 147
k / kBre	497 / 553	537 / 565	562 / 626	603 / 678
k1 / k1Bre	407 / 463	447 / 475	472 / 536	513 / 588
k2 / k2Bre	443 / 503	487 / 515	512 / 576	553 / 628
o / oBre	196 / 252	236 / 294	261 / 325	302 / 377
m / mBre	16 / 22	42 / 48	47 / 50	52 / 56
n / nBre	100 / 134	100 / 134	114 / 153	114 / 153
p / pBre	100 / 89	100 / 89	114 / 108	114 / 108

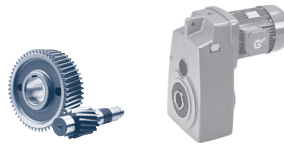


W ↗ A D120
IEC, NEMA ↗ A D126

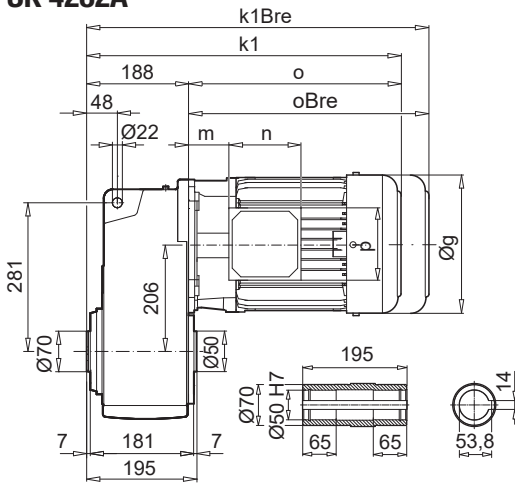


UNICASE™ Parallel shaft gear units

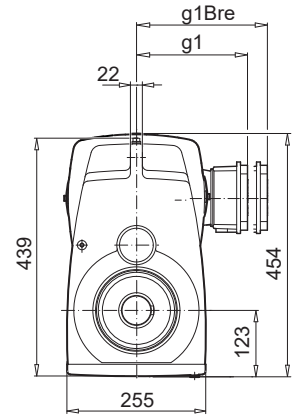
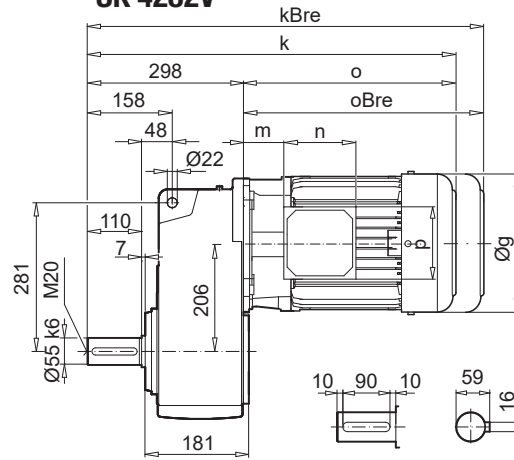
SK 4282



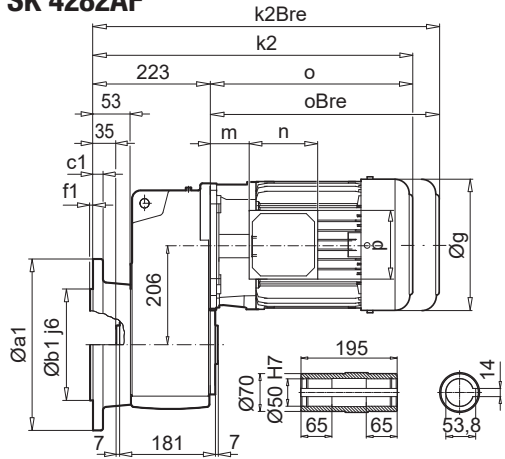
SK 4282A



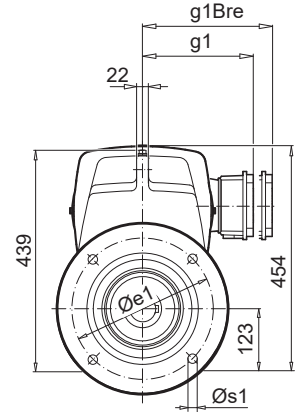
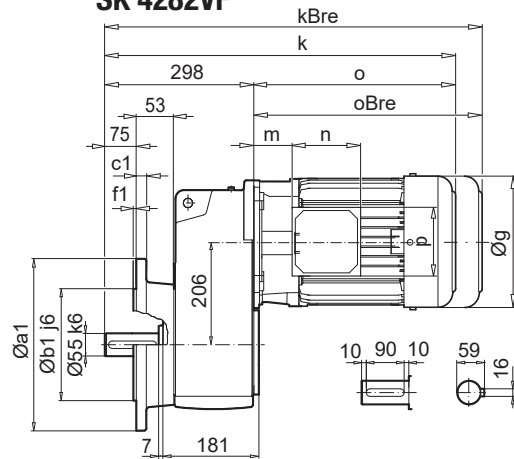
SK 4282V



SK 4282AF



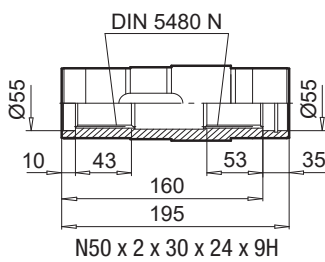
SK 4282VF



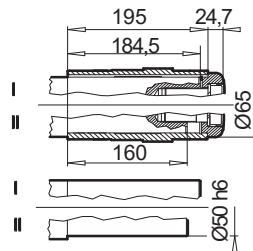
UNICASE™ Parallel shaft gear units

a1	b1	c1	e1	f1	s1
250	180	14,5	215	4	4 x 14
300	230	20	265	4	4 x 14

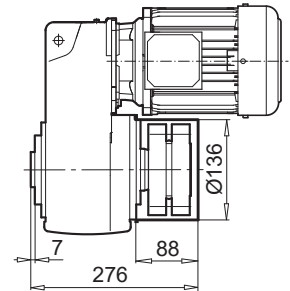
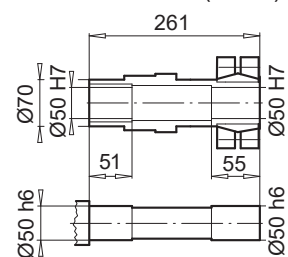
SK 4282EA



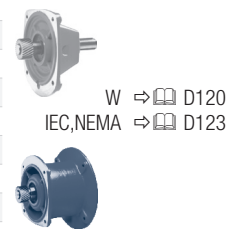
SK 4282AB / AFB

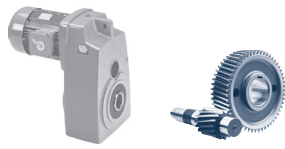


SK 4282ASH (AFSH)

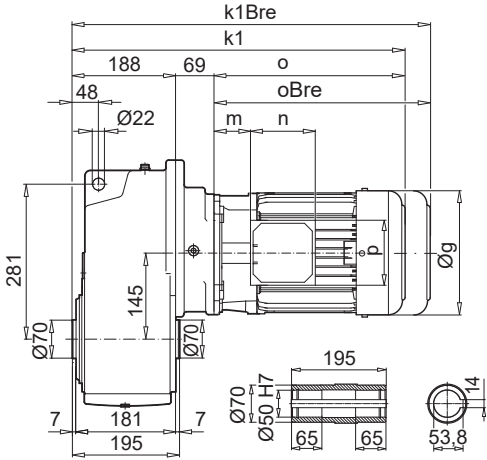


± ↗ A60	90 SP/LP	100 LP/AP	112 MP	132 SP/MP	160 SP/MP	160 LP	180 MP/LP
g	184	201	228	266	320	320	357
g1 / g1Bre	147 / 147	169 / 173	179 / 182	204 / 201	242 / 242	242 / 242	258 / 258
k / kBre	574 / 649	604 / 695	652 / 745	713 / 820	790 / 925	834 / 969	934 / 1061
k1 / k1Bre	464 / 539	494 / 585	542 / 635	603 / 710	680 / 815	724 / 859	824 / 951
k2 / k2Bre	499 / 574	529 / 620	577 / 670	638 / 745	715 / 850	759 / 894	859 / 986
o / oBre	276 / 351	306 / 397	354 / 447	415 / 522	492 / 627	536 / 671	636 / 764
m / mBre	26 / 30	32 / 36	38 / 41	51 / 42	52 / 52	52 / 52	75 / 75
n / nBre	114 / 153	114 / 153	114 / 153	122 / 185	186 / 186	186 / 186	186 / 186
p / pBre	114 / 108	114 / 108	114 / 108	122 / 139	186 / 186	186 / 186	186 / 186

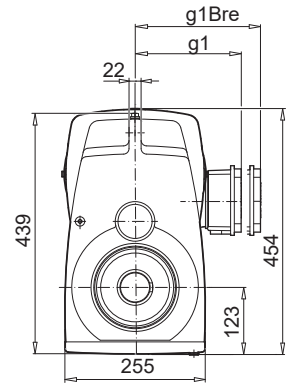
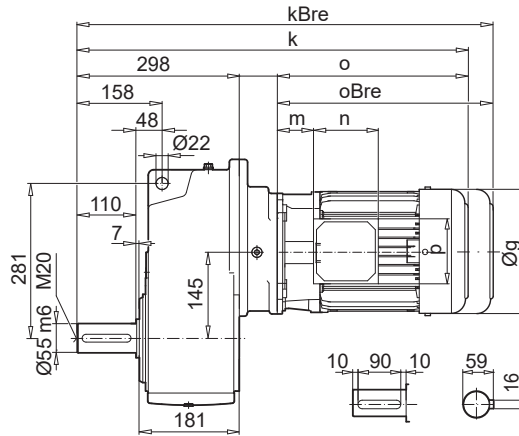




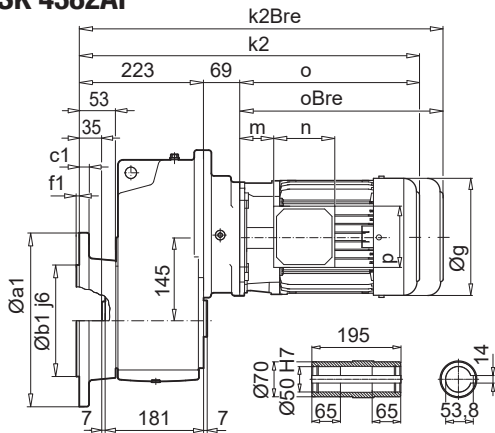
SK 4382A



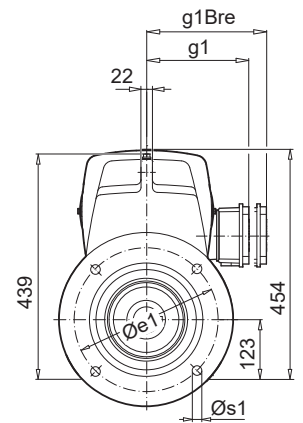
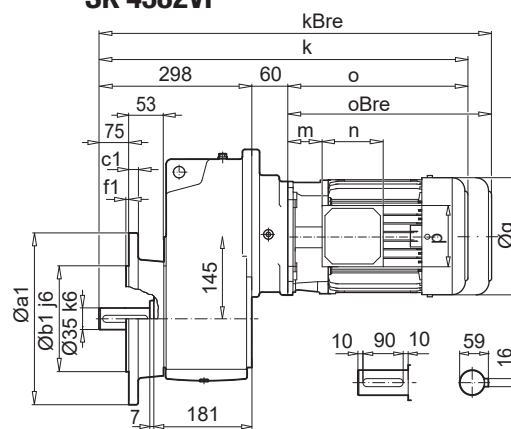
SK 4382V



SK 4382AF

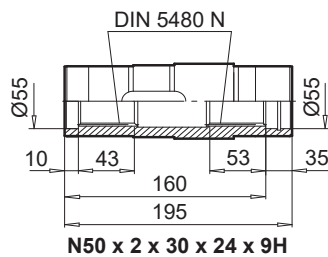


SK 4382VF

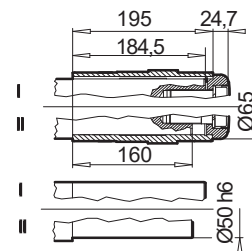


a1	b1	c1	e1	f1	s1
250	180	14,5	215	4	4 x 14
300	230	20	265	4	4 x 14

SK 4382EA



SK 4382AB / AFB



± ⇄ A60	71 SP/LP	80 SP/SP	90 SP/LP	100 LP/AP
g	145	165	184	201
g1 / g1Bre	124 / 132	142 / 142	147 / 147	169 / 173
k / kBre	597 / 655	622 / 686	663 / 738	693 / 784
k1 / k1Bre	487 / 545	512 / 576	553 / 628	583 / 674
k2 / k2Bre	522 / 580	547 / 611	588 / 663	618 / 709
o / oBre	236 / 294	261 / 325	296 / 371	326 / 417
m / mBre	36 / 42	41 / 44	46 / 50	52 / 56
n / nBre	100 / 134	114 / 153	114 / 153	114 / 153
p / pBre	100 / 89	114 / 108	114 / 108	114 / 108

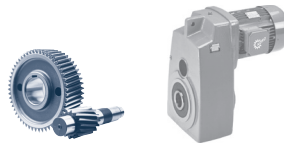


W ⇄ A60 D120
IEC, NEMA ⇄ A60 D127

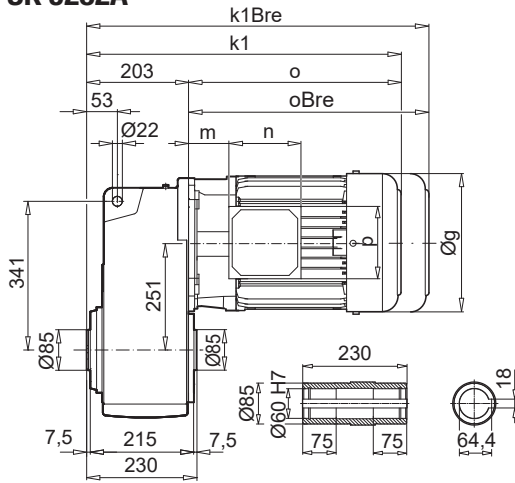


UNICASE™ Parallel shaft gear units

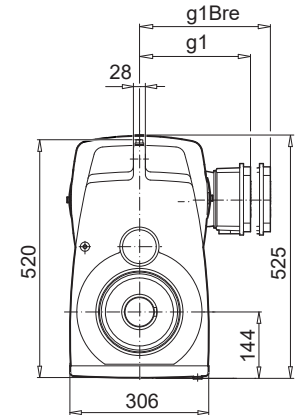
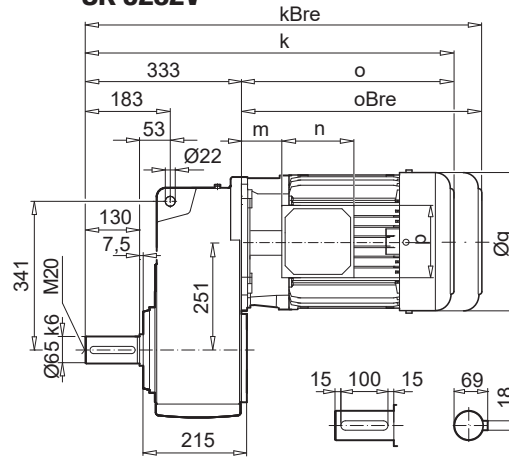
SK 5282



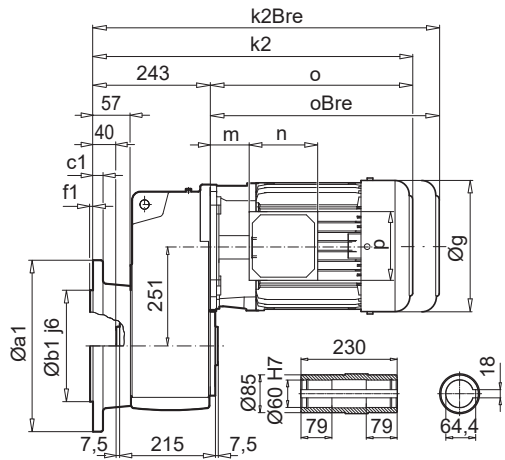
SK 5282A



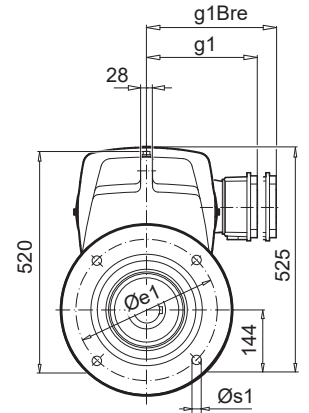
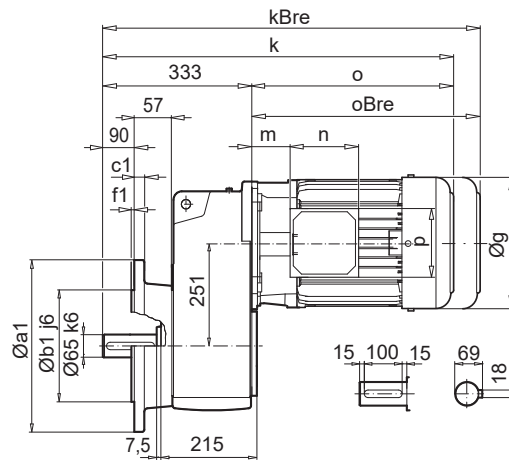
SK 5282V



SK 5282AF

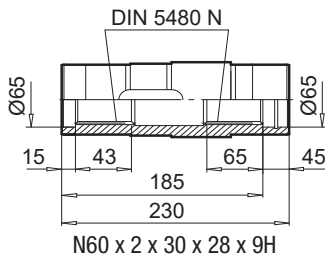


SK 5282VF

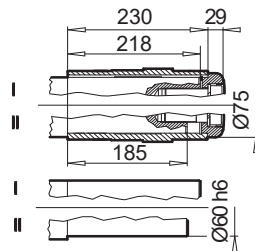


a1	b1	c1	e1	f1	s1
350	250	20	300	5	4 x 18

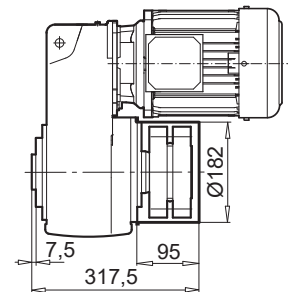
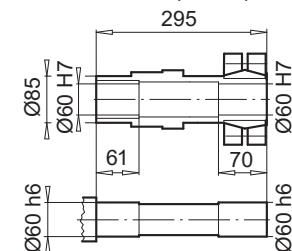
SK 5282EA



SK 5282AB (AFB)



SK 5282ASH (AFSH)



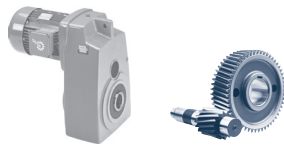
± → A60	90 SP/LP	100 LP/AP	112 MP	132 SP/MP	160 SP/MP	160 LP	180 MP/LP	225 RP/SP
g	184	201	228	266	320	320	357	445
g1 / g1Bre	147 / 147	169 / 173	179 / 182	204 / 201	242 / 242	242 / 242	258 / 258	350 / 350
k / kBre	609 / 684	639 / 730	687 / 780	748 / 855	825 / 960	869 / 1004	968 / 1096	1075 / 1255
k1 / k1Bre	479 / 554	509 / 600	557 / 650	618 / 725	695 / 830	739 / 874	838 / 966	945 / 1125
k2 / k2Bre	519 / 594	549 / 640	597 / 690	658 / 765	735 / 870	779 / 914	878 / 1006	985 / 1165
o / oBre	276 / 351	306 / 397	354 / 447	415 / 522	492 / 627	536 / 671	636 / 764	742 / 922
m / mBre	26 / 30	32 / 36	38 / 41	51 / 42	52 / 52	52 / 52	75 / 75	94 / 94
n / nBre	114 / 153	114 / 153	114 / 153	122 / 185	186 / 186	186 / 186	186 / 186	245 / 245
p / pBre	114 / 108	114 / 108	114 / 108	122 / 139	186 / 186	186 / 186	186 / 186	245 / 245



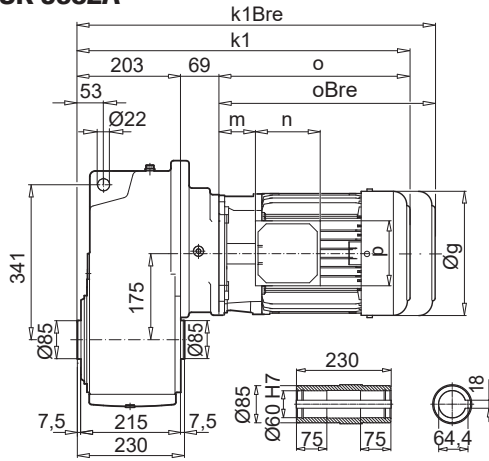
W → D120
IEC, NEMA → D124



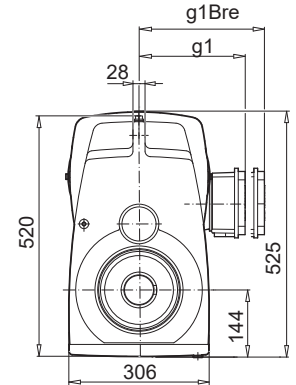
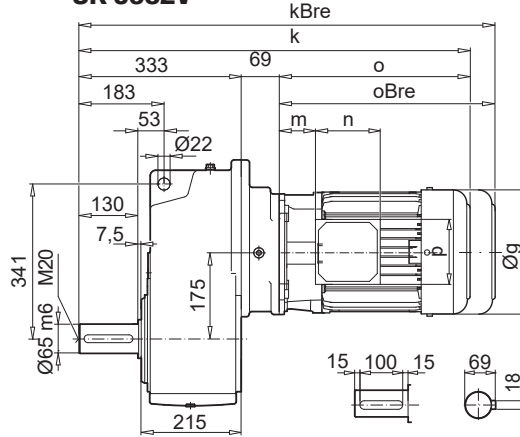
UNICASE™ Parallel shaft gear units



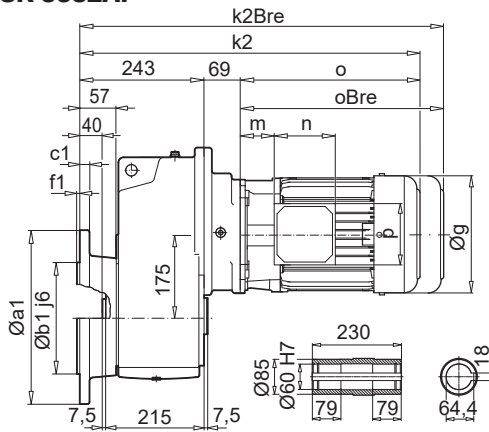
SK 5382A



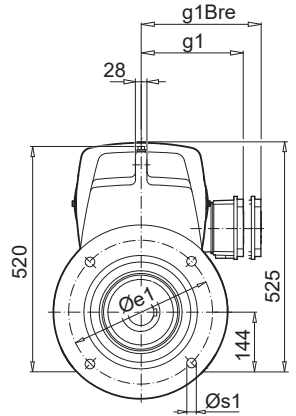
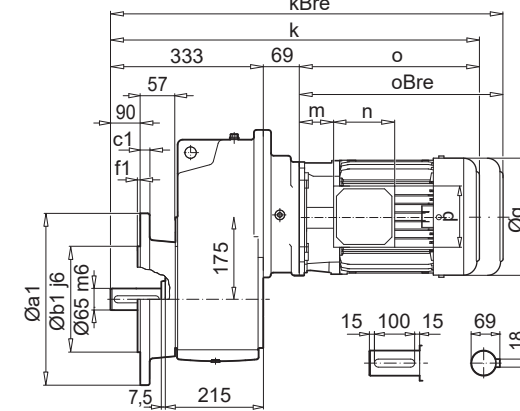
SK 5382V



SK 5382AF

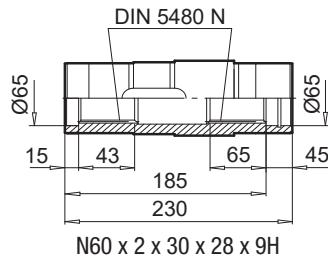


SK 5382VF

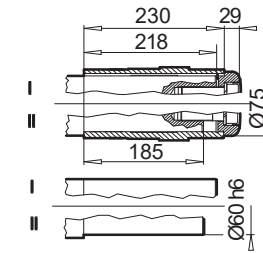


a1	b1	c1	e1	f1	s1
350	250	20	300	5	4 x 18

SK 5382EA

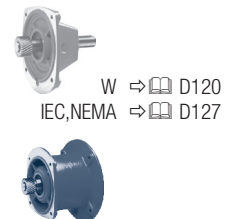


SK 5382AB (AFB)

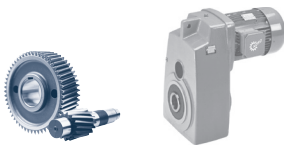


UNICASE™ Parallel shaft gear units

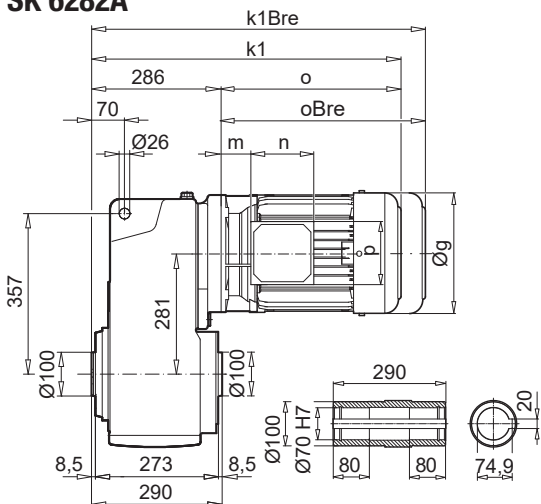
± → A60	71 LP	80 SP/LP	90 SP/LP	100 LP/AP	112 MP	132 SP
g	145	165	184	201	228	266
g1 / g1Bre	124 / 132	142 / 142	147 / 147	169 / 173	179 / 182	204 / 201
k / kBre	632 / 690	657 / 721	698 / 773	728 / 819	776 / 869	837 / 944
k1 / k1Bre	502 / 560	527 / 591	568 / 643	598 / 689	646 / 739	707 / 814
k2 / k2Bre	542 / 600	567 / 631	608 / 683	638 / 729	686 / 779	747 / 844
o / oBre	230 / 288	255 / 319	296 / 371	326 / 417	374 / 467	435 / 542
m / mBre	36 / 42	41 / 44	46 / 50	52 / 56	58 / 61	71 / 62
n / nBre	100 / 134	114 / 153	114 / 153	114 / 153	114 / 153	122 / 185
p / pBre	100 / 89	114 / 108	114 / 108	114 / 108	114 / 108	122 / 139



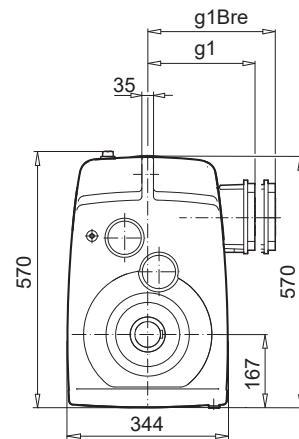
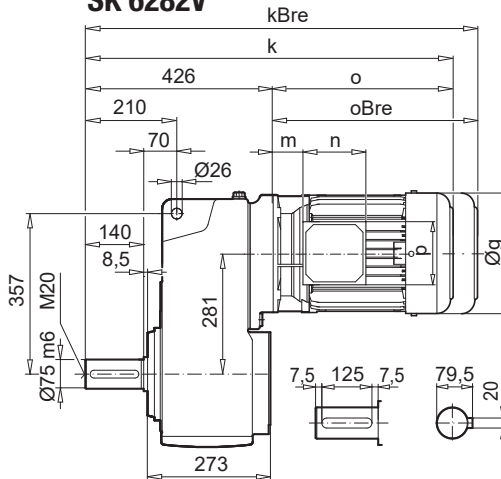
SK 6282



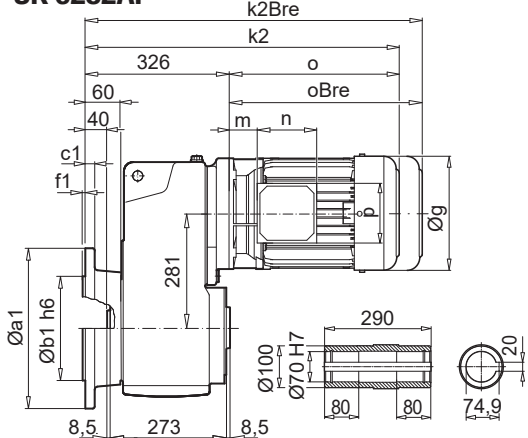
SK 6282A



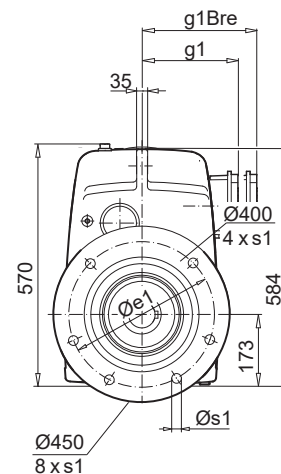
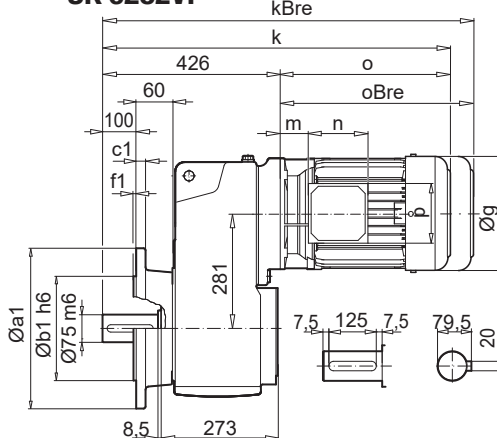
SK 6282V



SK 6282AF

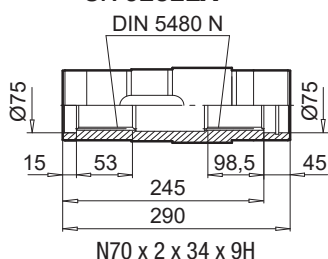


SK 6282VF

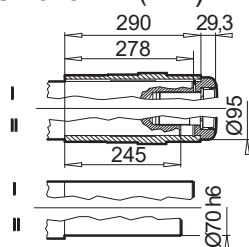


a1	b1	c1	e1	f1	s1
400	300	20	350	5	4 x 17,5
450	350	16	400	5	8 x 17,5

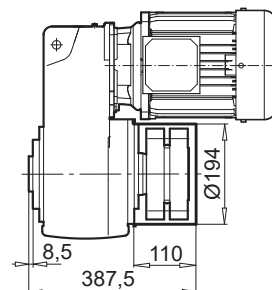
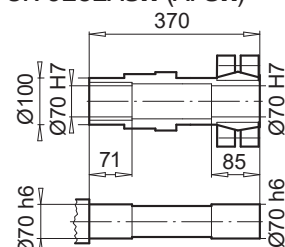
SK 6282EA



SK 6282AB (AFB)



SK 6282ASH (AFSH)

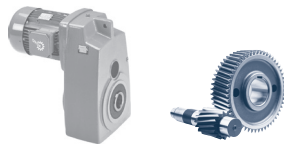


± → A60	100 LP/AP	112 MP	132 SP/MP	160 SP/MP	160 LP	180 MP/LP	225 RP/SP/MP
g	201	228	266	320	320	357	445
g1 / g1Bre	169 / 173	179 / 182	204 / 201	242 / 242	242 / 242	258 / 258	350 / 359
k / kBre	732 / 823	777 / 870	861 / 968	918 / 1053	962 / 1097	1042 / 1169	1168 / 1348
k1 / k1Bre	592 / 683	637 / 730	721 / 828	778 / 913	822 / 957	902 / 1029	1028 / 1208
k2 / k2Bre	632 / 723	677 / 770	761 / 868	818 / 953	862 / 997	942 / 1069	1068 / 1248
o / oBre	306 / 397	351 / 444	435 / 542	492 / 627	536 / 671	616 / 744	742 / 922
m / mBre	32 / 36	35 / 38	71 / 64	52 / 52	52 / 52	55 / 55	94 / 94
n / nBre	114 / 153	114 / 153	122 / 185	186 / 186	186 / 186	186 / 186	245 / 245
p / pBre	114 / 108	114 / 108	122 / 139	186 / 186	186 / 186	186 / 186	245 / 245

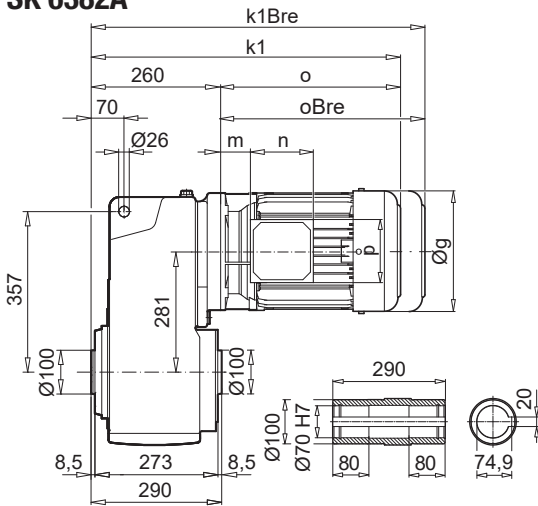


W → D121
IEC, NEMA → D124

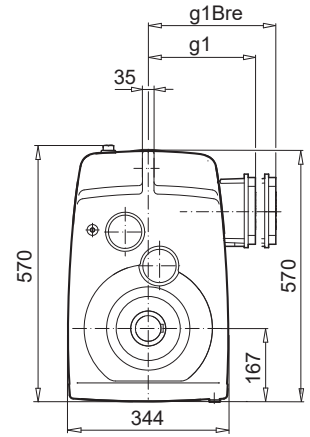
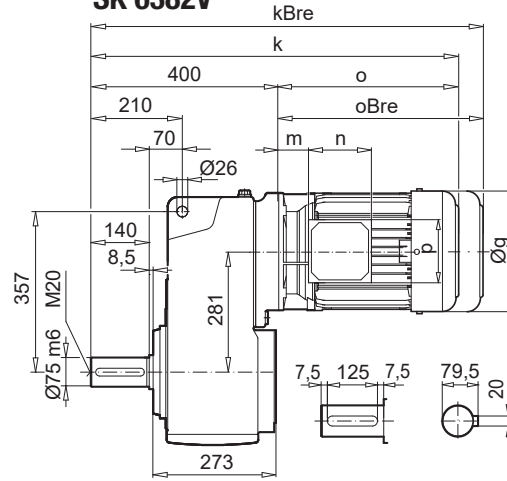




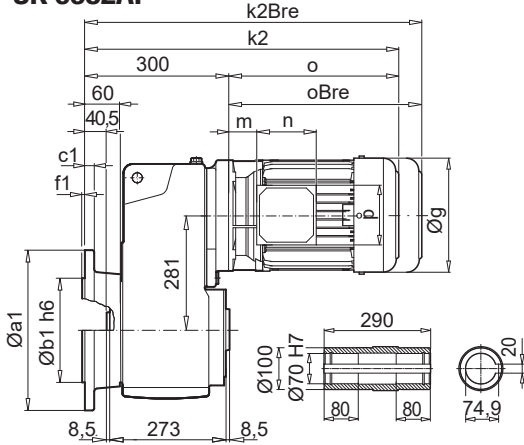
SK 6382A



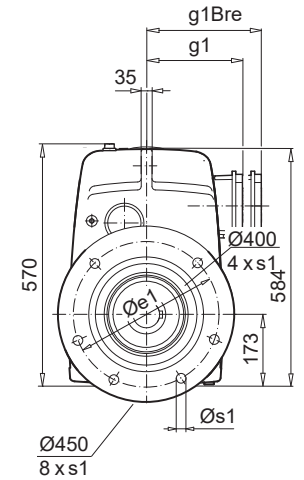
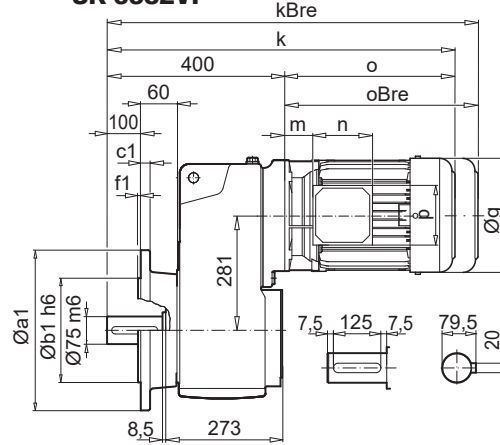
SK 6382V



SK 6382AF

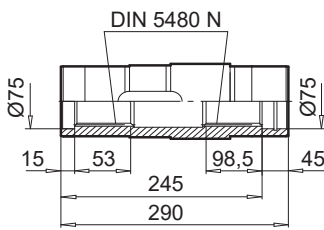


SK 6382VF



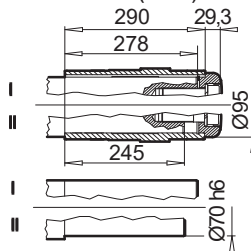
a1	b1	c1	e1	f1	s1
400	300	20	350	5	4 x 17,5
450	350	16	400	5	8 x 17,5

SK 6382EA

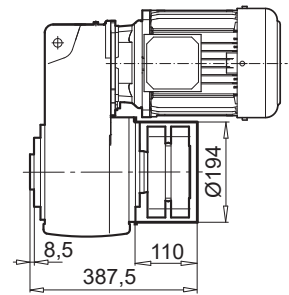
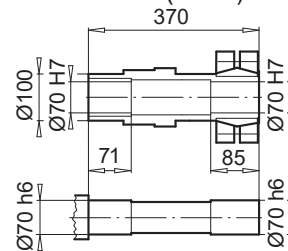


N70 x 2 x 34 x 9H

SK 6382AB (AFB)



SK 6382ASH (AFSH)



± → A60	90 SP/LP	100 LP/AP	112 MP	132 SP/MP	160 SP/MP	160 LP	180 MP/LP
g	184	201	228	266	320	320	357
g1 / g1Bre	147 / 147	169 / 173	179 / 182	204 / 201	242 / 242	242 / 242	258 / 258
k / kBre	676 / 751	706 / 797	754 / 847	815 / 922	892 / 1027	936 / 1071	1035 / 1163
k1 / k1Bre	536 / 611	566 / 657	614 / 707	675 / 782	752 / 887	796 / 931	895 / 1023
k2 / k2Bre	576 / 651	606 / 697	654 / 747	715 / 822	792 / 927	836 / 971	935 / 1063
o / oBre	276 / 351	306 / 397	354 / 447	415 / 522	492 / 627	536 / 671	636 / 764
m / mBre	26 / 30	32 / 36	38 / 41	51 / 44	52 / 52	52 / 52	75 / 75
n / nBre	114 / 153	114 / 153	114 / 153	122 / 185	186 / 186	186 / 186	186 / 186
p / pBre	114 / 108	114 / 108	114 / 108	122 / 139	186 / 186	186 / 186	186 / 186

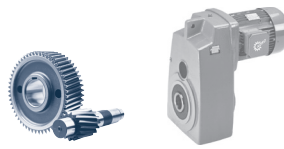


W → D121
IEC, NEMA → D128

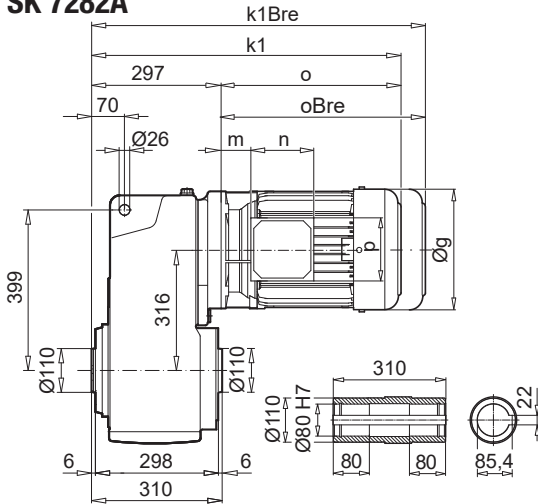


UNICASE™ Parallel shaft gear units

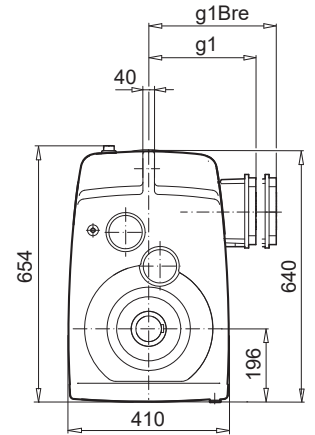
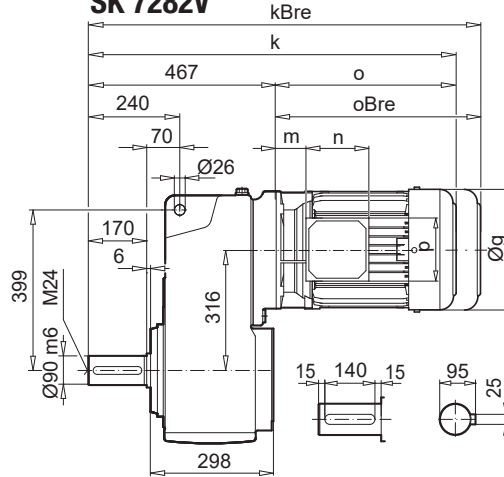
SK 7282



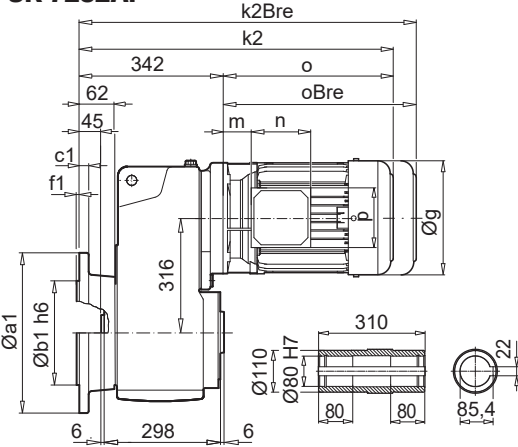
SK 7282A



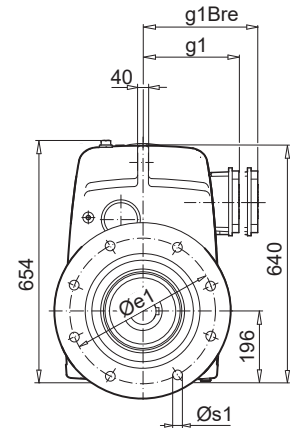
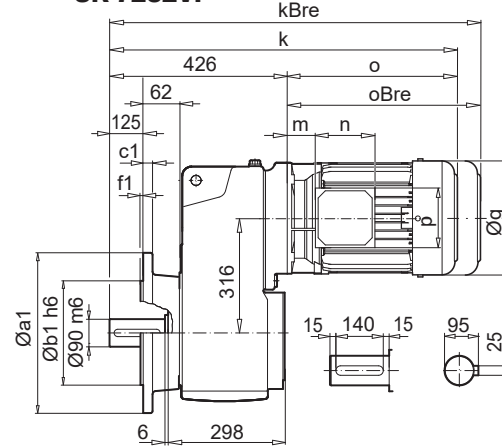
SK 7282V



SK 7282AF

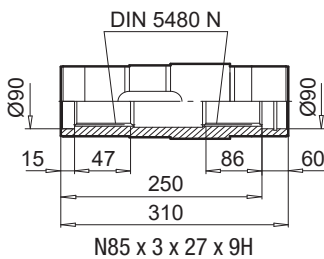


SK 7282VF

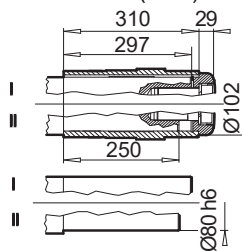


a1	b1	c1	e1	f1	s1
450	350	22	400	5	8 x 18
550	450	28	500	5	8 x 18

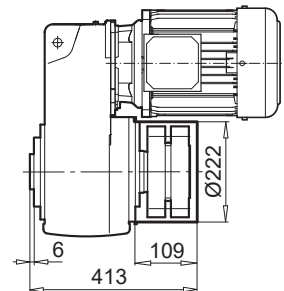
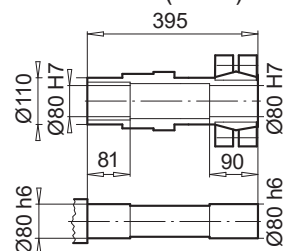
SK 7282EA



SK 7282AB (AFB)



SK 7282ASH (AFSH)



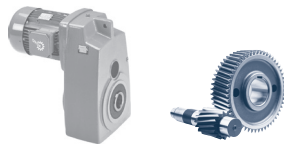
± ⇄ A60	132 SP/MP	160 SP/MP	160 LP	180 MP/LP	225 RP/SP/MP
g	266	320	320	357	445
g1 / g1Bre	204 / 201	242 / 242	242 / 242	258 / 258	350 / 350
k / kBre	902 / 1009	959 / 1094	1003 / 1138	1083 / 1210	1209 / 1389
k1 / k1Bre	732 / 839	789 / 924	833 / 968	913 / 1040	1039 / 1219
k2 / k2Bre	777 / 884	834 / 969	878 / 1013	958 / 1084	1084 / 1264
o / oBre	435 / 542	492 / 627	536 / 671	616 / 744	742 / 922
m / mBre	71 / 64	52 / 52	52 / 52	55 / 55	94 / 94
n / nBre	122 / 185	186 / 186	186 / 186	186 / 186	245 / 245
p / pBre	122 / 139	186 / 186	186 / 186	186 / 186	245 / 245



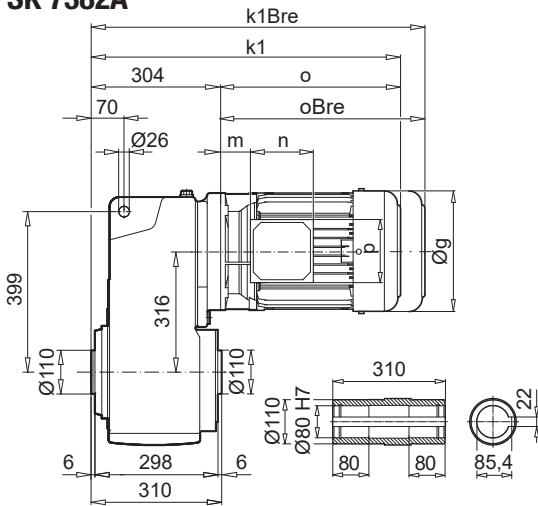
W ⇄ D121
IEC, NEMA ⇄ D124



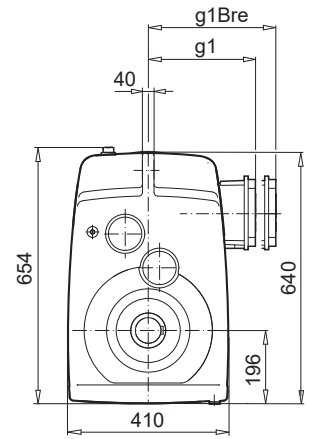
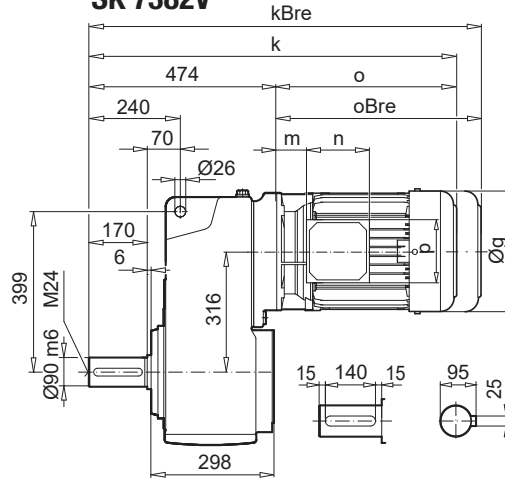
UNICASE™ Parallel shaft gear units



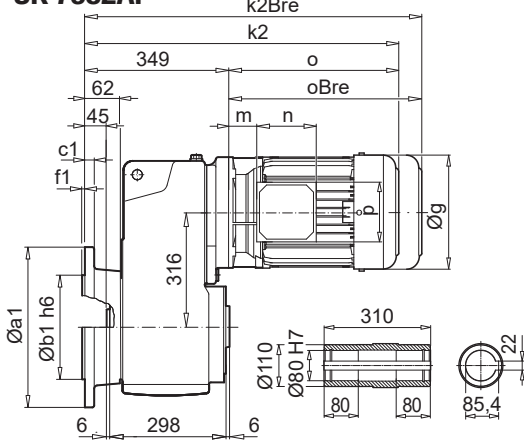
SK 7382A



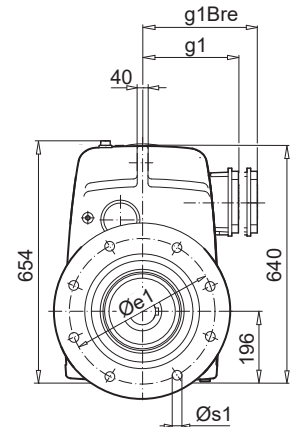
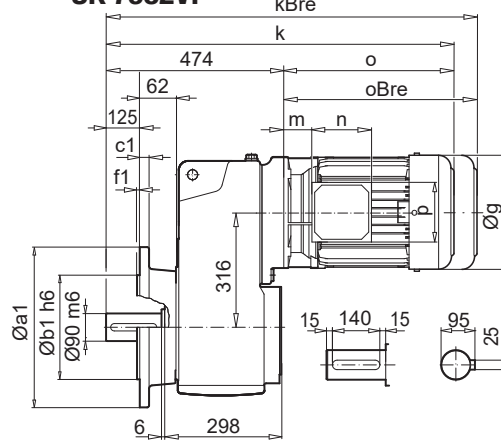
SK 7382V



SK 7382AF

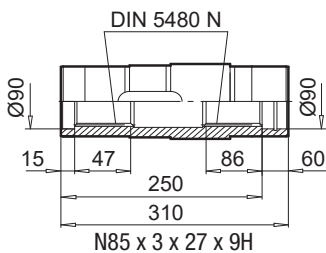


SK 7382VF

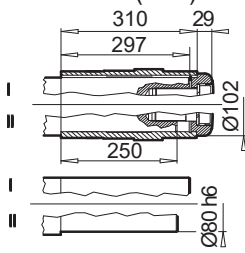


a1	b1	c1	e1	f1	s1
450	350	22	400	5	8 x 18
550	450	28	500	5	8 x 18

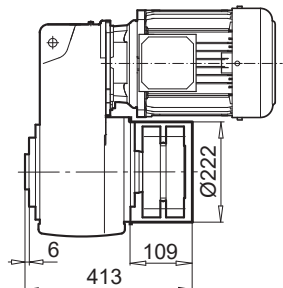
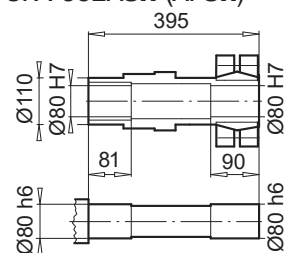
SK 7382EA



SK 7382AB (AFB)



SK 7382ASH (AFSH)



UNICASE™ Parallel shaft gear units

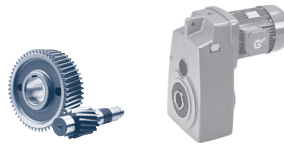
± ⇨ A60	100 LP/AP	112 MP	132 SP/MP	160 SP/MP	160 LP	180 MP/LP	225 RP/SP/MP
g	201	228	266	320	320	357	445
g1 / g1Bre	169 / 173	179 / 182	204 / 201	242 / 242	242 / 242	258 / 258	350 / 350
k / kBre	780 / 871	825 / 918	909 / 1016	966 / 1101	1010 / 1145	1090 / 1217	1216 / 1396
k1 / k1Bre	610 / 701	655 / 748	739 / 846	796 / 931	840 / 975	920 / 1047	1046 / 1226
k2 / k2Bre	655 / 746	700 / 793	784 / 891	841 / 976	885 / 1020	965 / 1091	1091 / 1271
o / oBre	306 / 397	351 / 444	435 / 542	492 / 627	536 / 671	616 / 744	742 / 922
m / mBre	32 / 36	35 / 38	71 / 64	52 / 52	52 / 52	55 / 55	94 / 94
n / nBre	114 / 153	114 / 153	122 / 185	186 / 186	186 / 186	186 / 186	245 / 245
p / pBre	114 / 108	114 / 108	122 / 139	186 / 186	186 / 186	186 / 186	245 / 245



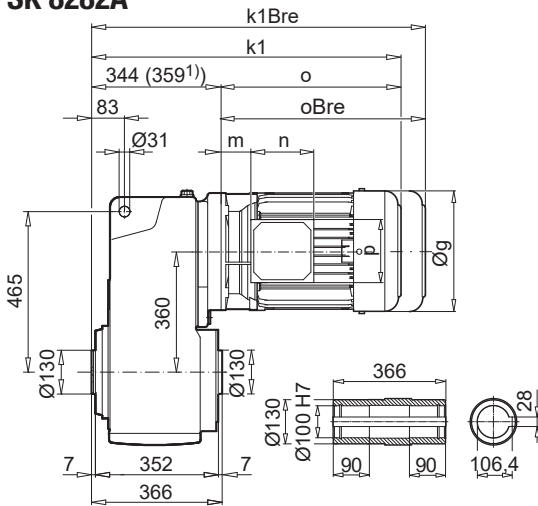
W ⇨ D121
IEC, NEMA ⇨ D128



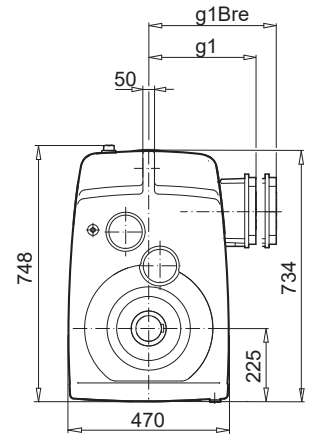
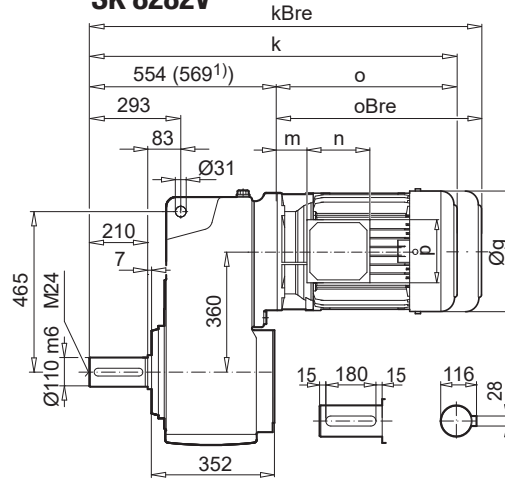
SK 8282



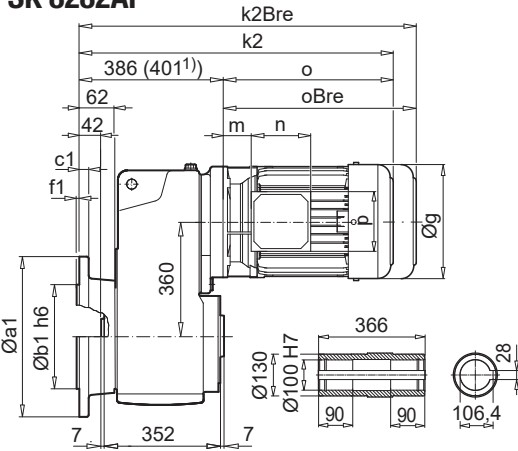
SK 8282A



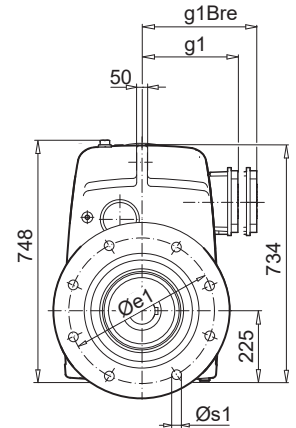
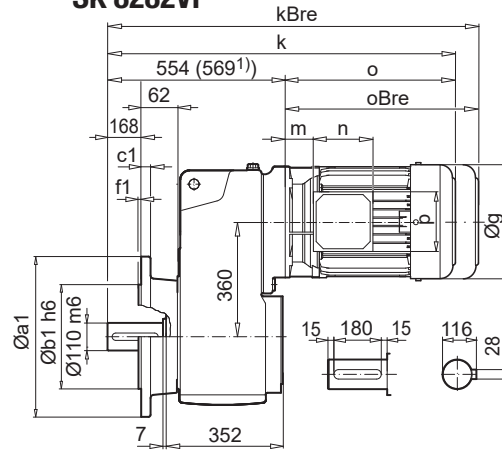
SK 8282V



SK 8282AF

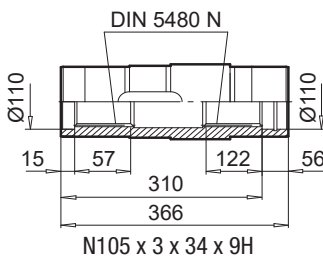


SK 8282VF

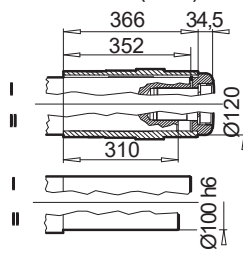


a1	b1	c1	e1	f1	s1
550	450	28	500	5	8 x 18

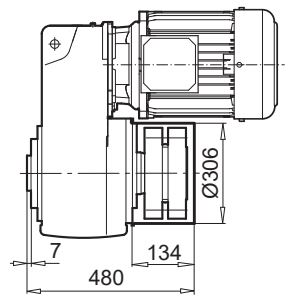
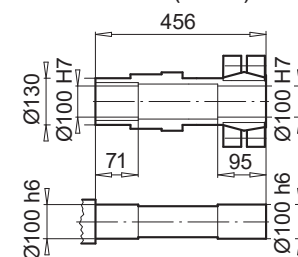
SK 8282EA



SK 8282AB (AFB)



SK 8282ASH (AFSH)



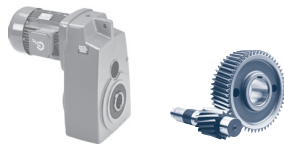
± ↗ A60	132 SP/MP	160 SP/MP	160 LP	180 MP/LP	225 RP/SP/MP	250 WP ¹)	280 SP ¹)
g	266	320	320	357	445	445	551
g1 / g1Bre	204 / 201	242 / 242	242 / 242	258 / 258	350 / 350	350 / 350	432 / 432
k / kBre	989 / 1096	1046 / 1181	1090 / 1225	1170 / 1297	1296 / 1476	1311 / 1491	1399 / 1579
k1 / k1Bre	779 / 886	836 / 971	880 / 1015	960 / 1087	1086 / 1266	1101 / 1281	1189 / 1369
k2 / k2Bre	821 / 928	878 / 1013	922 / 1057	1002 / 1130	1128 / 1308	1143 / 1323	1231 / 1411
o / oBre	435 / 542	492 / 627	536 / 671	616 / 744	742 / 922	742 / 922	830 / 1010
m / mBre	71 / 64	52 / 52	52 / 52	55 / 55	94 / 94	94 / 94	104 / 104
n / nBre	122 / 185	186 / 186	186 / 186	186 / 186	245 / 245	245 / 245	233 / 233
p / pBre	122 / 139	186 / 186	186 / 186	186 / 186	245 / 245	245 / 245	319 / 319



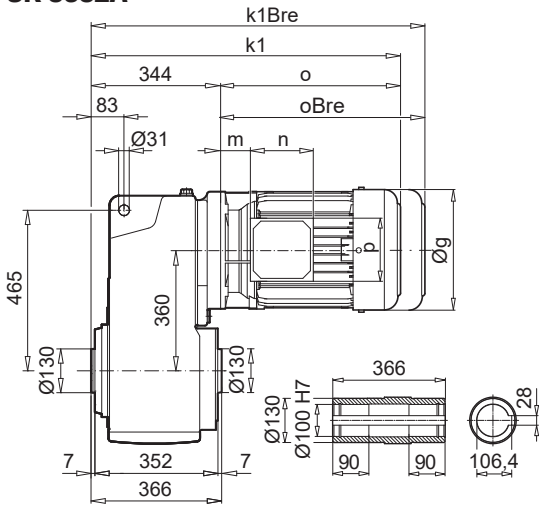
W ↗ D121
IEC, NEMA ↗ D125



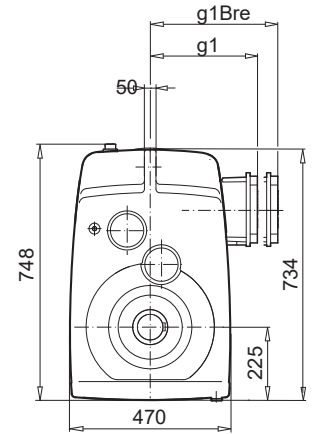
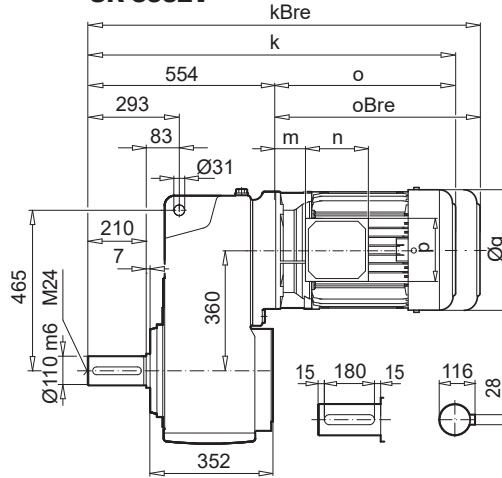
UNICASE™ Parallel shaft gear units



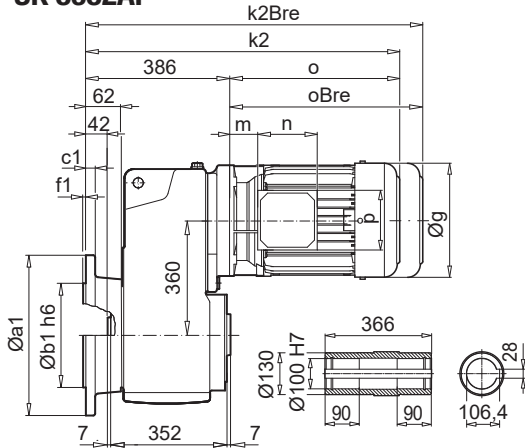
SK 8382A



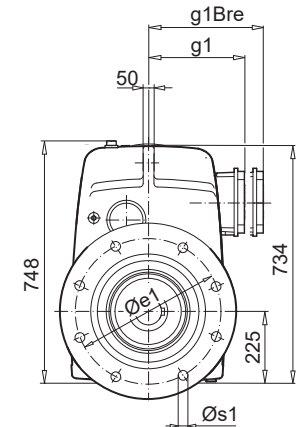
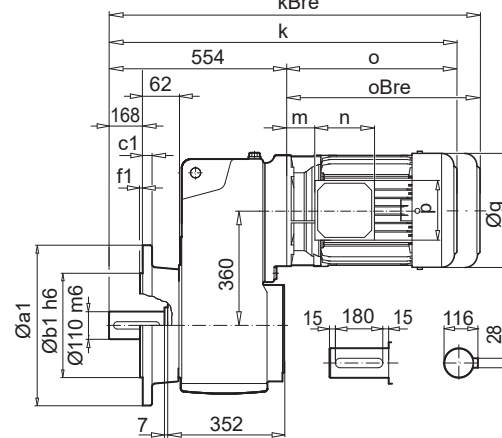
SK 8382V



SK 8382AF

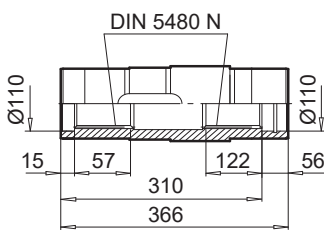


SK 8382VF



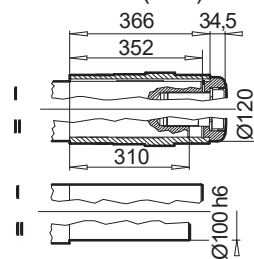
a1	b1	c1	e1	f1	s1
550	450	28	500	5	8 x 18

SK 8382EA

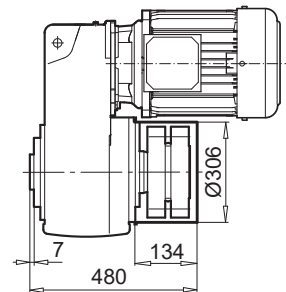
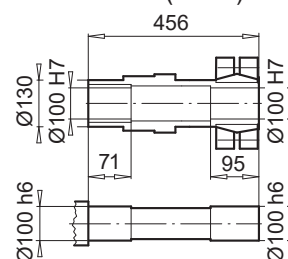


N105 x 3 x 34 x 9H

SK 8382AB (AFB)



SK 8382ASH (AFSH)

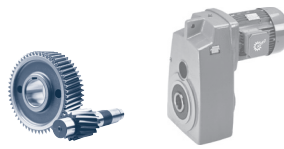


UNICASE™ Parallel shaft gear units

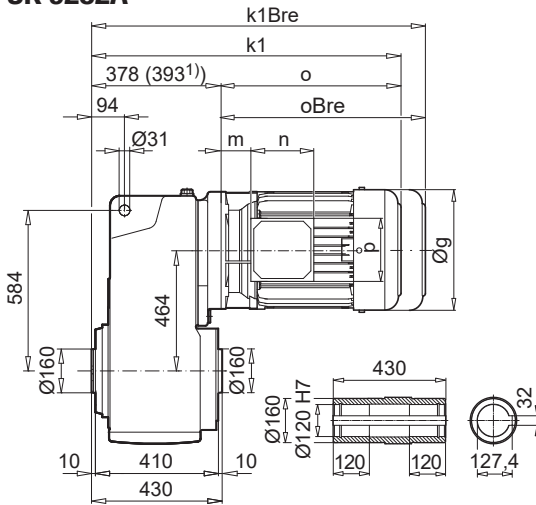
± ↗ A60	100 LP/AP	112 MP	132 SP/MP	160 SP/MP	160 LP	180 MP/LP	225 RP/SP/MP
g	201	228	266	320	320	357	445
g1 / g1Bre	169 / 173	179 / 182	204 / 201	242 / 242	242 / 242	258 / 258	350 / 350
k / kBre	860 / 951	905 / 998	989 / 1096	1046 / 1181	1090 / 1225	1170 / 1297	1296 / 1476
k1 / k1Bre	650 / 741	695 / 788	779 / 886	836 / 971	880 / 1015	960 / 1087	1086 / 1266
k2 / k2Bre	692 / 783	737 / 830	821 / 928	878 / 1013	922 / 1057	1002 / 1130	1128 / 1308
o / oBre	306 / 397	351 / 444	435 / 542	492 / 627	536 / 671	616 / 744	742 / 922
m / mBre	32 / 36	35 / 38	71 / 64	52 / 52	52 / 52	55 / 55	94 / 94
n / nBre	114 / 153	114 / 153	122 / 185	186 / 186	186 / 186	186 / 186	245 / 245
p / pBre	114 / 108	114 / 108	122 / 139	186 / 186	186 / 186	186 / 186	245 / 245



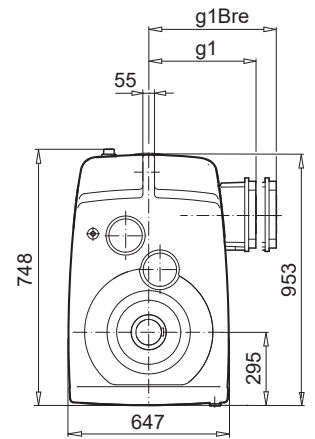
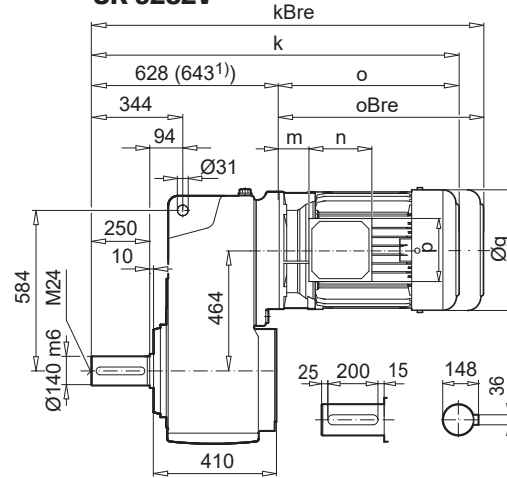
SK 9282



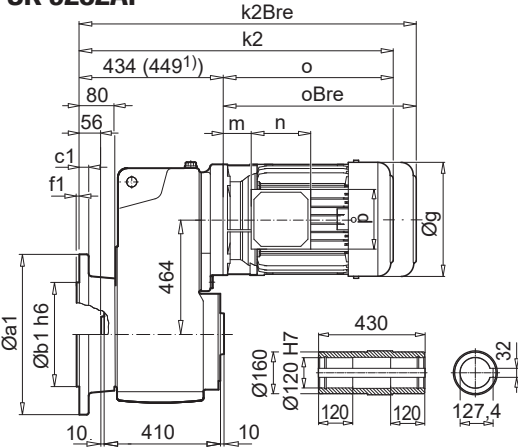
SK 9282A



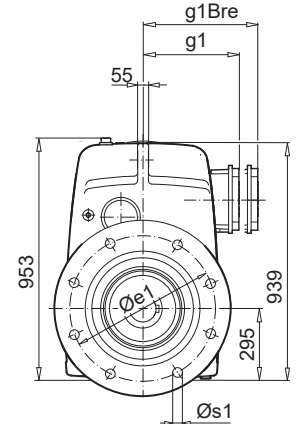
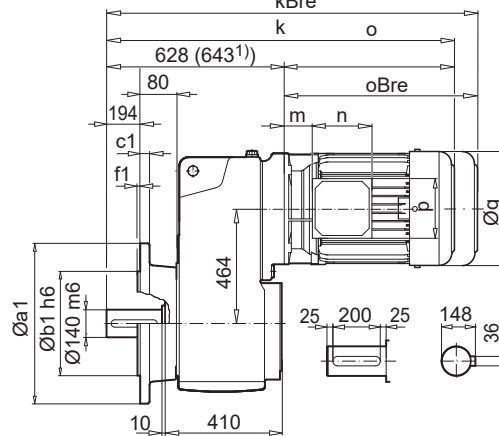
SK 9282V



SK 9282AF

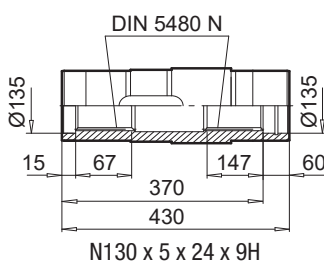


SK 9282VF

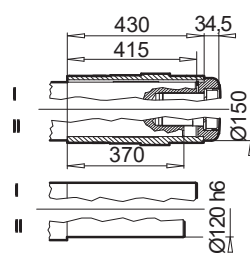


a1	b1	c1	e1	f1	s1
660	550	32	600	6	8 x 22

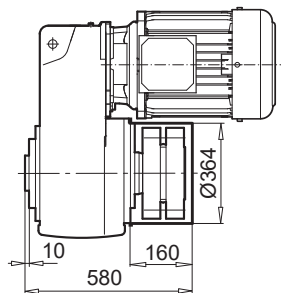
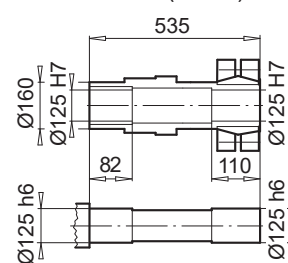
SK 9282 EA



SK 9282 AB (AFB)



SK 9282ASH (AFSH)



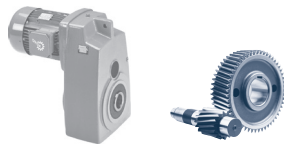
± ↔ A60	180 MP/LP	225 RP/SP/MP	250 WP ¹)	280 SP ¹)	280 MP ¹)	315 SP ¹)	315 MP/RP ¹)
g	357	445	445	551	551	616	616
g1 / g1Bre	258 / 258	350 / 350	350 / 350	432 / 432	434 / 434	516 / -	516 / -
k / kBre	1244 / 1371	1370 / 1550	1385 / 1565	1473 / 1653	1573 / 1753	1555 / -	1720 / -
k1 / k1Bre	994 / 1121	1120 / 1300	1135 / 1315	1223 / 1403	1323 / 1503	1305 / -	1470 / -
k2 / k2Bre	1050 / 1177	1176 / 1356	1191 / 1371	1279 / 1459	1379 / 1559	1361 / -	1526 / -
o / oBre	616 / 744	742 / 922	742 / 922	830 / 1010	930 / 1110	912 / -	1077 / -
m / mBre	55 / 55	94 / 94	94 / 94	104 / 104	94 / 94	89 / -	89 / -
n / nBre	186 / 186	245 / 245	245 / 245	233 / 233	233 / 233	299 / -	299 / -
p / pBre	186 / 186	245 / 245	245 / 245	319 / 319	319 / 319	420 / -	420 / -



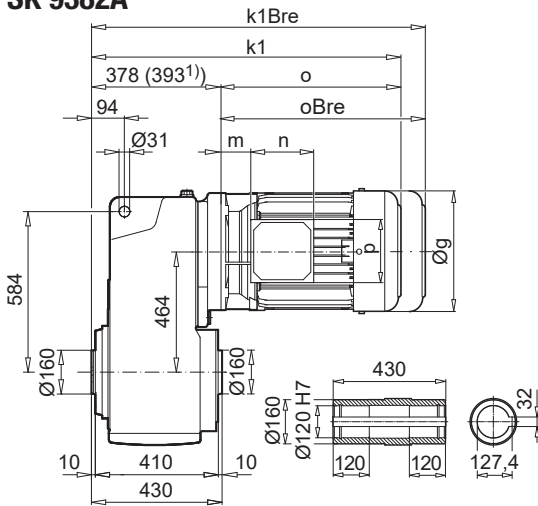
W ↔ D121
IEC, NEMA ↔ D125



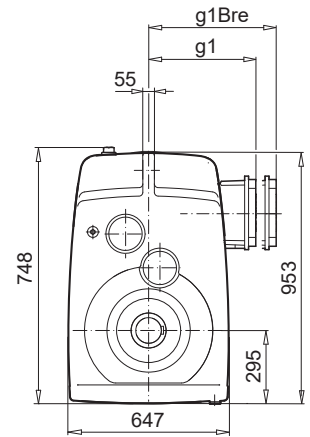
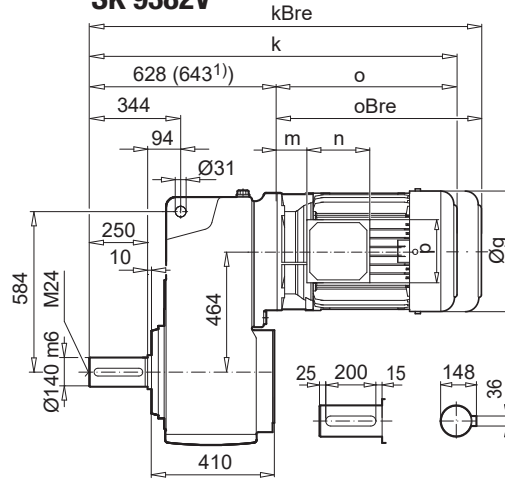
UNICASE™ Parallel shaft gear units



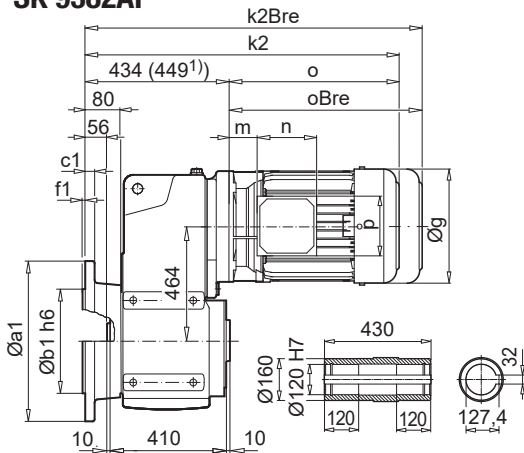
SK 9382A



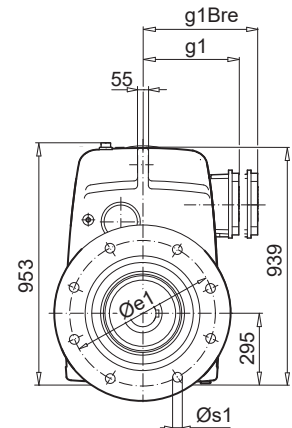
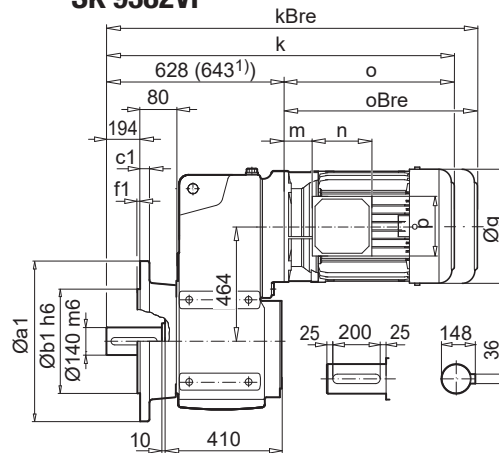
SK 9382V



SK 9382AF

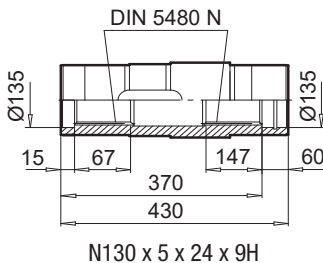


SK 9382VF

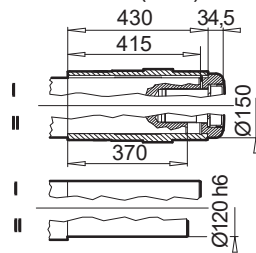


a1	b1	c1	e1	f1	s1
660	550	32	600	6	8 x 22

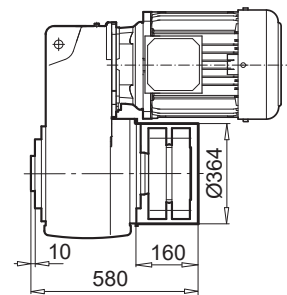
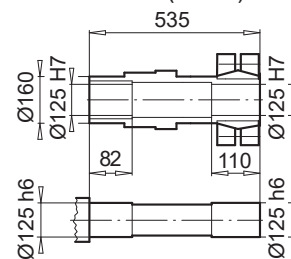
SK 9382EA



SK 9382AB (AFB)



SK 9382ASH (AFSH)

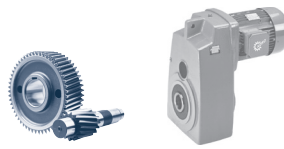


UNICASE™ Parallel shaft gear units

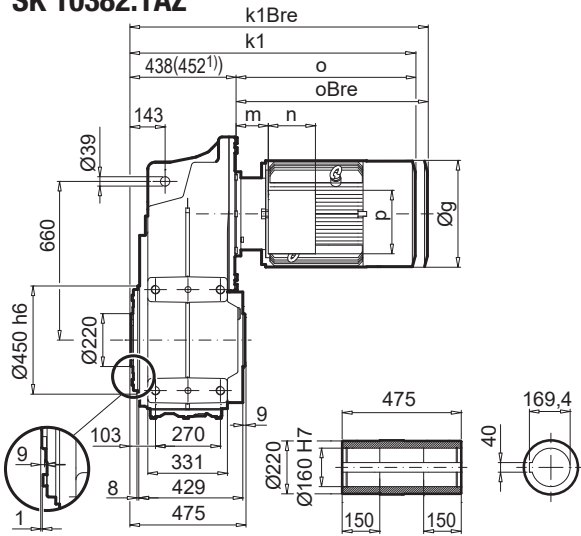
± ⇨ A60	100 AP	112 MP	132 SP/MP	160 SP/MP	160 LP	180 MP/LP	225 RP/SP/MP	250 WP 1)	280 SP 1)
g	201	228	266	320	320	357	445	445	551
g1 / g1Bre	169 / 173	179 / 182	204 / 201	242 / 242	242 / 242	258 / 258	350 / 350	350 / 350	432 / 432
k / kBre	934 / 1025	979 / 1072	1063 / 1170	1120 / 1255	1164 / 1299	1244 / 1371	1370 / 1550	1385 / 1565	1473 / 1653
k1 / k1Bre	684 / 775	729 / 822	813 / 920	870 / 1005	914 / 1049	994 / 1121	1120 / 1300	1135 / 1315	1223 / 1403
k2 / k2Bre	740 / 831	785 / 878	869 / 976	926 / 1061	970 / 1105	1048 / 1176	1176 / 1356	1191 / 1371	1279 / 1459
o / oBre	306 / 397	351 / 444	435 / 542	492 / 627	536 / 671	616 / 744	742 / 922	742 / 922	830 / 1010
m / mBre	32 / 36	35 / 38	71 / 64	52 / 52	52 / 52	55 / 55	94 / 94	94 / 94	104 / 104
n / nBre	114 / 153	114 / 153	122 / 185	186 / 186	186 / 186	186 / 186	245 / 245	245 / 245	233 / 233
p / pBre	114 / 108	114 / 108	122 / 139	186 / 186	186 / 186	186 / 186	245 / 245	245 / 245	319 / 319



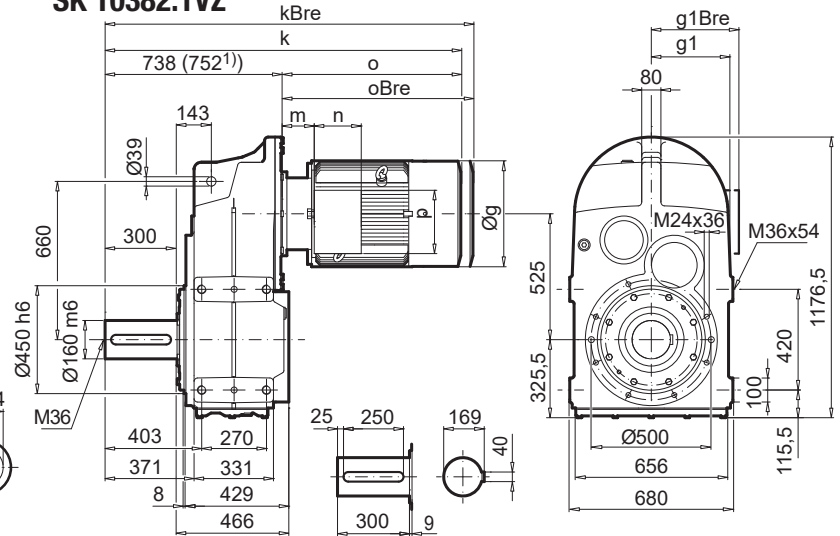
SK 10382.1



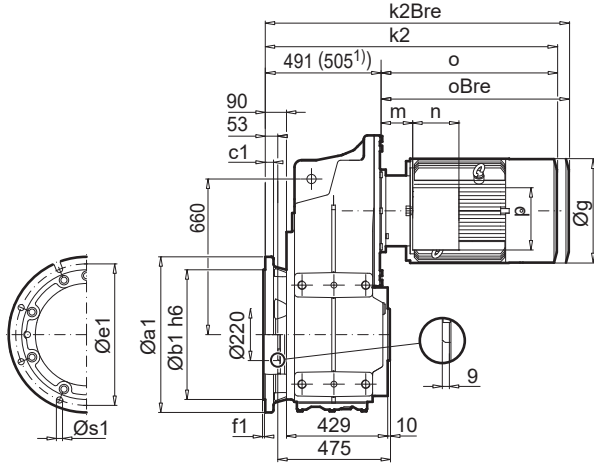
SK 10382.1AZ



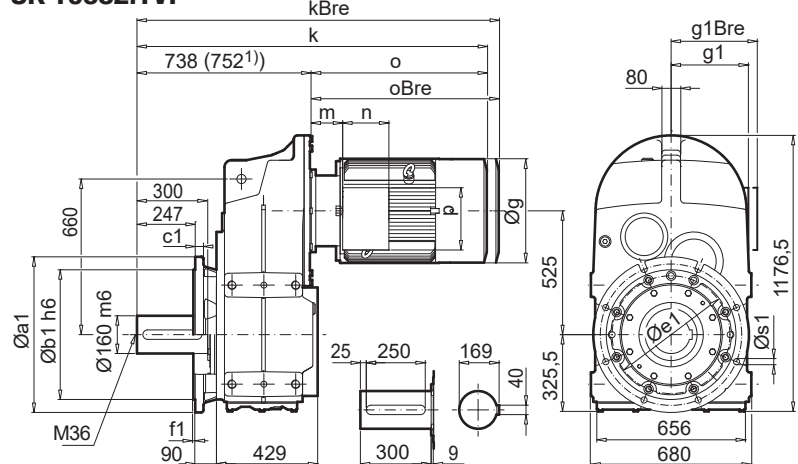
SK 10382.1VZ



SK 10382.1AF



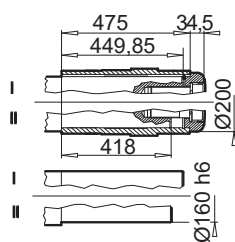
SK 10382.1VF



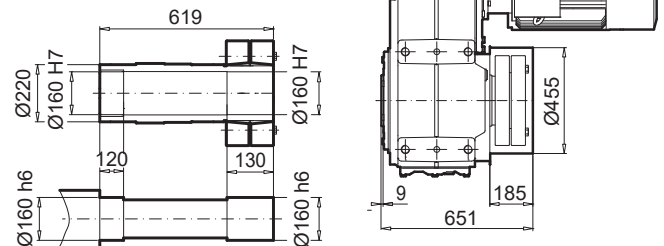
UNICASE™ Parallel shaft gear units

a1	b1	c1	e1	f1	s1
660	550	35	600	8	6 x 26

SK 10382.1AZB



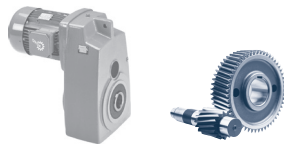
SK 10382.1AZSH



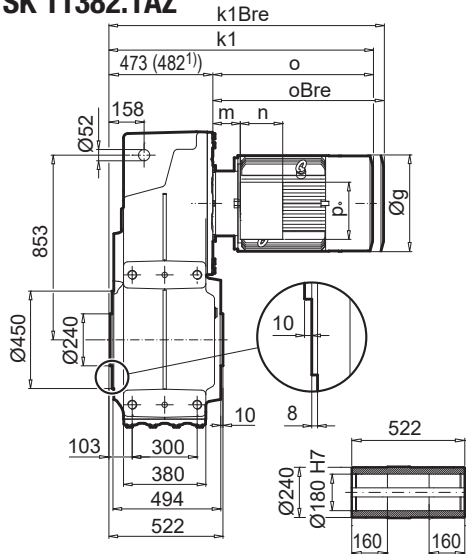
± ⇨ A60	160 SP/MP	160 LP	180 MP	225 RP/SP/MP	250 WP ¹⁾	280 SP ¹⁾	280 MP ¹⁾	315 SP ¹⁾	315 MP/RP ¹⁾
g	320	320	357	445	445	551	551	616	616
g1 / g1Bre	242 / 242	242 / 242	258 / 258	350 / 350	350 / 350	432 / 432	434 / 434	516 / -	516 / -
k / kBre	1230 / 1365	1274 / 1409	1354 / 1481	1480 / 1660	1494 / 1674	1582 / 1762	1682 / 1862	1664 / -	1829 / -
k1 / k1Bre	930 / 1065	974 / 1109	1054 / 1181	1180 / 1360	1194 / 1374	1282 / 1462	1382 / 1562	1364 / -	1529 / -
k2 / k2Bre	983 / 1118	1027 / 1162	1107 / 1234	1233 / 1413	1247 / 1427	1335 / 1515	1435 / 1615	1417 / -	1582 / -
o / oBre	492 / 627	536 / 671	616 / 744	742 / 922	742 / 922	830 / 1010	930 / 1110	912 / -	1077 / -
m / mBre	52 / 52	52 / 52	55 / 55	94 / 94	94 / 94	104 / 104	94 / 94	89 / -	89 / -
n / nBre	186 / 186	186 / 186	186 / 186	245 / 245	245 / 245	233 / 233	233 / 233	299 / -	299 / -
p / pBre	186 / 186	186 / 186	186 / 186	245 / 245	245 / 245	319 / 319	319 / 319	420 / -	420 / -



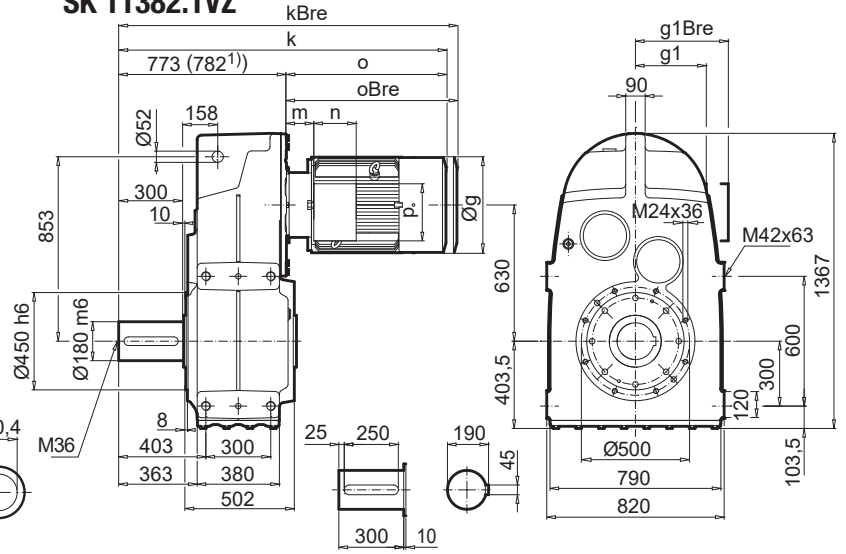
W ⇨ D121 IEC, NEMA ⇨ D130



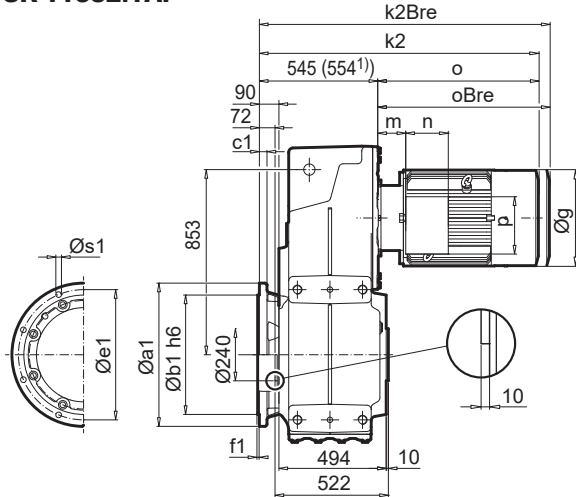
SK 11382.1AZ



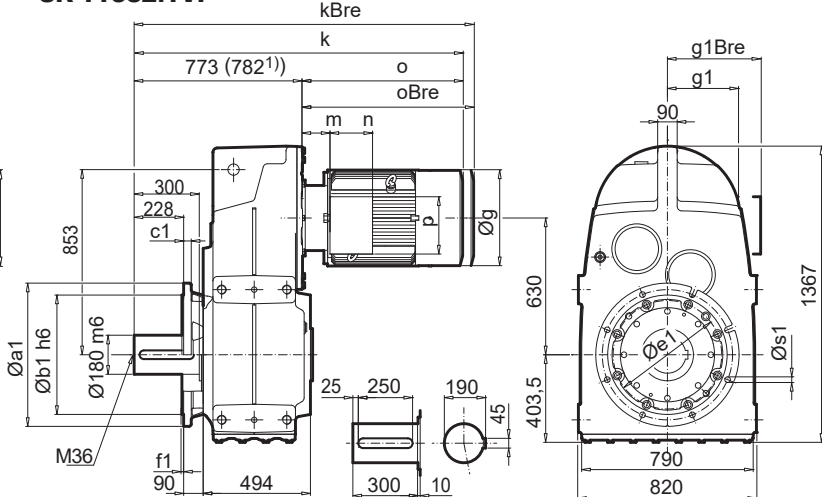
SK 11382.1VZ



SK 11382.1AF

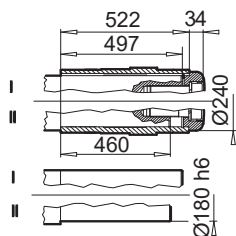


SK 11382.1VF



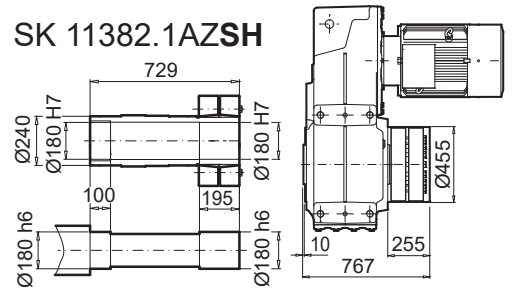
UNICASE™ Parallel shaft gear units

SK 11382.1AZB



a1	b1	c1	e1	f1	s1
660	550	35	600	8	6 x 26

SK 11382.1AZSH



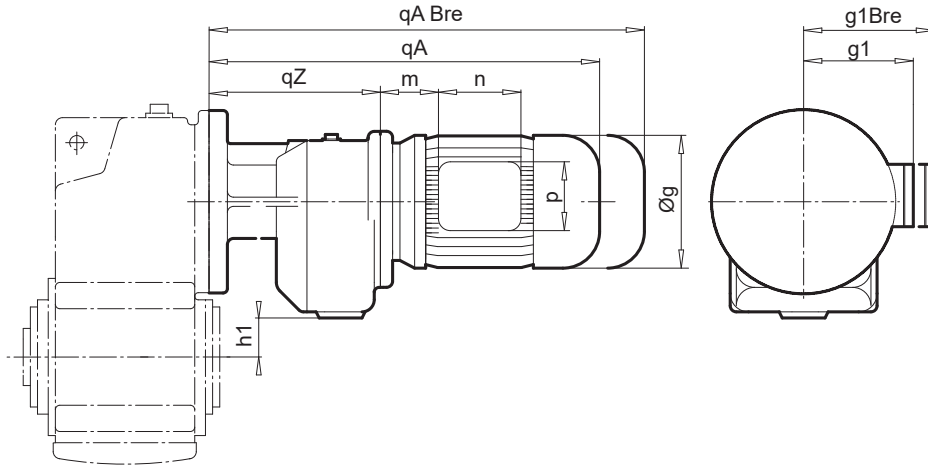
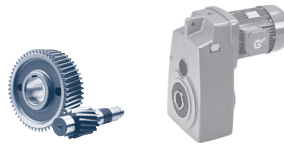
± ⇔ IEC A60	160 LP	180 LP	225 RP/SP/MP	250 WP ¹⁾	280 SP ¹⁾	280 MP ¹⁾	315 SP ¹⁾	315 MP/RP/LP ¹⁾
g	320	357	445	445	551	551	616	616
g1 / g1Bre	242 / 242	258 / 258	350 / 350	350 / 350	432 / 432	434 / 434	516 / -	516 / -
k / kBre	1309 / 1444	1389 / 1516	1515 / 1695	1525 / 1704	1612 / 1792	1712 / 1892	1694 / -	1859 / -
k1 / k1Bre	1009 / 1144	1089 / 1216	1215 / 1395	1224 / 1404	1312 / 1492	1412 / 1592	1394 / -	1559 / -
k2 / k2Bre	1081 / 1216	1161 / 1288	1287 / 1467	1296 / 1476	1384 / 1564	1484 / 1664	1466 / -	1631 / -
o / oBre	536 / 671	616 / 744	742 / 922	742 / 922	830 / 1010	930 / 1110	912 / -	1077 / -
m / mBre	52 / 52	55 / 55	94 / 94	94 / 94	104 / 104	94 / 94	89 / -	89 / -
n / nBre	186 / 186	186 / 186	245 / 245	245 / 245	233 / 233	233 / 233	299 / -	299 / -
p / pBre	186 / 186	186 / 186	245 / 245	245 / 245	319 / 319	319 / 319	420 / -	420 / -



W ⇔ IEC, NEMA ⇔ D121
D130

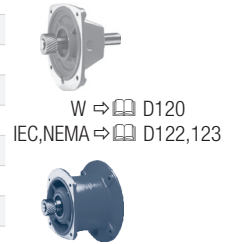


SK 1282/02 - SK 9382/42

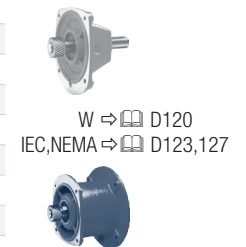


UNICASE™ Parallel shaft gear units

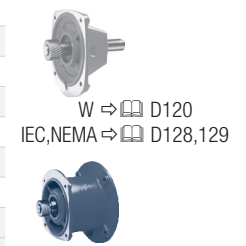
± ⇔ A60	SK 1282/02		SK 2282/02		SK 3282/12			
	63 SP/LP	71 SP	63 SP/LP	71 SP/LP	63 SP/LP	71 LP	80 SP/LP	90 SP/LP
g	130	145	130	145	130	145	164	184
g1 / g1Bre	114 / 122	124 / 133	114 / 122	124 / 133	114 / 122	124 / 133	142 / 142	147 / 147
qA / qABre	338 / 394	377 / 435	337 / 393	377 / 435	351 / 407	391 / 449	415 / 479	457 / 532
o / oBre	196 / 252	236 / 294	196 / 252	236 / 294	196 / 252	236 / 294	261 / 325	302 / 377
qz	141		141		154			
m / mBre	16 / 22	42 / 48	16 / 22	42 / 48	16 / 22	42 / 48	47 / 50	52 / 55
n / nBre	100 / 134	100 / 134	100 / 134	100 / 134	100 / 134	100 / 134	114 / 153	114 / 153
p / pBre	100 / 89	100 / 89	100 / 89	100 / 89	100 / 89	100 / 89	114 / 108	114 / 108
h1	33		58		72			
± ⇔	SK 1282 ⇔ D97		SK 2282 ⇔ D98		SK 3282 ⇔ D100			

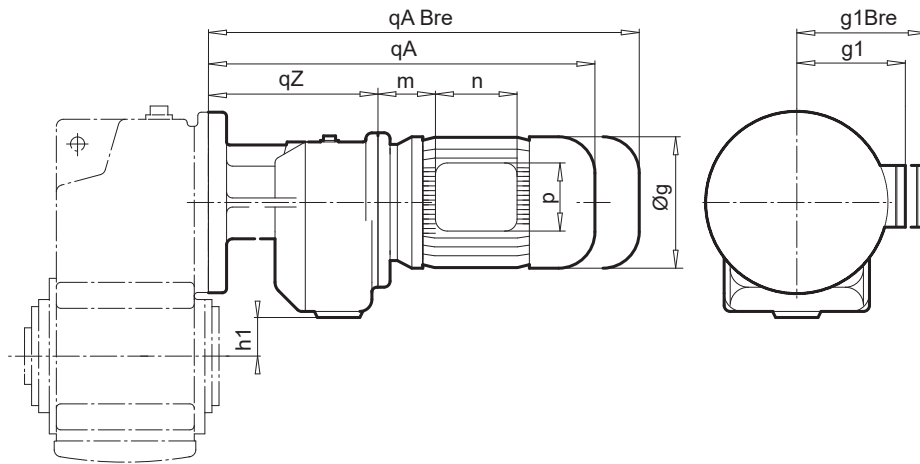
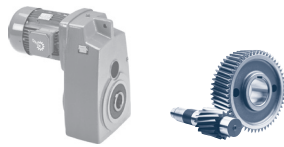


± ⇔ A60	SK 4282/12, SK 5282/12				SK 6382/22, SK 7382/22			
	63 SP/LP	71 SP/LP	80 SP/LP	100 LP/AP	71 SP/LP	80 SP/LP	90 SP/LP	100 LP/AP
g	130	145	164	202	145	164	184	202
g1 / g1Bre	114 / 122	124 / 134	142 / 142	169 / 172	124 / 134	142 / 142	147 / 147	169 / 172
qA / qABre	350 / 406	390 / 448	415 / 479	486 / 577	410 / 468	435 / 499	476 / 551	506 / 597
o / oBre	196 / 252	236 / 294	261 / 325	332 / 423	230 / 288	255 / 319	296 / 371	326 / 417
qz	154				180			
m / mBre	16 / 22	42 / 48	47 / 50	58 / 61	36 / 42	41 / 44	46 / 49	52 / 55
n / nBre	100 / 134	100 / 134	114 / 153	114 / 153	100 / 134	114 / 153	114 / 153	114 / 153
p / pBre	100 / 89	100 / 89	114 / 108	114 / 108	100 / 89	114 / 108	114 / 108	114 / 108
h1	100				157			
± ⇔	SK 4282 ⇔ D102, SK 5282 ⇔ D104				SK 6382 ⇔ D107, SK 7382 ⇔ D109			



± ⇔ A60	SK 6382/32				SK 7382/32, SK 8382/32			
	90 SP/LP	100 LP/AP	112 MP	132 SP	80 SP/LP	90 SP/LP	100 LP/AP	112 MP
g	184	202	226	264	164	184	202	226
g1 / g1Bre	147 / 147	169 / 172	179 / 182	203 / 201	142 / 142	147 / 147	169 / 172	179 / 182
qA / qABre	515 / 590	544 / 635	567 / 661	653 / 760	474 / 538	515 / 590	545 / 636	592 / 686
o / oBre	296 / 371	326 / 417	349 / 443	435 / 542	255 / 319	296 / 371	326 / 417	374 / 468
qz	218				218			
m / mBre	46 / 49	52 / 55	58 / 61	71 / 62	41 / 44	46 / 49	52 / 55	58 / 61
n / nBre	114 / 153	114 / 153	114 / 153	122 / 185	114 / 153	114 / 153	114 / 153	114 / 153
p / pBre	114 / 108	114 / 108	114 / 108	122 / 139	114 / 108	114 / 108	114 / 108	114 / 108
h1	126				162			
± ⇔	SK 6382 ⇔ D107				SK 7382 ⇔ D109, SK 8382 ⇔ D111			



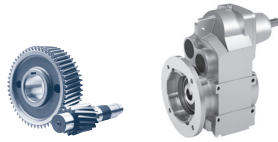


± ⇨ A60	SK 8382/42, SK 9382/42					SK 9382/52		
	90 SP/LP	100 LP/AP	112 MP	132 SP/MP	160 SP	132 SP/MP	160 SP/MP	180 MP
g	184	202	226	264	319	264	319	357
g1 / g1Bre	147 / 147	169 / 172	179 / 182	203 / 201	242 / 242	203 / 202	242 / 242	258 / 258
qA / qABre	536 / 611	566 / 657	614 / 708	675 / 782	752 / 887	715 / 822	792 / 927	916 / 1043
o / oBre	276 / 351	306 / 397	354 / 448	415 / 522	492 / 627	415 / 522	492 / 627	616 / 744
qz	260					300		
m / mBre	26 / 29	32 / 35	38 / 41	51 / 42	52 / 52	51 / 42	52 / 52	55 / 55
n / nBre	114 / 153	114 / 153	114 / 153	122 / 185	186 / 186	122 / 185	186 / 186	186 / 186
p / pBre	114 / 108	114 / 108	114 / 108	122 / 139	186 / 186	122 / 139	186 / 186	186 / 186
h1	185					252		
± ⇨	SK 8382 ⇨ D111, SK 9382 ⇨ D113					SK 9382 ⇨ D113		



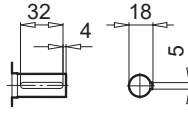
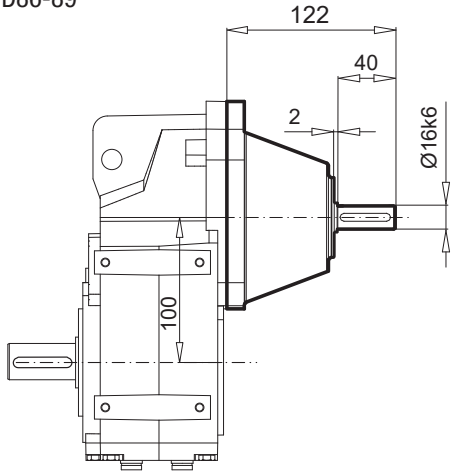
W ⇨ D120
IEC, NEMA ⇨ D129



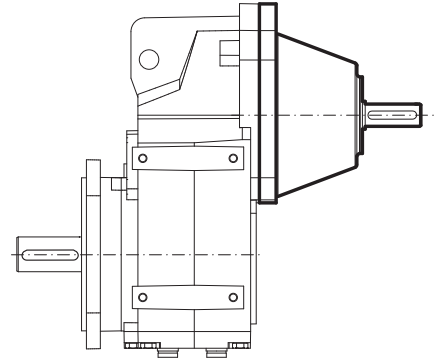


SK 0182.1, SK 0282.1 VXZ (AXZ)

⇒ D86-89

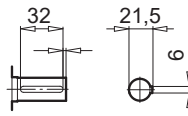
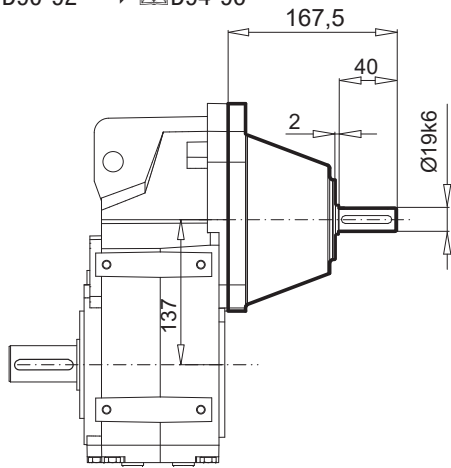


SK 0182.1, SK 0282.1 VXF (AXF)

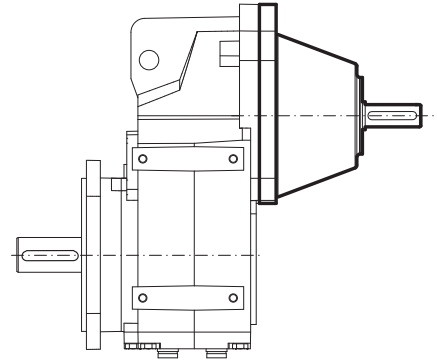


SK 1282.1, SK 1382.1 VXZ (AXZ)

⇒ D90-92 ⇒ D94-96



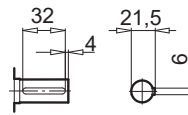
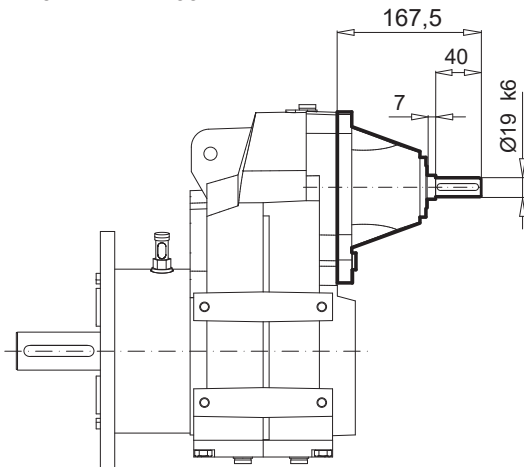
SK 1282.1, SK 1382.1 VXF (AXF)



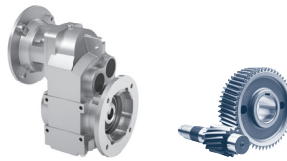
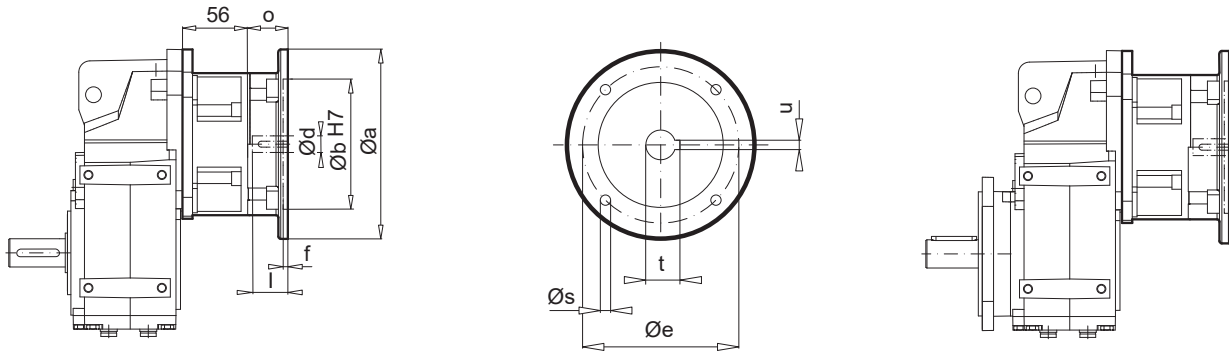
VL2/VL3

SK 1282.1, SK 1382.1 VXF (AXF)

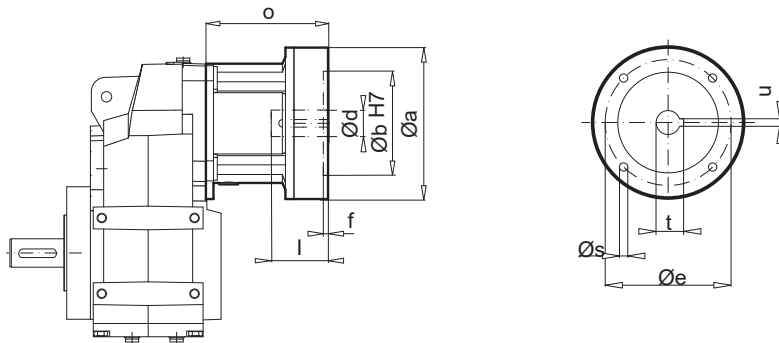
⇒ D91 ⇒ D95



UNICASE™ Parallel shaft gear units


SK 0182.1, SK 0282.1 VXZ (AXZ)


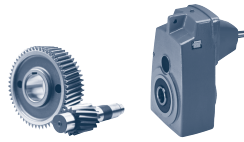
IEC	Ø a	Ø b	Ø e	f	Ø s	o	Ø d	l	t	u
63 - C90	90	60	75	4	M5,5	32,5				
63 - C120	120	80	100	4	M6,6	32,5	11	23	12,8	4
63 - A140	140	95	115	4	M9,0	32,5				
71 - C105	105	70	85	4	M7,0	32,5				
71 - C140	140	95	115	4	M9,0	32,5	14	30	16,3	5
71 - A160	160	110	130	4	M9,0	32,5				
80 - C120	120	80	100	4	M6,6	32,5				
80 - C160	160	110	130	4	M9,0	32,5	19	40	21,8	6
80 - A200	200	130	165	4	M10	32,5				
90 - C140	140	95	115	4	M9,0	45,5				
90 - C160	160	110	130	4	M9,0	45,5	24	50	27,3	8
90 - A200	200	130	165	4	M10	45,5				

1282.1, 1382.1 VXZ (AXZ)


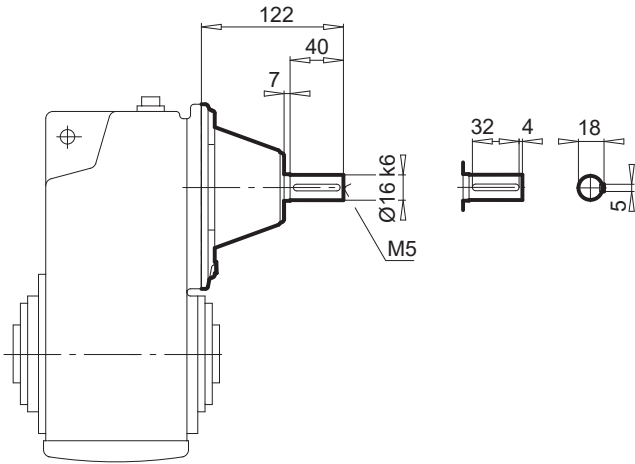
IEC	Ø a	Ø b	Ø e	f	Ø s	o	Ø d	l	t	u
100 - C160	160	110	130	5	M9,0	129				
100 - C200	200	130	165	5	M9,0	129	28	60	31,3	8
100 - A250	250	180	215	5	M12	129				
112 - C160	160	110	130	5	M9,0	129				
112 - C200	200	130	165	5	M9,0	129	28	60	31,3	8
112 - A250	250	180	215	5	M12	129				

**SK 0182.1 - NEMA N56C, N140TC
SK 0282.1 - NEMA N56C, N140TC**
**SK 1282.1 - NEMA N56C ... N180TC
SK 1382.1 - NEMA N56C ... N180TC**

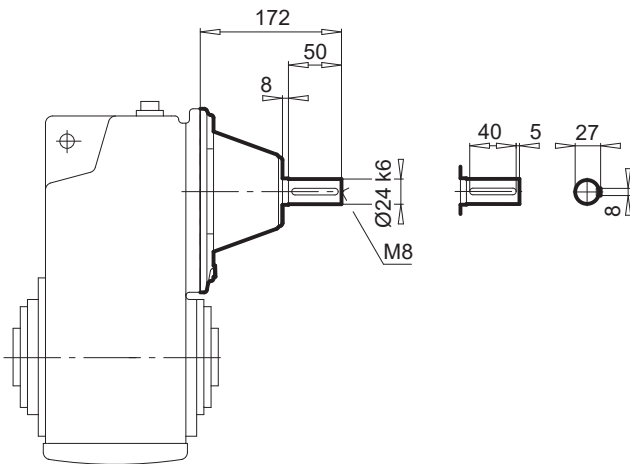
NEMA	Ø a	Ø b	Ø e	f	Ø s	o	Ø d	l	t	u
N56C	166	114,3	149,2	4,5	11	93,0	15,9	52,3	18,0	4,8
N140TC	166	114,3	149,2	4,5	11	105,0	22,2	53,8	24,4	4,8
N180TC	233	215,9	184,2	5,8	14	147,8	28,6	72,5	31,8	6,4



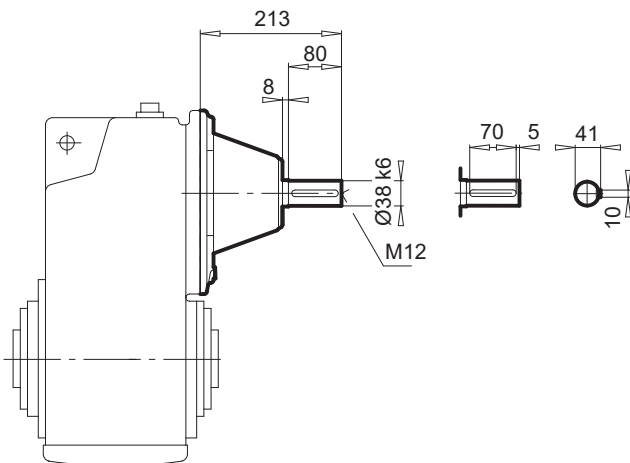
SK ... - W



Type	⇒	📖
SK 1282		D97
SK 2382		D99
SK 3382		D101
SK 1282/02		D116
SK 2282/02		D116
SK 3282/12		D116
SK 4282/12		D116
SK 5282/12		D116

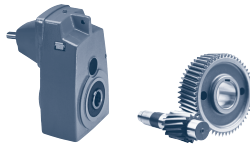


Type	⇒	📖
SK 2282		D98
SK 3282		D100
SK 4382		D103
SK 5382		D105
SK 6382/22		D116
SK 6382/32		D116
SK 7382/22		D116
SK 7382/32		D116
SK 8382/32		D116



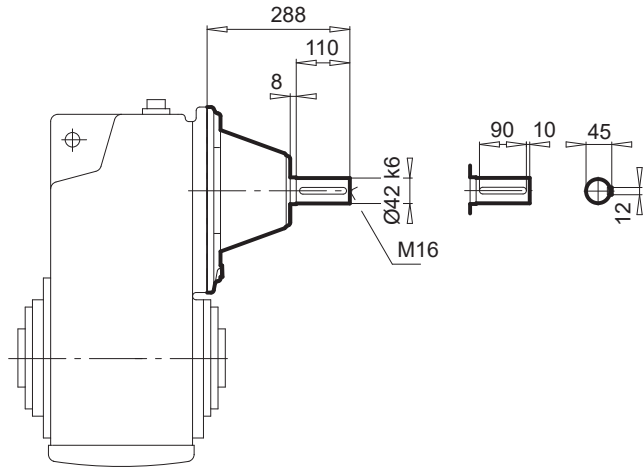
Type	⇒	📖
SK 4282		D102
SK 5282		D104
SK 6382		D107
SK 8382/42		D116
SK 9382/42		D116
SK 9382/52		D117

UNICASE™ Parallel shaft gear units

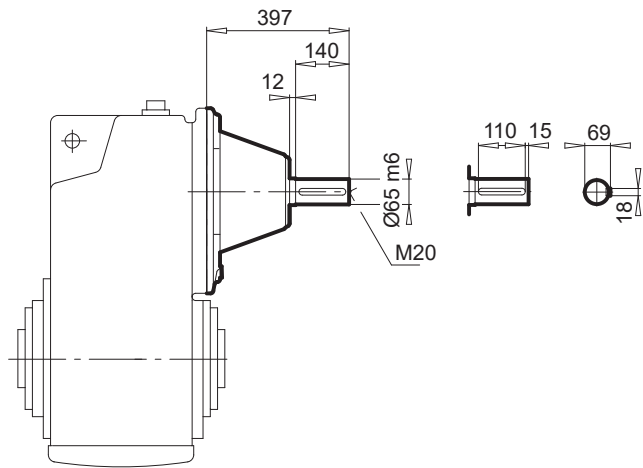


SK ... - W

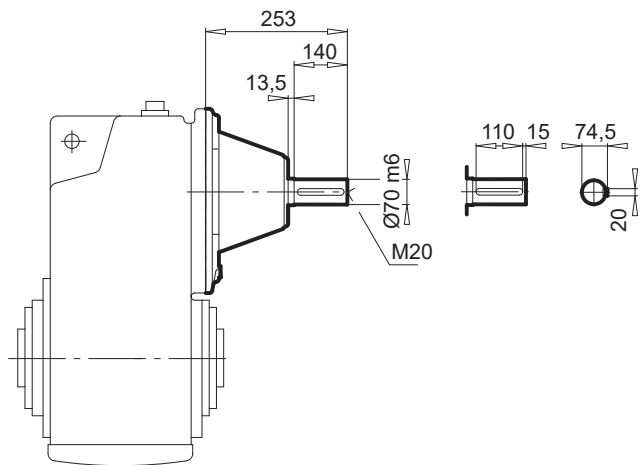
Type	⇒	📖
SK 6282		D106
SK 7282		D108
SK 7382		D109
SK 8382		D111
SK 9382		D113



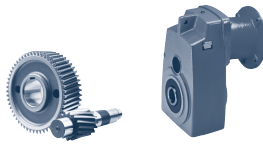
Type	⇒	📖
SK 8282		D110
SK 9282		D112



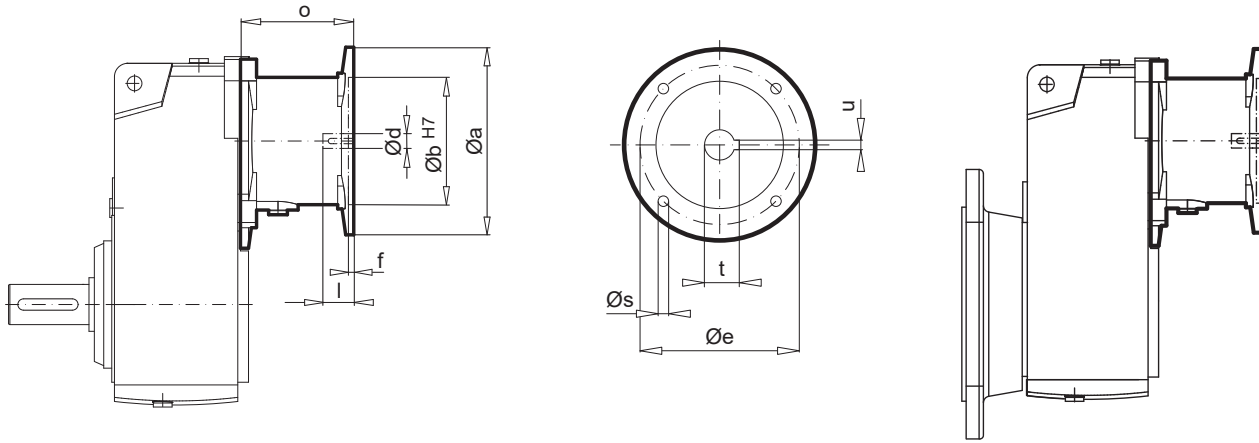
Type	⇒	📖
SK 10382.1		D114
SK 11382.1		D115



UNICASE™ Parallel shaft gear units



SK 1282 - IEC 63 ... 112 SK 2282 - IEC 71 ... 132



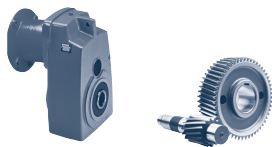
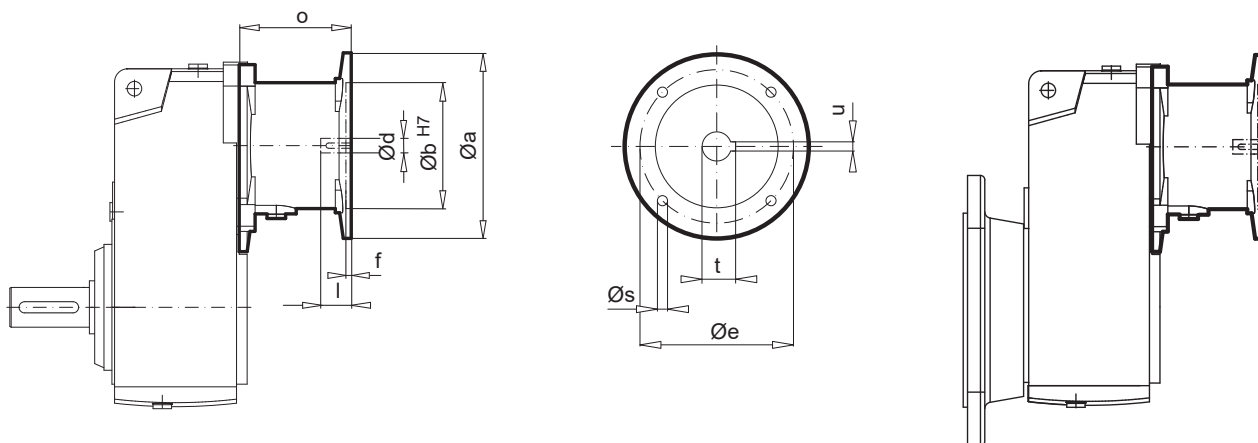
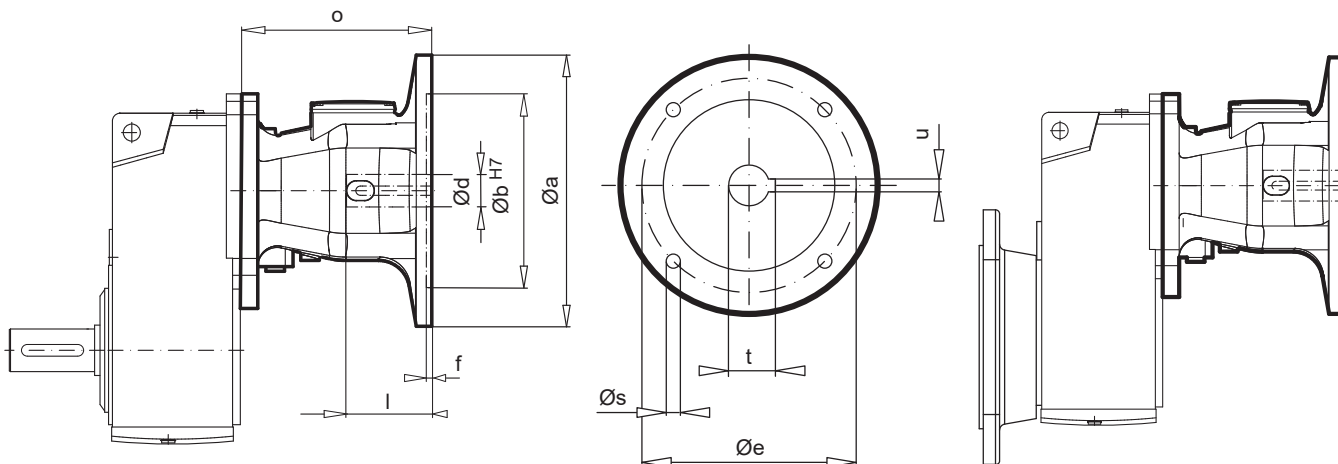
UNICASE™ Parallel shaft gear units

IEC	Ø a	Ø b	Ø e	f	Ø s	o	Ø d	l	t	u
IEC 63	140	95	115	4,0	M8	84,5	11	23	12,8	4
IEC 71	160	110	130	4,5	M8	88	14	30	16,3	5
IEC 80	200	130	165	4,5	M10	108	19	40	21,8	6
IEC 90	200	130	165	4,5	M10	108	24	50	27,3	8
IEC 100	250	180	215	5,0	M12	125	28	60	31,3	8
IEC 112	250	180	215	5,0	M12	125	28	60	31,3	8
IEC 132	300	230	265	5,0	M12	156	38	80	41,3	10

SK 1282 - NEMA N56C ... N180TC

SK 2282 * - NEMA N56C ... N210TC

NEMA	Ø a	Ø b	Ø e	f	Ø s	o	Ø d	l	t	u
N56C	166	114,3	149,2	4,5	11	113 (117*)	15,9	52,3	18,0	4,8
N140TC	166	114,3	149,2	4,5	11	113 (117*)	22,2	53,8	24,4	4,8
N180TC	233	215,9	184,2	5,8	15	143,5 (140*)	28,6	66,6	31,5	6,3 (6,4*)
N210TC	233	215,9	184,2	5,8	15	168,8	34,9	79,2	38,6	7,9

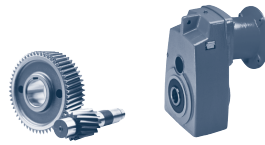

SK 3282 - IEC 71 ... 132 SK 4282 * - IEC 90 ... 132

SK 4282 - AI160


UNICASE™ Parallel shaft gear units

IEC / AI	Ø a	Ø b	Ø e	f	Ø s	o	Ø d	l	t	u
IEC 71	160	110	130	4,5	M8	88	14	30	16,3	5
IEC 80	200	130	165	4,5	M10	108	19	40	21,8	6
IEC 90	200	130	165	4,5	M10	108 (108,5*)	24	50	27,3	8
IEC 100	250	180	215	5,0	M12	125 (133*)	28	60	31,3	8
IEC 112	250	180	215	5,0	M12	125 (133*)	28	60	31,3	8
IEC 132	300	230	265	5,0	M12	156 (190)	38	80	41,3	10
AI 160	350	250	300	7,0	M16	247	42	110	45,3	12

SK 3282 - NEMA N56C ... N210TC SK 4282 * - NEMA N56C ... AN250TC

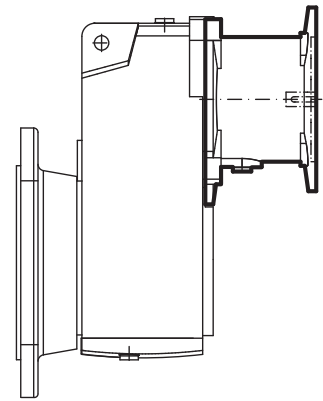
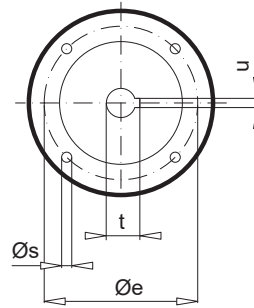
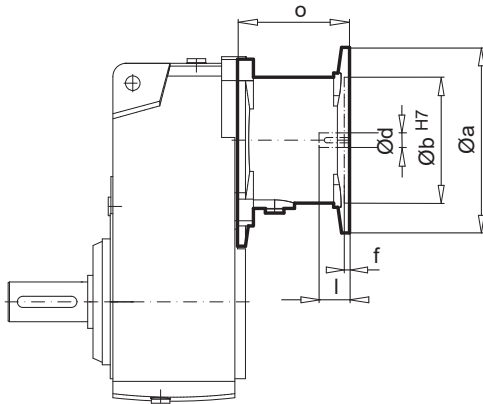
NEMA / AN	Ø a	Ø b	Ø e	f	Ø s	o	Ø d	l	t	u
N56C	166	114,3	149,2	4,5	11	117 (110*)	15,9	52,3	18,0	4,8
N140TC	166	114,3	149,2	4,5	11	117 (110*)	22,2	53,8	24,4	4,8
N180TC	233	215,9	184,2	5,8	15	168,8 (201*)	28,6	66,6	31,5	6,3
N210TC	233	215,9	184,2	5,8	15	168,8 (201*)	34,9	79,2	38,6	7,9
AN250TC	233	215,9	184,2	5,8	13,5	235,8	41,3	95,2	45,7	9,5



SK 5282 - IEC 90 ... 132

SK 6282 * - IEC 100 ... 132

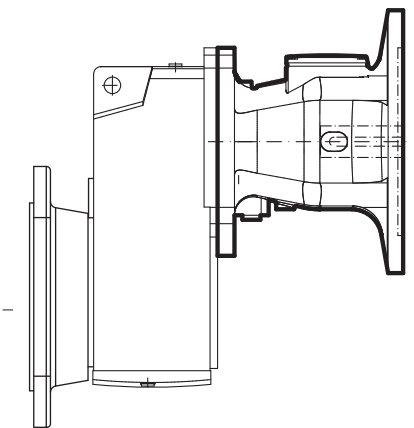
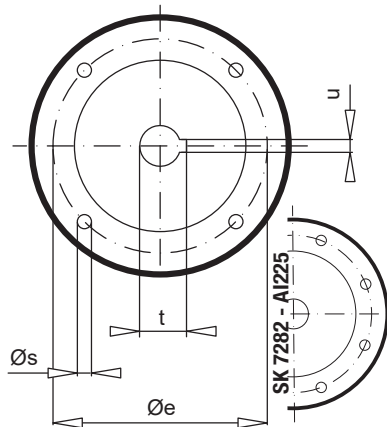
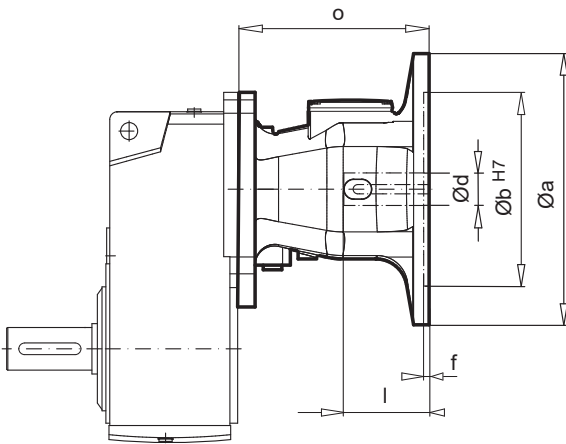
SK 7282 * - IEC 132



SK 5282 - AI160, AI180

SK 6282 - AI160 ... AI225

SK 7282 - AI160 ... AI225

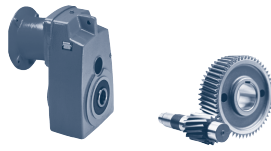


UNICASE™ Parallel shaft gear units

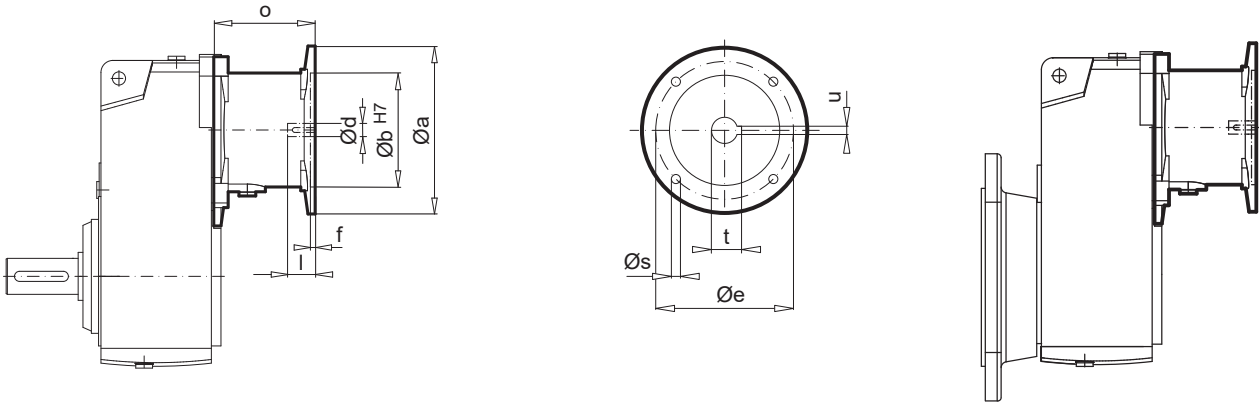
IEC / AI	Ø a	Ø b	Ø e	f	Ø s	o	Ø d	l	t	u
IEC 90	200	130	165	4,5	M10	108,5	24	50	27,3	8
IEC 100	250	180	215	5,0	M12	133 (127*)	28	60	31,3	8
IEC 112	250	180	215	5,0	M12	133 (127*)	28	60	31,3	8
IEC 132	300	230	265	5,0	M12	190 (177*)	38	80	41,3	10
AI 160	350	250	300	7,0	M16	247	42	110	45,3	12
AI 180	350	250	300	7,0	M16	247	48	110	51,8	14
AI 200	400	300	350	7,0	M16	251	55	110	59,3	16
AI 225	450	350	400	7,0	M16	303	60	140	64,4	18

SK 5282 - NEMA N56C ... AN280TC, SK 6282 * - NEMA N180TC ... AN360TC, SK 7282 * - NEMA N180TC ... AN360TC

NEMA / AN	Ø a	Ø b	Ø e	f	Ø s	o	Ø d	l	t	u
N56C	166	114,3	149,2	4,5	11	110	15,9	52,3	18,0	4,8
N140TC	166	114,3	149,2	4,5	11	110	22,2	53,8	24,4	4,8
N180TC	233	215,9	184,2	5,8	15	201 (191*)	28,6	66,6	31,5	6,3
N210TC	233	215,9	184,2	5,8	15	201 (191*)	34,9	79,2	38,6	7,9
AN250TC	233	215,9	184,2	5,8	13,5	235,8	41,3	95,2	45,7	9,5
AN280TC	350	266,7	228,6	5,8	13,5	252,8	47,6	111,2	51,6	12,7
AN320TC	400	317,5	279,4	5,8	17,5	256,8	54,0	127,0	59,7	12,7
AN360TC	550	317,5	279,4	5,0	17,5	308	60,4	142,7	67,3	15,9

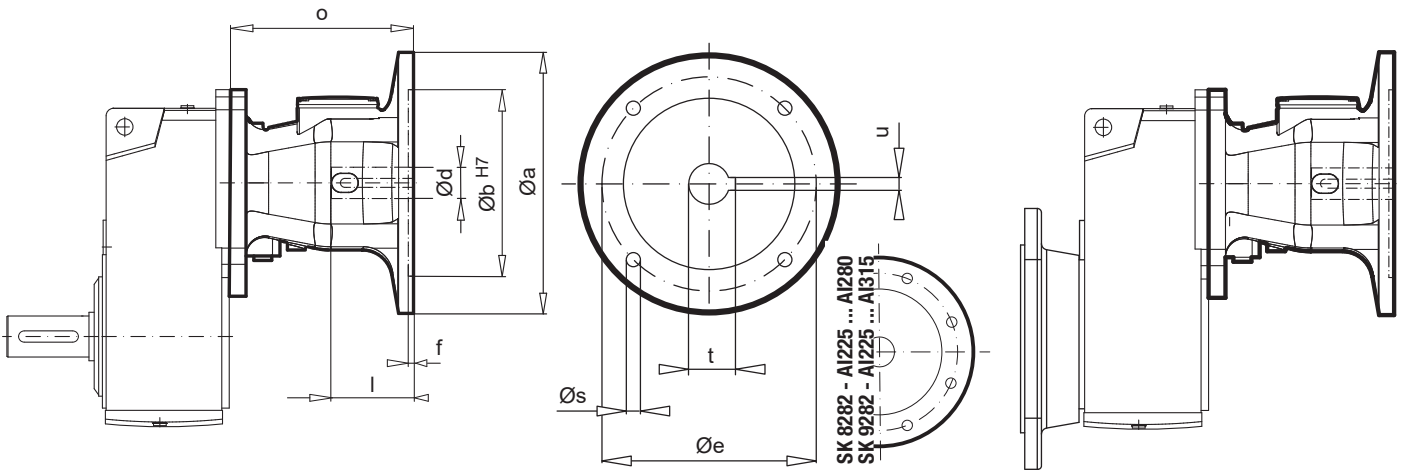


SK 8282 - IEC 132



SK 8282 - AI160 ... AI280

SK 9282 - AI180 ... AI315



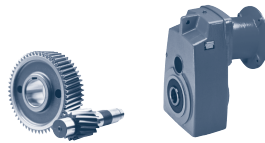
UNICASE™ Parallel shaft gear units

IEC / AI	Ø a	Ø b	Ø e	f	Ø s	o	Ø d	l	t	u
IEC 132	300	230	265	5,0	M12	177	38	80	41,3	10
AI 160	350	250	300	7,0	M16	247	42	110	45,3	12
AI 180	350	250	300	7,0	M16	247	48	110	51,8	14
AI 200	400	300	350	7,0	M16	251	55	110	59,3	16
AI 225	450	350	400	7,0	M16	303	60	140	64,4	18
AI 250	550	450	500	7,0	M16	338,5	65	140	69,4	18
AI 280	550	450	500	7,0	M16	338,5	75	140	79,9	20
AI 315	660	550	600	7,0	M20	400	80	170	85,4	22

SK 8282 - NEMA N180TC ... AN360TC

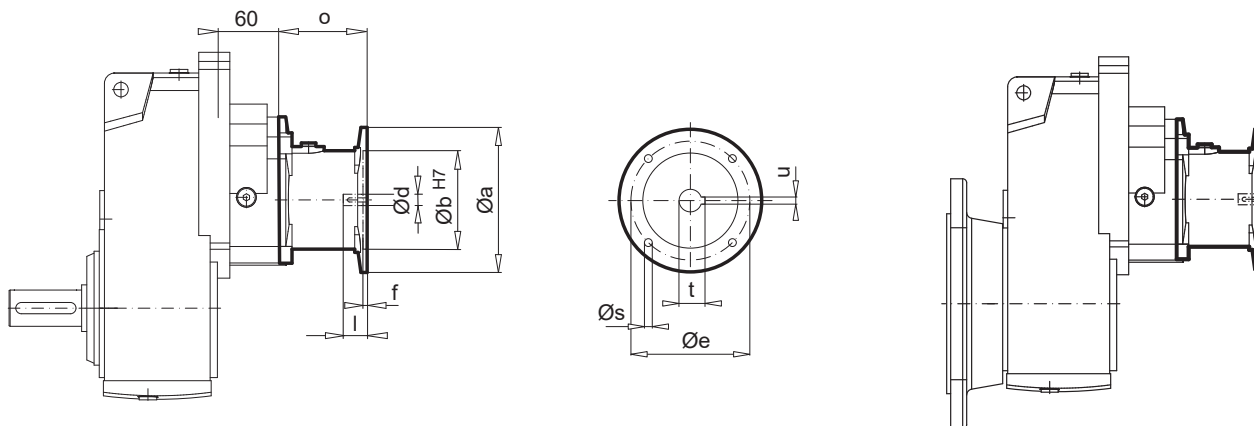
SK 9282 - NEMA N180TC ... AN360TC

NEMA / AN	Ø a	Ø b	Ø e	f	Ø s	o	Ø d	l	t	u
N180TC	233	215,9	184,2	5,8	15	191	28,6	66,6	31,5	6,4
N210TC	233	215,9	184,2	5,8	15	191	34,9	79,2	38,6	7,9
AN250TC	233	215,9	184,2	5,8	15	201	41,3	95,2	45,7	9,5
AN280TC	350	266,7	228,6	5,8	17,5	252,8	47,6	111,2	51,6	12,7
AN320TC	400	317,5	279,4	5,8	17,5	256,8	54,0	127,0	59,7	12,7
AN360TC	550	317,5	279,4	4,0	17,5	372,5	60,3	142,7	67,3	15,9



SK 2382 - IEC 63 ... 90

SK 3382 - IEC 63 ... 112

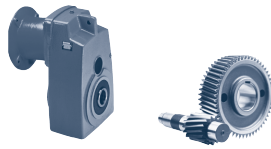


IEC	Ø a	Ø b	Ø e	f	Ø s	o	Ø d	l	t	u
IEC 63	140	95	115	4,0	M8	84,5	11	23	12,8	4
IEC 71	160	110	130	4,5	M8	88,5	14	30	16,3	5
IEC 80	200	130	165	4,5	M10	106	19	40	21,8	6
IEC 90	200	130	165	4,5	M10	106	24	50	27,3	8
IEC 100	250	180	215	5,0	M12	125	28	60	31,3	8
IEC 112	250	180	215	5,0	M12	125	28	60	31,3	8

SK 2382 - NEMA N56C, N140TC

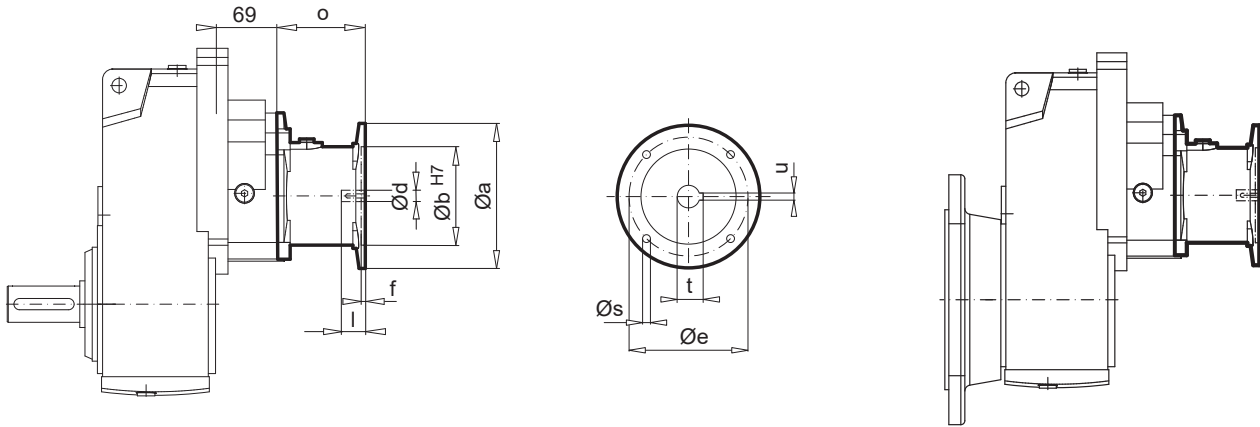
SK 3382 - NEMA N56C ... N180TC

NEMA	Ø a	Ø b	Ø e	f	Ø s	o	Ø d	l	t	u
N56C	166	114,3	149,2	4,5	11	113	15,9	52,3	18,0	4,8
N140TC	166	114,3	149,2	4,5	11	113	22,2	53,8	24,4	4,8
N180TC	233	215,9	184,2	5,8	15	143,5	28,6	66,6	31,5	6,3



SK 4382 - IEC 71 ... 112

SK 5382 - IEC 71 ... 112

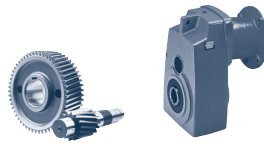


IEC	Ø a	Ø b	Ø e	f	Ø s	o	Ø d	l	t	u
IEC 71	160	110	130	4,5	M8	88	14	30	16,3	5
IEC 80	200	130	165	4,5	M10	108	19	40	21,8	6
IEC 90	200	130	165	4,5	M10	108	24	50	27,3	8
IEC 100	250	180	215	5,0	M12	125	28	60	31,3	8
IEC 112	250	180	215	5,0	M12	125	28	60	31,3	8

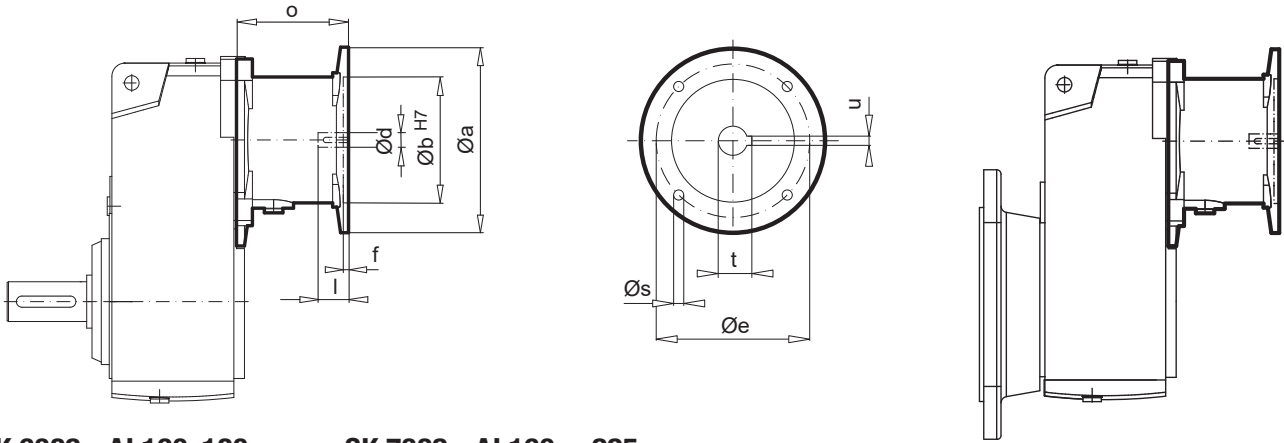
SK 4382 - NEMA N56C ... N180TC

SK 5382 - NEMA N56C ... AN210TC

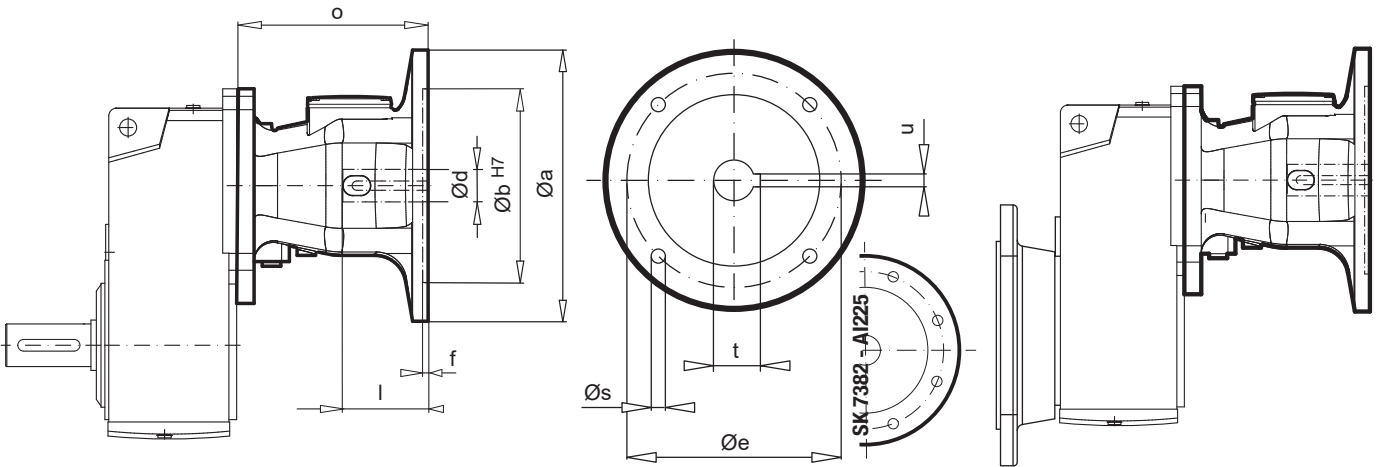
NEMA / AN	Ø a	Ø b	Ø e	f	Ø s	o	Ø d	l	t	u
N56C	166	114,3	149,2	4,5	11	117	15,9	52,3	18,0	4,8
N140TC	166	114,3	149,2	4,5	11	117	22,2	53,8	24,4	4,8
N180TC	233	215,9	184,2	5,8	15	168,8	28,6	66,6	31,5	6,3
N210TC	233	215,9	184,2	5,8	15	168,8	34,9	79,2	38,6	7,9



SK 6382 - IEC 90 ... 132 SK 7382 * - IEC 100 ... 132



SK 6382 - AI 160, 180 SK 7382 - AI 160 ... 225

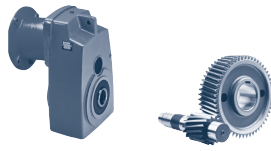
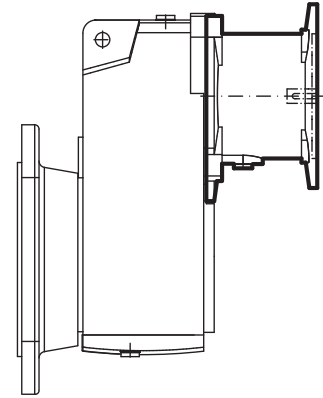
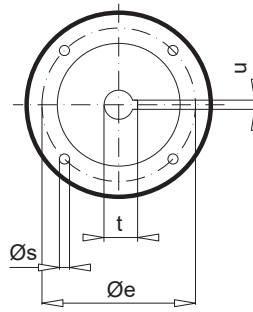
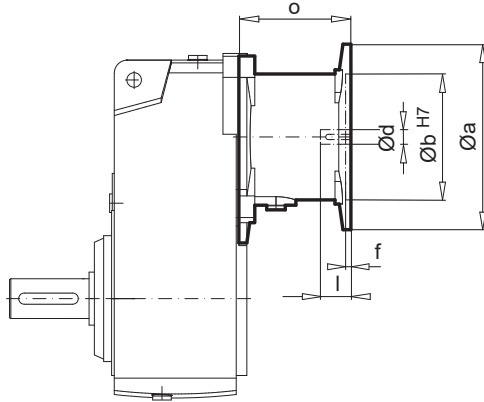
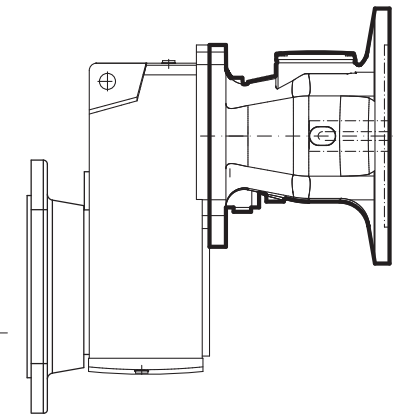
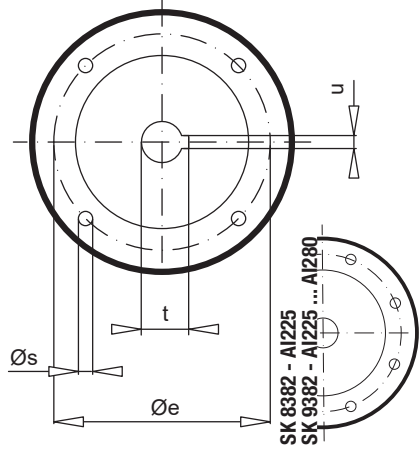
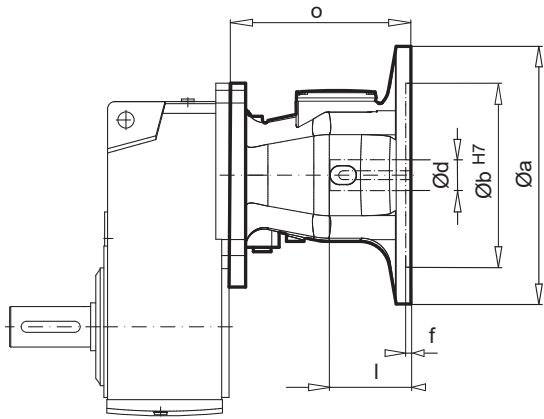


UNICASE™ Parallel shaft gear units

IEC / AI	Ø a	Ø b	Ø e	f	Ø s	o	Ø d	l	t	u
IEC 90	200	130	165	4,5	M10	108,5	24	50	27,3	8
IEC 100	250	180	215	5,0	M12	133 (127*)	28	60	31,3	8
IEC 112	250	180	215	5,0	M12	133 (127*)	28	60	31,3	8
IEC 132	300	230	265	5,0	M12	190 (177*)	38	80	41,3	10
AI 160	350	250	300	7,0	M16	247	42	110	45,3	12
AI 180	350	250	300	7,0	M16	247	48	110	51,8	14
AI 200	400	300	350	7,0	M16	251	55	110	59,3	16
AI 225	450	350	400	7,0	M16	303	60	140	64,4	18

SK 6382 - NEMA N56C ... AN280TC SK 7382 * - NEMA N180TC ... AN360TC

NEMA / AN	Ø a	Ø b	Ø e	f	Ø s	o	Ø d	l	t	u
N56C	166	114,3	149,2	4,5	11	110	15,9	52,3	18,0	4,8
N140TC	166	114,3	149,2	4,5	11	110	22,2	53,8	24,4	4,8
N180TC	233	215,9	184,2	5,8	15	201 (191*)	28,6	66,6	31,5	6,4
N210TC	233	215,9	184,2	5,8	15	201 (191*)	34,9	79,2	38,6	7,9
AN250TC	233	215,9	184,2	5,8	13,5	235,8 (242,8*)	41,3	95,2	45,7	9,5
AN280TC	350	266,7	228,6	5,8	13,5 (17,5*)	252,8	47,6	111,2	51,6	12,7
AN320TC	400	317,5	279,4	5,8	17,5	256,8	54,0	127,0	59,7	12,7
AN360TC	550	317,5	279,4	5,0	17,5	308	60,3	142,7	67,3	15,9

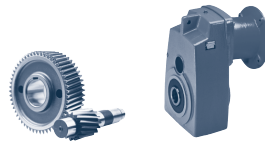

SK 8382 - IEC 100 ... 132 SK 9382 - IEC 132

SK 8382 - AI 160 ... 225 SK 9382 - AI 160 ... 280


UNICASE™ Parallel shaft gear units

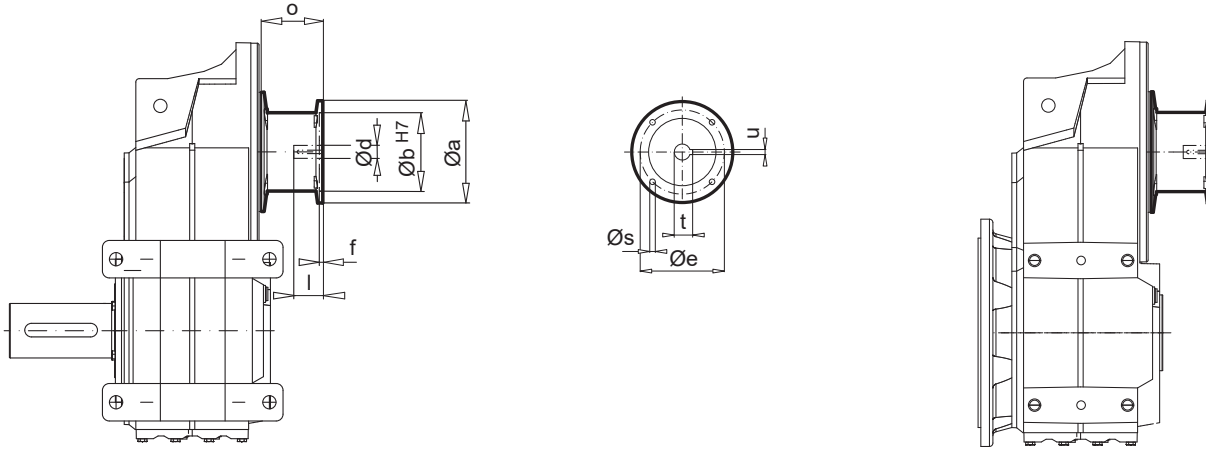
IEC / AI	Ø a	Ø b	Ø e	f	Ø s	o	Ø d	l	t	u
IEC 100	250	180	215	5,0	M12	127	28	60	31,3	8
IEC 112	250	180	215	5,0	M12	127	28	60	31,3	8
IEC 132	300	230	265	5,0	M12	177	38	80	41,3	10
AI 160	350	250	300	7,0	M16	247	42	110	45,3	12
AI 180	350	250	300	7,0	M16	247	48	110	51,8	14
AI 200	400	300	350	7,0	M16	251	55	110	59,3	16
AI 225	450	350	400	7,0	M16	303	60	140	64,4	18
AI 250	550	450	500	7,0	M16	338,5	65	140	69,4	18
AI 280	550	450	500	7,0	M16	338,5	75	140	79,9	20

SK 8382 - NEMA N180TC ... AN360TC
SK 9382 - NEMA N180TC ... AN360TC

NEMA / AN	Ø a	Ø b	Ø e	f	Ø s	o	Ø d	l	t	u
N180TC	233	215,9	184,1	5,8	15	191	28,6	66,6	31,5	6,4
N210TC	233	215,9	184,1	5,8	15	191	34,9	79,2	38,6	7,9
AN250TC	235	215,9	184,2	5,8	13,5	242,8	41,3	95,2	45,7	9,5
AN280TC	350	266,7	228,6	5,8	17,5	252,8	47,6	111,2	51,6	12,7
AN320TC	400	317,5	279,4	5,8	17,5	256,8	54,0	127,0	59,7	12,7
AN360TC	550	317,5	279,4	5,0	17,5	308	60,3	142,7	67,3	15,9

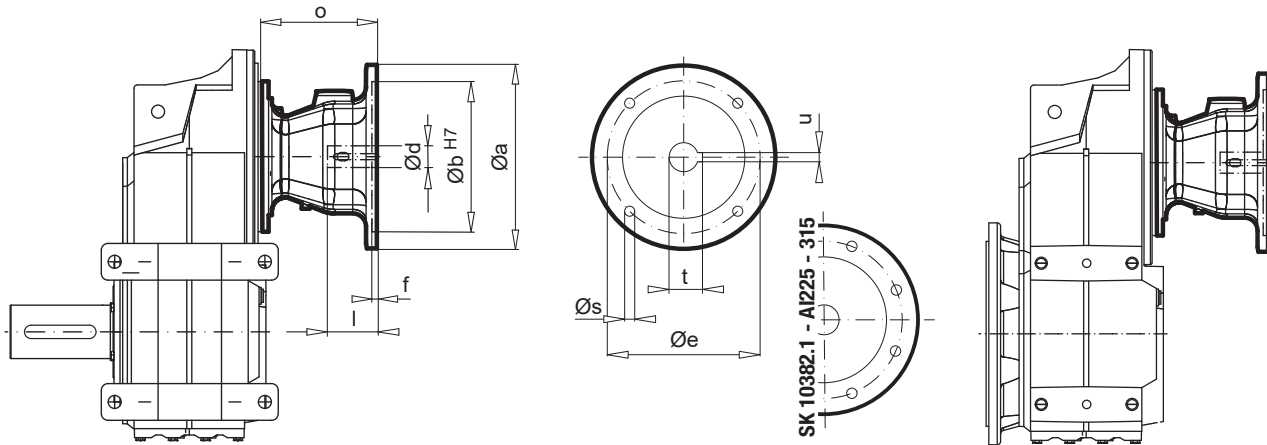


SK 10382.1 - IEC 132



SK 10382.1 - AI 160 ... 315

SK 11382.1 - AI 160 ... 315



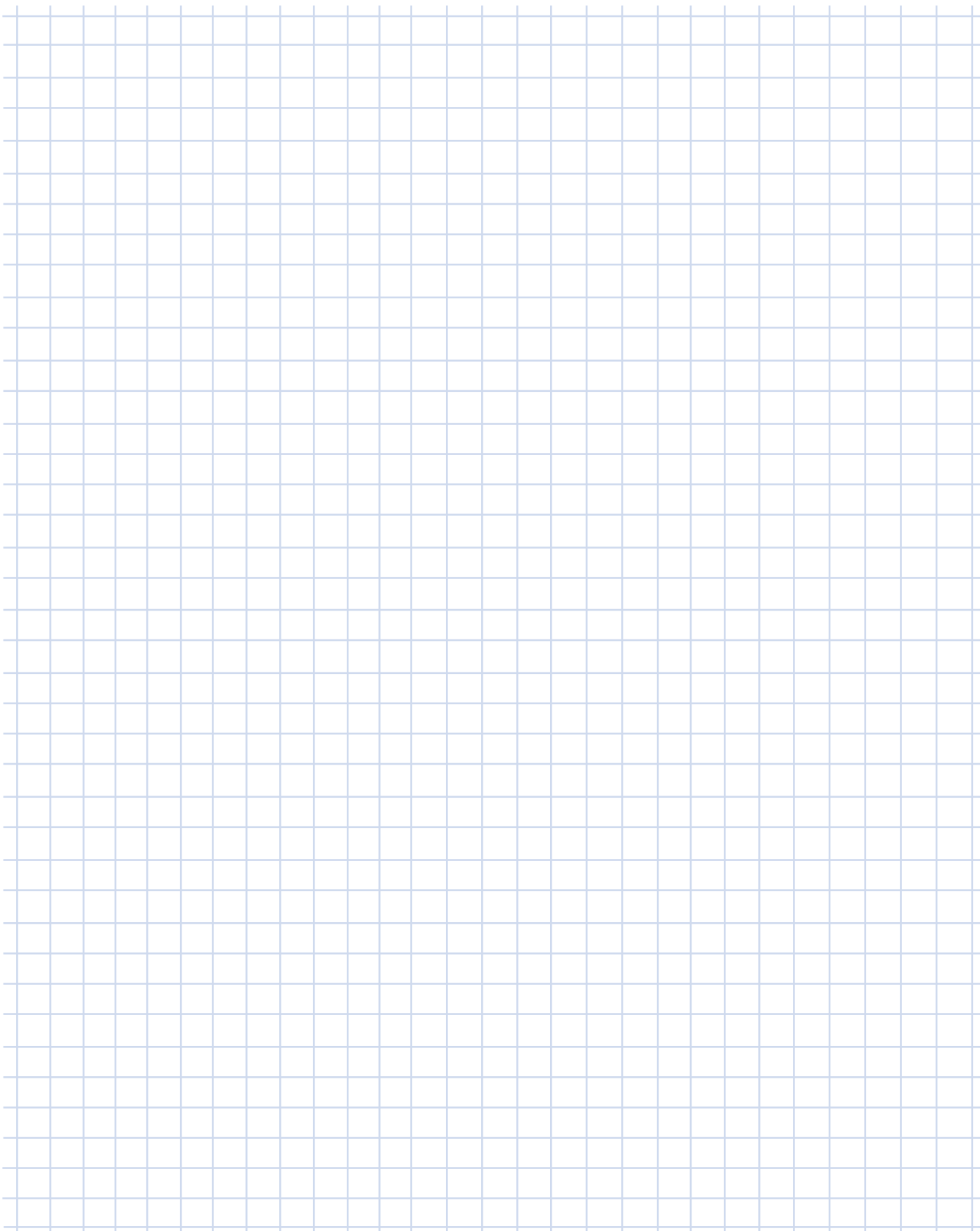
UNICASE™ Parallel shaft gear units

IEC / AI	Ø a	Ø b	Ø e	f	Ø s	o	Ø d	l	t	u
IEC 132	300	230	265	5,0	M12	177	38	80	41,3	10
AI 160	350	250	300	7,0	M16	247	42	110	45,3	12
AI 180	350	250	300	7,0	M16	247	48	110	51,8	14
AI 200	400	300	350	7,0	M16	251	55	110	59,3	16
AI 225	450	350	400	7,0	M16	303	60	140	64,4	18
AI 250	550	450	500	7,0	M16	338,5	65	140	69,4	18
AI 280	550	450	500	7,0	M16	338,5	75	140	79,9	20
AI 315	660	550	600	7,0	M20	400	80	170	85,4	22

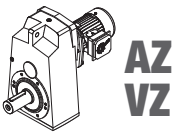
SK 10382.1 - NEMA N56C ... AN280TC

SK 11382.1 - NEMA N180TC ... AN360TC

NEMA / AN	Ø a	Ø b	Ø e	f	Ø s	o	Ø d	l	t	u
N180TC	233	215,9	184,1	5,8	15	191	28,6	66,6	31,5	6,4
N210TC	233	215,9	184,1	5,8	15	191	34,9	79,2	38,6	7,9
AN250TC	235	215,9	184,2	5,8	13,5	242,8	41,3	95,2	45,7	9,5
AN280TC	350	266,7	228,6	5,8	17,5	252,8	47,6	111,2	51,6	12,7
AN320TC	400	317,5	279,4	5,8	17,5	256,8	54,0	127,0	59,7	12,7
AN360TC	550	317,5	279,4	4,0	17,5	372,5	60,3	142,7	67,3	15,9

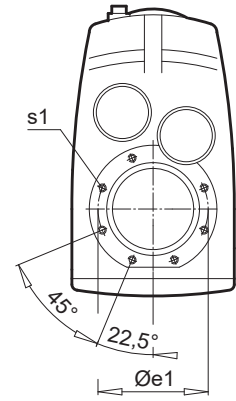
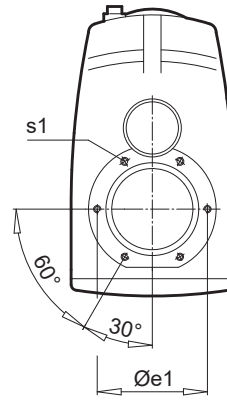
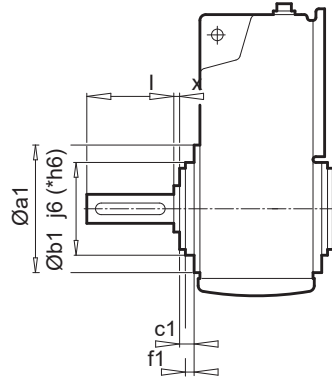
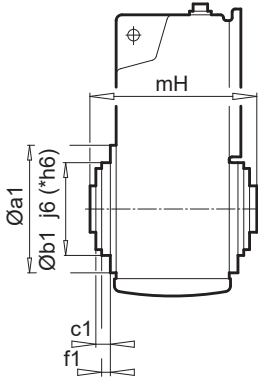


A large grid area for taking notes, consisting of a 20x30 grid of light blue lines.



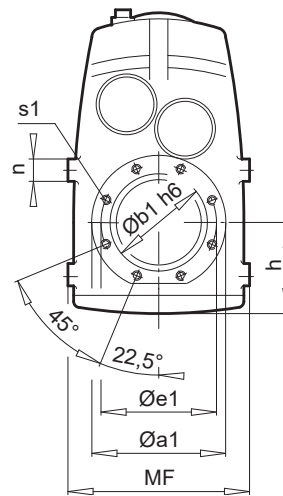
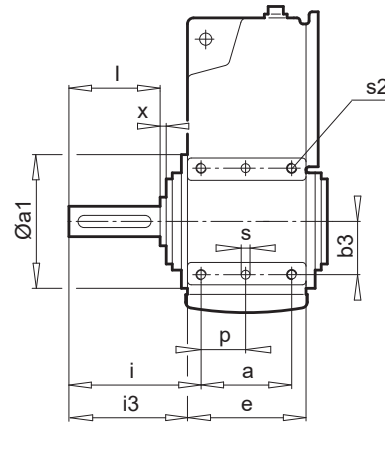
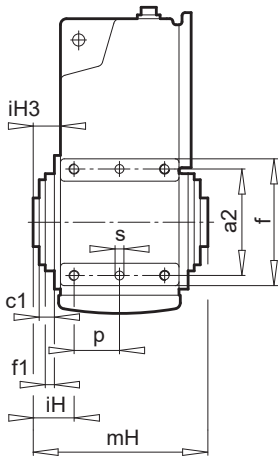
**SK 1282 AZ(VZ) -
SK 5382 AZ(VZ)**

**SK 6282 AZ(VZ) -
SK 8382 AZ(VZ)**

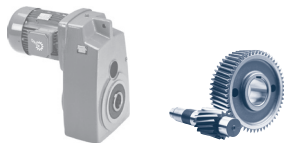


Type	a1	b1	c1	e1	f1	s1	mH	l	x
SK 1282 .Z	140	95	13	115	6,0	M8 x 13	122	60	4,0
SK 2282 .Z	160	110	12	130	5,0	M8 x 13	139	70	5,0
SK 2382 .Z									
SK 3282 .Z	200	130	7,0	165	7,0	M10 x 16	174	90	6,0
SK 3382 .Z									
SK 4282 .Z	230	160	11	194	5,0	M12 x 20	195	110	7,0
SK 4382 .Z									
SK 5282 .Z	250	180	9,0	215	5,0	M12 x 20	230	130	7,5
SK 5382 .Z									
SK 6282 .Z	300	230	11	265	4,0	M12 x 20	290	140	8,5
SK 6382 .Z									
SK 7282 .Z	350	*250	11	300	5,0	M16 x 25	310	170	6,0
SK 7382 .Z									
SK 8282 .Z	400	*300	13	350	5,0	M16 x 25	366	210	7,0
SK 8382 .Z									

UNICASE™ Parallel shaft gear units

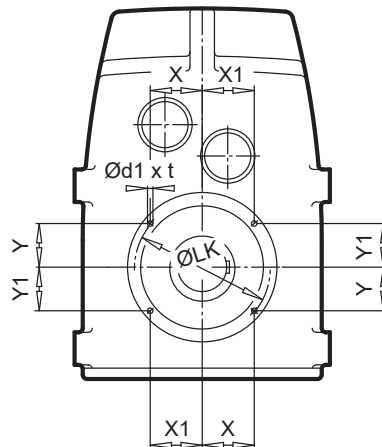
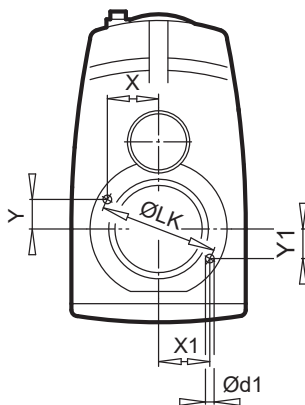
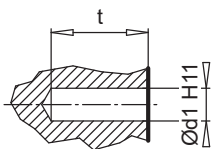


Type	a1	b1	c1	e1	f1	s1	a a2	e f	n p	Øs s2	h b3	i i3	iH iH3	MF	mH	l x
SK 9282 .Z	450	350	14	400	7,0	M20 x 30	245	306	80	25 x 30	295	315	65	640	430	250
SK 9382 .Z							360	440	122,5	M30 x 45	180	283,5	33,5			10
SK 10382.1 .Z	⇒ D114															
SK 11382.1 .Z	⇒ D115															

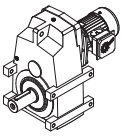


SK 1282 - SK 5382

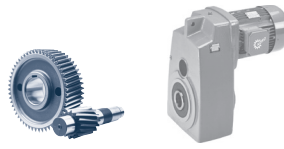
SK 6282 - SK 11382.1



Type	$\varnothing d1^{H11} \times t$	LK	X	X1	Y	Y1
SK 1282 .Z	8 x 12	115	56,14	56,14	12,45	12,45
SK 2282 .Z	8 x 12	130	62,79	62,79	16,82	16,82
SK 2382 .Z						
SK 3282 .Z	10 x 15	165	80,54	80,54	17,86	17,86
SK 3382 .Z						
SK 4282 .Z	12 x 20	194	93,69	93,69	25,11	25,11
SK 4382 .Z						
SK 5282 .Z	12 x 20	215	104,95	104,95	23,27	23,27
SK 5382 .Z						
SK 6282 .Z	12 x 20	265	111,75	111,75	71,19	71,19
SK 6382 .Z						
SK 7282 .Z	16 x 30	300	126,51	126,51	80,59	80,59
SK 7382 .Z						
SK 8282 .Z	16 x 30	350	147,59	147,59	94,03	94,03
SK 8382 .Z						
SK 9282 .Z	16 x 30	400	168,68	168,68	107,46	107,46
SK 9382 .Z						
SK 10382.1.Z	25 x 35	500	176,78	204,79	176,78	143,39
SK 11382.1.Z	25 x 25	500	176,78	204,79	176,78	143,39

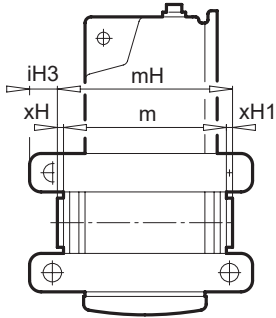


**AX
VX
AXSH**

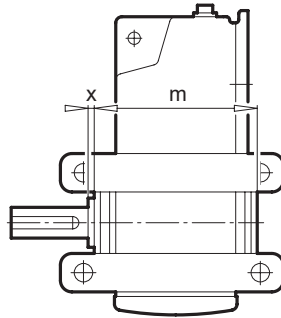


NORD
DRIVESYSTEMS

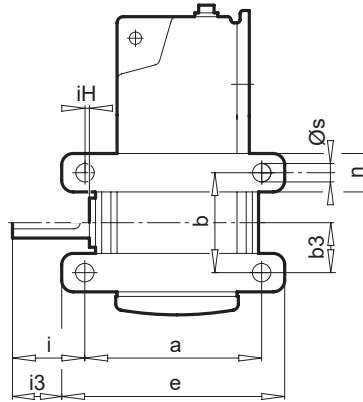
AX



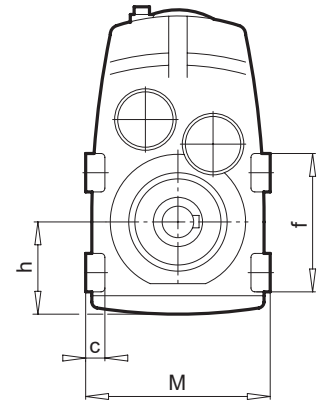
VX



AX / VX



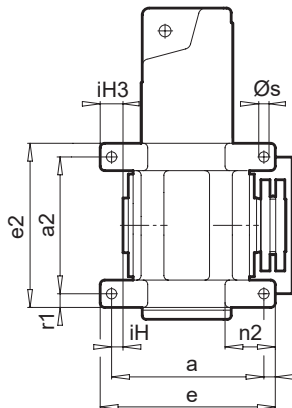
AX / VX



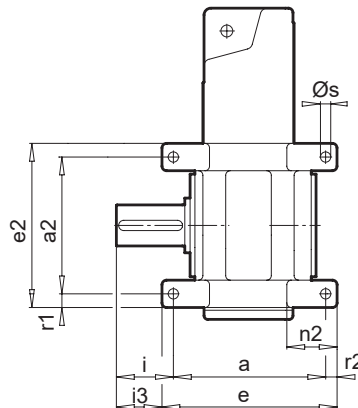
Type	a	b	c	e	f	n	s	b3	h	i	i3	iH	iH3	m	mH	x	xH	xH1	M
SK 1282 .X	142	80	16	164	110	30	11	43	77	53,0	42,0	7,0	18,0	115	122	4,0	4,0	3,0	170
SK 2282 .X	165	80	20	195	116	36	13	49	90	64,5	49,5	5,5	20,5	126	139	5,0	5,0	8,0	200
SK 2382 .X																			
SK 3282 .X	195	125	25	225	165	40	13	62	107	79,0	64,0	11,0	26,0	162	174	6,0	6,0	6,0	236
SK 3382 .X																			
SK 4282 .X	220	125	28	260	170	45	18	73	123	100,5	80,5	9,5	29,5	181	195	7,0	7,0	7,0	280
SK 4382 .X																			
SK 5282 .X	250	175	35	290	220	45	18	90	146	117,5	97,5	12,5	32,5	215	230	7,5	7,5	7,5	320
SK 5382 .X																			
SK 6282 .X	330	195	40	390	265	70	26	101	172	122,5	92,5	26,0	56,0	273	290	8,5	8,5	8,5	360
SK 6382 .X																			
SK 7282 .X	370	215	45	440	305	90	33	113	197	140,0	105,0	30,0	65,0	298	310	6,0	6,0	6,0	424
SK 7382 .X																			
SK 8282 .X	420	240	60	500	350	110	33	124	225	184,0	144,0	26,0	66,0	352	366	7,0	7,0	7,0	500
SK 8382 .X																			

UNICASE™ Parallel shaft gear units

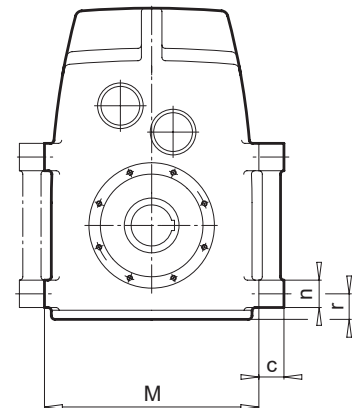
AXSH



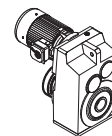
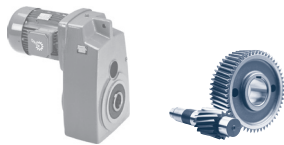
VX



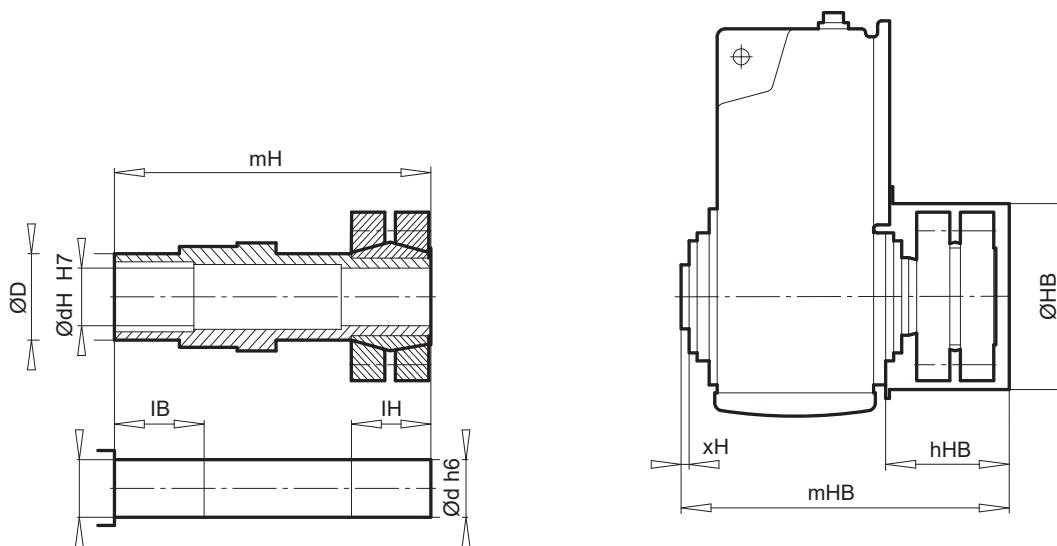
AXSH / VX



Type	a	a2	c	e	e2	n	n2	r	r1	r2	s	i	i3	iH	iH3	M
SK 9282 .X	470	360	70	570	460	100	190	115	50	50	45	225	175	25	75	640
SK 9382 .X																
SK 10382.1 .X	450	420	100	530	530	110	170	116	55	40	39	313	273	13	27	680
SK 11382.1 .X	500	600	170	600	720	120	200	91	60	50	45	308	258	8	42	820



SK ... AVSH → A82

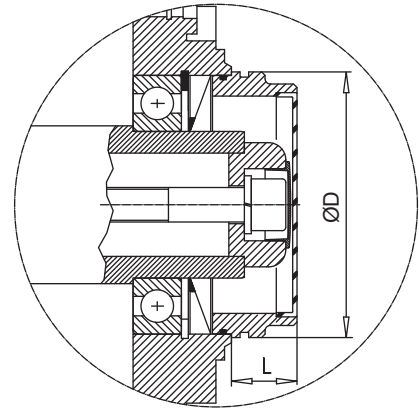
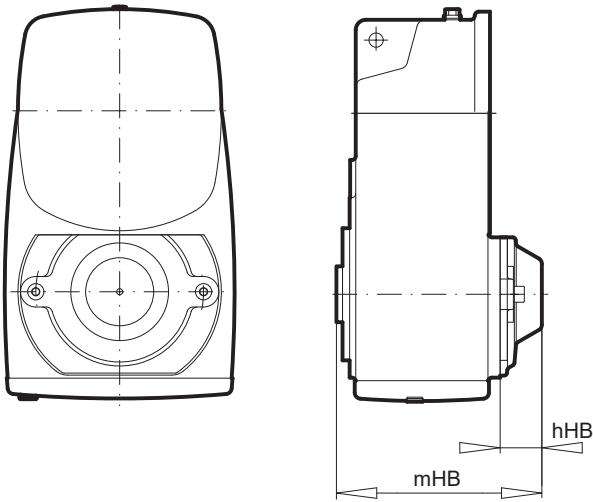


Type	D	dH	d	IB	IH	mH	xH	hHB	HB	mHB
SK 7282 SK 7382	110	85	85	56	120	429	6,0	147	258	446
SK 8282 SK 8382	130	100	100	71,5	149	510	7,0	198	306	544
SK 9282 SK 9382	160	130	130	82	182	607	10,0	235	364	631



**SK ... AH
SK ... AZH**

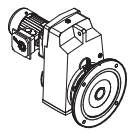
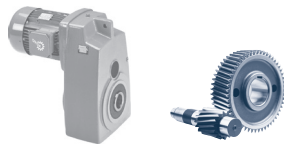
**SK ... AH 66
SK ... AZH 66**



Type	hHB	mHB
SK 1282 AH AZH	31	150
SK 2282 AH AZH	43	174
SK 2382 AH AZH		
SK 3282 AH AZH	45	213
SK 3382 AH AZH		
SK 4282 AH AZH	45	233
SK 4382 AH AZH		
SK 5282 AH AZH	53	276
SK 5382 AH AZH		
SK 6282 AH AZH	53	335
SK 6382 AH AZH		
SK 7282 AH AZH	53	357
SK 7382 AH AZH		
SK 8282 AH AZH	70	416
SK 8382 AH AZH		
SK 9282 AH AZH	84	480
SK 9382 AH AZH		
SK 10382.1 AZH	58	556
SK 11382.1 AZH	58	586

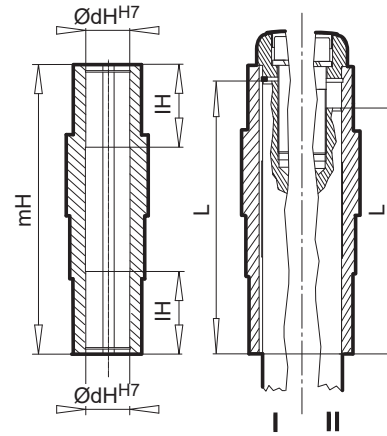
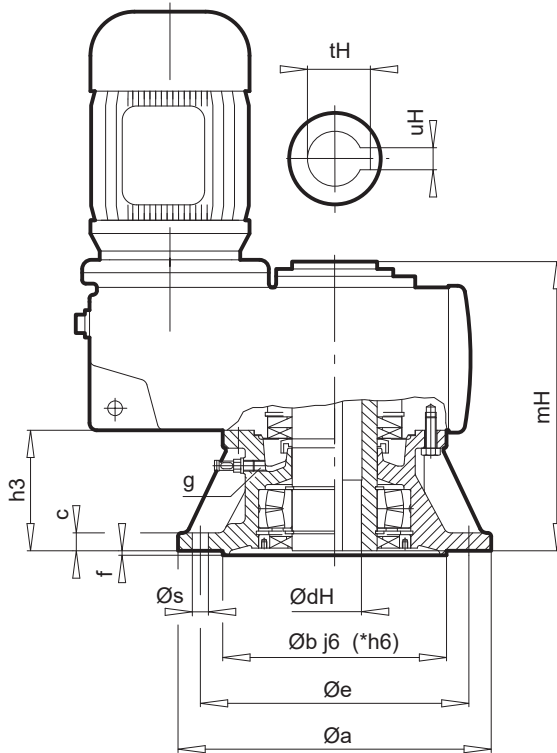
Type	Ø D	L
SK 1282 AH66 AZH66	80	25
SK 2282 AH66 AZH66	56	38
SK 3282 AH66 AZH66	104	35
SK 4282 AH66 AZH66	104	34
SK 5282 AH66 AZH66	154	38
SK 6282 AH66 AZH66	188	44
SK 7282 AH66 AZH66	215	35
SK 8282 AH66 AZH66	245	50

UNICASE™ Parallel shaft gear units

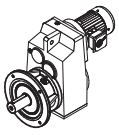


SK ... AFVL → A25

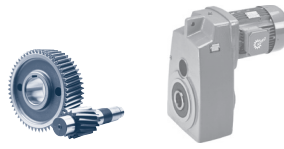
SK ... AF(B)VL



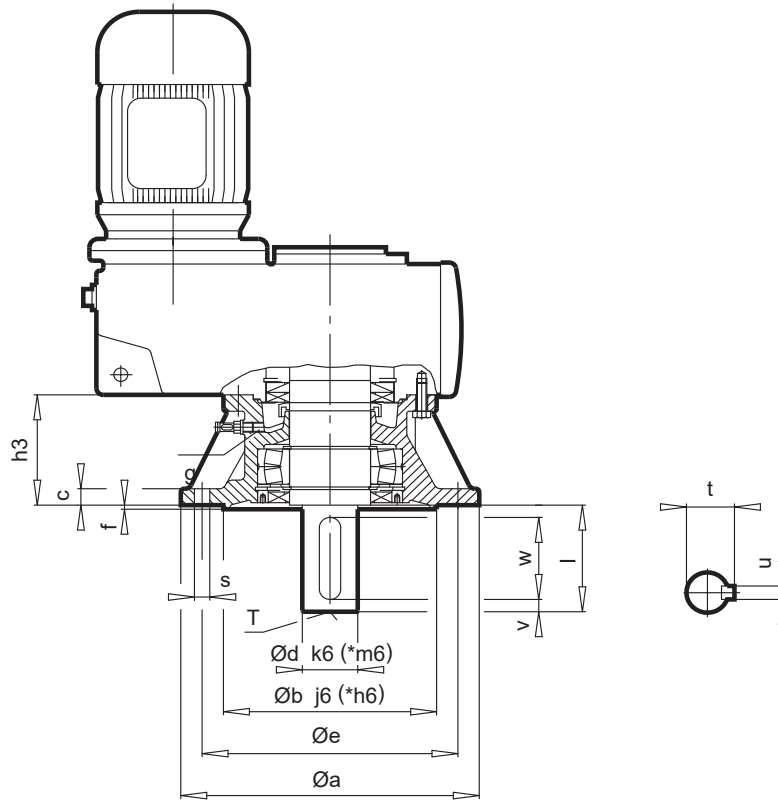
Type	a	b	c	e	f	h3	s	g	dH	uH	tH	mH	dH ^{H7}	IH	L I	L II
SK 1282 AF..	200	130	12	165	3,5	75	4 x 11	M12 x 1,5	30	8	33,3	180	30	40	173,5	158
SK 2282 AF.. SK 2382 AF..	250	180	16	215	4,0	86	4 x 14	M12 x 1,5	35	10	38,3	208	35	50	200,25	179
SK 3282 AF.. SK 3382 AF..	300	230	20	265	4,0	85	4 x 14	M12 x 1,5	40	12	43,3	246	40	58	236	212
SK 4282 AF.. SK 4382 AF..	300	230	20	265	4,0	113	4 x 14	M12 x 1,5	50	14	53,8	290	50	65	279,5	255
SK 5282 AF.. SK 5382 AF..	350	*250	20	300	5,0	135	4 x 18	M12 x 1,5	60	18	64,4	348	60	79	336	303
SK 6282 AF.. SK 6382 AF..	400	*300	22	350	5,0	166	4 x 18	M24 x 1,5	70	20	74,9	437	70	120	425	392
SK 7282 AF.. SK 7382 AF..	450	*350	24	400	5,0	184	8 x 18	M24 x 1,5	80	22	85,4	477	80	126	464	417
SK 8282 AF.. SK 8382 AF..	550	*450	28	500	5,0	210	8 x 18	M30 x 2,0	100	28	106,4	556	100	154	542	500
SK 9282 AF.. SK 9382 AF..	660	*550	32	600	6,0	262	8 x 22	M30 x 2,0	120	32	127,4	668	120	186	653	608



VFVL2
VFVL3

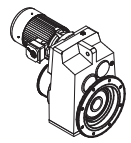
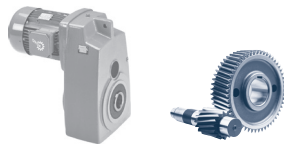


SK ... VFVL → A25

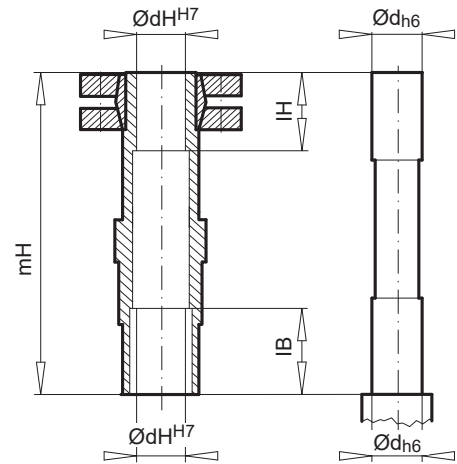
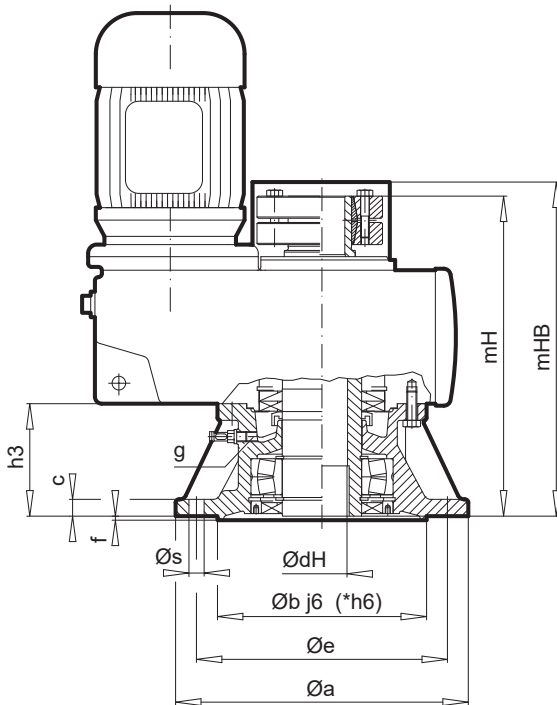


UNICASE™ Parallel shaft gear units

Type	a	b	c	e	f	h3	s	g	d	l	t	u	v	w	T
SK 1282 VF. SK 1382 VF..	200	130	12	165	3,5	75	4 x 11	M12 x 1,5	30	60	33,0	8	5	50	M10
SK 2282 VF. SK 2382 VF..	250	180	16	215	4,0	86	4 x 14	M12 x 1,5	35	70	38,0	10	5	60	M12
SK 3282 VF. SK 3382 VF..	300	230	20	265	4,0	85	4 x 14	M12 x 1,5	45	90	48,5	14	5	80	M16
SK 4282 VF. SK 4382 VF..	300	230	20	265	4,0	113	4 x 14	M12 x 1,5	*55	110	59,0	16	10	90	M20
SK 5282 VF. SK 5382 VF..	350	*250	20	300	5,0	135	4 x 18	M12 x 1,5	*65	130	69,0	18	15	100	M20
SK 6282 VF. SK 6382 VF..	400	*300	22	350	5,0	166	4 x 18	M24 x 1,5	*75	140	79,5	20	7,5	125	M20
SK 7282 VF. SK 7382 VF..	450	*350	24	400	5,0	184	8 x 18	M24 x 1,5	*90	170	95,0	25	15	140	M24
SK 8282 VF. SK 8382 VF..	550	*450	28	500	5,0	210	8 x 18	M30 x 2,0	*110	210	116,0	28	15	180	M24
SK 9282 VF. SK 9382 VF..	660	*550	32	600	6,0	262	8 x 22	M30 x 2,0	*140	250	148,0	36	25	200	M24
SK 10382.1VF..	660	*550	35	600	8,0	302	8 x 26	M30 x 2,0	*160	300	169,0	40	25	250	M24
SK 11382.1VF..	660	*550	35	600	8,0	302	8 x 26	M30 x 2,0	*180	300	190,0	45	25	250	M24

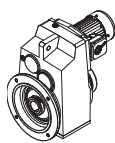


SK ... AFSVL → A25

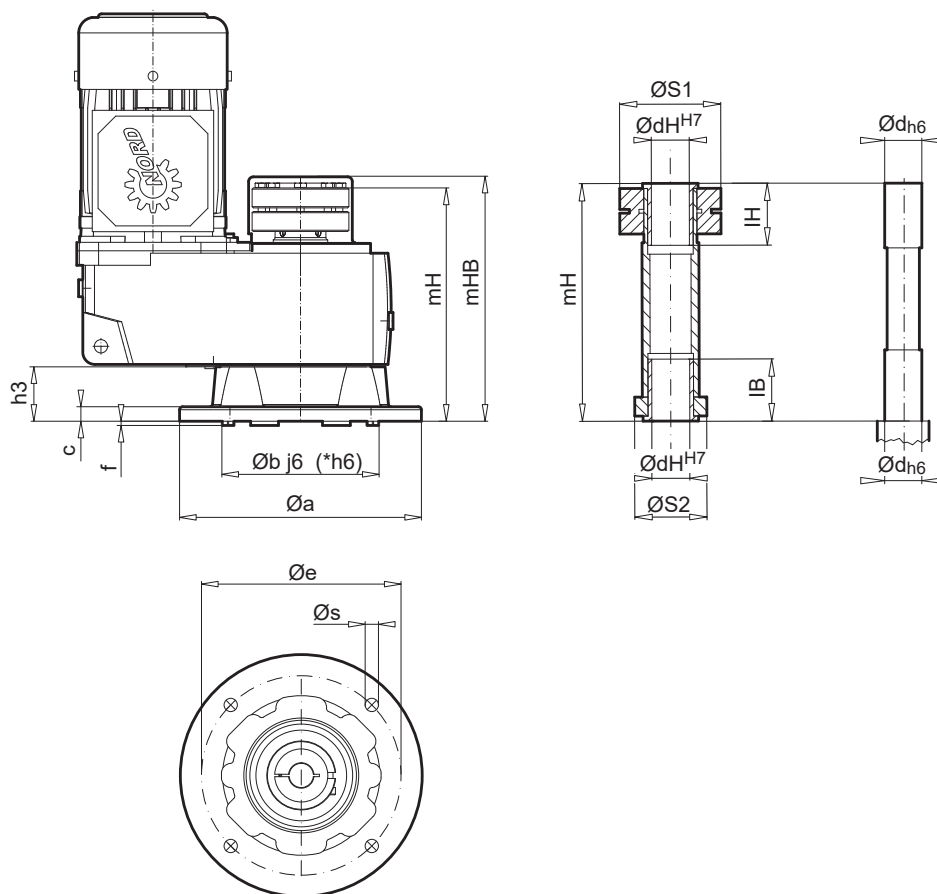


UNICASE™ Parallel shaft gear units

Type		a	b	c	e	f	h3	s	g	dH / d	mH	mHB	IB	IH
SK 1282	AFS..	200	130	12	165	3,5	75	4 x 11	M12 x 1,5	30	220	232	31	40
SK 2282	AFS..	250	180	16	215	4,0	86	4 x 14	M12 x 1,5	35	264	283	41	45
SK 2382	AFS..													
SK 3282	AFS..	300	230	20	265	4,0	85	4 x 14	M12 x 1,5	40	297	316	41	55
SK 3382	AFS..													
SK 4282	AFS..	300	230	20	265	4,0	113	4 x 14	M12 x 1,5	50	356	371	51	55
SK 4382	AFS..													
SK 5282	AFS..	350	*250	20	300	5,0	135	4 x 18	M12 x 1,5	60	413	435,5	60	70
SK 5382	AFS..													
SK 6282	AFS..	400	*300	22	350	5,0	166	4 x 18	M24 x 1,5	70	517	538	71	85
SK 6382	AFS..													
SK 7282	AFS..	450	*350	24	400	5,0	184	8 x 18	M24 x 1,5	80	562	580	81	90
SK 7382	AFS..													
SK 8282	AFS..	550	*450	28	500	5,0	210	8 x 18	M30 x 2,0	100	645	670	71	95
SK 8382	AFS..													
SK 9282	AFS..	660	*550	32	600	6,0	262	8 x 22	M30 x 2,0	125	773	794	82	110
SK 9382	AFS..													
SK 10382.1	AFS..	660	*550	35	600	8,0	302	8 x 26	M30 x 2,0	160	884	967	122	130
SK 11382.1	AFS..													

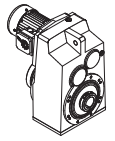
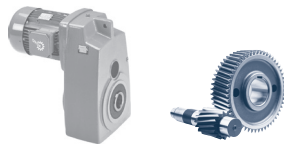


SK ... AFMH → A78

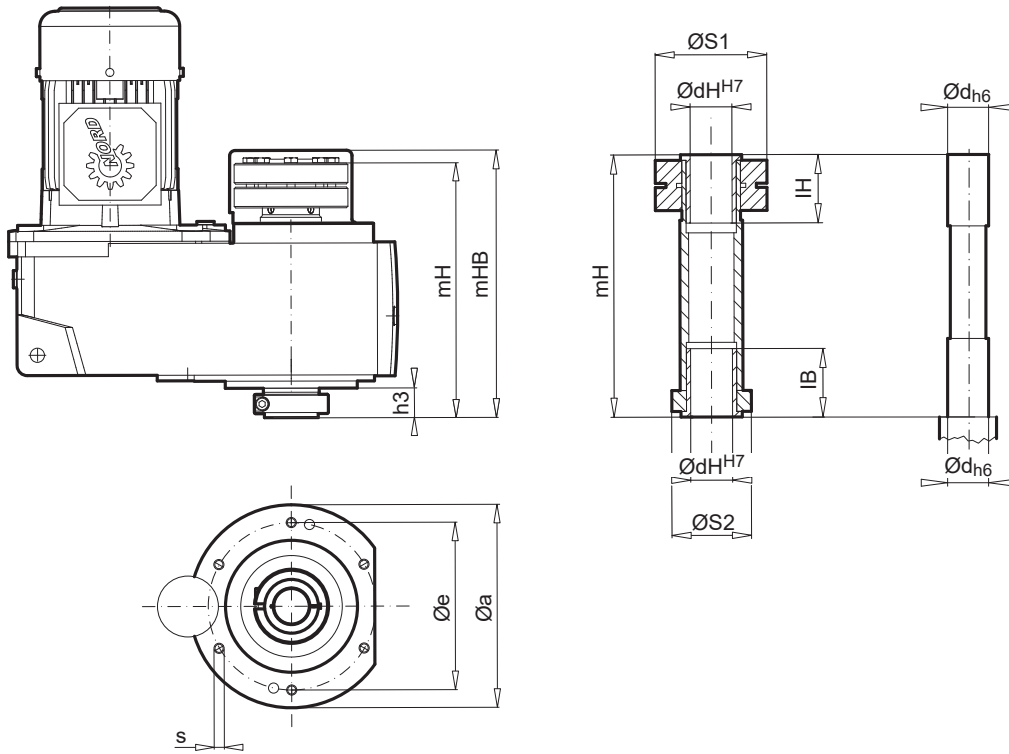


UNICASE™ Parallel shaft gear units

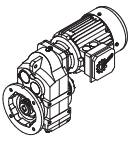
Type	$\varnothing a$	$\varnothing b$	c	$\varnothing e$	f	$h3$	$\varnothing s$	$\varnothing S1$	$\varnothing S2$	dH / d	mH	mHB	IB	IH
SK 1282 AFMH	200	130	12	165	3,5	45	4 x 11	80	57	20, 25, 30	188	202	49	49
SK 2282 AFMH	250	180	16	215	4,0	52	4 x 13,5	90	73	30, 25	227	244	44	44
SK 3282 AFMH	250	180	20	215	4,0	53	4 x 14	112	73	35, 40	257	284	49	49
SK 3382 AFMH	300	230	20	265	4,0	53	4 x 14	112	73	35, 40	257	284	49	49
SK 4282 AFMH	250 300	180 230	20	215 265	4,0	53	4 x 14	125	82	35, 40	293	311	49	49
SK 5282 AFMH	350	*250	20	300	5,0	57	4 x 18	156	96	45, 50	332	358	69	69
SK 6282 AFMH	400	*300	20	350	5,0	60	4 x 17,5	182	110	65, 70, 75	402	432	84	84
SK 6382 AFMH	450	*350	20	400	5,0	60	8 x 17,5	182	110	65, 70, 75	402	432	84	84
SK 7282 AFMH	450	*350	22	400	5,0	62	8 x 17,5	208	132	75, 80	446	497	86	86
SK 7382 AFMH	550	*450	22	500	5,0	62	8 x 18	208	132	75, 80	446	497	86	86
SK 8282 AFMH	550	*450	28	500	5,0	62	8 x 18	240	150	90, 95, 100	509	588	93	93
SK 8382 AFMH	550	*450	28	500	5,0	62	8 x 18	240	150	90, 95, 100	509	588	93	93
SK 9282 AFMH	660	*550	32	600	6,0	80	8 x 22	296	180	110, 120, 125	599	687	107	107
SK 9382 AFMH	660	*550	32	600	6,0	80	8 x 22	296	180	110, 120, 125	599	687	107	107



SK ... AZMH → A78



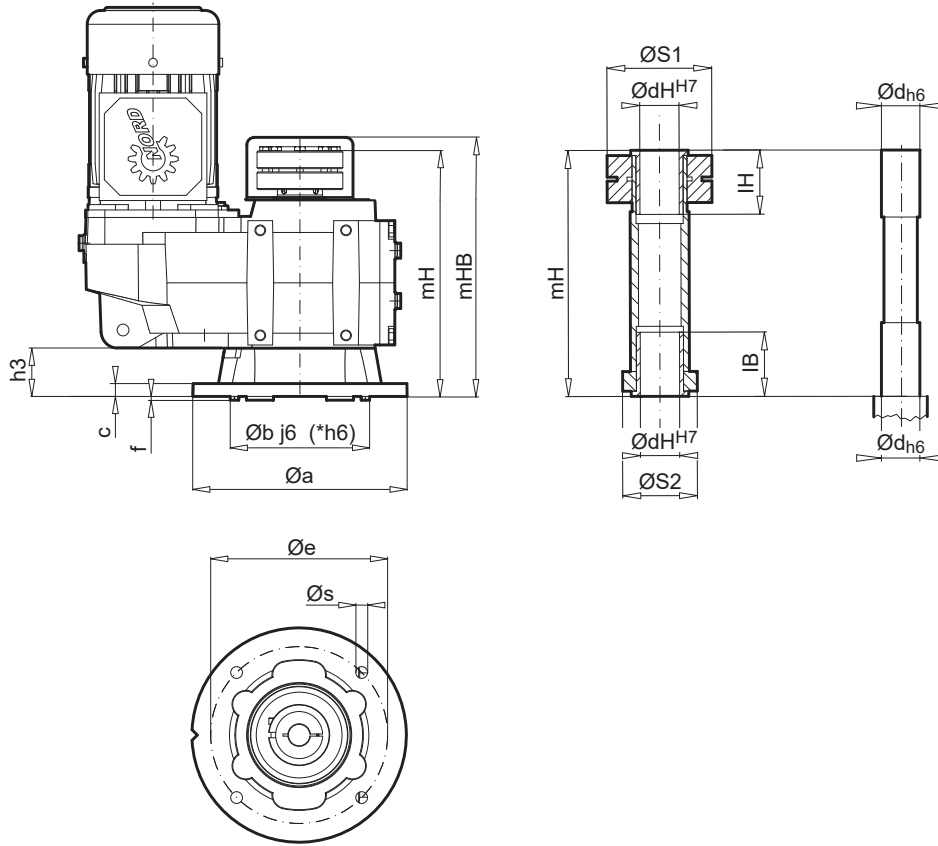
Type	Øa	Øe	h3	s	ØS1	ØS2	dH / d	mH	mHB	IB	IH
SK 1282 AZMH	140	115	23	M8	80	57	20, 25, 30	188	193	49	49
SK 2282 AZMH	160	130	28	M8	90	73	30, 25	227	232	44	44
SK 3282 AZMH	200	165	29	M10	112	73	35, 40	257	267	49	49
SK 3382 AZMH											
SK 4282 AZMH	230	194	30	M12	125	82	35, 40	293	299	49	49
SK 5282 AZMH	250	215	30,5	M12	156	96	45, 50	332	341	69	69
SK 6282 AZMH	300	265	31,5	M12	182	110	65, 70, 75	402	415	84	84
SK 6382 AZMH											
SK 7282 AZMH	350	300	35	M16	208	132	75, 80	446	481	86	86
SK 7382 AZMH											
SK 8282 AZMH	400	350	36	M16	240	150	90, 95, 100	509	588	93	93
SK 8382 AZMH											
SK 9282 AZMH	450	400	46	M20	296	180	110, 120, 125	599	691	107	107
SK 9382 AZMH											



GRIPMAXX AXFM

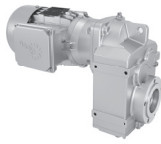


SK ... AXFMH → A78

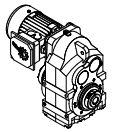


UNICASE™ Parallel
shaft gear units

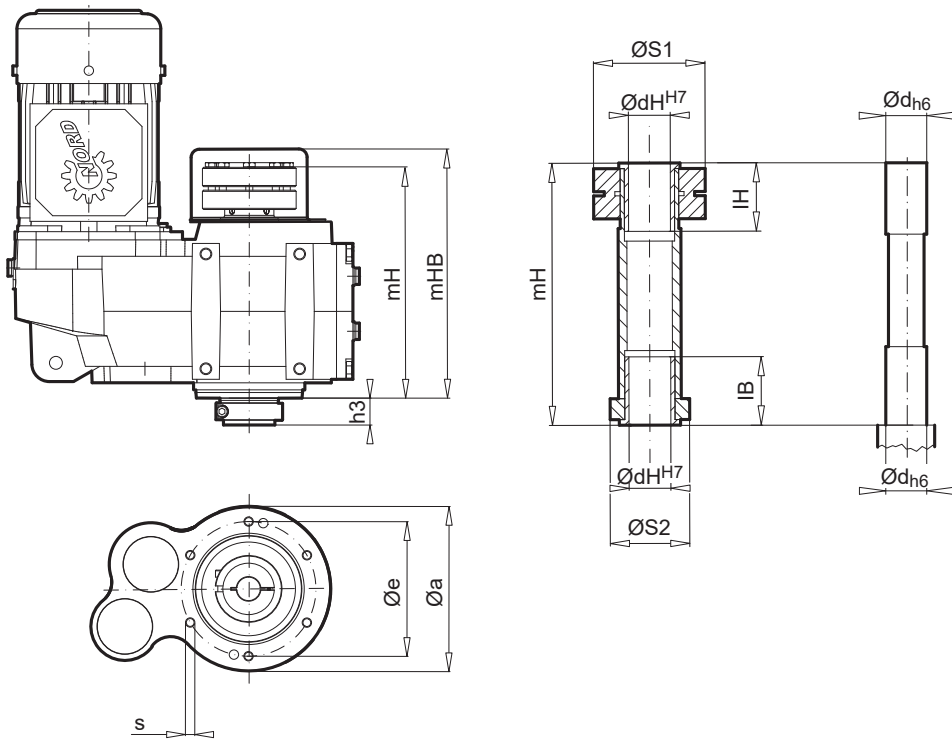
Type	Øa	Øb	c	Øe	f	h3	Øs	ØS1	ØS2	dH / d	mH	mHB	IB	IH
SK 1282.1 AXFMH	200	130	12	165	3,5	45	4 x 11	80	57	20, 25, 30	224	238	49	49
SK 1382.1 AXFMH														



**GRIPMAXX
AXZM**

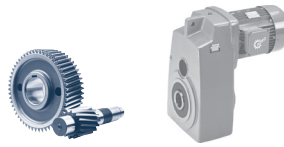


SK ... AXZMH → A78



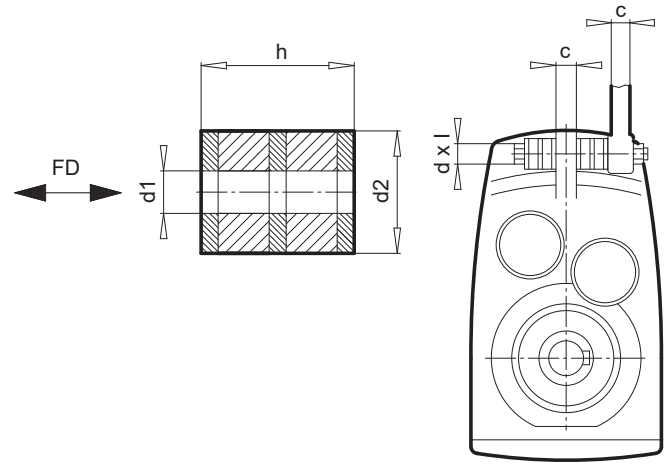
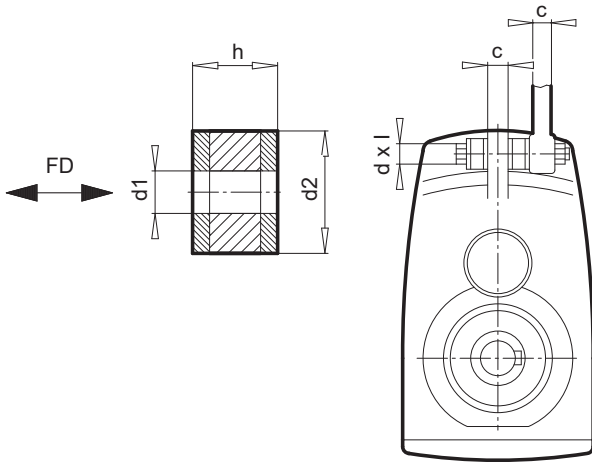
UNICASE™ Parallel
shaft gear units

Type	Øa	Øe	h3	s	ØS1	ØS2	dH / d	mH	mHB	IB	IH
SK 1282.1 AXFMH	141	115	23	M8 x 15	80	57	20, 25, 30	224	229	49	49
SK 1382.1 AXFMH											



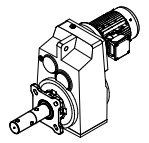
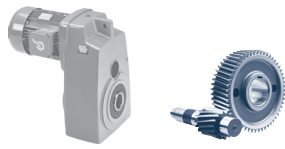
SKG → A26

SK ... VG → A26

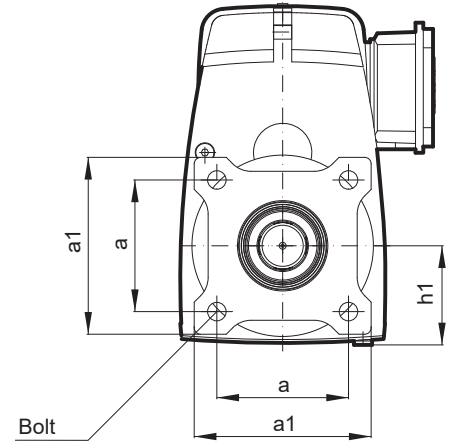
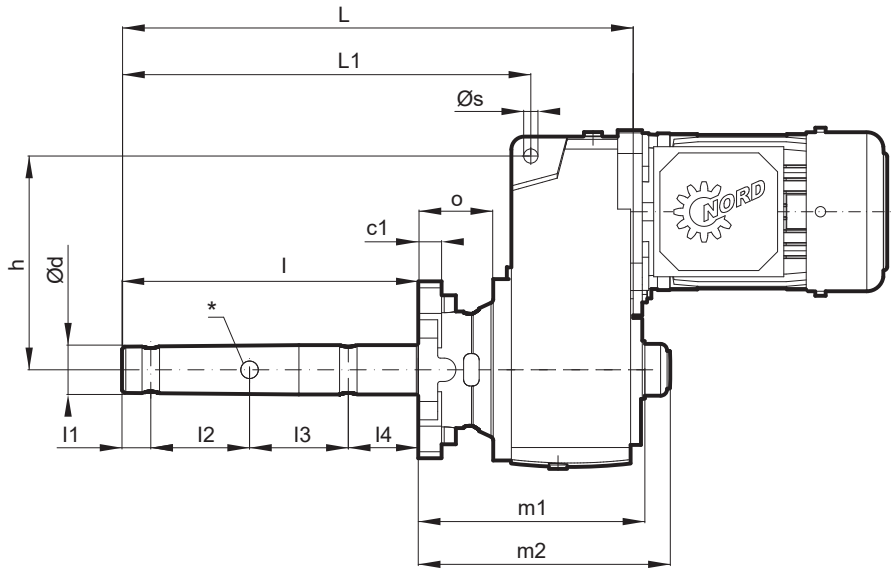


Type	d1	d2	h	c	d x l	FD [kN]	s _{FD} [mm]
SK 1282 ..G	11,0	30	15	14	M10 x 80	1,79	2,8
SK 2282 ..G	12,5	40	15	16	M12 x 90	2,67	1,8
SK 2382 ..G							
SK 3282 ..G	12,5	40	15	18	M12 x 90	4,16	2,9
SK 3382 ..G							
SK 4282 ..G	21,0	53	30	22	M20 x 150	7,39	10,9
SK 4382 ..G							
SK 5282 ..G	21,0	60	30	28	M20 x 150	9,49	9,4
SK 5382 ..G							
SK 6282 ..G	25,0	80	40	35	M24 x 190	16,81	9,2
SK 6382 ..G							
SK 7282 ..G	25,0	80	40	40	M24 x 200	20,80	11,4
SK 7382 ..G							
SK 8282 ..G	31,0	100	50	50	M30 x 260	28,39	16,3
SK 8382 ..G							
SK 9282 ..G	31,0	100	50	55	M30 x 260	43,49	24,9
SK 9382 ..G							

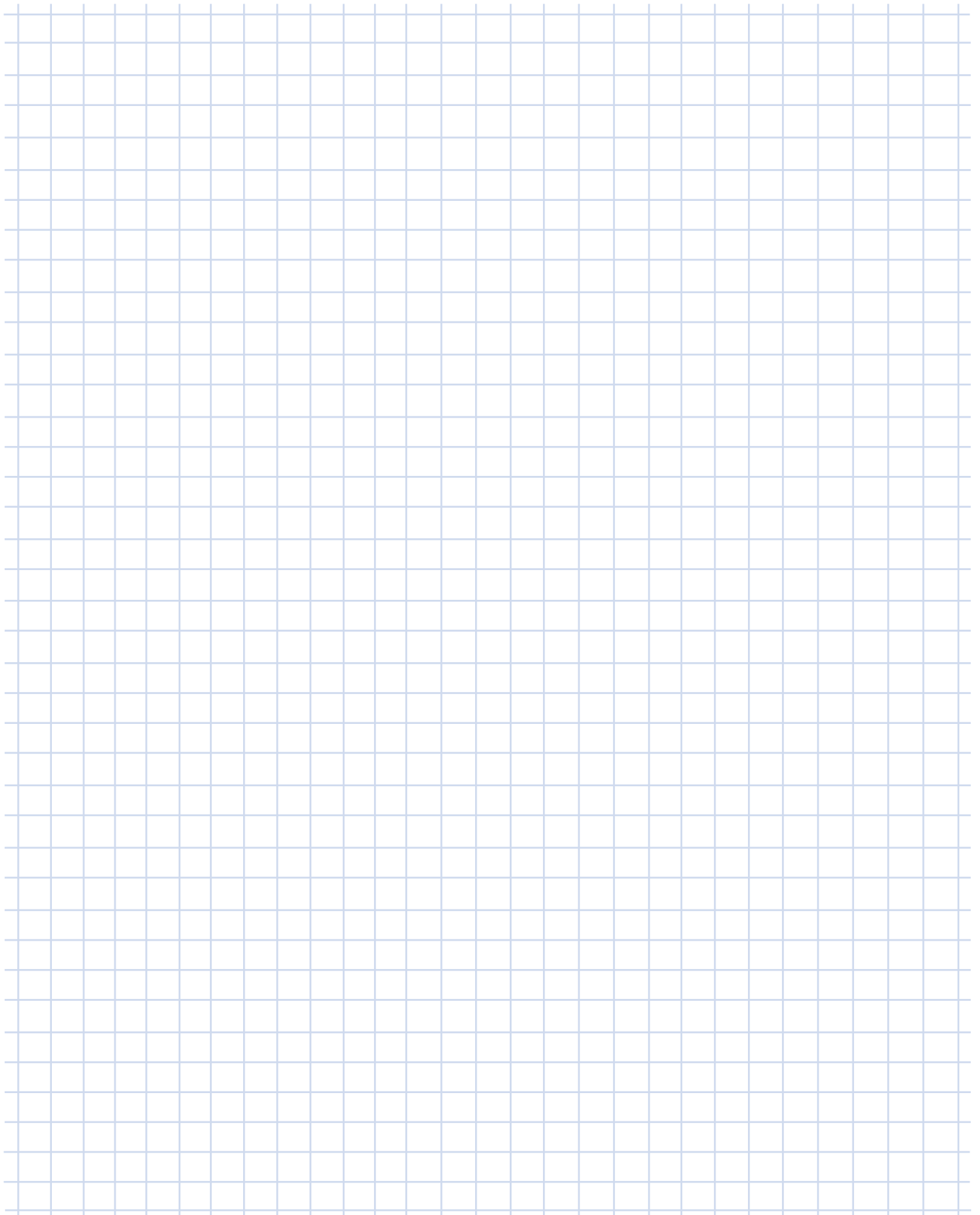
Type	d1	d2	h	c	d x l	FD [kN]	s _{FD} [mm]
SK 7282 ..VG	25,0	85	60	40	M24 x 240	20,80	12,2
SK 7382 ..VG							
SK 8282 ..VG	31,0	110	90	50	M30 x 340	28,39	19,3
SK 8382 ..VG							
SK 9282 ..VG	31,0	140	110	55	M30 x 380	43,49	21,2
SK 9382 ..VG							
SK 10382.1 ..VG	31,0	140	110	80	M30 x 430	56,36	27,4
SK 11382.1 ..VG	49,0	180	150	90	M48 x 550	80,89	38,5



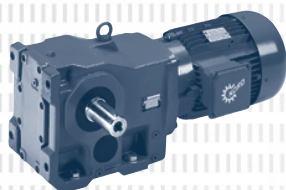
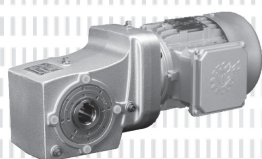
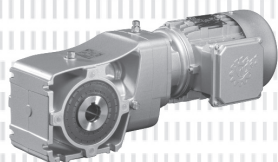
SK ... SCP → A70



Type	a	a1	Bolt	c1	Ød *	h	h1	l	l1	l2	l3	l4	L	L1	m1	m2	o	Øs
SK 1282 SCP SK 1382 SCP	101,6	136,5	1/2"	18	38,1 3 x Ø17/32	165	76,5	228,6	22,2	76,2	76,2	54	394 452	315	174,8	194,5	56,8 56,9	11
SK 2282 SCP SK 2382 SCP	101,6	136,5	1/2"	18	38,1 3 x Ø17/32	211	88,5	228,6	22,2	76,2	76,2	54	412	319	191,8	213,3	57,8	14
SK 3282 SCP SK 3382 SCP	101,6	136,5	1/2"	18	38,1 3 x Ø17/32	250	105	228,6	22,2	76,2	76,2	54	436	324	230,8	250,9	62,8	14
SK 4282 SCP SK 4382 SCP	130,2	200	5/8"	18	50,8 3 x Ø21/32	281	121	228,6	22,2	76,2	76,2	54	477	337	256,4	279,5	68,2	22
SK 5282 SCP SK 5382 SCP	130,2	234,9	5/8"	19	50,8 3 x Ø21/32	341	144	228,6	22,2	76,2	76,2	54	500 569	350	299,2	326	76,7	22
SK 6282 SCP SK 6382 SCP	152,4	235	3/4"	19	76,2 3 x Ø25/32	357	167	250,8	25,4	76,2	76,2	73	612 588	397	365,8	392,6	84,2	26



NORDBLOC.1 & UNICASE™ Helical bevel gear units



ENQUIRY FORM	E - 2
---------------------------	-------

AVAILABLE VERSIONS	E - 3
---------------------------------	-------

GEAR UNIT MOTOR DATA

Power and speed tables	E - 4
------------------------------	-------

Power and speed tables, W- and IEC, AI adapters	E - 58
--	--------

DIMENSIONED DRAWINGS*

Bevel geared motors	E - 76
---------------------------	--------

Adapter W, IEC, AI, NEMA	E - 136
--------------------------------	---------

OPTIONS*

VZ	Solid shaft with B14 flange	E - 154
----	-----------------------------------	---------

VXZ / AXZ	Foot-mounted housing with B14 flange	E - 155
-----------	--	---------

VXF / AXF	Foot-mounted housing with B5 flange	E - 156
-----------	---	---------

AZVSH	Hollow shaft, reinforced shrink disk with cover	E - 157
-------	---	---------

AXZH	Cover as a touch guard	E - 158
------	------------------------------	---------

AZH / AXH	Cover as a touch guard	E - 158
-----------	------------------------------	---------

VL2 / VL3	Agitator version	E - 159
-----------	------------------------	---------

AZ ..	Hollow shaft version - threaded holes	E - 162
-------	---	---------

SCP	Screw Conveyor Package	E - 163
-----	------------------------------	---------

GRIPMAXX™	Fastening system GRIPMAXX™	E - 164
-----------	----------------------------------	---------

* All specifications in mm unless otherwise indicated.

Enquiry form



This general enquiry form can be found in the attachment as well as on the NORD homepage under www.nord.com - Heading DOCUMENTATION / FORMS.



General Enquiry Form



Company: _____
 Customer number: _____
 Town / Zip Code/
 Country: _____
 Contact: _____
 E-Mail: _____
 Phone: _____

Please send the request to your local NORD contact.

See homepage:
www.nord.com
 (NORD group → Sales)



Reference: _____
 Date: _____

Geared motor	Adapter for IEC-/Nema-motor/Servo*	Stand alone motor (M7000)	
W – type (free input shaft): External forces: Axial F_{A1} : _____ [N] Radial F_{R1} : _____ [N]; Lever from shaft shoulder: _____ [mm]			
Gear type acc. to catalogue: _____		Quantity: _____	

Gearbox-specific parameter	Frequency inverter operation	
Output speed n_2 at line frequency: _____ [rpm]	Cabinet mounted	Motor mounted
Output torque M_2 : _____ [Nm]	Frequency range from: _____ [Hz] to _____ [Hz]	
Ratio i: _____	Motor speed n_1 : _____ [rpm] to _____ [rpm]	
Mounting position (M1 – M6): _____	Constant torque within frequency range: _____ [Nm]	
Flange: B14 B5 Ø _____ [mm]	Characteristic: 50 Hz 70 Hz 87 Hz 100 Hz	
Hollow shaft Solid shaft Ø _____ x _____ [mm]	Encoder*: Incremental Absolute	
Operating factor f_B : _____	Regenerative operation: Generated power _____ [kW]	
Minimum bearing life L10h: _____ [h]	Ambient conditions	
External forces at output: Axial F_{A2} : _____ [N]	Ambient temperature: min. _____ to max. _____ [°C]	
Radial F_{R2} : _____ [N] Lever from shaft shoulder: _____ [mm]	Max. rel. humidity RH: _____ [%]	
Bearing: normal VL VL2 VL3 AL	Max. installation height (if > 1.000 m): _____ [m]	
Helical-bevel and Worm: A/B side for flange/shaft*	Indoor Outdoor Water contact* Direct sun light	
Oil: Mineral Synthetic Food grade Bio-degradable	Other (dust/dirt/aggressive media; mechanical/chemical)*	
Special oil: _____	ATEX	
Motor-specific parameter	ATEX gas	
Rated motor power P_1 : _____ [kW]	Zone 1 Ex II 2G	Zone 21 Ex II 2D
Motor speed n_1 : _____ [rpm]	Zone 2 Ex II 3G	Zone 22 Ex II 3D
PTC thermistors (TF) Bimetallic switches (TW)	Ex eb II T3	Non-conductive dust
Line voltage: _____ [V] Line frequency: _____ [Hz]	Ex de IIC T4	Conductive dust (only Zone 21)
Efficiency class: IE1 IE2 IE3 IE4	Paint / Surface treatment	
Protection class: IP55 (Standard) IP _____	None 1.0 2.0 (Standard) 3.0 3. _____	
Operating mode: S1 (Standard) S _____*		
Cycle rate: _____ [c/h]	Colour (RAL): Blue (5010) Grey (7031)	
Cycle duty: _____ [%] Backstop (RLS)	Special colour (RAL-No. / Colour): _____	
Ventilation: Standard External (F) None (OL)	Comments	
Terminal box position: _____ Cable entries: _____		
Brake-specific parameter		
Brake torque M_B : _____ [Nm] Manual release (HL)		
Brake-/Coil voltage: _____ [V]		
Parking/emergency brake Working brake		
ATEX documentation, O&M manuals (language code according to ISO 639-1):		
DE BG ZH CS DA ES FI FR EN EL HU IT NL NO PL PT RU SV SK LV RO		

*Please add details in comments - Getriebbau NORD GmbH & Co. KG | Getriebbau-Nord-Str. 1 | D-22941 Bargteheide - EN-0919

NORDBLOC.1 & UNICASE Helical-bevel gear units

Examples - available versions

with hollow shaft

SK 920072.1 A - 90 SP/4

Foot-mounted housing, hollow shaft, B14 flange at A and B, two-stage



SK 92372.1 AF - 100 AP/4

Foot-mounted housing, hollow shaft, B5 flange at A, two-stage



SK 9032.1 AXF - 100 AP/4

Foot-mounted housing, hollow shaft, B5 flange at A, three-stage



SK 9043.1 AXZ - 100 AP/4

Foot-mounted housing, hollow shaft, B14 flange at A and B, four-stage



SK 9072.1/32 AZSH - 100 AP/4

Hollow shaft, B14 flange at A and B, shrink disk at B, five-stage



SK 9072.1 AZD - 100 AP/4

Hollow shaft, torque support at A, three-stage



SK 9096.1/63 AZK - 100 AP/4

Hollow shaft, torque bracket, six-stage



SK 9052.1 AFM - 100 AP/4

Hollow shaft, B5 flange at B, GRIPMAXX shrink disk at A, three-stage



with solid shaft

SK 930072.1 V - 90 SP/4

Solid shaft at A, B14 flange at A and B, two-stage



SK 93072.1 VF - 90 SP/4

Solid shaft at A, B5 flange at A, two-stage



SK 93372.1 VXF - 100 AP/4

Foot-mounted housing, Solid shaft at A, B5 flange, two-stage



SK 9012.1 LXZ - 100 AP/4

Foot-mounted housing, Solid shaft at A and B, B14 flange at A and B, three-stage



SK 9032.1 VZ - 100 AP/4

Solid shaft at A, B14 flange at A and B, three-stage



SK 9052.1 VFVL2 - 100 AP/4

Solid shaft at A, B5 flange with reinforced output shaft bearing VL2, three-stage

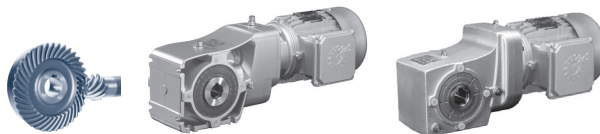


SK 9052.1 SCP - 100 AP/4

Solid shaft at A, Screw Conveyor Package, three-stage

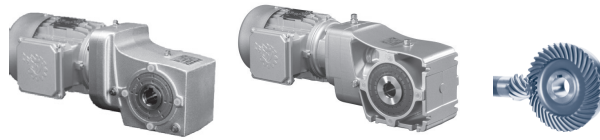


0,12 kW
0,18 kW



P_1 [kW]	n_2 [r/min]	M_2 [Nm]	f_B	i_{total}	F_R [kN]	F_A [kN]	$F_{R VL}$ [kN]	$F_{A VL}$ [kN]	Type	kg	mm E76 E88
0,12	111	10,3	4,8	12,33	3,0	5,6			SK 920072.1 - 63 SP/4 SK 930072.1 - 63 SP/4	7,2	E76 E88
	101	11,3	4,4	13,53	3,0	5,6					
	86	13,4	3,7	16,00	3,0	5,6					
	74	15,5	3,2	18,52	3,0	5,6					
	67	17,2	2,6	20,53	3,0	5,6					
	56	20,3	2,2	24,29	3,0	5,6					
	50	23,0	1,7	27,52	3,0	5,6					
	43	26,4	1,4	31,57	3,0	5,6					
	37	30,7	1,2	36,67	3,0	5,6					
	33	34,8	1,1	41,56	3,0	5,6					
29	39,9	0,9	47,67	3,0	5,6						
0,12	86	13,4	4,9	16,00	5,0	9,0			SK 92072.1 - 63 SP/4 SK 93072.1 - 63 SP/4	9,7	E78 E90
	74	15,5	3,9	18,52	5,0	9,0					
	66	17,4	4,7	20,80	5,0	9,0					
	57	20,1	3,9	24,07	5,0	9,0					
	50	22,7	2,9	27,16	5,0	9,0					
	43	26,4	2,5	31,57	5,0	9,0					
	38	29,8	2,2	35,62	5,0	9,0					
	33	34,3	1,7	40,98	5,0	9,0					
	29	39,9	1,2	47,67	5,0	9,0					
	25	45,0	1,2	53,78	5,0	9,0					
22	51,8	1,1	61,88	5,0	9,0						
0,12	49	23,6	4,6	28,24	4,9	11,6			SK 92172.1 - 63 SP/4 SK 93172.1 - 63 SP/4	11,4	E80 E92
	44	25,9	4,2	31,00	4,9	11,6					
	39	29,5	3,7	35,31	4,9	11,6					
	37	31,1	2,9	37,14	4,9	11,6					
	35	32,4	2,9	38,75	4,9	11,6					
	32	35,4	2,9	42,30	4,9	11,6					
	30	38,8	2,4	46,43	4,9	11,6					
	24	46,8	1,3	56,00	4,9	11,6					
	21	53,3	1,3	63,78	4,9	11,6					
	20	58,6	1,2	70,00	4,9	11,6					
0,12	29	39,0	4,7	46,64	6,6	15,0			SK 92372.1 - 63 SP/4 SK 93372.1 - 63 SP/4	16,3	E82 E94
	28	41,4	3,4	49,46	6,6	15,0					
	25	46,4	3,4	55,49	6,6	15,0					
0,18	133	12,9	3,9	10,43	3,0	5,6			SK 920072.1 - 63 LP/4 SK 930072.1 - 63 LP/4	8,1	E76 E88
	112	15,3	3,3	12,33	3,0	5,6					
	102	16,8	3,0	13,53	3,0	5,6					
	87	19,9	2,5	16,00	3,0	5,6					
	75	23,0	2,2	18,52	3,0	5,6					
	67	25,5	1,8	20,53	3,0	5,6					
	57	30,1	1,5	24,29	3,0	5,6					
	50	34,2	1,2	27,52	3,0	5,6					
	44	39,2	1,0	31,57	3,0	5,6					
	38	45,5	0,8	36,67	3,0	5,6					
0,18	125	13,8	4,7	11,11	5,0	9,0			SK 92072.1 - 63 LP/4 SK 93072.1 - 63 LP/4	10,6	E78 E90
	108	15,9	3,7	12,78	5,0	9,0					
	87	19,9	3,3	16,00	5,0	9,0					
	75	23,0	2,6	18,52	5,0	9,0					
	67	25,8	3,1	20,80	5,0	9,0					
	58	29,9	2,6	24,07	5,0	9,0					

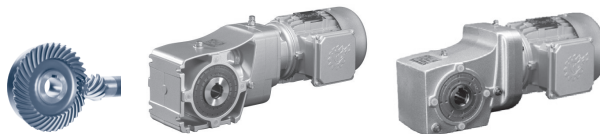
NORDBLOC.1 Helical
bevel gear units



P_1 [kW]	n_2 [r/min]	M_2 [Nm]	f_B	i_{total}	F_R [kN]	F_A [kN]	$F_{R VL}$ [kN]	$F_{A VL}$ [kN]	Type	kg	mm E78 E90
0,18	51	33,7	1,9	27,16	5,0	9,0			SK 92072.1 - 63 LP/4	10,6	E78 E90
	44	39,2	1,7	31,57	5,0	9,0		SK 93072.1 - 63 LP/4			
	39	44,2	1,5	35,62	5,0	9,0					
	34	50,9	1,2	40,98	5,0	9,0					
	91	18,9	4,9	15,23	4,9	11,6			SK 92172.1 - 63 LP/4	12,3	E80 E92
	67	25,6	4,1	20,67	4,9	11,6			SK 93172.1 - 63 LP/4		
	56	30,8	3,9	24,80	4,9	11,6					
	49	35,1	3,1	28,24	4,9	11,6					
	45	38,5	2,8	31,00	4,9	11,6					
	39	43,8	2,5	35,31	4,9	11,6					
	37	46,1	2,0	37,14	4,9	11,6					
	36	48,1	1,9	38,75	4,9	11,6					
	33	52,5	2,0	42,30	4,9	11,6					
	30	57,6	1,6	46,43	4,9	11,6					
	25	69,5	0,8	56,00	4,8	11,6					
	22	79,2	0,8	63,78	4,8	11,6					
	20	86,9	0,8	70,00	4,8	11,6					
	33	51,5	3,6	41,46	6,6	15,0			SK 92372.1 - 63 LP/4	17,2	E82 E94
	30	57,9	3,2	46,64	6,6	15,0			SK 93372.1 - 63 LP/4		
	28	61,4	2,3	49,46	6,6	15,0					
25	68,9	2,3	55,49	6,6	15,0						
0,25	274	8,7	4,3	5,17	3,0	5,6			SK 920072.1 - 71 SP/4	9,5	E76 E88
	251	9,5	4,7	5,64	3,0	5,6			SK 930072.1 - 71 SP/4		
	221	10,8	4,6	6,40	3,0	5,6					
	212	11,2	4,4	6,67	3,0	5,6					
	187	12,8	3,9	7,58	3,0	5,6					
	158	15,1	3,3	8,97	3,0	5,6					
	136	17,6	2,8	10,43	3,0	5,6					
	115	20,8	2,4	12,33	3,0	5,6					
	105	22,8	2,2	13,53	3,0	5,6					
	88	27,0	1,9	16,00	3,0	5,6					
	76	31,2	1,6	18,52	3,0	5,6					
	69	34,6	1,3	20,53	3,0	5,6					
	58	41,0	1,1	24,29	3,0	5,6					
	51	46,4	0,9	27,52	3,0	5,6					
	144	16,6	4,6	9,85	5,0	9,0			SK 92072.1 - 71 SP/4	12	E78 E90
	127	18,7	3,5	11,11	5,0	9,0			SK 93072.1 - 71 SP/4		
	111	21,6	2,7	12,78	5,0	9,0					
	88	27,0	2,4	16,00	5,0	9,0					
	76	31,2	1,9	18,52	5,0	9,0					
	68	35,1	2,3	20,80	5,0	9,0					
59	40,6	1,9	24,07	5,0	9,0						
52	45,8	1,4	27,16	5,0	9,0						
45	53,3	1,2	31,57	5,0	9,0						
40	60,1	1,1	35,62	5,0	9,0						
35	69,1	0,9	40,98	5,0	9,0						
102	23,4	4,6	13,87	4,9	11,6			SK 92172.1 - 71 SP/4	13,7	E80 E92	
93	25,7	3,6	15,23	4,9	11,6			SK 93172.1 - 71 SP/4			
68	34,9	3,0	20,67	4,9	11,6						
57	41,8	2,9	24,80	4,9	11,6						
50	47,7	2,3	28,24	4,9	11,6						

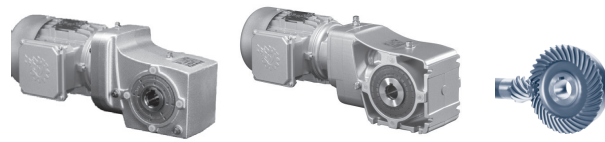
NORDBLOC.1 Helical bevel gear units

0,25 kW
0,37 kW



P_1 [kW]	n_2 [r/min]	M_2 [Nm]	f_B	i_{total}	F_R [kN]	F_A [kN]	F_{RVL} [kN]	F_{AVL} [kN]	Type	kg	mm E80 E92	
0,25	46	52,3	2,1	31,00	4,9	11,6			SK 92172.1 - 71 SP/4 SK 93172.1 - 71 SP/4	13,7	E80 E92	
	40	59,6	1,8	35,31	4,9	11,6						
	38	62,7	1,4	37,14	4,9	11,6						
	37	65,4	1,4	38,75	4,8	11,6						
	33	71,4	1,4	42,30	4,8	11,6						
	30	78,3	1,2	46,43	4,8	11,6						
	43	55,3	3,6	32,80	6,6	15,0			SK 92372.1 - 71 SP/4 SK 93372.1 - 71 SP/4	18,6	E82 E94	
	38	62,1	3,0	36,80	6,6	15,0						
	34	69,9	2,6	41,46	6,6	15,0						
	30	78,7	2,3	46,64	6,6	15,0						
	29	83,4	1,7	49,46	6,6	15,0						
	25	93,6	1,7	55,49	6,5	15,0						
	33	73	4,2	43,28	8,4	20,0			SK 92672.1 - 71 SP/4 SK 93672.1 - 71 SP/4	29,5	E84 E96	
	29	81,9	3,9	48,56	8,4	20,0						
	24	101	4,3	59,68	10,4	25,0			SK 92772.1 - 71 SP/4 SK 93772.1 - 71 SP/4	40,9	E86 E98	
	21	113	4,3	66,96	10,4	25,0						
	0,37	418	8,4	4,7	3,36	3,0	5,6			SK 920072.1 - 71 LP/4 SK 930072.1 - 71 LP/4	10,6	E76 E88
		354	10,0	4,0	3,97	3,0	5,6					
312		11,3	3,5	4,50	3,0	5,6						
272		13,0	2,9	5,17	3,0	5,6						
249		14,2	3,2	5,64	3,0	5,6						
219		16,1	3,1	6,40	3,0	5,6						
211		16,8	3,0	6,67	3,0	5,6						
185		19,1	2,6	7,58	3,0	5,6						
157		22,6	2,2	8,97	3,0	5,6						
135		26,2	1,9	10,43	3,0	5,6						
114		31,0	1,6	12,33	3,0	5,6						
104		34,0	1,5	13,53	3,0	5,6						
88		40,2	1,2	16,00	3,0	5,6						
76		46,6	1,1	18,52	3,0	5,6						
241		14,7	4,9	5,83	4,8	9,0			SK 92072.1 - 71 LP/4 SK 93072.1 - 71 LP/4	13,1	E78 E90	
211		16,8	4,1	6,67	5,0	9,0						
185		19,1	3,8	7,58	5,0	9,0						
162		21,8	3,4	8,67	5,0	9,0						
143		24,8	3,1	9,85	5,0	9,0						
126		27,9	2,3	11,11	5,0	9,0						
110		32,1	1,8	12,78	5,0	9,0						
88		40,2	1,6	16,00	5,0	9,0						
76		46,6	1,3	18,52	5,0	9,0						
68		52,3	1,5	20,80	5,0	9,0						
58		60,5	1,3	24,07	5,0	9,0						
52		68,3	1,0	27,16	5,0	9,0						
156		22,7	4,1	9,03	4,9	11,6			SK 92172.1 - 71 LP/4 SK 93172.1 - 71 LP/4	14,8	E80 E92	
148		23,9	4,5	9,49	4,9	11,6						
138		25,5	3,7	10,15	4,9	11,6						
130		27,2	4,1	10,83	4,9	11,6						
115		30,6	3,7	12,18	4,9	11,6						
114		31,0	3,5	12,34	4,9	11,6						
101		34,9	3,1	13,87	4,9	11,6						
92		38,3	2,4	15,23	4,9	11,6						

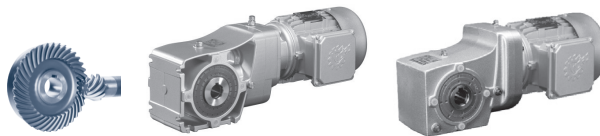
NORDBLOC.1 Helical
bevel gear units



P_1 [kW]	n_2 [r/min]	M_2 [Nm]	f_B	i_{total}	F_R [kN]	F_A [kN]	$F_{R VL}$ [kN]	$F_{A VL}$ [kN]	Type	kg	mm E
0,37	68	52,0	2,0	20,67	4,9	11,6			SK 92172.1 - 71 LP/4 SK 93172.1 - 71 LP/4	14,8	E80 E92
	57	62,4	1,9	24,80	4,9	11,6					
	50	71,0	1,5	28,24	4,8	11,6					
	45	78,0	1,4	31,00	4,8	11,6					
	40	88,8	1,2	35,31	4,8	11,6					
	36	97,4	1,0	38,75	4,7	11,6					
	89	39,8	4,6	15,84	6,6	15,0			SK 92372.1 - 71 LP/4 SK 93372.1 - 71 LP/4	19,7	E82 E94
	43	82,5	2,4	32,80	6,6	15,0					
	38	92,5	2,0	36,80	6,5	15,0					
	34	104	1,8	41,46	6,5	15,0					
	30	117	1,6	46,64	6,5	15,0					
	28	124	1,1	49,46	6,5	15,0					
	25	140	1,1	55,49	6,4	15,0					
	32	109	2,8	43,28	8,4	20,0			SK 92672.1 - 71 LP/4 SK 93672.1 - 71 LP/4	30,6	E84 E96
	29	122	2,6	48,56	8,4	20,0					
	24	150	2,9	59,68	10,4	25,0			SK 92772.1 - 71 LP/4 SK 93772.1 - 71 LP/4	42	E86 E98
	21	168	2,9	66,96	10,3	25,0					
	0,55	469	11,2	3,6	3,03	3,0	5,6			SK 920072.1 - 80 SP/4 SK 930072.1 - 80 SP/4	13,1
423		12,4	3,2	3,36	3,0	5,6					
357		14,7	2,7	3,97	3,0	5,6					
315		16,7	2,4	4,50	3,0	5,6					
275		19,1	2,0	5,17	3,0	5,6					
252		20,8	2,2	5,64	3,0	5,6					
222		23,7	2,1	6,40	3,0	5,6					
213		24,7	2,0	6,67	3,0	5,6					
187		28,0	1,8	7,58	3,0	5,6					
158		33,2	1,5	8,97	3,0	5,6					
136		38,6	1,3	10,43	3,0	5,6					
115		45,6	1,1	12,33	3,0	5,6					
105		50,0	1,0	13,53	3,0	5,6					
89		59,2	0,8	16,00	3,0	5,6					
397		13,2	5,0	3,58	4,1	7,6			SK 92072.1 - 80 SP/4 SK 93072.1 - 80 SP/4	15,6	E78 E90
357		14,7	4,6	3,97	4,2	7,8					
305		17,2	3,8	4,65	4,4	8,2					
275		19,1	3,5	5,17	4,5	8,5					
244		21,6	3,3	5,83	4,7	8,8					
213		24,7	2,8	6,67	4,9	9,0					
187		28,0	2,6	7,58	5,0	9,0					
164		32,1	2,3	8,67	5,0	9,0					
144		36,4	2,1	9,85	5,0	9,0					
128		41,1	1,6	11,11	5,0	9,0					
111		47,3	1,2	12,78	5,0	9,0					
89		59,2	1,1	16,00	5,0	9,0					
68		76,9	1,1	20,80	5,0	9,0					
246		21,3	4,3	5,77	4,9	10,6			SK 92172.1 - 80 SP/4 SK 93172.1 - 80 SP/4	17,3	E80 E92
218		24,1	3,9	6,53	4,9	11,0					
204		25,7	4,3	6,94	4,9	11,2					
181		29,0	3,8	7,83	4,9	11,6					
170		30,8	3,7	8,33	4,9	11,6					
157		33,4	2,8	9,03	4,9	11,6					

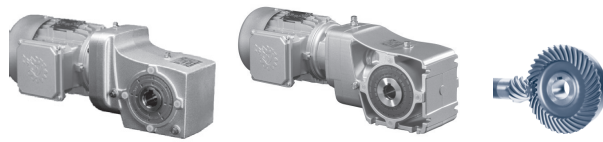
NORDBLOC.1 Helical bevel gear units

0,55 kW
0,75 kW



P_1 [kW]	n_2 [r/min]	M_2 [Nm]	f_B	i_{total}	F_R [kN]	F_A [kN]	$F_{R VL}$ [kN]	$F_{A VL}$ [kN]	Type	kg	mm E80 E92				
0,55	150	35,1	3,0	9,49	4,9	11,6			SK 92172.1 - 80 SP/4 SK 93172.1 - 80 SP/4	17,3	E80 E92				
	140	37,5	2,5	10,15	4,9	11,6									
	131	40,1	2,8	10,83	4,9	11,6									
	117	45,1	2,5	12,18	4,9	11,6									
	115	45,6	2,4	12,34	4,9	11,6									
	102	51,3	2,1	13,87	4,9	11,6									
	93	56,3	1,7	15,23	4,9	11,6									
	69	76,4	1,4	20,67	4,8	11,6									
	57	91,7	1,3	24,8	4,7	11,6									
	50	104	1,0	28,24	4,7	11,6									
	0,55	139	37,8	4,9	10,22	6,6	15,0						SK 92372.1 - 80 SP/4 SK 93372.1 - 80 SP/4	22,2	E82 E94
		113	46,5	4,0	12,56	6,6	15,0								
		101	52,2	4,2	14,12	6,6	15,0								
		90	58,6	3,1	15,84	6,6	15,0								
		77	67,8	2,7	18,33	6,6	15,0								
		71	74,1	3,0	20,04	6,6	15,0								
		63	83,2	2,2	22,49	6,6	15,0								
		57	92,7	2,4	25,06	6,5	15,0								
		51	104	1,8	28,11	6,5	15,0								
43		121	1,6	32,80	6,5	15,0									
39		136	1,4	36,80	6,4	15,0									
34		153	1,2	41,46	6,4	15,0									
30		173	1,1	46,64	6,3	15,0									
0,55		81	64,6	4,9	17,46	8,4	20,0			SK 92672.1 - 80 SP/4 SK 93672.1 - 80 SP/4	33,1	E84 E96			
		71	74	4,2	20,00	8,4	20,0								
	52	101	3,6	27,33	8,4	20,0									
	46	113	2,8	30,67	8,4	20,0									
	42	125	2,9	33,71	8,3	20,0									
	38	140	2,3	37,82	8,3	20,0									
	33	160	1,9	43,28	8,3	20,0									
	29	180	1,8	48,56	8,2	20,0									
	0,55	33	161	3,9	43,44	10,3	25,0						SK 92772.1 - 80 SP/4 SK 93772.1 - 80 SP/4	44,5	E86 E98
		30	174	3,0	46,92	10,3	25,0								
27		195	3,0	52,64	10,3	25,0									
24		221	2,0	59,68	10,2	25,0									
21		248	2,0	66,96	10,2	25,0									
0,75		467	15,3	2,6	3,03	3,0	5,6			SK 920072.1 - 80 LP/4 SK 930072.1 - 80 LP/4	13,6	E76 E88			
	421	17,0	2,4	3,36	3,0	5,6									
	356	20,1	2,0	3,97	3,0	5,6									
	314	22,8	1,8	4,50	3,0	5,6									
	274	26,2	1,4	5,17	3,0	5,6									
	251	28,5	1,6	5,64	3,0	5,6									
	221	32,4	1,5	6,40	3,0	5,6									
	212	33,7	1,5	6,67	3,0	5,6									
	187	38,3	1,3	7,58	3,0	5,6									
	158	45,4	1,1	8,97	3,0	5,6									
	136	52,8	0,9	10,43	3,0	5,6									
	115	62,4	0,8	12,33	3,0	5,6									
	0,75	395	18,1	3,6	3,58	4,0	7,5						SK 92072.1 - 80 LP/4 SK 93072.1 - 80 LP/4	16,1	E78 E90
		356	20,1	3,4	3,97	4,1	7,7								
304		23,6	2,8	4,65	4,3	8,1									
274		26,2	2,6	5,17	4,4	8,3									
243		29,5	2,4	5,83	4,6	8,6									

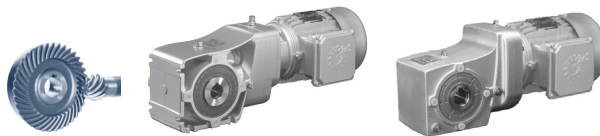
NORDBLOC.1 Helical
bevel gear units



P_1 [kW]	n_2 [r/min]	M_2 [Nm]	f_B	i_{total}	F_R [kN]	F_A [kN]	$F_{R VL}$ [kN]	$F_{A VL}$ [kN]	Type	kg	mm E78 E90
0,75	212	33,7	2,0	6,67	4,8	8,8			SK 92072.1 - 80 LP/4	16,1	E78 E90
	187	38,3	1,9	7,58	5,0	9,0			SK 93072.1 - 80 LP/4		
	163	43,9	1,7	8,67	5,0	9,0					
	144	49,8	1,5	9,85	5,0	9,0					
	127	56,2	1,2	11,11	5,0	9,0					
	111	64,7	0,9	12,78	5,0	9,0					
	88	81,0	0,8	16,00	5,0	9,0					
	395	18,1	4,9	3,58	4,9	8,9			SK 92172.1 - 80 LP/4	17,8	E80 E92
	368	19,5	4,6	3,85	4,9	9,2			SK 93172.1 - 80 LP/4		
	329	21,7	4,9	4,30	4,9	9,6					
	289	24,8	4,3	4,89	4,9	10,0					
	269	26,6	4,0	5,26	4,9	10,2					
	245	29,2	3,2	5,77	4,9	10,5					
	217	33,0	2,8	6,53	4,9	10,8					
	204	35,1	3,1	6,94	4,9	11,0					
	181	39,6	2,8	7,83	4,9	11,4					
	170	42,2	2,7	8,33	4,9	11,6					
	157	45,7	2,1	9,03	4,9	11,6					
	149	48,0	2,2	9,49	4,9	11,6					
	139	51,4	1,8	10,15	4,9	11,6					
	131	54,8	2,1	10,83	4,9	11,6					
	116	61,7	1,8	12,18	4,9	11,6					
	115	62,4	1,7	12,34	4,9	11,6					
	102	70,2	1,5	13,87	4,8	11,6					
	93	77,1	1,2	15,23	4,8	11,6					
	68	105	1,0	20,67	4,7	11,6					
	57	126	1,0	24,80	4,5	11,6					
	155	46,1	4,7	9,11	6,6	15,0			SK 92372.1 - 80 LP/4	22,7	E82 E94
	138	51,7	3,6	10,22	6,6	15,0			SK 93372.1 - 80 LP/4		
	137	52,3	4,2	10,33	6,6	15,0					
	126	56,7	3,8	11,20	6,6	15,0					
	113	63,6	2,9	12,56	6,6	15,0					
	100	71,5	3,0	14,12	6,6	15,0					
	89	80,2	2,3	15,84	6,6	15,0					
	77	92,8	2,0	18,33	6,5	15,0					
	71	101	2,2	20,04	6,5	15,0					
	63	114	1,6	22,49	6,5	15,0					
	56	127	1,7	25,06	6,5	15,0					
	50	142	1,3	28,11	6,4	15,0					
	43	166	1,2	32,80	6,3	15,0					
	38	186	1,0	36,80	6,2	15,0					
	34	210	0,9	41,46	6,1	15,0					
	98	72,9	4,3	14,40	8,4	20,0			SK 92672.1 - 80 LP/4	33,6	E84 E96
	91	78,8	4,6	15,56	8,4	20,0			SK 93672.1 - 80 LP/4		
	81	88,4	3,6	17,46	8,4	20,0					
	71	101	3,1	20,00	8,4	20,0					
	52	138	2,6	27,33	8,3	20,0					
	46	155	2,0	30,67	8,3	20,0					
	42	171	2,1	33,71	8,3	20,0					
	37	191	1,7	37,82	8,2	20,0					
	33	219	1,4	43,28	8,1	20,0					
	29	246	1,3	48,56	8,0	20,0					

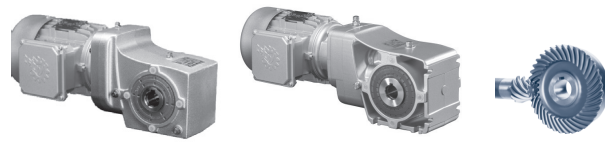
NORDBLOC.1 Helical bevel gear units

0,75 kW
1,10 kW



P_1 [kW]	n_2 [r/min]	M_2 [Nm]	f_B	i_{total}	F_R [kN]	F_A	$F_{R VL}$ [kN]	$F_{A VL}$	Type	kg	mm E86 E98			
0,75	56	128	4,9	25,34	10,4	25,0			SK 92772.1 - 80 LP/4 SK 93772.1 - 80 LP/4	45	E86 E98			
	51	140	4,5	27,65	10,4	25,0								
	33	220	2,9	43,44	10,2	25,0								
	30	237	2,2	46,92	10,2	25,0								
	27	266	2,2	52,64	10,2	25,0								
	24	302	1,4	59,68	10,1	25,0								
	21	339	1,4	66,96	10,0	25,0								
1,10	399	26,3	2,5	3,58	3,9	7,2			SK 92072.1 - 90 SP/4 SK 93072.1 - 90 SP/4	21	E78 E90			
	360	29,2	2,3	3,97	4,0	7,4								
	307	34,2	1,9	4,65	4,2	7,7								
	277	38,0	1,8	5,17	4,3	7,9								
	245	42,8	1,7	5,83	4,4	8,2								
	399	26,3	3,3	3,58	4,9	8,6			SK 92172.1 - 90 SP/4 SK 93172.1 - 90 SP/4	22,7	E80 E92			
	372	28,3	3,2	3,85	4,9	8,9								
	333	31,6	3,4	4,30	4,9	9,3								
	292	35,9	3,0	4,89	4,9	9,7								
	272	38,6	2,8	5,26	4,9	9,9								
	248	42,4	2,2	5,77	4,9	10,1								
	219	48	1,9	6,53	4,9	10,4								
	206	51	2,2	6,94	4,9	10,5								
	183	57,5	1,9	7,83	4,9	10,9								
	172	61,2	1,9	8,33	4,9	11,1								
	151	69,7	1,5	9,49	4,8	11,5								
	279	37,7	4,9	5,13	6,6	13,9						SK 92372.1 - 90 SP/4 SK 93372.1 - 90 SP/4	27,6	E82 E94
	245	42,8	4,4	5,83	6,6	14,7								
	215	49,0	4,2	6,67	6,6	15,0								
	204	51,5	3,9	7,01	6,6	15,0								
175	60,2	3,5	8,19	6,6	15,0									
157	66,9	3,3	9,11	6,6	15,0									
140	75,1	2,5	10,22	6,6	15,0									
138	75,9	2,9	10,33	6,6	15,0									
128	82,3	2,7	11,20	6,6	15,0									
114	92,3	2,0	12,56	6,5	15,0									
101	104	2,1	14,12	6,5	15,0									
90	116	1,6	15,84	6,5	15,0									
78	135	1,4	18,33	6,4	15,0									
71	147	1,5	20,04	6,4	15,0									
64	165	1,1	22,49	6,3	15,0									
57	184	1,2	25,06	6,2	15,0									
51	206	0,9	28,11	6,1	15,0									
44	241	0,8	32,80	5,9	15,0									
141	74,6	4,9	10,16	8,4	20,0			SK 92672.1 - 90 SP/4 SK 93672.1 - 90 SP/4	38,5	E84 E96				
126	83,7	4,3	11,39	8,4	20,0									
111	94,3	3,8	12,84	8,4	20,0									
99	106	3,0	14,40	8,4	20,0									
92	114	3,2	15,56	8,4	20,0									
82	128	2,5	17,46	8,3	20,0									
79	134	2,6	18,21	8,3	20,0									
72	147	2,1	20,00	8,3	20,0									
57	183	2,0	24,88	8,2	20,0									
52	201	1,8	27,33	8,2	20,0									
47	225	1,4	30,67	8,1	20,0									
42	248	1,5	33,71	8,0	20,0									
38	278	1,1	37,82	7,9	20,0									
33	318	1,0	43,28	7,7	20,0									
29	357	0,9	48,56	7,5	20,0									

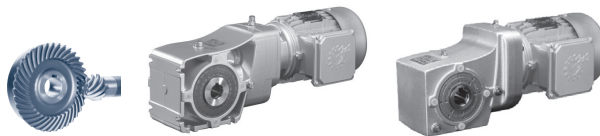
NORDBLOC.1 Helical
bevel gear units



P_1 [kW]	n_2 [r/min]	M_2 [Nm]	f_B	i_{total}	F_R [kN]	F_A [kN]	$F_{R VL}$ [kN]	$F_{A VL}$ [kN]	Type	kg	mm E86 E98				
1,10	76	138	4,6	18,84	10,4	25,0			SK 92772.1 - 90 SP/4 SK 93772.1 - 90 SP/4	49,9	E86 E98				
	75	141	4,5	19,17	10,4	25,0									
	68	155	4,1	21,14	10,4	25,0									
	63	166	3,9	22,59	10,3	25,0									
	58	181	3,6	24,64	10,3	25,0									
	56	186	3,4	25,34	10,3	25,0									
	52	203	3,1	27,65	10,3	25,0									
	41	257	2,6	35,04	10,2	25,0									
	36	289	2,2	39,32	10,1	25,0									
	33	319	2,0	43,44	10,0	25,0									
	30	345	1,5	46,92	9,9	25,0									
	27	387	1,5	52,64	9,8	25,0									
	24	438	1,0	59,68	9,6	25,0									
	21	492	1,0	66,96	9,4	25,0									
1,50	395	36,2	2,4	3,58	4,8	8,3			SK 92172.1 - 90 LP/4 SK 93172.1 - 90 LP/4	24,3	E80 E92				
	368	38,9	2,3	3,85	4,9	8,6									
	329	43,5	2,4	4,30	4,9	9,0									
	289	49,5	2,2	4,89	4,9	9,4									
	269	53,2	2,0	5,26	4,9	9,5									
	245	58,4	1,6	5,77	4,9	9,8									
	217	66,1	1,4	6,53	4,8	9,9									
	204	70,3	1,6	6,94	4,8	10,1									
	181	79,3	1,4	7,83	4,8	10,4									
	170	84,4	1,4	8,33	4,8	10,5									
	149	96,1	1,1	9,49	4,7	10,9									
		381	37,6	4,8	3,72	6,6	11,8						SK 92372.1 - 90 LP/4 SK 93372.1 - 90 LP/4	29,2	E82 E94
		329	43,6	4,3	4,31	6,6	12,6								
		276	51,9	3,6	5,13	6,6	13,6								
		243	59,1	3,2	5,83	6,6	14,4								
		212	67,5	3,0	6,67	6,6	15,0								
		202	70,9	2,8	7,01	6,6	15,0								
		173	83,0	2,5	8,19	6,6	15,0								
		155	92,2	2,4	9,11	6,5	15,0								
		138	103	1,8	10,22	6,5	15,0								
		137	105	2,1	10,33	6,5	15,0								
		126	113	1,9	11,20	6,5	15,0								
		113	127	1,4	12,56	6,5	15,0								
		100	143	1,5	14,12	6,4	15,0								
		89	160	1,1	15,84	6,3	15,0								
		77	186	1,0	18,33	6,2	15,0								
		71	203	1,1	20,04	6,1	15,0								
		63	228	0,8	22,49	6,0	15,0								
		56	254	0,9	25,06	5,8	15,0								
		212	67,7	4,7	6,68	8,4	19,6			SK 92672.1 - 90 LP/4 SK 93672.1 - 90 LP/4	40,1	E84 E96			
		190	75,3	4,6	7,44	8,4	20,0								
		170	84,4	4,1	8,33	8,4	20,0								
		151	95,1	3,7	9,39	8,4	20,0								
		139	103	3,5	10,16	8,4	20,0								
	124	115	3,1	11,39	8,4	20,0									
	110	130	2,8	12,84	8,3	20,0									
	98	146	2,2	14,40	8,3	20,0									
	91	158	2,3	15,56	8,3	20,0									
	81	177	1,8	17,46	8,2	20,0									

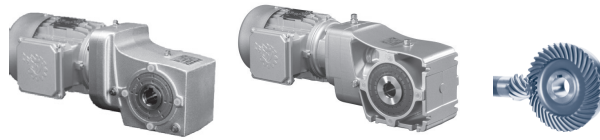
**NORDBLOC.1 Helical
bevel gear units**

1,50 kW
2,20 kW



P_1 [kW]	n_2 [r/min]	M_2 [Nm]	f_B	i_{total}	F_R [kN]	F_A	$F_{R VL}$ [kN]	$F_{A VL}$	Type	kg	mm E84 E96			
1,50	78	184	1,9	18,21	8,2	20,0			SK 92672.1 - 90 LP/4 SK 93672.1 - 90 LP/4	40,1	E84 E96			
	71	202	1,5	20,00	8,2	20,0								
	57	252	1,4	24,88	8,0	20,0								
	52	277	1,3	27,33	7,9	20,0								
	46	310	1,0	30,67	7,8	20,0								
	42	341	1,1	33,71	7,6	20,0								
	37	383	0,8	37,82	7,4	20,0								
	113	127	4,7	12,50	10,4	25,0						SK 92772.1 - 90 LP/4 SK 93772.1 - 90 LP/4	51,5	E86 E98
	103	140	4,3	13,79	10,4	25,0								
	92	156	4,0	15,42	10,4	25,0								
	83	173	3,7	17,08	10,3	25,0								
	75	191	3,4	18,84	10,3	25,0								
	74	194	3,2	19,17	10,3	25,0								
	67	214	2,9	21,14	10,3	25,0								
	63	229	2,8	22,59	10,2	25,0								
	57	249	2,6	24,64	10,2	25,0								
	56	257	2,5	25,34	10,2	25,0								
	51	280	2,3	27,65	10,1	25,0								
	40	355	1,9	35,04	9,9	25,0								
	36	398	1,6	39,32	9,8	25,0								
33	440	1,4	43,44	9,6	25,0									
30	475	1,1	46,92	9,5	25,0									
27	533	1,1	52,64	9,2	25,0									
2,20	394	53,3	3,4	3,72	6,6	11,2			SK 92372.1 - 100 LP/4 SK 93372.1 - 100 LP/4	40,5	E82 E94			
	340	61,7	3,0	4,31	6,6	11,9								
	286	73,5	2,5	5,13	6,6	12,8								
	251	83,7	2,3	5,83	6,6	13,6								
	220	95,6	2,1	6,67	6,5	14,2								
	209	101	2,0	7,01	6,5	14,5								
	179	118	1,8	8,19	6,5	14,8								
	161	131	1,7	9,11	6,4	15,0								
	143	147	1,3	10,22	6,4	15,0								
	131	161	1,4	11,20	6,3	15,0								
	117	180	1,0	12,56	6,2	15,0								
	260	80,9	3,8	5,64	8,4	17,2						SK 92672.1 - 100 LP/4 SK 93672.1 - 100 LP/4	51,4	E84 E96
	219	95,8	3,3	6,68	8,4	18,8								
	197	107	3,3	7,44	8,4	19,3								
	176	120	2,9	8,33	8,4	19,9								
	156	135	2,6	9,39	8,3	20,0								
	144	146	2,5	10,16	8,3	20,0								
	129	163	2,2	11,39	8,3	20,0								
	114	184	2,0	12,84	8,2	20,0								
	102	207	1,5	14,40	8,2	20,0								
94	223	1,6	15,56	8,1	20,0									
84	250	1,3	17,46	8,0	20,0									
80	261	1,3	18,21	8,0	20,0									
59	357	1,0	24,88	7,5	20,0									
166	127	4,4	8,85	10,4	25,0			SK 92772.1 - 100 LP/4 SK 93772.1 - 100 LP/4	62,8	E86 E98				
149	141	4,1	9,81	10,4	25,0									
130	162	3,6	11,28	10,3	25,0									
117	179	3,3	12,50	10,3	25,0									
117	179	3,3	12,50	10,3	25,0									
106	198	3,1	13,79	10,3	25,0									

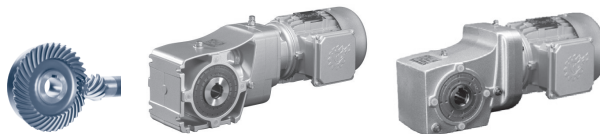
NORDBLOC.1 Helical
bevel gear units



P_1 [kW]	n_2 [r/min]	M_2 [Nm]	f_B	i_{total}	F_R [kN]	F_A [kN]	$F_{R VL}$ [kN]	$F_{A VL}$ [kN]	Type	kg	mm E86 E98	
2,20	95	221	2,9	15,42	10,2	25,0			SK 92772.1 - 100 LP/4	62,8	E86	
	86	245	2,6	17,08	10,2	25,0			SK 93772.1 - 100 LP/4		E98	
	78	270	2,4	18,84	10,1	25,0						
	76	275	2,3	19,17	10,1	25,0						
	69	303	2,1	21,14	10,1	25,0						
	65	324	2,0	22,59	10,0	25,0						
	58	363	1,7	25,34	9,9	25,0						
	52	407	1,5	28,38	9,7	25,0						
	46	457	1,4	31,85	9,5	25,0						
	42	503	1,3	35,04	9,3	25,0						
37	564	1,1	39,32	9,0	25,0							
3,00	393	73	2,5	3,72	6,6	10,8			SK 92372.1 - 100 AP/4	40,5	E82	
	339	84,5	2,2	4,31	6,6	11,4			SK 93372.1 - 100 AP/4		E94	
	285	101	1,8	5,13	6,5	12,2						
	250	114	1,7	5,83	6,5	12,8						
	219	131	1,6	6,67	6,4	13,4						
	208	138	1,5	7,01	6,4	13,8						
	178	161	1,3	8,19	6,3	13,9						
	160	179	1,2	9,11	6,2	14,4						
	143	201	0,9	10,22	6,1	14,8						
	130	220	1,0	11,20	6,0	14,9						
	335	85,5	3,7	4,36	8,4	14,9			SK 92672.1 - 100 AP/4		51,4	E84
	259	111	2,8	5,64	8,4	16,6			SK 93672.1 - 100 AP/4			E96
	218	131	2,4	6,68	8,3	18,2						
	196	146	2,4	7,44	8,3	18,6						
	175	164	2,1	8,33	8,3	19,1						
	155	184	1,9	9,39	8,2	19,6						
	144	199	1,8	10,16	8,2	20,0						
	128	223	1,6	11,39	8,1	20,0						
	114	252	1,4	12,84	8,0	20,0						
	101	283	1,1	14,40	7,9	20,0						
94	305	1,2	15,56	7,8	20,0							
84	343	0,9	17,46	7,6	20,0							
80	357	1,0	18,21	7,5	20,0							
203	141	3,9	7,18	10,4	24,1			SK 92772.1 - 100 AP/4	62,8	E86		
165	174	3,2	8,85	10,3	25,0			SK 93772.1 - 100 AP/4		E98		
149	193	3,0	9,81	10,3	25,0							
129	221	2,6	11,28	10,2	25,0							
117	245	2,4	12,50	10,2	25,0							
106	271	2,2	13,79	10,1	25,0							
95	303	2,1	15,42	10,1	25,0							
85	335	1,9	17,08	10,0	25,0							
77	370	1,7	18,84	9,9	25,0							
76	376	1,7	19,17	9,8	25,0							
69	415	1,5	21,14	9,7	25,0							
65	443	1,5	22,59	9,6	25,0							
58	497	1,3	25,34	9,3	25,0							
51	557	1,1	28,38	9,0	25,0							
46	625	1,0	31,85	8,6	25,0							
42	688	1,0	35,04	8,2	25,0							
37	771	0,8	39,32	7,5	25,0							

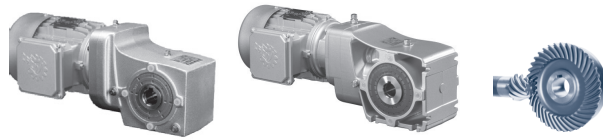
**NORDBLOC.1 Helical
bevel gear units**

4,00 kW
5,50 kW

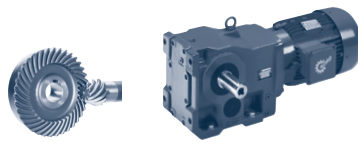


P_1 [kW]	n_2 [r/min]	M_2 [Nm]	f_B	i_{total}	F_R [kN]	F_A	$F_{R VL}$ [kN]	$F_{A VL}$	Type	kg	mm E82 E94
4,00	387	98,6	1,8	3,72	6,5	10,2			SK 92372.1 - 112 MP/4 SK 93372.1 - 112 MP/4	48	E82 E94
	334	114	1,6	4,31	6,5	10,7					
	281	136	1,4	5,13	6,4	11,4					
	247	155	1,2	5,83	6,4	11,9					
	216	177	1,2	6,67	6,3	12,4					
	205	186	1,1	7,01	6,2	12,9					
	176	217	1,0	8,19	6,0	12,8					
	158	242	0,9	9,11	5,9	13,3					
	330	116	2,7	4,36	8,4	14,4			SK 92672.1 - 112 MP/4 SK 93672.1 - 112 MP/4	58,9	E84 E96
	255	150	2,1	5,64	8,3	15,9					
	215	177	1,8	6,68	8,2	17,4					
	194	197	1,8	7,44	8,2	17,8					
	173	221	1,6	8,33	8,1	18,2					
	153	249	1,4	9,39	8,0	18,5					
	142	270	1,3	10,16	7,9	19,1					
	126	302	1,2	11,39	7,8	19,1					
	112	341	1,1	12,84	7,6	19,9					
	100	382	0,8	14,40	7,4	20,0					
	93	413	0,9	15,56	7,2	20,0					
	281	136	3,7	5,12	10,4	20,2			SK 92772.1 - 112 MP/4 SK 93772.1 - 112 MP/4	70,3	E86 E98
	201	190	2,9	7,18	10,3	23,4					
163	235	2,4	8,85	10,2	24,9						
147	260	2,2	9,81	10,2	25,0						
128	299	1,9	11,28	10,1	25,0						
115	332	1,8	12,50	10,0	25,0						
104	366	1,7	13,79	9,9	25,0						
93	409	1,5	15,42	9,7	25,0						
84	453	1,4	17,08	9,5	25,0						
76	500	1,3	18,84	9,3	25,0						
75	508	1,2	19,17	9,3	25,0						
68	561	1,1	21,14	9,0	25,0						
64	599	1,1	22,59	8,8	25,0						
57	672	0,9	25,34	8,3	25,0						
5,50	336	156	2,0	4,36	8,3	13,5			SK 92672.1 - 132 SP/4 SK 93672.1 - 132 SP/4	78,4	E84 E96
	260	202	1,5	5,64	8,2	14,7					
	219	240	1,3	6,68	8,0	16,0					
	197	267	1,3	7,44	7,9	16,1					
	176	299	1,2	8,33	7,8	16,6					
	144	364	1,0	10,16	7,5	17,4					
	352	149	3,3	4,17	10,4	17,8					
	286	184	2,8	5,12	10,3	19,2					
	229	229	2,2	6,39	10,2	21,3					
	204	257	2,1	7,18	10,2	21,9					
	166	317	1,8	8,85	10,0	23,5					
	149	352	1,6	9,81	9,9	24,3					
	130	404	1,4	11,28	9,7	24,5					
	117	448	1,3	12,50	9,6	24,9					
	95	553	1,1	15,42	9,1	25,0					
	86	612	1,1	17,08	8,7	25,0					
	76	687	0,9	19,17	8,2	25,0					

NORDBLOC.1 Helical
bevel gear units

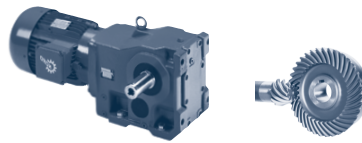


P_1 [kW]	n_2 [r/min]	M_2 [Nm]	f_B	i_{total}	F_R [kN]	F_A [kN]	$F_{R VL}$ [kN]	$F_{A VL}$ [kN]	Type	kg	mm E84 E96
7,50	335	214	1,5	4,36	8,1	12,4			SK 92672.1 - 132 MP/4 SK 93672.1 - 132 MP/4	85,4	E84 E96
	259	277	1,1	5,64	7,9	13,2					
	218	328	1,0	6,68	7,7	14,3					
	196	365	1,0	7,44	7,5	14,0					
	175	409	0,9	8,33	7,2	14,3					
	350	204	2,4	4,17	10,3	16,9			SK 92772.1 - 132 MP/4 SK 93772.1 - 132 MP/4	96,8	E86 E98
	285	251	2,0	5,12	10,2	18,0					
	229	313	1,6	6,39	10,0	19,9					
	203	352	1,6	7,18	9,9	20,2					
	165	434	1,3	8,85	9,6	21,6					
	149	481	1,2	9,81	9,4	22,4					
	129	553	1,0	11,28	9,1	22,2					
	117	613	1,0	12,50	8,7	22,3					
	95	756	0,8	15,42	7,7	23,2					



P_1 [kW]	n_2 [r/min]	M_2 [Nm]	f_B	i_{total}	F_R [kN]	F_A	$F_{R\ VL}$ [kN]	$F_{A\ VL}$	Type	kg	mm E
0,12	14	81,5	4,9	97,36	6,9	20	9	20	SK 9012.1 - 63 SP/4	33,8	E100
	11	103	3,9	123,48	6,9	20	9	20			
	9,7	118	3,4	140,70	6,9	20	9	20			
	8,2	140	2,9	166,59	6,8	20	9	20			
	6,7	172	2,3	205,93	6,7	20	9	20			
	5,6	206	1,9	246,37	6,5	20	9	20			
	4,9	235	1,7	280,71	6,3	20	9	20			
4,1	278	1,4	332,37	6,0	20	9	20				
9,7	119	3,4	141,29	6,9	20	9	20	SK 9013.1 - 63 SP/4	38,8	E102	
7,7	149	2,7	177,88	6,8	20	9	20				
6,4	178	2,2	212,83	6,6	20	9	20				
4,9	236	1,7	281,92	6,3	20	9	20				
4,3	268	1,5	320,60	6,1	20	9	20				
3,1	368	1,1	439,46	5,1	20	8,4	20				
2,3	* 494	0,8	589,96		20	7,2	20				
2,1	* 500	0,8	667,89		20	7,2	20				
1,6	* 500	0,8	847,07		20	7,2	20				
1,1	* 500	0,8	1256,07		20	7,2	20				
1,0	* 500	0,8	1412,68		20	7,2	20				
0,8	* 500	0,8	1690,10		20	7,2	20				
6,7	172	3,5	205,93	8,0	20	9	20	SK 9016.1 - 63 SP/4	34,8	E104	
5,8	196	3,0	234,64	8,0	20	9	20				
4,9	232	2,5	277,84	7,8	20	9	20				
10	112	3,8	134,32	8,2	20	9	20	SK 9017.1 - 63 SP/4	39,8	E106	
7,7	149	3,8	177,89	8,1	20	9	20				
5,8	197	3,1	235,64	7,9	20	9	20				
5,1	224	2,7	267,99	7,9	20	9	20				
3,7	308	2,0	367,33	7,5	20	9	20				
2,8	413	1,5	493,12	7,1	20	9	20				
2,5	467	1,3	558,25	6,8	20	9	20				
2,2	527	1,2	629,56	6,5	20	9	20				
1,1	* 763	0,8	1256,07		20	9	20				
1,0	* 763	0,8	1412,69		20	9	20				
5,9	195	3,6	232,92	8,9	12	12	23,2				SK 9022.1 - 63 SP/4
4,9	232	3,5	276,86	8,8	12	12	24,3				
6,0	192	3,4	228,47	8,9	12	12	23,1	SK 9023.1 - 63 SP/4	46,8	E110	
4,6	249	3,5	297,67	8,7	12	12	24,8				
4,0	284	3,0	339,41	8,6	12	12	25				
2,9	396	2,2	472,43	8,0	12	11,8	25				
2,4	470	1,8	561,55	7,5	12	11,4	25				
2,0	567	1,5	678,31	6,7	12	10,9	25				
1,8	631	1,4	753,86	5,9	12	10,5	25				
1,4	797	1,1	951,94		12	9,0	25				
1,2	938	0,9	1120,38		12	7,2	25				
0,9	* 1075	0,8	1504,07		12		25				
0,7	* 1075	0,8	1899,26		12		25				
3,4	334	4,6	398,77	12,1	14,5	15	29				SK 9033.1 - 63 SP/4
2,5	451	3,4	539,10	11,6	14,5	15	30				
2,0	579	2,7	691,55	11,0	14,5	15	30				
1,6	730	2,1	873,65	10,2	14,5	15	30				

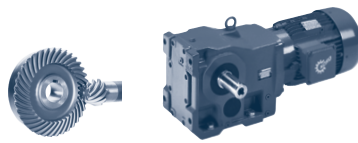
UNICASE™
 Helical bevel gear units



P_1 [kW]	n_2 [r/min]	M_2 [Nm]	f_B	i_{total}	F_R [kN]	F_A	$F_{R VL}$ [kN]	$F_{A VL}$	Type	kg	mm
0,12	1,2	963	1,6	1149,80	8,9	14,5	15	30	SK 9033.1 - 63 SP/4	69,8	E114
	1,0	1140	1,4	1361,37	7,8	14,5	15	30			
	0,8	1527	1,0	1822,00	2,6	14,5	13,5	30			
	0,6	* 1938	0,8	2428,14		14,5	11,1	30			
	0,4	* 1938	0,8	3635,95		14,5	11,1	30			
0,18	18	95,2	4,2	76,53	6,9	20	9	20	SK 9012.1 - 63 LP/4	34,7	E100
	16	107	3,7	86,00	6,9	20	9	20			
	14	121	3,3	97,36	6,8	20	9	20			
	11	154	2,6	123,48	6,7	20	9	20			
	9,8	175	2,3	140,70	6,6	20	9	20			
	8,3	207	1,9	166,59	6,5	20	9	20			
	6,7	256	1,6	205,93	6,2	20	9	20			
	5,6	306	1,3	246,37	5,8	20	8,8	20			
	4,9	348	1,1	280,71	5,4	20	8,5	20			
	4,2	413	1,0	332,37	3,6	20	8	20			
	9,8	176	2,3	141,29	6,6	20	9	20	SK 9013.1 - 63 LP/4	39,7	E102
	7,8	221	1,8	177,88	6,4	20	9	20			
	6,5	265	1,5	212,83	6,1	20	9	20			
	4,9	351	1,1	281,92	5,3	20	8,5	20			
	4,3	398	1,0	320,60	4,2	20	8,2	20			
	6,7	256	2,4	205,93	7,7	20	9	20	SK 9016.1 - 63 LP/4	35,7	E104
	5,9	291	2,0	234,64	7,6	20	9	20			
	5,0	345	1,7	277,84	7,4	20	9	20			
10	167	2,6	134,32	8,1	20	9	20	SK 9017.1 - 63 LP/4	40,7	E106	
7,8	221	2,6	177,89	7,9	20	9	20				
5,9	293	2,1	235,64	7,6	20	9	20				
5,2	332	1,8	267,99	7,4	20	9	20				
3,8	456	1,3	367,33	6,9	20	9	20				
2,8	612	1,0	493,12	6,1	20	9	20				
2,5	693	0,9	558,25	3,4	20	9	20				
5,9	289	2,4	232,92	8,6	12	12	22,6	SK 9022.1 - 63 LP/4	42,7	E108	
5,0	344	2,3	276,86	8,3	12	12	23,6				
6,0	284	2,3	228,47	8,6	12	12	22,5	SK 9023.1 - 63 LP/4	47,7	E110	
4,7	369	2,3	297,67	8,2	12	11,9	24				
4,1	422	2,0	339,41	7,9	12	11,7	24,8				
2,9	587	1,5	472,43	6,5	12	10,8	25				
2,5	698	1,2	561,55	3,1	12	9,9	25				
2,0	842	1,0	678,31		12	8,5	25				
1,8	936	0,9	753,86		12	7,2	25				
5,2	332	4,7	267,65	12,1	14,5	15	25,4	SK 9033.1 - 63 LP/4	70,7	E114	
3,9	438	3,5	352,25	11,7	14,5	15	27,3				
3,5	496	3,1	398,77	11,4	14,5	15	28,2				
2,6	669	2,3	539,10	10,6	14,5	15	30				
2,0	859	1,8	691,55	9,5	14,5	15	30				
1,6	1084	1,4	873,65	8,2	14,5	15	30				
1,2	1429	1,1	1149,80	5,7	14,5	14,1	30				
1,0	1692	0,9	1361,37		14,5	12,6	30				

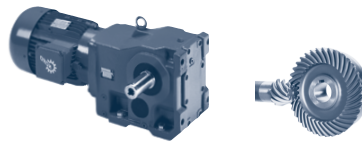
UNICASE™
Helical bevel gear units

0,25 kW



P_1 [kW]	n_2 [r/min]	M_2 [Nm]	f_B	i_{total}	F_R [kN]	F_A	$F_{R VL}$ [kN]	$F_{A VL}$	Type	kg	mm E
0,25	29	82,5	4,8	48,95	6,9	20	9	20	SK 9012.1 - 71 SP/4	36,1	E100
	26	93,2	4,3	55,17	6,9	20	9	20			
	23	106	3,8	62,74	6,9	20	9	20			
	18	129	3,1	76,53	6,8	20	9	20			
	16	145	2,8	86,00	6,8	20	9	20			
	15	164	2,4	97,36	6,7	20	9	20			
	13	186	2,2	109,79	6,6	20	9	20			
	11	209	1,9	123,48	6,5	20	9	20			
	10	238	1,7	140,70	6,3	20	9	20			
	8,5	281	1,4	166,59	6,0	20	8,9	20			
	7,7	309	1,3	183,10	5,8	20	8,8	20			
	6,9	348	1,2	205,93	5,4	20	8,5	20			
	5,7	416	1,0	246,37	3,4	20	8,0	20			
5,0	474	0,8	280,71		20	7,4	20				
	10	239	1,7	141,29	6,3	20	9,0	20	SK 9013.1 - 71 SP/4	41,1	E102
	7,9	301	1,3	177,88	5,8	20	8,8	20			
	6,6	360	1,1	212,83	5,2	20	8,5	20			
	5,0	476	0,8	281,92		20	7,4	20			
	20	121	4,9	71,88	8,2	20	9	20	SK 9016.1 - 71 SP/4	37,1	E104
	17	137	4,4	81,38	8,1	20	9	20			
	15	155	3,2	91,77	8,1	20	9	20			
	9,4	253	2,4	149,81	7,7	20	9	20			
	7,7	309	2,0	183,10	7,5	20	9	20			
	6,9	348	1,8	205,93	7,4	20	9	20			
	6,0	396	1,5	234,64	7,2	20	9	20			
	5,1	469	1,3	277,84	6,8	20	9	20			
	11	227	1,9	134,32	7,8	20	9	20	SK 9017.1 - 71 SP/4	42,1	E106
	7,9	301	1,9	177,89	7,6	20	9	20			
	6,0	398	1,5	235,64	7,2	20	9	20			
	5,3	452	1,3	267,99	6,9	20	9	20			
	3,8	620	1,0	367,33	6,0	20	9	20			
	7,7	311	2,8	184,46	8,5	12	12,0	20,7	SK 9022.1 - 71 SP/4	44,1	E108
	6,5	370	2,3	219,25	8,2	12	11,9	21,6			
	6,1	393	1,8	232,92	8,1	12	11,8	21,8			
	5,1	467	1,7	276,86	7,6	12	11,5	22,8			
	6,2	386	1,7	228,47	8,1	12	11,8	21,8	SK 9023.1 - 71 SP/4	49,1	E110
	4,8	502	1,7	297,67	7,3	12	11,3	23,1			
	4,2	573	1,5	339,41	6,6	12	10,9	23,8			
	3,0	798	1,1	472,43		12	9,0	25			
	2,5	949	0,9	561,55		12	7,0	25			
	5,7	422	3,7	249,72	11,7	14,5	15	24,3	SK 9032.1 - 71 SP/4	64,1	E112
	4,8	500	3,1	295,85	11,4	14,5	15	25,4			
	6,6	363	4,3	214,83	12,0	14,5	15	23,4	SK 9033.1 - 71 SP/4	72,1	E114
	5,3	452	3,4	267,65	11,6	14,5	15	24,8			
	4,0	596	2,6	352,25	10,9	14,5	15	26,4			
	3,5	674	2,3	398,77	10,5	14,5	15	27,2			
	2,6	909	1,7	539,10	9,2	14,5	15	29			
	2,0	1167	1,3	691,55	7,6	14,5	15	30			
	1,6	1473	1,1	873,65	5,3	14,5	13,8	30			

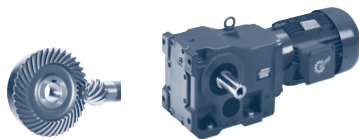
UNICASE™
Helical bevel gear units



P_1 [kW]	n_2 [r/min]	M_2 [Nm]	f_B	i_{total}	F_R [kN]	F_A	$F_{R VL}$ [kN]	$F_{A VL}$ [kN]	Type	kg	mm E
0,25	2,5	958	2,9	568,04	17,1	40	28	40	SK 9043.1 - 71 SP/4	126,1	E118
	2,2	1088	2,6	645,18	16,7	40	28	40			
	1,6	1489	1,9	881,60	15,7	40	26,8	40			
	1,3	1879	1,5	1113,24	14,4	40	25,3	40			
	0,9	2559	1,1	1517,17	11,8	40	22,4	40			
	2,4	979	4,9	579,95	30,3	45	38	45	SK 9053.1 - 71 SP/4	204,1	E122
	2,0	1187	3,4	703,83	30,1	45	38	45			
	1,5	1571	3,1	931,87	29,6	45	38	45			
	0,8	3162	1,5	1872,5	25,7	45	38	45			
	0,37	40	87,7	4,6	34,81	6,9	20	9	20	SK 9012.1 - 71 LP/4	37,2
34		105	3,8	41,65	6,9	20	9	20			
29		123	3,3	48,95	6,8	20	9	20			
25		139	2,9	55,17	6,8	20	9	20			
22		158	2,5	62,74	6,7	20	9	20			
18		193	2,1	76,53	6,6	20	9	20			
16		217	1,8	86,00	6,4	20	9	20			
14		245	1,6	97,36	6,3	20	9	20			
13		277	1,4	109,79	6,0	20	9	20			
11		311	1,3	123,48	5,7	20	8,8	20			
10		354	1,1	140,70	5,3	20	8,5	20			
8,4		420	1,0	166,59	3,3	20	8	20			
7,7		461	0,9	183,10		20	7,6	20			
9,9		356	1,1	141,29	5,3	20	8,5	20	SK 9013.1 - 71 LP/4	42,2	E102
7,9		448	0,9	177,88	1,0	20	7,7	20			
27		132	4,6	52,44	8,2	20	9	20	SK 9016.1 - 71 LP/4	38,2	E104
22		161	3,8	63,97	8,1	20	9	20			
20		181	3,3	71,88	8,0	20	9	20			
17		205	2,9	81,38	7,9	20	9	20			
15		231	2,2	91,77	7,8	20	9	20			
9,4		377	1,6	149,81	7,2	20	9	20			
7,7		461	1,3	183,10	6,9	20	9	20			
6,8		518	1,2	205,93	6,6	20	9	20			
6,0		590	1,0	234,64	6,2	20	9	20			
5,1		699	0,8	277,84	3,1	20	9	20			
10		338	1,3	134,32	7,4	20	9	20	SK 9017.1 - 71 LP/4	43,2	E106
7,9		448	1,3	177,89	6,9	20	9	20			
6,0		593	1,0	235,64	6,2	20	9	20			
5,2	674	0,9	267,99	4,5	20	9	20				
18	198	4,3	78,89	8,9	12	12,0	16,3	SK 9022.1 - 71 LP/4	45,2	E108	
14	249	3,5	98,88	8,7	12	12,0	17,3				
7,6	464	1,9	184,46	7,6	12	11,5	19,9				
6,4	552	1,6	219,25	6,8	12	11,0	20,6				
6,0	586	1,2	232,92	6,5	12	10,8	20,8				
5,1	696	1,1	276,86	3,2	12	10,0	21,6				

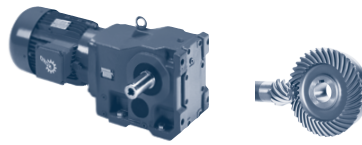
UNICASE™
Helical bevel gear units

0,37 kW
0,55 kW



P_1 [kW]	n_2 [r/min]	M_2 [Nm]	f_B	i_{total}	F_R [kN]	F_A	$F_{R VL}$ [kN]	$F_{A VL}$	Type	kg	mm E				
0,37	6,1	576	1,1	228,47	6,6	12	10,8	20,8	SK 9023.1 - 71 LP/4	50,2	E110				
	4,7	749	1,1	297,67											
	4,1	854	1,0	339,41											
	5,6	629	2,5	249,72	10,7	14,5	15	23,4	SK 9032.1 - 71 LP/4	65,2	E112				
		4,7	745	2,1								295,85			
	8,4	421	3,7	167,45	11,7	14,5	15	21,4	SK 9033.1 - 71 LP/4	73,2	E114				
		6,5	541	2,9								214,83			
		5,2	673	2,3	267,65	10,5	14,5	15				23,8			
		4,0	888	1,7	352,25	9,4	14,5	15				25,2			
		3,5	1004	1,5	398,77	8,7	14,5	15				25,8			
		2,6	1355	1,1	539,10	6,3	14,5	14,5				27,1			
		2,0	1740	0,9	691,55	12,3	28								
	5,0	702	4,0	279,60	17,7	40	28	37,6	SK 9043.1 - 71 LP/4	127,2	E118				
		4,0	881	3,2								350,72			
		2,5	1428	2,0	568,04	15,9	40	27				40			
2,2		1621	1,7	645,18	15,2	40	26,2	40							
1,6		2219	1,3	881,60	13,2	40	23,9	40							
1,3		2801	1,0	1113,24	10,7	40	21,3	40							
2,4	1460	3,3	579,95	29,8	45	38	45	SK 9053.1 - 71 LP/4	205,2	E122					
	2,0	1770	2,3								703,83				
	1,5	2341	2,1	931,87	28,1	45	38				45				
	1,3	2671	1,8	1062,85	27,2	45	38				45				
	1,0	3520	1,4	1398,80	24,3	45	38				45				
	0,7	4714	1,0	1872,50	17,5	45	34,3				45				
1,8	1716	5,0	767,55	55,6	50	66	50	SK 9072.1/32 - 71 LP/4	361,2	E134					
	1,4	2181	3,9								973,69				
	1,2	2616	3,2	1169,97	54,9	50	66				50				
	1,0	3248	2,6	1453,44	54,2	50	66				50				
	0,7	4282	2,0	1912,84	52,7	50	66				50				
0,55	131	40,2	5,0	10,85	7,0	15,9	9	15,9	SK 9012.1 - 80 SP/4	39,7	E100				
	116	45,4	4,8	12,23											
	58	90,8	4,4	24,53								6,9	19,9	9	19,9
	51	103	3,9	27,65								6,9	20	9	20
	45	116	3,4	31,45								6,9	20	9	20
	41	129	3,1	34,81								6,8	20	9	20
	34	154	2,6	41,65								6,7	20	9	20
	29	181	2,2	48,95								6,6	20	9	20
	26	204	2,0	55,17								6,5	20	9	20
	23	232	1,7	62,74								6,3	20	9	20
	19	284	1,4	76,53								6,0	20	8,9	20
	16	319	1,3	86,00								5,7	20	8,7	20
	15	360	1,1	97,36								5,2	20	8,5	20
	13	407	1,0	109,79								3,8	20	8,1	20
11	458	0,9	123,48	20	20	7,6	20								
41	129	4,7	34,81	8,2	20	9,0	20	SK 9016.1 - 80 SP/4	40,7	E104					
	35	151	4,0								40,92				
	31	171	3,6								46,11	8,0	20	9	20
	27	194	3,1								52,44	8,0	20	9	20
	22	237	2,6								63,97	7,8	20	9	20

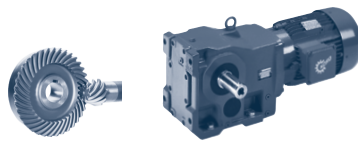
UNICASE™
Helical bevel gear units



P_1 [kW]	n_2 [r/min]	M_2 [Nm]	f_B	i_{total}	F_R [kN]	F_A	$F_{R VL}$ [kN]	$F_{A VL}$	Type	kg	mm E
0,55	20	266	2,3	71,88	7,7	20	9	20	SK 9016.1 - 80 SP/4	40,7	E104
	17	301	2,0	81,38	7,6	20	9	20			
	15	340	1,5	91,77	7,4	20	9	20			
	12	431	1,4	116,52	7,0	20	9	20			
	10	527	1,2	142,41	6,5	20	9	20			
	9,5	554	1,1	149,81	6,3	20	9	20			
	7,8	677	0,9	183,10	4,3	20	9	20			
	6,9	762	0,8	205,93		20	9	20			
29	181	4,7	49,01	8,9	12	12	14	SK 9022.1 - 80 SP/4	47,7	E108	
27	193	4,5	52,02	8,9	12	12	14,3				
24	215	4,0	58,25	8,8	12	12	14,7				
21	246	3,5	66,42	8,7	12	12	15,1				
18	292	2,9	78,89	8,6	12	12	15,8				
17	315	2,7	85,11	8,5	12	12	16				
14	366	2,4	98,88	8,2	12	11,9	16,6				
12	428	2,0	115,74	7,8	12	11,6	17,1				
10	509	1,7	1377,57	7,2	12	11,2	17,7				
8,4	628	1,4	169,81	6,0	12	10,5	18,4				
7,7	682	1,3	184,46	4,0	12	10,1	18,5				
6,5	811	1,1	219,25		12	8,8	19,1				
6,1	861	0,8	232,92		12	8,3	19,2				
17	311	5,0	84,17	12,2	14,5	15	17,5	SK 9032.1 - 80 SP/4	67,7	E112	
15	346	4,5	93,50	12,0	14,5	15	17,9				
13	410	3,8	110,77	11,8	14,5	15	18,7				
7,2	731	2,1	197,45	10,2	14,5	15	21,1				
6,1	866	1,8	233,92	9,5	14,5	15	21,8				
5,7	925	1,7	249,72	9,1	14,5	15	22				
4,8	1095	1,4	295,85	8,1	14,5	15	22,7				
8,5	620	2,5	167,45	10,8	14,5	15	20,5	SK 9033.1 - 80 SP/4	75,7	E114	
6,6	796	1,9	214,83	9,9	14,5	15	21,5				
5,3	990	1,6	267,65	8,8	14,5	15	22,4				
4,0	1306	1,2	352,25	6,6	14,5	14,7	23,3				
3,6	1477	1,0	398,77	5,2	14,5	13,8	23,6				
8,3	636	4,4	172,08	17,8	40	28	32,3	SK 9043.1 - 80 SP/4	129,7	E118	
7,0	755	3,7	204,38	17,6	40	28	33,7				
5,1	1032	2,7	279,60	16,9	40	28	36,2				
4,1	1296	2,2	350,72	16,2	40	27,5	38				
2,5	2100	1,3	568,04	13,6	40	24,4	40				
2,2	2385	1,2	645,18	12,4	40	23	40				
1,6	3264	0,9	881,60	8,2	40	19	40				
5,4	979	4,9	265,11	30,3	45	38	45	SK 9053.1 - 80 SP/4	207,7	E122	
4,1	1290	3,7	348,91	30,0	45	38	45				
3,1	1698	2,8	458,57	29,4	45	38	45				
2,4	2147	2,2	579,95	28,5	45	38	45				
2,0	2603	1,5	703,83	27,4	45	38	45				
1,5	3444	1,4	931,87	24,6	45	38	45				
1,3	3928	1,2	1062,85	22,4	45	37	45				
1,0	5177	0,9	1398,80	13,2	45	32,3	45				

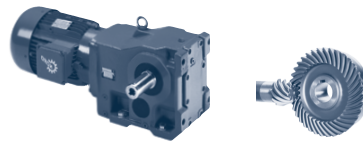
UNICASE™
Helical bevel gear units

0,55 kW
0,75 kW



P_1 [kW]	n_2 [r/min]	M_2 [Nm]	f_B	i_{total}	F_R [kN]	F_A	$F_{R VL}$ [kN]	$F_{A VL}$	Type	kg	mm
0,55	2,4	2044	4,2	598,27	55,4	50	66	50	SK 9072.1/32 - 80 SP/4	363,7	E134
	1,9	2624	3,2	767,55	54,9	50	66	50			
	1,5	3335	2,5	973,69	54,1	50	66	50			
	1,2	4000	2,1	1169,97	53,2	50	66	50			
	1,0	4967	1,7	1453,44	51,5	50	66	50			
	0,7	6548	1,3	1912,84	47,7	50	66	50			
	0,6	7932	1,1	2320,58	43,2	50	66	50			
0,75	175	40,9	4,4	8,09	7,0	14,5	9	14,5	SK 9012.1 - 80 LP/4	40,2	E100
	153	46,9	4,2	9,23	7,0	15,0	9	15,0			
	130	55,0	3,6	10,85	7,0	15,7	9	15,7			
	115	62,1	3,5	12,23	7,0	16,2	9	16,2			
	93	77,3	4,9	15,30	7,0	17,3	9	17,3			
	81	88,5	4,3	17,45	6,9	18,0	9	18,0			
	68	106	3,8	20,87	6,9	18,8	9	18,8			
	58	124	3,2	24,53	6,8	19,6	9	19,6			
	51	140	2,9	27,65	6,8	20	9	20			
	45	159	2,5	31,45	6,7	20	9	20			
	41	176	2,3	34,81	6,6	20	9	20			
	34	211	1,9	41,65	6,5	20	9	20			
	29	248	1,6	48,95	6,2	20	9	20			
	26	280	1,4	55,17	6,0	20	9	20			
	23	318	1,3	62,74	5,7	20	8,7	20			
	18	388	1,0	76,53	4,5	20	8,2	20			
	16	436	0,9	86,00	2,3	20	7,8	20			
	15	493	0,8	97,36		20	7,2	20			
		61	117	4,4	23,11	8,2	19,3	9			
54		133	4,5	26,29	8,2	20	9	20			
46		154	3,9	30,52	8,1	20	9	20			
41		176	3,4	34,81	8,0	20	9	20			
35		207	2,9	40,92	7,9	20	9	20			
31		234	2,6	46,11	7,8	20	9	20			
27		265	2,3	52,44	7,7	20	9	20			
22		324	1,9	63,97	7,5	20	9	20			
20		364	1,6	71,88	7,3	20	9	20			
17		412	1,5	81,38	7,1	20	9	20			
15		465	1,1	91,77	6,8	20	9	20			
12		590	1,0	116,52	6,1	20	9	20			
9,9		721	0,8	142,41		20	9	20			
9,4		758	0,8	149,81		20	9	20			
	36	201	4,3	39,77	8,9	12	12	13,0	SK 9022.1 - 80 LP/4	48,2	E108
	32	227	3,8	44,71	8,8	12	12	13,4			
	29	248	3,5	49,01	8,7	12	12	13,7			
	27	264	3,3	52,02	8,7	12	12	13,9			
	24	295	2,9	58,25	8,5	12	12	14,2			
	21	336	2,6	66,42	8,4	12	12	14,7			
	18	399	2,2	78,89	8,0	12	11,8	15,2			
	17	431	2,0	85,11	7,8	12	11,6	15,4			
	14	501	1,7	98,88	7,3	12	11,3	15,9			
	12	586	1,5	115,74	6,5	12	10,8	16,2			
	10	697	1,2	137,57	3,2	12	10,0	16,7			
	8,3	860	1,0	169,81		12	8,3	17,2			
	7,7	934	0,9	184,46		12	7,2	17,1			

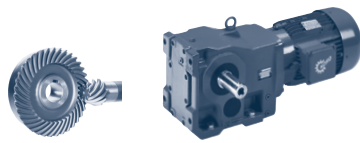
UNICASE™
Helical bevel gear units



P_1 [kW]	n_2 [r/min]	M_2 [Nm]	f_B	i_{total}	F_R [kN]	F_A	$F_{R VL}$ [kN]	$F_{A VL}$	Type	kg	mm E				
0,75	22	324	4,8	64,08	12,1	14,5	15	16	SK 9032.1 - 80 LP/4	68,2	E112				
	19	384	4,0	75,91	11,9	14,5	15	16,6							
	17	426	3,6	84,17	11,7	14,5	15	17							
	15	474	3,3	93,50	11,5	14,5	15	17,4							
	13	562	2,8	110,77	11,1	14,5	15	18,1							
	7,2	1001	1,5	197,45	8,7	14,5	15	19,9							
	6,0	1185	1,3	233,92	7,5	14,5	15	20,5							
	5,7	1265	1,2	249,72	6,9	14,5	14,9	20,5							
	4,8	1499	1,0	295,85	4,3	14,5	13,7	21							
	8,4	848	1,8	167,45	9,6	14,5	15	19,5				SK 9033.1 - 80 LP/4	76,2	E114	
		6,6	1089	1,4	214,83	8,1	14,5	15							20,2
		5,3	1355	1,1	267,65	6,3	14,5	14,5							20,8
		4,0	1787	0,9	352,25		14,5	12							21,2
	8,2	871	3,2	172,08	17,3	40	28	31,4				SK 9043.1 - 80 LP/4	130,2	E118	
6,9		1033	2,7	204,38	16,9	40	28	32,6							
5,1		1412	2,0	279,60	15,9	40	27,1	34,8							
4,0		1774	1,6	350,72	14,8	40	25,7	36,3							
2,5		2874	1,0	568,04	10,3	40	20,9	38,8							
2,2		3263	0,9	645,18	8,1	40	18,8	38,9							
6,2	1159	4,1	229,07	30,2	45	38	45	SK 9053.1 - 80 LP/4	208,2	E122					
	5,3	1339	3,6	265,11	29,9	45	38				45				
	4,1	1766	2,7	348,91	29,3	45	38				45				
	3,1	2323	2,1	458,57	28,1	45	38				45				
	2,4	2938	1,6	579,95	26,4	45	38				45				
	2,0	3562	1,1	703,83	24,1	45	38				45				
	1,5	4713	1,0	931,87	17,5	45	34,3				45				
	1,3	5375	0,9	1062,85	10,6	45	31,3				45				
3,7	1843	4,6	385,88	55,5	50	66	50	SK 9072.1/32 - 80 LP/4	364,2	E134					
	2,4	2856	3,0	598,27	54,6	50	66				50				
	1,8	3666	2,3	767,55	53,6	50	66				50				
	1,5	4659	1,8	973,69	52,0	50	66				50				
	1,2	5588	1,5	1169,97	50,1	50	66				50				
	1,0	6940	1,2	1453,44	46,5	50	66				50				
	0,7	9148	0,9	1912,84	37,9	50	66				50				
1,10	177	59,4	3,0	8,09	7,0	14,2	9	14,2	SK 9012.1 - 90 SP/4	45,1	E100				
	154	68	2,9	9,23	7,0	14,7	9	14,7							
	132	79,8	2,5	10,85	6,9	15,4	9	15,4							
	117	90,1	2,4	12,23	6,9	15,8	9	15,8							
	94	112	3,4	15,30	6,9	16,9	9	16,9							
	82	128	3,0	17,45	6,8	17,5	9	17,5							
	68	154	2,6	20,87	6,7	18,3	9	18,3							
	58	180	2,2	24,53	6,6	19,0	9	19,0							
	52	204	2,0	27,65	6,5	19,6	9	19,6							
	45	231	1,7	31,45	6,3	20	9	20							
	41	256	1,6	34,81	6,2	20	9	20							
	34	306	1,3	41,65	5,8	20	8,8	20							
	29	359	1,1	48,95	5,2	20	8,5	20							
	26	406	1,0	55,17	3,9	20	8,1	20							
23	461	0,9	62,74		20	7,6	20								

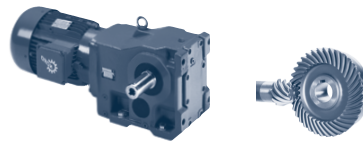
UNICASE™
Helical bevel gear units

1,10 kW



P_1 [kW]	n_2 [r/min]	M_2 [Nm]	f_B	i_{total}	F_R [kN]	F_A	$F_{R VL}$ [kN]	$F_{A VL}$	Type	kg	mm E
1,10	94	112	4,6	15,10	8,2	16,9	9	16,9	SK 9016.1 - 90 SP/4	46,1	E104
	82	128	4,2	17,45	8,2	17,5	9	17,5			
	70	151	3,9	20,51	8,1	18,2	9	18,2			
	62	170	3,1	23,11	8,0	18,7	9	18,7			
	54	193	3,1	26,29	8,0	19,3	9	19,3			
	47	224	2,7	30,52	7,9	19,9	9	19,9			
	41	256	2,3	34,81	7,7	20	9	20			
	35	300	2,0	40,92	7,6	20	9	20			
	31	339	1,8	46,11	7,4	20	9	20			
	27	385	1,6	52,44	7,2	20	9	20			
	22	471	1,3	63,97	6,8	20	9	20			
	20	528	1,1	71,88	6,5	20	9	20			
	18	598	1,0	81,38	6,2	20	9	20			
	64	165	4,7	22,41	9,0	12	12	11	SK 9022.1 - 90 SP/4	53,1	E108
	58	181	4,8	24,56	8,9	12	12	11,2			
	55	192	4,5	26,07	8,9	12	12	11,4			
	49	215	4,0	29,20	8,8	12	12	11,7			
	45	231	3,6	31,38	8,8	12	12	11,9			
	43	244	3,5	33,26	8,7	12	12	12			
	36	292	2,9	39,77	8,6	12	12	12,5			
	32	329	2,6	44,71	8,4	12	12	12,8			
	29	360	2,4	49,01	8,2	12	11,9	13			
	27	383	2,2	52,02	8,1	12	11,8	13,2			
	25	428	2,0	58,25	7,8	12	11,6	13,5			
	22	488	1,8	66,42	7,4	12	11,4	13,8			
	18	579	1,5	78,89	6,6	12	10,8	14,1			
	17	626	1,4	85,11	6,0	12	10,5	14,3			
	14	727	1,2	98,88		12	9,7	14,6			
	12	850	1,0	115,74		12	8,4	14,6			
	10	1011	0,9	137,57		12	3,7	14,9			
	30	350	4,4	47,70	11,9	14,5	15	14,3	SK 9032.1 - 90 SP/4	73,1	E112
	29	367	4,2	49,94	12,0	14,5	15	14,5			
	24	434	3,6	59,17	11,7	14,5	15	15			
	22	471	3,3	64,08	11,5	14,5	15	15,3			
	19	558	2,8	75,91	11,1	14,5	15	15,8			
	17	618	2,5	84,17	10,8	14,5	15	16,1			
	15	688	2,3	93,50	10,4	14,5	15	16,4			
	13	815	1,9	110,77	9,8	14,5	15	16,9			
	12	865	1,8	117,70	9,5	14,5	15	17			
	10	1025	1,5	139,44	8,5	14,5	15	17,4			
	9	1167	1,3	158,74	7,6	14,5	15	17,6			
	7,6	1383	1,1	188,06	6,1	14,5	14,3	17,9			
	7,2	1452	1,1	197,45	5,5	14,5	13,9	17,9			
	6,1	1720	0,9	233,92		14,5	12,4	18			
	5,7	1837	0,8	249,72		14,5	11,6	17,9			
	8,5	1231	1,3	167,45	7,2	14,5	15	17,7	SK 9033.1 - 90 SP/4	81,1	E114
	6,6	1580	1,0	214,83		14,5	13,2	18			
	17	635	4,4	86,43	17,8	40	28	25,8	SK 9042.1 - 90 SP/4	120,1	E116
	15	702	4,0	95,56	17,7	40	28	26,4			
	12	865	2,8	117,79	17,3	40	28	27,6			
	8,6	1215	1,2	165,24	16,4	40	27,7	29,6			
	7,3	1433	2,0	195,12	15,8	40	26,9	30,3			
	6,1	1725	1,6	235,01	14,9	40	25,9	31,5			
	5,2	2011	1,4	273,73	13,9	40	24,6	31,9			
	4,3	2421	1,2	329,69	12,4	40	23	32,9			

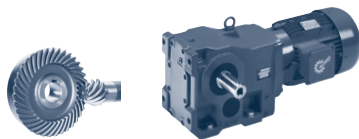
UNICASE™
Helical bevel gear units



P_1 [kW]	n_2 [r/min]	M_2 [Nm]	f_B	i_{total}	F_R [kN]	F_A	$F_{R VL}$ [kN]	$F_{A VL}$	Type	kg	mm E
1,10	8,3	1264	2,2	172,08	16,3	40	27,6	29,8	SK 9043.1 - 90 SP/4	135,1	E118
	7,0	1499	1,9	204,38	15,6	40	26,7	30,8			
	5,1	2049	1,4	279,60	13,8	40	24,6	32,2			
	4,1	2574	1,1	350,72	11,7	40	22,4	33,1			
	3,5	2972	0,9	404,82	9,7	40	20,3	33,1			
	9,8	1067	3,4	145,16	30,3	45	38	45	SK 9052.1 - 90 SP/4	195,1	E120
	5,8	1817	2,6	247,06	29,2	45	38	45			
	4,9	2127	2,3	289,61	28,6	45	38	45			
	8,7	1212	4,0	164,99	30,1	45	38	45	SK 9053.1 - 90 SP/4	213,1	E122
	6,2	1682	2,9	229,07	29,4	45	38	45			
	5,4	1944	2,5	265,11	29,0	45	38	45			
	4,1	2563	1,9	348,91	27,5	45	38	45			
3,1	3372	1,4	458,57	24,9	45	38	45				
2,5	4265	1,1	579,95	20,6	45	35,9	45				
4,6	2278	3,7	311,10	55,2	50	66	50	SK 9072.1/32 - 90 SP/4	369,1	E134	
3,7	2826	3,0	385,88	54,7	50	66	50				
3,0	3459	2,5	473,22	53,9	50	66	50				
2,4	4379	1,9	598,27	52,5	50	66	50				
1,9	5620	1,5	767,55	50,1	50	66	50				
1,5	7143	1,2	973,69	45,9	50	66	50				
1,2	8567	1,0	1169,97	40,6	50	66	50				
5,3	1979	4,3	269,39	55,4	50	66	50	SK 9072.1/42 - 90 SP/4	386,1	E134	
3,8	2791	4,7	379,59	67,3	60	95	60	SK 9082.1/42 - 90 SP/4	646,1	E134	
3,2	3264	4,0	443,41	66,6	60	95	60				
2,4	4429	2,9	603,37	65,0	60	95	60				
2,0	5179	2,5	704,48	63,8	60	95	60				
1,7	6210	2,1	845,38	62,1	60	95	60				
1,4	7478	1,7	1017,77	59,8	60	95	60				
1,0	10780	1,2	1467,80	52,8	60	95	60				
0,8	13310	1,0	1812,59	46,3	60	95	60				
0,7	15035	0,9	2044,65	41,2	60	95	60				
2,3	4581	4,4	623,16	103,7	65	120	65	SK 9086.1/52 - 90 SP/4	921,1	E134	
2,0	5251	3,8	714,15	103,3	65	120	65				
1,6	6683	3,0	907,88	102,2	65	120	65				
1,2	8842	2,3	1202,18	100,0	65	120	65				
1,0	10748	1,9	1463,40	97,5	65	120	65				
0,8	13123	1,5	1786,05	93,3	65	120	65				
0,7	15530	1,3	2107,43	88,1	65	120	65				
0,5	22175	0,9	3007,66	67,7	65	120	65				
1,3	8222	3,9	1120,00	100,2	70	160	70	SK 9092.1/52 - 90 SP/4	1491,1	E134	
1,0	10465	3,1	1424,80	96,2	70	160	70				
0,8	13186	2,4	1795,36	91,1	70	158,3	70				
0,7	15531	2,1	2116,80	86,4	70	152,6	70				
0,5	21401	1,2	2902,00	72,2	70	135,8	70				
0,4	26117	1,0	3551,65	59,8	70	122,1	70				
0,3	36239	0,9	4916,63	28,4	70	91,3	70				

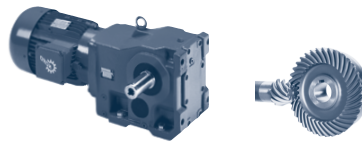
UNICASE™
Helical bevel gear units


1,10 kW
1,50 kW



P_1 [kW]	n_2 [r/min]	M_2 [Nm]	f_B	i_{total}	F_R [kN]	F_A	$F_{R VL}$ [kN]	$F_{A VL}$	Type	kg	mm E			
1,10	0,8	13033	3,8	1774,21	163,4	100			SK 9096.1/63 - 90 SP/4	1890,1	E135			
	0,7	15074	3,3	2052,10	161,0	100								
	0,6	17014	2,9	2316,27	158,4	100								
	0,5	19679	2,5	2679,06	155,1	100								
	0,4	23580	2,1	3210,12	149,7	100								
	0,4	27124	1,8	3692,48	144,3	100								
	0,3	32625	1,5	4441,42	135,8	100								
	0,3	40957	1,2	5575,65	122,3	100								
	0,2	49264	1,0	6706,55	106,9	100								
	0,2	57607	0,9	7842,34	89,7	100								
	0,2	61017	0,8	8306,57	82,1	100								
1,50	175	81,9	2,2	8,09	6,9	14	9	14	SK 9012.1 - 90 LP/4	46,7	E100			
	153	93,8	2,1	9,23	6,9	14,5	9	14,5						
	130	110	1,8	10,85	6,9	15,1	9	15,1						
	115	124	1,8	12,23	6,8	15,5	9	15,5						
	93	155	2,5	15,30	6,7	16,5	9	16,5						
	81	177	2,1	17,45	6,6	17	9	17						
	68	212	1,9	20,87	6,5	17,8	9	17,8						
	58	248	1,6	24,53	6,2	18,4	9	18,4						
	51	281	1,4	27,65	6,0	18,9	8,9	18,9						
	45	319	1,3	31,45	5,7	19,3	8,7	19,3						
	41	353	1,1	34,81	5,3	19,6	8,5	19,6						
	34	422	0,9	41,65	3,1	20	8	20						
	29	495	0,8	48,95		20	7,2	20						
	113	126	4,1	12,51	8,2	15,7	9	15,7				SK 9016.1 - 90 LP/4	47,7	E104
	93	155	3,4	15,10	8,1	16,5	9	16,5						
	81	177	3,1	17,45	8,0	17	9	17						
	69	208	2,8	20,51	7,9	17,7	9	17,7						
	61	234	2,2	23,11	7,8	18,1	9	18,1						
	54	266	2,3	26,29	7,7	18,6	9	18,6						
	46	308	1,9	30,52	7,5	19,1	9	19,1						
41	353	1,7	34,81	7,3	19,6	9	19,6							
35	414	1,5	40,92	7,1	20	9	20							
31	467	1,3	46,11	6,8	20	9	20							
27	531	1,1	52,44	6,5	20	9	20							
22	649	0,9	63,97	5,5	20	9	20							
20	728	0,8	71,88		20	9	20							
127	112	4,6	11,13	7,3	12	12	9	SK 9022.1 - 90 LP/4	54,7	E108				
113	127	4,3	12,51	7,6	12	12	9,2							
97	148	3,9	14,56	7,9	12	12	9,6							
87	165	3,8	16,30	8,1	12	12	9,8							
81	177	4,1	17,52	8,2	12	12	10							
71	202	3,8	19,93	8,6	12	12	10,4							
63	228	3,4	22,41	8,8	12	12	10,7							
58	249	3,5	24,56	8,7	12	12	10,8							
54	265	3,2	26,07	8,7	12	12	11							
48	296	2,9	29,20	8,5	12	12	11,3							
45	318	2,6	31,38	8,4	12	12	11,4							
43	337	2,6	33,26	8,4	12	12	11,5							
36	402	2,1	39,77	8,0	12	11,8	11,9							
32	454	1,9	44,71	7,7	12	11,5	12,2							
29	496	1,7	49,01	7,3	12	11,3	12,3							
27	527	1,6	52,02	7,1	12	11,1	12,4							

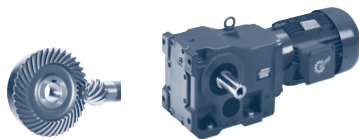
UNICASE™
Helical bevel gear units



P_1 [kW]	n_2 [r/min]	M_2 [Nm]	f_B	i_{total}	F_R [kN]	F_A	$F_{R VL}$ [kN]	$F_{A VL}$ [kN]	Type	kg	mm 
1,50	24	590	1,5	58,25	6,4	12	10,8	12,6	SK 9022.1 - 90 LP/4	54,7	E108
	21	673	1,3	66,42	4,5	12	10,1	12,8			
	18	798	1,1	78,89		12	9,0	13,0			
	17	863	1,0	85,11		12	8,2	13,0			
	14	1001	0,9	98,88		12	4,4	13,1			
	48	300	5,0	29,66	10,2	14,5	15	12,5	SK 9032.1 - 90 LP/4	74,7	E112
	40	361	4,3	35,61	10,6	14,5	15	13,0			
	37	386	4,0	38,05	10,8	14,5	15	13,2			
	35	409	3,8	40,36	10,9	14,5	15	13,4			
	30	483	3,2	47,70	11,3	14,5	15	13,8			
	28	506	3,1	49,94	11,3	14,5	15	13,9			
	24	599	2,6	59,17	10,9	14,5	15	14,4			
	22	649	2,4	64,08	10,6	14,5	15	14,5			
	19	769	2,0	75,91	10,0	14,5	15	14,9			
	17	852	1,8	84,17	9,6	14,5	15	15,1			
	15	948	1,6	93,50	9,0	14,5	15	15,3			
	13	1123	1,4	110,77	7,9	14,5	15	15,6			
	12	1192	1,3	117,70	7,4	14,5	15	15,6			
	10	1412	1,1	139,44	5,8	14,5	14,2	15,8			
	8,9	1609	1,0	158,74		14,5	13,0	15,7			
	7,5	1905	0,8	188,06		14,5	11,3	15,7			
	25	564	5,0	55,69	18,0	40	28	22,6	SK 9042.1 - 90 LP/4	121,7	E116
	22	640	4,4	63,25	17,8	40	28	23,2			
	21	694	4,0	68,61	17,7	40	28	23,7			
	19	770	3,6	76,18	17,5	40	28	24,3			
	16	876	3,2	86,43	17,3	40	28	24,9			
	15	967	2,9	95,56	17,1	40	28	25,4			
	12	1193	2,0	117,79	16,5	40	27,8	26,5			
	8,6	1674	0,9	165,24	15,1	40	26,1	28,0			
	7,3	1975	1,4	195,12	14,0	40	24,8	28,3			
	6,0	2377	1,2	235,01	12,6	40	23,2	29,1			
	5,2	2772	1,0	273,73	10,7	40	21,3	29,1			
	4,3	3336	0,8	329,69	7,8	40	18,6	29,6			
	8,2	1742	1,6	172,08	14,9	40	25,8	28,1	SK 9043.1 - 90 LP/4	136,7	E118
	6,9	2066	1,4	204,38	13,8	40	24,6	28,7			
	5,1	2824	1,0	279,60	10,6	40	21,2	29,4			
	14	1038	4,6	102,40	30,3	45	38	45	SK 9052.1 - 90 LP/4	196,7	E120
	12	1215	4,0	120,03	30,1	45	38	45			
	9,7	1471	2,4	145,16	29,8	45	38	45			
	5,7	2504	1,9	247,06	27,7	45	38	45			
	4,9	2932	1,6	289,61	26,5	45	38	45			
	8,6	1670	2,9	164,99	29,5	45	38	45	SK 9053.1 - 90 LP/4	214,7	E122
	6,2	2318	2,1	229,07	28,2	45	38	45			
	5,3	2679	1,8	265,11	27,2	45	38	45			
	4,1	3531	1,4	348,91	24,2	45	38	45			
	3,1	4647	1,0	458,57	18,0	45	34,5	45			
	4,6	3139	2,7	311,10	54,3	50	66	50	SK 9072.1/32 - 90 LP/4	370,7	E134
	3,7	3895	2,2	385,88	53,3	50	66	50			
	3,0	4767	1,8	473,22	51,8	50	66	50			
	2,4	6034	1,4	598,27	49,1	50	66	50			
	1,8	7745	1,1	767,55	43,9	50	66	50			
	1,5	9844	0,9	973,69	34,2	50	66	50			

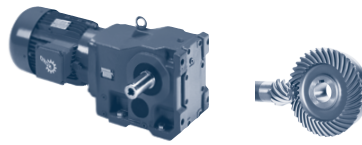
UNICASE™
Helical bevel gear units

1,50 kW
2,20 kW



P_1 [kW]	n_2 [r/min]	M_2 [Nm]	f_B	i_{total}	F_R [kN]	F_A	$F_{R VL}$ [kN]	$F_{A VL}$	Type	kg	mm E134		
1,50	11	1360	4,6	134,14	55,8	50	66	50	SK 9072.1/42 - 90 LP/4	387,7	E134		
	9	1590	4,0	156,70	55,7	50	66	50					
	7,2	1987	3,7	196,12	55,4	50	66	50					
	5,3	2727	3,1	269,39	54,8	50	66	50					
	4,9	2895	4,5	285,05	67,1	60	95	60	SK 9082.1/42 - 90 LP/4	647,7	E134		
	3,7	3847	3,4	379,59	65,8	60	95	60					
	3,2	4498	2,9	443,41	64,9	60	95	60					
	2,3	6103	2,1	603,37	62,3	60	95	60					
	2	7137	1,8	704,48	60,4	60	95	60					
	1,7	8558	1,5	845,38	57,7	60	95	60					
	1,4	10305	1,3	1017,77	53,9	60	95	60					
	1	14855	0,9	1467,80	41,8	60	95	60					
	2,3	6313	3,2	623,16	102,5	65	120	65	SK 9086.1/52 - 90 LP/4	922,7	E134		
	2	7236	2,8	714,15	101,7	65	120	65					
	1,6	9210	2,2	907,88	99,6	65	120	65					
	1,2	12185	1,6	1202,18	95,2	65	120	65					
	1	14812	1,4	1463,40	89,7	65	120	65					
	0,8	18085	1,1	1786,05	82,1	65	120	65					
	0,7	21401	0,9	2107,43	70,9	65	120	65					
	2	7152	4,5	706,40	102,0	70	160	70	SK 9092.1/52 - 90 LP/4	1492,7	E134		
1,7	8564	3,7	846,40	99,6	70	160	70						
1,3	11331	2,8	1120,00	94,6	70	160	70						
1	14421	2,2	1424,80	88,7	70	155,3	70						
0,8	18172	1,8	1795,36	80,7	70	145,8	70						
0,7	21403	1,5	2116,80	73,2	70	137,2	70						
0,5	29493	0,9	2902,00	49,9	70	111,6	70						
0,8	17960	2,8	1774,21	157,1	100			SK 9096.1/63 - 90 LP/4	1891,7	E135			
0,7	20773	2,4	2052,10	153,6	100								
0,6	23447	2,1	2316,27	149,6	100								
0,5	27120	1,8	2679,06	144,6	100								
0,4	32496	1,5	3210,12	136,4	100								
0,4	37379	1,3	3692,48	128,0	100								
0,3	44960	1,1	4441,42	114,6	100								
0,3	56442	0,9	5575,65	92,2	100								
181	116	1,6	8,09	6,9	13,5	9	13,5				SK 9012.1 - 100 LP/4	58	E100
158	133	1,5	9,23	6,8	13,9	9	13,9						
135	156	1,3	10,85	6,7	14,4	9	14,4						
119	176	1,3	12,23	6,6	14,7	9	14,7						
96	219	1,7	15,30	6,4	15,7	9	15,7						
84	251	1,5	17,45	6,2	16,1	9	16,1						
70	300	1,3	20,87	5,8	16,7	8,8	16,7						
60	352	1,1	24,53	5,3	17,2	8,5	17,2						
53	398	1,0	27,65	4,2	17,5	8,2	17,5						
47	451	0,9	31,45		17,8	7,7	17,8						
42	500	0,8	34,81		17,8	7,2	17,8						
117	179	2,9	12,51	8,0	15	9	15	SK 9016.1 - 100 LP/4	59	E104			
96	219	2,4	15,10	7,9	15,7	9	15,7						
84	251	2,2	17,45	7,8	16,1	9	16,1						
71	294	2,0	20,51	7,6	16,6	9	16,6						

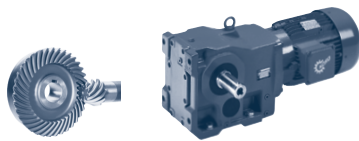
UNICASE™
Helical bevel gear units



P_1 [kW]	n_2 [r/min]	M_2 [Nm]	f_B	i_{total}	F_R [kN]	F_A	$F_{R VL}$ [kN]	$F_{A VL}$	Type	kg	mm E
2,20	63	332	1,6	23,11	7,4	16,9	9	16,9	SK 9016.1 - 100 LP/4	59	E104
	56	377	1,6	26,29	7,2	17,2	9	17,2			
	48	436	1,4	30,52	7,0	17,6	9	17,6			
	42	500	1,2	34,81	6,7	17,8	9	17,8			
	36	586	1,0	40,92	6,2	18,1	9	18,1			
	32	662	0,9	46,11	5,0	18,2	9	18,2			
	28	752	0,8	52,44		18,3	9	18,3			
	167	126	3,8	8,78	6,6	11,1	12	8,1	SK 9022.1 - 100 LP/4	66	E108
	132	159	3,3	11,13	6,9	11,8	12	8,6			
	117	180	3,0	12,51	7,1	12	12	8,8			
	101	209	2,8	14,56	7,3	12	12	9,1			
	90	234	2,7	16,30	7,5	12	12	9,3			
	84	251	2,9	17,52	7,6	12	12	9,4			
	74	286	2,7	19,93	8,0	12	12	9,8			
	65	322	2,4	22,41	8,1	12	12	10			
	60	352	2,4	24,56	8,2	12	11,9	10,1			
	56	375	2,3	26,07	8,2	12	11,9	10,3			
	50	419	2,1	29,20	7,9	12	11,7	10,5			
	47	451	1,8	31,38	7,7	12	11,5	10,6			
	44	477	1,8	33,26	7,5	12	11,4	10,6			
	37	569	1,5	39,77	6,7	12	10,9	10,9			
	33	642	1,3	44,71	5,7	12	10,4	11			
	30	703	1,2	49,01	2,8	12	9,9	10,9			
	28	747	1,2	52,02		12	9,5	11,1			
	25	835	1,0	58,25		12	8,6	11,1			
	22	953	0,9	66,42		12	6,9	11,1			
	61	343	4,5	23,91	9,1	14,5	15	11,3	SK 9032.1 - 100 LP/4	86	E112
	58	359	4,2	25,03	9,1	14,5	15	11,4			
	49	426	3,5	29,66	9,4	14,5	15	11,8			
	41	511	3,0	35,61	9,7	14,5	15	12,2			
	38	546	2,8	38,05	9,8	14,5	15	12,3			
	36	579	2,7	40,36	9,9	14,5	15	12,5			
	31	684	2,3	47,70	10,1	14,5	15	12,8			
	29	716	2,2	49,94	10,1	14,5	15	12,8			
	25	848	1,8	59,17	9,6	14,5	15	13,1			
	23	919	1,7	64,08	9,1	14,5	15	13,1			
	19	1089	1,4	75,91	8,1	14,5	15	13,3			
	17	1207	1,3	84,17	7,3	14,5	15	13,4			
	16	1343	1,2	93,50	6,3	14,5	14,5	13,3			
	13	1591	1,0	110,77		14,5	13,2	13,3			
	36	582	4,8	40,54	17,9	40	28	20,1	SK 9042.1 - 100 LP/4	133	E116
	31	683	4,1	47,67	17,7	40	28	20,8			
	26	798	3,5	55,69	17,5	40	28	21,5			
	23	906	3,1	63,25	17,2	40	28	21,9			
	21	983	2,8	68,61	17,0	40	28	22,3			
	19	1091	2,6	76,18	16,8	40	28	22,8			
	17	1240	2,3	86,43	16,4	40	27,6	23,3			
	15	1370	2,0	95,56	16,0	40	27,2	23,6			
	12	1689	1,4	117,79	15,1	40	26	24,3			
	11	1905	1,5	132,79	14,3	40	25,1	24,4			
	9,2	2293	1,2	159,94	12,9	40	23,6	24,9			
	7,5	2798	1,0	195,12	10,6	40	21,1	24,8			
	6,2	3368	0,8	235,01	7,6	40	18,4	25			

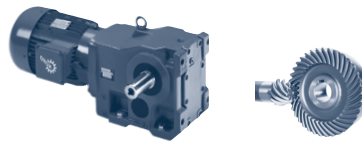
UNICASE™
Helical bevel gear units

2,20 kW



P_1 [kW]	n_2 [r/min]	M_2 [Nm]	f_B	i_{total}	F_R [kN]	F_A	$F_{R VL}$ [kN]	$F_{A VL}$ [kN]	Type	kg	mm E
2,20	8,5	2468	1,1	172,08	12,2	40	22,8	25	SK 9043.1 - 100 LP/4	148	E118
	7,2	2927	1,0	204,38	10,0	40	20,7	25,1			
	20	1035	4,6	72,24	30,3	45	38	45	SK 9052.1 - 100 LP/4	208	E120
	17	1264	3,8	88,17	30,0	45	38	45			
	14	1470	3,3	102,40	29,8	45	38	45			
	12	1721	2,8	120,03	29,4	45	38	45			
	10	2084	1,7	145,16	28,7	45	38	45			
	8,6	2430	2,0	169,24	27,9	45	38	45			
	7,4	2845	1,7	198,38	26,7	45	38	45			
	5,9	3547	1,4	247,06	24,2	45	38	45			
	5,1	4153	1,2	289,61	21,2	45	36,3	45			
	8,9	2366	2,0	164,99	28,0	45	38	45	SK 9053.1 - 100 LP/4	226	E122
	6,4	3284	1,5	229,07	25,2	45	38	45			
	5,5	3795	1,3	265,11	23,1	45	37,4	45			
	4,2	5003	1,0	348,91	15,0	45	33	45			
	11	1960	3,4	136,88	55,5	50	66	50	SK 9072.1 - 100 LP/4	348	E124
	7,1	2968	2,9	206,84	54,5	50	66	50			
	6,0	3521	2,4	245,76	53,8	50	66	50			
	4,7	4447	1,9	311,10	52,4	50	66	50	SK 9072.1/32 - 100 LP/4	382	E134
	3,8	5517	1,5	385,88	50,3	50	66	50			
	3,1	6753	1,3	473,22	47,1	50	66	50			
	2,5	8548	1,0	598,27	40,7	50	66	50			
	11	1926	3,2	134,14	55,5	50	66	49	SK 9072.1/42 - 100 LP/4	399	E134
	9,3	2252	2,8	156,70	55,2	50	66	50			
	7,5	2815	2,6	196,12	54,7	50	66	50			
	5,4	3864	2,2	269,39	53,4	50	66	50			
	5,1	4102	3,2	285,05	65,4	60	95	60	SK 9082.1/42 - 100 LP/4	659	E134
	3,9	5449	2,4	379,59	63,3	60	95	60			
	3,3	6372	2,0	443,41	61,8	60	95	60			
	2,4	8646	1,5	603,37	57,5	60	95	60			
	2,1	10110	1,3	704,48	54,3	60	95	60			
	1,7	12123	1,1	845,38	49,5	60	95	60			
	1,4	14598	0,9	1017,77	42,6	60	95	60			
	8,0	2615	5,0	182,09	67,5	60	95	60			
	5,9	3534	3,7	245,62	66,3	60	95	60			
	3,9	5442	3,7	378,14	103,1	65	120	65	SK 9086.1/52 - 100 LP/4	934	E134
	3,4	6237	3,2	433,35	102,5	65	120	65			
	2,3	8943	2,2	623,16	99,9	65	120	65			
	2,0	10251	2,0	714,15	98,2	65	120	65			
	1,6	13047	1,5	907,88	93,4	65	120	65			
	1,2	17262	1,2	1202,18	84,2	65	120	65			
	1,0	20983	1,0	1463,40	72,5	65	120	65			
	2,4	8744	3,7	608,12	99,3	70	160	70	SK 9092.1/52 - 100 LP/4	1504	E134
	2,1	10132	3,2	706,40	96,8	70	160	70			
	1,7	12132	2,6	846,40	93,1	70	160	70			
	1,3	16051	2,0	1120,00	85,3	70	151,3	70			
	1,0	20429	1,6	1424,80	75,5	70	139,9	70			
	0,8	25743	1,2	1795,36	62,0	70	124,9	70			
	0,7	30320	1,1	2116,80	48,7	70	111	70			

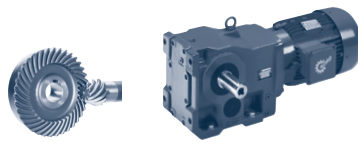
UNICASE™
Helical bevel gear units



P_1 [kW]	n_2 [r/min]	M_2 [Nm]	f_B	i_{total}	F_R [kN]	F_A	$F_{R VL}$ [kN]	$F_{A VL}$	Type	kg	mm				
2,20	2,1	10078	5,0	702,80	167,1	100			SK 9096.1/62 - 100 LP/4	1894	E135				
	1,8	11710	4,3	816,57	165,2	100									
	1,5	14044	3,6	979,31	162,3	100									
	1,3	16710	3,0	1165,22	158,9	100									
	1,1	19415	2,6	1353,86	155,4	100									
	0,9	23284	2,1	1623,67	150,1	100									
	0,8	25443	2,0	1774,21	146,8	100									
	0,7	29428	1,7	2052,10	141,1	100									
	0,6	33216	1,5	2316,27	134,9	100									
	0,5	38418	1,3	2679,06	126,7	100									
	0,5	46034	1,1	3210,12	113,1	100									
	0,4	52951	0,9	3692,48	99,0	100									
	3,00	181	159	1,1	8,09	6,7	13	9				13	SK 9012.1 - 100 AP/4	58	E100
		158	182	1,1	9,23	6,6	13,3	9				13,3			
134		213	0,9	10,85	6,5	13,7	9	13,7							
119		241	0,9	12,23	6,3	14	9	14,0							
96		300	1,3	15,03	5,8	14,9	8,8	14,9							
83		343	1,1	17,45	5,4	15,2	8,6	15,2							
70		411	1,0	20,87	3,7	15,6	8,1	15,6							
59		482	0,8	24,53		15,9	7,4	15,9							
117		245	2,1	12,51	7,8	14,3	9	14,3							
96		300	1,7	15,10	7,6	14,9	9	14,9							
83		343	1,6	17,45	7,4	15,2	9	15,2							
71		402	1,4	20,51	7,1	15,5	9	15,5							
63		454	1,1	23,11	6,9	15,7	9	15,7							
56		516	1,2	26,29	6,6	15,8	9	15,8							
48		597	1,0	30,52	6,2	16	9	16,0							
42		684	0,9	34,81	4,0	16	9	16,0							
166		173	2,8	8,78	6,2	10,7	12	7,9							
131		218	2,4	11,13	6,5	11,2	12	8,2							
116		246	2,2	12,51	6,7	11,4	12	8,4							
100		286	2,0	14,56	6,8	11,7	12	8,6							
90		320	1,9	16,30	6,9	11,9	12	8,8							
83		344	2,1	17,52	7,0	12	12	8,9							
73		391	1,9	19,93	7,3	12	11,8	9,2							
65		441	1,8	22,41	7,4	12	11,6	9,4							
59		482	1,8	24,56	7,4	12	11,4	9,4							
56		513	1,7	26,07	7,2	12	11,2	9,5							
50		573	1,5	29,20	6,6	12	10,9	9,6							
46		617	1,3	31,38	6,1	12	10,6	9,7							
44		653	1,3	33,26	5,3	12	10,3	9,6							
37		779	1,1	39,77		12	9,2	9,7							
33		879	1,0	44,71		12	8,0	9,7							
30		961	0,9	49,01		12	6,6	9,5							
28		1022	0,8	52,02		12	2,5	9,6							
136		211	4,3	10,73	7,1	12,2	15	9,0							
115	249	4,0	12,68	7,3	12,7	15	9,4								
91	315	4,4	16,04	7,9	13,6	15	10,0								
85	336	4,3	17,08	7,9	13,8	15	10,1								
72	397	3,8	20,23	8,2	14,3	15	10,5								
61	469	3,3	23,91	8,4	14,5	15	10,8								
									SK 9032.1 - 100 AP/4	86	E112				

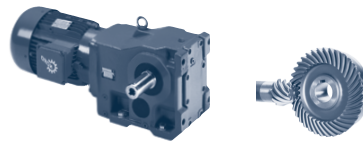
UNICASE™
Helical bevel gear units



3,00 kW



P_1 [kW]	n_2 [r/min]	M_2 [Nm]	f_B	i_{total}	F_R [kN]	F_A	$F_{R VL}$ [kN]	$F_{A VL}$	Type	kg	mm E
3,00	58	492	3,1	25,03	8,5	14,5	15	10,8	SK 9032.1 - 100 AP/4	86	E112
	49	582	2,6	29,66	8,7	14,5	15	11,1			
	41	700	2,2	35,61	8,8	14,5	15	11,3			
	38	747	2,1	38,05	8,9	14,5	15	11,5			
	36	792	2,0	40,36	8,9	14,5	15	11,5			
	31	935	1,7	47,70	8,9	14,5	15	11,7			
	29	980	1,6	49,94	8,8	14,5	15	11,6			
	25	1161	1,3	59,17	7,7	14,5	15	11,7			
	23	1258	1,2	64,08	6,9	14,5	14,9	11,6			
	19	1490	1,0	75,91	4,7	14,5	13,7	11,6			
	17	1651	0,9	84,17		14,5	12,8	11,5			
	16	1838	0,8	93,50		14,3	11,6	11,1			
		46	622	4,5	31,70	17,8	40	28			
	42	675	4,2	34,39	17,7	40	28	18,7			
	36	796	3,5	40,54	17,5	40	28	19,3			
	31	934	3,0	47,67	17,2	40	28	19,9			
	26	1092	2,6	55,69	16,8	40	28	20,4			
	23	1240	2,3	63,25	16,3	40	27,6	20,6			
	21	1344	2,1	68,61	16,1	40	27,3	21			
	19	1493	1,9	76,18	15,7	40	26,8	21,3			
	17	1697	1,6	86,43	15,0	40	26,0	21,6			
	15	1875	1,5	95,56	14,4	40	25,3	21,7			
	12	2312	1,0	117,79	12,8	40	23,5	21,9			
	11	2607	1,1	132,79	11,5	40	22,0	21,7			
	9,1	3138	0,9	159,94	8,9	40	19,6	21,8			
	8,5	3376	0,8	172,08	7,5	40	18,4	21,6	SK 9043.1 - 100 AP/4	148	E118
	27	1070	4,5	54,56	30,3	45	38	45	SK 9052.1 - 100 AP/4	208	E120
	23	1225	3,9	62,42	30,1	45	38	45			
	20	1416	3,4	72,24	29,8	45	38	45			
	17	1729	2,8	88,17	29,4	45	38	45			
	14	2011	2,4	102,40	28,8	45	38	45			
	12	2355	2,0	120,03	28,1	45	38	45			
	10	2851	1,3	145,16	26,7	45	38	45			
	8,6	3324	1,4	169,24	25,1	45	38	45			
	7,4	3892	1,2	198,38	22,6	45	37,1	45			
	5,9	4854	1,0	247,06	16,3	45	33,7	45			
	5	5683	0,8	289,61	3,8	45	29,7	45			
	8,8	3238	1,5	164,99	25,4	45	38	45	SK 9053.1 - 100 AP/4	226	E122
	6,4	4493	1,1	229,07	19,1	45	35,1	45			
	5,5	5193	0,9	265,11	13,0	45	32,2	45			
	16	1794	4,7	91,47	55,6	50	66	46,2	SK 9072.1 - 100 AP/4	348	E124
	13	2160	3,9	110,18	55,3	50	66	48,4			
	11	2681	2,5	136,88	54,8	50	66	50			
	7,1	4061	2,1	206,84	53,1	50	66	50			
	5,9	4818	1,8	245,76	51,7	50	66	50			
	4,7	6085	1,4	311,10	48,9	50	66	50	SK 9072.1/32 - 100 AP/4	382	E134
	3,8	7549	1,1	385,88	44,6	50	66	50			
	3,1	9240	0,9	473,22	37,5	50	66	50			

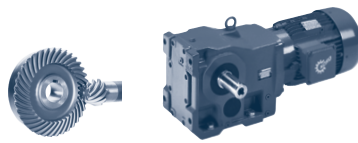
UNICASE™
Helical bevel gear units



P_1 [kW]	n_2 [r/min]	M_2 [Nm]	f_B	i_{total}	F_R [kN]	F_A	$F_{R VL}$ [kN]	$F_{A VL}$ [kN]	Type					
3,00	11	2635	2,4	134,14	54,9	50	66	47,7	SK 9072.1/42 - 100 AP/4	399	E134			
	9,3	3082	2,1	156,70	54,4	50	66	49,4						
	7,4	3852	1,9	196,12	53,4	50	66	50						
	5,4	5287	1,6	269,39	50,8	50	66	50						
		5,1	5612	2,3	285,05	63,1	60	95	60	SK 9082.1/42 - 100 AP/4	659	E134		
		3,8	7456	1,7	379,59	59,8	60	95	60					
		3,3	8719	1,5	443,41	57,3	60	95	60					
		2,4	11830	1,1	603,37	50,2	60	95	60					
		2,1	13834	0,9	704,48	44,8	60	95	60					
		12	2426	4,9	123,13	67,8	60	95	60				SK 9082.1/52 - 100 AP/4	684
	10	2872	4,5	146,19	67,2	60	95	60						
	8	3578	3,6	182,09	66,2	60	95	60						
5,9	4836	2,7	245,62	64,3	60	95	60							
	6,2	4638	4,3	235,93	103,6	65	120	65	SK 9086.1/52 - 100 AP/4	934	E134			
	5,4	5334	3,7	270,47	103,2	65	120	65						
	3,8	7446	2,7	378,14	101,5	65	120	65						
	3,4	8535	2,3	433,35	100,3	65	120	65						
	2,3	12237	1,6	623,16	95,1	65	120	65						
	2	14026	1,4	714,15	91,4	65	120	65						
	1,6	17852	1,1	907,88	82,8	65	120	65						
	1,2	23619	0,8	1202,18	61,0	65	118,5	65						
	3,8	7579	4,2	385,67	101,3	70	160	70				SK 9092.1/52 - 100 AP/4	1504	E134
	3,3	8676	3,7	441,46	99,4	70	160	70						
2,4	11965	2,7	608,12	93,5	70	160	70							
2,1	13864	2,3	706,40	89,8	70	156,7	70							
1,7	16600	1,9	846,40	84,1	70	149,9	70							
1,3	21963	1,5	1120,00	71,8	70	135,7	70							
1	27953	1,1	1424,80	55,8	70	118,3	70							
0,8	35224	0,9	1795,36	32,2	70	94,9	70							
	2,7	10563	4,7	538,33	166,5	100			SK 9096.1/62 - 100 AP/4	1894	E135			
	2,4	11923	4,2	607,63	164,8	100								
	2,1	13790	3,6	702,80	162,6	100								
	1,8	16023	3,1	816,57	159,8	100								
	1,5	19216	2,6	979,31	155,7	100								
	1,3	22864	2,2	1165,22	150,7	100								
	1,1	26565	1,9	1353,86	145,4	100								
	0,9	31859	1,6	1623,67	137,4	100								
	0,8	34813	1,4	1774,21	132,3	100						SK 9096.1/63 - 100 AP/4	1903	E135
0,7	40266	1,2	2052,10	123,5	100									
0,6	45450	1,1	2316,27	113,7	100									
0,5	52568	1,0	2679,06	100,3	100									
4,00	178	215	0,8	8,09	6,4	12,4	9,0	12,4	SK 9012.1 - 112 MP/4	65,5	E100			
	94	405	0,9	15,30	3,9	13,9	8,1	13,9						
	82	464	0,8	17,45		14,0	7,6	14,0						
		115	331	1,6	12,51	7,4	13,4	9	13,4	SK 9016.1 - 112 MP/4	66,5	E104		
		94	405	1,3	15,10	7,1	13,9	9	13,9					
		82	464	1,2	17,45	6,8	14,0	9	14,0					
		70	544	1,1	20,51	6,4	14,1	9	14,1					
		62	614	0,8	23,11	6,1	14,1	9	14,1					
		55	698	0,9	26,29	3,1	14,1	9	14,1					

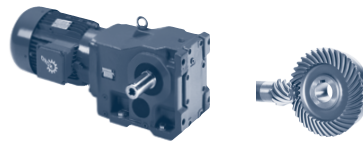
UNICASE™
Helical bevel gear units

4,00 kW



P_1 [kW]	n_2 [r/min]	M_2 [Nm]	f_B	i_{total}	F_R [kN]	F_A	$F_{R VL}$ [kN]	$F_{A VL}$	Type	kg	mm E
4,00	164	233	2,1	8,78	5,9	10,1	12	7,5	SK 9022.1 - 112 MP/4	73,5	E108
	130	295	1,8	11,13	6,1	10,4	12	7,8			
	115	332	1,6	12,51	6,1	10,6	12	7,9			
	99	387	1,5	14,56	6,2	10,7	11,8	8,1			
	88	432	1,4	16,30	6,2	10,8	11,6	8,1			
	82	465	1,5	17,52	6,2	10,9	11,5	8,2			
	72	528	1,4	19,93	6,5	11,4	11,1	8,5			
	64	596	1,3	22,41	6,4	11,4	10,7	8,6			
	59	652	1,3	24,56	5,4	11,2	10,3	8,5			
	55	693	1,2	26,07	3,4	11,3	10,0	8,6			
	49	775	1,1	29,20		11,2	9,2	8,6			
	46	834	1,0	31,38		11,1	8,6	8,5			
	43	883	1,0	33,26		10,8	8,0	8,4			
	36	1053	0,8	39,77		10,6		8,3			
	169	226	3,9	8,48	6,4	10,9	15	8,3	SK 9032.1 - 112 MP/4	93,5	E112
	134	285	3,2	10,73	6,7	11,6	15	8,7			
	114	336	3,0	12,68	6,9	12	15	9,0			
	106	359	3,8	13,49	7,1	12,4	15	9,3			
	90	425	3,3	16,04	7,4	12,8	15	9,6			
	84	454	3,2	17,08	7,4	12,9	15	9,6			
	71	537	2,8	20,23	7,6	13,2	15	9,9			
	60	634	2,4	23,91	7,7	13,5	15	10,1			
	57	665	2,3	25,03	7,6	13,5	15	10,1			
	49	787	1,9	29,66	7,7	13,7	15	10,3			
	40	946	1,6	35,61	7,6	13,6	15	10,3			
	38	1010	1,5	38,05	7,6	13,6	15	10,4			
	36	1071	1,4	40,36	7,6	13,6	15	10,4			
	30	1265	1,2	47,70	6,9	13,3	15	10,3			
	29	1325	1,2	49,94	6,4	13	14,6	10,2			
	24	1569	1,0	59,17		12,6	13,3	10,0			
	22	1700	0,9	64,08		12,1	12,4	9,7			
	126	303	4,9	11,40	18,4	32,4	28	14,0	SK 9042.1 - 112 MP/4	140,5	E116
	92	416	4,8	15,66	18,2	35,1	28	15,1			
	71	540	4,8	20,32	18,0	37,7	28	16,2			
	60	634	4,3	23,89	17,8	39,1	28	16,7			
	52	741	3,8	27,91	17,6	40	28	17,2			
	45	841	3,3	31,70	17,3	40	28	17,5			
	42	912	3,1	34,39	17,2	40	28	17,9			
	36	1076	2,6	40,54	16,8	40	28	18,3			
	30	1263	2,2	47,67	16,3	40	27,6	18,7			
	26	1477	1,9	55,69	15,7	40	26,8	19,0			
	23	1677	1,7	63,25	15,0	40	26,0	19,0			
	21	1818	1,5	68,61	14,6	40	25,5	19,3			
	19	2018	1,4	76,18	13,9	40	24,7	19,4			
	17	2295	1,2	86,43	12,9	40	23,6	19,4			
	15	2535	1,1	95,56	11,9	40	22,5	19,3			
	40	960	5,0	36,21	30,4	45	38	42,8	SK 9052.1 - 112 MP/4	215,5	E120
	36	1054	4,6	39,72	30,3	45	38	43,8			
	32	1194	4,0	44,96	30,1	45	38	45			
	26	1447	3,3	54,56	29,8	45	38	45			
	23	1657	2,9	62,42	29,5	45	38	45			
	20	1915	2,5	72,24	29,0	45	38	45			
	16	2337	2,1	88,17	28,1	45	38	45			

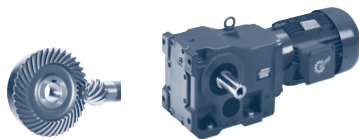
UNICASE™
Helical bevel gear units



P_1 [kW]	n_2 [r/min]	M_2 [Nm]	f_B	i_{total}	F_R [kN]	F_A	$F_{R VL}$ [kN]	$F_{A VL}$	Type	kg	mm E
4,00	14	2719	1,8	102,40	27,1	45	38,0	45	SK 9052.1 - 112 MP/4	215,5	E120
	12	3183	1,5	120,03	25,6	45	38,0	45			
	9,9	3854	0,9	145,16	22,8	45	37,2	45			
	8,5	4494	1,1	169,24	19,1	45	35,1	45			
	7,3	5262	0,9	198,38	12,2	45	31,9	45			
8,7	4377	1,1	164,99	19,9	45	35,5	45	SK 9053.1 - 112 MP/4	233,5	E122	
21	1859	4,6	70,22	55,5	50	66	42,5	SK 9072.1 - 112 MP/4	355,5	E124	
18	2112	4,0	79,69	55,3	50	66	43,8				
16	2426	3,5	91,47	55,1	50	66	45,3				
13	2920	2,9	110,18	54,6	50	66	47,2				
11	3625	1,8	136,88	53,7	50	66	48,6				
7,0	5490	1,5	206,84	50,4	50	66	50,0				
5,9	6513	1,3	245,76	47,8	50	66	50,0				
4,6	8225	1,0	311,10	42,0	50	66	50,0	SK 9072.1/32 - 112 MP/4	389,5	E134	
3,7	10206	0,8	385,88	31,9	50	66	50,0				
11	3563	1,7	134,14	53,8	50	66	46,2	SK 9072.1/42 - 112 MP/4	406,5	E134	
9,2	4166	1,5	156,70	52,9	50	66	47,6				
7,3	5207	1,4	196,12	51,0	50	66	49,4				
5,3	7147	1,2	269,39	45,9	50	66	50,0				
12	3092	4,2	116,45	67,0	60	95	60	SK 9082.1 - 112 MP/4	615,5	E126	
5,0	7587	1,7	285,05	59,6	60	95	60	SK 9082.1/42 - 112 MP/4	666,5	E134	
3,8	10080	1,3	379,59	54,4	60	95	60				
3,2	11787	1,1	443,41	50,3	60	95	60				
2,4	15993	0,8	603,37	38,1	60	95	60				
12	3280	3,7	123,13	66,6	60	95	60	SK 9082.1/52 - 112 MP/4	691,5	E134	
9,8	3882	3,3	146,19	65,8	60	95	60				
7,9	4836	2,7	182,09	64,3	60	95	60				
5,8	6537	2,0	245,62	61,5	60	95	60				
9,9	3842	4,7	144,60	104,1	65	120	65	SK 9086.1/52 - 112 MP/4	941,5	E134	
8,4	4568	4,4	171,89	103,7	65	120	65				
6,1	6269	3,2	235,93	102,5	65	120	65				
5,3	7211	2,8	270,47	101,7	65	120	65				
3,8	10066	2,0	378,14	98,5	65	120	65				
3,3	11538	1,7	433,35	96,3	65	120	65				
2,3	16543	1,2	623,16	85,9	65	120	65				
2,0	18962	1,1	714,15	79,5	65	120	65				
1,6	24133	0,8	907,88	58,3	65	117,2	65				
5,1	7464	4,3	280,76	101,5	70	160	70	SK 9092.1/52 - 112 MP/4	1511,5	E134	
3,7	10245	3,1	385,67	96,6	70	160	70				
3,3	11729	2,7	441,46	93,9	70	160	70				
2,4	16174	2,0	608,12	85,0	70	150,9	70				
2,0	18742	1,7	706,40	79,4	70	144,3	70				
1,7	22441	1,4	846,40	70,6	70	134,3	70				
1,3	29691	1,1	1120,00	50,7	70	112,9	70				
1,0	37788	0,8	1424,80	22,3	70	85,9	70				

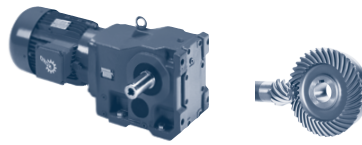
UNICASE™
Helical bevel gear units

4,00 kW
5,50 kW



P_1 [kW]	n_2 [r/min]	M_2 [Nm]	f_B	i_{total}	F_R [kN]	F_A	$F_{R VL}$ [kN]	$F_{A VL}$	Type	kg	mm E
4,00	3,3	11433	4,4	431,00	165,5	100			SK 9096.1/62 - 112 MP/4	1901,5	E135
	3,0	12579	4,0	474,22	164,1	100					
	2,7	14280	3,5	538,33	162,0	100					
	2,4	16118	3,1	607,63	159,5	100					
	2,0	18642	2,7	702,80	156,4	100					
	1,8	21660	2,3	816,57	152,4	100					
	1,5	25977	1,9	979,31	146,3	100					
	1,2	30909	1,6	1165,22	138,9	100					
	1,1	35912	1,4	1353,86	130,9	100					
	0,9	43069	1,2	1623,67	118,5	100					
	0,8	47062	1,1	1774,21	110,6	100			SK 9096.1/63 - 112 MP/4	1910,5	E135
	0,7	54434	0,9	2052,10	96,5	100					
	0,6	61441	0,8	2316,27	80,5	100					
5,50	172	305	2,9	8,48	5,9	9,9	15	7,9	SK 9032.1 - 132 SP/4	113	E112
	136	385	2,3	10,73	6,1	10,5	15	8,2			
	116	455	2,2	12,68	6,2	10,8	15	8,3			
	108	486	2,8	13,49	6,5	11,3	15	8,6			
	91	575	2,4	16,04	6,6	11,6	15	8,8			
	86	613	2,4	17,08	6,5	11,5	15	8,9			
	72	726	2,1	20,23	6,6	11,7	15	9,0			
	61	857	1,8	23,91	6,5	11,6	15	9,0			
	58	898	1,7	25,03	6,4	11,5	15	9,0			
	49	1064	1,4	29,66	6,3	11,4	15	9,0			
	41	1278	1,2	35,61	5,8	10,8	14,8	8,7			
	38	1366	1,1	38,05	5,8	10,7	14,4	8,7			
	36	1447	1,1	40,36	5,6	10,5	14,0	8,6			
	31	1709	0,9	47,70		9,7	12,5	8,2			
	29	1790	0,9	49,94		9,2	11,9	8,0			
		165	318	4,4	8,83	18,4	29,6	28			
156		338	4,4	9,39	18,4	30,1	28	13			
143		368	4,1	10,21	18,3	30,7	28	13,2			
128		410	3,7	11,40	18,2	31,5	28	13,5			
109		481	4,2	13,40	18,1	32,7	28	14,0			
93		563	3,6	15,66	17,9	33,9	28	14,4			
80		654	3,7	18,20	17,8	35,4	28	15,0			
72		730	3,6	20,32	17,6	36,3	28	15,3			
61		856	3,2	23,89	17,3	37,5	28	15,8			
52		1001	2,8	27,91	17,0	38,7	28	16,1			
47		1129	1,9	31,48	16,7	39,5	28	16,4			
46		1137	2,5	31,70	16,6	39,3	27,9	16,3			
43		1232	2,3	34,39	16,4	40	27,7	16,5			
36		1454	1,9	40,54	15,8	40	26,9	16,8			
31		1707	1,6	47,67	15,0	40	26,0	16,9			
26		1996	1,4	55,69	14,0	40	24,8	16,9			
23		2266	1,2	63,25	12,9	40	23,6	16,6			
21		2456	1,1	68,61	12,2	40	22,9	16,8			
19		2728	1,0	76,18	11,0	40	21,6	16,6			
17		3101	0,9	86,43	9,1	40	19,8	16,2			
15	3426	0,8	95,56	7,2	40	18,1	15,8				
	54	981	4,7	27,35	30,3	45	38	38,9	SK 9052.1 - 132 SP/4	235	E120
	47	1123	4,3	31,28	30,2	45	38	40,3			
	40	1298	3,7	36,21	30,0	45	38	41,8			
	37	1425	3,4	39,72	29,8	45	38	42,7			

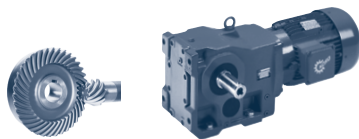
UNICASE™
Helical bevel gear units



P_1 [kW]	n_2 [r/min]	M_2 [Nm]	f_B	i_{total}	F_R [kN]	F_A	$F_{R VL}$ [kN]	$F_{A VL}$	Type	kg	mm E
5,50	33	1613	3,0	44,96	29,5	45	38	44	SK 9052.1 - 132 SP/4	235	E120
	27	1956	2,5	54,56	28,9	45	38	45			
	23	2239	2,1	62,42	28,3	45	38	45			
	20	2588	1,9	72,24	27,5	45	38	45			
	17	3159	1,5	88,17	25,7	45	38	45			
	14	3675	1,3	102,4	23,6	45	37,8	45			
	12	4303	1,1	120,03	20,3	45	35,8	45			
	29	1803	4,5	50,35	55,6	50	66	38	SK 9072.1 - 132 SP/4	375	E124
	25	2095	4,1	58,44	55,3	50	66	39,4			
	21	2512	3,4	70,22	55,0	50	66	41			
	18	2854	3,0	79,69	54,6	50	66	42,2			
	16	3279	2,6	91,47	54,2	50	66	43,4			
	13	3947	2,2	110,18	53,2	50	66	44,9			
	11	4899	1,4	136,88	51,6	50	66	45,6			
	9,3	5644	1,5	157,27	50,0	50	66	47,3			
	7,8	6696	1,3	186,86	47,3	50	66	48,7			
	7,1	7420	1,1	206,84	45,0	50	66	48,9			
	6,0	8803	1,0	245,76	39,6	50	66	49,9			
	11	4815	1,3	134,14	51,8	50	66	43,5	SK 9072.1/42 - 132 SP/4	426	E134
	9,3	5630	1,1	156,70	50,0	50	66	44,5			
	7,5	7037	1,1	196,12	46,2	50	66	45,7			
	5,4	9659	0,9	269,39	35,2	50	66	46,5			
	18	2974	4,4	82,88	67,0	60	95	60	SK 9082.1 - 132 SP/4	635	E126
	15	3440	3,8	95,86	66,4	60	95	60			
	13	4178	3,1	116,45	65,4	60	95	60			
	12	4393	3,0	122,46	65,0	60	95	60			
	9,8	5336	2,4	148,76	63,7	60	95	60			
	6,0	8757	1,5	244,32	57,2	60	95	60			
	4,9	10636	1,2	296,80	53,4	60	95	60			
	5,1	10254	1,3	285,05	54,0	60	95	60	SK 9082.1/42 - 132 SP/4	686	E134
	3,9	13623	1,0	379,59	45,4	60	95	60			
	3,3	15930	0,8	443,41	38,4	60	95	60			
	12	4433	2,7	123,13	65,0	60	95	60	SK 9082.1/52 - 132 SP/4	711	E134
	10	5247	2,5	146,19	63,7	60	95	60			
	8,0	6536	2,0	182,09	61,5	60	95	60			
	5,9	8835	1,5	245,62	57,1	60	95	60			
	13	4181	4,8	116,5	103,9	65	120	65	SK 9086.1 - 132 SP/4	885	E128
	7,5	6957	2,9	194,04	101,9	65	120	65			
	6,4	8270	2,4	230,64	100,6	65	120	65			
	10	5193	3,5	144,60	103,3	65	120	65	SK 9086.1/52 - 132 SP/4	961	E134
	8,5	6173	3,2	171,89	102,6	65	120	65			
	6,2	8473	2,4	235,93	100,4	65	120	65			
	5,4	9746	2,1	270,47	98,9	65	120	65			
	3,9	13604	1,5	378,14	92,3	65	120	65			
	3,4	15593	1,3	433,35	88,0	65	120	65			
	2,3	22358	0,9	623,16	66,9	65	120	65			

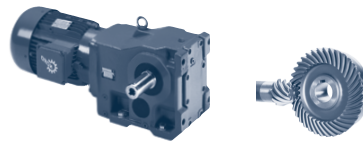
UNICASE™
Helical bevel gear units

5,50 kW
7,50 kW



P_1 [kW]	n_2 [r/min]	M_2 [Nm]	f_B	i_{total}	F_R [kN]	F_A	$F_{R VL}$ [kN]	$F_{A VL}$	Type	kg	mm E			
5,50	5,2	10088	3,2	280,76	96,9	70	160,0	70	SK 9092.1/52 - 132 SP/4	1531	E134			
	3,8	13847	2,3	385,67	89,8	70	156,7	70						
	3,3	15852	2,0	441,46	85,7	70	151,8	70						
	2,4	21860	1,5	608,12	72,1	70	135,9	70						
	2,1	25330	1,3	706,40	63,2	70	126,1	70						
	1,7	30330	1,1	846,40	48,7	70	110,9	70						
	4,6	11498	4,3	320,72	165,3	100			SK 9096.1/62 - 132 SP/4	1921	E135			
	3,9	13299	3,8	370,95	163,2	100								
	3,4	15452	3,2	431,00	160,6	100								
	3,1	17001	2,9	474,22	158,6	100								
	2,7	19299	2,6	538,33	155,6	100								
	2,4	21784	2,3	607,63	152,0	100								
	2,1	25196	2,0	702,80	147,4	100								
	1,8	29275	1,7	816,57	141,4	100								
	1,5	35109	1,4	979,31	132,2	100								
	1,3	41774	1,2	1165,22	120,9	100								
	1,1	48537	1,0	1353,86	108,3	100								
	0,9	58210	0,9	1623,67	88,4	100								
	7,50	172	417	2,1	8,48	5,3	8,6	15				7,3	SK 9032.1 - 132 MP/4	120
136		527	1,7	10,73	5,3	8,9	15	7,5						
115		622	1,6	12,68	5,2	9,0	15	7,5						
108		664	2,0	13,49	5,6	9,8	15	7,9						
91		787	1,8	16,04	5,5	9,9	15	7,9						
85		839	1,7	17,08	5,4	9,8	15	7,9						
72		993	1,5	20,23	5,2	9,6	15	7,8						
61		1173	1,3	23,91	4,9	9,2	15	7,7						
58		1229	1,2	25,03	4,7	8,9	15	7,5						
49		1456	1,0	29,66	4,3	8,3	13,9	7,3						
41		1749	0,9	35,61		7,1	12,1	6,7						
38		1868	0,8	38,05		6,8	11,5	6,5						
165		435	3,2	8,83	18,2	28,9	28	12,3	SK 9042.1 - 132 MP/4	167	E116			
155		462	3,2	9,39	18,1	29,3	28	12,4						
142		503	3,0	10,21	18,0	29,8	28	12,6						
128		561	2,7	11,40	17,9	30,5	28	12,9						
109		658	3,0	13,40	17,7	31,5	28	13,2						
93		770	2,6	15,66	17,4	32,5	28	13,5						
80		895	2,7	18,20	17,3	34,0	28	14,2						
72		998	2,6	20,32	17,0	34,6	28	14,3						
61		1172	2,3	23,89	16,6	35,6	27,9	14,6						
52		1370	2,0	27,91	16,0	36,4	27,2	14,7						
46		1544	1,4	31,48	15,5	36,9	26,6	14,8						
46		1556	1,8	31,70	15,4	36,7	26,4	14,6						
42		1686	1,7	34,39	15,1	37,3	26,0	14,8						
36		1990	1,4	40,54	14,0	37,8	24,9	14,8						
31		2335	1,2	47,67	12,7	38,1	23,4	14,5						
26		2731	1,0	55,69	11,0	38,2	21,6	14,2						
23		3101	0,9	63,25	9,0	37,4	19,6	13,4						
21	3361	0,8	68,61	7,6	37,8	18,4	13,4							
73	978	4,4	19,91	30,3	45	38	35,2	SK 9052.1 - 132 MP/4	242	E120				
65	1108	3,9	22,53	30,2	45	38	36,3							
62	1147	3,8	23,33	30,2	45	38	36,6							
53	1343	3,4	27,35	29,9	45	38	38,1							

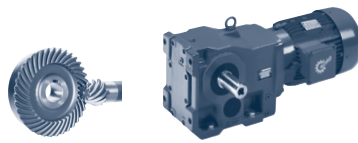
UNICASE™
Helical bevel gear units



P_1 [kW]	n_2 [r/min]	M_2 [Nm]	f_B	i_{total}	F_R [kN]	F_A	$F_{R VL}$ [kN]	$F_{A VL}$ [kN]	Type	kg	mm E
7,50	47	1537	3,1	31,28	29,7	45	38	39,3	SK 9052.1 - 132 MP/4	242	E120
	40	1776	2,7	36,21	29,3	45	38	40,7			
	37	1950	2,5	39,72	29,0	45	38	41,6			
	32	2208	2,2	44,96	28,4	45	38	42,7			
	27	2676	1,8	54,56	27,2	45	38	44,5			
	23	3064	1,6	62,42	26,0	45	38	45,0			
	20	3541	1,4	72,24	24,2	45	38	45,0			
	17	4323	1,1	88,17	20,2	45	35,7	45,0			
	14	5028	1,0	102,40	14,7	45	32,9	45,0			
12	5887	0,8	120,03		45	28,5	45,0				
	42	1725	4,9	35,19	55,6	50	66	34,0	SK 9072.1 - 132 MP/4	382	E124
	29	2467	3,3	50,35	55,0	50	66	36,8			
	25	2867	3,0	58,44	54,6	50	66	38,0			
	21	3438	2,5	70,22	54,0	50	66	39,3			
	18	3905	2,2	79,69	53,3	50	66	40,2			
	16	4486	1,9	91,47	52,4	50	66	41,1			
	13	5401	1,6	110,18	50,6	50	66	42,2			
	9,3	7723	1,1	157,27	43,9	50	66	43,3			
	7,8	9163	0,9	186,86	37,9	50	66	44,1			
	11	6588	0,9	134,14	47,6	50	66	40,2	SK 9072.1/42 - 132 MP/4	433	E134
	9,3	7704	0,8	156,70	44,0	50	66	40,6			
	20	3510	3,7	71,50	66,3	60	95	60	SK 9082.1 - 132 MP/4	642	E126
	18	4069	3,2	82,88	65,5	60	95	60			
	15	4707	2,8	95,86	64,5	60	95	60			
	13	5717	2,3	116,45	63,0	60	95	60			
	12	6011	2,2	122,46	62,4	60	95	60			
	9,8	7301	1,8	148,76	60,3	60	95	60			
	6,0	11982	1,1	244,32	49,8	60	95	60			
	4,9	14553	0,9	296,80	43,1	60	95	60			
	5,1	14030	0,9	285,05	44,3	60	95	60			
	12	6065	2,0	123,13	62,3	60	95	60	SK 9082.1/52 - 132 MP/4	718	E134
	10	7179	1,8	146,19	60,3	60	95	60			
	8,0	8944	1,5	182,09	56,9	60	95	60			
	5,9	12090	1,1	245,62	49,6	60	95	60			
	16	4446	4,5	90,50	103,7	65	120	65			
	13	5721	3,5	116,50	102,9	65	120	65			
	7,5	9519	2,1	194,04	99,2	65	120	65			
	6,3	11316	1,8	230,64	96,7	65	120	65			
	10	7105	2,5	144,60	101,8	65	120	65	SK 9086.1/52 - 132 MP/4	968	E134
	8,5	8447	2,4	171,89	100,4	65	120	65			
	6,2	11594	1,7	235,93	96,2	65	120	65			
	5,4	13335	1,5	270,47	92,8	65	120	65			
	3,8	18615	1,1	378,14	80,5	65	120	65			
	3,4	21337	0,9	433,35	71,1	65	120	65			
	5,2	13804	2,3	280,76	89,9	70	156,8	70	SK 9092.1/52 - 132 MP/4	1538	E134
	3,8	18947	1,7	385,67	79,0	70	143,8	70			
	3,3	21690	1,5	441,46	72,5	70	136,4	70			
	2,4	29911	1,1	608,12	50,0	70	112,3	70			
	2,1	34659	0,9	706,40	34,2	70	96,8	70			

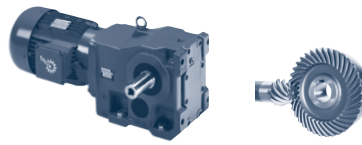
UNICASE™
 Helical bevel gear units

7,50 kW
9,20 kW



P_1 [kW]	n_2 [r/min]	M_2 [Nm]	f_B	i_{total}	F_R [kN]	F_A	$F_{R VL}$ [kN]	$F_{A VL}$	Type	kg	mm			
7,50	4,6	15733	3,2	320,72	160,0	100			SK 9096.1/62 - 132 MP/4	1928	E135			
	3,9	18197	2,7	370,95	157,0	100								
	3,4	21143	2,4	431,00	153,1	100								
	3,1	23263	2,1	474,22	150,1	100								
	2,7	26408	1,9	538,33	145,6	100								
	2,4	29807	1,7	607,63	140,2	100								
	2,1	34476	1,5	702,80	133,2	100								
	1,8	40057	1,2	816,57	123,9	100								
	1,5	48040	1,0	979,31	109,3	100								
1,3	57160	0,9	1165,22	90,7	100									
9,20	166	530	2,6	8,83	18,0	28,1	28	11,9	SK 9042.1 - 160 SP/4	198	E116			
	156	563	2,7	9,39	17,9	28,5	28	12,0						
	143	613	2,4	10,21	17,8	29,0	28	12,2						
	129	683	2,2	11,40	17,6	29,6	28	12,3						
	110	802	2,5	13,40	17,4	30,5	28	12,6						
	94	938	2,1	15,66	17,0	31,2	28	12,8						
	81	1091	2,2	18,20	16,8	32,7	28	13,4						
	72	1216	2,1	20,32	16,4	33,2	27,7	13,5						
	62	1427	1,9	23,89	15,9	33,9	27,0	13,6						
	53	1669	1,7	27,91	15,1	34,4	26,1	13,6						
	47	1882	1,2	31,48	14,4	34,7	25,3	13,5						
	43	2054	1,4	34,39	13,8	34,9	24,6	13,4						
	36	2424	1,2	40,54	12,4	35,0	23,0	13,1						
	31	2845	1,0	47,67	10,5	34,8	21,1	12,6						
	26	3327	0,8	55,69	7,8	34,3	18,6	11,9						
	155	565	4,6	9,40	30,6	45	38	28,4				SK 9052.1 - 160 SP/4	273	E120
	148	593	4,7	9,93	30,6	45	38	28,8						
	137	640	4,5	10,71	30,6	45	38	29,4						
	90	978	4,4	16,33	30,3	45	38	32,7						
82	1071	4,0	17,94	30,3	45	38	33,7							
74	1192	3,6	19,91	30,1	45	38	34,6							
65	1349	3,2	22,53	29,9	45	38	35,7							
63	1397	3,1	23,33	29,9	45	38	35,9							
54	1636	2,8	27,35	29,5	45	38	37,3							
47	1872	2,6	31,28	29,1	45	38	38,5							
41	2164	2,2	36,21	28,5	45	38	39,7							
37	2375	2,0	39,72	28,0	45	38	40,5							
33	2690	1,8	44,96	27,2	45	38	41,5							
27	3260	1,5	54,56	25,3	45	38	43,0							
24	3732	1,3	62,42	23,4	45	37,6	44,0							
20	4314	1,1	72,24	20,3	45	35,7	45,0							
17	5267	0,9	88,17	12,1	45	31,8	45,0							
50	1752	4,9	29,29	55,6	50	66	31,9	SK 9072.1 - 160 SP/4	413	E124				
42	2101	4,0	35,19	55,3	50	66	33,2							
36	2453	3,1	41,11	55,0	50	66	34,3							
29	3006	2,7	50,35	54,5	50	66	35,7							
25	3492	2,4	58,44	53,9	50	66	36,7							
21	4188	2,0	70,22	52,9	50	66	37,8							
18	4758	1,8	79,69	51,9	50	66	38,5							
16	5466	1,6	91,47	50,4	50	66	39,1							
13	6580	1,3	110,18	47,6	50	66	39,9							
9,3	9409	0,9	157,27	36,6	50	66	39,9							
33	2673	4,9	44,63	67,4	60	95	60				SK 9082.1 - 160 SP/4	673	E126	
28	3191	4,1	53,28	66,7	60	95	60							
24	3731	3,5	62,39	66,0	60	95	60							

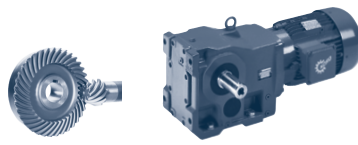
UNICASE™
Helical bevel gear units



P_1 [kW]	n_2 [r/min]	M_2 [Nm]	f_B	i_{total}	F_R [kN]	F_A	$F_{R VL}$ [kN]	$F_{A VL}$	Type	kg	mm E
9,20	21	4277	3,0	71,50	65,2	60	95	60	SK 9082.1 - 160 SP/4	673	E126
	18	4957	2,6	82,88	64,1	60	95	60			
	15	5735	2,3	95,86	62,9	60	95	60			
	13	6966	1,9	116,45	60,9	60	95	60			
	12	7323	1,8	122,46	60,1	60	95	60			
	9,9	8895	1,5	148,76	57,2	60	95	60			
	6,0	14598	0,9	244,32	42,6	60	95	60			
12	7389	1,6	123,13	59,9	60	95	60	SK 9082.1/52 - 160 SP/4	749	E134	
10	8747	1,5	146,19	57,3	60	95	60				
8,1	10896	1,2	182,09	52,5	60	95	60				
6,0	14729	0,9	245,62	42,2	60	95	60				
22	4039	5,0	67,50	104,0	65	120	65	SK 9086.1 - 160 SP/4	923	E128	
19	4682	4,3	78,24	103,6	65	120	65				
16	5416	3,7	90,50	103,1	65	120	65				
13	6970	2,9	116,50	101,9	65	120	65				
12	7635	2,6	127,67	101,3	65	120	65				
9,7	9077	2,2	151,76	99,7	65	120	65				
7,6	11597	1,7	194,04	95,9	65	120	65				
6,4	13787	1,5	230,64	91,9	65	120	65				
10	8657	2,1	144,60	100,2	65	120	65	SK 9086.1/52 - 160 SP/4	999	E134	
8,5	10291	1,9	171,89	98,2	65	120	65				
6,2	14125	1,4	235,93	91,2	65	120	65				
5,4	16247	1,2	270,47	86,6	65	120	65				
3,9	22679	0,9	378,14	65,5	65	120	65				
12	7186	4,5	120,23	101,9	70	160	70	SK 9092.1 - 160 SP/4	1493	E130	
9,6	9151	3,5	152,96	98,6	70	160	70				
7,4	11811	2,7	197,51	93,7	70	160	70				
5,8	15136	2,1	253,40	86,5	70	152,5	70				
4,9	17797	1,8	297,51	81,5	70	146,8	70				
7,7	11462	2,8	191,28	94,4	70	160	70	SK 9092.1/52 - 160 SP/4	1569	E134	
6,6	13337	2,4	222,14	90,8	70	157,9	70				
5,2	16818	1,9	280,76	83,7	70	149,3	70				
3,8	23083	1,4	385,67	69,0	70	132,5	70				
3,3	26426	1,2	441,46	60,2	70	122,9	70				
2,4	36442	0,9	608,12	27,6	70	90,6	70				
8,5	10364	4,8	173,41	166,6	100			SK 9096.1 - 160 SP/4	1828	E132	
7,3	11987	4,2	200,57	164,8	100						
7,0	12488	4,0	208,95	164,1	100			SK 9096.1/62 - 160 SP/4	1959	E135	
6,3	13956	3,6	233,51	162,3	100						
5,4	16142	3,1	270,09	159,7	100						
4,9	17760	2,8	297,17	157,6	100						
4,6	19167	2,6	320,72	155,5	100						
4,0	22170	2,3	370,95	151,7	100						
3,4	25758	1,9	431,00	146,6	100						
3,1	28341	1,8	474,22	142,8	100						
2,7	32173	1,6	538,33	136,9	100						
2,4	36315	1,4	607,63	129,8	100						
2,1	42002	1,2	702,80	120,4	100						
1,8	48802	1,0	816,57	107,8	100						
1,5	58528	0,9	979,31	87,7	100						

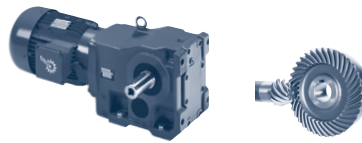
UNICASE™
Helical bevel gear units

11,0 kW



P_1 [kW]	n_2 [r/min]	M_2 [Nm]	f_B	i_{total}	F_R [kN]	F_A	$F_{R VL}$ [kN]	$F_{A VL}$	Type	kg	mm E
11,0	165	636	2,2	8,83	17,7	27,4	28	11,4	SK 9042.1 - 160 MP/4	198	E116
	156	675	2,2	9,39	17,6	27,7	28	11,5			
	143	735	2,0	10,21	17,5	28,2	28	11,7			
	128	820	1,8	11,40	17,3	28,7	28	11,8			
	109	962	2,1	13,40	17,0	29,4	28	11,9			
	93	1125	1,8	15,66	16,5	30,0	27,8	12,0			
	80	1308	1,9	18,20	16,2	31,3	27,4	12,6			
	72	1459	1,8	20,32	15,8	31,7	26,9	12,6			
	61	1713	1,6	23,89	15,0	32,1	25,9	12,5			
	52	2003	1,4	27,91	14,0	32,4	24,8	12,3			
	47	2257	1,0	31,48	13,0	32,4	23,8	12,1			
	43	2465	1,1	34,39	12,2	32,4	22,9	11,9			
	36	2908	1,0	40,54	10,1	32,0	20,8	11,3			
	31	3414	0,8	47,67	7,3	31,3	18,2	10,4			
		180	583	4,5	8,10	30,6	45	38			
	155	678	3,8	9,40	30,6	45	38	28,2			
	148	712	3,9	9,93	30,6	45	38	28,5			
	137	768	3,8	10,71	30,5	45	38	29,1			
	123	855	4,6	11,88	30,5	45	38	29,9			
	109	968	4,4	13,45	30,4	45	38	30,8			
	90	1173	3,7	16,33	30,1	45	38	32,3			
	82	1284	3,3	17,94	30,0	45	38	33,3			
	73	1430	3,0	19,91	29,8	45	38	34,1			
	65	1619	2,7	22,53	29,5	45	38	35,1			
	63	1676	2,6	23,33	29,4	45	38	35,3			
	54	1962	2,3	27,35	28,9	45	38	36,6			
	47	2246	2,1	31,28	28,3	45	38	37,6			
	40	2596	1,8	36,21	27,5	45	38	38,7			
	37	2850	1,7	39,72	26,7	45	38	39,4			
	33	3227	1,5	44,96	25,4	45	38	40,3	SK 9072.1 - 160 MP/4	413	E124
	27	3911	1,2	54,56	22,5	45	37,1	41,5			
	23	4478	1,1	62,42	19,2	45	35,2	42,3			
	20	5175	0,9	72,24	13,2	45	32,3	43,0			
	58	1809	4,7	25,24	53,4	50	66	30,3			
	50	2102	4,0	29,29	55,2	50	66	31,3			
	42	2521	3,4	35,19	55,0	50	66	32,4			
	36	2943	2,6	41,11	54,6	50	66	33,4			
	29	3606	2,3	50,35	53,7	50	66	34,6			
	25	4190	2,0	58,44	52,9	50	66	35,4			
	21	5025	1,7	70,22	51,3	50	66	36,2			
	18	5708	1,5	79,69	49,9	50	66	36,7			
	16	6557	1,3	91,47	47,7	50	66	37,1			
	13	7894	1,1	110,18	43,3	50	66	37,4			
	35	2984	4,4	41,54	67,0	60	95	60	SK 9082.1 - 160 MP/4	673	E126
	33	3207	4,1	44,63	66,7	60	95	60			
	27	3828	3,4	53,28	65,8	60	95	60			
	23	4476	2,9	62,39	64,9	60	95	60			
	20	5131	2,5	71,50	63,9	60	95	60			
	18	5947	2,2	82,88	62,5	60	95	60			
	15	6880	1,9	95,86	60,9	60	95	60			
	13	8357	1,6	116,45	58,3	60	95	60			
	12	8786	1,5	122,46	57,2	60	95	60			
	9,8	10672	1,2	148,76	53,3	60	95	60			

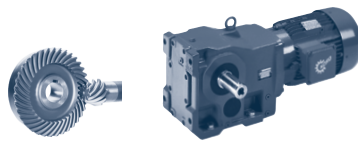
UNICASE™
Helical bevel gear units



P_1 [kW]	n_2 [r/min]	M_2 [Nm]	f_B	i_{total}	F_R [kN]	F_A	$F_{R VL}$ [kN]	$F_{A VL}$ [kN]	Type	kg	mm E
11,0	12	8865	1,4	123,13	57,0	60	95	60	SK 9082.1/52 - 160 MP/4	749	E134
	10	10494	1,2	146,19	53,5	60	95	60			
	8,0	13073	1,0	182,09	47,0	60	95	60			
	25	4228	4,7	58,90	103,9	65	120	65	SK 9086.1 - 160 MP/4	923	E128
	22	4846	4,1	67,50	103,5	65	120	65			
	19	5617	3,6	78,24	103,0	65	120	65			
	16	6498	3,1	90,50	102,3	65	120	65			
	13	8362	2,4	116,50	100,5	65	120	65			
	11	9160	2,2	127,67	99,6	65	120	65			
	9,6	10890	1,8	151,76	97,3	65	120	65			
	7,5	13913	1,4	194,04	91,1	65	120	65			
6,4	16540	1,2	230,64	85,9	65	120	65				
	10	10386	1,7	144,6	98,0	65	120	65	SK 9086.1/52 - 160 MP/4	999	E134
	8,5	12347	1,6	171,89	94,8	65	120	65			
	6,2	16946	1,2	235,93	85,0	65	120	65			
	5,4	19492	1,0	270,47	77,8	65	120	65			
	16	6577	4,9	91,60	102,9	70	160	70	SK 9092.1 - 160 MP/4	1493	E130
	14	7340	4,4	102,28	101,7	70	160	70			
	12	8621	3,7	120,23	99,5	70	160	70			
	9,6	10978	2,9	152,96	95,3	70	160	70			
	7,4	14170	2,3	197,51	89,2	70	155,9	70			
	5,8	18159	1,8	253,40	79,9	70	144,7	70			
4,9	21352	1,5	297,51	73,3	70	137,3	70				
	7,6	13751	2,3	191,28	90,0	70	156,9	70	SK 9092.1/52 - 160 MP/4	1569	E134
	6,6	16001	2,0	222,14	85,4	70	151,4	70			
	5,2	20177	1,6	280,76	76,1	70	140,5	70			
	3,8	27693	1,2	385,67	56,6	70	119,1	70			
	3,3	31704	1,0	441,46	44,3	70	106,6	70			
	9,5	11062	4,5	154,29	165,9	100			SK 9096.1 - 160 MP/4	1828	E132
	8,4	12434	4,0	173,41	164,2	100					
	7,3	14381	3,5	200,57	161,9	100					
	7,0	14982	3,3	208,95	161,0	100			SK 9096.1/62 - 160 MP/4	1959	E135
	6,3	16743	3,0	233,51	158,7	100					
	5,4	19366	2,6	270,09	155,5	100					
	4,9	21307	2,3	297,17	152,9	100					
	4,6	22996	2,2	320,72	150,3	100					
	3,9	26598	1,9	370,95	145,4	100					
	3,4	30903	1,6	431,00	138,9	100					
	3,1	34002	1,5	474,22	134,0	100					
	2,7	38599	1,3	538,33	126,4	100					
	2,4	43568	1,1	607,63	117,2	100					
	2,1	50392	1,0	702,80	104,7	100					
1,8	58549	0,9	816,57	87,6	100						

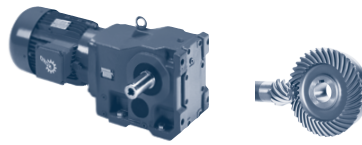
UNICASE™
Helical bevel gear units

15,0 kW



P_1 [kW]	n_2 [r/min]	M_2 [Nm]	f_B	i_{total}	F_R [kN]	F_A	$F_{R VL}$ [kN]	$F_{A VL}$	Type	kg	mm E
15,0	165	868	1,6	8,83	17,2	25,8	26,8	10,5	SK 9042.1 - 160 LP/4	227	E116
	156	921	1,6	9,39	17,1	26,0	26,9	10,5			
	143	1002	1,5	10,21	16,9	26,3	27,0	10,5			
	128	1118	1,3	11,40	16,5	26,6	27,1	10,5			
	109	1312	1,5	13,40	16,0	27,0	27,1	10,5			
	93	1534	1,3	15,66	15,3	27,1	26,2	10,3			
	80	1784	1,4	18,20	14,7	28,4	25,7	10,8			
	72	1990	1,3	20,32	14,0	28,4	24,9	10,6			
	61	2335	1,2	23,89	12,7	28,2	23,4	10,2			
	52	2731	1,0	27,91	11,0	27,8	21,6	9,6			
	43	3361	0,8	34,39	7,6	26,7	18,5	8,5			
	180	795	3,3	8,10	30,5	45	38	26,6	SK 9052.1 - 160 LP/4	302	E120
	155	925	2,8	9,40	30,4	45	38	27,6			
	148	970	2,9	9,93	30,4	45	38	27,9			
	137	1047	2,8	10,71	30,3	45	38	28,4			
	123	1166	3,3	11,88	30,2	45	38	29,1			
	109	1320	3,3	13,45	30,0	45	38	29,9			
	90	1600	2,7	16,33	29,6	45	38	31,2			
	82	1751	2,5	17,94	29,3	45	38	32,2			
	73	1950	2,2	19,91	29,0	45	38	32,9			
	65	2208	1,9	22,53	28,4	45	38	33,7			
	63	2285	1,9	23,33	28,2	45	38	33,9			
	54	2676	1,7	27,35	27,2	45	38	34,9			
	47	3063	1,6	31,28	26,0	45	38	35,7			
	40	3540	1,4	36,21	24,2	45	38	36,5			
	37	3886	1,2	39,72	22,6	45	37,1	37,0			
	33	4400	1,1	44,96	19,7	45	35,4	37,5			
	27	5334	0,9	54,56	11,2	45	31,5	38,2			
	143	1000	4,7	10,19	41,5	50	66	23,6	SK 9072.1 - 160 LP/4	442	E124
	128	1120	4,5	11,48	42,7	50	66	24,2			
	121	1179	4,2	12,06	43,2	50	66	24,5			
	104	1373	3,8	14,06	44,8	50	66	25,4			
	95	1514	5,0	15,40	46,1	50	66	26,2			
	89	1607	4,7	16,44	46,9	50	66	26,6			
	80	1796	4,3	18,29	48,1	50	66	27,2			
	71	2013	4,2	20,61	49,3	50	66	27,9			
	58	2467	3,4	25,24	51,5	50	66	29,0			
	50	2866	3,0	29,29	53,1	50	66	29,8			
	42	3438	2,5	35,19	54,0	50	66	30,7			
	36	4013	1,9	41,11	53,1	50	66	31,4			
	29	4917	1,7	50,35	51,6	50	66	32,1			
	25	5713	1,5	58,44	49,8	50	66	32,5			
	21	6852	1,2	70,22	46,8	50	66	32,7			
	18	7783	1,1	79,69	43,7	50	66	32,7			
	16	8942	1,0	91,47	38,9	50	66	32,6			
	55	2619	5,0	26,71	67,5	60	95	60	SK 9082.1 - 160 LP/4	702	E126
	47	3062	4,2	31,27	66,9	60	95	60			
	41	3510	3,7	35,83	66,3	60	95	60			
	35	4069	3,2	41,54	65,5	60	95	60			
	33	4373	3,0	44,63	65,0	60	95	60			
	27	5220	2,5	53,28	63,7	60	95	60			
	23	6104	2,1	62,39	62,3	60	95	60			
	20	6997	1,9	71,50	60,7	60	95	60			

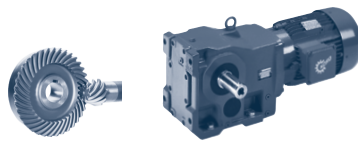
UNICASE™
Helical bevel gear units



P_1 [kW]	n_2 [r/min]	M_2 [Nm]	f_B	i_{total}	F_R [kN]	F_A	$F_{R VL}$ [kN]	$F_{A VL}$	Type	kg	mm
15,0	18	8110	1,6	82,88	58,5	60	95	60	SK 9082.1 - 160 LP/4	702	E126
	15	9382	1,4	95,86	55,9	60	95	60			
	13	11396	1,1	116,45	51,6	60	95	60			
	12	11981	1,1	122,46	49,8	60	95	60			
	9,8	14553	0,9	148,76	43,1	60	95	60			
	12	12089	1,0	123,13	49,6	60	95	60	SK 9082.1/52 - 160 LP/4	778	E134
	10	14309	0,9	146,19	43,4	60	95	60			
	35	4130	4,8	42,13	103,9	65	120	65	SK 9086.1 - 160 LP/4	952	E128
	29	4930	4,1	50,30	103,5	65	120	65			
	25	5765	3,5	58,90	102,9	65	120	65			
	22	6608	3,0	67,50	102,2	65	120	65			
	19	7659	2,6	78,24	101,3	65	120	65			
	16	8861	2,3	90,50	100,0	65	120	65			
	13	11402	1,8	116,50	96,5	65	120	65			
	11	12491	1,6	127,67	94,1	65	120	65			
9,6	14849	1,3	151,76	89,6	65	120	65				
7,5	18973	1,1	194,04	79,4	65	120	65				
6,4	22555	0,9	230,64	66,0	65	120	65				
10	14162	1,3	144,60	90,6	65	120	65	SK 9086.1/52 - 160 LP/4	1028	E134	
8,5	16836	1,2	171,89	85,2	65	120	65				
6,2	23109	0,9	235,93	63,5	65	119,8	65				
21	6749	4,7	68,87	102,6	70	160	70	SK 9092.1 - 160 LP/4	1522	E130	
18	7821	4,1	80,00	100,9	70	160	70				
16	8968	3,6	91,60	98,9	70	160	70				
14	10009	3,2	102,28	97,1	70	160	70				
12	11756	2,7	120,23	93,8	70	160	70				
9,6	14970	2,1	152,96	87,5	70	153,9	70				
7,4	19323	1,7	197,51	78,1	70	142,8	70				
5,8	24763	1,3	253,40	63,6	70	126,1	70				
4,9	29117	1,1	297,51	52,4	70	114,7	70				
7,6	18752	1,7	191,28	79,4	70	144,3	70	SK 9092.1/52 - 160 LP/4	1598	E134	
6,6	21819	1,5	222,14	72,2	70	136,1	70				
5,2	27514	1,2	280,76	57,1	70	119,6	70				
3,8	37764	0,8	385,67	22,4	70	86,0	70				
12	11555	4,3	118,18	165,3	100			SK 9096.1 - 160 LP/4	1857	E132	
11	13042	3,8	133,53	163,4	100						
9,5	15085	3,3	154,29	161,0	100						
8,4	16955	2,9	173,41	158,5	100						
7,3	19611	2,5	200,57	155,1	100						
7,0	20430	2,4	208,95	153,8	100			SK 9096.1/62 - 160 LP/4	1988	E135	
6,3	22832	2,2	233,51	150,5	100						
5,4	26408	1,9	270,09	145,6	100						
4,9	29055	1,7	297,17	141,7	100						
4,6	31358	1,6	320,72	137,8	100						
3,9	36269	1,4	370,95	130,3	100						
3,4	42141	1,2	431,00	120,2	100						
3,1	46366	1,1	474,22	112,5	100						
2,7	52635	0,9	538,33	100,2	100						
2,4	59411	0,8	607,63	85,1	100						

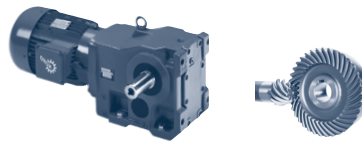
UNICASE™
Helical bevel gear units

18,5 kW



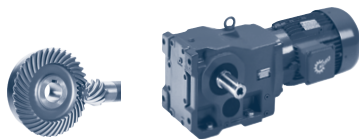
P_1 [kW]	n_2 [r/min]	M_2 [Nm]	f_B	i_{total}	F_R [kN]	F_A	$F_{R VL}$ [kN]	$F_{A VL}$	Type	kg	mm E
18,5	167	1059	1,3	8,83	16,7	24,4	24,8	9,6	SK 9042.1 - 180 MP/4	260	E116
	157	1124	1,3	9,39	16,5	24,5	24,8	9,6			
	144	1224	1,2	10,21	16,2	24,7	24,8	9,6			
	129	1365	1,1	11,40	15,8	24,8	24,7	9,4			
	110	1602	1,2	13,40	15,1	24,8	24,3	9,2			
	94	1873	1,1	15,66	14,2	24,7	23,6	8,8			
	81	2178	1,1	18,20	13,3	25,8	24,1	9,2			
	73	2429	1,1	20,32	12,3	25,5	23,0	8,9			
	62	2851	0,9	23,89	10,4	24,9	21,1	8,1			
53	3334	0,8	27,91	7,8	23,9	18,6	7,2				
	182	970	2,7	8,10	30,4	45	38	26,0	SK 9052.1 - 180 MP/4	335	E120
	157	1129	2,3	9,40	30,2	45	38	26,9			
	149	1185	2,4	9,93	30,1	45	38	27,2			
	138	1279	2,3	10,71	30,0	45	38	27,7			
	124	1423	2,7	11,88	29,8	45	38	28,3			
	110	1612	2,7	13,45	29,6	45	38	29,1			
	90	1953	2,2	16,33	28,9	45	38	30,1			
	83	2138	2,0	17,94	28,6	45	38	31,2			
	74	2380	1,8	19,91	28,0	45	38	31,8			
	66	2695	1,6	22,53	27,2	45	38	32,5			
	63	2790	1,5	23,33	26,9	45	38	32,6			
	54	3267	1,4	27,35	25,3	45	38	33,4			
	47	3740	1,3	31,28	23,3	45	37,6	34,0			
	41	4322	1,1	36,21	20,2	45	35,7	34,6			
	37	4744	1,0	39,72	17,3	45	34,1	34,8			
	33	5372	0,9	44,96	10,7	45	31,3	35,1			
	162	1092	4,3	9,16	39,6	50	63	22,5	SK 9072.1 - 180 MP/4	475	E124
	145	1220	3,9	10,19	40,7	50	64,6	23,1			
	129	1368	3,7	11,48	41,8	50	66	23,6			
	123	1439	3,5	12,06	42,2	50	66	23,9			
	118	1493	3,3	12,51	42,6	50	66	24,1			
	105	1676	3,1	14,06	43,7	50	66	24,7			
	96	1848	4,1	15,40	45,0	50	66	25,4			
	90	1962	3,8	16,44	45,7	50	66	25,8			
	81	2193	3,6	18,29	46,8	50	66	26,4			
	72	2458	3,5	20,61	47,9	50	66	26,9			
	66	2684	3,2	22,46	48,8	50	66	27,4			
	59	3012	2,8	25,24	49,8	50	66	27,9			
	50	3499	2,4	29,29	51,1	50	66	28,5			
	42	4197	2,0	35,19	52,6	50	66	29,1			
	36	4899	1,6	41,11	51,6	50	66	29,6			
	33	5349	1,4	44,81	50,7	50	66	29,7			
	29	6003	1,4	50,35	49,1	50	66	29,9			
	25	6975	1,2	58,44	46,4	50	66	29,9			
	21	8365	1,0	70,22	41,5	50	66	29,7			
	19	9502	0,9	79,69	36,1	50	66	29,3			
	66	2678	4,9	22,37	67,4	60	95	60	SK 9082.1 - 180 MP/4	735	E126
	55	3197	4,1	26,71	66,7	60	95	60			
	47	3739	3,5	31,27	66,0	60	95	60			
	41	4285	3,0	35,83	65,2	60	95	60			
	36	4967	2,6	41,54	64,1	60	95	60			
	33	5339	2,4	44,63	63,5	60	95	60			
	28	6373	2,0	53,28	61,8	60	95	60			

UNICASE™
Helical bevel gear units



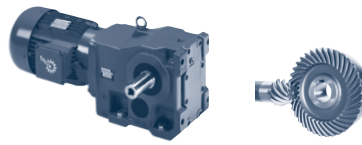
P_1 [kW]	n_2 [r/min]	M_2 [Nm]	f_B	i_{total}	F_R [kN]	F_A	$F_{R VL}$ [kN]	$F_{A VL}$ [kN]	Type	kg	mm E
18,5	24	7452	1,7	62,39	59,8	60	95	60	SK 9082.1 - 180 MP/4	735	E126
	21	8542	1,5	71,50	57,7	60	95	60			
	18	9901	1,3	82,88	54,8	60	95	60			
	15	11454	1,1	95,86	51,2	60	95	60			
	13	13912	0,9	116,45	45,0	60	95	60			
	12	14759	0,8	123,13	42,1	60	95	60	SK 9082.1/52 - 180 MP/4	811	E134
	42	4241	4,2	35,44	103,9	65	120	65	SK 9086.1 - 180 MP/4	985	E128
	35	5042	4,0	42,13	103,4	65	120	65			
	29	6019	3,3	50,30	102,7	65	120	65			
	25	7038	2,8	58,90	101,9	65	120	65			
	22	8067	2,5	67,50	100,8	65	120	65			
	19	9351	2,1	78,24	99,4	65	120	65			
	16	10818	1,8	90,50	97,4	65	120	65			
	13	13920	1,4	116,50	91,6	65	120	65			
	10	17290	1,0	144,60	83,5	65	120	65	SK 9086.1/52 - 180 MP/4	1061	E134
	8,6	20554	1,0	171,89	74,1	65	120	65			
	25	7008	4,6	58,66	101,9	70	160	70	SK 9092.1 - 180 MP/4	1555	E130
	21	8240	3,9	68,87	100,1	70	160	70			
	19	9548	3,4	80,00	97,9	70	160	70			
16	10949	2,9	91,60	95,3	70	160	70				
14	12219	2,6	102,28	93,0	70	160	70				
12	14353	2,2	120,23	88,8	70	155,5	70				
9,7	18276	1,8	152,96	80,5	70	145,6	70				
7,7	22893	1,4	191,28	69,5	70	133,1	70	SK 9092.1/52 - 180 MP/4	1631	E134	
6,6	26637	1,2	222,14	59,6	70	122,3	70				
5,3	33589	1,0	280,76	38,0	70	100,4	70				
17	10695	4,7	89,60	166,4	100			SK 9096.1 - 180 MP/4	1890	E132	
14	12196	4,1	102,18	164,4	100						
13	14107	3,5	118,18	162,2	100						
11	15923	3,1	133,53	159,8	100						
9,6	18417	2,7	154,29	156,7	100						
8,5	20699	2,4	173,41	153,5	100						
7,4	23941	2,1	200,57	149,2	100						
7,1	24942	2,0	208,95	147,5	100			SK 9096.1/62 - 180 MP/4	2021	E135	
6,3	27874	1,8	233,51	143,2	100						
5,5	32239	1,6	270,09	136,8	100						
5,0	35472	1,4	297,17	131,6	100						
4,6	38283	1,3	320,72	126,5	100						
4,0	44279	1,1	370,95	116,3	100						
3,4	51447	1,0	431,00	102,6	100						
3,1	56606	0,9	474,22	91,9	100						
22,0	166	1264	1,1	8,83	16,1	23,0	22,9	8,8	SK 9042.1 - 180 LP/4	260	E116
	157	1341	1,1	9,39	15,9	23,0	22,8	8,7			
	144	1460	1,0	10,21	15,5	23,1	22,6	8,6			
	129	1628	0,9	11,40	15,0	23,0	22,2	8,4			
	110	1911	1,0	13,40	14,0	22,7	21,3	7,9			
	94	2235	0,9	15,66	12,8	22,2	20,2	7,3			
	81	2599	0,9	18,20	11,6	23,2	21,0	7,6			
	72	2898	0,9	20,32	10,2	22,6	19,9	7,1			

UNICASE™
Helical bevel gear units



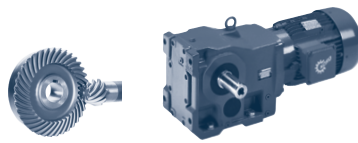
P_1 [kW]	n_2 [r/min]	M_2 [Nm]	f_B	i_{total}	F_R [kN]	F_A	$F_{R VL}$ [kN]	$F_{A VL}$	Type	kg	mm E
22,0	182	1157	2,2	8,10	30,2	45	38	25,6	SK 9052.1 - 180 LP/4	335	E120
	156	1347	1,9	9,40	29,9	45	38	26,4			
	149	1414	2,0	9,93	29,8	45	38	26,7			
	138	1526	1,9	10,71	29,7	45	38	27,1			
	124	1698	2,3	11,88	29,4	45	38	27,6			
	109	1923	2,2	13,45	29,0	45	38	28,3			
	90	2331	1,8	16,33	28,1	45	38	29,2			
	82	2551	1,7	17,94	27,6	45	38	30,2			
	74	2840	1,5	19,91	26,7	45	38	30,7			
	65	3216	1,3	22,53	25,5	45	38	31,3			
	63	3329	1,3	23,33	25,1	45	38	31,3			
	54	3898	1,2	27,35	22,6	45	37,1	32,0			
	47	4463	1,1	31,28	19,3	45	35,2	32,4			
	41	5157	0,9	36,21	13,4	45	32,3	32,7			
	37	5661	0,8	39,72	4,7	45	29,8	32,7			
	161	1303	3,6	9,16	39,0	50	61,9	22,1	SK 9072.1 - 180 LP/4	475	E124
	144	1456	3,2	10,19	40,0	50	63,3	22,6			
	129	1632	3,1	11,48	41,0	50	64,8	23,1			
	122	1718	2,9	12,06	41,4	50	65,5	23,3			
	118	1782	2,8	12,51	41,8	50	65,9	23,5			
	105	2000	2,6	14,06	42,7	50	66	24,0			
	95	2206	3,4	15,40	44,0	50	66	24,7			
	90	2341	3,2	16,44	44,7	50	66	25,1			
	80	2617	3,0	18,29	45,7	50	66	25,6			
	72	2933	2,9	20,61	46,7	50	66	26,1			
	66	3202	2,7	22,46	47,4	50	66	26,4			
	58	3594	2,4	25,24	48,2	50	66	26,8			
	50	4176	2,0	29,29	49,3	50	66	27,2			
	42	5008	1,7	35,19	50,4	50	66	27,6			
	36	5845	1,3	41,11	49,5	50	66	27,8			
	33	6383	1,2	44,81	48,2	50	66	27,8	SK 9082.1 - 180 LP/4	735	E126
	29	7163	1,1	50,35	45,8	50	66	27,7			
	25	8323	1,0	58,44	41,6	50	66	27,4			
	21	9982	0,9	70,22	33,3	50	66	26,7			
	119	1759	4,8	12,31	63,3	60	95	52			
	66	3196	4,1	22,37	66,7	60	95	60			
	55	3815	3,4	26,71	65,9	60	95	60			
	47	4461	2,9	31,27	64,9	60	95	60			
	41	5113	2,5	35,83	63,9	60	95	60			
	35	5927	2,2	41,54	62,6	60	95	60			
	33	6370	2,0	44,63	61,8	60	95	60			
	28	7604	1,7	53,28	59,5	60	95	60			
	24	8892	1,5	62,39	57,0	60	95	60			
	21	10192	1,3	71,50	54,1	60	95	60			
	18	11814	1,1	82,88	50,3	60	95	60			
	15	13667	1,0	95,86	45,3	60	95	60			
	50	4213	4,7	29,52	103,9	65	120	65	SK 9086.1 - 180 LP/4	985	E128
	42	5061	3,6	35,44	103,4	65	120	65			
	35	6016	3,3	42,13	102,7	65	120	65			
	29	7182	2,8	50,30	101,7	65	120	65			
	25	8398	2,4	58,90	100,5	65	120	65			
	22	9626	2,1	67,50	99,0	65	120	65			
	19	11158	1,8	78,24	96,9	65	120	65			
	16	12908	1,5	90,50	93,7	65	120	65			
	13	16610	1,2	116,50	85,7	65	120	65			

UNICASE™
Helical bevel gear units



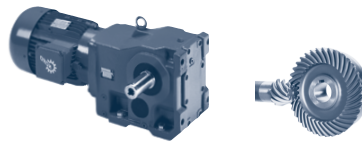
P_1 [kW]	n_2 [r/min]	M_2 [Nm]	f_B	i_{total}	F_R [kN]	F_A	$F_{R VL}$ [kN]	$F_{A VL}$	Type	kg	mm E																																																																																																																																																																																																																																																																																																																																																																																																																								
22,0	10	20630	0,9	144,60	73,8	65	120,0	65	SK 9086.1/52 - 180 LP/4	1061	E134																																																																																																																																																																																																																																																																																																																																																																																																																								
	8,6	24526	0,8	171,89	56,1	65	116,1	65				34	6221	4,5	43,68	103,2	70	160	70	SK 9092.1 - 180 LP/4	1555	E130	32	6554	4,9	46,02	103,0	70	160	70	31	6827	4,7	47,93	102,5	70	160	70	30	7086	4,5	49,75	101,8	70	160	70	25	8362	3,8	58,66	99,6	70	160	70	21	9832	3,3	68,87	97,4	70	160	70	18	11392	2,8	80,00	94,5	70	160	70	16	13065	2,4	91,60	91,3	70	158,6	70	14	14580	2,2	102,28	88,3	70	154,9	70	12	17126	1,9	120,23	83,0	70	148,5	70	9,6	21808	1,5	152,96	72,2	70	136,1	70	7,7	27316	1,2	191,28	57,7	70	120,2	70	SK 9092.1/52 - 180 LP/4	1631	E134	6,6	31784	1,0	222,14	44,1	70	106,3	70	21	10028	5,0	70,41	167,0	100			SK 9096.1 - 180 LP/4	1890	E132	18	11599	4,3	81,43	165,3	100			16	12762	3,9	89,60	163,9	100			14	14553	3,4	102,18	161,5	100			12	16832	3,0	118,18	158,8	100			11	18999	2,6	133,53	155,8	100			9,6	21975	2,3	154,29	151,9	100			8,5	24699	2,0	173,41	147,9	100			7,4	28567	1,8	200,57	142,4	100			7,1	29761	1,7	208,95	140,3	100			SK 9096.1/62 - 180 LP/4	2021	E135	6,3	33259	1,5	233,51	134,8	100			5,5	38469	1,3	270,09	126,6	100			5,0	42326	1,2	297,17	119,9	100			4,6	45680	1,1	320,72	113,3	100			4,0	52834	0,9	370,95	99,8	100			3,4	61388	0,8	431,00	81,2	100			30,0	183	1568	1,7	8,10	29,6	45	38	24,4	SK 9052.1 - 225 RP/4	495	E120	157	1824	1,4	9,40	29,2	45	38	25,1	150	1915	1,5	9,93	29,0	45	38	25,3	139	2066	1,4	10,71	28,7	45	38	25,6	125	2300	1,7	11,88	28,2	45	38	26,0	110	2605	1,7	13,45	27,4	45	38	26,5	91	3157	1,4	16,33	25,7	45	38	27,0	83	3456	1,2	17,94	24,6	45	38	28,0	74	3847	1,1	19,91	22,8	45	37,3	28,3	66	4356	1,0	22,53	20,0	45	35,6	28,5	64	4509	1,0	23,33	19,0	45	35,0	28,4	54	5280	0,9	27,35	11,9	45	31,8	28,7	162	1765	2,7	9,16	37,5	50	59,1	21,0	SK 9072.1 - 225 RP/4	635	E124	145	1972	2,4	10,19	38,3	50	60,2	21,4	130	2210	2,3	11,48	39,1	50	61,3	21,8	123	2326	2,1	12,06	39,5	50	61,8	22,0	119	2414	2,1	12,51	39,7	50	62,1	22,1	106	2709	1,9	14,06	40,4	50	63,1	22,4	96	2987	2,5	15,40	41,7	50	65,1	23,2	90	3171	2,4	16,44	42,3
	34	6221	4,5	43,68	103,2	70	160	70	SK 9092.1 - 180 LP/4	1555	E130																																																																																																																																																																																																																																																																																																																																																																																																																								
	32	6554	4,9	46,02	103,0	70	160	70																																																																																																																																																																																																																																																																																																																																																																																																																											
	31	6827	4,7	47,93	102,5	70	160	70																																																																																																																																																																																																																																																																																																																																																																																																																											
	30	7086	4,5	49,75	101,8	70	160	70																																																																																																																																																																																																																																																																																																																																																																																																																											
	25	8362	3,8	58,66	99,6	70	160	70																																																																																																																																																																																																																																																																																																																																																																																																																											
	21	9832	3,3	68,87	97,4	70	160	70																																																																																																																																																																																																																																																																																																																																																																																																																											
	18	11392	2,8	80,00	94,5	70	160	70																																																																																																																																																																																																																																																																																																																																																																																																																											
	16	13065	2,4	91,60	91,3	70	158,6	70																																																																																																																																																																																																																																																																																																																																																																																																																											
	14	14580	2,2	102,28	88,3	70	154,9	70																																																																																																																																																																																																																																																																																																																																																																																																																											
	12	17126	1,9	120,23	83,0	70	148,5	70																																																																																																																																																																																																																																																																																																																																																																																																																											
	9,6	21808	1,5	152,96	72,2	70	136,1	70	7,7	27316	1,2	191,28	57,7	70	120,2	70	SK 9092.1/52 - 180 LP/4	1631	E134	6,6	31784	1,0	222,14	44,1	70	106,3	70	21	10028	5,0	70,41	167,0	100			SK 9096.1 - 180 LP/4	1890	E132	18	11599	4,3	81,43	165,3	100			16	12762	3,9	89,60	163,9	100			14	14553	3,4	102,18	161,5	100			12	16832	3,0	118,18	158,8	100			11	18999	2,6	133,53	155,8	100			9,6	21975	2,3	154,29	151,9	100			8,5	24699	2,0	173,41	147,9	100			7,4	28567	1,8	200,57	142,4	100			7,1	29761	1,7	208,95	140,3	100			SK 9096.1/62 - 180 LP/4	2021	E135	6,3	33259	1,5	233,51	134,8	100			5,5	38469	1,3	270,09	126,6	100			5,0	42326	1,2	297,17	119,9	100			4,6	45680	1,1	320,72	113,3	100			4,0	52834	0,9	370,95	99,8	100			3,4	61388	0,8	431,00	81,2	100			30,0	183	1568	1,7	8,10	29,6	45	38	24,4	SK 9052.1 - 225 RP/4	495	E120	157	1824	1,4	9,40	29,2	45	38	25,1	150	1915	1,5	9,93	29,0	45	38	25,3	139	2066	1,4	10,71	28,7	45	38	25,6	125	2300	1,7	11,88	28,2	45	38	26,0	110	2605	1,7	13,45	27,4	45	38	26,5	91	3157	1,4	16,33	25,7	45	38	27,0	83	3456	1,2	17,94	24,6	45	38	28,0	74	3847	1,1	19,91	22,8	45	37,3	28,3	66	4356	1,0	22,53	20,0	45	35,6	28,5	64	4509	1,0	23,33	19,0	45	35,0	28,4	54	5280		0,9	27,35	11,9	45	31,8	28,7	162	1765				2,7	9,16	37,5	50	59,1	21,0	SK 9072.1 - 225 RP/4	635	E124	145	1972	2,4	10,19	38,3	50	60,2	21,4	130	2210	2,3	11,48	39,1	50	61,3	21,8	123	2326	2,1	12,06	39,5	50	61,8	22,0	119	2414	2,1	12,51	39,7	50	62,1	22,1	106	2709	1,9	14,06	40,4	50	63,1	22,4	96	2987	2,5	15,40	41,7	50	65,1	23,2	90	3171	2,4	16,44	42,3	50	66,0	23,5																																																																																							
	7,7	27316	1,2	191,28	57,7	70	120,2	70	SK 9092.1/52 - 180 LP/4	1631	E134																																																																																																																																																																																																																																																																																																																																																																																																																								
	6,6	31784	1,0	222,14	44,1	70	106,3	70				21	10028	5,0	70,41	167,0	100			SK 9096.1 - 180 LP/4	1890	E132	18	11599	4,3	81,43	165,3	100			16	12762	3,9	89,60	163,9				100			14	14553	3,4	102,18	161,5	100			12	16832	3,0	118,18	158,8	100			11	18999	2,6	133,53	155,8	100			9,6	21975	2,3	154,29	151,9	100			8,5	24699	2,0	173,41	147,9	100			7,4	28567	1,8	200,57	142,4	100			7,1	29761	1,7	208,95	140,3	100			SK 9096.1/62 - 180 LP/4	2021	E135	6,3	33259	1,5	233,51	134,8	100			5,5	38469				1,3	270,09	126,6	100			5,0	42326	1,2	297,17	119,9	100			4,6	45680	1,1	320,72	113,3	100			4,0	52834	0,9	370,95	99,8	100			3,4	61388	0,8	431,00	81,2	100			30,0	183	1568	1,7	8,10	29,6	45	38	24,4	SK 9052.1 - 225 RP/4		495	E120	157	1824	1,4	9,40	29,2	45				38	25,1	150	1915	1,5	9,93	29,0	45	38	25,3	139	2066	1,4	10,71	28,7	45	38	25,6	125	2300	1,7	11,88	28,2	45	38	26,0	110	2605	1,7	13,45	27,4	45	38	26,5	91	3157	1,4	16,33	25,7	45	38	27,0	83	3456	1,2	17,94	24,6	45	38	28,0	74	3847	1,1	19,91	22,8	45	37,3	28,3	66	4356	1,0	22,53	20,0	45	35,6	28,5	64	4509	1,0	23,33	19,0	45	35,0	28,4	54	5280	0,9	27,35	11,9	45	31,8	28,7		162	1765	2,7	9,16	37,5	50	59,1	21,0				SK 9072.1 - 225 RP/4	635	E124	145	1972	2,4				10,19	38,3	50	60,2	21,4	130	2210	2,3	11,48	39,1	50	61,3	21,8	123	2326	2,1	12,06	39,5	50	61,8	22,0	119	2414	2,1	12,51	39,7	50	62,1	22,1	106	2709	1,9	14,06	40,4	50	63,1	22,4	96	2987	2,5	15,40	41,7	50	65,1	23,2	90	3171	2,4	16,44	42,3	50	66,0	23,5																																																																																										
21	10028	5,0	70,41	167,0	100			SK 9096.1 - 180 LP/4	1890	E132																																																																																																																																																																																																																																																																																																																																																																																																																									
18	11599	4,3	81,43	165,3	100																																																																																																																																																																																																																																																																																																																																																																																																																														
16	12762	3,9	89,60	163,9	100																																																																																																																																																																																																																																																																																																																																																																																																																														
14	14553	3,4	102,18	161,5	100																																																																																																																																																																																																																																																																																																																																																																																																																														
12	16832	3,0	118,18	158,8	100																																																																																																																																																																																																																																																																																																																																																																																																																														
11	18999	2,6	133,53	155,8	100																																																																																																																																																																																																																																																																																																																																																																																																																														
9,6	21975	2,3	154,29	151,9	100																																																																																																																																																																																																																																																																																																																																																																																																																														
8,5	24699	2,0	173,41	147,9	100																																																																																																																																																																																																																																																																																																																																																																																																																														
7,4	28567	1,8	200,57	142,4	100						7,1	29761	1,7	208,95	140,3	100			SK 9096.1/62 - 180 LP/4	2021	E135	6,3	33259	1,5	233,51	134,8	100			5,5	38469	1,3	270,09	126,6	100			5,0	42326	1,2	297,17	119,9	100			4,6	45680	1,1	320,72	113,3	100			4,0	52834	0,9	370,95	99,8	100			3,4	61388	0,8	431,00	81,2	100			30,0	183	1568	1,7	8,10	29,6	45	38	24,4	SK 9052.1 - 225 RP/4	495	E120	157	1824	1,4	9,40	29,2	45	38	25,1	150	1915	1,5	9,93	29,0	45	38	25,3	139	2066	1,4	10,71	28,7	45	38	25,6	125	2300	1,7	11,88	28,2	45	38	26,0	110	2605	1,7	13,45	27,4	45	38	26,5	91	3157	1,4	16,33	25,7	45	38	27,0	83	3456	1,2	17,94	24,6	45	38	28,0	74	3847	1,1	19,91	22,8	45	37,3	28,3	66	4356	1,0	22,53	20,0	45		35,6	28,5	64	4509	1,0	23,33	19,0	45					35,0	28,4	54	5280	0,9	27,35				11,9	45	31,8	28,7	162	1765	2,7	9,16	37,5	50	59,1	21,0	SK 9072.1 - 225 RP/4	635	E124	145	1972	2,4	10,19	38,3	50	60,2	21,4	130	2210	2,3	11,48	39,1	50	61,3	21,8	123	2326	2,1	12,06	39,5	50	61,8	22,0	119	2414	2,1	12,51	39,7	50	62,1	22,1	106	2709	1,9	14,06	40,4	50	63,1	22,4	96	2987	2,5	15,40	41,7	50	65,1	23,2	90	3171	2,4	16,44	42,3	50	66,0	23,5																																																																																																																																																																															
7,1	29761	1,7	208,95	140,3	100			SK 9096.1/62 - 180 LP/4	2021	E135																																																																																																																																																																																																																																																																																																																																																																																																																									
6,3	33259	1,5	233,51	134,8	100																																																																																																																																																																																																																																																																																																																																																																																																																														
5,5	38469	1,3	270,09	126,6	100																																																																																																																																																																																																																																																																																																																																																																																																																														
5,0	42326	1,2	297,17	119,9	100																																																																																																																																																																																																																																																																																																																																																																																																																														
4,6	45680	1,1	320,72	113,3	100																																																																																																																																																																																																																																																																																																																																																																																																																														
4,0	52834	0,9	370,95	99,8	100																																																																																																																																																																																																																																																																																																																																																																																																																														
3,4	61388	0,8	431,00	81,2	100						30,0	183	1568	1,7	8,10	29,6	45	38	24,4	SK 9052.1 - 225 RP/4	495	E120	157	1824	1,4	9,40	29,2	45	38	25,1	150	1915	1,5	9,93	29,0	45	38	25,3	139	2066	1,4	10,71	28,7	45	38	25,6	125	2300	1,7	11,88	28,2	45	38	26,0	110	2605	1,7	13,45	27,4	45	38	26,5	91	3157	1,4	16,33	25,7	45	38		27,0	83	3456	1,2	17,94	24,6	45	38				28,0	74	3847	1,1	19,91	22,8	45	37,3	28,3	66	4356	1,0	22,53	20,0	45	35,6	28,5	64	4509	1,0	23,33	19,0	45	35,0	28,4	54	5280	0,9	27,35	11,9	45	31,8	28,7	162	1765	2,7	9,16	37,5	50	59,1	21,0	SK 9072.1 - 225 RP/4	635	E124	145	1972	2,4	10,19	38,3	50	60,2	21,4	130	2210	2,3	11,48	39,1	50	61,3	21,8	123	2326	2,1	12,06	39,5	50	61,8	22,0	119	2414	2,1	12,51	39,7	50	62,1	22,1	106	2709	1,9	14,06	40,4	50	63,1	22,4	96	2987	2,5	15,40	41,7	50	65,1	23,2	90	3171	2,4	16,44	42,3	50	66,0	23,5																																																																																																																																																																																																																																														
30,0	183	1568	1,7	8,10	29,6	45	38	24,4	SK 9052.1 - 225 RP/4	495		E120																																																																																																																																																																																																																																																																																																																																																																																																																							
	157	1824	1,4	9,40	29,2	45	38	25,1																																																																																																																																																																																																																																																																																																																																																																																																																											
	150	1915	1,5	9,93	29,0	45	38	25,3																																																																																																																																																																																																																																																																																																																																																																																																																											
	139	2066	1,4	10,71	28,7	45	38	25,6																																																																																																																																																																																																																																																																																																																																																																																																																											
	125	2300	1,7	11,88	28,2	45	38	26,0																																																																																																																																																																																																																																																																																																																																																																																																																											
	110	2605	1,7	13,45	27,4	45	38	26,5																																																																																																																																																																																																																																																																																																																																																																																																																											
	91	3157	1,4	16,33	25,7	45	38	27,0																																																																																																																																																																																																																																																																																																																																																																																																																											
	83	3456	1,2	17,94	24,6	45	38	28,0																																																																																																																																																																																																																																																																																																																																																																																																																											
	74	3847	1,1	19,91	22,8	45	37,3	28,3																																																																																																																																																																																																																																																																																																																																																																																																																											
	66	4356	1,0	22,53	20,0	45	35,6	28,5																																																																																																																																																																																																																																																																																																																																																																																																																											
	64	4509	1,0	23,33	19,0	45	35,0	28,4																																																																																																																																																																																																																																																																																																																																																																																																																											
	54	5280	0,9	27,35	11,9	45	31,8	28,7																																																																																																																																																																																																																																																																																																																																																																																																																											
	162	1765	2,7	9,16	37,5	50	59,1	21,0					SK 9072.1 - 225 RP/4	635	E124																																																																																																																																																																																																																																																																																																																																																																																																																				
	145	1972	2,4	10,19	38,3	50	60,2	21,4																																																																																																																																																																																																																																																																																																																																																																																																																											
	130	2210	2,3	11,48	39,1	50	61,3	21,8																																																																																																																																																																																																																																																																																																																																																																																																																											
123	2326	2,1	12,06	39,5	50	61,8	22,0																																																																																																																																																																																																																																																																																																																																																																																																																												
119	2414	2,1	12,51	39,7	50	62,1	22,1																																																																																																																																																																																																																																																																																																																																																																																																																												
106	2709	1,9	14,06	40,4	50	63,1	22,4																																																																																																																																																																																																																																																																																																																																																																																																																												
96	2987	2,5	15,40	41,7	50	65,1	23,2																																																																																																																																																																																																																																																																																																																																																																																																																												
90	3171	2,4	16,44	42,3	50	66,0	23,5																																																																																																																																																																																																																																																																																																																																																																																																																												

UNICASE™
Helical bevel gear units



P_1 [kW]	n_2 [r/min]	M_2 [Nm]	f_B	i_{total}	F_R [kN]	F_A	$F_{R VL}$ [kN]	$F_{A VL}$	Type	kg	mm E				
30,0	81	3544	2,2	18,29	43,0	50	66	23,8	SK 9072.1 - 225 RP/4	635	E124				
	72	3972	2,1	20,61	43,6	50	66	24							
	66	4337	2,0	22,46	44,1	50	66	24,2							
	59	4868	1,7	25,24	44,6	50	66	24,3							
	51	5656	1,5	29,29	45,0	50	66	24,3							
	42	6783	1,3	35,19	45,3	50	66	24,2							
	36	7917	1,0	41,11	43,2	50	66	23,8							
	33	8645	0,9	44,81	40,3	50	66	23,4							
	30	9702	0,8	50,35	35,0	50	64,7	22,8							
		184	1554	4,6	8,04	55,5	60	95				45,6	SK 9082.1 - 225 RP/4	895	E126
		156	1840	4,7	9,54	57,9	60	95				47,6			
		120	2382	3,5	12,31	61,6	60	95				50,7			
		101	2823	4,6	14,61	64,6	60	95				53,3			
	86	3344	3,9	17,35	66,5	60	95	55,5							
	66	4329	3,0	22,37	65,1	60	95	58,8							
	55	5167	2,5	26,71	63,8	60	95	60							
	47	6042	2,2	31,27	62,4	60	95	60							
	41	6926	1,9	35,83	60,8	60	95	60							
	36	8028	1,6	41,54	58,7	60	95	60							
	33	8628	1,5	44,63	57,5	60	95	60							
	28	10300	1,3	53,28	53,9	60	95	60							
	24	12044	1,1	62,39	49,7	60	95	60							
	21	13805	0,9	71,50	44,9	60	95	60							
	18	16001	0,8	82,88	38,1	60	95	60							
	70	4088	4,9	21,12	93,8	65	120	65	SK 9086.1 - 225 RP/4	1145	E128				
	59	4880	4,1	25,21	97,8	65	120	65							
	50	5707	3,5	29,52	101,2	65	120	65							
	42	6855	2,6	35,44	102,0	65	120	65							
	35	8149	2,5	42,13	100,8	65	120	65							
	29	9728	2,1	50,30	98,9	65	120	65							
	25	11375	1,8	58,90	96,6	65	120	65							
	22	13038	1,5	67,50	93,4	65	120	65							
	19	15112	1,3	78,24	89,1	65	120	65							
	16	17483	1,1	90,50	83,7	65	120	65							
	44	6584	4,9	34,15	102,6	70	160	70	SK 9092.1 - 225 RP/4	1715	E130				
	38	7550	4,2	39,10	101,0	70	160	70							
	36	7864	4,1	40,65	100,4	70	160	70							
	34	8426	3,3	43,68	99,4	70	160	70							
	32	8878	3,6	46,02	99,0	70	160	70							
	31	9247	3,5	47,93	98,4	70	160	70							
	30	9597	3,3	49,75	97,4	70	160	70							
	25	11325	2,8	58,66	94,1	70	160	70							
	22	13317	2,4	68,87	90,9	70	158	70							
	19	15430	2,1	80,00	86,6	70	152,8	70							
	16	17695	1,8	91,60	81,8	70	147,1	70							
	15	19748	1,6	102,28	77,1	70	141,7	70							
	12	23196	1,4	120,23	68,7	70	132,2	70							
	28	10407	4,3	53,95	166,6	100			SK 9096.1 - 225 RP/4	2050	E132				
	24	12037	4,2	62,39	164,8	100									
	21	13583	3,7	70,41	162,7	100									
	18	15710	3,2	81,43	160,2	100									
	17	17285	2,9	89,60	158,2	100									

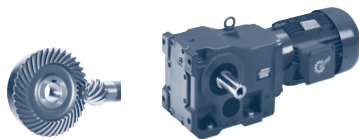
UNICASE™
Helical bevel gear units



P_1 [kW]	n_2 [r/min]	M_2 [Nm]	f_B	i_{total}	F_R [kN]	F_A	$F_{R VL}$ [kN]	$F_{A VL}$	Type	kg	mm E			
30,0	15	19711	2,5	102,18	154,8	100			SK 9096.1 - 225 RP/4	2050	E132			
	13	22799	2,2	118,18	150,8	100								
	11	25733	1,9	133,53	146,4	100								
	9,6	29764	1,7	154,29	140,6	100								
	8,6	33454	1,5	173,41	134,5	100								
	7,4	38693	1,3	200,57	126,2	100								
	7,1	40310	1,2	208,95	123,0	100								
	6,4	45048	1,1	233,51	114,4	100								
	5,5	52104	1,0	270,09	101,3	100								
	5,0	57328	0,9	297,17	90,3	100								
4,6	61871	0,8	320,72	79,5	100									
37,0	183	1933	1,3	8,10	29,0	45	38	23,5	SK 9052.1 - 225 SP/4	510	E120			
	157	2250	1,2	9,40	28,3	45	38	24,0						
	150	2361	1,2	9,93	28,1	45	38	24,2						
	139	2549	1,1	10,71	27,6	45	38	24,4						
	125	2837	1,4	11,88	26,8	45	38	24,6						
	110	3212	1,3	13,45	25,5	45	38	24,9						
	91	3894	1,1	16,33	22,6	45	37,1	25,1						
	83	4262	1,0	17,94	20,6	45	35,9	26,2						
	74	4744	0,9	19,91	17,3	45	34,1	26,2						
	66	5372	0,8	22,53	10,7	45	31,3	26,2						
	162	2177	2,2	9,16	36,2	50	56,7	20,2				SK 9072.1 - 225 SP/4	650	E124
	145	2432	1,9	10,19	36,9	50	57,5	20,5						
	130	2726	1,8	11,48	37,5	50	58,3	20,7						
	123	2869	1,7	12,06	37,8	50	58,6	20,8						
	119	2977	1,7	12,51	38,0	50	58,8	20,9						
	106	3341	1,6	14,06	38,5	50	59,4	21,1						
	96	3684	2,0	15,40	39,7	50	61,3	21,8						
	90	3911	1,9	16,44	40,2	50	62,1	22,1						
81	4371	1,8	18,29	40,7	50	62,5	22,2							
72	4899	1,7	20,61	41,0	50	62,7	22,2							
66	5349	1,6	22,46	41,2	50	62,7	22,2							
59	6003	1,4	25,24	41,4	50	62,5	22,1							
51	6975	1,2	29,29	41,3	50	61,8	21,8							
42	8365	1,0	35,19	40,8	50	60,0	21,1							
184	1916	3,8	8,04	54,6	60	95	44,9	SK 9082.1 - 225 SP/4	910	E126				
156	2269	3,8	9,54	56,8	60	95	46,8							
120	2938	2,9	12,31	60,2	60	95	49,7							
101	3482	3,7	14,61	63,1	60	95	52,2							
86	4124	3,2	17,35	65,4	60	95	54,2							
66	5339	2,4	22,37	63,5	60	95	57,1							
55	6373	2,0	26,71	61,8	60	95	59,0							
47	7452	1,7	31,27	59,8	60	95	60,0							
41	8542	1,5	35,83	57,7	60	95	60,0							
36	9901	1,3	41,54	54,8	60	95	60,0							
33	10641	1,2	44,63	53,1	60	95	60,0							
28	12703	1,0	53,28	48,0	60	95	60,0							
24	14854	0,9	62,39	41,8	60	95	60,0							
120	2940	4,8	12,31	80,3	65	120	58,5				SK 9086.1 - 225 SP/4	1160	E128	
101	3510	4,3	14,70	83,7	65	120	61,0							
91	3895	4,9	16,38	86,6	65	120	63,1							
83	4241	4,5	17,77	88,1	65	120	64,3							

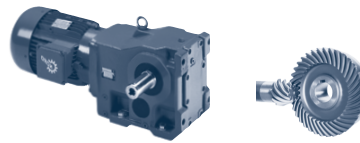
UNICASE™
Helical bevel gear units

37,0 kW
45,0 kW



P_1 [kW]	n_2 [r/min]	M_2 [Nm]	f_B	i_{total}	F_R [kN]	F_A	$F_{R VL}$ [kN]	$F_{A VL}$	Type	kg	mm				
37,0	70	5042	4,0	21,12	91,8	65	120	65	SK 9086.1 - 225 SP/4	1160	E128				
	59	6019	3,3	25,21	95,4	65	120	65							
	50	7038	2,8	29,52	98,4	65	120	65							
	42	8454	2,1	35,44	100,4	65	120	65							
	35	10050	2,0	42,13	98,5	65	120	65							
	29	11997	1,7	50,30	95,5	65	120	65							
	25	14029	1,4	58,90	91,4	65	120	65							
	22	16080	1,2	67,50	86,9	65	120	65							
	19	18639	1,1	78,24	80,5	65	120	65							
	16	21562	0,9	90,50	70,2	65	120	65							
		86	4115	5,0	17,26	106,2	70	160				70	SK 9092.1 - 225 SP/4	1730	E130
		51	6982	4,6	29,28	102,3	70	160				70			
		44	8120	3,9	34,15	100,0	70	160				70			
		38	9312	3,4	39,10	97,9	70	160				70			
36		9699	3,3	40,65	97,2	70	160	70							
34		10392	2,7	43,68	95,9	70	160	70							
32		10949	2,9	46,02	95,3	70	160	70							
31		11405	2,8	47,93	94,5	70	160	70							
30		11836	2,7	49,75	93,2	70	160	70							
25		13968	2,3	58,66	88,9	70	155,5	70							
22		16424	1,9	68,87	84,5	70	150,3	70							
19		19031	1,7	80,00	78,8	70	143,6	70							
16		21824	1,5	91,60	72,2	70	136,0	70							
15		24356	1,3	102,28	65,7	70	128,9	70							
12	28609	1,1	120,23	53,9	70	116,3	70								
	31	11371	4,4	47,79	165,6	100			SK 9096.1 - 225 SP/4	2065	E132				
	28	12835	3,5	53,95	163,7	100									
	24	14846	3,4	62,39	161,3	100									
	21	16752	3,0	70,41	158,7	100									
	18	19376	2,6	81,43	155,5	100									
	17	21318	2,3	89,60	152,8	100									
	15	24311	2,1	102,18	148,4	100									
	13	28118	1,8	118,18	143,1	100									
	11	31738	1,6	133,53	137,2	100									
	9,6	36709	1,4	154,29	129,6	100									
	8,6	41259	1,2	173,41	121,3	100									
	7,4	47722	1,0	200,57	109,9	100									
		7,1	49715	1,0	208,95	105,5	100						SK 9096.1/62 - 225 SP/4	2196	E135
		6,4	55559	0,9	233,51	93,5	100								
45,0	162	2647	1,8	9,16	34,7	48,4	53,9	19,2	SK 9072.1 - 225 MP/4	685	E124				
	145	2958	1,6	10,19	35,2	49,1	54,5	19,3							
	130	3316	1,5	11,48	35,7	49,7	54,9	19,5							
	123	3490	1,4	12,06	35,8	50	55,0	19,5							
	119	3620	1,4	12,51	36,0	50	55,1	19,5							
	106	4063	1,3	14,06	36,2	50	55,2	19,6							
	96	4481	1,7	15,40	37,4	50	57,0	20,2							
	90	4757	1,6	16,44	37,8	50	57,7	20,5							
	81	5316	1,5	18,29	38,0	50	57,6	20,4							
	72	5958	1,4	20,61	38,0	50	57,2	20,2							
	66	6506	1,3	22,46	38,0	50	56,7	20,0							
	59	7301	1,2	25,24	37,7	50	55,7	19,6							
	51	8483	1,0	29,29	37,1	50	53,9	18,9							

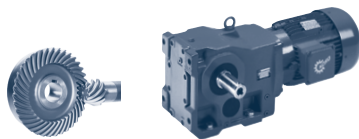
UNICASE™
Helical bevel gear units



P_1 [kW]	n_2 [r/min]	M_2 [Nm]	f_B	i_{total}	F_R [kN]	F_A	$F_{R VL}$ [kN]	$F_{A VL}$	Type	kg	mm E
45,0	184	2330	3,1	8,04	53,6	60	95	44,2	SK 9082.1 - 225 MP/4	945	E126
	156	2760	3,2	9,54	55,6	60	95	45,9			
	134	3213	2,8	11,10	57,4	60	95	47,5			
	120	3573	2,4	12,31	58,6	60	95	48,5			
	101	4235	3,1	14,61	61,4	60	95	51,0			
	86	5015	2,6	17,35	63,4	60	95	52,7			
	74	5840	2,2	20,16	62,7	60	95	54,2			
	66	6493	2,0	22,37	61,6	60	95	55,2			
	55	7751	1,7	26,71	59,2	60	95	56,7			
	47	9064	1,4	31,27	56,6	60	95	57,9			
	41	10389	1,3	35,83	53,7	60	95	58,8			
	36	12042	1,1	41,54	49,7	60	95	59,5			
	33	12942	1,0	44,63	47,3	60	95	59,7			
	28	15450	0,8	53,28	39,9	60	95	60,0			
	156	2762	4,7	9,55	74,2	65	120	54,1	SK 9086.1 - 225 MP/4	1195	E128
	120	3576	3,9	12,31	78,8	65	120	57,5			
	101	4268	3,5	14,70	82,0	65	120	59,8			
	91	4737	4,0	16,38	84,8	65	120	61,9			
	83	5158	3,7	17,77	86,1	65	120	62,9			
	70	6132	3,3	21,12	89,6	65	120	65			
	59	7320	2,7	25,21	92,6	65	120	65			
	50	8560	2,3	29,52	95,2	65	120	65			
	42	10282	1,8	35,44	97,4	65	120	65			
	35	12223	1,6	42,13	95,1	65	120	65			
	29	14591	1,4	50,30	90,2	65	120	65			
	25	17062	1,2	58,90	84,7	65	120	65			
	22	19557	1,0	67,50	77,6	65	120	65			
	19	22669	0,9	78,24	65,5	65	120	65			
	105	4101	4,7	14,10	106,3	70	160	70	SK 9092.1 - 225 MP/4	1765	E130
	86	5004	4,1	17,26	104,8	70	160	70			
	60	7222	4,4	24,94	101,5	70	160	70			
	51	8492	3,8	29,28	99,7	70	160	70			
	44	9875	3,2	34,15	96,8	70	160	70			
	38	11325	2,8	39,10	94,1	70	160	70			
	36	11796	2,7	40,65	93,2	70	160	70			
	34	12639	2,2	43,68	91,6	70	158,8	70			
	32	13316	2,4	46,02	90,9	70	158	70			
	31	13871	2,3	47,93	89,8	70	156,7	70			
	30	14396	2,2	49,75	88,1	70	154,4	70			
	25	16988	1,9	58,66	82,5	70	147,8	70			
	22	19975	1,6	68,87	76,6	70	141,1	70			
	19	23146	1,4	80,00	68,9	70	132,4	70			
	16	26543	1,2	91,60	59,8	70	122,5	70			
	15	29622	1,1	102,28	50,9	70	113,2	70			
	41	10486	4,8	36,24	166,6	100			SK 9096.1 - 225 MP/4	2100	E132
	36	11957	4,2	41,32	164,7	100					
	31	13830	3,6	47,79	162,6	100					
	28	15610	2,9	53,95	160,2	100					
	26	16279	3,1	56,26	159,3	100					
	24	18055	2,8	62,39	157,2	100					
	23	18829	2,7	65,07	156,2	100					
	21	20374	2,5	70,41	153,9	100					
	18	23565	2,1	81,43	149,7	100					

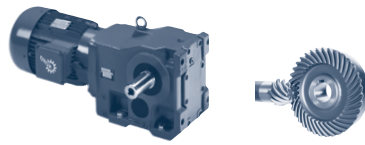
UNICASE™
Helical bevel gear units

45,0 kW
55,0 kW



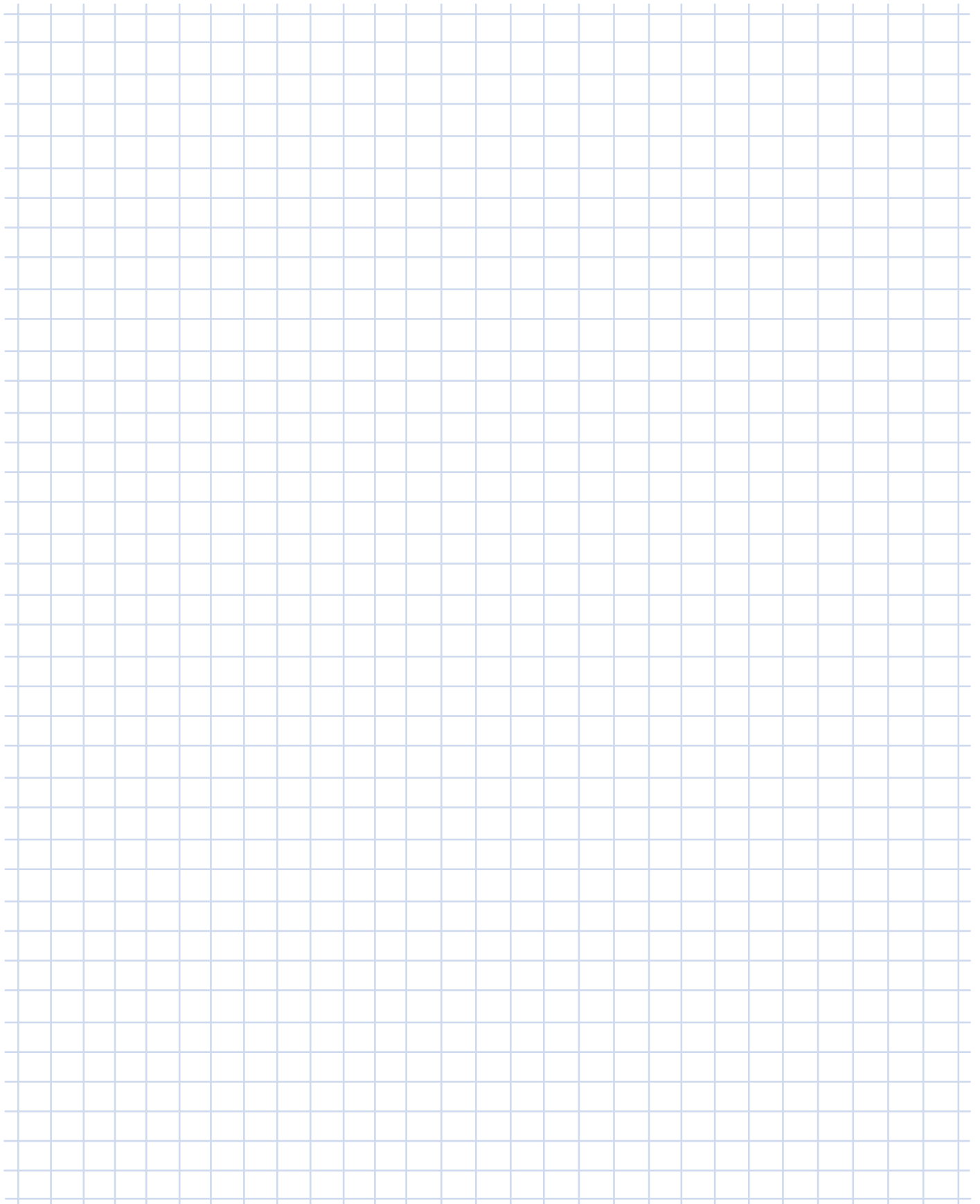
P_1 [kW]	n_2 [r/min]	M_2 [Nm]	f_B	i_{total}	F_R [kN]	F_A	$F_{R VL}$ [kN]	$F_{A VL}$	Type	kg	mm E			
45,0	17	25928	1,9	89,60	146,3	100			SK 9096.1 - 225 MP/4	2100	E132			
	15	29567	1,7	102,18	140,6	100								
	13	34198	1,5	118,18	133,7	100								
	11	38600	1,3	133,53	126,0	100								
	9,6	44646	1,1	154,29	115,7	100								
	7,1	60464	0,8	208,95	82,7	100						SK 9096.1/62 - 225 MP/4	2231	E135
55,0	184	2858	2,5	8,04	52,3	60	95	43,3	SK 9082.1 - 250 WP/4	980	E126			
	155	3384	2,6	9,54	54,1	60	95	44,8						
	133	3941	2,3	11,10	55,7	60	95	46,2						
	120	4382	1,9	12,31	56,7	60	95	47,1						
	101	5194	2,5	14,61	59,3	60	95	49,5						
	85	6150	2,1	17,35	60,9	60	95	50,9						
	73	7162	1,8	20,16	60,4	60	95	52,1						
	66	7963	1,6	22,37	58,8	60	95	52,8						
	55	9505	1,4	26,71	55,7	60	95	53,9						
	47	11115	1,2	31,27	52,0	60	95	54,6						
	41	12740	1,0	35,83	47,9	60	95	55,0						
	36	14767	0,9	41,54	42,1	60	95	55,0						
	33	15872	0,8	44,63	38,5	60	95	55,0						
	184	2860	4,5	8,04	70,1	65	120	51,1				SK 9086.1 - 250 WP/4	1230	E128
	155	3387	3,8	9,55	72,8	65	120	53,1						
	127	4126	4,1	11,60	76,7	65	120	56,0						
	120	4385	3,2	12,31	77,0	65	120	56,3						
	100	5235	2,9	14,70	79,8	65	120	58,4						
	90	5809	3,3	16,38	82,7	65	120	60,5						
	83	6326	3,0	17,77	83,7	65	120	61,3						
70	7520	2,7	21,12	86,7	65	120	63,6							
59	8977	2,2	25,21	89,3	65	120	65							
50	10498	1,9	29,52	91,3	65	120	65							
42	12609	1,4	35,44	92,5	65	120	65							
35	14990	1,3	42,13	89,3	65	120	65							
29	17894	1,1	50,30	82,6	65	120	65							
25	20924	1,0	58,90	72,7	65	120	65							
22	23984	0,8	67,50	59,1	65	117,6	65							
138	3801	4,7	10,68	106,8	70	160	70	SK 9092.1 - 250 WP/4	1800	E130				
128	4102	4,5	11,55	106,3	70	160	70							
104	5029	3,9	14,10	104,7	70	160	70							
86	6137	3,3	17,26	102,8	70	160	70							
72	7258	4,4	20,38	101,5	70	160	70							
59	8857	3,6	24,94	98,7	70	160	70							
50	10414	3,1	29,28	96,3	70	160	70							
43	12111	2,6	34,15	92,6	70	160	70							
38	13889	2,3	39,10	89,1	70	155,7	70							
36	14467	2,2	40,65	87,9	70	154,2	70							
34	15500	1,8	43,68	85,8	70	151,6	70							
32	16331	2,0	46,02	84,7	70	150,6	70							
31	17010	1,9	47,93	83,3	70	148,8	70							
30	17654	1,8	49,75	81,1	70	146,0	70							
25	20833	1,5	58,66	73,6	70	137,4	70							
21	24496	1,3	68,87	65,4	70	128,5	70							
19	28385	1,1	80,00	54,6	70	117,0	70							
16	32551	1,0	91,60	41,5	70	103,8	70							
14	36327	0,9	102,28	28,0	70	91,0	70							

UNICASE™
Helical bevel gear units

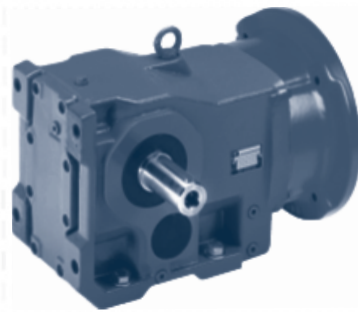
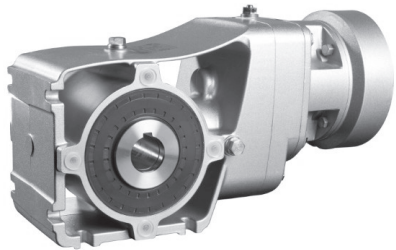
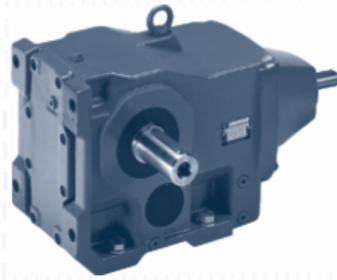
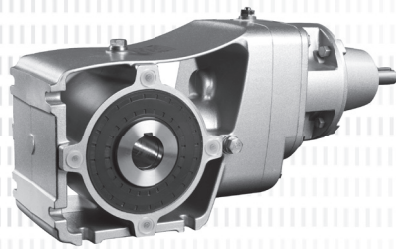


P_1 [kW]	n_2 [r/min]	M_2 [Nm]	f_B	i_{total}	F_R [kN]	F_A	$F_{R VL}$ [kN]	$F_{A VL}$ [kN]	Type	kg	mm E132
55,0	52	10104	4,9	28,47	167,0	100			SK 9096.1 - 250 WP/4	2135	E132
	45	11687	4,3	32,93	165,2	100					
	41	12859	3,9	36,24	163,8	100					
	36	14664	3,4	41,32	161,4	100					
	31	16960	2,9	47,79	158,6	100					
	27	19144	2,4	53,95	155,6	100					
	26	19964	2,5	56,26	154,5	100					
	24	22142	2,3	62,39	151,7	100					
	23	23090	2,2	65,07	150,4	100					
	21	24985	2,0	70,41	147,4	100					
	18	28899	1,7	81,43	141,9	100					
	17	31797	1,6	89,60	137,5	100					
	14	36259	1,4	102,18	129,9	100					
	13	41939	1,2	118,18	120,6	100					
	11	47337	1,1	133,53	110,1	100					
	9,6	54752	0,9	154,29	95,8	100					

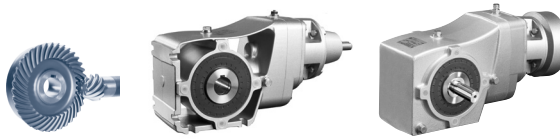
Notes



NORDBLOC.1 & UNICASE™ Helical bevel gear units



SK 920072.1 SK 930072.1



	i_{Total}	n_2 $n_1 =$ 1400 r/min [r/min]	M_{2max} $f_B = 1$ [Nm]	W			IEC						
				P_{1max}			$f_B \geq 1$			$f_B \Rightarrow$ E4-56			
				$n_1 =$ 1400 r/min [kW]	$n_1 =$ 930 r/min [kW]	$n_1 =$ 700 r/min [kW]	IEC 63	IEC 71	IEC 80				
SK 920072.1	47,67	29	37,5	0,12	0,077	0,058	*	*	*				
SK 930072.1	41,56	34	37,5	0,13	0,088	0,066	*	*	*				
W	36,67	38	37,5	0,15	0,10	0,075	*	*	*				
	31,57	44	37,5	0,17	0,12	0,087	*	*	*				
	27,52	51	40	0,21	0,14	0,11		*	*				
$\frac{mm}{mm}$	24,29	58	45	0,27	0,18	0,14		*	*				
\Rightarrow E136, 138	20,53	68	45	0,32	0,21	0,16		*	*				
	18,52	76	50	0,40	0,26	0,20			*				
	16,00	88	50	0,46	0,3	0,23			*				
	13,53	103	50	0,54	0,36	0,27			*				
IEC	12,33	114	50	0,59	0,39	0,30			*				
	10,43	134	50	0,70	0,47	0,35			*				
$\frac{mm}{mm}$	8,97	156	50	0,75	0,54	0,41							
\Rightarrow E144, 146	7,58	185	50	0,75	0,64	0,48							
	6,67	210	50	0,75	0,73	0,55							
	6,40	219	50	0,75	0,75	0,57							
	5,64	248	45	0,75	0,75	0,59							
	5,17	271	37,5	0,75	0,71	0,53							
	4,50	311	40	0,75	0,75	0,65							
	3,97	352	40	0,75	0,75	0,74							
	3,36	417	40	0,75	0,75	0,75							
	3,03	463	40	0,75	0,75	0,75							

* Achtung, überschreiten Sie nicht die maximale Antriebsleistung P1max gemäß der Spalte Typ W

kg	W	IEC 63	IEC 71	IEC 80
SK 920072.1	1,5	1	1	1
SK 930072.1	1,5	1	1	1



	i_{Total}	n_2 $n_1 =$ 1400 r/min [r/min]	M_{2max} $f_B = 1$ [Nm]	W			IEC								
				P_{1max} [kW]	$f_B \geq 1$			$f_B \Rightarrow$ E4-56							
					$n_1 =$ 1400 r/min [kW]	$n_1 =$ 930 r/min [kW]	$n_1 =$ 700 r/min [kW]	IEC 56	IEC 63	IEC 71	IEC 80	IEC 90	IEC 100	IEC 112	
SK 92072.1	61,88	23	59	0,14	0,09	0,07		*	*	*					
SK 93072.1	53,78	26	52	0,14	0,09	0,07		*	*	*					
W	47,67	29	46	0,14	0,09	0,07		*	*	*					
	40,98	34	59	0,21	0,14	0,11			*	*					
	35,62	39	65	0,27	0,18	0,13			*	*					
$\frac{I}{mm}$	31,57	44	65	0,30	0,20	0,15			*	*					
\Rightarrow E136, 138	27,16	52	65	0,35	0,23	0,18			*	*					
	24,07	58	79	0,48	0,32	0,24				*					
	20,80	67	81	0,57	0,38	0,29				*					
	18,52	76	60	0,47	0,32	0,24				*					
IEC	16,00	88	66	0,60	0,40	0,30				*					
	12,78	110	59	0,68	0,45	0,34				*					
$\frac{I}{mm}$	11,11	126	65	0,86	0,57	0,43									
\Rightarrow E144, 146	9,85	142	76	1,10	0,73	0,55									
	8,67	162	74	1,10	0,73	0,55									
	7,58	185	72	1,10	0,73	0,55									
	6,67	210	68	1,10	0,73	0,55									
	5,83	240	72	1,10	0,73	0,55									
	5,17	271	67	1,10	0,73	0,55									
	4,65	301	65	1,10	0,73	0,55									
	3,97	353	68	1,10	0,73	0,55									
	3,58	391	66	1,10	0,73	0,55									

* Achtung, überschreiten Sie nicht die maximale Antriebsleistung P1max gemäß der Spalte Typ W

	W	IEC ...
SK 92072.1	4	4
SK 93072.1	4	4

SK 92172.1 SK 93172.1



	i_{Total}	n_2 $n_1 =$ 1400 r/min [r/min]	M_{2max} $f_B = 1$ [Nm]	W			IEC								
				P_{1max}			$f_B \Rightarrow$ E4-56								
				$n_1 =$ 1400 r/min [kW]	$n_1 =$ 930 r/min [kW]	$n_1 =$ 700 r/min [kW]	IEC 56	IEC 63	IEC 71	IEC 80	IEC 90				
SK 92172.1	70,00	20	73	0,15	0,10	0,08		*							
SK 93172.1	63,78	22	67	0,15	0,10	0,08		*							
	56,00	25	59	0,15	0,10	0,08		*							
W	46,43	30	93	0,29	0,20	0,15			*						
	42,30	33	103	0,36	0,24	0,18			*						
$\frac{h}{mm}$	38,75	36	93	0,35	0,23	0,18			*						
\Rightarrow E136, 138	37,14	38	90	0,36	0,24	0,18			*						
	35,31	40	108	0,45	0,30	0,22									
	31,00	45	108	0,51	0,34	0,26									
	28,24	50	108	0,56	0,37	0,28				*					
IEC	24,80	56	120	0,71	0,47	0,35				*					
	20,67	68	104	0,74	0,49	0,37				*					
$\frac{h}{mm}$	15,23	92	93	0,90	0,59	0,45									
\Rightarrow E144, 146	13,87	101	108	1,14	0,76	0,57									
	12,34	114	108	1,28	0,85	0,64									
	12,18	115	114	1,37	0,91	0,69									
	10,83	129	113	1,50	1,00	0,75									
	10,15	138	95	1,37	0,91	0,69									
	9,49	148	107	1,50	1,00	0,75									
	9,03	155	94	1,50	1,00	0,75									
	8,33	168	115	1,50	1,00	0,75									
	7,83	179	111	1,50	1,00	0,75									
	6,94	202	110	1,50	1,00	0,75									
	6,53	214	93	1,50	1,00	0,75									
	5,77	243	92	1,50	1,00	0,75									
	5,26	266	107	1,50	1,00	0,75									
	4,89	286	107	1,50	1,00	0,75									
	4,30	326	106	1,50	1,00	0,75									
	3,85	364	89	1,50	1,00	0,75									
	3,58	391	88	1,50	1,00	0,75									

* Achtung, überschreiten Sie nicht die maximale Antriebsleistung P1max gemäß der Spalte Typ W

kg	W	IEC ...
SK 92172.1	7	7
SK 93172.1	7	7



	i_{Total}	n_2 $n_1 =$ 1400 r/min [r/min]	M_{2max} $f_B = 1$ [Nm]	W			IEC							
				P_{1max}			$f_B \Rightarrow$ E4-56							
				$n_1 =$ 1400 r/min [kW]	$n_1 =$ 930 r/min [kW]	$n_1 =$ 700 r/min [kW]	IEC 63	IEC 71	IEC 80	IEC 90	IEC 100	IEC 112	IEC 132	
SK 92372.1	55,49	25	158	0,42	0,28	0,21			*	*				
SK 93372.1	49,46	28	141	0,42	0,28	0,21			*	*				
	46,64	30	184	0,58	0,38	0,29			*	*				
W	41,46	34	184	0,65	0,43	0,33			*	*				
\updownarrow	36,80	38	184	0,73	0,49	0,37			*	*				
\updownarrow mm	32,80	43	198	0,89	0,59	0,44				*				
\Rightarrow E137, 139	28,11	50	184	0,96	0,64	0,48				*				
	25,06	56	219	1,28	0,85	0,64				*				
	22,49	62	184	1,20	0,80	0,60				*				
	20,04	70	219	1,60	1,06	0,80								
IEC	18,33	76	183	1,46	0,97	0,73				*				
\updownarrow	15,84	88	184	1,70	1,13	0,85								
\updownarrow mm	14,12	99	218	2,26	1,50	1,13								
\Rightarrow E145, 147	12,56	112	184	2,15	1,43	1,07					*			
	11,20	125	218	2,85	1,90	1,43					*			
	10,33	136	220	3,00	1,99	1,50								
	10,22	137	184	2,64	1,75	1,32								
	9,11	154	218	3,00	1,99	1,50								
	8,19	171	208	3,00	1,99	1,50								
	7,01	200	201	3,00	1,99	1,50								
	6,67	210	205	3,00	1,99	1,50								
	5,83	240	189	3,00	1,99	1,50								
	5,13	273	185	3,00	1,99	1,50								
	4,31	325	186	3,00	1,99	1,50								
	3,72	376	181	3,00	1,99	1,50								

* Achtung, überschreiten Sie nicht die maximale Antriebsleistung P1 max gemäß der Spalte Typ W

kg	W	IEC 63	IEC 71	IEC 80	IEC 90	IEC 100
SK 92372.1	11	10	10	10	10	11
SK 93372.1	11	10	10	10	10	11

SK 92672.1 SK 93672.1



	i_{Total}	n_2 $n_1 =$ 1400 r/min [r/min]	M_{2max} $f_B = 1$ [Nm]	W			IEC						
				P_{1max}			$f_B \Rightarrow$ E4-56						
				$n_1 =$ 1400 r/min [kW]	$n_1 =$ 930 r/min [kW]	$n_1 =$ 700 r/min [kW]	IEC 63	IEC 71	IEC 80	IEC 90	IEC 100	IEC 112	IEC 132
SK 92672.1	48,56	29	318	0,96	0,64	0,48				*			
SK 93672.1	43,28	32	306	1,04	0,69	0,52				*			
	37,82	37	318	1,23	0,82	0,62				*			
W	33,71	42	363	1,58	1,05	0,79							
30,67	30,67	46	318	1,52	1,01	0,76							
27,33	27,33	51	364	1,95	1,30	0,98							
24,88	24,88	56	363	2,14	1,42	1,07				*	*		
	20,00	70	311	2,28	1,51	1,14							
	18,21	77	349	2,81	1,87	1,40				*	*		
	17,46	80	317	2,66	1,77	1,33				*	*		
	15,56	90	363	3,42	2,27	1,71					*	*	
IEC	14,40	97	317	3,23	2,14	1,61					*	*	
12,84	12,84	109	363	4,14	2,75	2,07							
11,39	11,39	123	361	4,65	3,09	2,32							
10,16	10,16	138	363	5,24	3,48	2,62							
	9,39	149	355	5,54	3,68	2,77							
	8,33	168	350	6,16	4,09	3,08							
	7,44	188	349	6,88	4,57	3,44							
	6,68	210	317	6,96	4,62	3,48							*
	5,64	248	310	8,06	5,35	4,03							*
	4,36	321	315	9,20	6,11	4,60							

* Achtung, überschreiten Sie nicht die maximale Antriebsleistung P1max gemäß der Spalte Typ W

	W	IEC 63	IEC 71	IEC 80	IEC 90	IEC 100	IEC 112	IEC 132
SK 92672.1	24	23	23	23	23	24	24	26
SK 93672.1	24	23	23	23	23	24	24	26

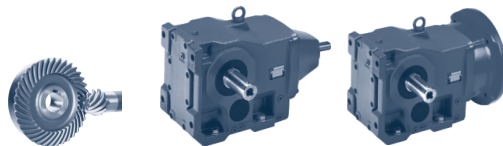


	i_{Total}	n_2 $n_1 =$ 1400 r/min [r/min]	M_{2max} $f_B = 1$ [Nm]	W			IEC						
				P_{1max}			$f_B \Rightarrow$ E4-56						
				$n_1 =$ 1400 r/min [kW]	$n_1 =$ 930 r/min [kW]	$n_1 =$ 700 r/min [kW]	IEC 63	IEC 71	IEC 80	IEC 90	IEC 100	IEC 112	IEC 132
SK 92772.1	66,96	21	489	1,07	0,71	0,54				*			
SK 93772.1	59,68	23	436	1,07	0,71	0,54				*			
W	52,64	27	578	1,61	1,07	0,80							
	46,92	30	515	1,61	1,07	0,80							
	43,44	32	630	2,13	1,41	1,06							
$\frac{h}{mm}$	39,32	36	630	2,35	1,56	1,17				*	*		
\Rightarrow E137, 139	35,04	40	660	2,76	1,83	1,38				*	*		
	31,85	44	630	2,90	1,93	1,45				*	*	*	*
	28,38	49	605	3,13	2,08	1,56					*	*	*
	27,65	51	630	3,34	2,22	1,67							
	25,34	55	630	3,64	2,42	1,82					*	*	
IEC	24,64	57	655	3,90	2,59	1,95							
	22,59	62	650	4,22	2,80	2,11							*
$\frac{h}{mm}$	21,14	66	630	4,37	2,90	2,18							*
\Rightarrow E145, 147	19,17	73	630	4,82	3,20	2,41							*
	18,84	74	640	4,98	3,31	2,49							*
	17,08	82	645	5,54	3,68	2,77							*
	15,42	91	631	6,00	3,99	3,00							*
	13,79	102	605	6,43	4,27	3,22							*
	12,50	112	596	6,99	4,64	3,50							*
	11,28	124	575	7,47	4,96	3,74							*
	9,81	143	579	8,65	5,75	4,33							*
	8,85	158	555	9,19	6,11	4,60							*
	7,18	195	546	9,20	6,11	4,60							
	6,39	219	493	9,20	6,11	4,60							
	5,12	273	505	9,20	6,11	4,60							
	4,17	336	496	9,20	6,11	4,60							

* Achtung, überschreiten Sie nicht die maximale Antriebsleistung P1 max gemäß der Spalte Typ W

$\frac{kg}{kg}$	W	IEC 63	IEC 71	IEC 80	IEC 90	IEC 100	IEC 112	IEC 132
SK 92772.1	42	40	40	44	44	48	48	57
SK 93772.1	42	40	40	44	44	48	48	57

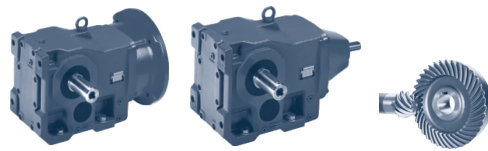
SK 9013.1 SK 9012.1



	i_{Total}	n_2 $n_1 =$ 1400 r/min [r/min]	M_{2max} $f_B = 1$ [Nm]	W			IEC							
				P_{1max}			$f_B \Rightarrow$ E4-56							
				$n_1 =$ 1400 r/min [kW]	$n_1 =$ 930 r/min [kW]	$n_1 =$ 700 r/min [kW]	IEC 63	IEC 71	IEC 80	IEC 90	IEC 100	IEC 112		
SK 9013.1	1690,10	0,83	400	0,03	0,02	0,02	*	*						
	1412,68	0,99	400	0,04	0,03	0,02	*	*						
W	1256,07	1,1	400	0,05	0,03	0,02	*	*						
\downarrow	847,07	1,7	400	0,07	0,05	0,04	*	*						
mm	667,89	2,1	400	0,09	0,06	0,04	*	*						
\Rightarrow E140	589,96	2,4	400	0,10	0,07	0,05	*	*						
	439,46	3,2	400	0,13	0,09	0,07	*	*						
IEC	320,60	4,4	400	0,18	0,12	0,09	*	*						
\downarrow	281,92	5,0	400	0,21	0,14	0,10	*	*						
mm	212,83	6,6	400	0,28	0,18	0,14	*	*						
\Rightarrow E151	177,88	7,9	400	0,33	0,22	0,17	*	*						
	141,29	9,9	400	0,37	0,24	0,19	*	*						
SK 9012.1	332,37	4,2	400	0,18	0,12	0,09		*						
	280,71	5,0	400	0,21	0,14	0,10		*						
W	246,37	5,7	400	0,24	0,16	0,12		*						
\downarrow	205,93	6,8	400	0,28	0,19	0,14		*						
mm	183,10	7,6	400	0,32	0,21	0,16		*	*					
\Rightarrow E140	166,59	8,4	400	0,35	0,23	0,18		*						
	140,70	10	400	0,42	0,28	0,21		*						
IEC	123,48	11	400	0,46	0,30	0,23		*						
\downarrow	109,79	13	400	0,54	0,36	0,27		*						
mm	97,36	14	400	0,59	0,39	0,29		*	*					
\Rightarrow E148	86,00	16	400	0,67	0,44	0,34		*	*					
	76,53	18	400	0,75	0,50	0,38		*	*	*	*	*	*	*
	62,74	22	400	0,92	0,61	0,46		*	*	*	*	*	*	*
	55,17	25	400	1,05	0,69	0,52		*	*	*	*	*	*	*
	48,95	29	400	1,21	0,80	0,61		*	*	*	*	*	*	*
	41,65	34	400	1,42	0,94	0,71		*	*	*	*	*	*	*
	34,81	40	400	1,68	1,11	0,84		*	*	*	*	*	*	*
	31,45	45	400	1,88	1,24	0,94		*	*	*	*	*	*	*
	27,65	51	400	2,14	1,41	1,07		*	*	*	*	*	*	*
	24,53	57	400	2,39	1,58	1,19		*	*	*	*	*	*	*
	20,87	67	400	2,81	1,85	1,40		*	*	*	*	*	*	*
	17,45	80	380	3,18	2,10	1,59		*	*	*	*	*	*	*
	15,30	92	380	3,66	2,42	1,83		*	*	*	*	*	*	*
	12,23	114	220	2,63	1,73	1,31		*	*	*	*	*	*	*
	10,85	129	200	2,70	1,78	1,35		*	*	*	*	*	*	*
	9,23	152	195	3,10	2,05	1,55		*	*	*	*	*	*	*
	8,09	173	180	3,26	2,15	1,63		*	*	*	*	*	*	*

* Achtung, überschreiten Sie nicht die maximale Antriebsleistung P1max gemäß der Spalte Typ W

kg	W	IEC 63	IEC 71	IEC 80	IEC 90	IEC 100	IEC 112
SK 9013.1	39	40	41	-	-	-	-
SK 9012.1	34	35	36	39	39	46	46



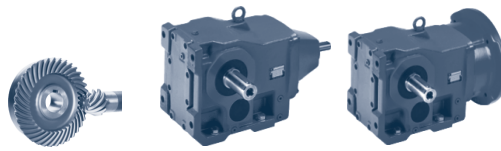
	i_{Total}	n_2 $n_1 =$ 1400 r/min [r/min]	M_{2max} $f_B = 1$ [Nm]	W			IEC								
				P_{1max}			$f_B \Rightarrow$ E4-56								
				$n_1 =$ 1400 r/min [kW]	$n_1 =$ 930 r/min [kW]	$n_1 =$ 700 r/min [kW]	IEC 63	IEC 71	IEC 80	IEC 90	IEC 100	IEC 112	IEC 132		
SK 9017.1	1412,69	0,99	610	0,06	0,04	0,03	*	*							
W	1256,07	1,1	610	0,07	0,05	0,04	*	*							
$\frac{H}{mm}$	629,56	2,2	610	0,14	0,09	0,07	*	*							
\Rightarrow E140	558,25	2,5	610	0,16	0,11	0,08	*	*							
	493,12	2,8	610	0,18	0,12	0,09		*							
	367,33	3,8	610	0,24	0,16	0,12		*							
IEC	267,99	5,2	610	0,33	0,22	0,17		*							
$\frac{H}{mm}$	235,64	5,9	610	0,37	0,24	0,19									
\Rightarrow E151	177,89	7,9	570	0,37	0,24	0,19									
	134,32	10	430	0,37	0,24	0,19									
							IEC 63	IEC 71	IEC 80	IEC 90	IEC 100	IEC 112	IEC 132		
SK 9016.1	277,84	5,0	590	0,31	0,20	0,15									
W	234,64	6,0	590	0,37	0,24	0,19									
$\frac{H}{mm}$	205,93	6,8	610	0,43	0,29	0,22									
\Rightarrow E140	183,10	7,6	610	0,49	0,32	0,24			*						
	149,81	9,3	610	0,59	0,39	0,30			*						
	142,41	9,8	610	0,63	0,41	0,31			*						
IEC	116,52	12	610	0,77	0,51	0,38									
$\frac{H}{mm}$	91,77	15	500	0,79	0,52	0,39				*					
\Rightarrow E148	81,38	17	600	1,07	0,70	0,53				*					
	71,88	19	600	1,19	0,79	0,60				*					
	63,97	22	610	1,41	0,93	0,70					*	*			
	52,44	27	610	1,72	1,14	0,86					*	*			
	46,11	30	610	1,92	1,26	0,96					*	*			
	40,92	34	600	2,14	1,41	1,07					*	*			
	34,81	40	600	2,51	1,66	1,26					*	*			
	30,52	46	600	2,89	1,91	1,45					*	*			
	26,29	53	600	3,33	2,20	1,66						*	*		
	23,11	61	520	3,32	2,19	1,66						*	*		
	20,51	68	580	4,00	2,64	2,00									
	17,45	80	540	4,00	2,64	2,00									
	15,10	93	520	4,00	2,64	2,00									
	12,51	112	520	4,00	2,64	2,00									

UNICASE™
Helical bevel gear units

* Achtung, überschreiten Sie nicht die maximale Antriebsleistung P1max gemäß der Spalte Typ W

kg	W	IEC 63	IEC 71	IEC 80	IEC 90	IEC 100	IEC 112
SK 9017.1	40	41	42	-	-	-	-
SK 9016.1	35	36	37	40	40	47	47

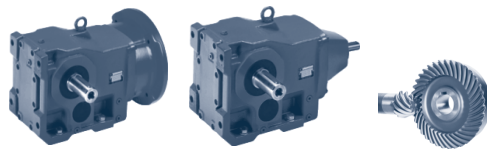
SK 9023.1 SK 9022.1



	i_{Total}	n_2 $n_1 =$ 1400 r/min [r/min]	M_{2max} $f_B = 1$ [Nm]	W			IEC							
				P_{1max}			$f_B \Rightarrow$ E4-56							
				$n_1 =$ 1400 r/min [kW]	$n_1 =$ 930 r/min [kW]	$n_1 =$ 700 r/min [kW]	IEC 63	IEC 71	IEC 80	IEC 90	IEC 100	IEC 112		
SK 9023.1	1899,26	0,74	860	0,07	0,04	0,03	*	*						
	1504,07	0,93	860	0,08	0,06	0,04	*	*						
W	1120,38	1,2	860	0,11	0,07	0,05	*	*						
$\frac{H}{mm}$	951,94	1,5	860	0,14	0,09	0,07	*	*						
\Rightarrow E140	753,86	1,9	860	0,17	0,11	0,09	*	*						
	678,31	2,1	860	0,19	0,12	0,09		*						
	561,55	2,5	860	0,23	0,15	0,11		*						
IEC	472,43	3,0	860	0,27	0,18	0,14		*						
$\frac{H}{mm}$	339,41	4,1	860	0,37	0,24	0,18								
\Rightarrow E151	297,67	4,7	860	0,37	0,24	0,19								
	228,47	6,1	650	0,37	0,24	0,19								
SK 9022.1	276,86	5,1	800	0,43	0,28	0,21								
	232,92	6,0	700	0,44	0,29	0,22								
W	219,25	6,4	860	0,58	0,38	0,29								
$\frac{H}{mm}$	184,46	7,6	860	0,68	0,45	0,34			*					
\Rightarrow E140	169,81	8,2	860	0,74	0,49	0,37			*					
	137,57	10	860	0,90	0,59	0,45								
	115,74	12	860	1,08	0,71	0,54								
IEC	98,88	14	860	1,26	0,83	0,63			*					
$\frac{H}{mm}$	85,11	16	860	1,44	0,95	0,72			*					
\Rightarrow E148	78,89	18	860	1,62	1,07	0,81				*	*	*	*	*
	66,42	21	860	1,89	1,25	0,95				*	*	*	*	*
	58,25	24	860	2,16	1,43	1,08				*	*	*	*	*
	52,02	27	860	2,43	1,60	1,22				*	*	*	*	*
	49,01	29	860	2,61	1,72	1,31				*	*	*	*	*
	44,71	31	860	2,79	1,84	1,40				*	*	*	*	*
	39,77	35	860	3,15	2,08	1,58				*	*	*	*	*
	33,26	42	860	3,78	2,50	1,89				*	*	*	*	*
	31,38	45	820	3,86	2,55	1,93				*	*	*	*	*
	29,20	48	860	4,00	2,64	2,00				*	*	*	*	*
	26,07	54	860	4,00	2,64	2,00				*	*	*	*	*
	24,56	57	860	4,00	2,64	2,00				*	*	*	*	*
	22,41	62	780	4,00	2,64	2,00				*	*	*	*	*
	19,93	70	760	4,00	2,64	2,00				*	*	*	*	*
	17,52	80	720	4,00	2,64	2,00				*	*	*	*	*
	16,30	86	620	4,00	2,64	2,00				*	*	*	*	*
	14,56	96	580	4,00	2,64	2,00				*	*	*	*	*
	12,51	112	540	4,00	2,64	2,00				*	*	*	*	*
	11,13	126	520	4,00	2,64	2,00				*	*	*	*	*
	8,78	159	480	4,00	2,64	2,00				*	*	*	*	*

* Achtung, überschreiten Sie nicht die maximale Antriebsleistung P1max gemäß der Spalte Typ W

$\frac{kg}{kg}$	W	IEC 63	IEC 71	IEC 80	IEC 90	IEC 100	IEC 112
SK 9023.1	47	48	49	-	-	-	-
SK 9022.1	42	43	44	47	47	54	54



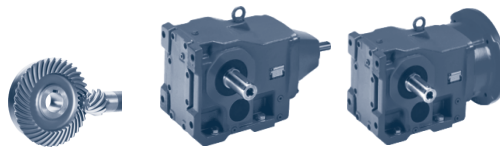
	i_{Total}	n_2 $n_1 =$ 1400 r/min [r/min]	M_{2max} $f_B = 1$ [Nm]	W			IEC										
				P_{1max}			$f_B \Rightarrow$ E4-56										
				$n_1 =$ 1400 r/min [kW]	$n_1 =$ 930 r/min [kW]	$n_1 =$ 700 r/min [kW]	IEC 63	IEC 71	IEC 80	IEC 90	IEC 100	IEC 112	IEC 132				
SK 9033.1	3635,95	0,39	1550	0,06	0,04	0,03	*	*									
	2428,14	0,58	1550	0,09	0,06	0,05	*	*									
W	1822,00	0,77	1550	0,12	0,08	0,06	*	*									
$\overline{\text{mm}}$	1361,37	1,0	1550	0,16	0,11	0,08	*	*									
\Rightarrow E140	1149,80	1,2	1550	0,19	0,13	0,10		*									
	873,65	1,6	1550	0,26	0,17	0,13		*									
	691,55	2,0	1550	0,32	0,21	0,16		*									
IEC	539,10	2,6	1550	0,42	0,28	0,21											
$\overline{\text{mm}}$	398,77	3,5	1550	0,57	0,37	0,28			*	*							
$\overline{\text{mm}}$	352,25	4,0	1550	0,65	0,43	0,32			*	*							
\Rightarrow E152	267,65	5,2	1550	0,84	0,56	0,42			*	*							
	214,83	6,5	1550	1,05	0,70	0,53			*	*							
	167,45	8,4	1550	1,10	0,73	0,55			*	*							
SK 9032.1	295,85	4,7	1550	0,76	0,50	0,38					*						
	249,72	5,6	1550	0,91	0,60	0,45					*						
W	233,92	6,0	1550	0,97	0,64	0,49					*						
$\overline{\text{mm}}$	197,45	7,1	1550	1,15	0,76	0,58					*						
\Rightarrow E140	188,06	7,4	1550	1,20	0,79	0,60					*	*	*				
	158,74	8,8	1550	1,43	0,94	0,71					*	*	*				
	139,44	10	1550	1,62	1,07	0,81					*	*	*				
IEC	117,70	12	1550	1,95	1,29	0,97					*	*	*				
$\overline{\text{mm}}$	110,77	13	1550	2,11	1,39	1,05					*	*	*				
$\overline{\text{mm}}$	93,50	15	1550	2,43	1,61	1,22					*	*	*				
\Rightarrow E148	84,17	17	1550	2,76	1,82	1,38					*	*	*				
	75,91	18	1550	2,92	1,93	1,46					*	*	*				
	64,08	22	1550	3,57	2,36	1,79					*	*	*				
	59,17	24	1550	3,90	2,57	1,95					*	*	*				
	49,94	28	1550	4,54	3,00	2,27					*	*	*				
	47,70	29	1550	4,71	3,11	2,35					*	*	*				
	40,36	35	1550	5,68	3,75	2,84					*	*	*				
	38,05	37	1550	6,01	3,96	3,00					*	*	*				
	35,61	39	1550	6,33	4,18	3,16					*	*	*				
	29,66	47	1500	7,38	4,87	3,69					*	*	*				
	25,03	56	1500	8,80	5,81	4,40					*	*	*				
	23,91	59	1550	<i>9,20</i>	<i>6,07</i>	<i>4,60</i>					*	*	*				
	20,23	69	1500	<i>9,20</i>	<i>6,07</i>	<i>4,60</i>					*	*	*				
	17,08	82	1450	<i>9,20</i>	<i>6,07</i>	<i>4,60</i>					*	*	*				
	16,04	87	1400	<i>9,20</i>	<i>6,07</i>	<i>4,60</i>					*	*	*				
	13,49	104	1350	<i>9,20</i>	<i>6,07</i>	<i>4,60</i>					*	*	*				
	12,68	110	1000	<i>9,20</i>	<i>6,07</i>	<i>4,60</i>					*	*	*				
	10,73	130	900	<i>9,20</i>	<i>6,07</i>	<i>4,60</i>					*	*	*				
	8,48	165	880	<i>9,20</i>	<i>6,07</i>	<i>4,60</i>					*	*	*				

* Achtung, überschreiten Sie nicht die maximale Antriebsleistung P1 max gemäß der Spalte Typ W

kg	W	IEC 63	IEC 71	IEC 80	IEC 90	IEC 100	IEC 112	IEC 132
SK 9033.1	70	71	72	75	75	-	-	-
SK 9032.1	68	-	66	70	70	74	74	83

UNICASE™
Helical bevel gear units

SK 9043.1 SK 9042.1

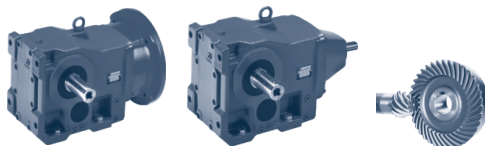


	i_{Total}	n_2 $n_1 =$ 1400 r/min [r/min]	M_{2max} $f_B = 1$ [Nm]	W			IEC								
				P_{1max}			$f_B \Rightarrow$ E4-56								
				$n_1 =$ 1400 r/min [kW]	$n_1 =$ 930 r/min [kW]	$n_1 =$ 700 r/min [kW]	IEC 71	IEC 80	IEC 90	IEC 100	IEC 112	IEC 132	AI 160		
SK 9043.1	4246,38	0,33	2800	0,10	0,06	0,05	*	*							
	3362,82	0,42	2800	0,12	0,08	0,06	*	*	*						
W	3026,98	0,46	2800	0,13	0,09	0,07	*	*							
$\frac{H}{mm}$	2397,14	0,58	2800	0,17	0,11	0,09	*	*	*						
\Rightarrow E141	2128,35	0,66	2800	0,19	0,13	0,10	*	*							
	1517,17	0,92	2800	0,27	0,18	0,13	*	*							
	1113,24	1,3	2800	0,38	0,25	0,19		*							
IEC, AI	881,60	1,6	2800	0,47	0,31	0,23		*	*	*					
$\frac{H}{mm}$	645,18	2,2	2800	0,65	0,43	0,32		*	*	*					
\Rightarrow E152	568,04	2,5	2800	0,73	0,48	0,37		*	*	*					
	404,82	3,5	2800	1,03	0,68	0,51			*	*	*				
	350,72	4,0	2800	1,17	0,77	0,59			*	*	*				
	279,60	5,0	2800	1,47	0,97	0,73			*	*	*				
	204,38	6,8	2800	1,99	1,32	1,00				*	*				
	172,08	8,1	2800	2,20	1,45	1,10				*	*				
SK 9042.1	329,69	4,2	2800	1,23	0,81	0,62				*					
	273,73	5,1	2800	1,50	0,99	0,75				*					
W	235,01	6,0	2800	1,76	1,16	0,88				*	*				
$\frac{H}{mm}$	195,12	7,2	2800	2,11	1,39	1,06				*	*				
\Rightarrow E141	165,24	8,5	1500	1,34	0,88	0,67				*					
	159,94	8,8	2800	2,58	1,70	1,29				*	*	*			
	132,79	11	2800	3,23	2,13	1,61				*	*	*			
IEC, AI	117,79	12	2400	3,02	1,99	1,51				*					
$\frac{H}{mm}$	95,56	15	2800	4,40	2,90	2,20					*				
\Rightarrow E149	86,43	16	2800	4,69	3,10	2,35					*				
	76,18	18	2800	5,28	3,48	2,64					*				
	68,61	20	2800	5,86	3,87	2,93					*			*	
	63,25	22	2800	6,45	4,26	3,23					*			*	
	55,69	25	2800	7,33	4,84	3,66					*			*	
	47,67	29	2800	8,50	5,61	4,25					*			*	
	40,54	35	2800	10,26	6,77	5,13					*			*	
	34,39	41	2800	12,02	7,93	6,01					*			*	
	31,70	44	2800	12,90	8,51	6,45					*			*	
	31,48	44	2200	10,14	6,69	5,07					*			*	
	27,91	50	2800	14,66	9,68	7,33					*			*	
	23,89	59	2700	15,00	9,90	7,50					*			*	
	20,32	69	2600	15,00	9,90	7,50					*			*	
	18,20	77	2450	15,00	9,90	7,50					*			*	
	15,66	89	2000	15,00	9,90	7,50					*			*	
	13,40	104	2000	15,00	9,90	7,50					*			*	
	11,40	123	1500	15,00	9,90	7,50					*			*	
	10,21	137	1500	15,00	9,90	7,50					*			*	
	9,39	149	1500	15,00	9,90	7,50					*			*	
	8,83	159	1400	15,00	9,90	7,50					*			*	

* Achtung, überschreiten Sie nicht die maximale Antriebsleistung P1max gemäß der Spalte Typ W

kg	W	IEC 71	IEC 80	IEC 90	IEC 100	IEC 112	IEC 132	AI 160
SK 9043.1	130	128	132	132	136	136	-	-
SK 9042.1	125	-	-	120	127	127	141	140

UNICASE™
Helical bevel gear units



	i_{Total}	n_2 $n_1 =$ 1400 r/min [r/min]	M_{2max} $f_B = 1$ [Nm]	W			IEC										
				P_{1max}			$f_B \Rightarrow E4-56$										
				$n_1 =$ 1400 r/min [kW]	$n_1 =$ 930 r/min [kW]	$n_1 =$ 700 r/min [kW]	IEC 71	IEC 80	IEC 90	IEC 100	IEC 112	IEC 132	AI 160	AI 180			
SK 9053.1	3735,92	0,37	4800	0,19	0,12	0,09	*	*	*								
	2953,98	0,47	4800	0,24	0,16	0,12		*	*								
W	2023,49	0,69	4800	0,35	0,23	0,17		*	*								
$\frac{H}{mm}$	1872,50	0,75	4800	0,38	0,25	0,19		*	*								
$\Rightarrow E140$	1398,80	1,00	4800	0,50	0,33	0,25		*	*	*	*						
	1062,85	1,3	4800	0,65	0,43	0,33		*	*	*	*						
	931,87	1,5	4800	0,75	0,50	0,38			*								
IEC, AI	703,83	2,0	4000	0,84	0,55	0,42			*								
$\frac{H}{mm}$	579,95	2,4	4800	1,21	0,80	0,60			*								
$\Rightarrow E152$	458,57	3,1	4800	1,56	1,03	0,78											
	348,91	4,0	4800	2,01	1,33	1,01				*	*						
	265,11	5,3	4800	2,66	1,76	1,33				*	*						
	229,07	6,1	4800	3,07	2,02	1,53				*	*						
	164,99	8,5	4800	4,00	2,64	2,00											

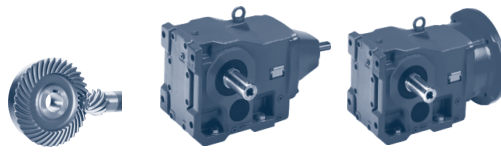
	i_{Total}	n_2 $n_1 =$ 1400 r/min [r/min]	M_{2max} $f_B = 1$ [Nm]	P_{1max} $n_1 =$ 1400 r/min [kW]	P_{1max} $n_1 =$ 930 r/min [kW]	P_{1max} $n_1 =$ 700 r/min [kW]	IEC 71	IEC 80	IEC 90	IEC 100	IEC 112	IEC 132	AI 160	AI 180
SK 9052.1	289,61	4,8	4800	2,41	1,59	1,21				*	*			
W	247,06	5,7	4800	2,86	1,89	1,43				*	*			
$\frac{H}{mm}$	198,38	7,1	4800	3,57	2,36	1,78				*	*	*		
$\Rightarrow E140$	169,24	8,3	4800	4,17	2,75	2,09				*	*	*		
	145,16	9,6	3600	3,62	2,39	1,81				*	*	*		
	120,03	12	4800	6,03	3,98	3,02				*	*	*		
	102,40	14	4800	7,04	4,64	3,52				*	*	*		
IEC, AI	88,17	16	4800	8,04	5,31	4,02				*	*	*	*	
$\frac{H}{mm}$	72,24	19	4800	9,55	6,30	4,77				*	*	*	*	
$\Rightarrow E149$	62,42	22	4800	11,06	7,30	5,53				*	*	*	*	
	54,56	26	4800	13,07	8,62	6,53				*	*	*	*	*
	44,96	31	4800	15,58	10,28	7,79				*	*	*	*	*
	39,72	35	4800	17,59	11,61	8,80				*	*	*	*	*
	36,21	39	4800	19,60	12,94	9,80				*	*	*	*	*
	31,28	45	4800	22,00	14,52	11,00				*	*	*	*	*
	27,35	51	4600	22,00	14,52	11,00				*	*	*	*	*
	23,33	60	4300	22,00	14,52	11,00				*	*	*	*	*
	22,53	62	4300	22,00	14,52	11,00				*	*	*	*	*
	19,91	70	4300	22,00	14,52	11,00				*	*	*	*	*
	17,94	78	4300	22,00	14,52	11,00				*	*	*	*	*
	16,33	86	4300	22,00	14,52	11,00				*	*	*	*	*
	13,45	104	4300	22,00	14,52	11,00				*	*	*	*	*
	11,88	118	3900	22,00	14,52	11,00				*	*	*	*	*
	10,71	131	2900	22,00	14,52	11,00				*	*	*	*	*
	9,93	141	2800	22,00	14,52	11,00				*	*	*	*	*
	9,40	149	2600	22,00	14,52	11,00				*	*	*	*	*
	8,10	173	2600	22,00	14,52	11,00				*	*	*	*	*

* Achtung, überschreiten Sie nicht die maximale Antriebsleistung P1max gemäß der Spalte Typ W

UNICASE™
Helical bevel gear units

kg	W	IEC 71	IEC 80	IEC 90	IEC 100	IEC 112	IEC 132	AI 160	AI 180
SK 9053.1	208	206	210	210	214	214	-		
SK 9052.1	200	-	-	195	202	202	216	215	215

SK 9072.1/32
SK 9072.1/42
SK 9072.1

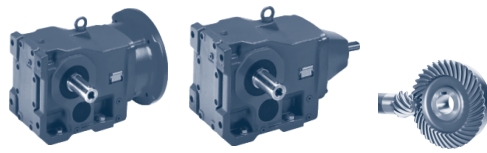


	W						IEC									
	i_{Total}	n_2	M_{2max}	P_{1max}		$f_B \geq 1$	$f_B \Rightarrow \text{E4-56}$									
	$n_1 = 1400 \text{ r/min}$ [r/min]	$f_B = 1$ [Nm]	$n_1 = 1400 \text{ r/min}$ [kW]	$n_1 = 930 \text{ r/min}$ [kW]	$n_1 = 700 \text{ r/min}$ [kW]	IEC 71	IEC 80	IEC 90	IEC 100	IEC 112	IEC 132	AI 160	AI 180	AI 200	AI 225	
SK 9072.1/32	4512,24	0,31	8500	0,32	0,21	0,16		*	*							
	4039,53	0,35	8500	0,35	0,23	0,18		*	*							
W	3251,68	0,43	8500	0,42	0,28	0,21		*	*							
$\frac{W}{mm}$	2320,58	0,60	8500	0,57	0,38	0,29		*	*							
\Rightarrow E140	1912,84	0,73	8500	0,69	0,46	0,34		*	*	*	*					
	1453,44	0,96	8500	0,85	0,56	0,43			*	*	*	*				
	1169,97	1,2	8500	1,07	0,70	0,53			*	*	*	*				
IEC, AI	973,69	1,4	8500	1,25	0,82	0,62			*	*	*	*				
$\frac{IEC, AI}{mm}$	767,55	1,8	8500	1,60	1,06	0,80			*	*	*	*				
\Rightarrow E149	598,27	2,3	8500	2,05	1,35	1,02			*	*	*	*				
	473,22	3,0	8500	2,67	1,76	1,34			*	*	*	*				
	385,88	3,6	8500	3,20	2,11	1,60			*	*	*	*				
	311,10	4,5	8500	4,00	2,64	2,00			*	*	*	*				
SK 9072.1/42	269,39	5,2	8500	4,63	3,05	2,31					*	*				
	196,12	7,1	7400	5,50	3,63	2,75					*	*				
W	156,70	8,9	6400	5,96	3,94	2,98					*	*				
$\frac{W}{mm}$	134,14	10	6200	6,49	4,28	3,25					*	*				
\Rightarrow E141 \Rightarrow E149											*	*				
SK 9072.1	245,76	5,7	8500	5,07	3,35	2,54					*					
	206,84	6,8	8500	6,05	3,99	3,03					*					
W	186,86	7,5	8500	6,68	4,41	3,34					*	*	*			
$\frac{W}{mm}$	157,27	8,9	8500	7,92	5,23	3,96					*	*	*			
\Rightarrow E141	136,88	10	6700	7,02	4,63	3,51					*					
	110,18	13	8500	11,57	7,64	5,79					*					
	91,47	15	8500	13,35	8,81	6,68					*	*				
	79,69	18	8500	16,02	10,57	8,01					*	*				
IEC, AI	70,22	20	8500	17,80	11,75	8,90					*	*	*	*	*	*
$\frac{IEC, AI}{mm}$	58,44	24	8500	21,36	14,10	10,68					*	*	*	*	*	*
\Rightarrow E149	50,35	28	8200	24,04	15,87	12,02					*	*	*	*	*	*
	44,81	31	7700	24,99	16,50	12,50					*	*	*	*	*	*
	41,11	34	7700	27,41	18,09	13,71					*	*	*	*	*	*
	35,19	40	8500	35,60	23,50	17,80					*	*	*	*	*	*
	29,29	48	8500	42,72	28,20	21,36					*	*	*	*	*	*
	25,24	55	8500	45,00	29,70	22,50					*	*	*	*	*	*
	22,46	62	8500	45,00	29,70	22,50					*	*	*	*	*	*
	20,61	68	8500	45,00	29,70	22,50					*	*	*	*	*	*
	18,29	77	7800	45,00	29,70	22,50					*	*	*	*	*	*
	16,44	85	7500	45,00	29,70	22,50					*	*	*	*	*	*
	15,40	91	7500	45,00	29,70	22,50					*	*	*	*	*	*
	14,06	100	5200	45,00	29,70	22,50					*	*	*	*	*	*
	12,51	112	5000	45,00	29,70	22,50					*	*	*	*	*	*
	12,06	116	5000	45,00	29,70	22,50					*	*	*	*	*	*
	11,48	122	5000	45,00	29,70	22,50					*	*	*	*	*	*
	10,19	137	4700	45,00	29,70	22,50					*	*	*	*	*	*
	9,16	153	4700	45,00	29,70	22,50					*	*	*	*	*	*

* Achtung, überschreiten Sie nicht die maximale Antriebsleistung P1max gemäß der Spalte Typ W

kg	W	IEC 71	IEC 80	IEC 90	IEC 100	IEC 112	IEC 132	AI 160	AI 180	AI 200	AI 225
SK 9072.1/32	364	362	366	366	370	370	379	-	-	-	-
SK 9072.1/42	391	-	-	386	407	407	417	416	-	-	-
SK 9072.1	360	-	-	-	348	348	361	375	375	386	403

UNICASE™
Helical bevel gear units

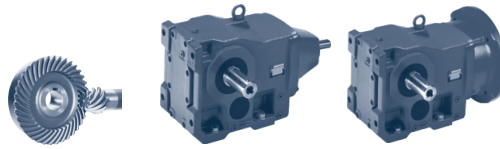


	i_{Total}	n_2 $n_1 =$ 1400 r/min [r/min]	M_{2max} $f_B = 1$ [Nm]	W			IEC $f_B \Rightarrow$ E4-56																
				P_{1max}		$f_B \geq 1$	IEC		AI		AI		AI		AI								
				1400 r/min	930 r/min	700 r/min	90	100	112	132	160	180	200	225	250	280	315						
SK 9082.1/42	4671,14	0,30	13000	0,45	0,30	0,22	*	*	*														
	3341,45	0,42	13000	0,61	0,40	0,31	*	*	*														
W	2682,59	0,52	13000	0,75	0,49	0,37	*	*	*														
$\frac{mm}{mm}$	2044,65	0,68	13000	0,93	0,61	0,46	*	*	*	*													
\Rightarrow E141	1812,59	0,77	13000	1,05	0,69	0,52	*	*	*	*	*												
	1467,80	0,95	13000	1,29	0,85	0,65	*	*	*	*	*												
	1017,77	1,4	13000	1,91	1,26	0,95		*	*	*	*												
IEC, AI	845,38	1,7	13000	2,31	1,53	1,16		*	*	*	*												
$\frac{mm}{mm}$	704,48	2,0	13000	2,72	1,80	1,36		*	*	*	*												
\Rightarrow E149	603,37	2,3	13000	3,13	2,07	1,57			*	*	*												
	443,41	3,2	13000	4,36	2,87	2,18				*	*												
	379,59	3,7	13000	5,04	3,32	2,52				*	*												
	285,05	4,9	13000	6,67	4,40	3,34				*	*												
SK 9082.1/52	245,62	5,7	13000	7,76	5,12	3,88				*	*	*											
W	182,09	7,7	13000	10,48	6,92	5,24				*	*	*											
$\frac{mm}{mm}$	146,19	9,6	13000	13,07	8,62	6,53				*	*	*											
\Rightarrow E141	123,13	11	12000	13,82	9,12	6,91				*	*	*											
\Rightarrow E149										*	*	*											
SK 9082.1	296,80	4,7	12600	6,20	4,09	3,10				*	*	*											
	244,32	5,7	13000	7,76	5,12	3,88				*	*	*											
W	148,76	9,4	13000	12,80	8,45	6,40				*	*	*											
$\frac{mm}{mm}$	122,46	11	13000	14,97	9,88	7,49				*	*	*											
\Rightarrow E142	116,45	12	13000	16,34	10,78	8,17				*	*	*											
	95,86	15	13000	20,42	13,48	10,21				*	*	*											
	82,88	17	13000	23,14	15,27	11,57				*	*	*											
IEC, AI	71,50	20	13000	27,23	17,97	13,61				*	*	*	*								*	*	*
$\frac{mm}{mm}$	62,39	22	13000	29,95	19,77	14,97				*	*	*	*								*	*	*
\Rightarrow E149	53,28	26	13000	35,39	23,36	17,70				*	*	*	*								*	*	*
	44,63	31	13000	42,20	27,85	21,10				*	*	*	*								*	*	*
	41,54	34	13000	46,28	30,55	23,14				*	*	*	*								*	*	*
	35,83	39	13000	53,09	35,04	26,54				*	*	*	*								*	*	*
	31,27	45	13000	61,26	40,43	30,63				*	*	*	*								*	*	*
	26,71	52	13000	70,79	46,72	35,39				*	*	*	*								*	*	*
	22,37	63	13000	85,76	56,60	42,88				*	*	*	*								*	*	*
	20,16	69	13000	90,00	59,40	45,00				*	*	*	*								*	*	*
	17,35	81	13000	90,00	59,40	45,00				*	*	*	*								*	*	*
	14,61	96	13000	90,00	59,40	45,00				*	*	*	*								*	*	*
	12,31	114	8400	90,00	59,40	45,00				*	*	*	*								*	*	*
	8,04	174	7200	90,00	59,40	45,00				*	*	*	*								*	*	*

* Achtung, überschreiten Sie nicht die maximale Antriebsleistung P1 max gemäß der Spalte Typ W

kg	W	IEC 90	IEC 100	IEC 112	IEC 132	AI 160	AI 180	AI 200	AI 225	AI 250	AI 280	AI 315
SK 9082.1/42	651	646	653	653	667	666	-	-	-	-	-	-
SK 9082.1/52	676	-	678	678	692	691	691	-	-	-	-	-
SK 9082.1	695	-	-	-	621	635	635	646	663	725	725	779

SK 9086.1/52 SK 9086.1

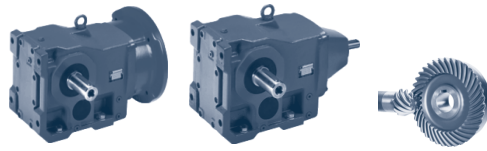


	i_{Total}	n_2	M_{2max}	W			IEC																
				$n_1 = 1400$ [r/min]	$f_B = 1$	P_{1max}	$f_B \geq 1$		$f_B \Rightarrow E4-56$														
							$n_1 = 1400$ [r/min]	$n_1 = 930$ [r/min]	$n_1 = 700$ [r/min]	IEC 90	IEC 100	IEC 112	IEC 132	AI 160	AI 180	AI 200	AI 225	AI 250	AI 280	AI 315			
SK 9086.1/52	4818,83	0,29	20000	0,65	0,43	0,32	*	*	*														
	3590,92	0,39	20000	0,82	0,54	0,41	*	*	*														
W	3007,66	0,47	20000	0,98	0,65	0,49		*	*														
$\frac{H}{mm}$	2107,43	0,66	20000	1,38	0,91	0,69		*	*														
\Rightarrow E141	1786,05	0,78	20000	1,63	1,08	0,82		*	*	*	*												
	1463,40	0,96	20000	2,01	1,33	1,01		*	*	*	*	*											
	1202,18	1,2	20000	2,51	1,66	1,26		*	*	*	*	*	*										
IEC, AI	907,88	1,5	20000	3,14	2,07	1,57			*	*	*	*	*										
$\frac{H}{mm}$	714,15	2,0	20000	4,19	2,76	2,09				*	*	*	*										
\Rightarrow E150	623,16	2,2	20000	4,61	3,04	2,30				*	*	*	*										
	433,35	3,2	20000	6,70	4,42	3,35				*	*	*	*										
	378,14	3,7	20000	7,75	5,11	3,87				*	*	*	*										
	270,47	5,2	20000	10,89	7,19	5,45				*	*	*	*										
	235,93	5,9	20000	12,36	8,15	6,18				*	*	*	*										
	171,89	8,1	20000	16,96	11,20	8,48				*	*	*	*										
	144,60	9,7	18000	18,28	12,07	9,14				*	*	*	*										

	i_{Total}	n_2	M_{2max}	P_{1max}	$f_B \geq 1$	IEC																	
						$n_1 = 1400$ [r/min]	$f_B = 1$	P_{1max}	$f_B \geq 1$		$f_B \Rightarrow E4-56$												
									$n_1 = 1400$ [r/min]	$n_1 = 930$ [r/min]	$n_1 = 700$ [r/min]	IEC 90	IEC 100	IEC 112	IEC 132	AI 160	AI 180	AI 200	AI 225	AI 250	AI 280	AI 315	
SK 9086.1	230,64	6,1	20000	12,77	8,43	6,39					*	*											
	194,04	7,2	20000	15,08	9,95	7,54					*	*											
W	151,76	9,2	20000	19,27	12,72	9,63					*	*											
$\frac{H}{mm}$	127,67	11	20000	23,04	15,20	11,52					*	*											
\Rightarrow E142	116,50	12	20000	25,13	16,59	12,57					*	*											
	90,50	15	20000	31,41	20,73	15,71					*	*											
	78,24	18	20000	37,70	24,88	18,85					*	*											
IEC, AI	67,50	21	20000	43,98	29,03	21,99					*	*									*	*	*
$\frac{H}{mm}$	58,90	24	20000	50,26	33,17	25,13					*	*									*	*	*
\Rightarrow E150	50,30	28	20000	58,64	38,70	29,32					*	*									*	*	*
	42,13	33	20000	69,11	45,61	34,55					*	*									*	*	*
	35,44	40	18000	75,39	49,76	37,70					*	*									*	*	*
	29,52	47	20000	98,43	64,96	49,21					*	*									*	*	*
	25,21	56	20000	117,28	77,40	58,64					*	*									*	*	*
	21,12	66	20000	138,22	91,23	69,11					*	*									*	*	*
	17,77	79	19000	157,17	103,73	78,59					*	*									*	*	*
	16,38	85	19000	160,00	105,60	80,00					*	*									*	*	*
	14,70	95	15000	149,21	98,48	74,61					*	*									*	*	*
	12,31	114	14000	160,00	105,60	80,00					*	*									*	*	*
	11,60	121	17000	160,00	105,60	80,00					*	*									*	*	*
	9,55	147	13000	160,00	105,60	80,00					*	*									*	*	*
	8,04	174	13000	160,00	105,60	80,00					*	*									*	*	*

* Achtung, überschreiten Sie nicht die maximale Antriebsleistung P1max gemäß der Spalte Typ W

kg	W	IEC 90	IEC 100	IEC 112	IEC 132	AI 160	AI 180	AI 200	AI 225	AI 250	AI 280	AI 315
SK 9086.1/52	926	921	928	928	942	941	941	-	-	-	-	-
SK 9086.1	945	-	-	-	871	885	885	896	913	975	975	1029



	i_{Total}	n_2 $n_1 =$ 1400 r/min	M_{2max} $f_B = 1$ [Nm]	W			IEC																	
				P_{1max}			$f_B \Rightarrow$ E4-56																	
				$n_1 =$ 1400 r/min	$n_1 =$ 930 r/min	$n_1 =$ 700 r/min	IEC 90	IEC 100	IEC 112	IEC 132	AI 160	AI 180	AI 200	AI 225	AI 250	AI 280	AI 315							
SK 9092.1/52	4916,63	0,28	32000	0,94	0,62	0,47	*	*	*															
	3551,65	0,39	26000	1,06	0,70	0,53	*	*	*															
W	2902,00	0,48	26000	1,31	0,86	0,65		*	*															
$\frac{H}{mm}$	2116,80	0,66	32000	2,21	1,46	1,11		*	*	*	*													
\Rightarrow E141	1795,36	0,78	32000	2,61	1,72	1,31		*	*	*	*													
	1424,80	0,98	32000	3,28	2,17	1,64			*	*	*													
	1120,00	1,2	32000	4,02	2,65	2,01				*	*													
IEC, AI	846,40	1,7	32000	5,70	3,76	2,85				*	*	*	*											
$\frac{H}{mm}$	706,40	2,0	32000	6,70	4,42	3,35				*	*	*	*											
\Rightarrow E150	608,12	2,3	32000	7,71	5,09	3,85				*	*	*	*											
	441,46	3,2	32000	10,72	7,08	5,36				*														
	385,67	3,6	32000	12,06	7,96	6,03				*	*													
	280,76	5,0	32000	16,75	11,06	8,38				*	*													
	222,14	6,3	32000	21,11	13,93	10,55				*	*													
	191,28	7,3	32000	22,00	14,52	11,00				*	*													

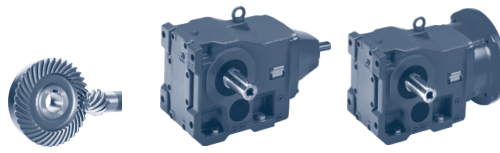
	i_{Total}	n_2 $n_1 =$ 1400 r/min	M_{2max} $f_B = 1$ [Nm]	W			IEC																	
				P_{1max}			$f_B \Rightarrow$ E4-56																	
				$n_1 =$ 1400 r/min	$n_1 =$ 930 r/min	$n_1 =$ 700 r/min	IEC 90	IEC 100	IEC 112	IEC 132	AI 160	AI 180	AI 200	AI 225	AI 250	AI 280	AI 315							
SK 9092.1	297,51	4,7	32000	15,75	10,39	7,87								*										
	253,40	5,5	32000	18,43	12,16	9,21								*										
W	197,51	7,1	32000	23,79	15,70	11,90							*											
$\frac{H}{mm}$	152,96	9,2	32000	30,83	20,35	15,41									*									
\Rightarrow E142	120,23	12	32000	40,21	26,54	20,10									*									
	102,28	14	32000	46,91	30,96	23,46									*									
	91,60	15	32000	50,26	33,17	25,13									*				*	*				
IEC, AI	80,00	18	32000	60,31	39,81	30,16									*				*	*				
$\frac{H}{mm}$	68,87	20	32000	67,02	44,23	33,51									*				*	*				
\Rightarrow E150	58,66	24	32000	80,42	53,08	40,21									*				*	*				
	49,75	28	32000	93,82	61,92	46,91									*				*	*				
	47,93	29	32000	97,17	64,13	48,59									*				*	*				
	46,02	30	32000	100,52	66,35	50,26									*				*	*				
	43,68	32	27800	93,15	61,48	46,58									*				*	*				
	40,65	34	32000	113,93	75,19	56,96									*				*	*				
	39,10	36	32000	120,63	79,61	60,31									*				*	*				
	34,15	41	32000	137,38	90,67	68,69									*				*	*				
	29,28	48	32000	160,00	105,60	80,00									*				*	*				
	24,94	56	32000	160,00	105,60	80,00									*				*	*				
	20,38	69	32000	160,00	105,60	80,00									*				*	*				
	17,26	81	20500	160,00	105,60	80,00									*				*	*				
	14,10	99	19400	160,00	105,60	80,00									*				*	*				
	11,55	121	18400	160,00	105,60	80,00									*				*	*				
	10,68	131	18000	160,00	105,60	80,00									*				*	*				

* Achtung, überschreiten Sie nicht die maximale Antriebsleistung P1 max gemäß der Spalte Typ W

UNICASE™
Helical bevel gear units

kg	W	IEC 90	IEC 100	IEC 112	IEC 132	AI 160	AI 180	AI 200	AI 225	AI 250	AI 280	AI 315
SK 9092.1/52	1496	1491	1498	1498	1512	1511	1511	-	-	-	-	-
SK 9092.1	1515	-	-	-	1441	1455	1455	1466	1483	1545	1545	1599

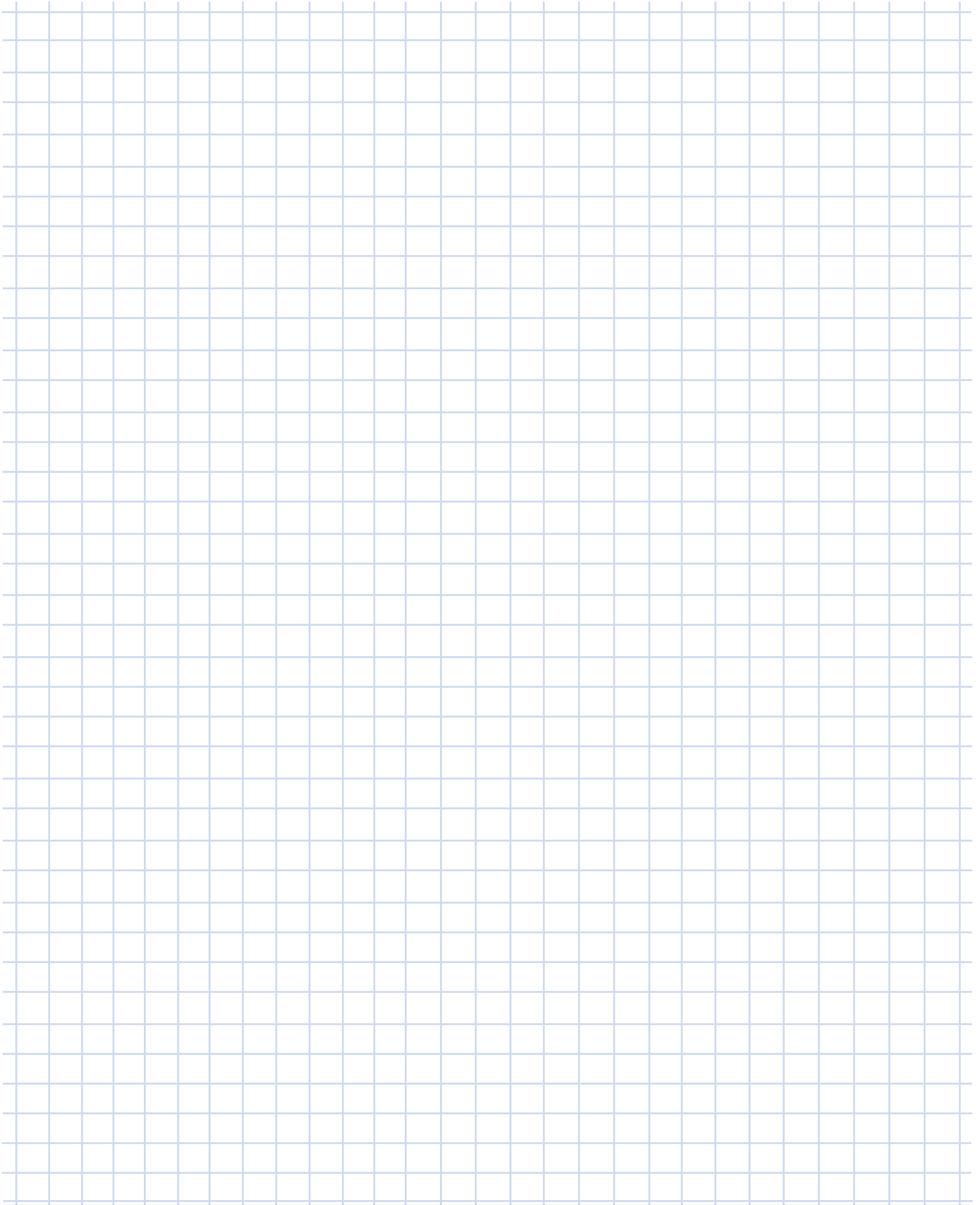
SK 9096.1/63
SK 9096.1/62
SK 9096.1



	i_{Total}	n_2 $n_1 =$ 1400 r/min [r/min]	M_{2max} $f_B = 1$ [Nm]	W			IEC													
				P_{1max}			$f_B \Rightarrow$ E4-56													
				$n_1 =$ 1400 r/min [kW]	$n_1 =$ 930 r/min [kW]	$n_1 =$ 700 r/min [kW]	IEC 90	IEC 100	IEC 112	IEC 132	AI 160	AI 180	AI 200	AI 225	AI 250	AI 280	AI 315			
SK 9096.1/63	13432,68	0,10	50000	0,56	0,37	0,28	*	*	*	*										
	11954,86	0,12	50000	0,67	0,44	0,33	*	*	*	*	*									
W	9713,32	0,14	50000	0,77	0,51	0,39	*	*	*	*	*	*								
$\frac{H}{mm}$	8306,57	0,17	50000	0,89	0,59	0,45	*	*	*	*	*	*								
\Rightarrow E141	7842,34	0,18	50000	0,94	0,62	0,47	*	*	*	*	*	*								
	6706,55	0,21	50000	1,10	0,73	0,55	*	*	*	*	*	*								
	5575,65	0,25	50000	1,31	0,86	0,65	*	*	*	*	*	*								
IEC, AI	4441,42	0,32	50000	1,68	1,11	0,84	*	*	*	*	*	*								
$\frac{H}{mm}$	3692,48	0,38	50000	1,99	1,31	0,99		*	*	*	*	*								
\Rightarrow A26	3210,12	0,44	50000	2,30	1,52	1,15			*	*	*	*								
	2679,06	0,52	50000	2,72	1,80	1,36				*	*	*	*							
	2316,27	0,60	50000	3,14	2,07	1,57				*	*	*	*							
	2052,10	0,68	50000	3,56	2,35	1,78				*	*	*	*							
	1774,21	0,79	50000	4,14	2,73	2,07				*	*	*	*							
SK 9096.1/62	1623,67	0,86	50000	4,50	2,97	2,25				*	*	*	*							
	1353,86	1,0	50000	5,24	3,46	2,62				*	*	*	*	*						
W	1165,22	1,2	50000	6,28	4,15	3,14				*	*	*	*	*						
$\frac{H}{mm}$	979,31	1,4	50000	7,33	4,84	3,66				*	*	*	*	*						
\Rightarrow E141	816,57	1,7	50000	8,90	5,87	4,45				*	*	*	*	*						
	702,80	2,0	50000	10,47	6,91	5,24					*	*	*	*						
	607,63	2,3	50000	12,04	7,95	6,02					*	*	*	*						
IEC, AI	538,33	2,6	50000	13,61	8,98	6,81					*	*	*	*						
$\frac{H}{mm}$	474,22	3,0	50000	15,71	10,37	7,85						*	*	*	*					
\Rightarrow E150	431,00	3,2	50000	16,75	11,06	8,38							*	*	*	*				
	370,95	3,8	50000	19,90	13,13	9,95								*	*					
	320,72	4,4	50000	23,04	15,20	11,52								*	*					
	297,17	4,7	50000	24,61	16,24	12,30								*	*					
	270,09	5,2	50000	27,23	17,97	13,61								*	*					
	233,51	6,0	50000	31,41	20,73	15,71								*	*					
	208,95	6,7	50000	35,08	23,15	17,54								*	*					
SK 9096.1	200,57	7,0	50000	36,65	24,19	18,32								*	*					
	173,41	8,1	50000	42,41	27,99	21,20								*	*					
W	154,29	9,1	50000	47,64	31,45	23,82									*	*				
$\frac{H}{mm}$	133,53	10	50000	52,36	34,55	26,18									*	*				
\Rightarrow E142	118,18	12	50000	62,83	41,47	31,41									*	*			*	*
	102,18	14	50000	73,30	48,38	36,65									*	*			*	*
	89,60	16	50000	83,77	55,29	41,88									*	*			*	*
IEC, AI	81,43	17	50000	89,01	58,74	44,50									*	*			*	*
$\frac{H}{mm}$	70,41	20	50000	104,71	69,11	52,36									*	*			*	*
\Rightarrow E150	65,07	22	50000	115,18	76,02	57,59									*	*			*	*
	56,26	25	50000	130,89	86,39	65,45									*	*			*	*
	47,79	29	50000	151,83	100,21	75,92									*	*			*	*
	41,32	34	50000	178,01	117,49	89,01									*	*			*	*
	36,24	39	50000	200,00	132,00	100,00									*	*			*	*
	32,93	43	50000	200,00	132,00	100,00									*	*			*	*
	28,47	49	50000	200,00	132,00	100,00									*	*			*	*
	26,31	53	50000	200,00	132,00	100,00									*	*			*	*
	22,75	62	50000	200,00	132,00	100,00									*	*			*	*
	19,41	72	50000	200,00	132,00	100,00									*	*			*	*
	16,78	83	50000	200,00	132,00	100,00									*	*			*	*

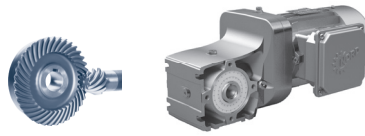
* Achtung, überschreiten Sie nicht die maximale Antriebsleistung P1max gemäß der Spalte Typ W

kg	W	IEC 90	IEC 100	IEC 112	IEC 132	AI 160	AI 180	AI 200	AI 225	AI 250	AI 280	AI 315
SK 9096.1/63	1949	1944	1951	1951	1965	1964	1964	-	-	-	-	-
SK 9096.1/62	1971	-	1959	1959	1972	1986	1986	1997	2014	-	-	-
SK 9096.1	1870	-	-	-	1841	1855	1855	1866	1883	1945	1945	1999

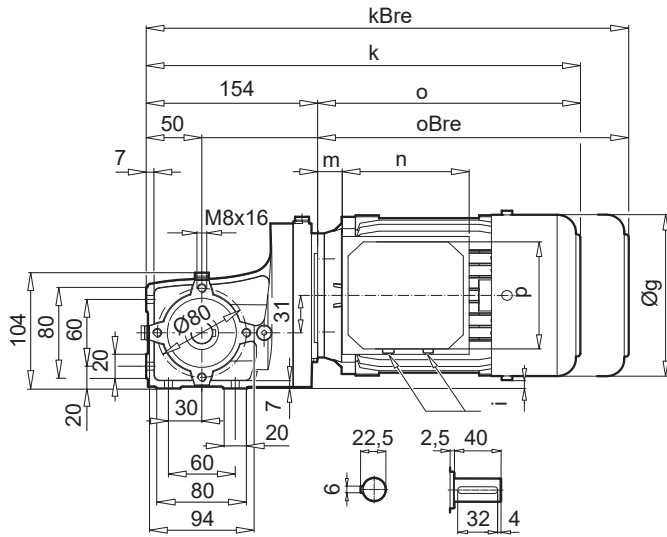


A large grid area for taking notes, consisting of a 20x30 grid of light blue lines.

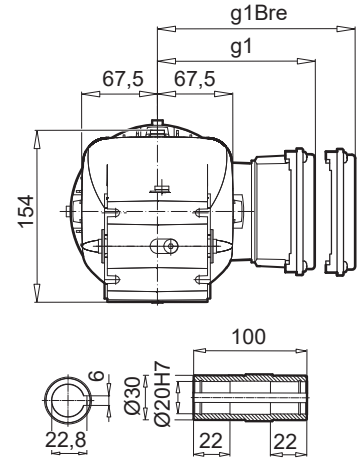
SK 920072.1



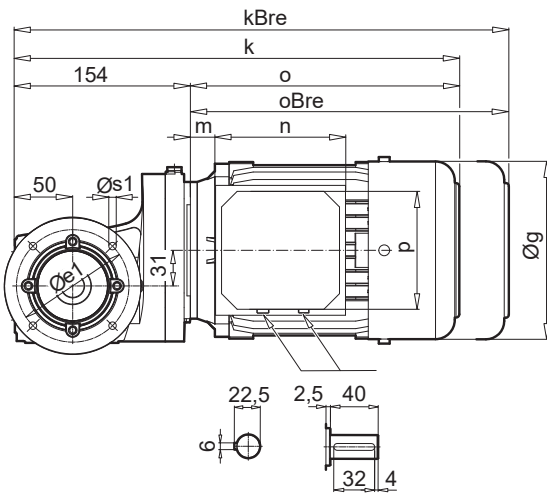
SK 920072.1 V



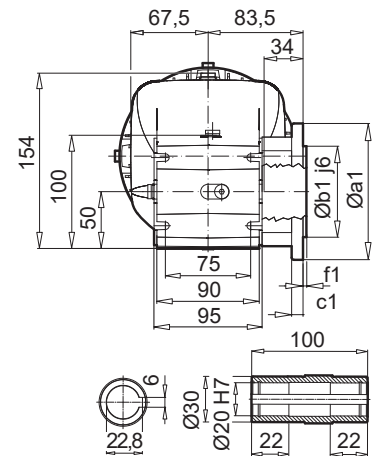
SK 920072.1 A



SK 920072.1VF



SK 920072.1 AF



a1	b1	c1	e1	f1	s1
120	80	10	100	3,0	4 x 7,0
140	95	10	115	3,0	4 x 9,0

± ⇄ A60	63 SP/LP	71 SP/LP	80 SP/LP
g	130	145	165
g1 / g1Bre	115 / 123	124 / 132	142 / 142
k / kBre	346 / 402	368 / 426	390 / 454
o / oBre	192 / 248	214 / 272	236 / 300
m / mBre	12 / 18	20 / 26	22 / 26
n / nBre	100 / 134	100 / 134	114 / 153
p / pBre	100 / 89	100 / 89	114 / 108
i	18,5	11	1,5

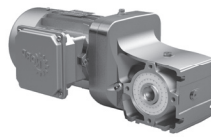


W ⇄ E136

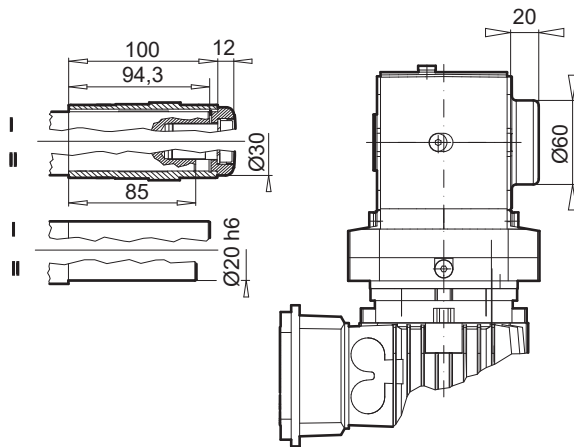


IEC, NEMA ⇄ E144

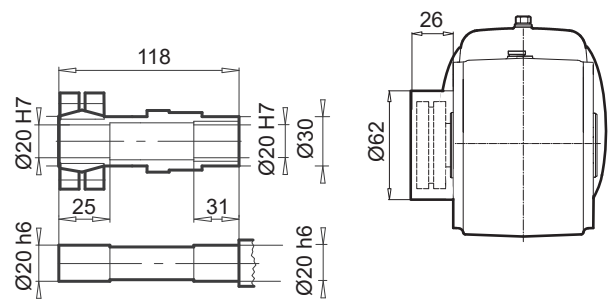
NORDBLOC.1 Helical bevel gear units



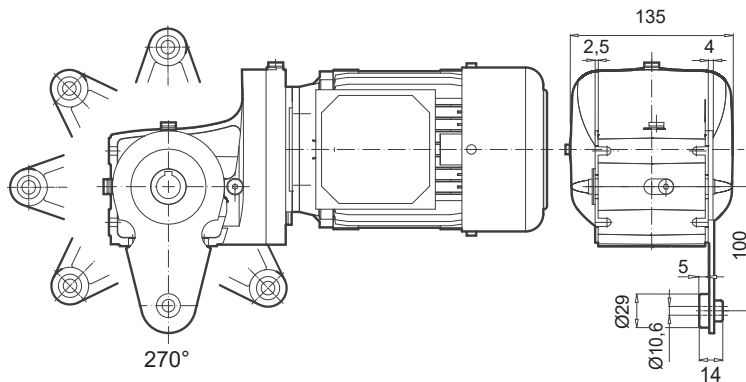
SK 920072.1 ABH (AFBH)



SK 920072.1 ASH (AFSH)



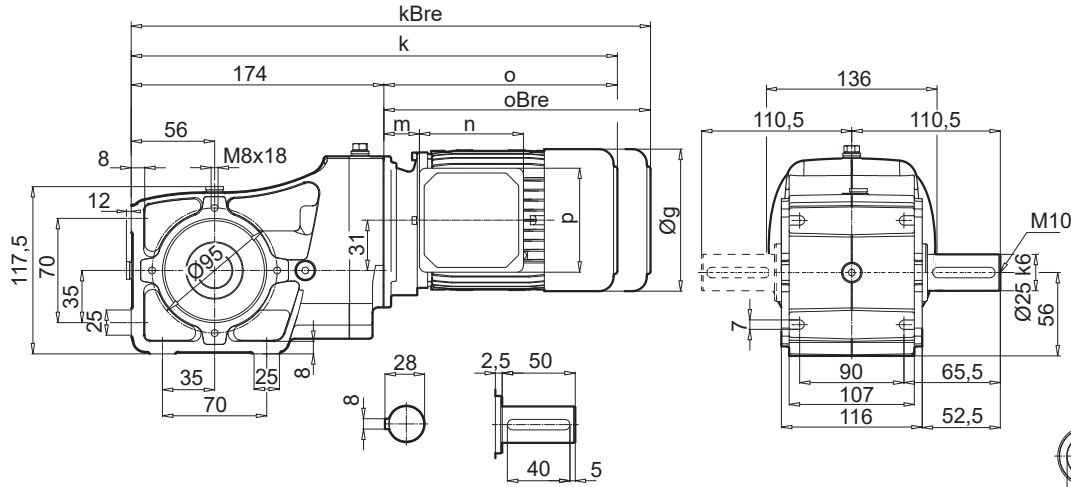
SK 920072.1 AD



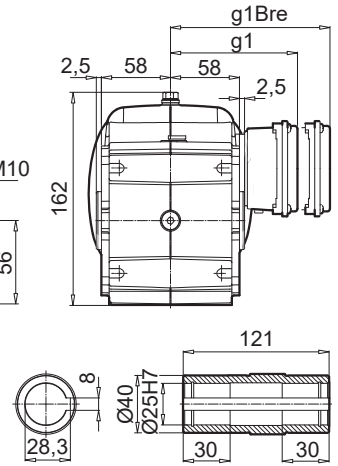
SK 92072.1



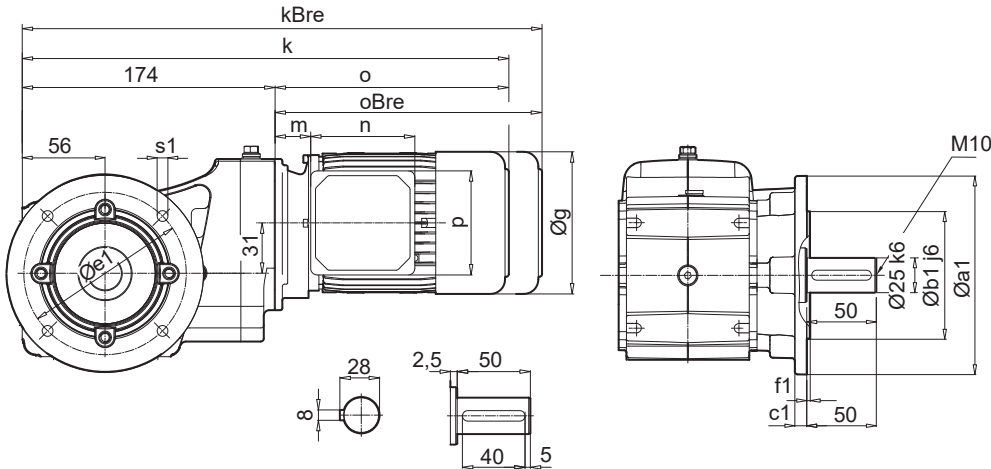
SK 92072.1 V



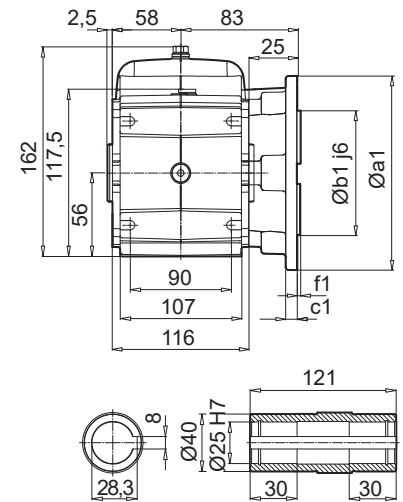
SK 92072.1 A



SK 92072.1VF



SK 92072.1 AF



NORDBLOC.1 Helical bevel gear units

a1	b1	c1	e1	f1	s1
140	95	10	115	3,0	4 x 9,0

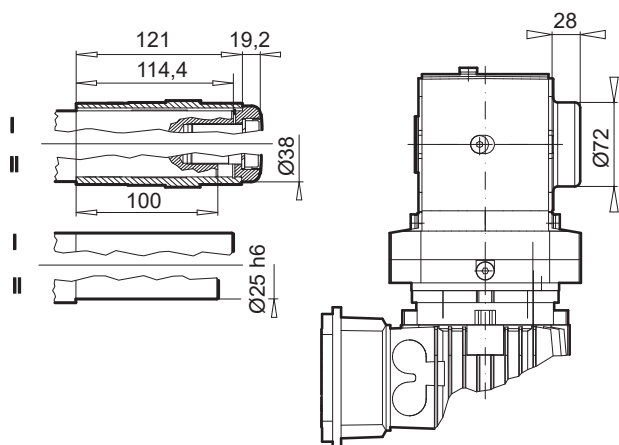
± ⇒ A60	63 SP/LP	71 SP/LP	80 SP/LP	90 SP
g	130	145	165	183
g1 / g1Bre	115 / 123	124 / 132	142 / 142	147 / 147
k / kBre	366 / 422	388 / 446	410 / 474	450 / 525
o / oBre	192 / 248	214 / 272	236 / 300	276 / 351
m / mBre	12 / 19	20 / 27	22 / 26	26 / 30
n / nBre	100 / 134	100 / 134	114 / 153	114 / 153
p / pBre	100 / 89	100 / 89	114 / 108	114 / 108



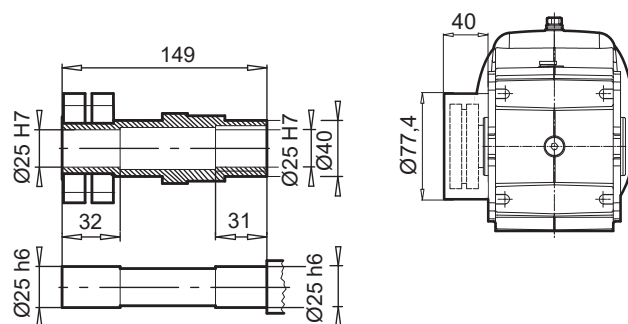
W ⇒ E136
IEC, NEMA ⇒ E144



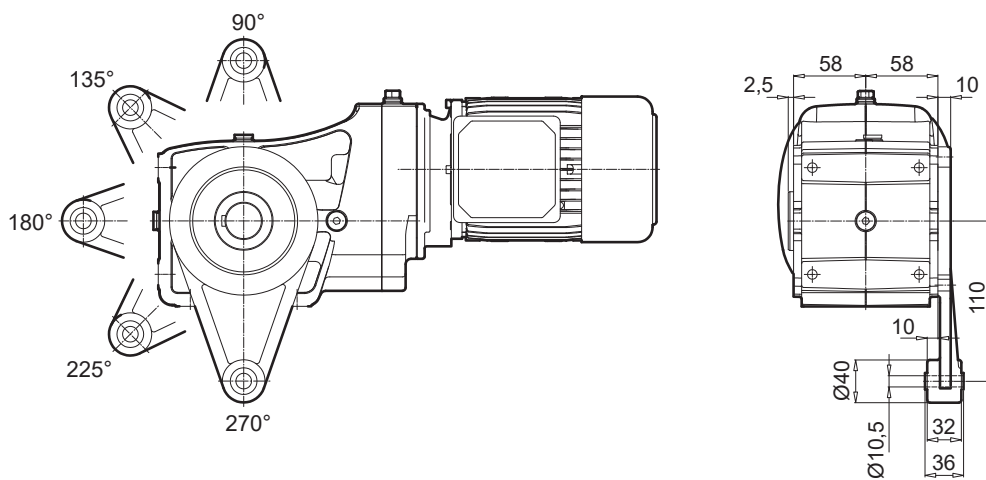
SK 92072.1 ABH (AFBH)



SK 92072.1 ASH (AFSH)



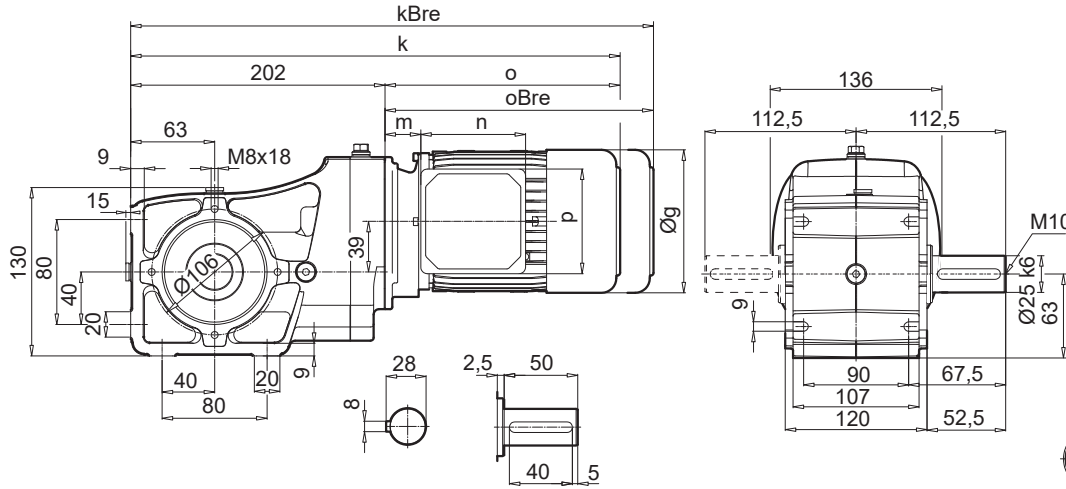
SK 92072.1 AD



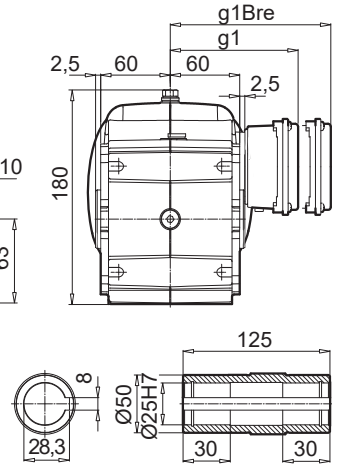
SK 92172.1



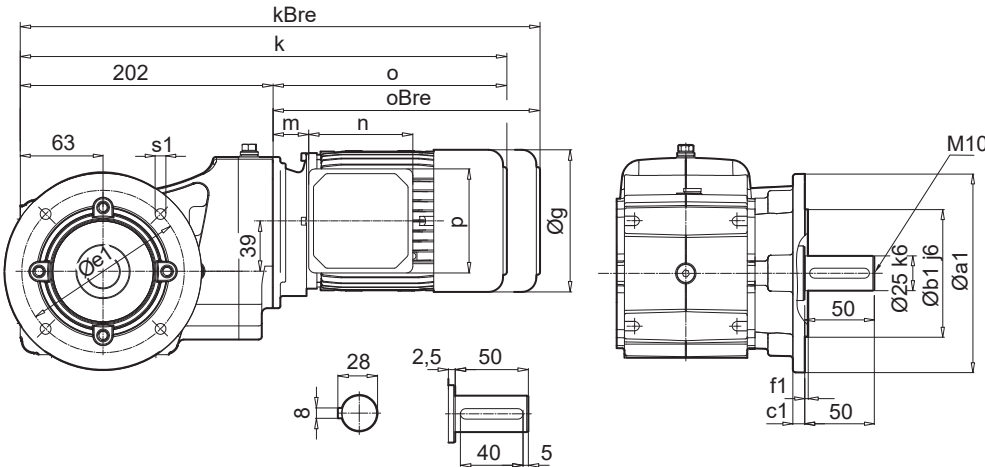
SK 92172.1 V



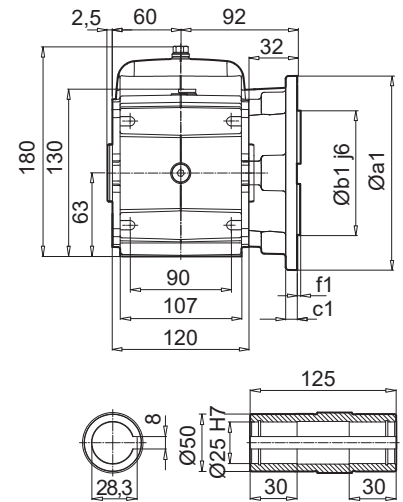
SK 92172.1 A



SK 92172.1VF



SK 92172.1 AF



a1	b1	c1	e1	f1	s1
160	110	12	130	3,5	4 x 9,0

NORDBLOC.1 Helical bevel gear units

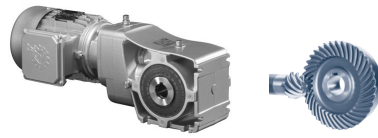
± ⇒ A60	63 SP/LP	71 SP/LP	80 SP/LP	90 SP/LP
g	130	145	165	183
g1 / g1Bre	115 / 123	124 / 132	142 / 142	147 / 147
k / kBre	394 / 450	416 / 474	438 / 502	478 / 553
o / oBre	192 / 248	214 / 272	236 / 300	276 / 351
m / mBre	12 / 19	20 / 27	22 / 26	26 / 30
n / nBre	100 / 134	100 / 134	114 / 153	114 / 153
p / pBre	100 / 89	100 / 89	114 / 108	114 / 108



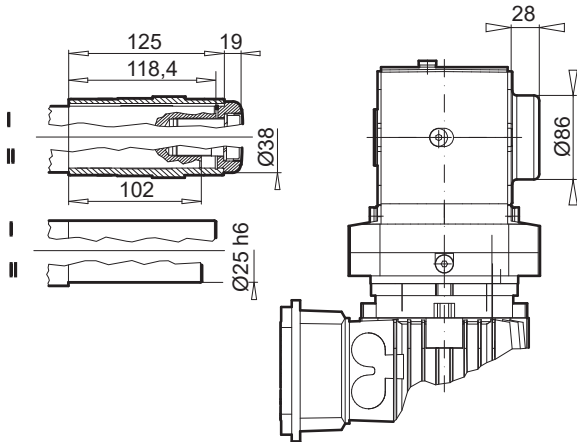
W ⇒ E136



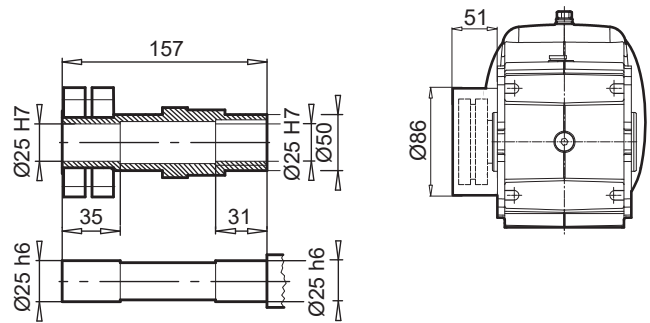
IEC, NEMA ⇒ E144



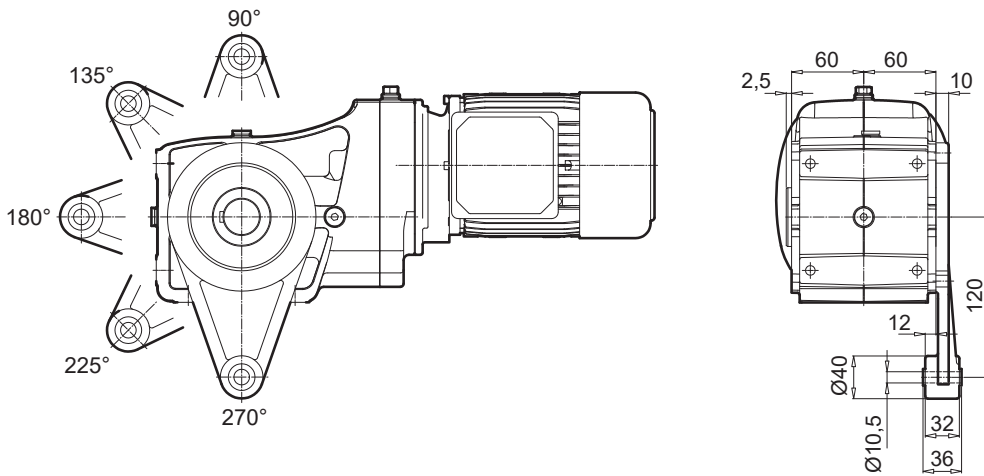
SK 92172.1 ABH (AFBH)



SK 92172.1 ASH (AFSH)



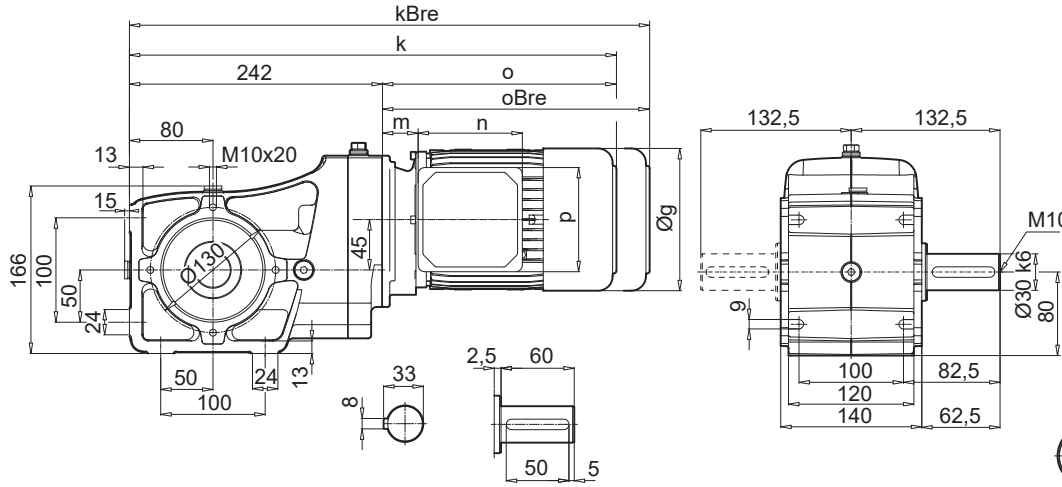
SK 92172.1 AD



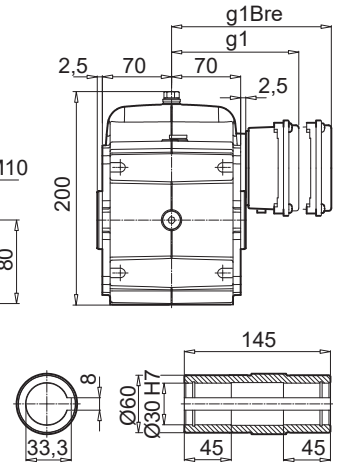
SK 92372.1



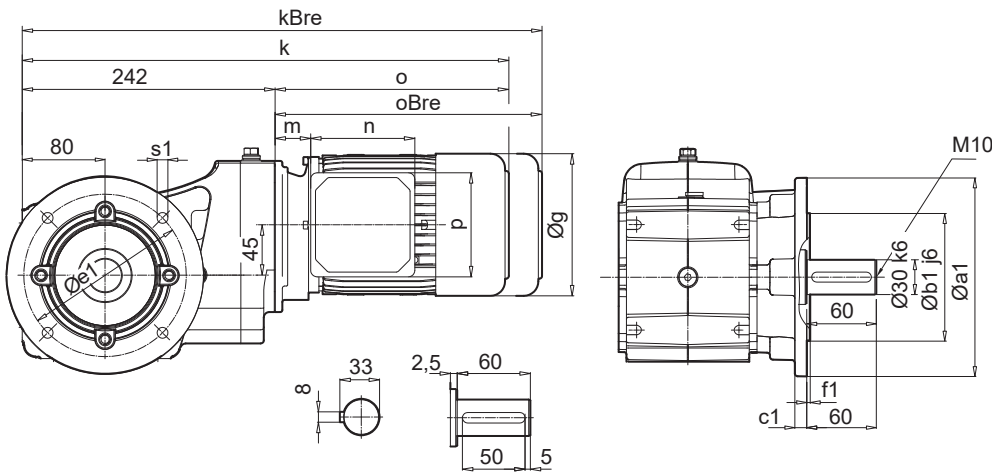
SK 92372.1 V



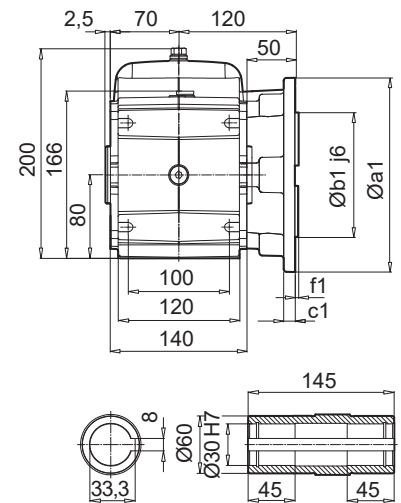
SK 92372.1 A



SK 92372.1VF



SK 92372.1 AF



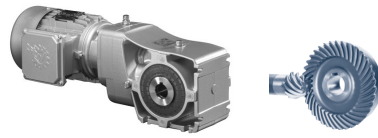
a1	b1	c1	e1	f1	s1
160	110	12	130	3,5	4 x 9,0
200	130	12	165	3,5	4 x 11

± ⇨ A60	63 SP/LP	71 SP/LP	80 SP/LP	90 SP/LP	100 LP/AP	112MP
g	130	145	165	183	201	228
g1 / g1Bre	115 / 123	124 / 132	142 / 142	147 / 147	169 / 173	179 / 182
k / kBre	438 / 494	478 / 536	503 / 567	544 / 619	574 / 665	622 / 716
o / oBre	192 / 252	236 / 294	261 / 325	302 / 377	332 / 423	380 / 473
m / mBre	16 / 23	42 / 49	47 / 51	52 / 56	58 / 62	64 / 67
n / nBre	100 / 134	100 / 134	114 / 153	114 / 153	114 / 153	114 / 153
p / pBre	100 / 89	100 / 89	114 / 108	114 / 108	114 / 108	114 / 108

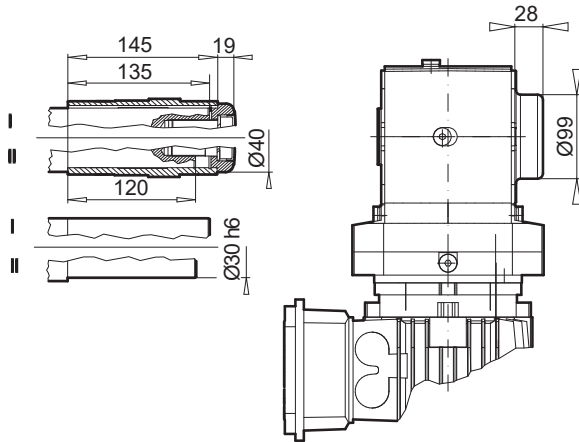


W ⇨ E137
IEC, NEMA ⇨ E145

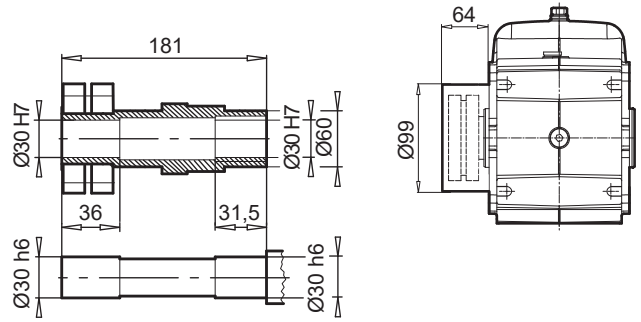
NORDBLOC.1 Helical bevel gear units



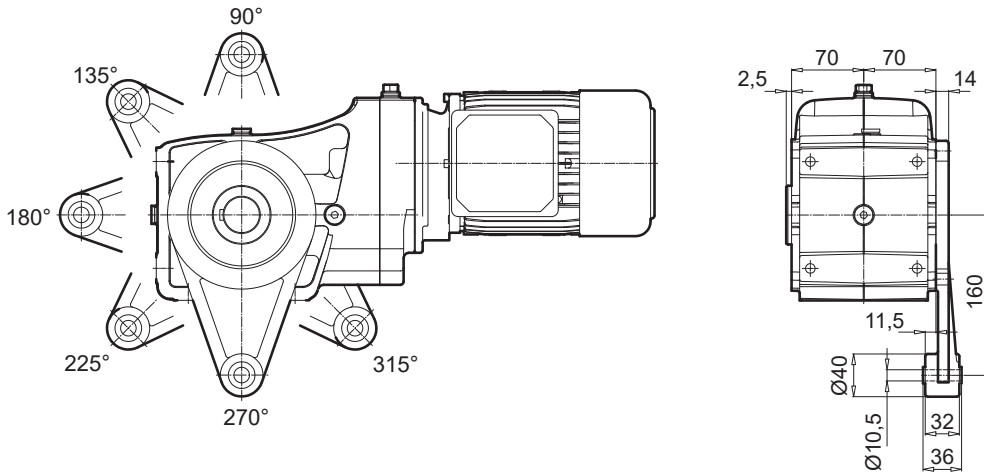
SK 92372.1 ABH (AFBH)



SK 92372.1 ASH (AFSH)



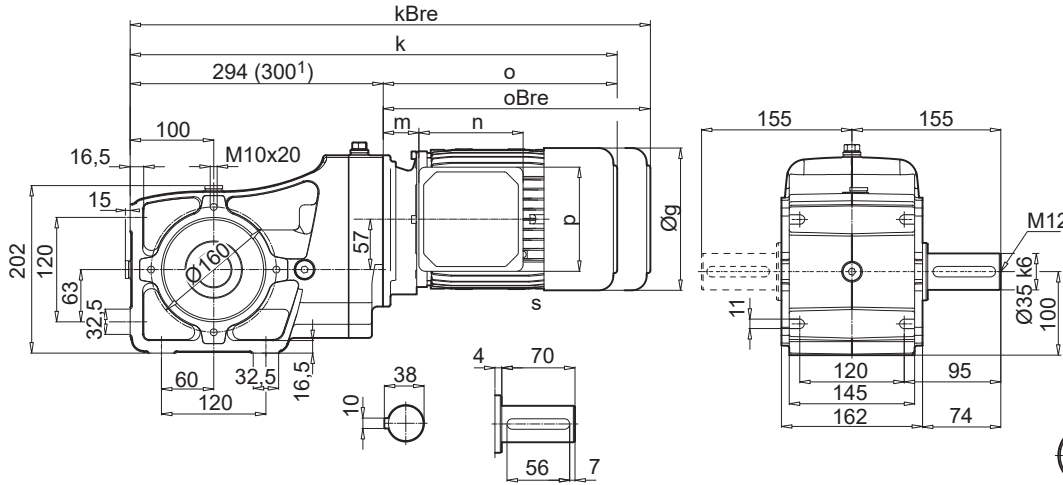
SK 92372.1 AD



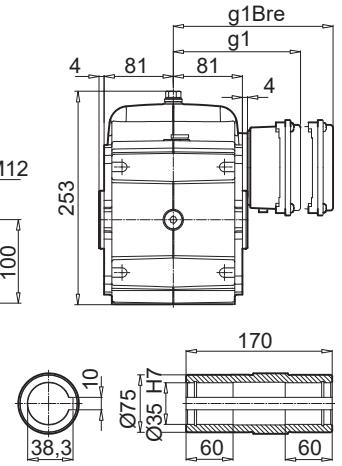
SK 92672.1



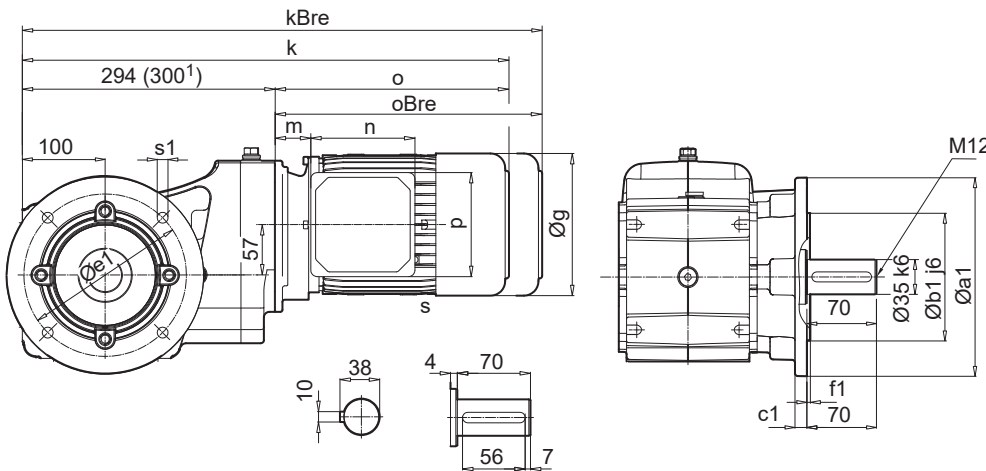
SK 92672.1 V



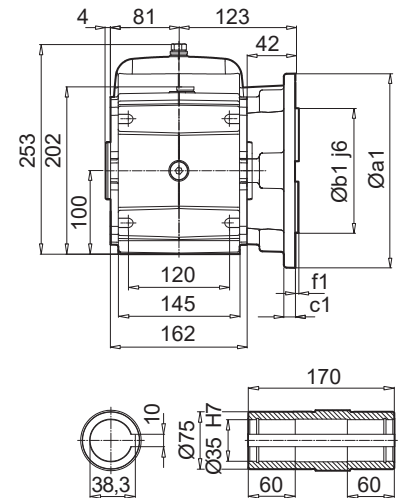
SK 92672.1 A



SK 92672.1VF



SK 92672.1 AF



a1	b1	c1	e1	f1	s1
160	110	10	130	3,5	4 x 9,0
200	130	12	165	3,5	4 x 11,4

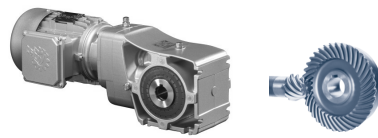
± ⇒ A60	71 SP/LP	80 SP/LP	90 SP/LP	100 LP/AP	112 MP	132 SP/MP 1)
g	145	165	183	201	228	266
g1 / g1Bre	124 / 132	142 / 142	147 / 147	169 / 173	179 / 182	204 / 201
k / kBre	530 / 588	555 / 619	596 / 671	626 / 717	674 / 767	735 / 842
o / oBre	236 / 294	261 / 325	302 / 377	332 / 423	380 / 473	435 / 542
m / mBre	42 / 49	47 / 51	52 / 56	58 / 62	64 / 67	71 / 62
n / nBre	100 / 134	114 / 153	114 / 153	114 / 153	114 / 153	122 / 185
p / pBre	100 / 89	114 / 108	114 / 108	114 / 108	114 / 108	122 / 139



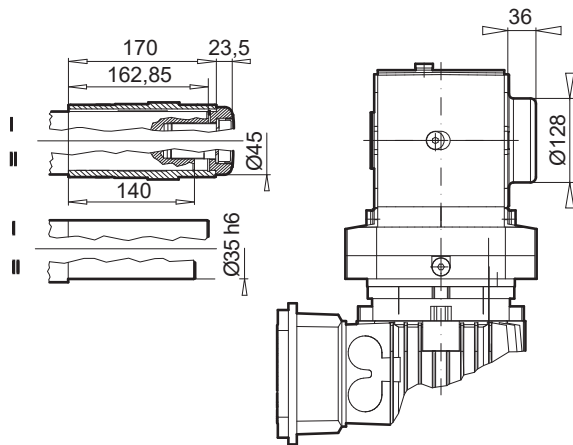
W ⇒ A137
IEC, NEMA ⇒ A145



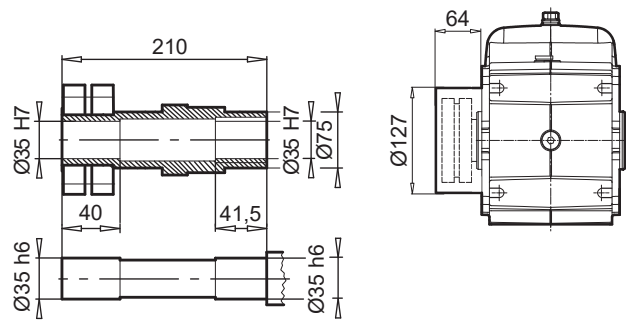
NORDBLOC.1 Helical bevel gear units



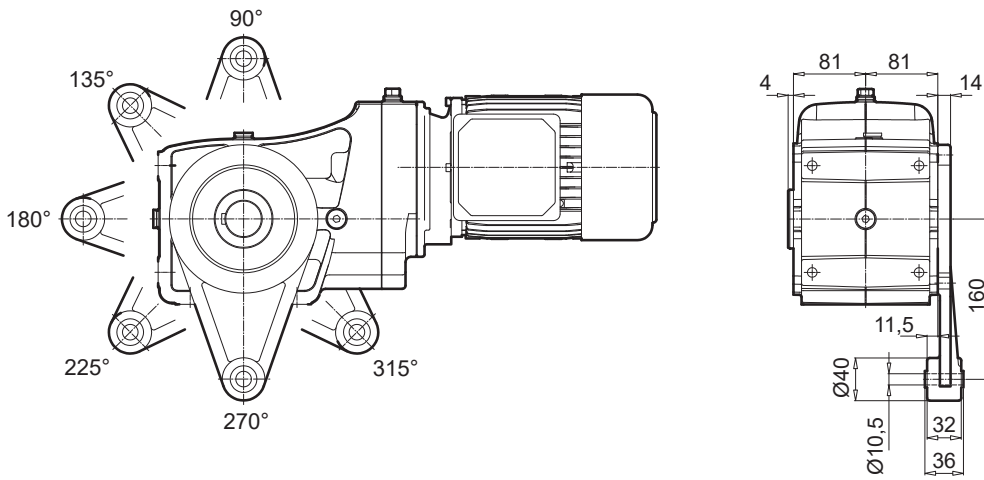
SK 92672.1 ABH (AFBH)



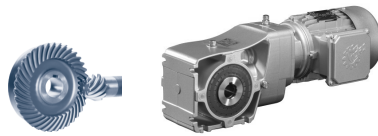
SK 92672.1 ASH (AFSH)



SK 92672.1 AD

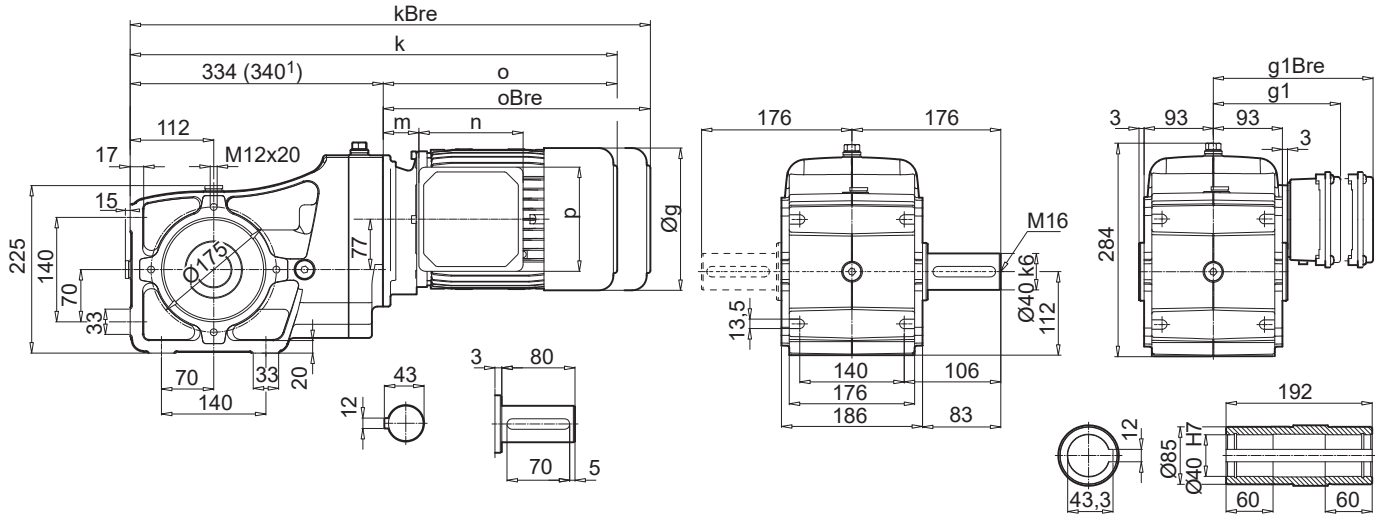


SK 92772.1



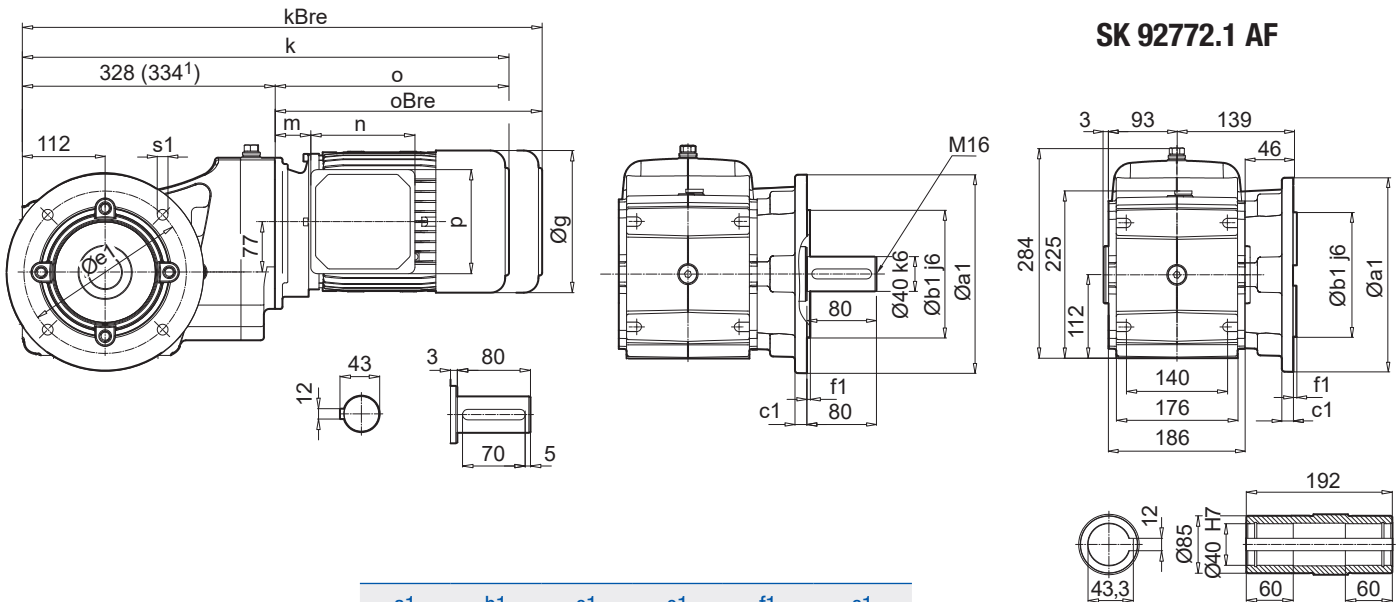
SK 92772.1 V

SK 92772.1 A



SK 92772.1VF

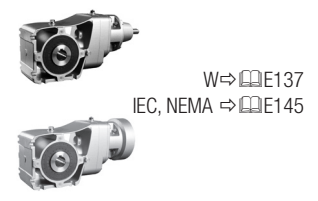
SK 92772.1 AF



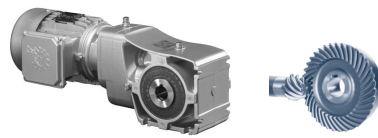
a1	b1	c1	e1	f1	s1
250	180	15	215	4,0	4 x 13,5

NORDBLOC.1 Helical bevel gear units

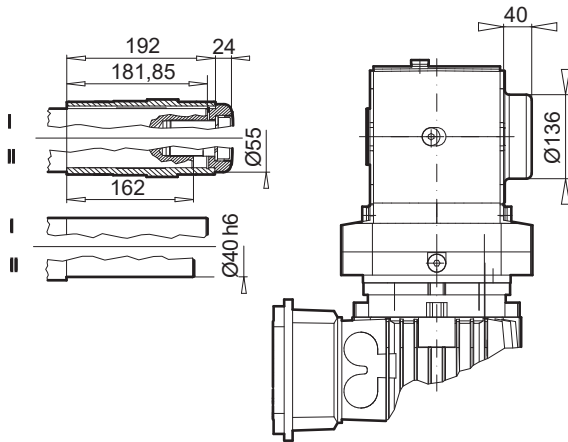
± ⇒ A60	71 SP/LP	80 SP/LP	90 SP/LP	100 LP/AP	112 MP	132 SP/MP 1)
g	145	165	183	201	228	266
g1 / g1Bre	124 / 132	142 / 142	147 / 147	169 / 173	179 / 182	204 / 201
k / kBre	564 / 622	589 / 653	630 / 705	660 / 751	708 / 801	769 / 876
o / oBre	236 / 294	261 / 325	302 / 377	332 / 423	380 / 473	435 / 542
m / mBre	42 / 49	47 / 51	52 / 56	58 / 62	64 / 67	71 / 62
n / nBre	100 / 134	114 / 153	114 / 153	114 / 153	114 / 153	122 / 185
p / pBre	100 / 89	114 / 108	114 / 108	114 / 108	114 / 108	122 / 139



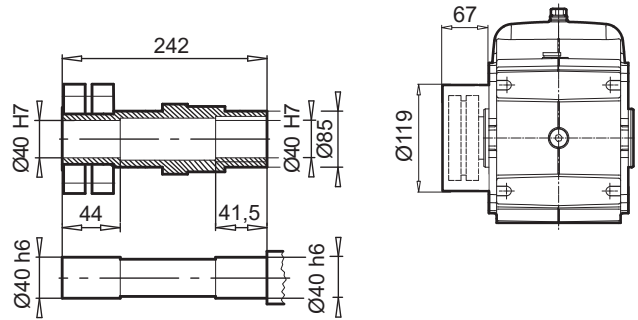
W ⇒ E137 IEC, NEMA ⇒ E145



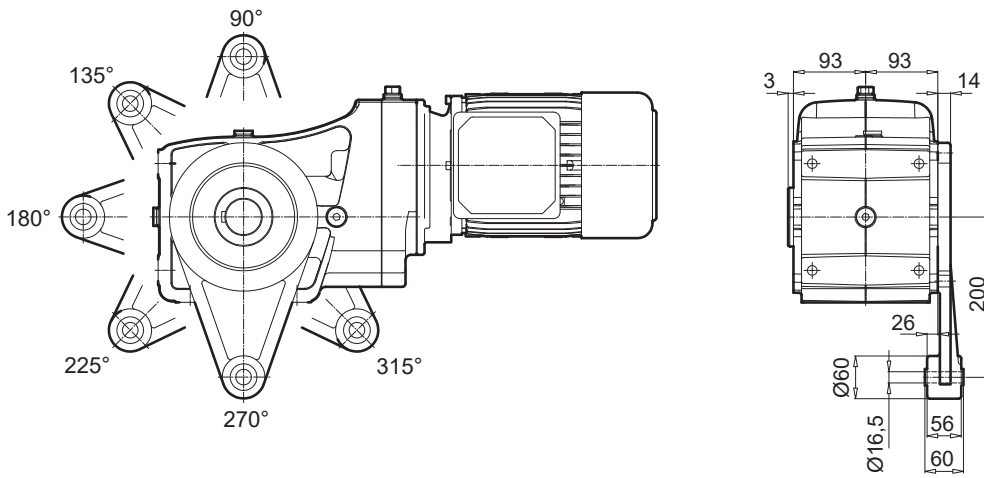
SK 92772.1 ABH (AFBH)



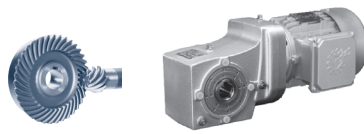
SK 92772.1 ASH (AFSH)



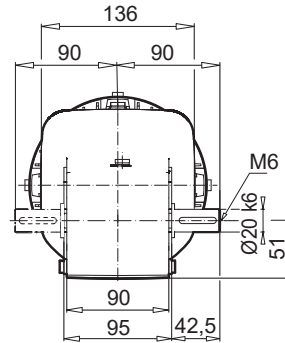
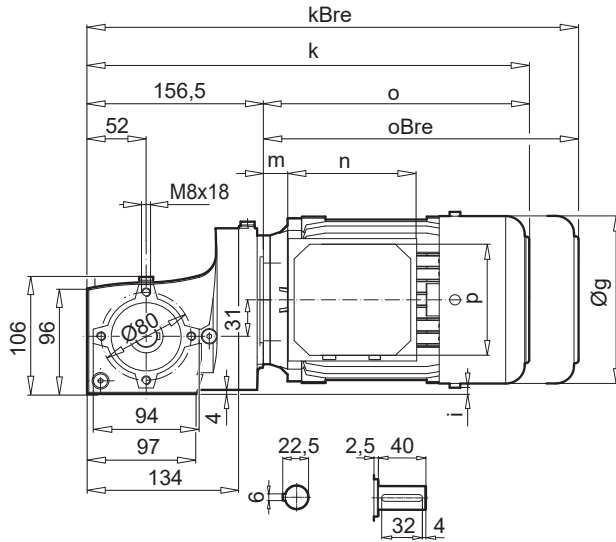
SK 92772.1 AD



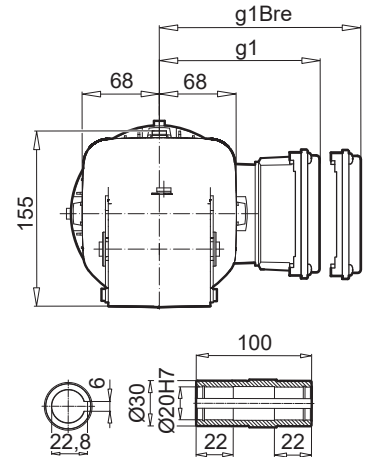
SK 930072.1



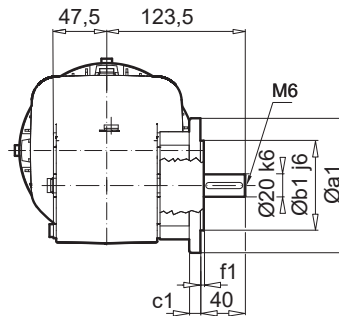
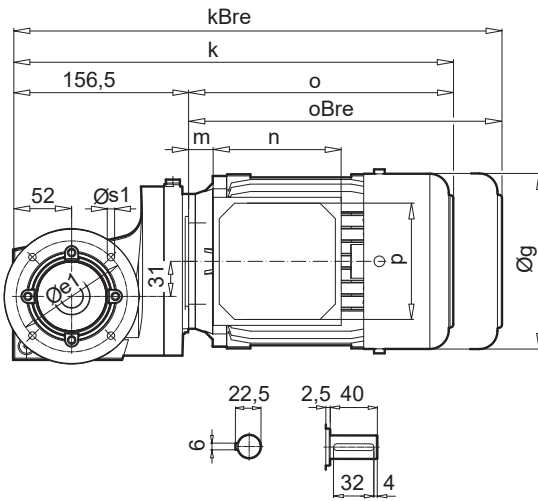
SK 930072.1 V



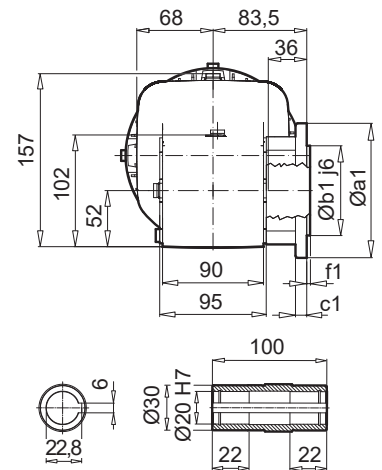
SK 930072.1 A



SK 930072.1VF



SK 930072.1 AF



a1	b1	c1	e1	f1	s1
120	80	10	100	3,0	4 x 7,0
140	95	10	115	3,0	4 x 9,0

± ↗ A60	63 SP/LP	71 SP/LP	80 SP/LP	90 SP/LP
g	130	145	165	183
g1 / g1Bre	115 / 123	124 / 132	142 / 142	147 / 147
k / kBre	349 / 405	371 / 429	393 / 457	433 / 508
o / oBre	192 / 248	214 / 272	236 / 300	276 / 351
m / mBre	12 / 18	20 / 26	22 / 26	26 / 29
n / nBre	100 / 134	100 / 134	114 / 153	114 / 153
p / pBre	100 / 89	100 / 89	114 / 108	114 / 108
i	18,5	11	1,5	-6



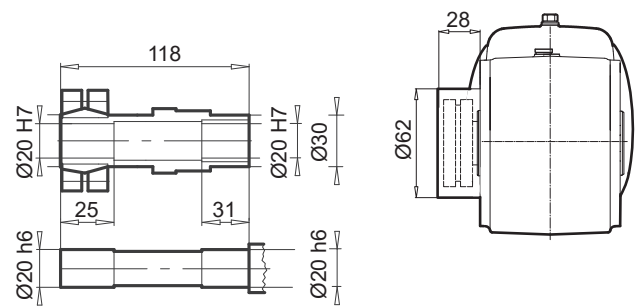
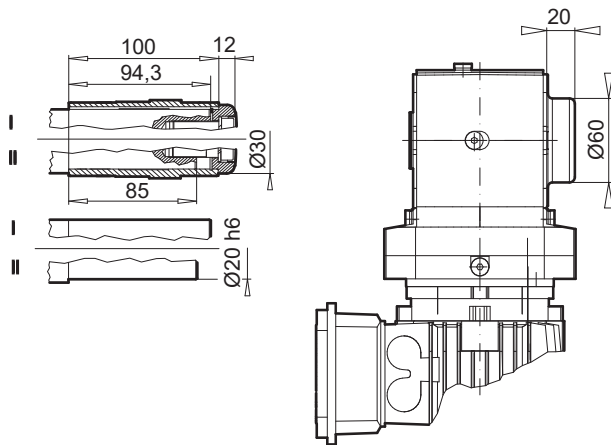
W ⇒ IEC E138
IEC, NEMA ⇒ IEC E146

NORDBLOC.1 Helical bevel gear units

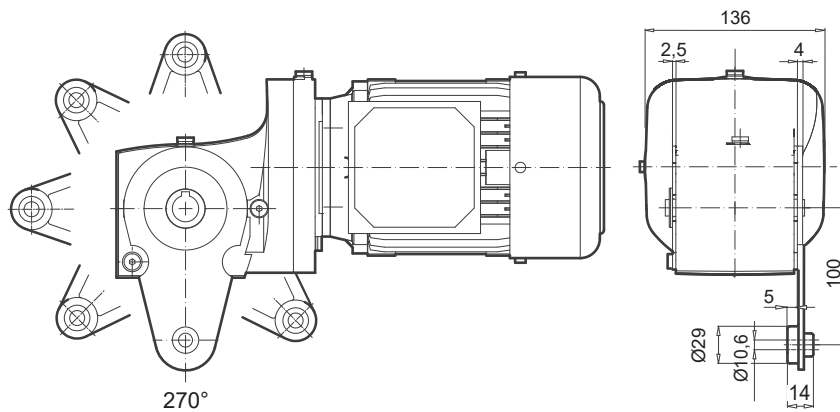


SK 930072.1 ABH (AFBH)

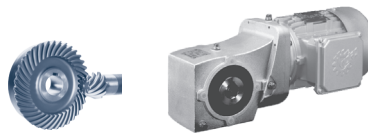
SK 930072.1 ASH (AFSH)



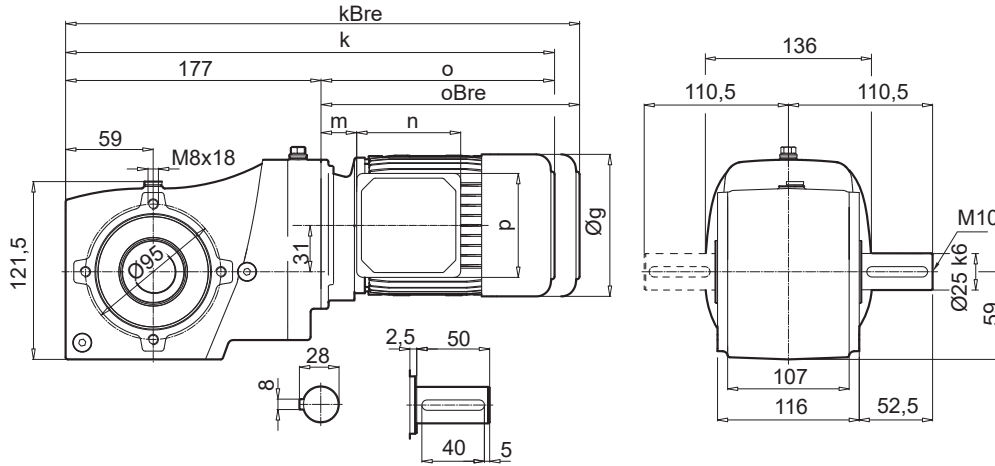
SK 930072.1 AD



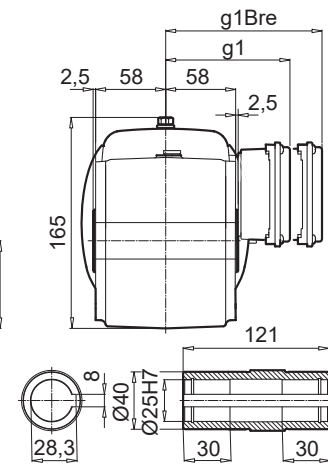
SK 93072.1



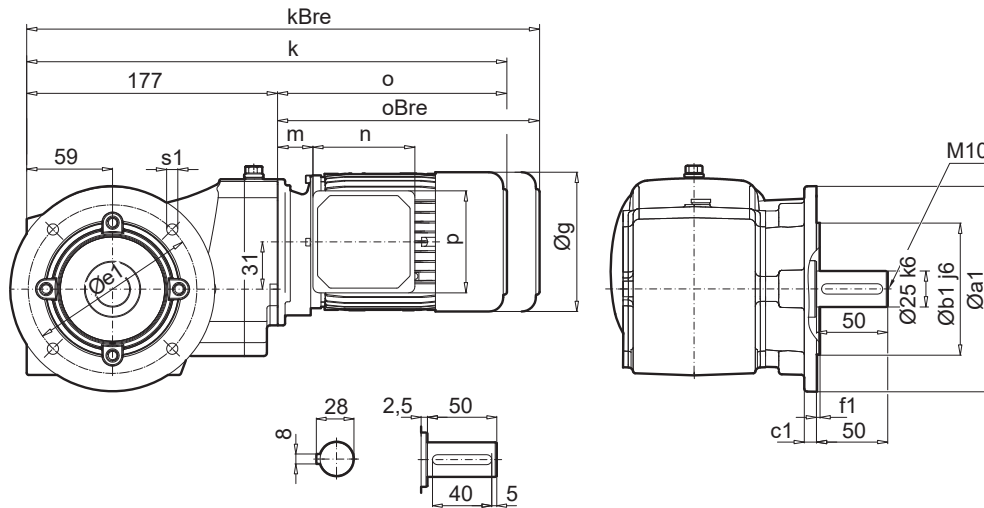
SK 93072.1 V



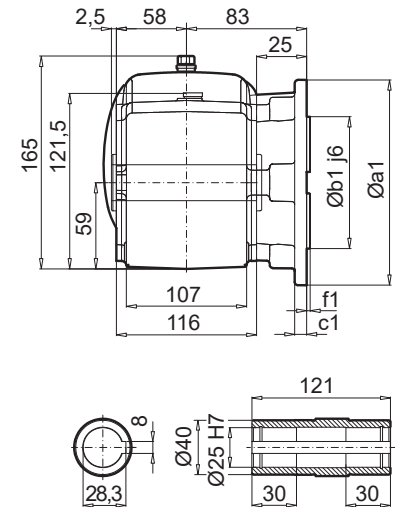
SK 93072.1 A



SK 93072.1VF



SK 93072.1 AF



a1	b1	c1	e1	f1	s1
140	95	10	115	3,0	4 x 9,0

NORDBLOC.1 Helical bevel gear units

± ⇒ A60	63 SP/LP	71 SP/LP	80 SP/LP	90 SP/LP
g	130	145	165	183
g1 / g1Bre	115 / 123	124 / 132	142 / 142	147 / 147
k / kBre	369 / 425	391 / 449	413 / 477	453 / 528
o / oBre	192 / 248	214 / 272	236 / 300	276 / 351
m / mBre	12 / 19	20 / 27	22 / 26	26 / 30
n / nBre	100 / 134	100 / 134	114 / 153	114 / 153
p / pBre	100 / 89	100 / 89	114 / 108	114 / 108

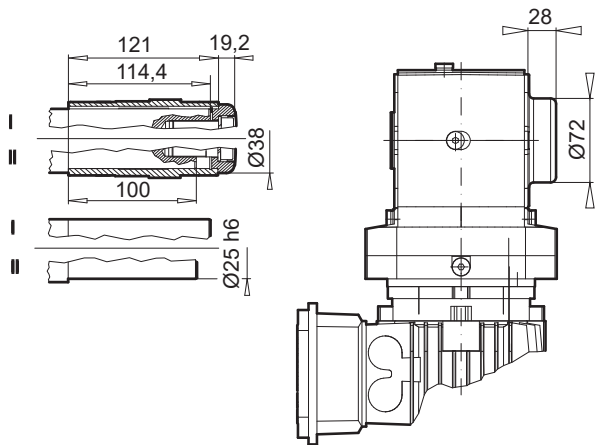


W ⇒ E138
IEC, NEMA ⇒ E146

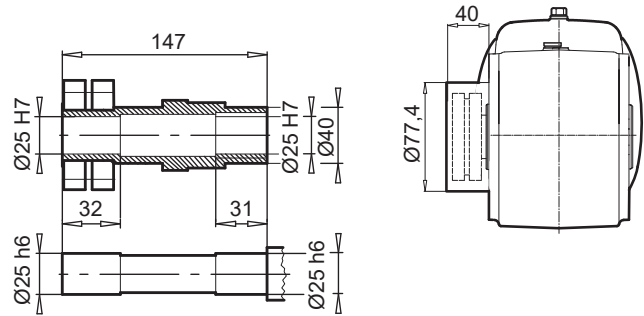




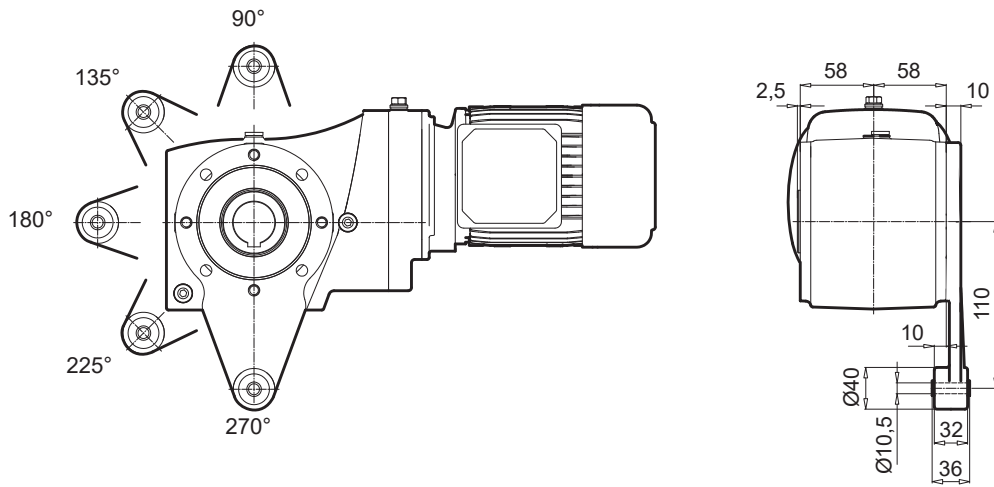
SK 93072.1 ABH (AFBH)



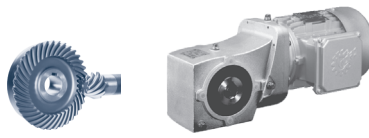
SK 93072.1 ASH (AFSH)



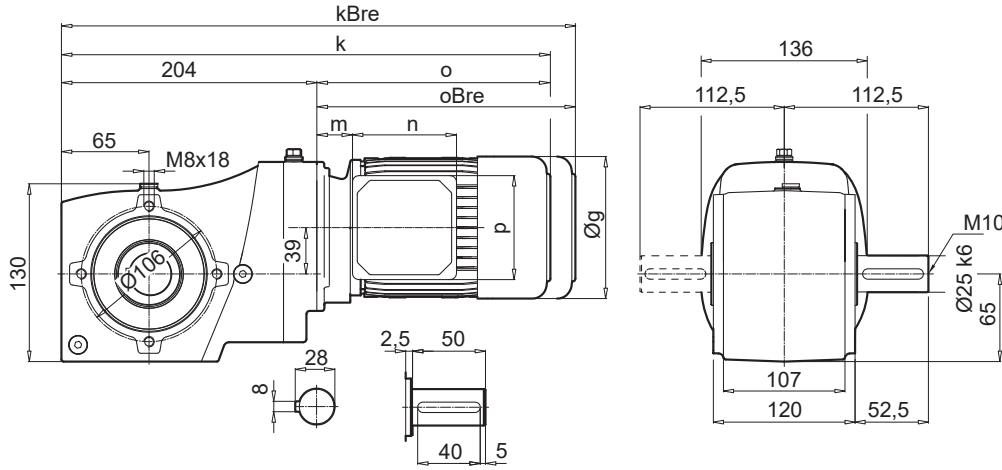
SK 93072.1 AD



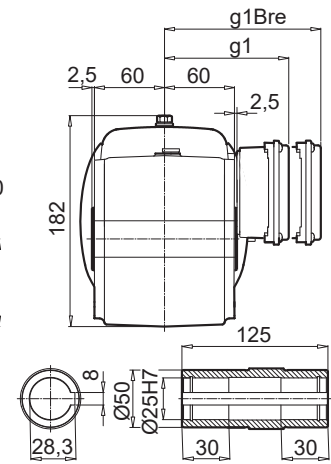
SK 93172.1



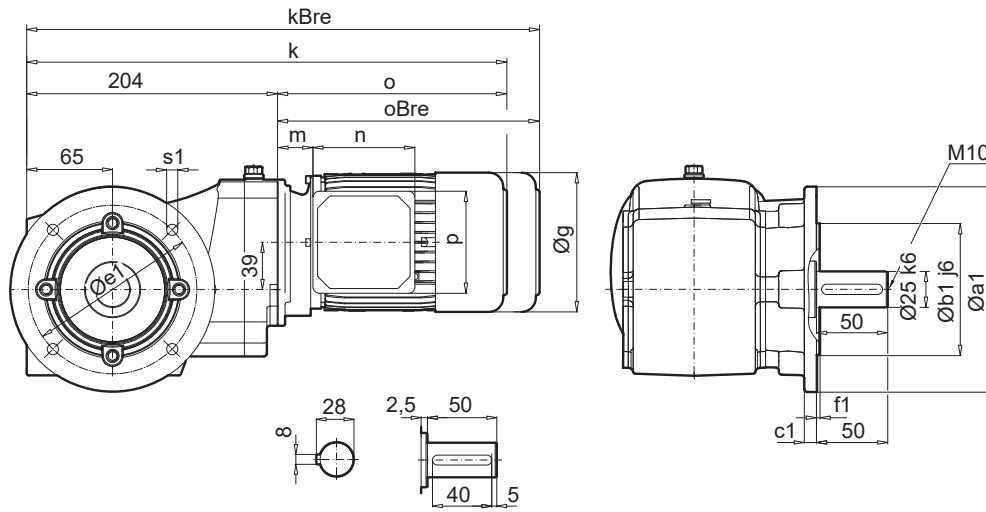
SK 93172.1 V



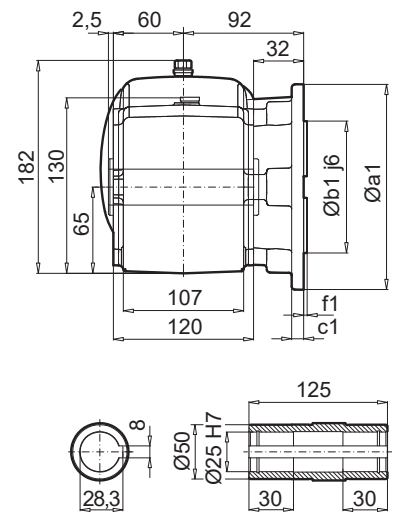
SK 93172.1 A



SK 93172.1VF



SK 93172.1 AF



NORDBLOC.1 Helical bevel gear units

a1	b1	c1	e1	f1	s1
160	110	12	130	3,5	4 x 9,0

± ⇒ A60	63 SP/LP	71 SP/LP	80 SP/LP	90 SP/LP
g	130	145	165	183
g1 / g1Bre	115 / 123	124 / 132	142 / 142	147 / 147
k / kBre	396 / 452	418 / 476	440 / 504	480 / 555
o / oBre	192 / 248	214 / 272	236 / 300	276 / 351
m / mBre	12 / 19	20 / 27	22 / 26	26 / 30
n / nBre	100 / 134	100 / 134	114 / 153	114 / 153
p / pBre	100 / 89	100 / 89	114 / 108	114 / 108



W ⇒ E138

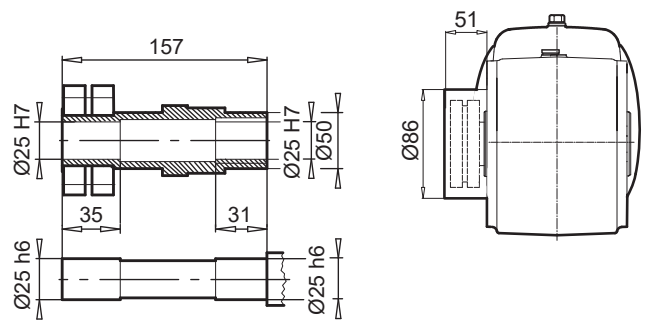
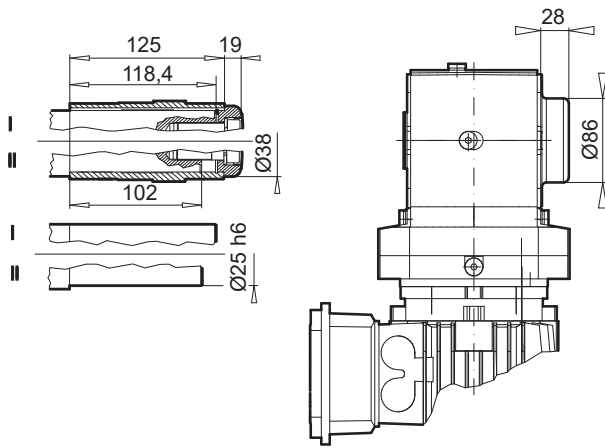


IEC, NEMA ⇒ E146

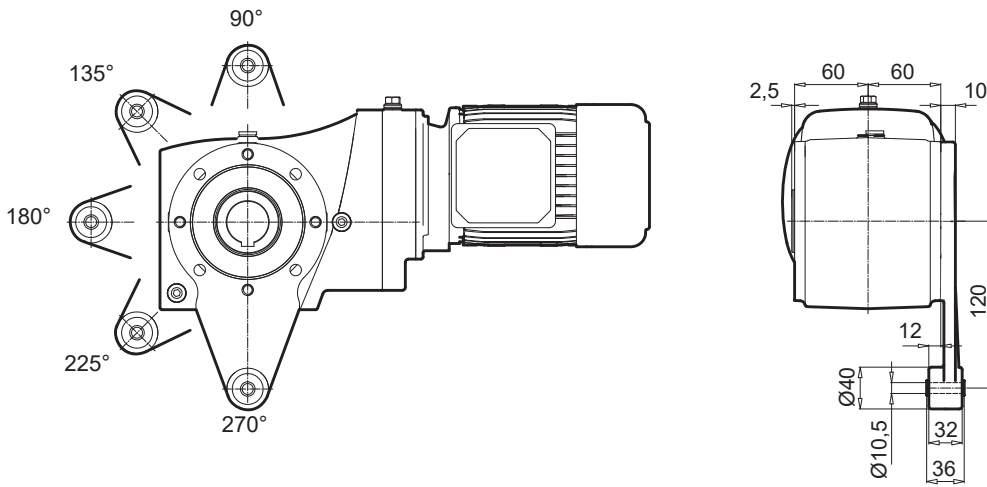


SK 93172.1 ABH (AFBH)

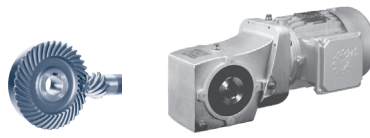
SK 93172.1 ASH (AFSH)



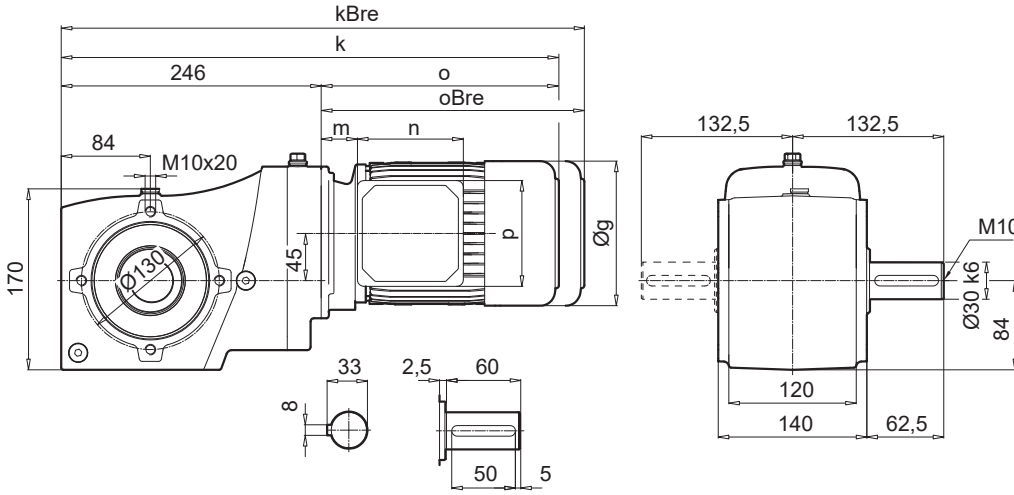
SK 93172.1 AD



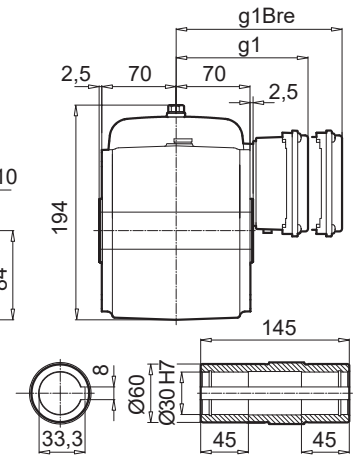
SK 93372.1



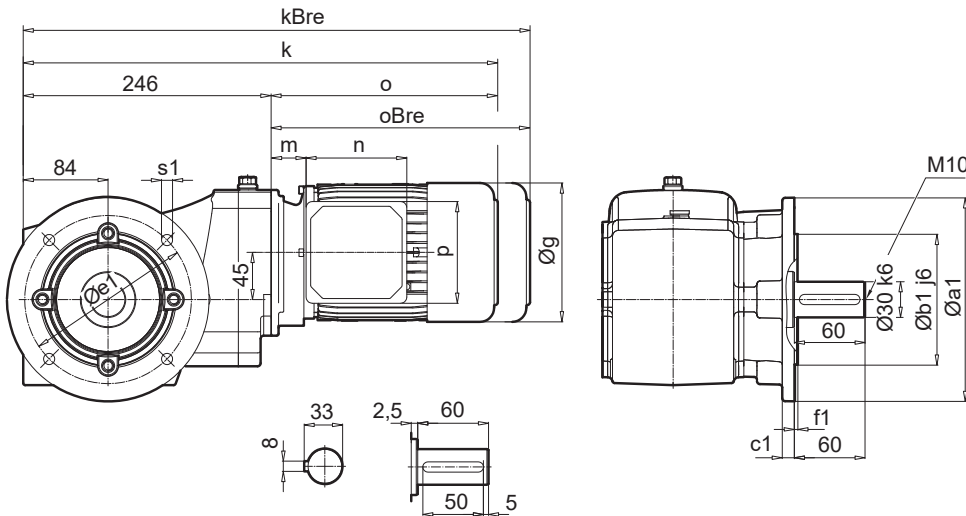
SK 93372.1 V



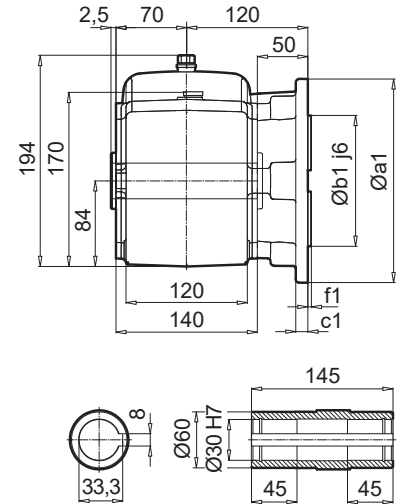
SK 93372.1 A



SK 93372.1VF



SK 93372.1 AF



a1	b1	c1	e1	f1	s1
160	110	12	130	3,5	4 x 9,0
200	130	12	165	3,5	4 x 11,0

± ⇒ A60	63 SP/LP	71 SP/LP	80 SP/LP	90 SP/LP	100 LP/AP	112 MP
g	130	145	165	183	201	228
g1 / g1Bre	115 / 123	124 / 132	142 / 142	147 / 147	169 / 173	179 / 182
k / kBre	442 / 498	482 / 540	507 / 571	548 / 623	578 / 669	626 / 720
o / oBre	196 / 252	236 / 294	261 / 325	302 / 377	332 / 423	380 / 473
m / mBre	16 / 23	42 / 49	47 / 51	52 / 56	58 / 62	64 / 67
n / nBre	100 / 134	100 / 134	114 / 153	114 / 153	114 / 153	114 / 153
p / pBre	100 / 89	100 / 89	114 / 108	114 / 108	114 / 108	114 / 108



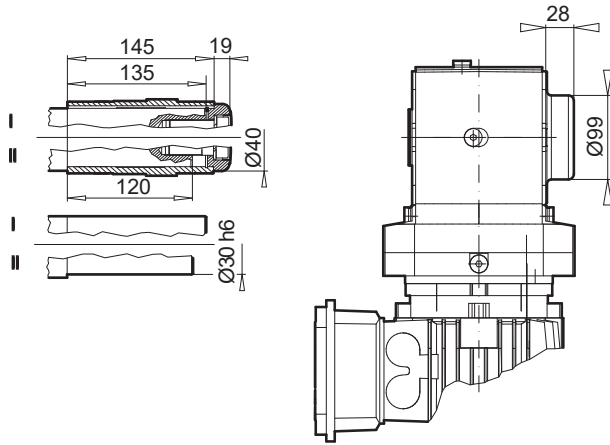
W ⇒ E139
IEC, NEMA ⇒ E147



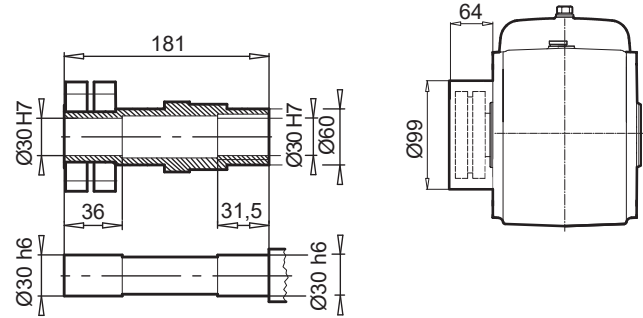
NORDBLOC.1 Helical bevel gear units



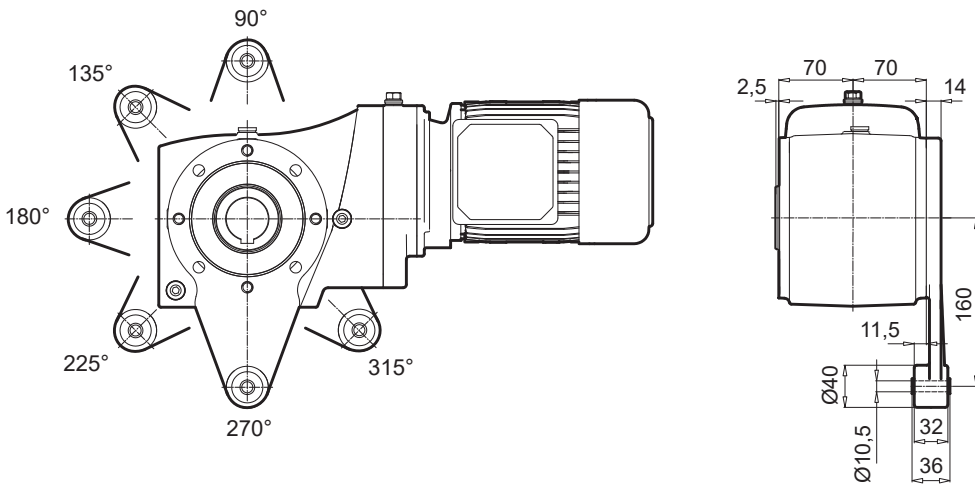
SK 93372.1 ABH (AFBH)



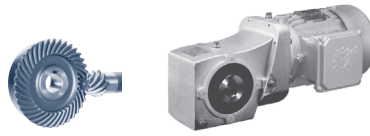
SK 93372.1 ASH (AFSH)



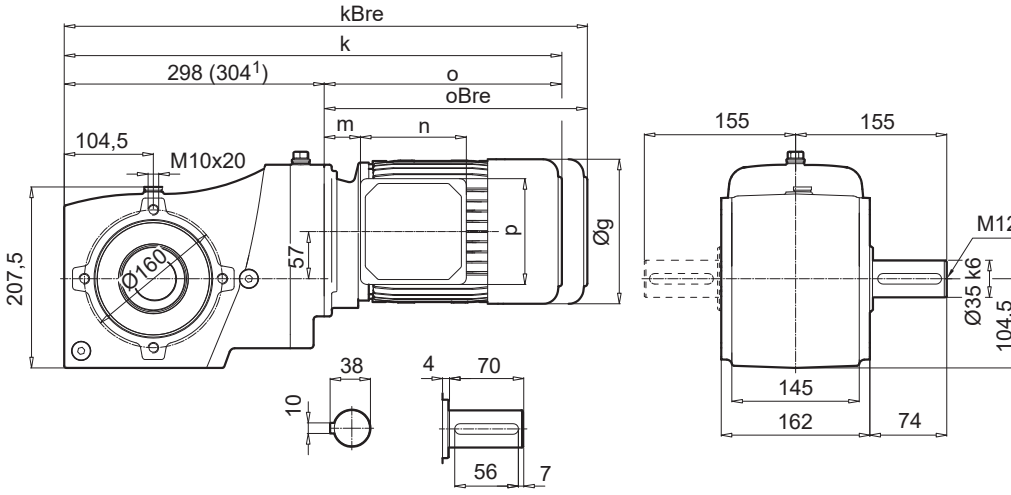
SK 93372.1 AD



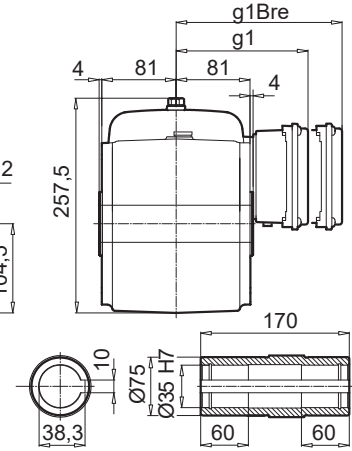
SK 93672.1



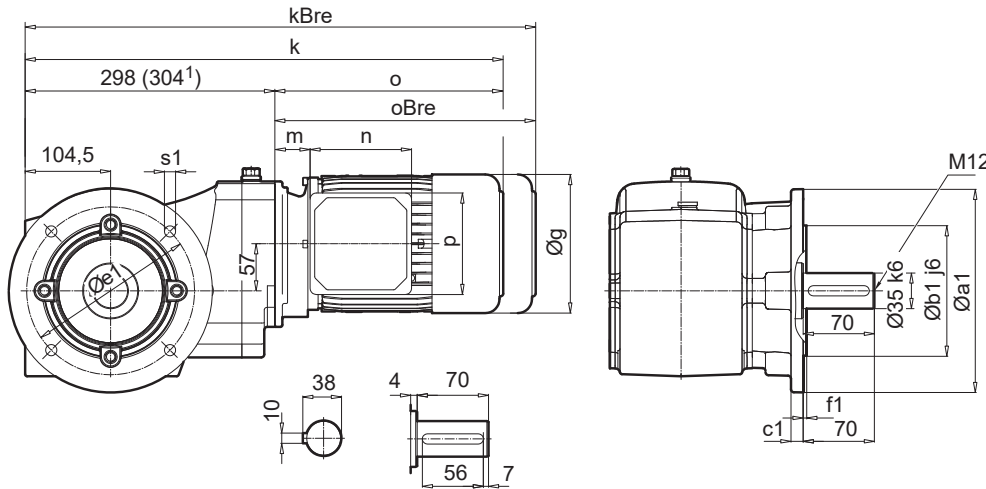
SK 93672.1 V



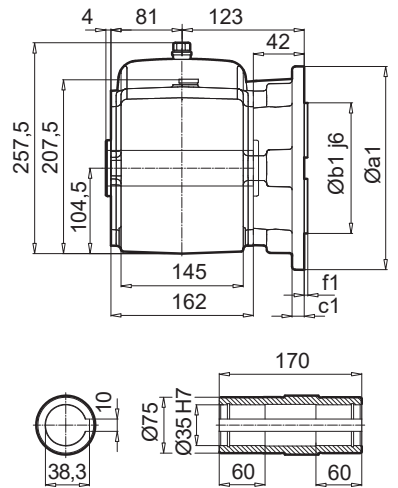
SK 93672.1 A



SK 93672.1AF



SK 93672.1 VF



a1	b1	c1	e1	f1	s1
160	110	10	130	3,5	4 x 9,0
200	130	12	165	3,5	4 x 11,4

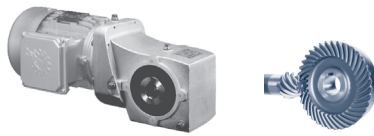
± ⇒ A60	71 SP/LP	80 SP/LP	90 SP/LP	100 LP/AP	112 MP	132 SP/MP 1)
g	145	165	183	201	228	266
g1 / g1Bre	124 / 132	142 / 142	147 / 147	169 / 173	179 / 182	204 / 201
k / kBre	534 / 592	559 / 623	600 / 675	630 / 721	678 / 771	733 / 840
o / oBre	236 / 294	261 / 325	302 / 377	332 / 423	380 / 473	435 / 542
m / mBre	42 / 49	47 / 51	52 / 56	58 / 62	64 / 67	71 / 62
n / nBre	100 / 134	114 / 153	114 / 153	114 / 153	114 / 153	122 / 185
p / pBre	100 / 89	114 / 108	114 / 108	114 / 108	114 / 108	122 / 139



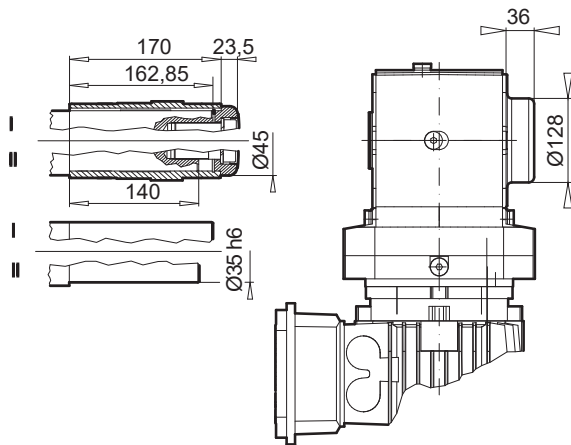
W ⇒ E139
IEC, NEMA ⇒ E147



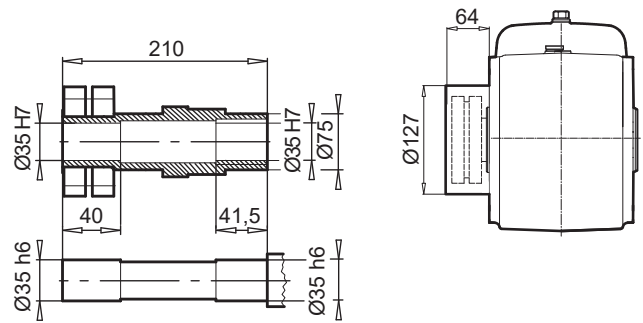
NORDBLOC.1 Helical bevel gear units



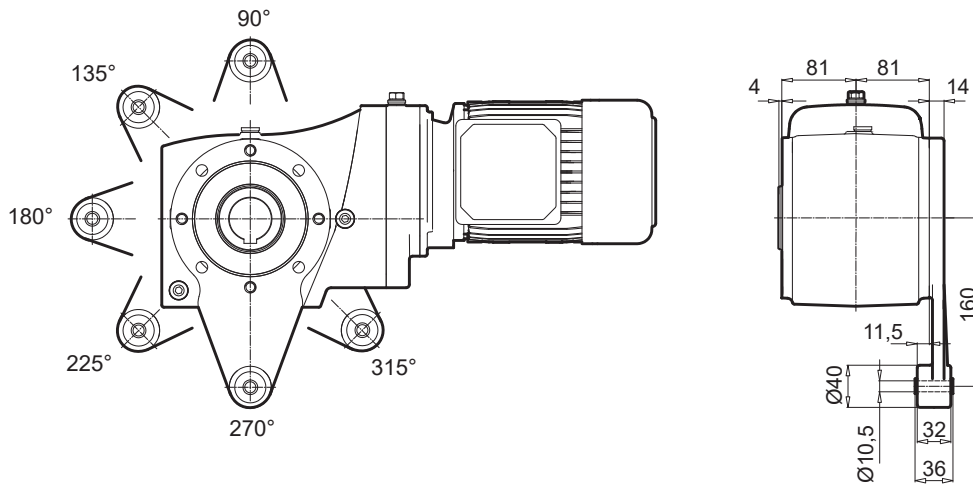
SK 93672.1 ABH (AFBH)



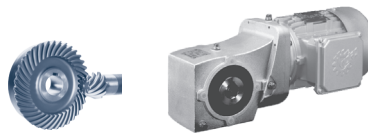
SK 93672.1 ASH (AFSH)



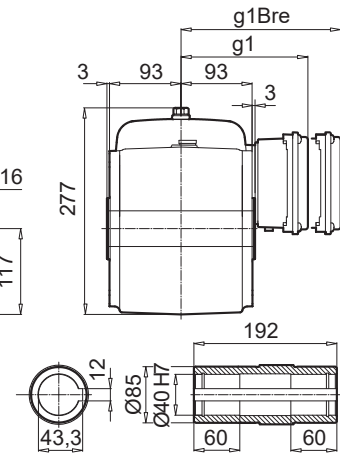
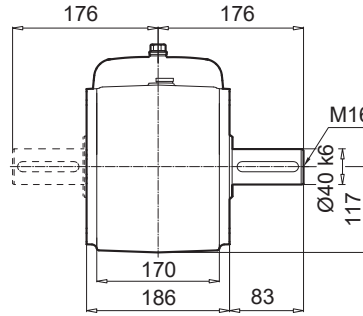
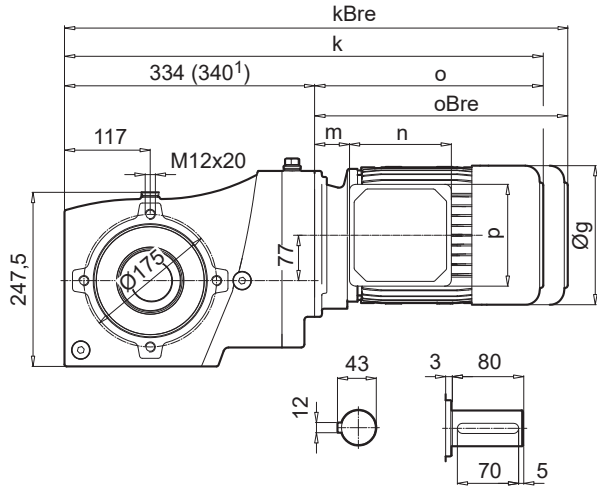
SK 93672.1 AD



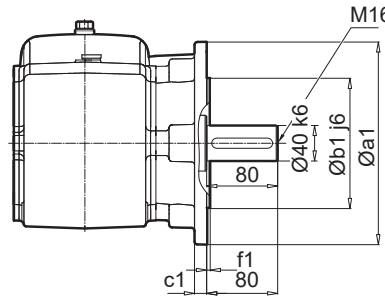
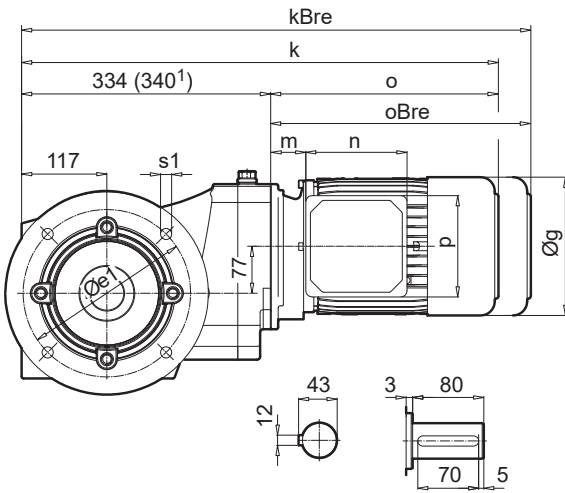
SK 93772.1



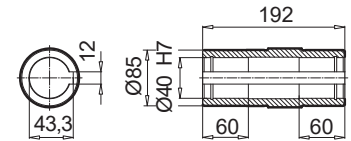
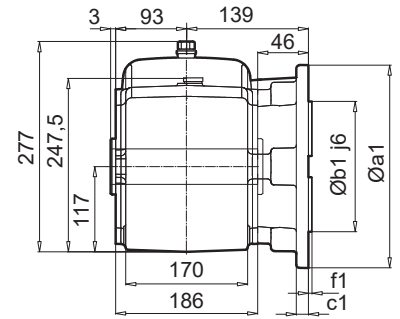
SK 93772.1 V



SK 93772.1VF



SK 93772.1 AF



a1	b1	c1	e1	f1	s1
250	180	15	215	4,0	4 x 13,5

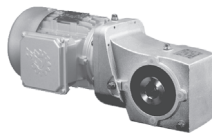
NORDBLOC.1 Helical bevel gear units

± ⇒ A60	71 SP/LP	80 SP/LP	90 SP/LP	100 LP/AP	112 MP	132 SP/MP 1)
g	145	165	183	201	228	266
g1 / g1Bre	124 / 132	142 / 142	147 / 147	169 / 173	179 / 182	204 / 201
k / kBre	570 / 628	595 / 659	636 / 711	666 / 757	714 / 807	775 / 882
o / oBre	236 / 294	261 / 325	302 / 377	332 / 423	380 / 473	435 / 542
m / mBre	42 / 49	47 / 51	52 / 56	58 / 62	64 / 67	71 / 62
n / nBre	100 / 134	114 / 153	114 / 153	114 / 153	114 / 153	122 / 185
p / pBre	100 / 89	114 / 108	114 / 108	114 / 108	114 / 108	122 / 139

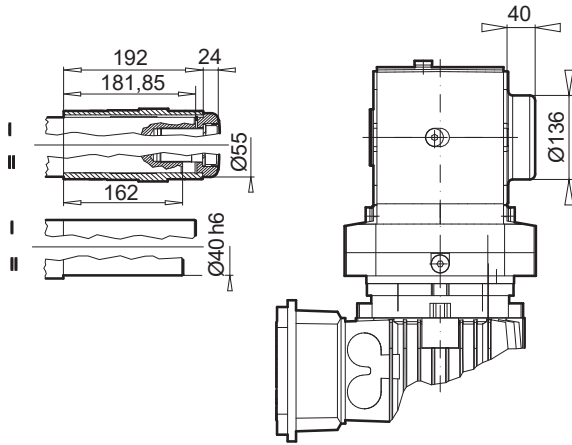


W ⇒ E139
IEC, NEMA ⇒ E147

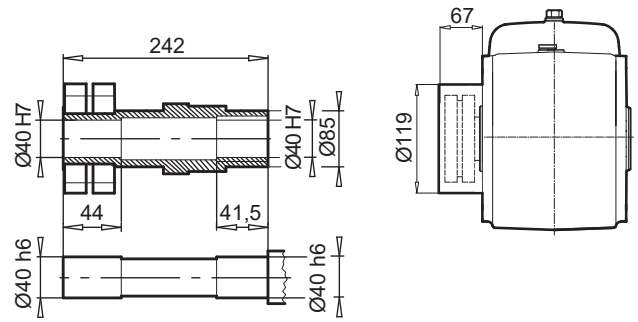




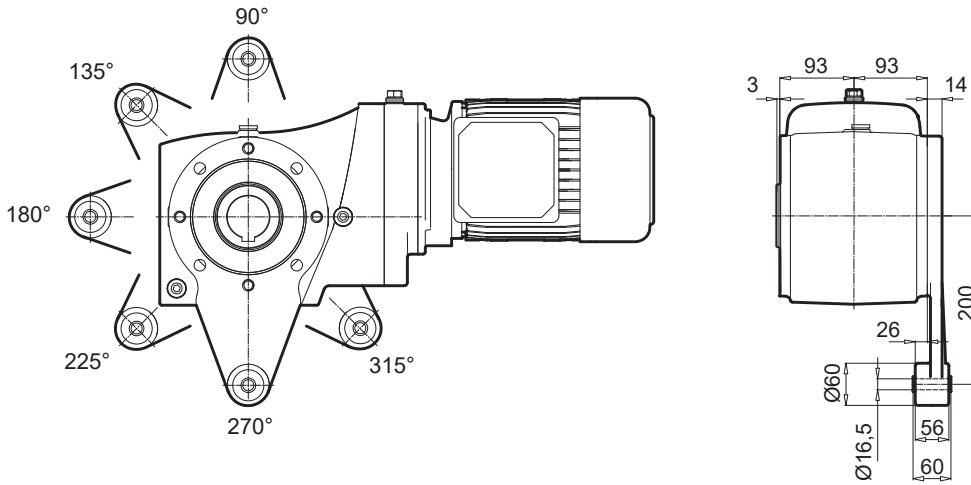
SK 93772.1 ABH (AFBH)



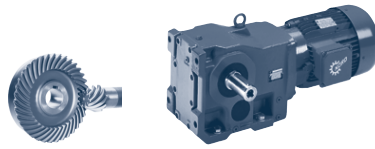
SK 93772.1 ASH (AFSH)



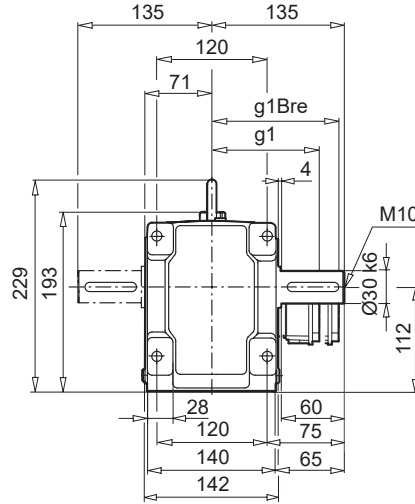
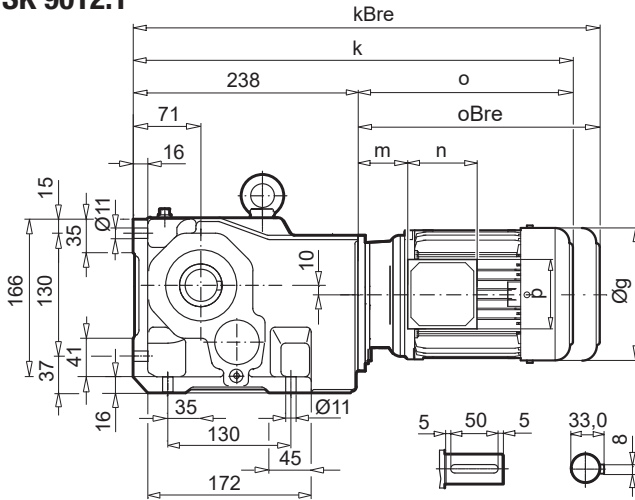
SK 93772.1 AD



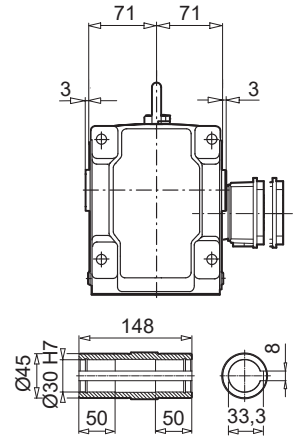
SK 9012.1



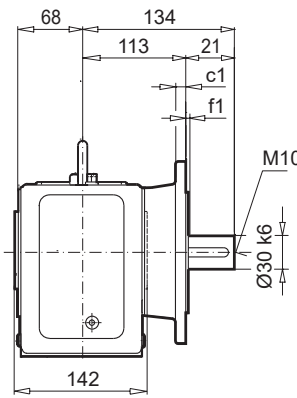
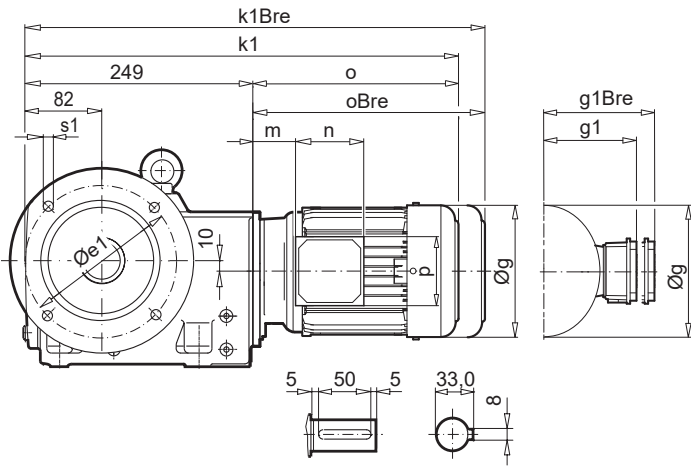
SK 9012.1



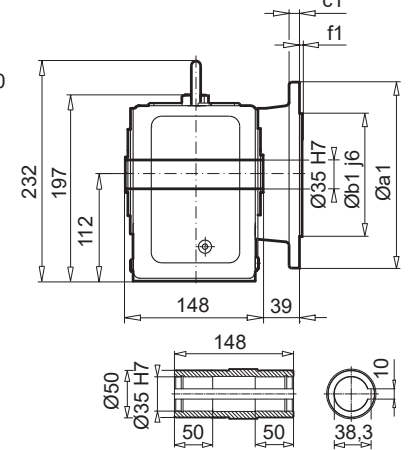
SK 9012.1AX



SK 9012.1VF

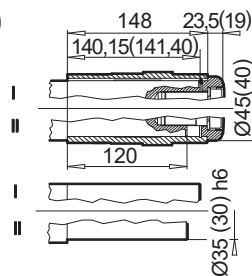


SK 9012.1AF



a1	b1	c1	e1	f1	s1
200	130	12	165	3,5	4 x 11

SK 9012.1AFB (AXB)



± ↗ A60	63 SP/LP	71 SP/LP	80 SP/LP	90 SP/LP	100 LP/AP	112 MP
g	130	145	165	183	201	228
g1 / g1Bre	115 / 123	124 / 132	142 / 142	147 / 147	169 / 173	179 / 182
k / kBre	434 / 490	474 / 532	499 / 563	540 / 615	570 / 661	618 / 711
k1 / k1Bre	445 / 501	485 / 543	510 / 574	551 / 626	581 / 672	629 / 722
o / oBre	196 / 252	236 / 294	261 / 325	302 / 377	332 / 423	380 / 473
m / m1Bre	16 / 22	42 / 48	47 / 50	52 / 56	58 / 62	64 / 67
n / nBre	100 / 134	100 / 134	114 / 153	114 / 153	114 / 153	114 / 153
p / p1Bre	100 / 89	100 / 89	114 / 108	114 / 108	114 / 108	114 / 108

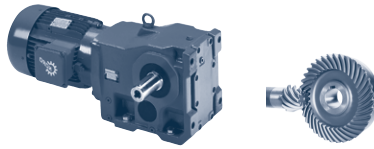


W ↗ E140

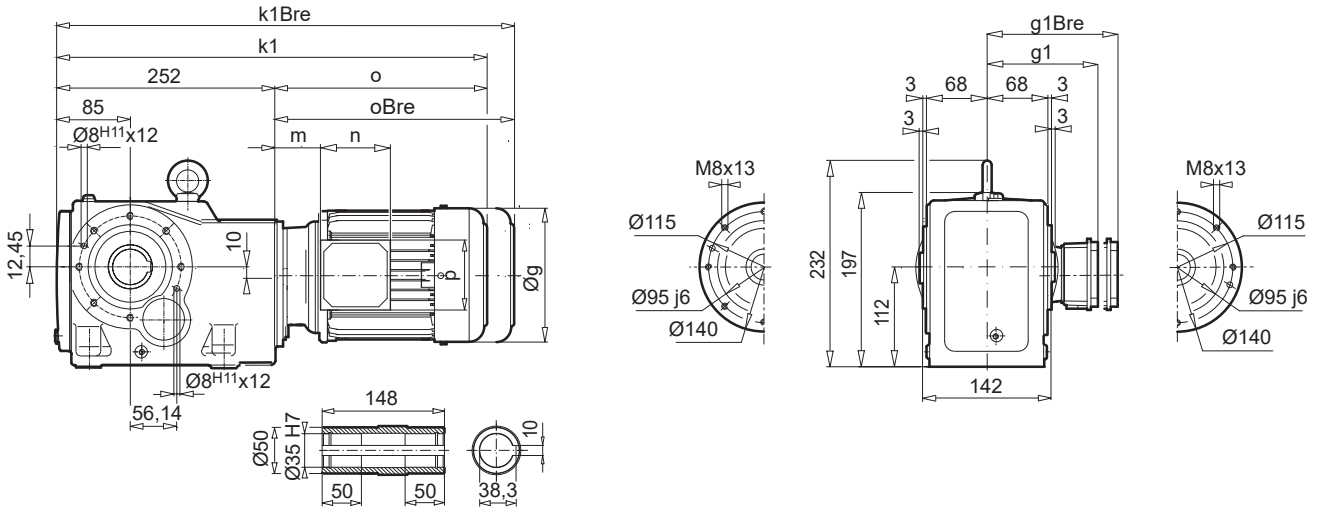


IEC, NEMA
↗ E148

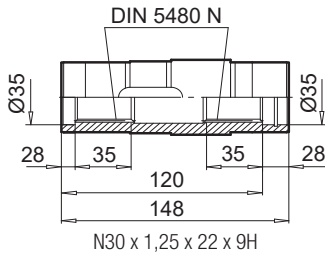
UNICASE™
Helical bevel gear units



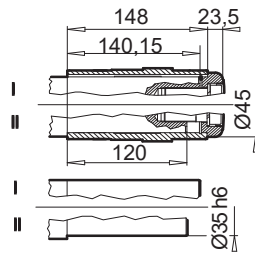
SK 9012.1AZ



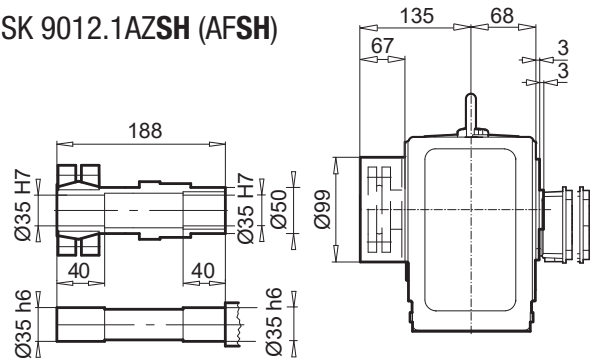
SK 9012.1AZEA



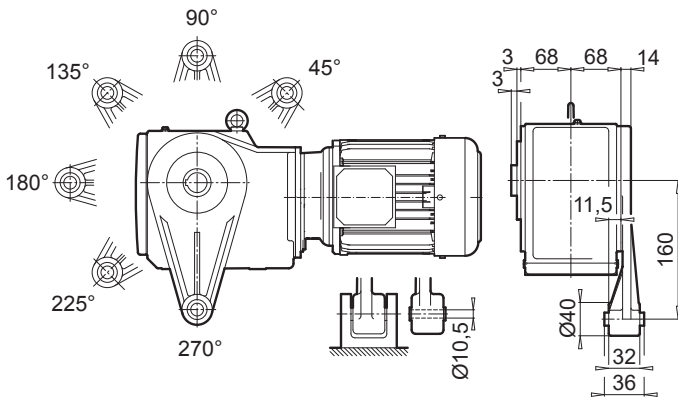
SK 9012.1AZB (AFB)



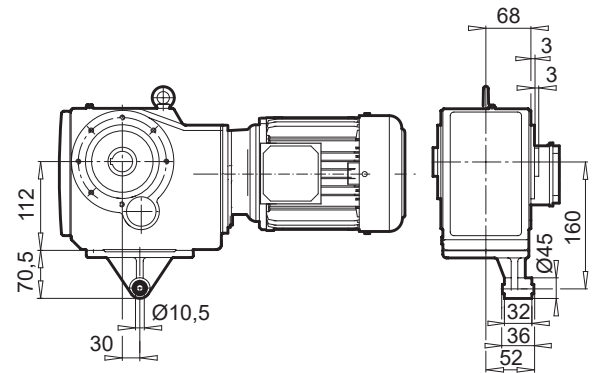
SK 9012.1AZSH (AFSH)



SK 9012.1AZD



SK 9012.1AZK



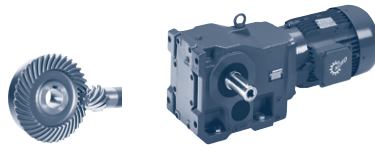
UNICASE™
Helical bevel gear units

± ↕ A60	63 SP/LP	71 SP/LP	80 SP/LP	90 LP/LP	100 LP/AP	112 MP
g	130	145	165	183	201	228
g1 / g1Bre	115 / 123	124 / 132	142 / 142	147 / 147	169 / 173	179 / 182
k1 / k1Bre	448 / 504	488 / 546	513 / 577	554 / 629	584 / 675	632 / 725
o / oBre	196 / 252	236 / 294	261 / 325	302 / 377	332 / 423	380 / 473
m / mBre	16 / 22	42 / 48	47 / 50	52 / 56	58 / 62	64 / 67
n / nBre	100 / 134	100 / 134	114 / 153	114 / 153	114 / 153	114 / 153
p / pBre	100 / 89	100 / 89	114 / 108	114 / 108	114 / 108	114 / 108

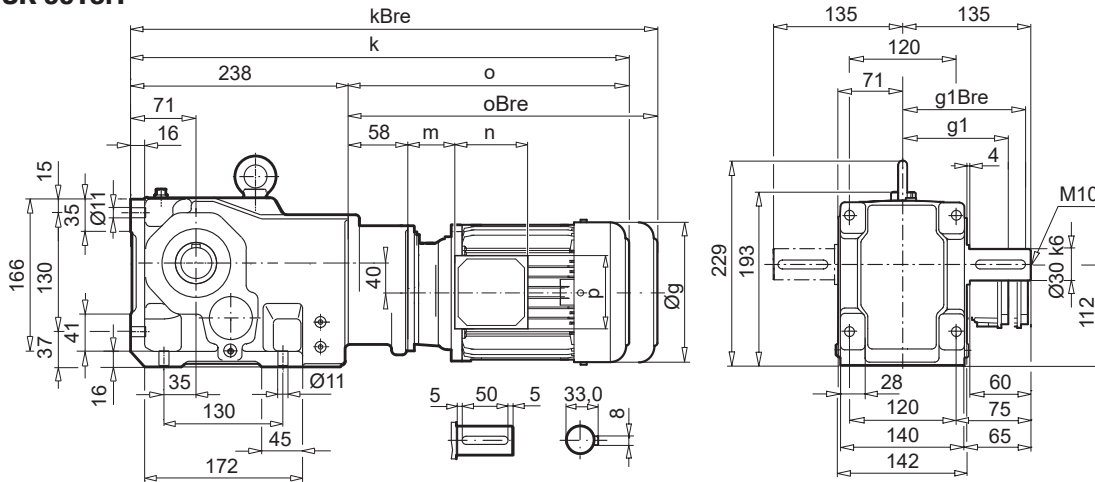


W ↔ E140
IEC, NEMA
↔ E148

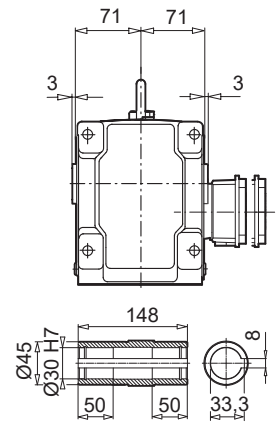
SK 9013.1



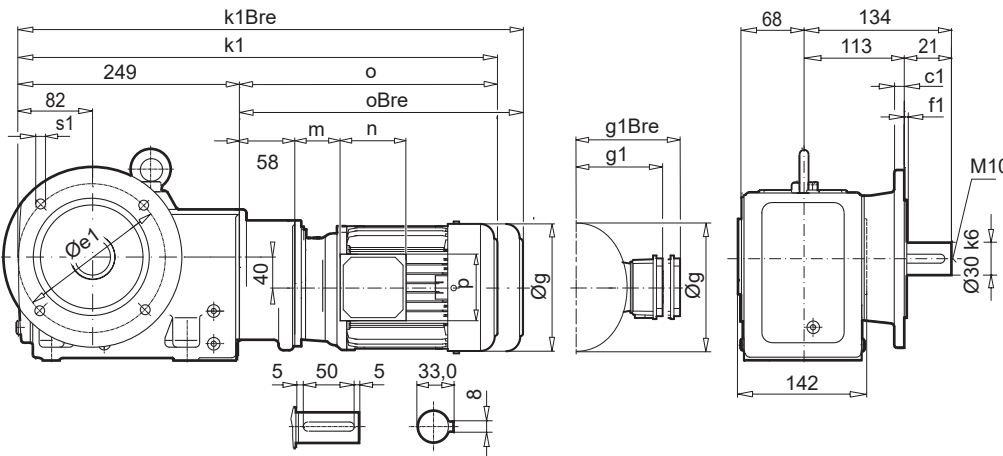
SK 9013.1



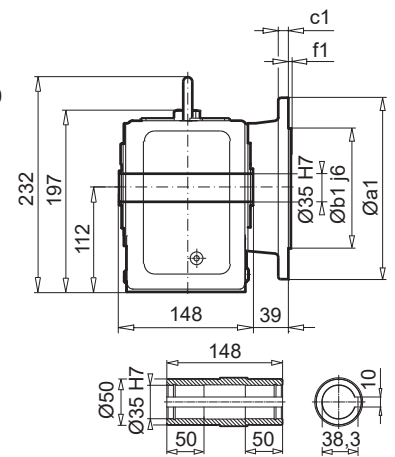
SK 9013.1AX



SK 9013.1VF

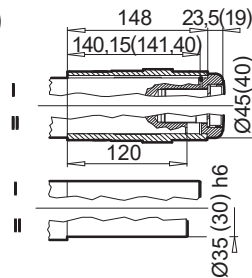


SK 9013.1AF

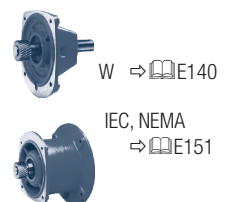


a1	b1	c1	e1	f1	s1
200	130	12	165	3,5	4 x 11

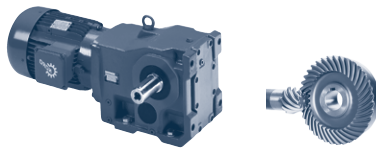
SK 9013.1AFB (AXB)



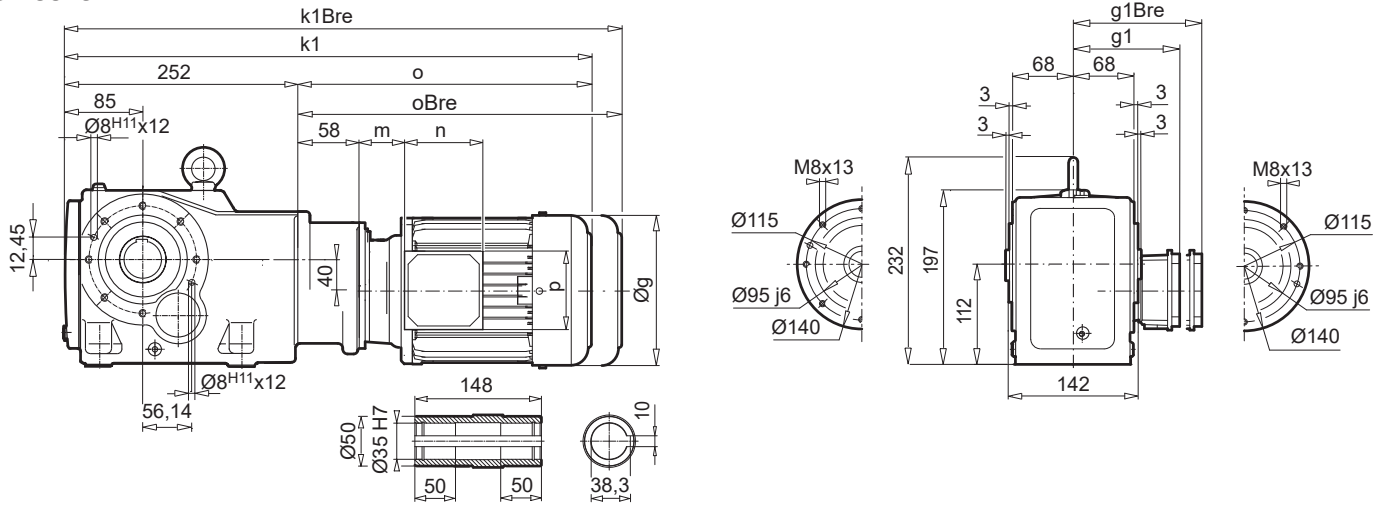
± ⇄ A60	63 SP/LP	71 SP/LP	
g	130	145	
g1 / g1Bre	115 / 123	124 / 132	
k / kBre	492 / 548	532 / 590	
k1 / k1Bre	503 / 559	543 / 601	
o / oBre	196 / 252	236 / 294	
m / m1Bre	16 / 22	42 / 48	
n / nBre	100 / 134	100 / 134	
p / p1Bre	100 / 89	100 / 89	



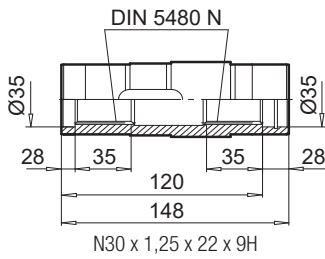
UNICASE™
Helical bevel gear units



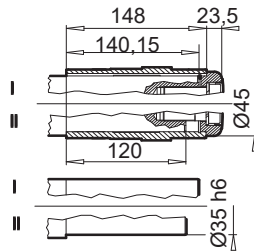
SK 9013.1AZ



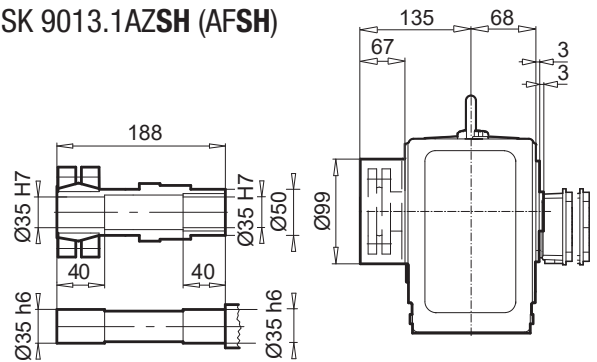
SK 9013.1AZEA



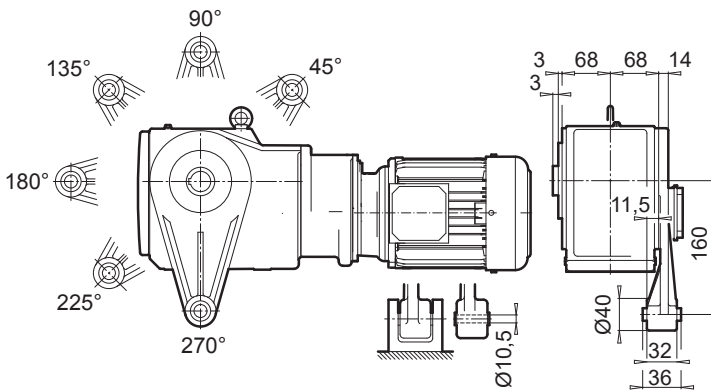
SK 9013.1AZB (AFB)



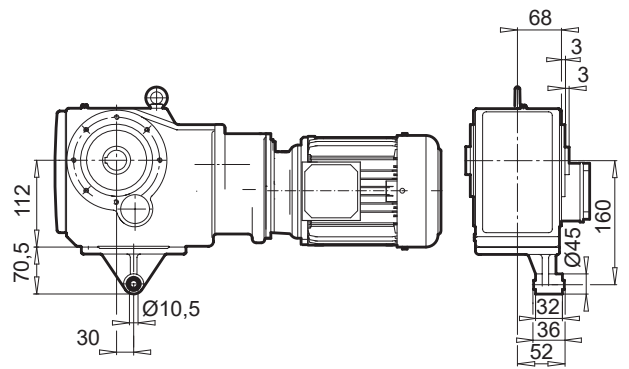
SK 9013.1AZSH (AFSH)



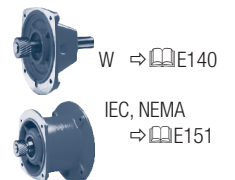
SK 9013.1AZD



SK 9013.1AZK

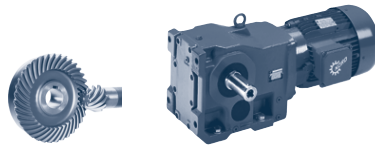


± ⇒ A60	63 SP/LP	71 SP/LP
g	130	145
g1 / g1Bre	115 / 123	124 / 132
k1 / k1Bre	506 / 562	546 / 604
o / oBre	196 / 252	236 / 294
m / m1Bre	16 / 22	42 / 48
n / nBre	100 / 134	100 / 134
p / p1Bre	100 / 89	100 / 89

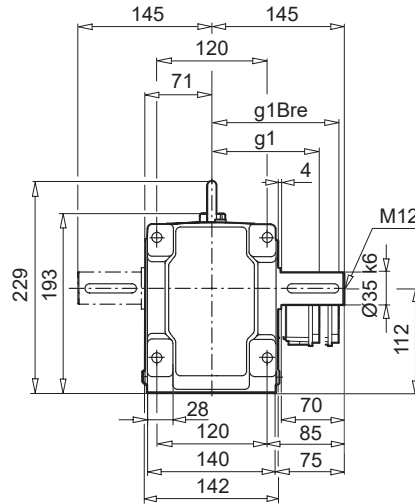
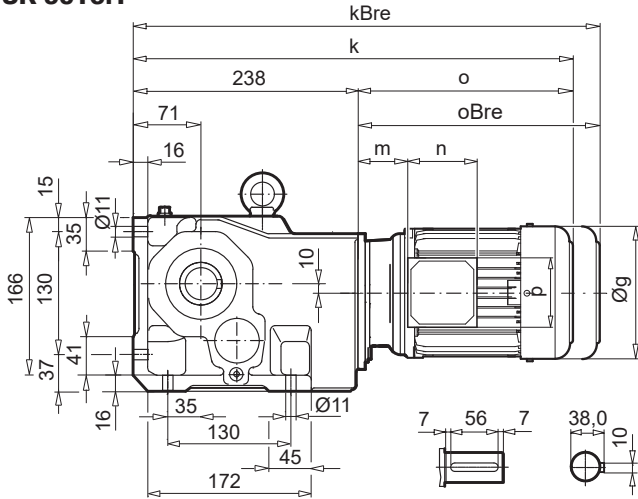


UNICASE™
Helical bevel gear units

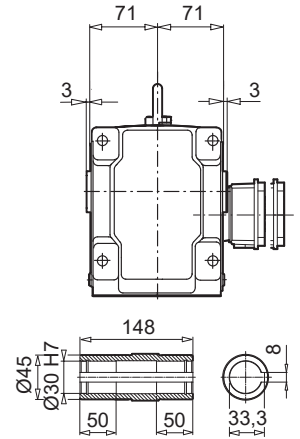
SK 9016.1



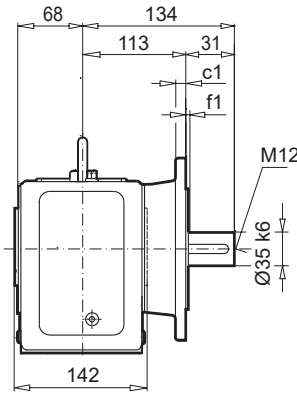
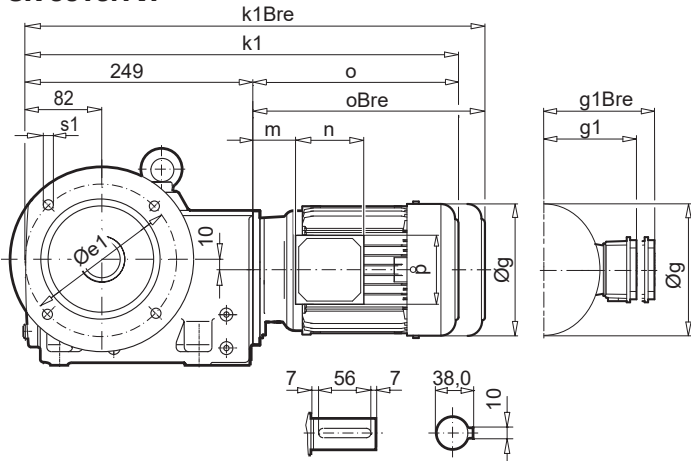
SK 9016.1



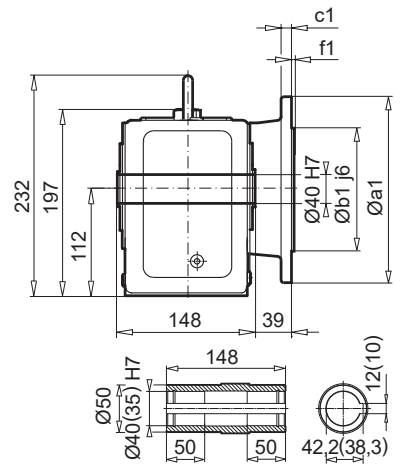
SK 9016.1AX



SK 9016.1VF

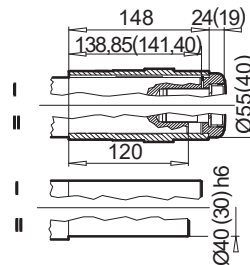


SK 9016.1AF



a1	b1	c1	e1	f1	s1
200	130	12	165	3,5	4 x 11

SK 9016.1AFB (AXB)



± ⇄ A60	63 SP/LP	71 SP/LP	80 SP/LP	90 SP/LP	100 LP/AP	112 MP
g	130	145	165	183	201	228
g1 / g1Bre	115 / 123	124 / 132	142 / 142	147 / 147	169 / 173	179 / 182
k / kBre	434 / 490	474 / 532	499 / 563	540 / 615	570 / 661	618 / 711
k1 / k1Bre	445 / 501	485 / 543	510 / 574	551 / 626	581 / 672	629 / 722
o / oBre	196 / 252	236 / 294	261 / 325	302 / 377	332 / 423	380 / 473
m / m1Bre	16 / 22	42 / 48	47 / 50	52 / 56	58 / 62	64 / 67
n / nBre	100 / 134	100 / 134	114 / 153	114 / 153	114 / 153	114 / 153
p / p1Bre	100 / 89	100 / 89	114 / 108	114 / 108	114 / 108	114 / 108

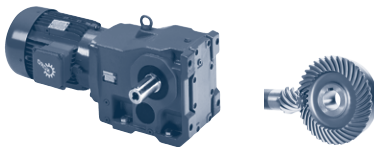


W ⇄ E140

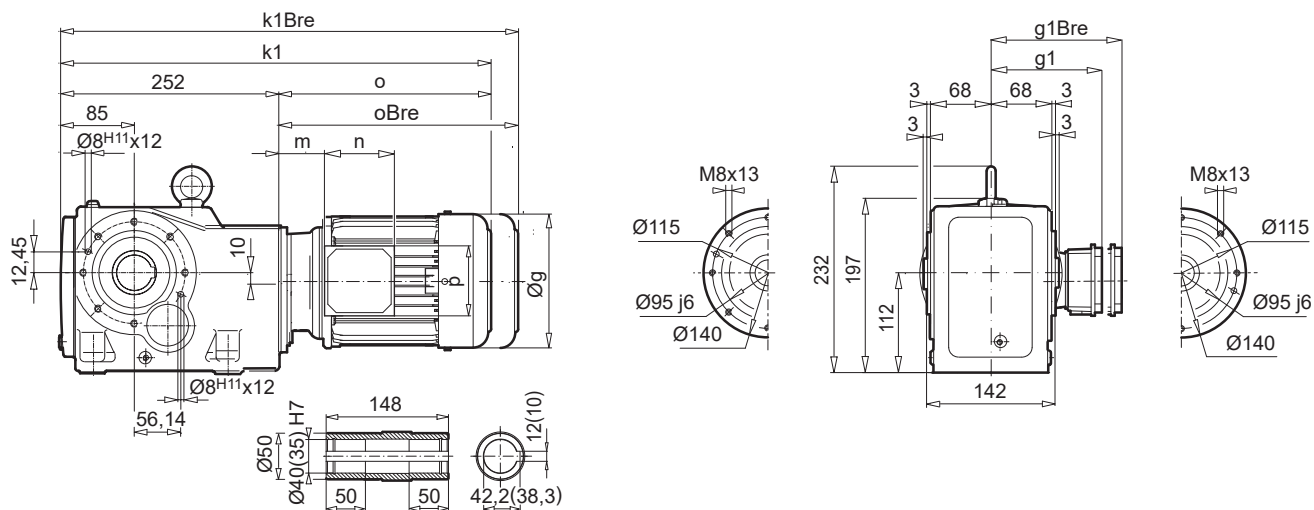


IEC, NEMA
⇄ E148

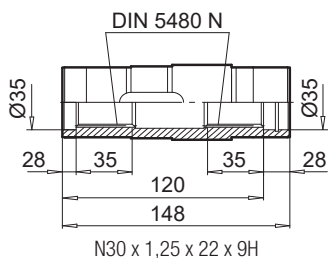
UNICASE™
Helical bevel gear units



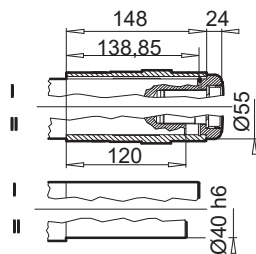
SK 9016.1AZ



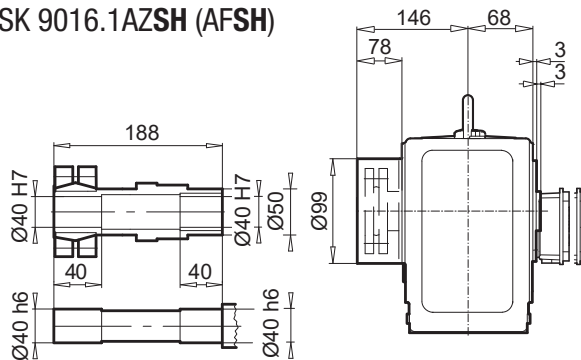
SK 9016.1AZE



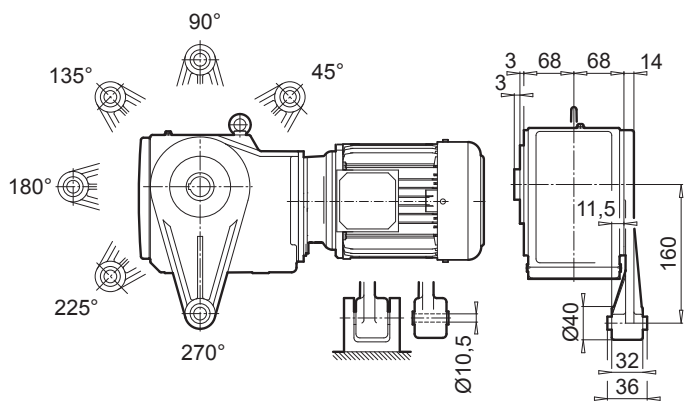
SK 9016.1AZB (AFB)



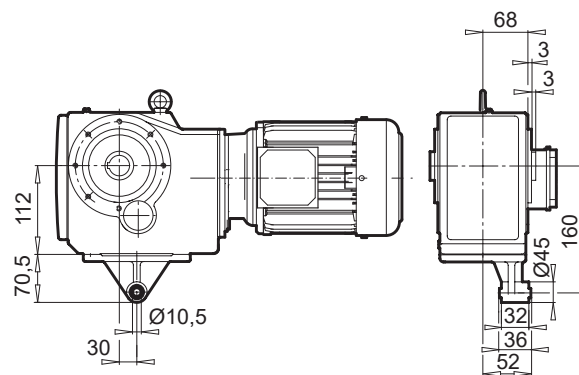
SK 9016.1AZSH (AFSH)



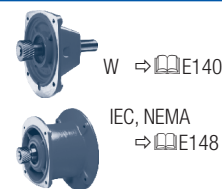
SK 9016.1AZD



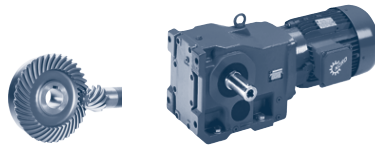
SK 9016.1AZK



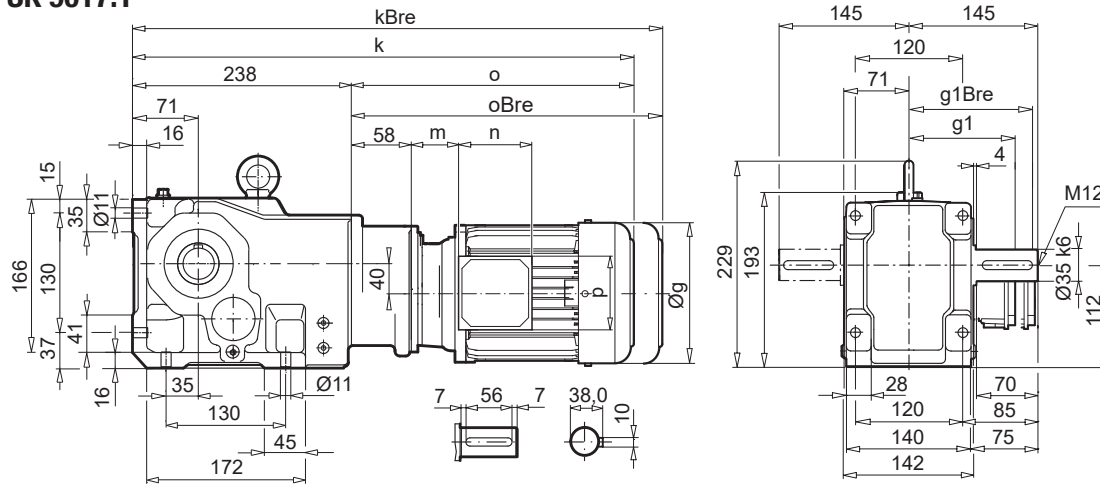
± ⇒ A60	63 SP/LP	71 SP/LP	80 SP/LP	90 SP/LP	100 LP/AP	112 MP	
g	130	145	165	183	201	228	
g1 / g1Bre	115 / 123	124 / 132	142 / 142	147 / 147	169 / 173	179 / 182	
k1 / k1Bre	448 / 504	488 / 546	513 / 577	554 / 629	584 / 675	632 / 725	
o / oBre	196 / 252	236 / 294	261 / 325	302 / 377	332 / 423	380 / 473	
m / m1Bre	16 / 22	42 / 48	47 / 50	52 / 56	58 / 62	64 / 67	
n / nBre	100 / 134	100 / 134	114 / 153	114 / 153	114 / 153	114 / 153	
p / p1Bre	100 / 89	100 / 89	114 / 108	114 / 108	114 / 108	114 / 108	



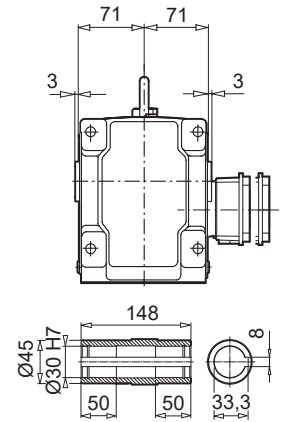
SK 9017.1



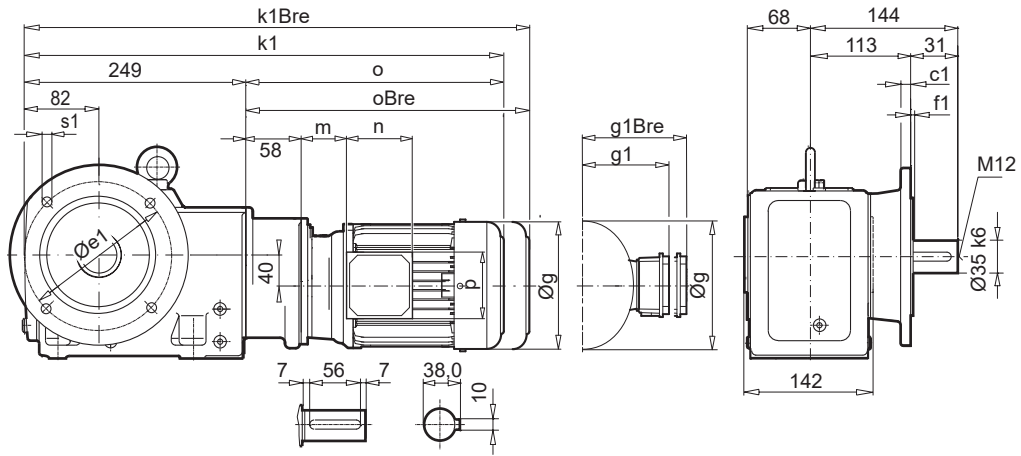
SK 9017.1



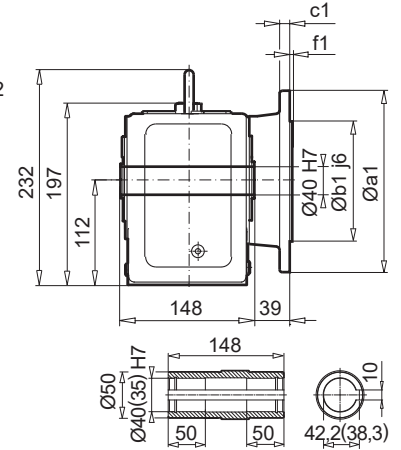
SK 9017.1AX



SK 9017.1VF

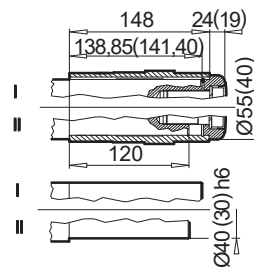


SK 9017.1AF

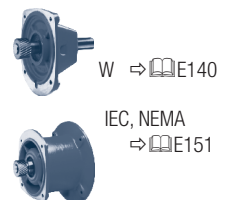


a1	b1	c1	e1	f1	s1
200	130	12	165	3,5	4 x 11

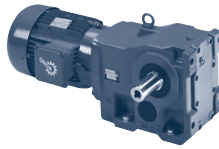
SK 9017.1AFB (AXB)



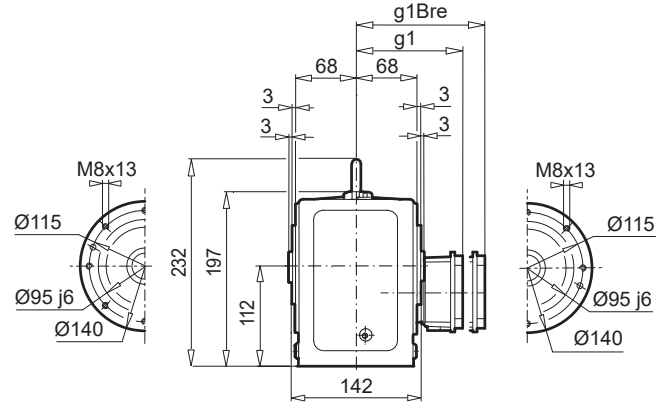
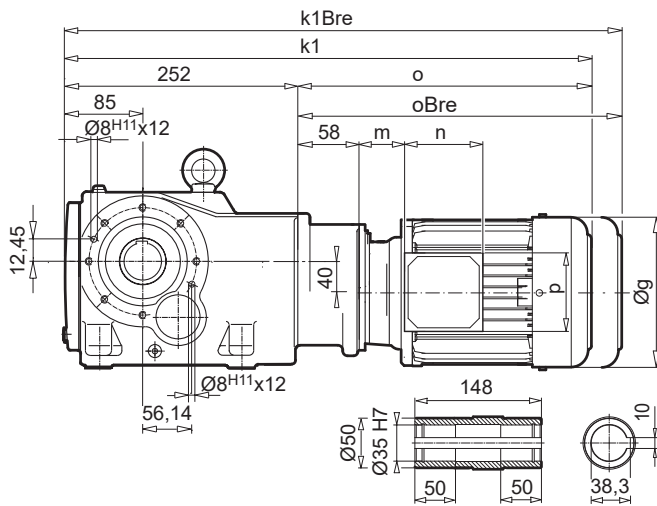
± ⇔ A60	63 SP/LP	71 SP/LP	
g	130	145	
g1 / g1Bre	115 / 123	124 / 132	
k / kBre	492 / 548	532 / 590	
k1 / k1Bre	503 / 559	543 / 601	
o / oBre	196 / 252	236 / 294	
m / m1Bre	16 / 22	42 / 48	
n / nBre	100 / 134	100 / 134	
p / p1Bre	100 / 89	100 / 89	



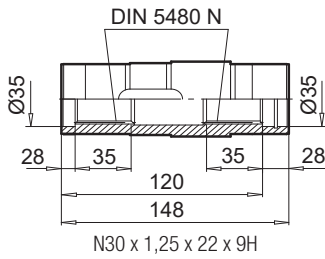
UNICASE™
Helical bevel gear units



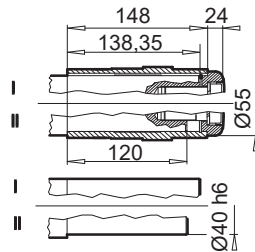
SK 9017.1AZ



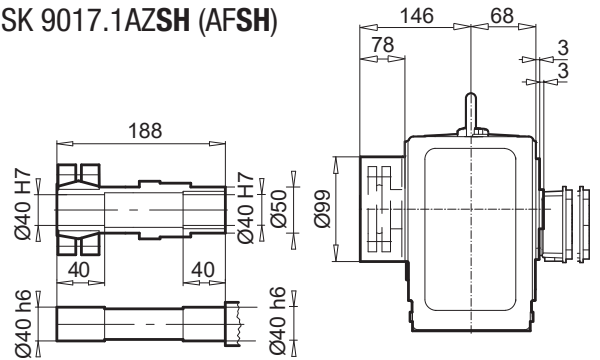
SK 9017.1AZEA



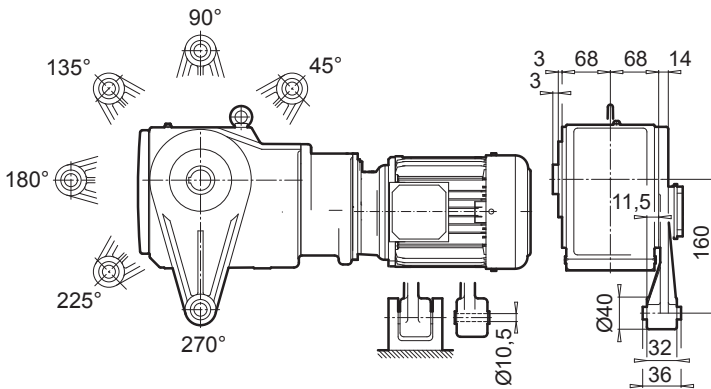
SK 9017.1AZB (AFB)



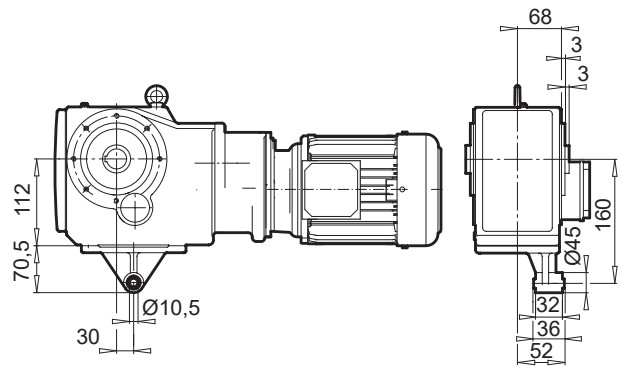
SK 9017.1AZSH (AFSH)



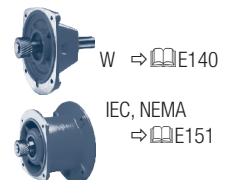
SK 9017.1AZD



SK 9017.1AZK

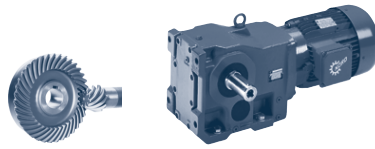


± ⇒ A60	63 SP/LP	71 SP/LP
g	130	145
g1 / g1Bre	115 / 123	124 / 132
k1 / k1Bre	506 / 562	546 / 604
o / oBre	196 / 252	236 / 294
m / m1Bre	16 / 22	42 / 48
n / nBre	100 / 134	100 / 134
p / p1Bre	100 / 89	100 / 89

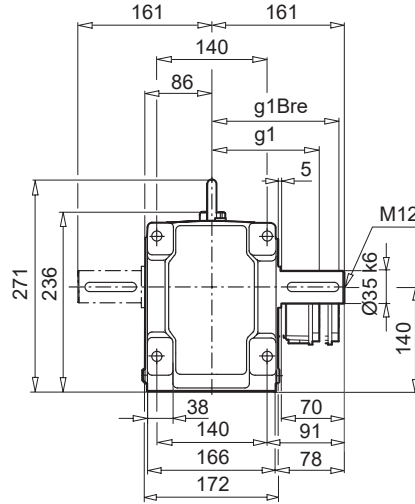
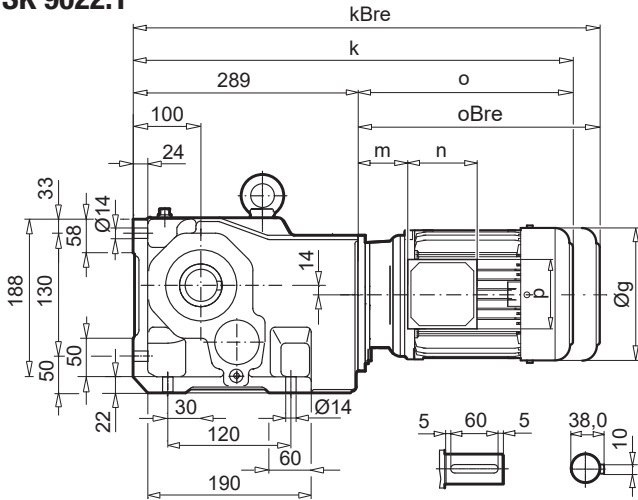


UNICASE™
Helical bevel gear units

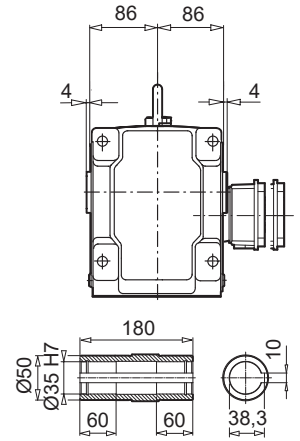
SK 9022.1



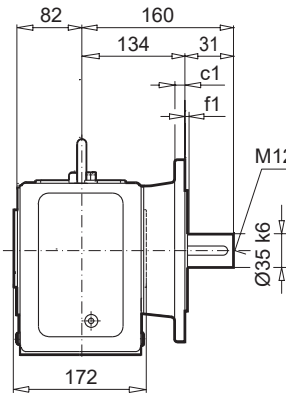
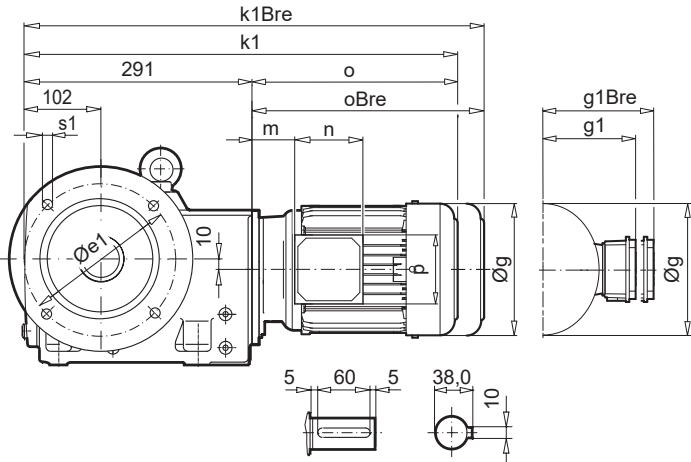
SK 9022.1



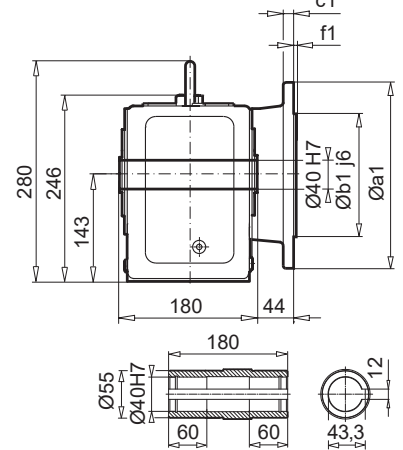
SK 9022.1AX



SK 9022.1VF

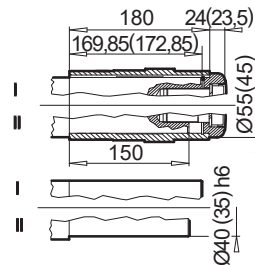


SK 9022.1AF

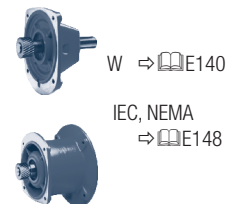


a1	b1	c1	e1	f1	s1
250	180	16	215	4,0	4 x 13,5

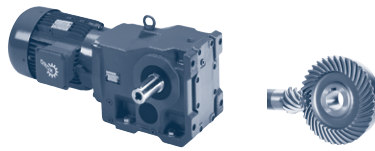
SK 9022.1AFB (AXB)



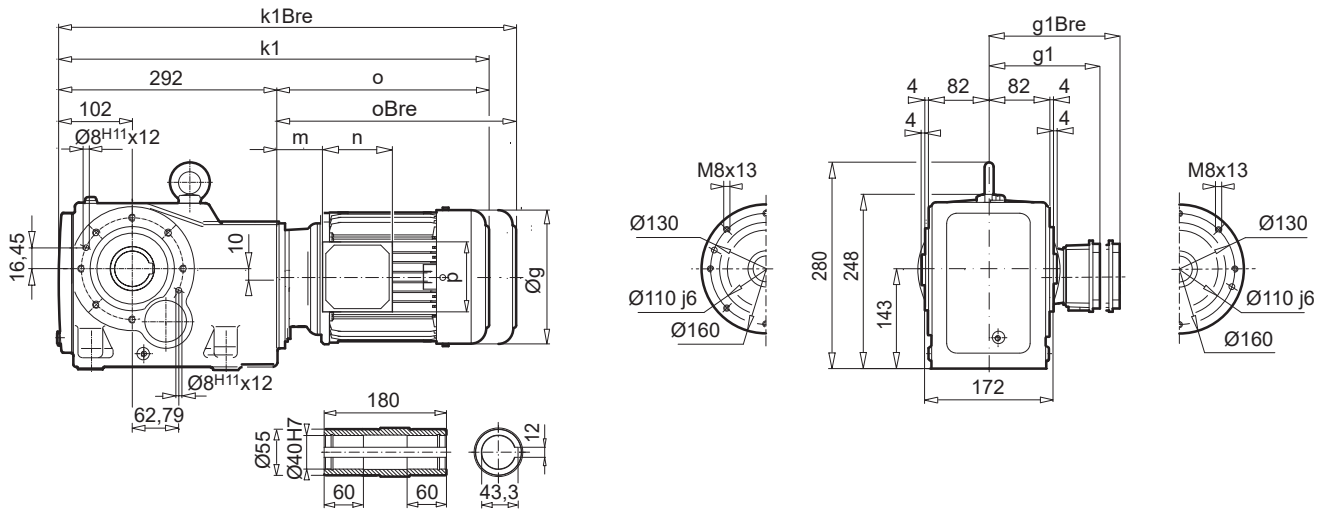
± → A60	63 SP/LP	71 SP/LP	80 SP/LP	90 SP/LP	100 LP/AP	112 MP
g	130	145	165	183	201	228
g1 / g1Bre	115 / 123	124 / 132	142 / 142	147 / 147	169 / 173	179 / 182
k / kBre	485 / 543	526 / 584	551 / 615	592 / 667	622 / 713	670 / 763
k1 / k1Bre	487 / 585	528 / 586	553 / 617	594 / 669	624 / 715	672 / 765
o / oBre	196 / 252	236 / 294	261 / 325	302 / 377	332 / 423	380 / 473
m / m1Bre	16 / 22	42 / 48	47 / 50	52 / 56	58 / 62	64 / 67
n / nBre	100 / 134	100 / 134	114 / 153	114 / 153	114 / 153	114 / 153
p / p1Bre	100 / 89	100 / 89	114 / 108	114 / 108	114 / 108	114 / 108



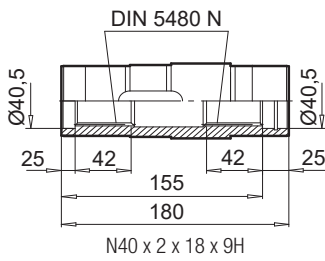
UNICASE™
Helical bevel gear units



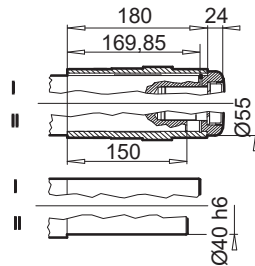
SK 9022.1AZ



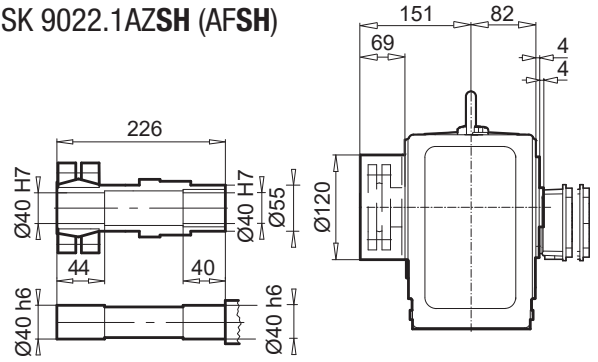
SK 9022.1AZEA



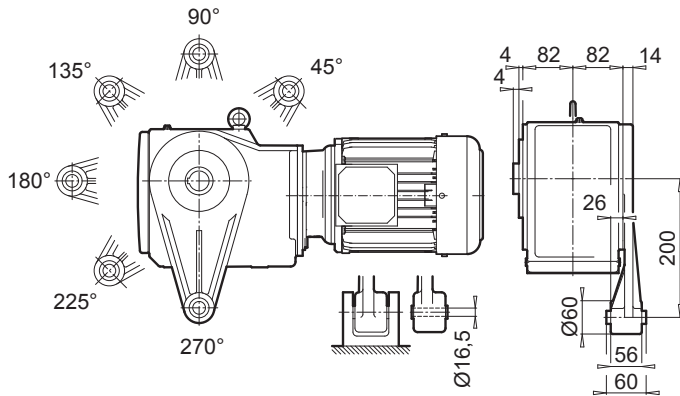
SK 9022.1AZB (AFB)



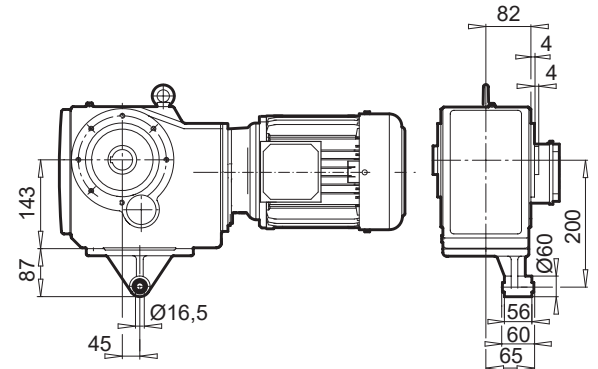
SK 9022.1AZSH (AFSH)



SK 9022.1AZD

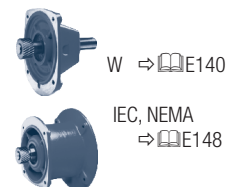


SK 9022.1AZK

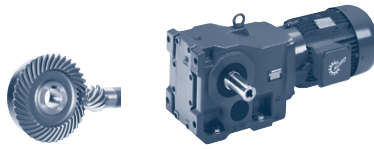


UNICASE™
Helical bevel gear units

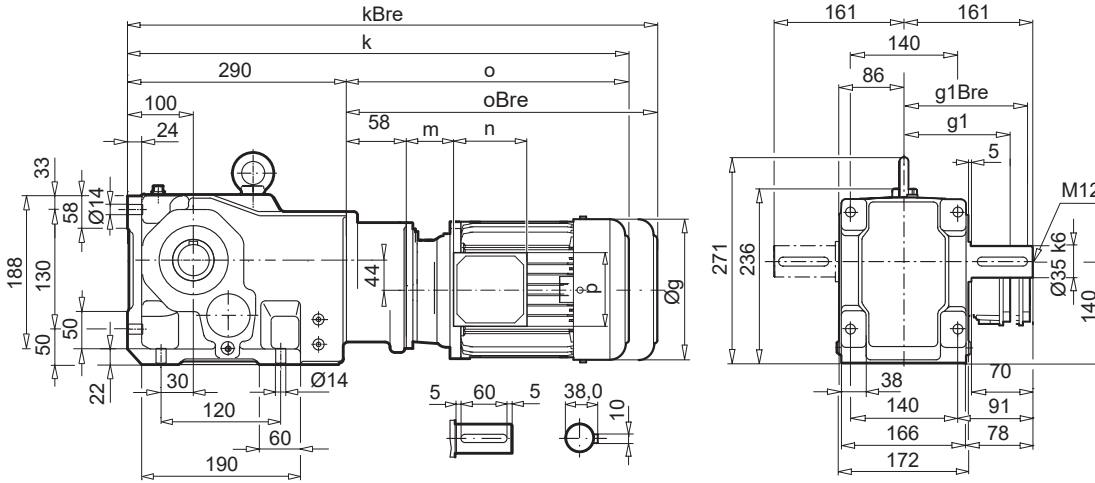
$\pm \Rightarrow$ A60	63 SP/LP	71 SP/LP	80 SP/LP	90 SP/LP	100 LP/AP	112 MP
g	130	145	165	183	201	228
g1 / g1Bre	115 / 123	124 / 132	142 / 142	147 / 147	169 / 173	179 / 182
k1 / k1Bre	487 / 585	528 / 586	553 / 617	594 / 669	624 / 715	672 / 765
o / oBre	196 / 252	236 / 294	261 / 325	302 / 377	332 / 423	380 / 473
m / m1Bre	16 / 22	42 / 48	47 / 50	52 / 56	58 / 62	64 / 67
n / nBre	100 / 134	100 / 134	114 / 153	114 / 153	114 / 153	114 / 153
p / p1Bre	100 / 89	100 / 89	114 / 108	114 / 108	114 / 108	114 / 108



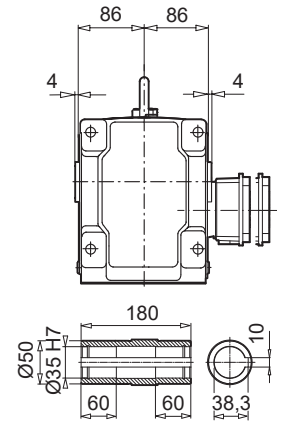
SK 9023.1



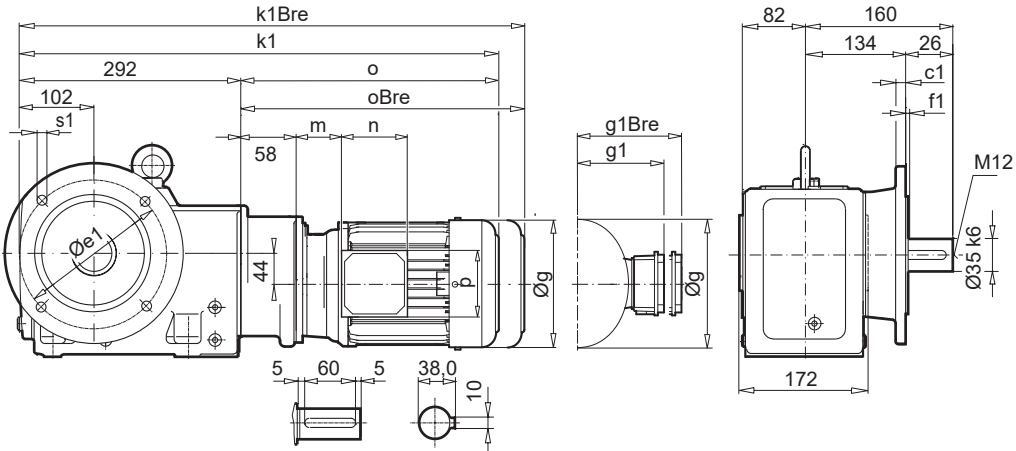
SK 9023.1



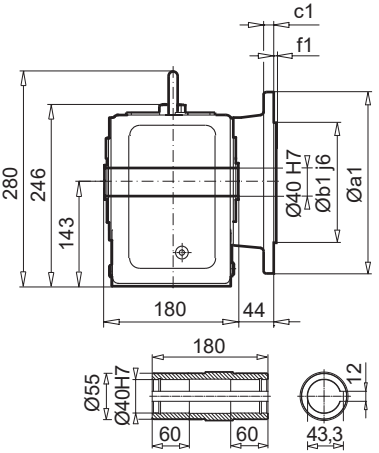
SK 9023.1AX



SK 9023.1VF

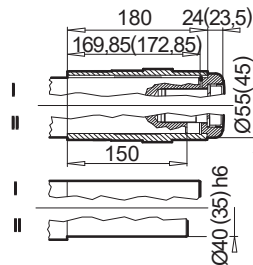


SK 9023.1AF

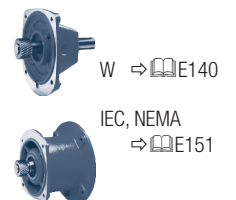


a1	b1	c1	e1	f1	s1
250	180	16	215	4,0	4 x 14

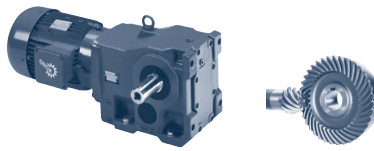
SK 9023.1AFB (AXB)



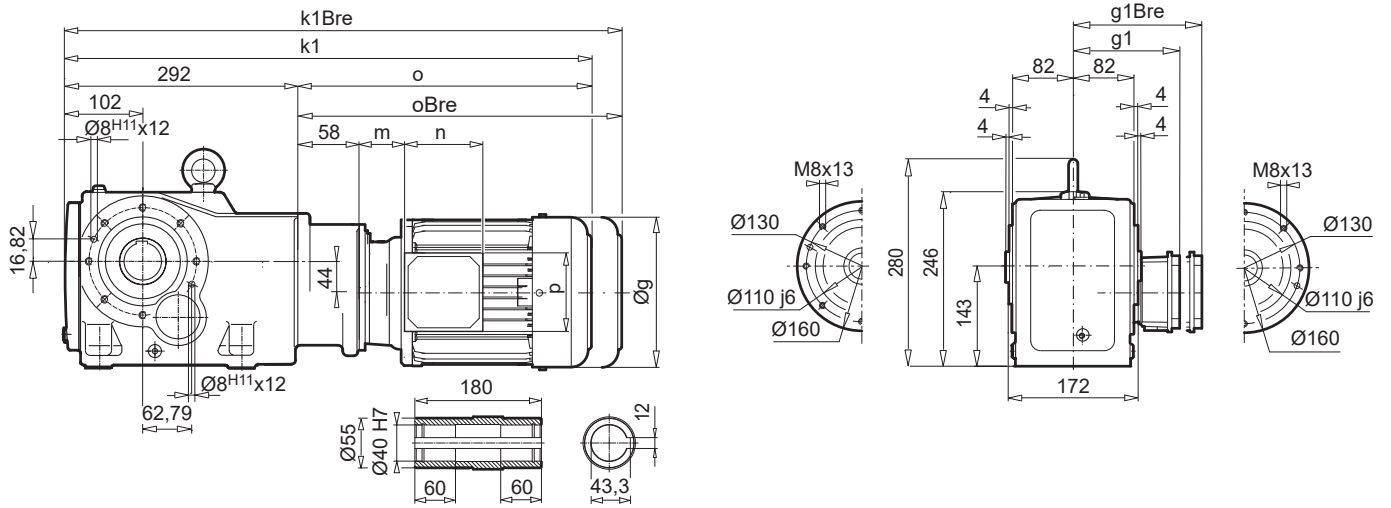
± ⇔ A60	63 SP/LP	71 SP/LP	
g	130	145	
g1 / g1Bre	115 / 123	124 / 132	
k / kBre	544 / 600	584 / 642	
k1 / k1Bre	546 / 602	586 / 644	
o / oBre	196 / 252	236 / 294	
m / m1Bre	16 / 22	42 / 48	
n / nBre	100 / 134	100 / 134	
p / p1Bre	100 / 89	100 / 89	



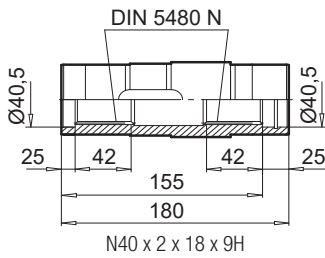
UNICASE™
Helical bevel gear units



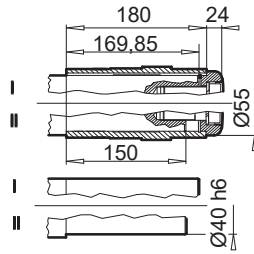
SK 9023.1AZ



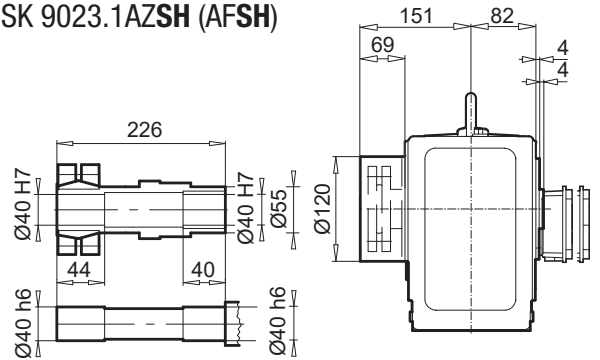
SK 9023.1AZEA



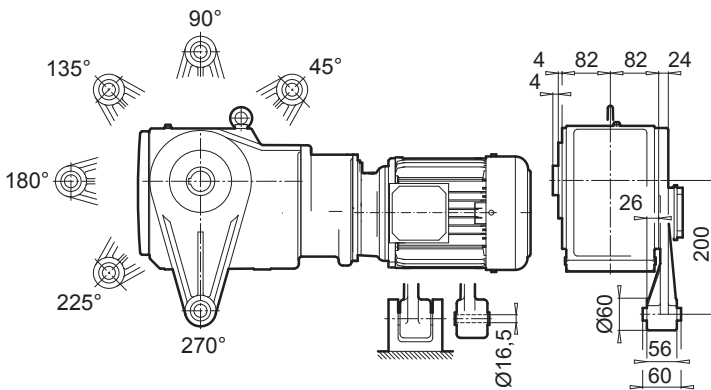
SK 9023.1AZB (AFB)



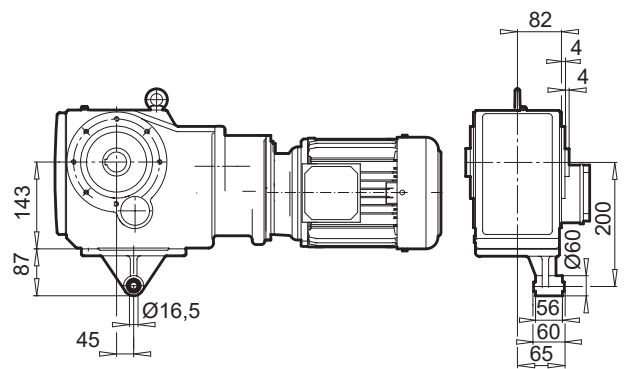
SK 9023.1AZSH (AFSH)



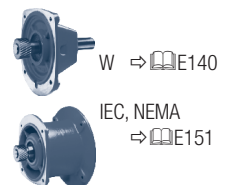
SK 9023.1AZD



SK 9023.1AZK

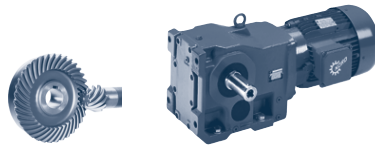


± ⇔ A60	63 SP/LP	71 SP/LP
g	130	145
g1 / g1Bre	115 / 123	124 / 132
k1 / k1Bre	546 / 602	586 / 644
o / oBre	196 / 252	236 / 294
m / m1Bre	16 / 22	42 / 48
n / nBre	100 / 134	100 / 134
p / p1Bre	100 / 89	100 / 89

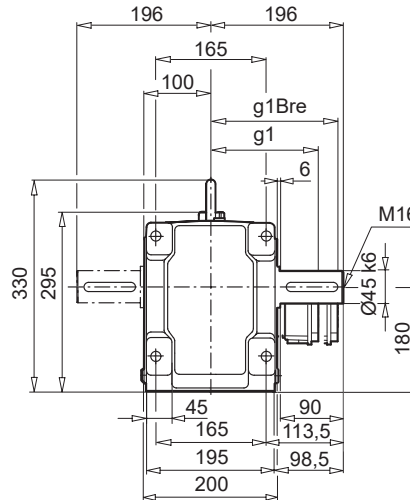
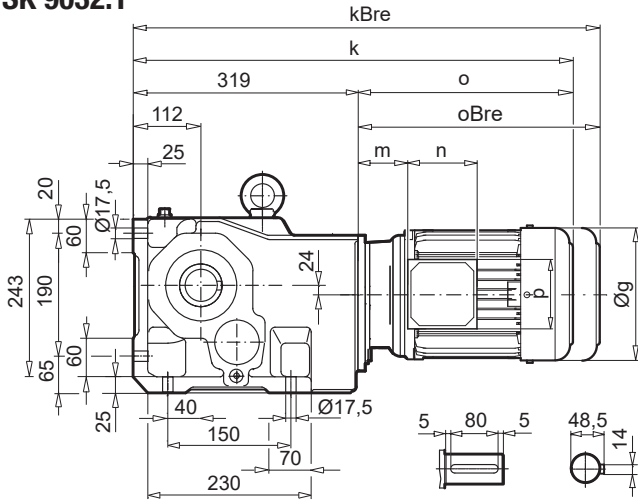


UNICASE™
Helical bevel gear units

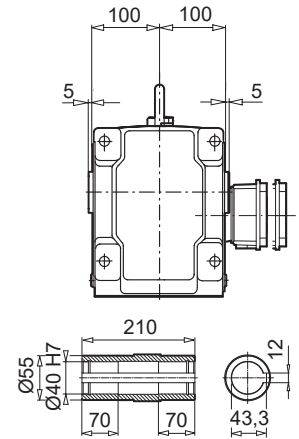
SK 9032.1



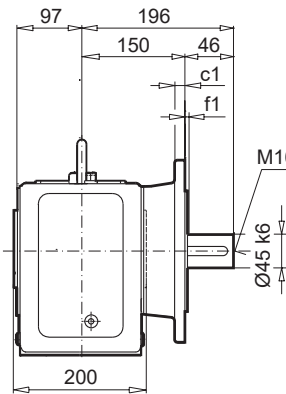
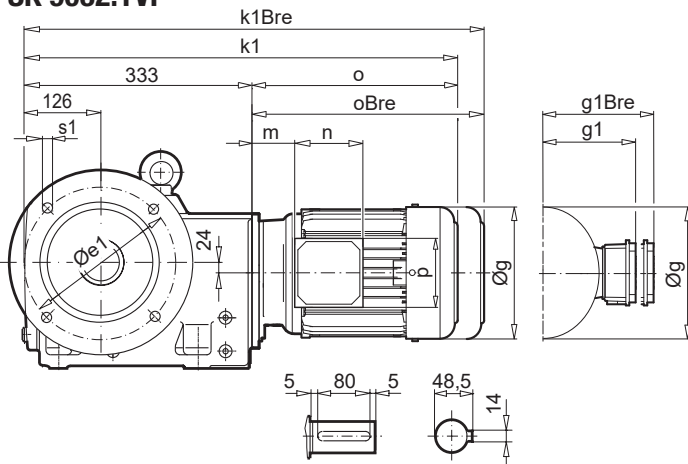
SK 9032.1



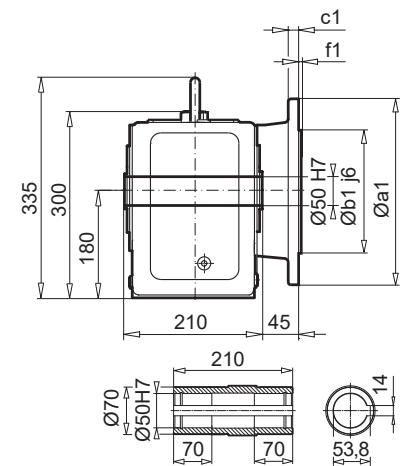
SK 9032.1AX



SK 9032.1VF

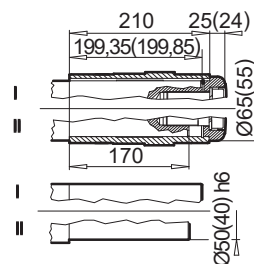


SK 9032.1AF



a1	b1	c1	e1	f1	s1
250	180	15	215	4,0	4 x 13,5
300	230	20	265	4,0	4 x 14

SK 9032.1AFB (AXB)



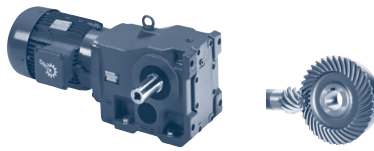
± ⇄ A60	71 SP/LP	80 SP/LP	90 SP/LP	100 LP/AP	112 MP	132 SP/MP
g	145	165	183	201	228	266
g1 / g1Bre	124 / 132	142 / 142	147 / 147	169 / 173	179 / 182	204 / 201
k / kBre	549 / 607	574 / 638	615 / 690	645 / 736	693 / 786	754 / 861
k1 / k1Bre	563 / 621	588 / 652	629 / 704	659 / 750	707 / 800	768 / 875
o / oBre	230 / 288	255 / 319	296 / 371	326 / 417	374 / 467	435 / 542
m / m1Bre	36 / 42	41 / 45	46 / 50	52 / 56	58 / 61	71 / 62
n / nBre	100 / 134	114 / 153	114 / 153	114 / 153	114 / 153	122 / 185
p / p1Bre	100 / 89	114 / 108	114 / 108	114 / 108	114 / 108	122 / 139



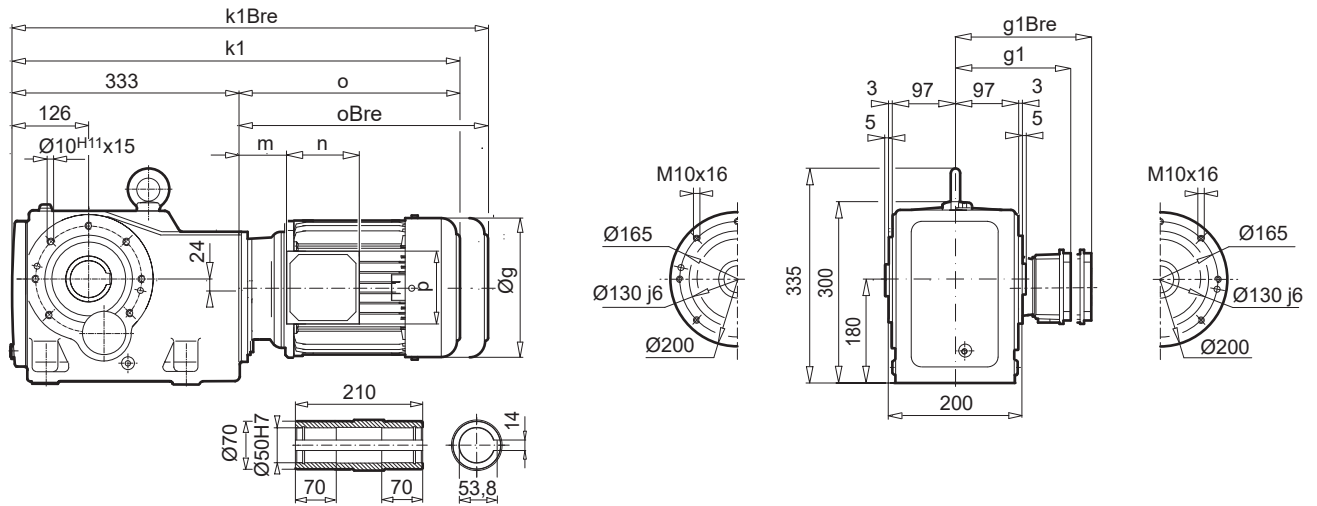
W ⇄ E140



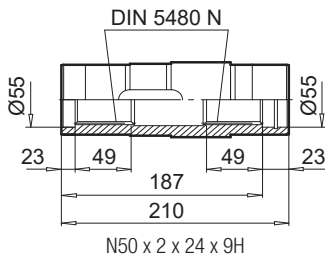
IEC, NEMA
⇄ E148



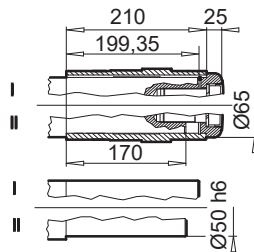
SK 9032.1AZ



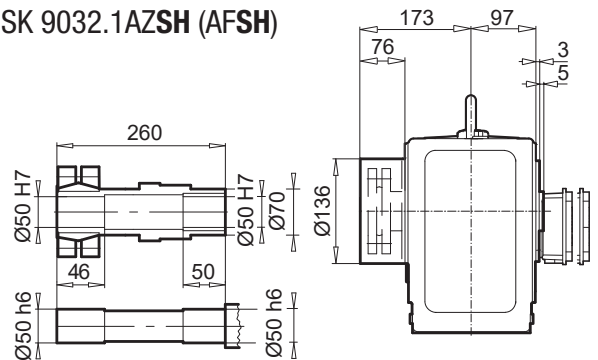
SK 9032.1AZEA



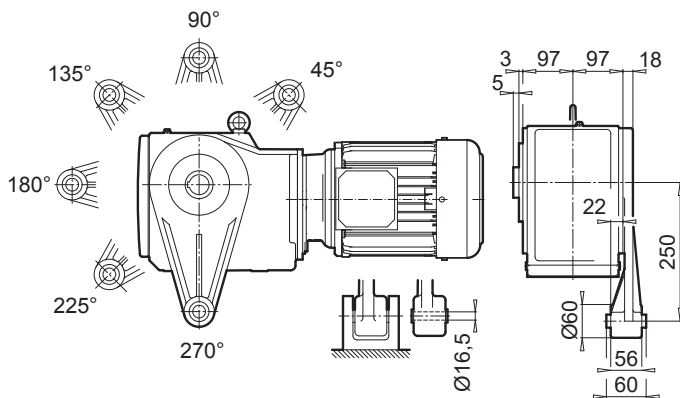
SK 9032.1AZB (AFB)



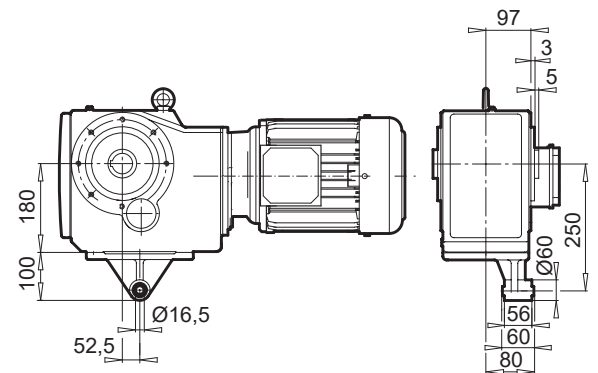
SK 9032.1AZSH (AFSH)



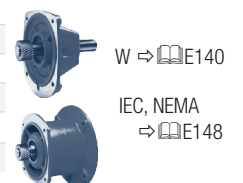
SK 9032.1AZD



SK 9032.1AZK

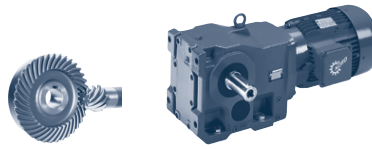


$\pm \Rightarrow$ A60	71 SP/LP	80 SP/LP	90 SP/LP	100 LP/AP	112 MP	132 SP/MP
g	145	165	183	201	228	266
g1 / g1Bre	124 / 132	142 / 142	147 / 147	169 / 173	179 / 182	204 / 201
k1 / k1Bre	563 / 621	588 / 652	629 / 704	659 / 750	707 / 800	768 / 875
o / oBre	230 / 288	255 / 319	296 / 371	326 / 417	374 / 467	435 / 542
m / m1Bre	36 / 42	41 / 45	46 / 50	52 / 56	58 / 61	71 / 62
n / nBre	100 / 134	114 / 153	114 / 153	114 / 153	114 / 153	122 / 185
p / p1Bre	100 / 89	114 / 108	114 / 108	114 / 108	114 / 108	122 / 139

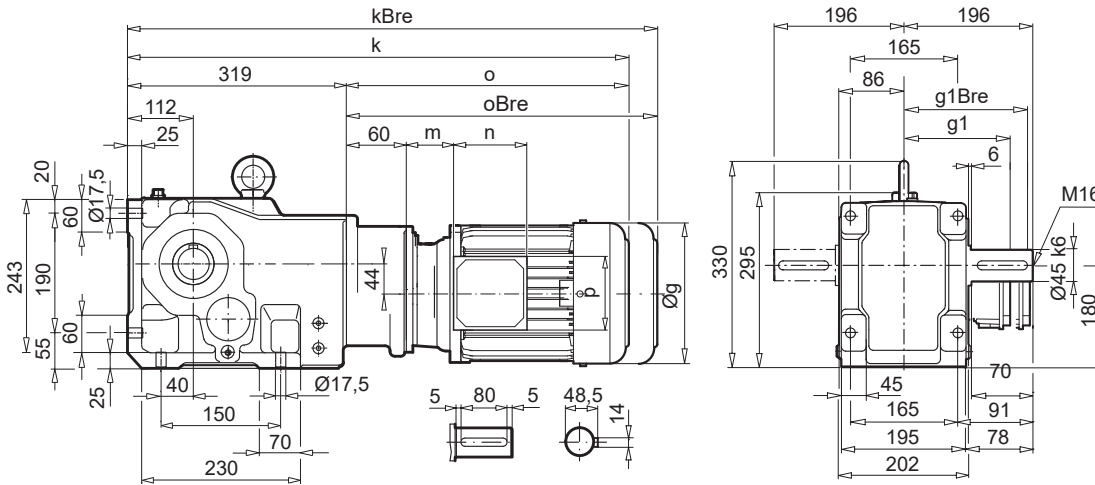


UNICASE™
Helical bevel gear units

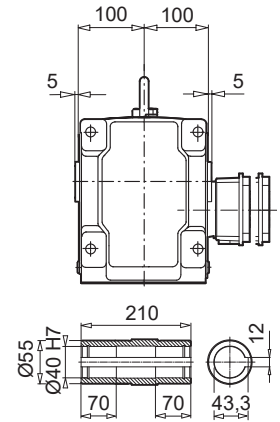
SK 9033.1



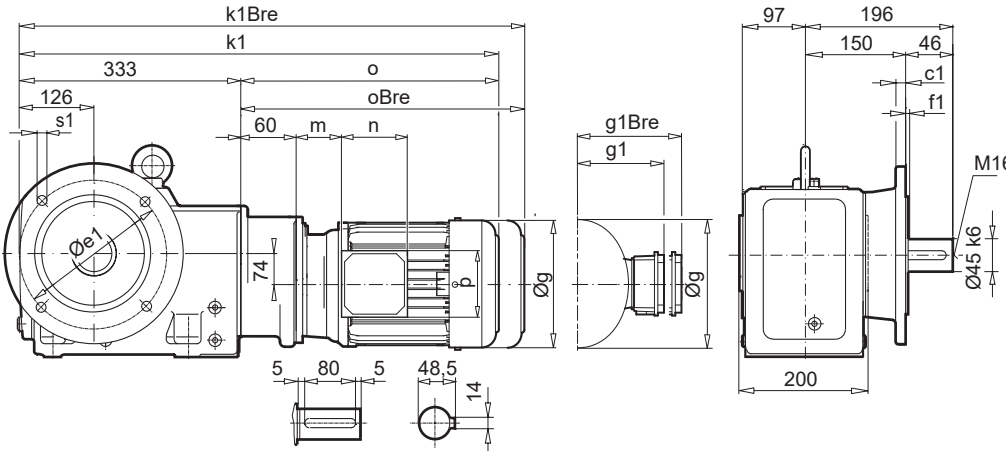
SK 9033.1



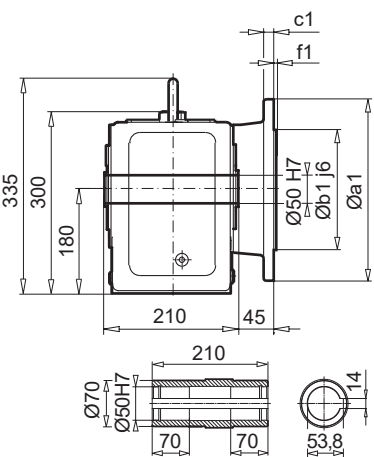
SK 9033.1AX



SK 9033.1VF

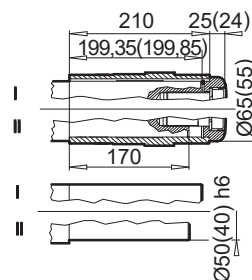


SK 9033.1AF

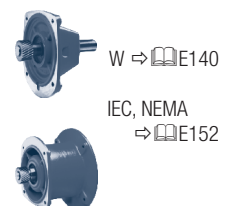


a1	b1	c1	e1	f1	s1
250	180	15	215	4,0	4 x 13,5
300	230	20	265	4,0	4 x 14

SK 9033.1AFB (AXB)



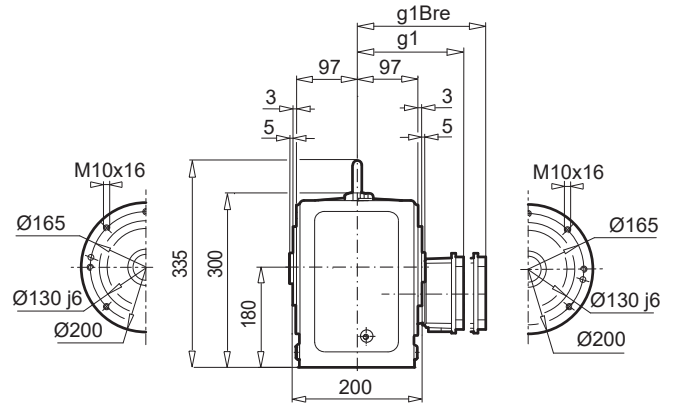
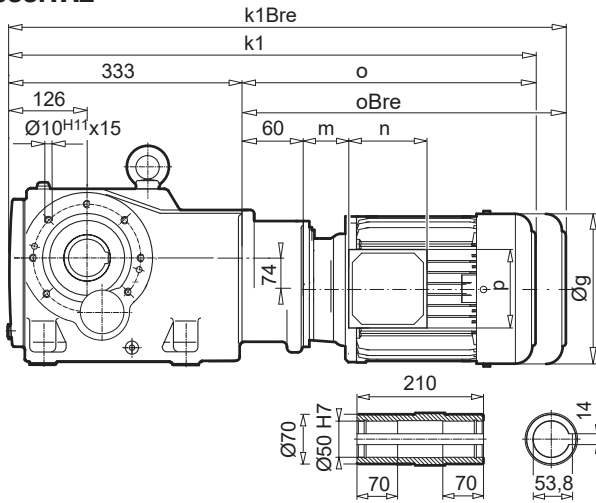
± → A60	63 SP/LP	71 SP/LP	80 SP/LP	90 SP
g	130	145	165	183
g1 / g1Bre	115 / 123	124 / 132	142 / 142	147 / 147
k / kBre	575 / 631	615 / 673	640 / 704	681 / 756
k1 / k1Bre	589 / 645	629 / 687	654 / 718	695 / 770
o / oBre	196 / 252	236 / 294	261 / 325	302 / 377
m / m1Bre	16 / 22	42 / 48	47 / 51	52 / 56
n / nBre	100 / 134	100 / 134	114 / 153	114 / 153
p / p1Bre	100 / 89	100 / 89	114 / 108	114 / 108



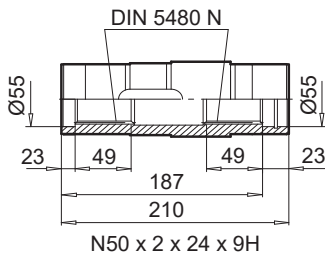
UNICASE™
Helical bevel gear units



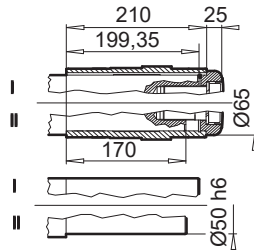
SK 9033.1AZ



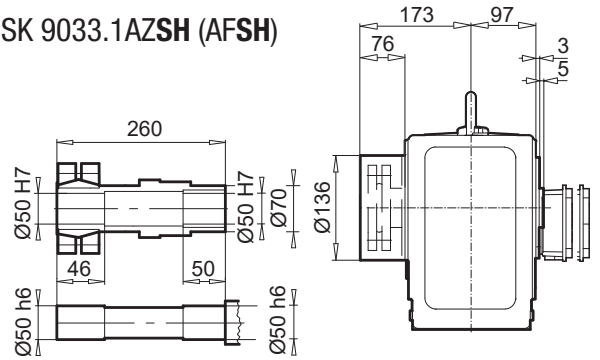
SK 9033.1AZEA



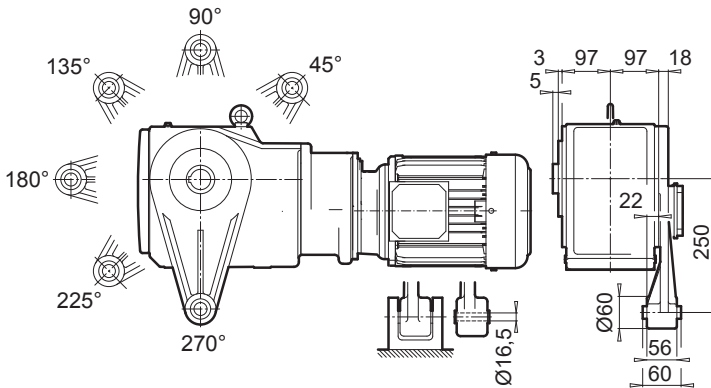
SK 9033.1AZB (AFB)



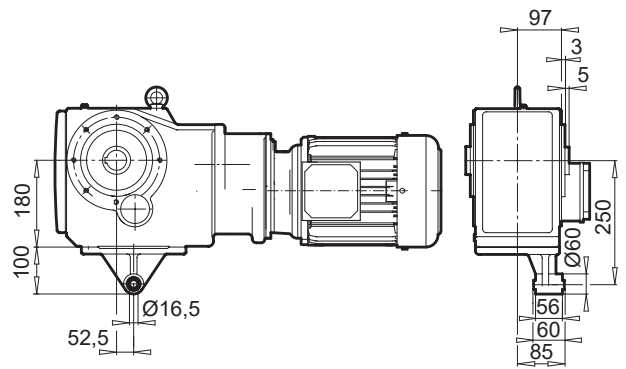
SK 9033.1AZSH (AFSH)



SK 9033.1AZD

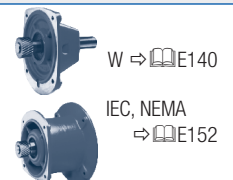


SK 9033.1AZK

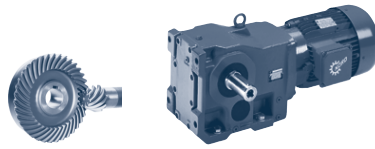


UNICASE™
Helical bevel gear units

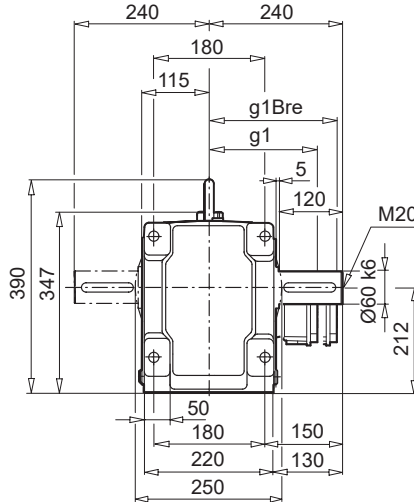
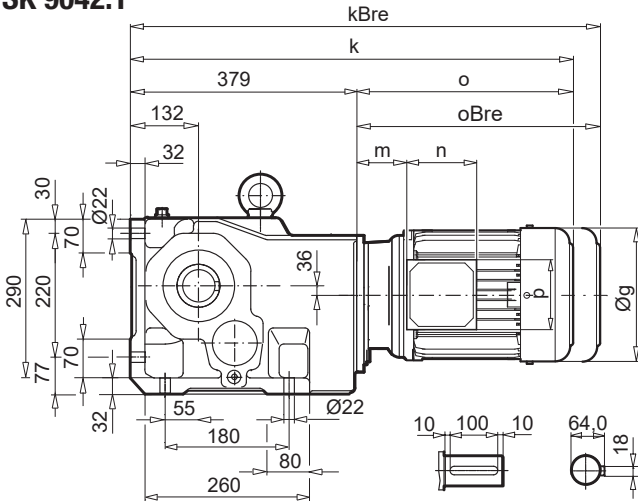
± ⇨ A60	63 SP/LP	71 SP/LP	80 SP/LP	90 SP
g	130	145	165	183
g1 / g1Bre	115 / 123	124 / 132	142 / 142	147 / 147
k1 / k1Bre	589 / 645	629 / 687	654 / 718	695 / 770
o / oBre	196 / 252	236 / 294	261 / 325	302 / 377
m / m1Bre	16 / 22	42 / 48	47 / 51	52 / 56
n / nBre	100 / 134	100 / 134	114 / 153	114 / 153
p / p1Bre	100 / 89	100 / 89	114 / 108	114 / 108



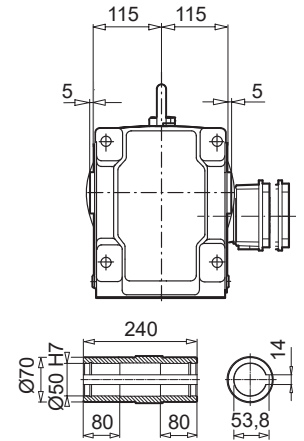
SK 9042.1



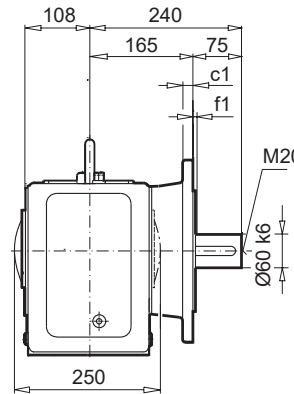
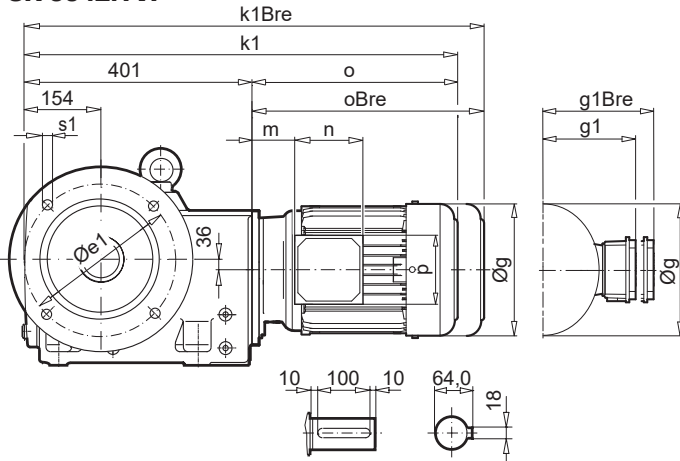
SK 9042.1



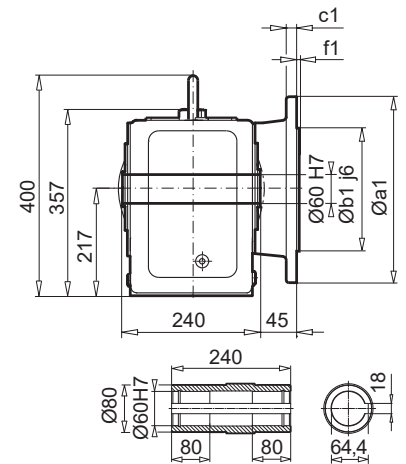
SK 9042.1AX



SK 9042.1VF

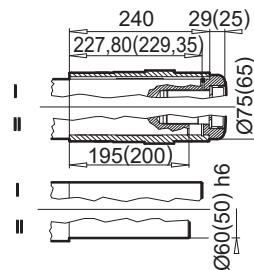


SK 9042.1AF



a1	b1	c1	e1	f1	s1
350	250	20	300	5,0	4 x 18

SK 9042.1AFB (AXB)



± ⇄ A60	90 SP/LP	100 LP/AP	112 MP	132 SP/MP	160 SP/MP	160 LP	180 MP/LP
g	183	201	228	266	320	320	358
g1 / g1Bre	147 / 147	169 / 173	179 / 182	204 / 201	242 / 242	242 / 242	259 / 259
k / kBre	655 / 730	685 / 776	733 / 826	794 / 901	871 / 1006	915 / 1050	1013 / 1040
k1 / k1Bre	677 / 752	707 / 798	755 / 848	816 / 923	893 / 1028	937 / 1072	1035 / 1163
o / oBre	276 / 351	306 / 397	354 / 447	415 / 522	492 / 627	536 / 671	634 / 762
m / m1Bre	26 / 30	32 / 36	38 / 41	51 / 42	52 / 52	52 / 52	75 / 75
n / nBre	114 / 153	114 / 153	114 / 153	122 / 185	186 / 186	186 / 186	186 / 186
p / p1Bre	114 / 108	114 / 108	114 / 108	122 / 139	186 / 186	186 / 186	186 / 186

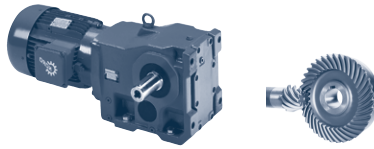


W ⇄ E141

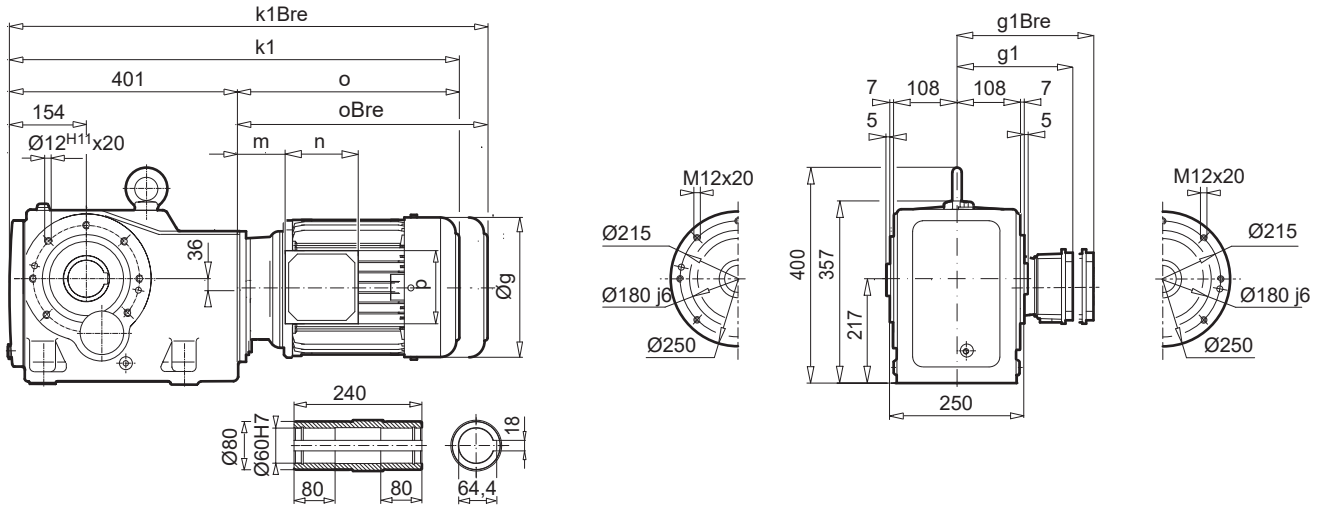


IEC, NEMA
⇄ E149

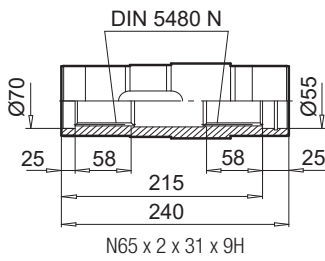
UNICASE™
Helical bevel gear units



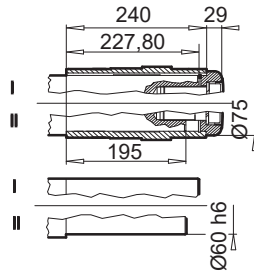
SK 9042.1AZ



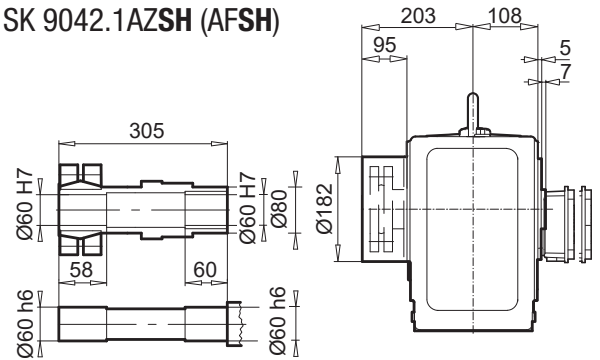
SK 9042.1AZEA



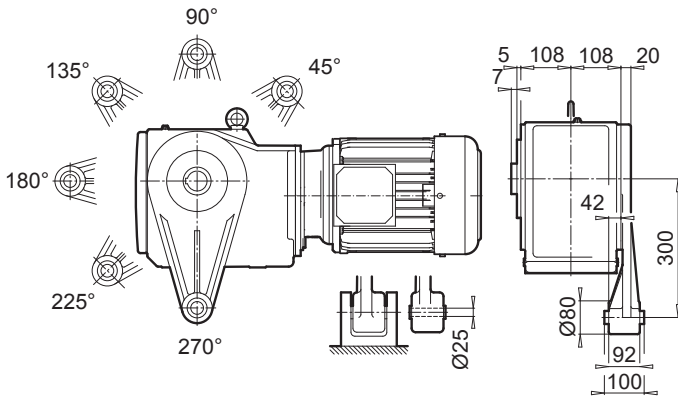
SK 9042.1AZB (AFB)



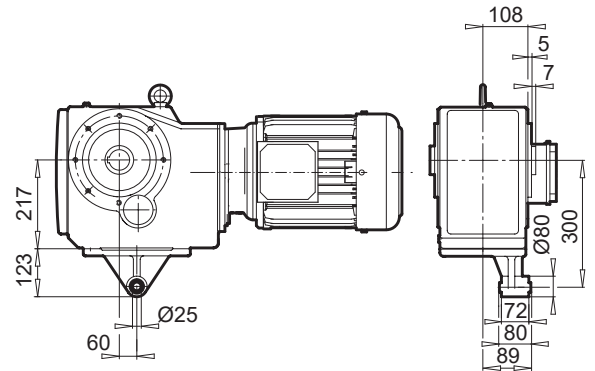
SK 9042.1AZSH (AFSH)



SK 9042.1AZD

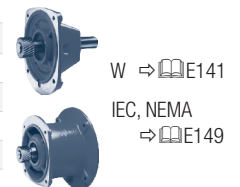


SK 9042.1AZK

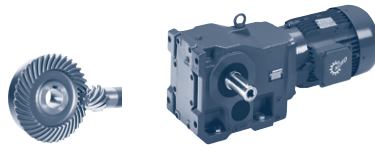


UNICASE™
Helical bevel gear units

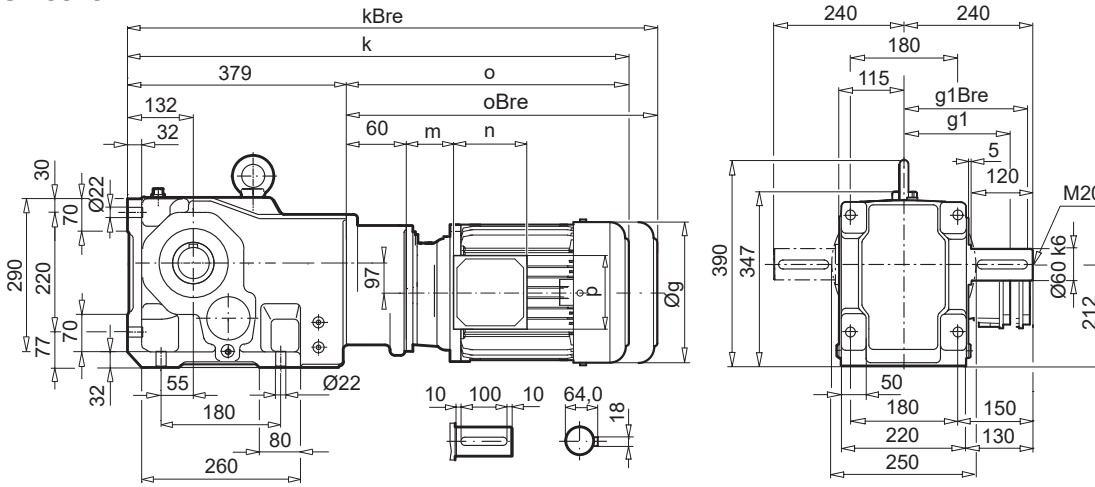
$\pm \Rightarrow$ A60	90 SP/LP	100 LP/AP	112 MP	132 SP/MP	160 SP/MP	160 LP	180 MP/LP
g	183	201	228	266	320	320	358
g1 / g1Bre	147 / 147	169 / 173	179 / 182	204 / 201	242 / 242	242 / 242	259 / 259
k1 / k1Bre	677 / 752	707 / 798	755 / 848	816 / 923	893 / 1028	937 / 1072	1035 / 1163
o / oBre	276 / 351	306 / 397	354 / 447	415 / 522	492 / 627	536 / 671	634 / 762
m / m1Bre	26 / 30	32 / 36	38 / 41	51 / 42	52 / 52	52 / 52	75 / 75
n / nBre	114 / 153	114 / 153	114 / 153	122 / 185	186 / 186	186 / 186	186 / 186
p / p1Bre	114 / 108	114 / 108	114 / 108	122 / 139	186 / 186	186 / 186	186 / 186



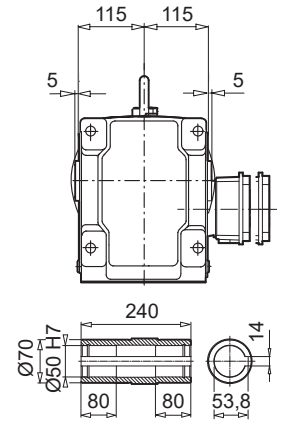
SK 9043.1



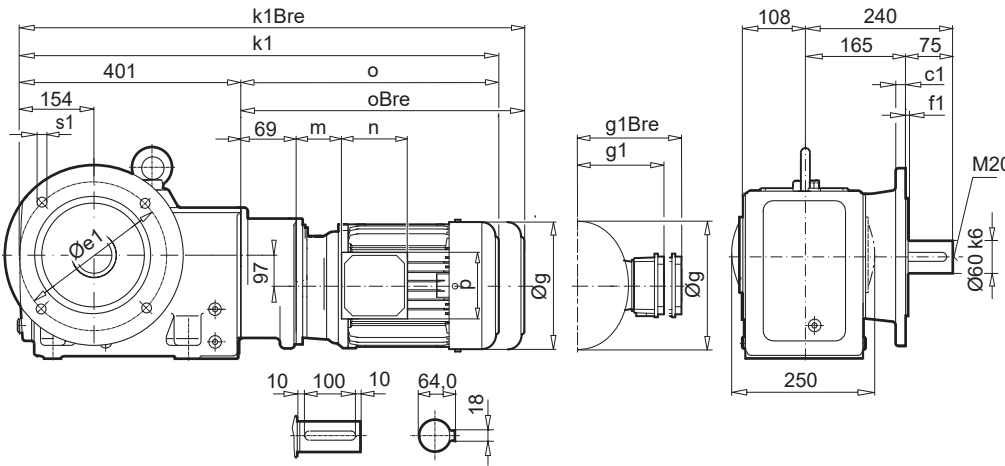
SK 9043.1



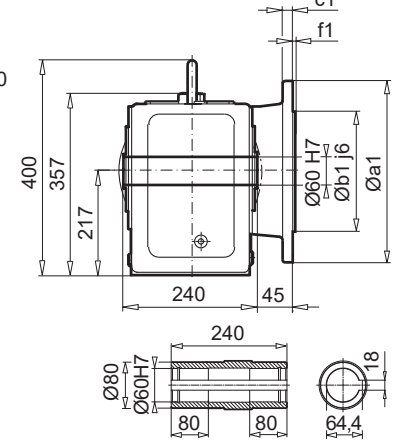
SK 9043.1AX



SK 9043.1VF

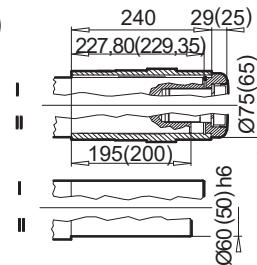



SK 9043.1AF



a1	b1	c1	e1	f1	s1
350	250	20	300	5,0	4 x 18

SK 9043.1AFB (AXB)



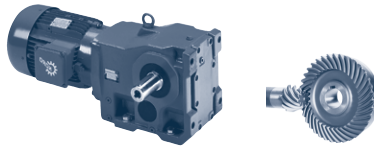
± ⇒  A60	71 SP/LP	80 SP/LP	90 SP/LP	100 LP/AP
g	145	165	183	201
g1 / g1Bre	124 / 132	142 / 142	147 / 147	169 / 173
k / kBre	678 / 736	703 / 767	744 / 819	774 / 865
k1 / k1Bre	700 / 758	725 / 789	766 / 841	796 / 887
o / oBre	230 / 288	255 / 319	296 / 371	326 / 417
m / m1Bre	36 / 42	41 / 45	46 / 50	52 / 56
n / nBre	100 / 134	114 / 153	114 / 153	114 / 153
p / p1Bre	100 / 89	114 / 108	114 / 108	114 / 108



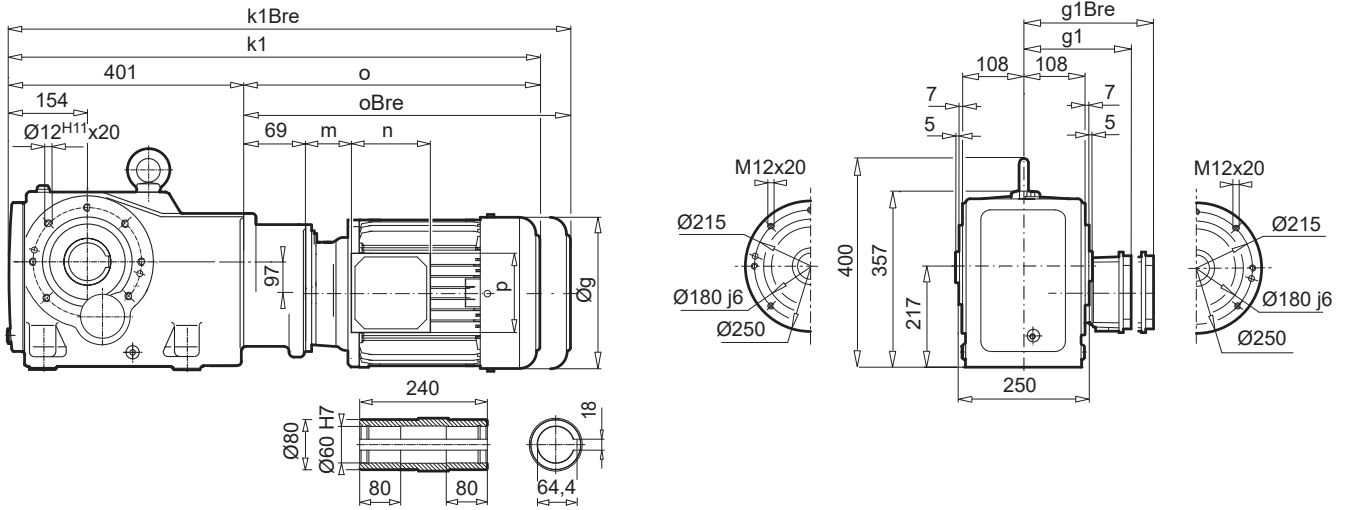
W ⇒  E140



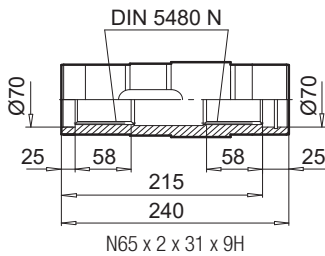
IEC, NEMA
⇒  E152



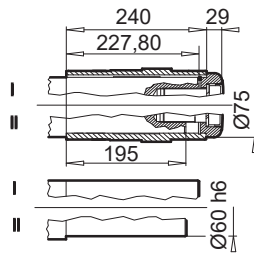
SK 9043.1AZ



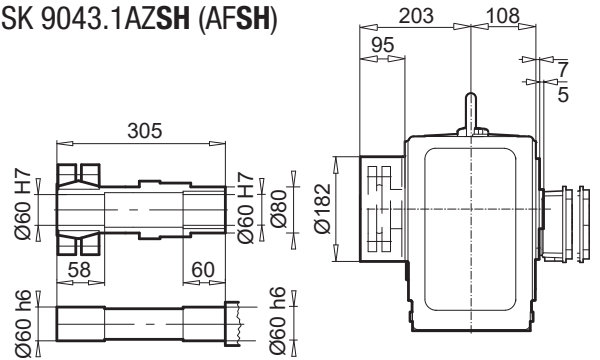
SK 9043.1AZEA



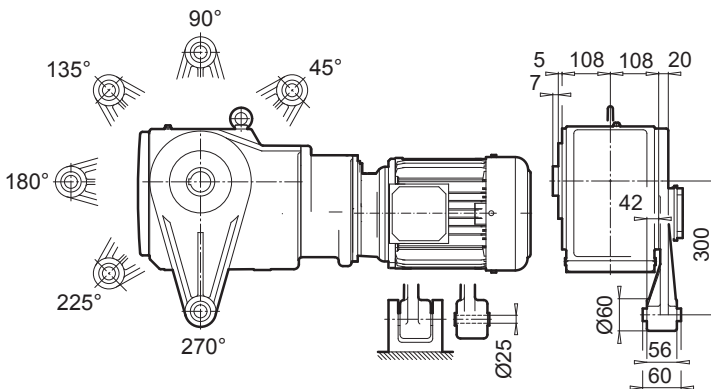
SK 9043.1AZB (AFB)



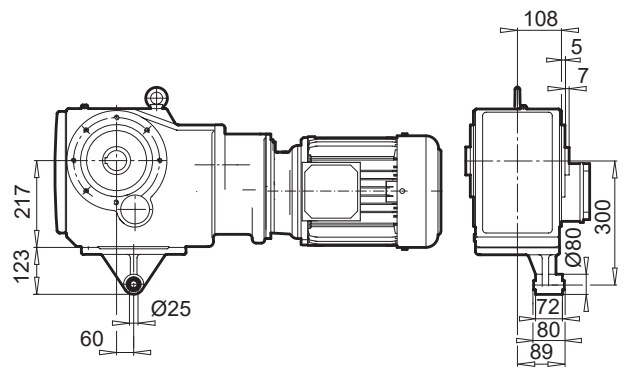
SK 9043.1AZSH (AFSH)



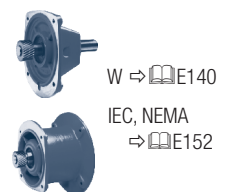
SK 9043.1AZD



SK 9043.1AZK

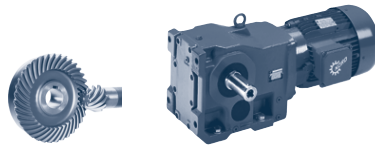


$\pm \Rightarrow$ A60	71 SP/LP	80 SP/LP	90 SP/LP	100 LP/AP
g	145	165	183	201
g1 / g1Bre	124 / 132	142 / 142	147 / 147	169 / 173
k1 / k1Bre	700 / 758	725 / 789	766 / 841	796 / 887
o / oBre	230 / 288	255 / 319	296 / 371	326 / 417
m / m1Bre	36 / 42	41 / 45	46 / 50	52 / 56
n / nBre	100 / 134	114 / 153	114 / 153	114 / 153
p / p1Bre	100 / 89	114 / 108	114 / 108	114 / 108

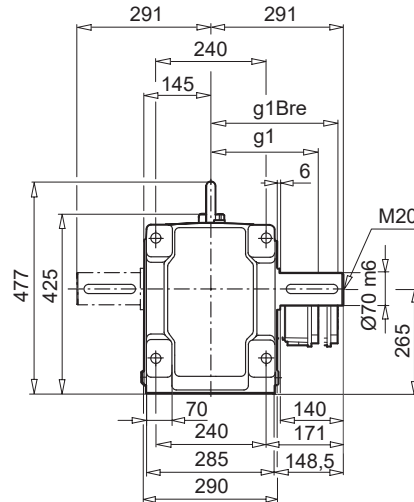
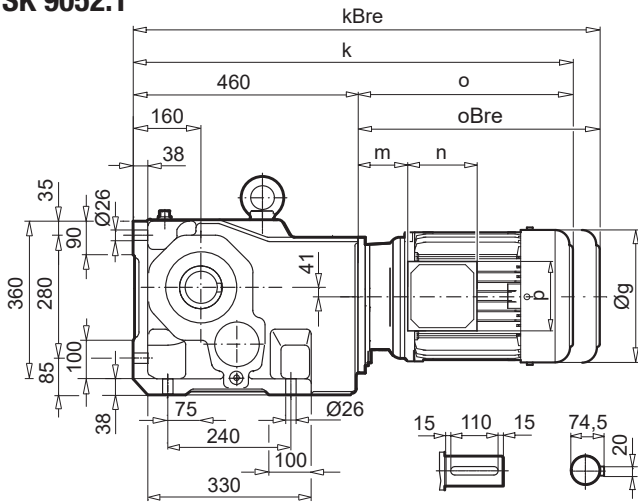


UNICASE™
Helical bevel gear units

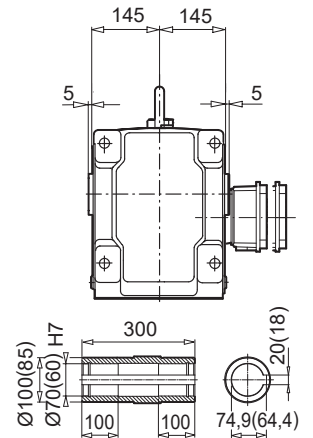
SK 9052.1



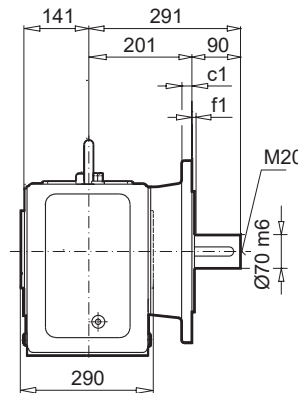
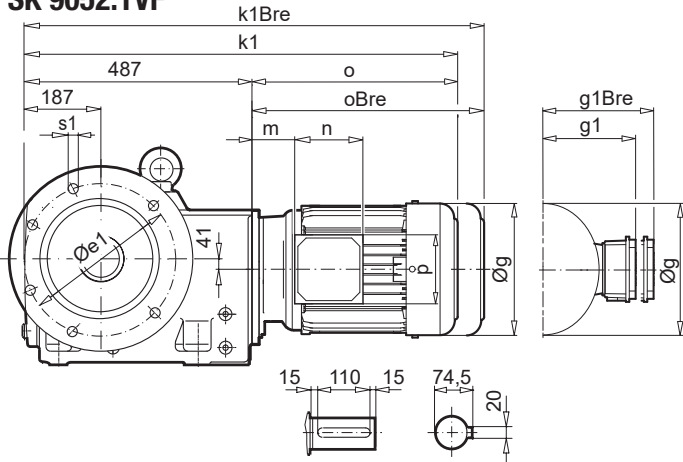
SK 9052.1



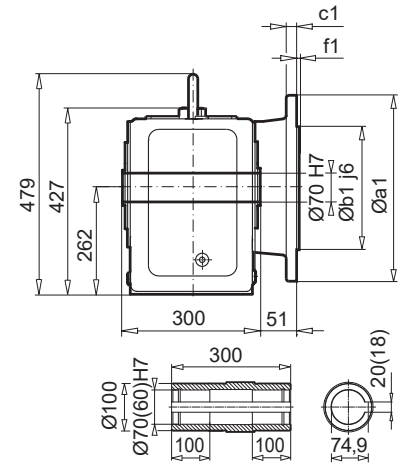
SK 9052.1AX



SK 9052.1VF

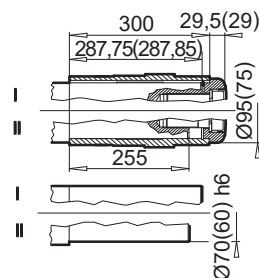


SK 9052.1AF

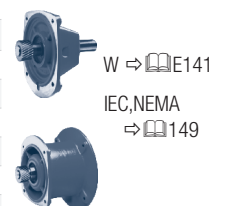


a1	b1	c1	e1	f1	s1
400	300	20	350	5,0	4 x 18
450	350	16	400	5,0	8 x 18

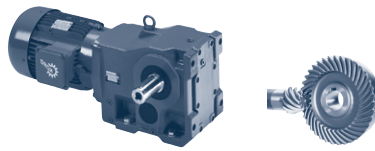
SK 9052.1AFB (AXB)



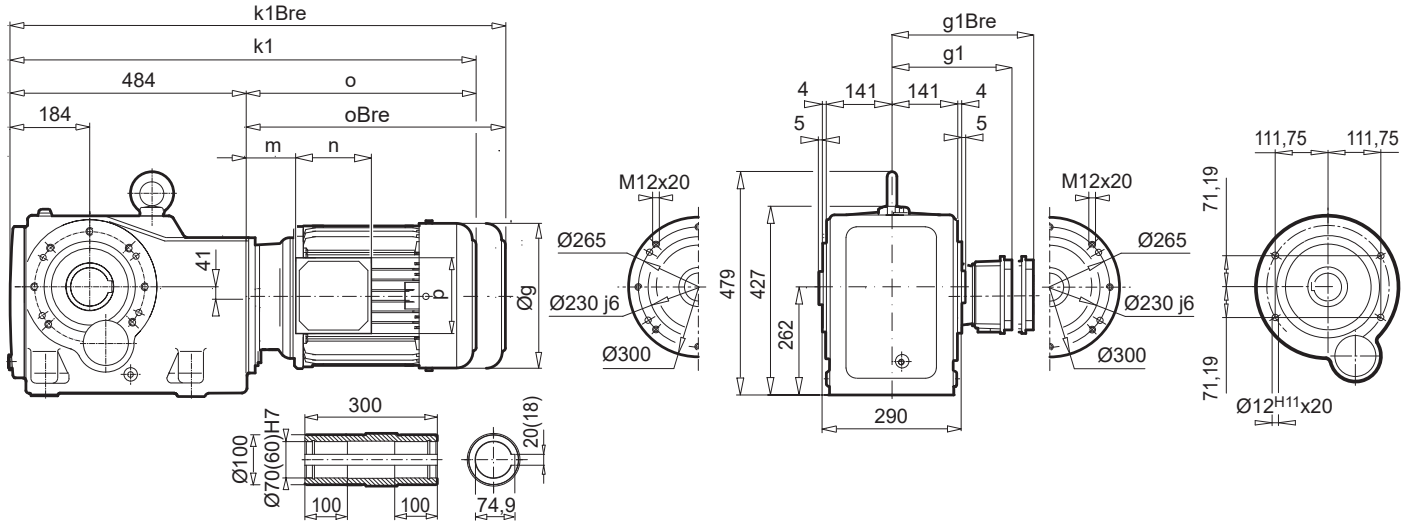
± → A60	90 SP/LP	100 LP/AP	112 MP	132 SP/MP	160 SP/MP	160 LP	180 MP/LP	225 RP/SP
g	183	201	228	266	320	320	358	443
g1 / g1Bre	147 / 147	169 / 173	179 / 182	204 / 201	242 / 242	242 / 242	259 / 259	347 / 347
k / kBre	736 / 811	766 / 857	814 / 907	875 / 982	952 / 1087	996 / 1131	1096 / 1223	1202 / 1382
k1 / k1Bre	763 / 838	793 / 884	841 / 934	902 / 1009	992 / 1127	1023 / 1158	1123 / 1251	1242 / 1422
o / oBre	276 / 351	306 / 397	354 / 447	415 / 522	492 / 627	536 / 671	636 / 764	742 / 922
m / m1Bre	26 / 30	32 / 36	38 / 41	51 / 42	52 / 52	52 / 52	75 / 75	94 / 94
n / nBre	114 / 153	114 / 153	114 / 153	122 / 185	186 / 186	186 / 186	186 / 186	245 / 245
p / p1Bre	114 / 108	114 / 108	114 / 108	122 / 139	186 / 186	186 / 186	186 / 186	245 / 245



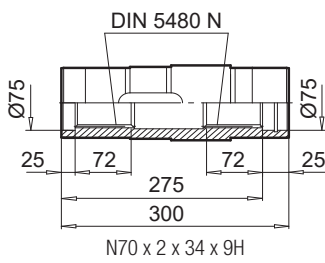
UNICASE™ Helical bevel gear units



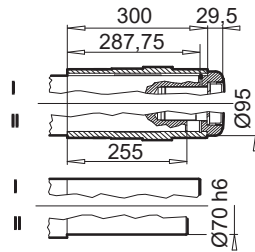
SK 9052.1AZ



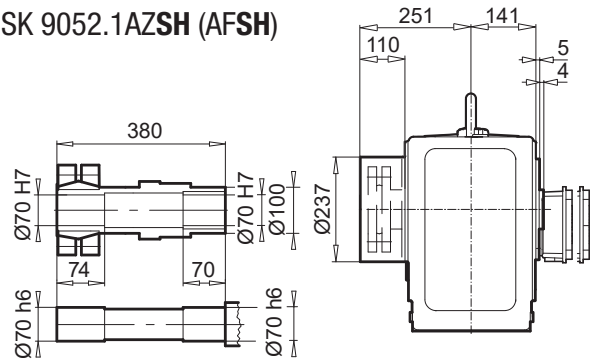
SK 9052.1AZEA



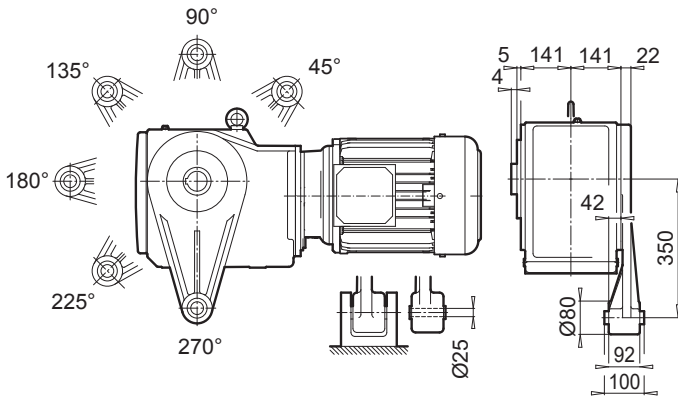
SK 9052.1AZB (AFB)



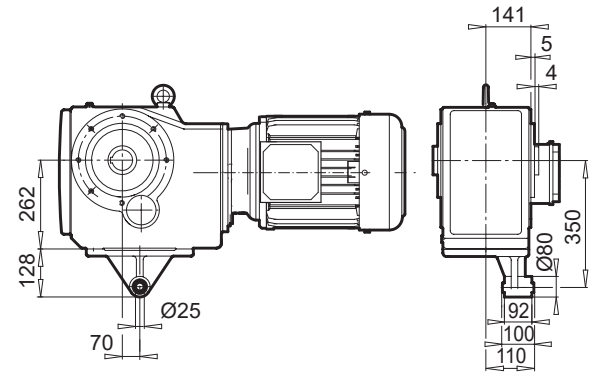
SK 9052.1AZSH (AFSH)



SK 9052.1AZD

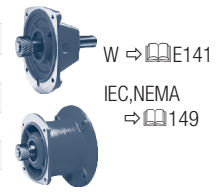


SK 9052.1AZK

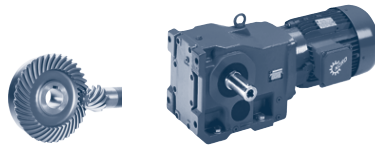


UNICASE™
Helical bevel gear units

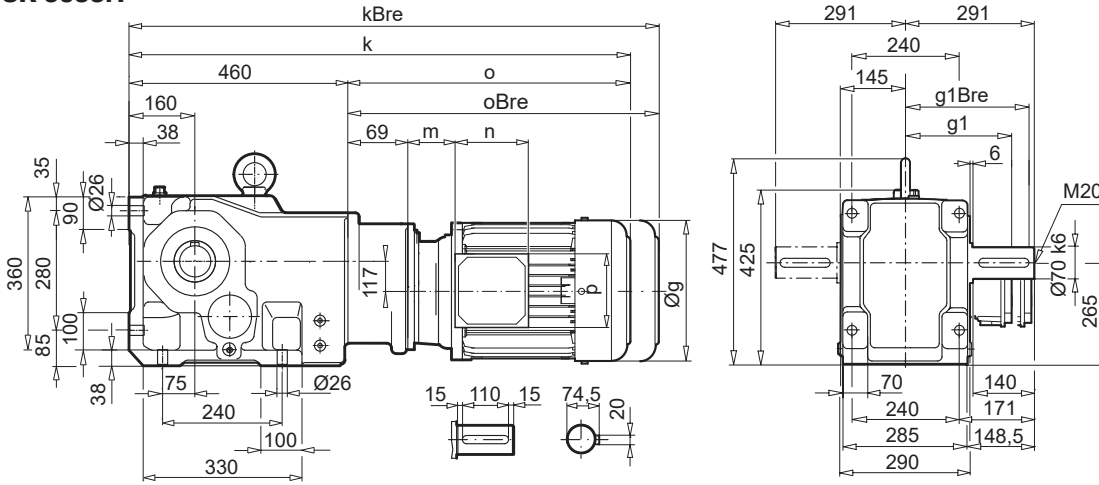
± → A60	90 SP/LP	100 LP/AP	112 MP	132 SP/MP	160 SP/MP	160 LP	180 MP/LP	225 RP/SP
g	183	201	228	266	320	320	358	443
g1 / g1Bre	147 / 147	169 / 173	179 / 182	204 / 201	242 / 242	242 / 242	259 / 259	347 / 347
k1 / k1Bre	760 / 835	790 / 882	838 / 932	899 / 1006	976 / 1111	1020 / 1153	1120 / 1248	1226 / 1406
o / oBre	276 / 351	306 / 397	354 / 447	415 / 522	492 / 627	536 / 671	636 / 764	742 / 922
m / m1Bre	26 / 30	32 / 36	38 / 41	51 / 42	52 / 52	52 / 52	75 / 75	94 / 94
n / nBre	114 / 153	114 / 153	114 / 153	122 / 185	186 / 186	186 / 186	186 / 186	245 / 245
p / p1Bre	114 / 108	114 / 108	114 / 108	122 / 139	186 / 186	186 / 186	186 / 186	245 / 245



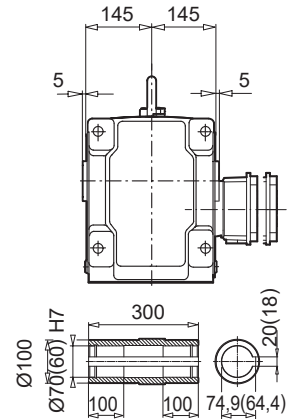
SK 9053.1



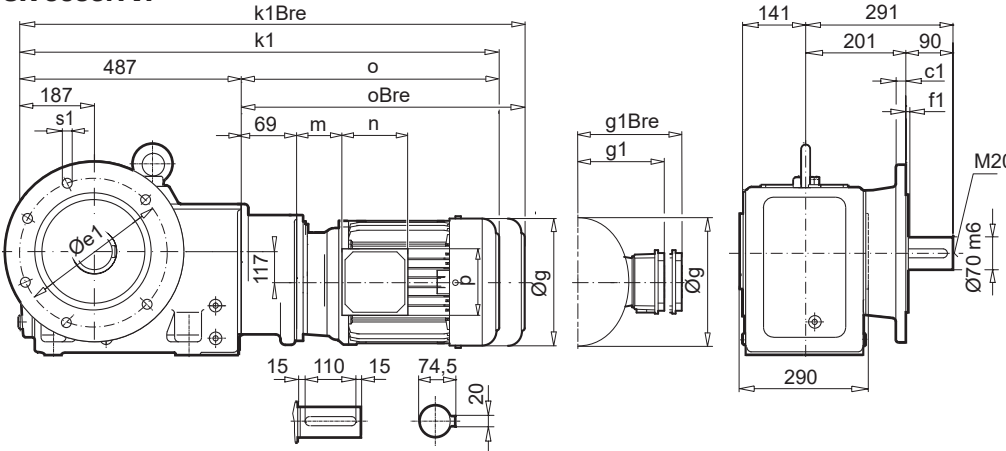
SK 9053.1



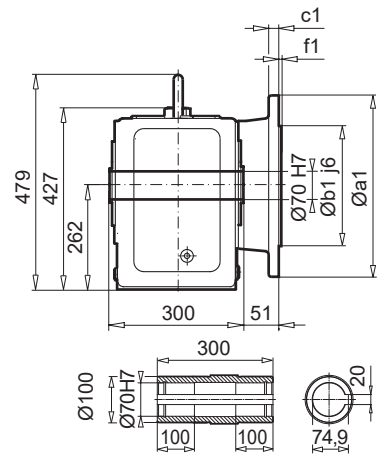
SK 9053.1AX



SK 9053.1VF

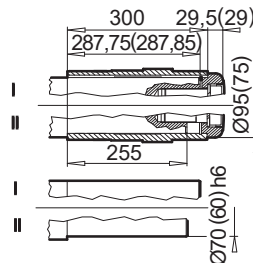


SK 9053.1AF



a1	b1	c1	e1	f1	s1
400	300	20	350	5,0	4 x 18
450	350	16	400	5,0	8 x 18

SK 9053.1AFB (AXB)



± → A60	71 SP/LP	80 SP/LP	90 SP/LP	100 LP/AP	112 MP
g	145	165	183	201	228
g1 / g1Bre	124 / 132	142 / 142	147 / 147	169 / 173	179 / 182
k / kBre	759 / 817	784 / 848	825 / 900	855 / 946	903 / 996
k1 / k1Bre	786 / 844	811 / 875	852 / 927	882 / 973	930 / 1023
o / oBre	230 / 288	255 / 319	296 / 371	326 / 417	374 / 467
m / m1Bre	36 / 42	41 / 45	46 / 50	52 / 56	38 / 41
n / nBre	100 / 134	114 / 153	114 / 153	114 / 153	114 / 153
p / p1Bre	100 / 89	114 / 108	114 / 108	114 / 108	114 / 108



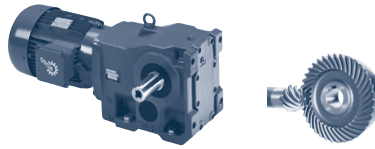
W → E140

IEC, NEMA

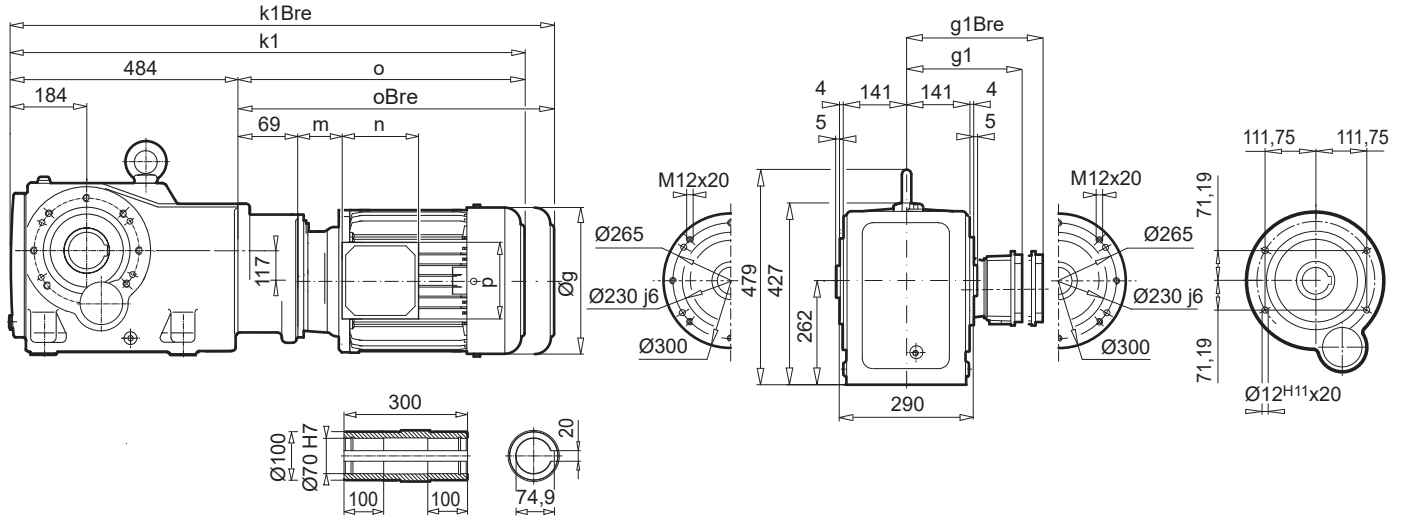
→ E152



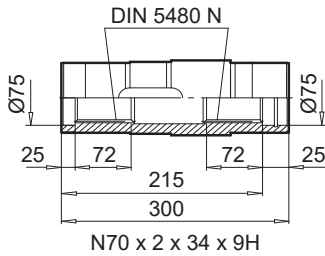
UNICASE™
Helical bevel gear units



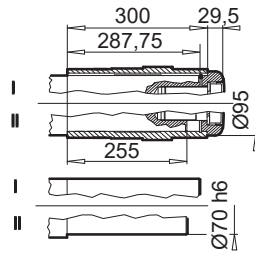
SK 9053.1AZ



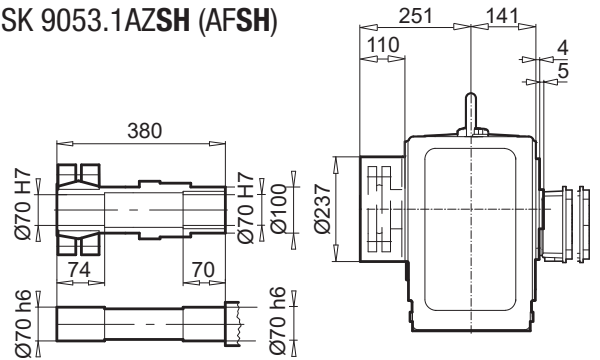
SK 9053.1AZEA



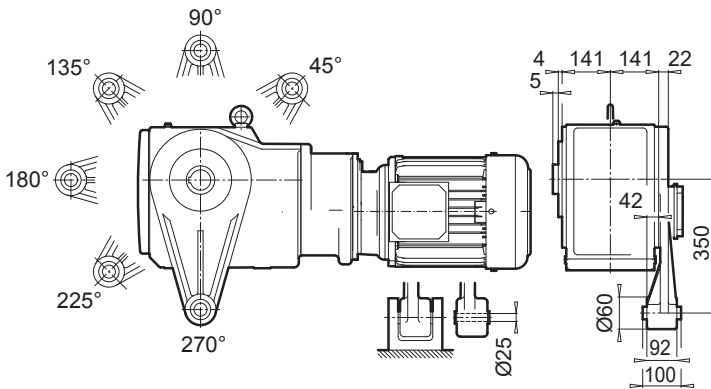
SK 9053.1AZB (AFB)



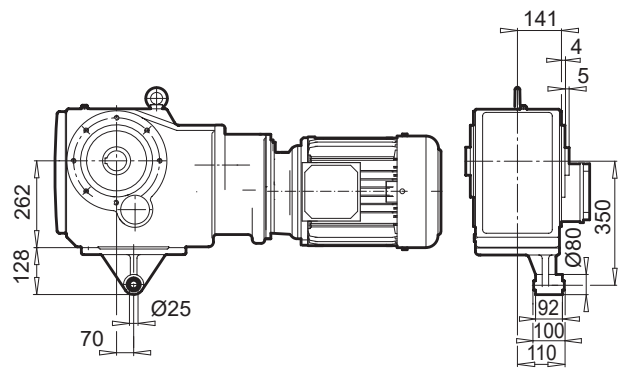
SK 9053.1AZSH (AFSH)



SK 9053.1AZD



SK 9053.1AZK



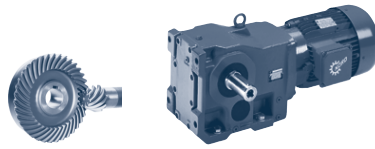
± ⇔ A60	71 SP/LP	80 SP/LP	90 SP/LP	100 LP/AP	112 MP
g	145	165	183	201	228
g1 / g1Bre	124 / 132	142 / 142	147 / 147	169 / 173	179 / 182
k1 / k1Bre	783 / 841	808 / 872	849 / 924	879 / 970	927 / 1020
o / oBre	230 / 288	255 / 319	296 / 371	326 / 417	374 / 467
m / m1Bre	36 / 42	41 / 45	46 / 50	52 / 56	38 / 41
n / nBre	100 / 134	114 / 153	114 / 153	114 / 153	114 / 153
p / p1Bre	100 / 89	114 / 108	114 / 108	114 / 108	114 / 108



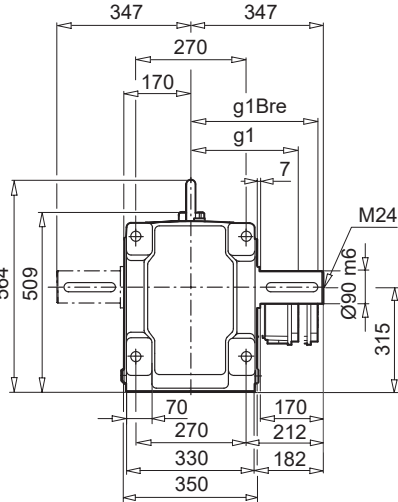
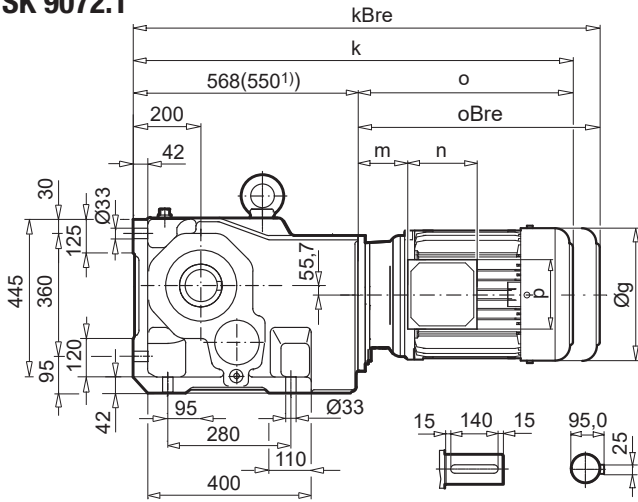
W ⇔ E140
IEC, NEMA
⇔ E152

UNICASE™
Helical bevel gear units

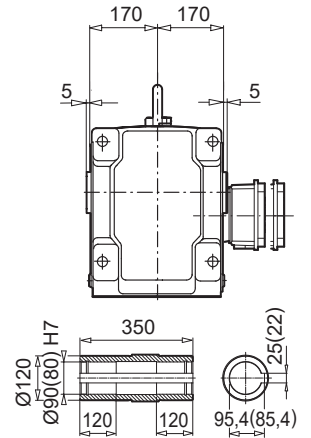
SK 9072.1



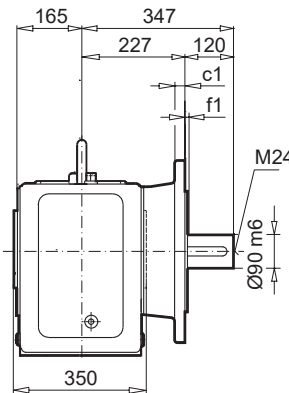
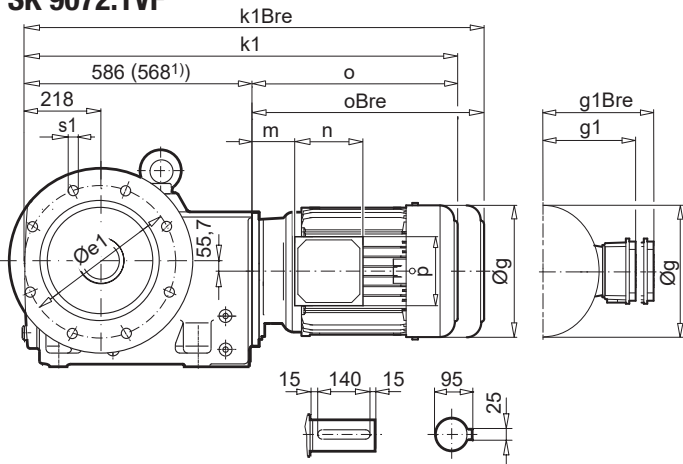
SK 9072.1



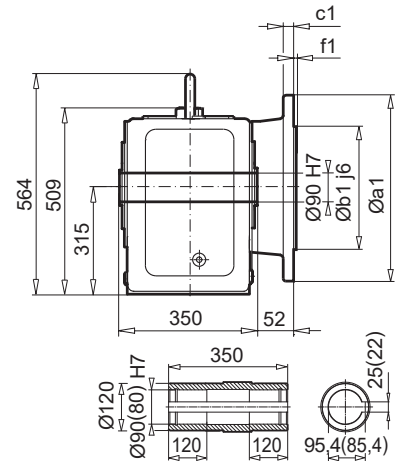
SK 9072.1AX



SK 9072.1VF

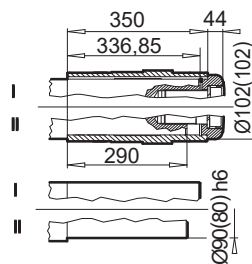


SK 9072.1AF



a1	b1	c1	e1	f1	s1
450	350	22	400	5,0	8 x 18
550	450	28	500	5,0	8 x 18

SK 9072.1AFB (AXB)



± ⇄ A60	100 LP/AP	112 MP	132 SP/MP	160 SP/MP ¹⁾	160 LP ¹⁾	180 MP/LP ¹⁾	225 RP/SP/MP ¹⁾
g	201	228	266	320	320	358	443
g1 / g1Bre	169 / 173	179 / 182	204 / 201	242 / 242	242 / 242	259 / 259	347 / 347
k / kBre	874 / 965	919 / 1012	1003 / 1110	1042 / 1177	1086 / 1221	1164 / 1292	1292 / 1472
k1 / k1Bre	892 / 983	937 / 1030	1021 / 1128	1060 / 1195	1011 / 1239	1182 / 1310	1310 / 1490
o / oBre	306 / 397	351 / 444	435 / 542	492 / 627	536 / 671	614 / 742	742 / 922
m / m1Bre	32 / 36	35 / 38	51 / 42	52 / 52	52 / 52	55 / 55	94 / 94
n / nBre	114 / 153	114 / 153	122 / 185	186 / 186	186 / 186	186 / 186	245 / 245
p / p1Bre	114 / 108	114 / 108	122 / 139	186 / 186	186 / 186	186 / 186	245 / 245

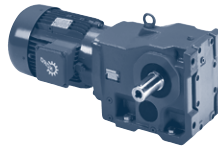


W ⇄ E141

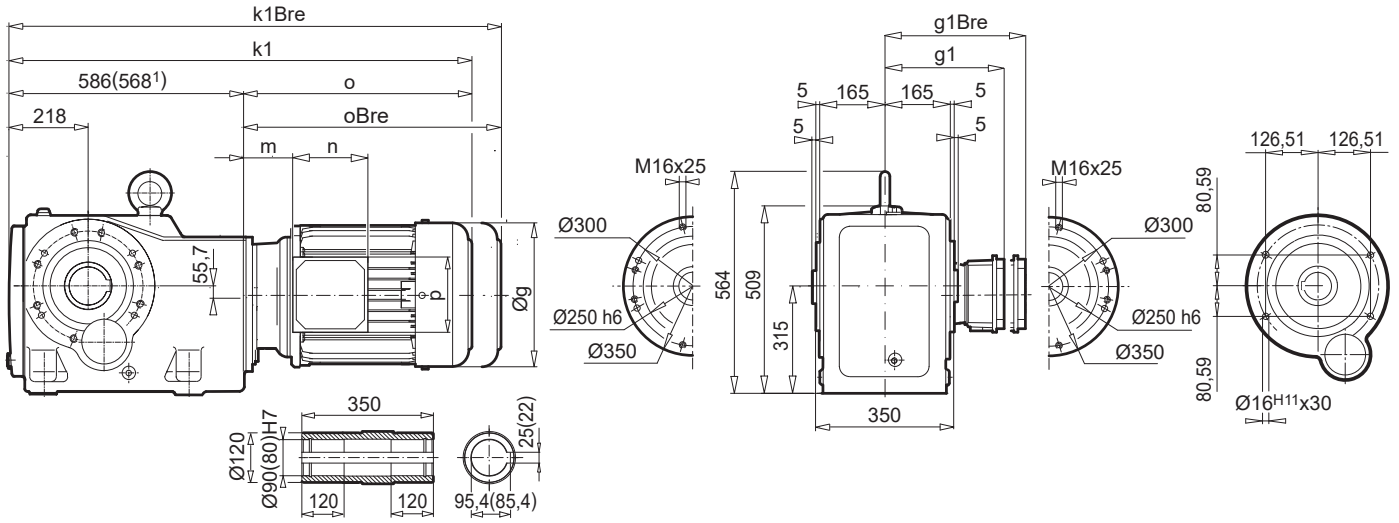


IEC, NEMA
⇄ E149

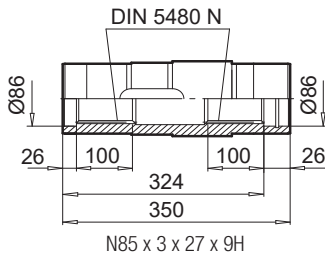
UNICASE™
Helical bevel gear units



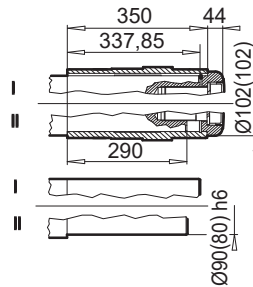
SK 9072.1AZ



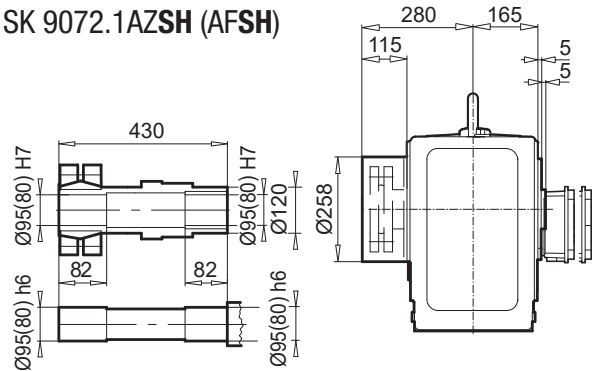
SK 9072.1AZEA



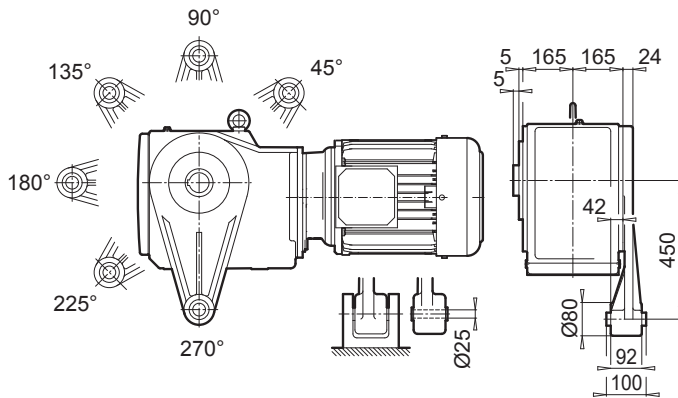
SK 9072.1AZB (AFB)



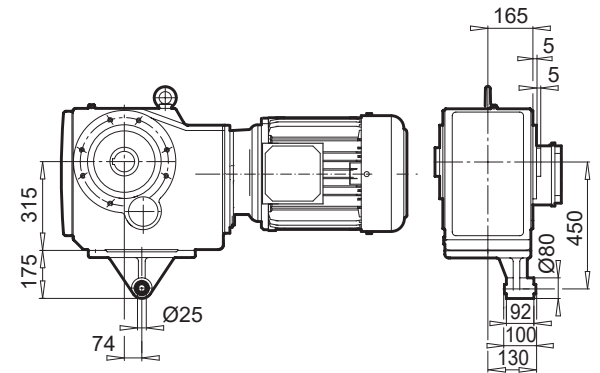
SK 9072.1AZSH (AFSH)



SK 9072.1AZD



SK 9072.1AZK



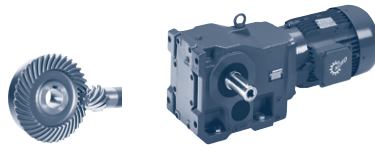
± ⇨ A60	100 LP/AP	112 MP	132 SP/MP	160 SP/MP ¹⁾	160 LP ¹⁾	180 MP/LP ¹⁾	225 RP/SP/MP ¹⁾
g	201	228	266	320	320	358	443
g1 / g1Bre	169 / 173	179 / 182	204 / 201	242 / 242	242 / 242	259 / 259	347 / 347
k1 / k1Bre	892 / 983	937 / 1030	1021 / 1128	1060 / 1195	1011 / 1239	1182 / 1310	1310 / 1490
o / oBre	306 / 397	351 / 444	435 / 542	492 / 627	536 / 671	614 / 742	742 / 922
m / m1Bre	32 / 36	35 / 38	51 / 42	52 / 52	52 / 52	55 / 55	94 / 94
n / nBre	114 / 153	114 / 153	122 / 185	186 / 186	186 / 186	186 / 186	245 / 245
p / p1Bre	114 / 108	114 / 108	122 / 139	186 / 186	186 / 186	186 / 186	245 / 245



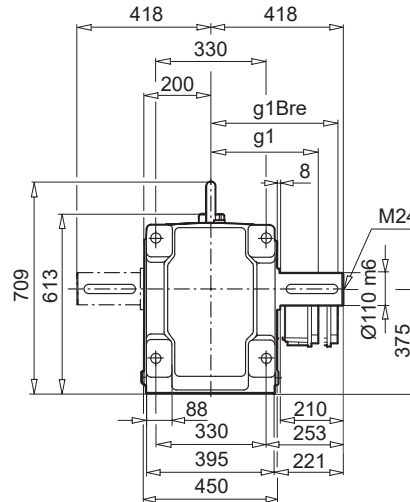
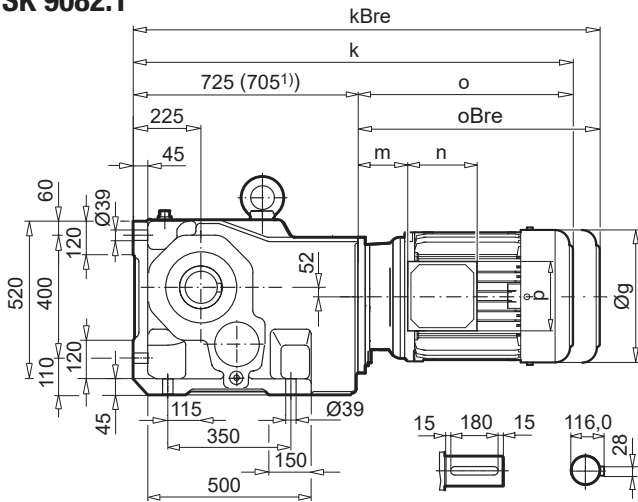
W ⇨ E141
IEC, NEMA
⇨ E149

UNICASE™
Helical bevel gear units

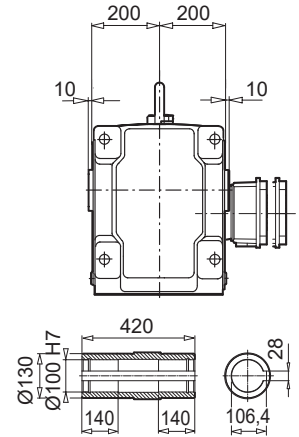
SK 9082.1



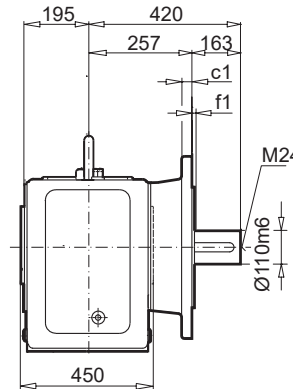
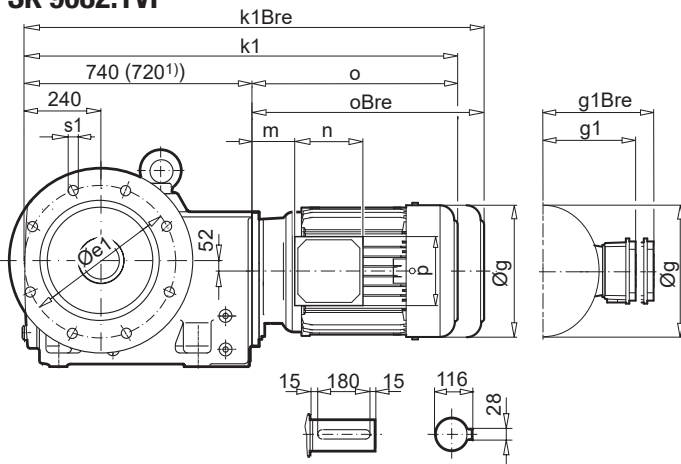
SK 9082.1



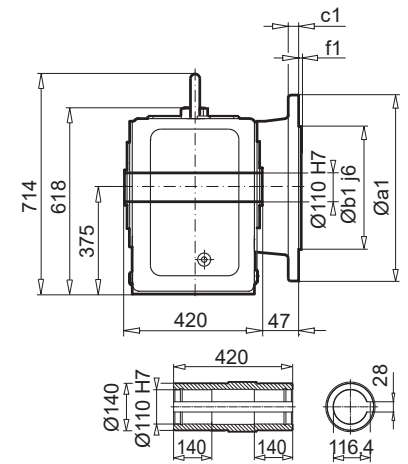
SK 9082.1AX



SK 9082.1VF

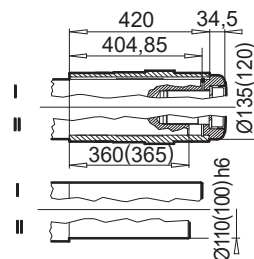


SK 9082.1AF



a1	b1	c1	e1	f1	s1
550	450	28	500	5,0	8 x 18

SK 9082.1AFB (AXB)

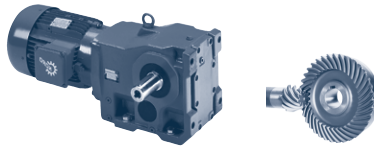


± ⇒ A60	112 MP	132 SP/MP	160 SP/MP	160 LP	180 MP/LP	225 RP/SP/MP	250 WP ¹⁾
g	228	266	320	320	358	443	443
g1 / g1Bre	179 / 182	204 / 201	242 / 242	242 / 242	259 / 259	347 / 347	347 / 347
k / kBre	1076 / 1169	1160 / 1267	1217 / 1352	1261 / 1396	1339 / 1467	1467 / 1647	1447 / 1627
k1 / k1Bre	1091 / 1184	1175 / 1282	1232 / 1367	1276 / 1411	1354 / 1482	1482 / 1662	1462 / 1642
o / oBre	351 / 444	435 / 542	492 / 627	536 / 671	614 / 742	742 / 922	742 / 922
m / m1Bre	35 / 38	51 / 42	52 / 52	52 / 52	55 / 55	94 / 94	94 / 94
n / nBre	114 / 153	122 / 185	186 / 186	186 / 186	186 / 186	245 / 245	245 / 245
p / p1Bre	114 / 108	122 / 139	186 / 186	186 / 186	186 / 186	245 / 245	245 / 245

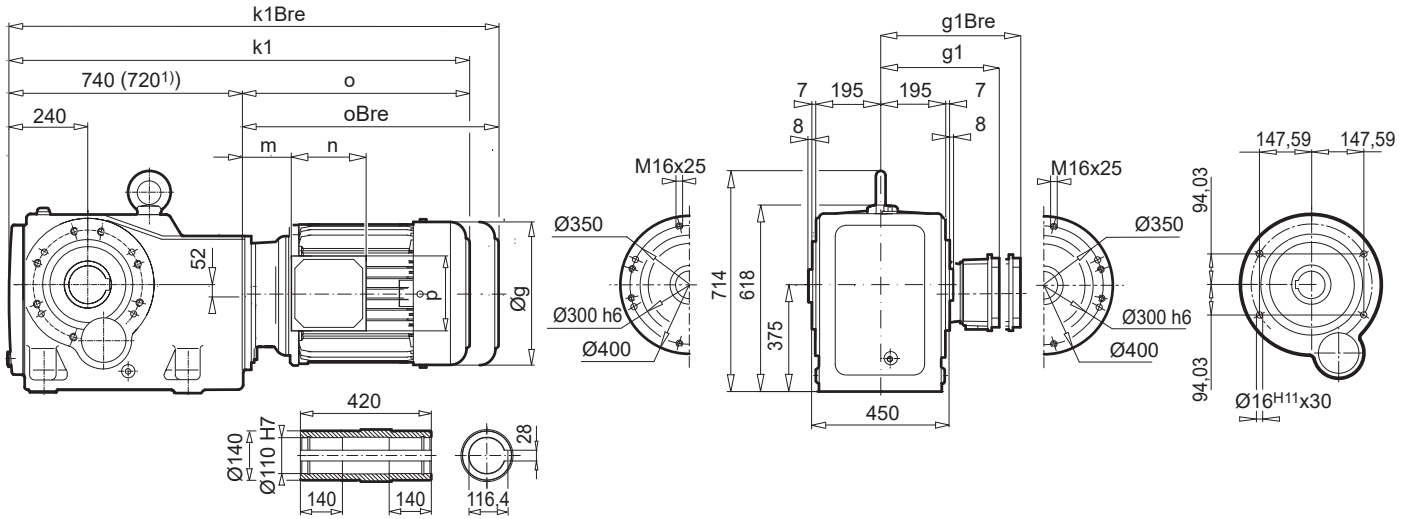


W ⇒ E142
IEC, NEMA ⇒ E149

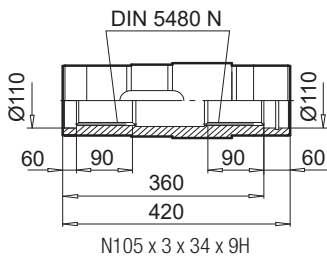
UNICASE™
Helical bevel gear units



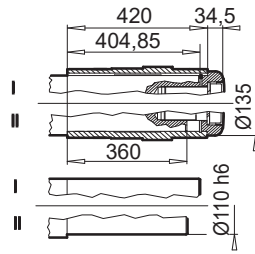
SK 9082.1AZ



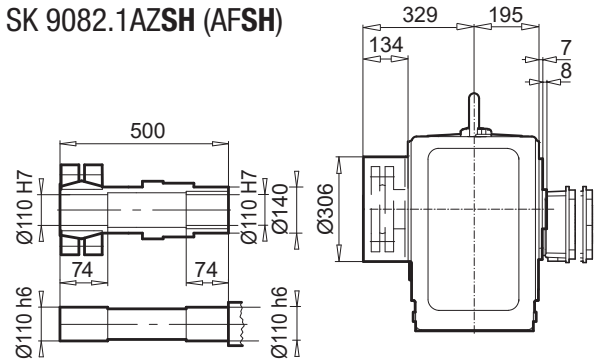
SK 9082.1AZEA



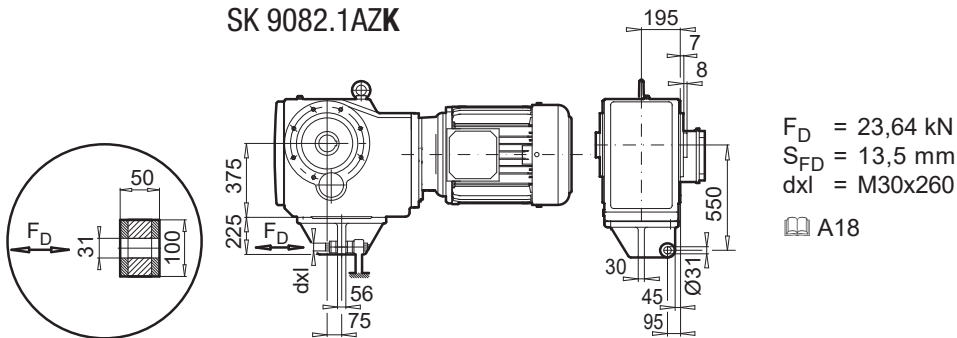
SK 9082.1AZB (AFB)



SK 9082.1AZSH (AFSH)



SK 9082.1AZK



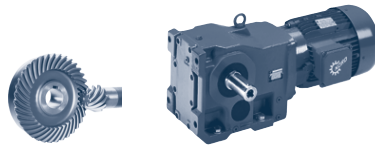
± ⇔ A60	112 MP	132 SP/MP	160 SP/MP	160 LP	180 MP/LP	225 RP/SP/MP	250 WP ¹⁾
g	228	266	320	320	358	443	443
g1 / g1Bre	179 / 182	204 / 201	242 / 242	242 / 242	259 / 259	347 / 347	347 / 347
k1 / k1Bre	1091 / 1184	1175 / 1282	1232 / 1367	1276 / 1411	1354 / 1482	1482 / 1662	1462 / 1642
o / oBre	351 / 444	435 / 542	492 / 627	536 / 671	614 / 742	742 / 922	742 / 922
m / m1Bre	35 / 38	51 / 42	52 / 52	52 / 52	55 / 55	94 / 94	94 / 94
n / nBre	114 / 153	122 / 185	186 / 186	186 / 186	186 / 186	245 / 245	245 / 245
p / p1Bre	114 / 108	122 / 139	186 / 186	186 / 186	186 / 186	245 / 245	245 / 245



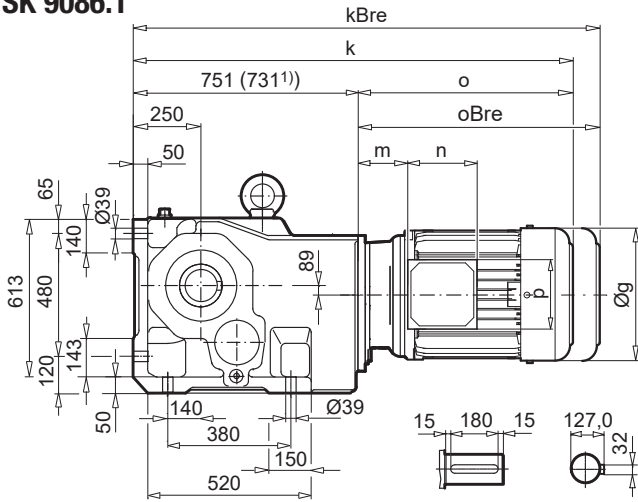
W ⇔ E142
IEC, NEMA ⇔ E149



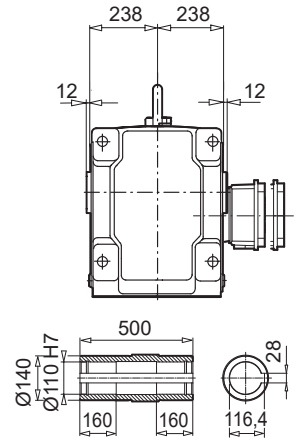
SK 9086.1



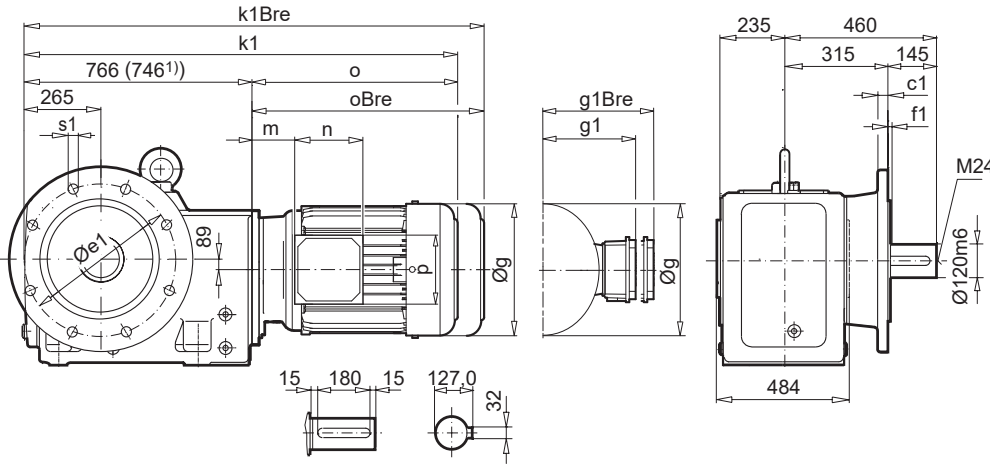
SK 9086.1



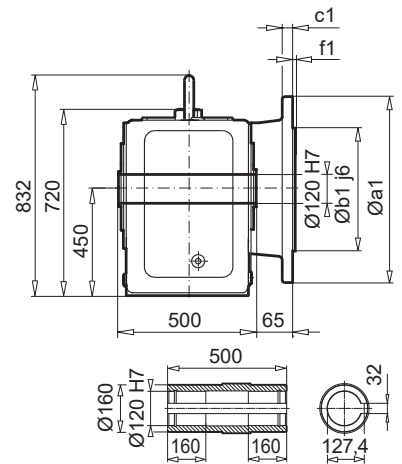
SK 9086.1AX



SK 9086.1VF

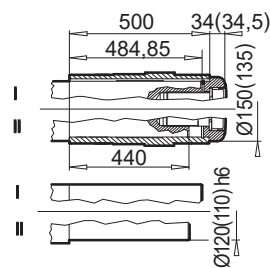


SK 9086.1AF



a1	b1	c1	e1	f1	s1
660	550	32	600	6,0	8 x 22

SK 9086.1AFB (AXB)



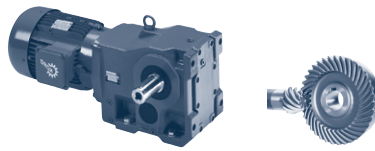
± ⇨ A60	132 SP/MP	160 SP/MP	160 LP	180 MP/LP	225 RP/SP/MP	250 WP ¹⁾
g	266	320	320	358	443	443
g1 / g1Bre	204 / 201	242 / 242	242 / 242	259 / 259	347 / 347	347 / 347
k / kBre	1186 / 1293	1243 / 1378	1287 / 1422	1365 / 1493	1493 / 1673	1473 / 1653
k1 / k1Bre	1201 / 1308	1258 / 1393	1302 / 1437	1380 / 1508	1508 / 1688	1488 / 1668
o / oBre	435 / 542	492 / 627	536 / 671	614 / 742	742 / 922	742 / 922
m / m1Bre	71 / 62	52 / 52	52 / 52	55 / 55	94 / 94	94 / 94
n / nBre	122 / 185	186 / 186	186 / 186	186 / 186	245 / 245	245 / 245
p / p1Bre	122 / 139	186 / 186	186 / 186	186 / 186	245 / 245	245 / 245



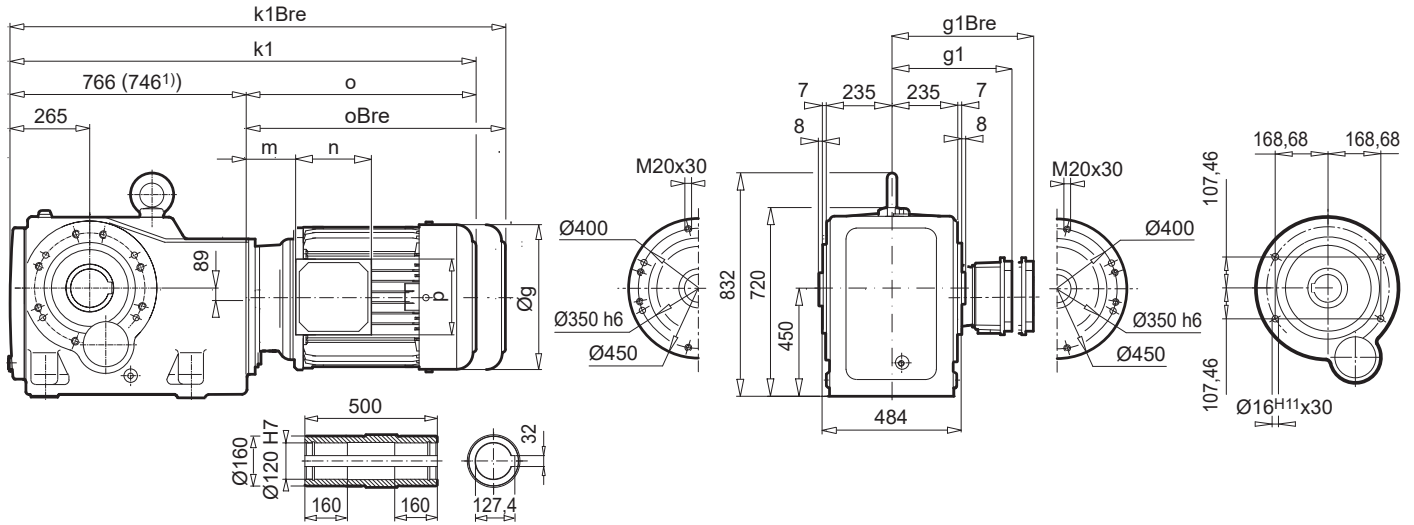
W ⇨ A142
IEC, NEMA ⇨ E150



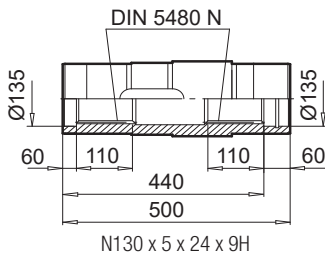
UNICASE™
Helical bevel gear units



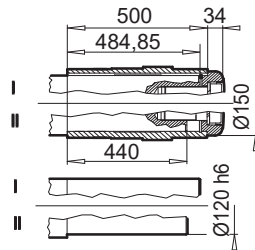
SK 9086.1AZ



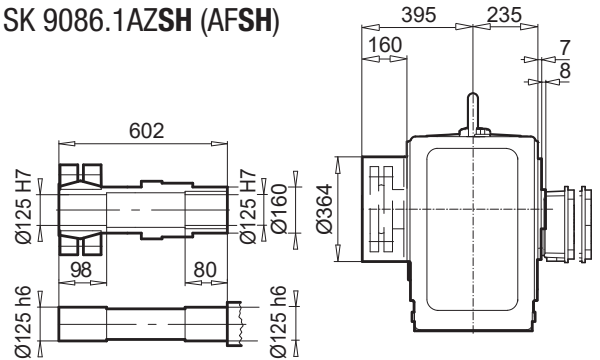
SK 9086.1AZEA



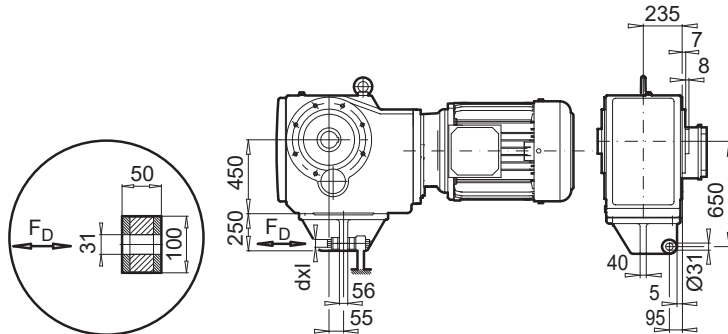
SK 9086.1AZB (AFB)



SK 9086.1AZSH (AFSH)



SK 9086.1AZK



$F_D = 30,77 \text{ kN}$
 $S_{FD} = 17,6 \text{ mm}$
 $dxl = M30x260$

A2

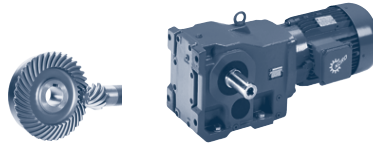
± ⇨ A60	132 SP/MP	160 SP/MP	160 LP	180 MP/LP	225 RP/SP/MP	250 WP ¹⁾
g	266	320	320	358	443	443
g1 / g1Bre	204 / 201	242 / 242	242 / 242	259 / 259	347 / 347	347 / 347
k1 / k1Bre	1201 / 1308	1258 / 1393	1302 / 1437	1380 / 1508	1508 / 1688	1488 / 1668
o / oBre	435 / 542	492 / 627	536 / 671	614 / 742	742 / 922	742 / 922
m / m1Bre	71 / 62	52 / 52	52 / 52	55 / 55	94 / 94	94 / 94
n / nBre	122 / 185	186 / 186	186 / 186	186 / 186	245 / 245	245 / 245
p / p1Bre	122 / 139	186 / 186	186 / 186	186 / 186	245 / 245	245 / 245



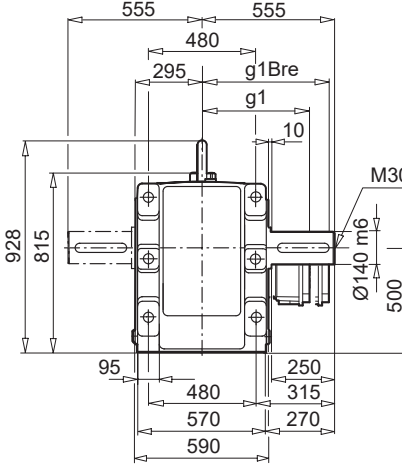
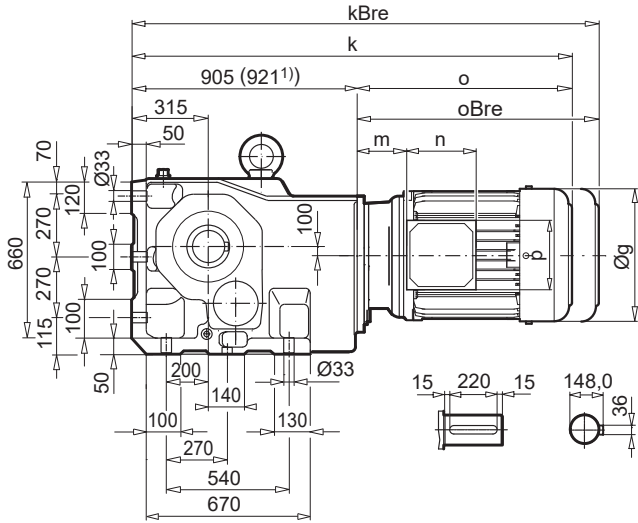
W ⇨ E142
 IEC, NEMA ⇨ E150



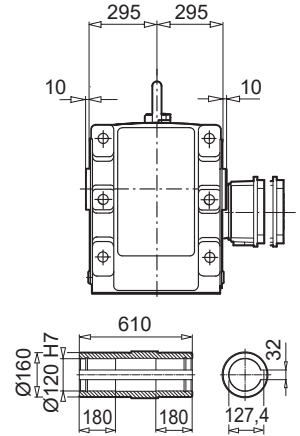
SK 9092.1



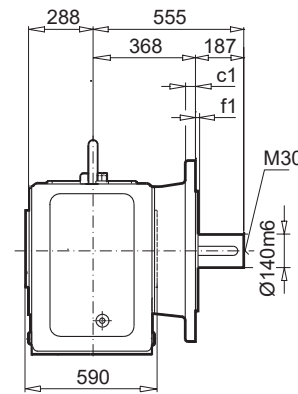
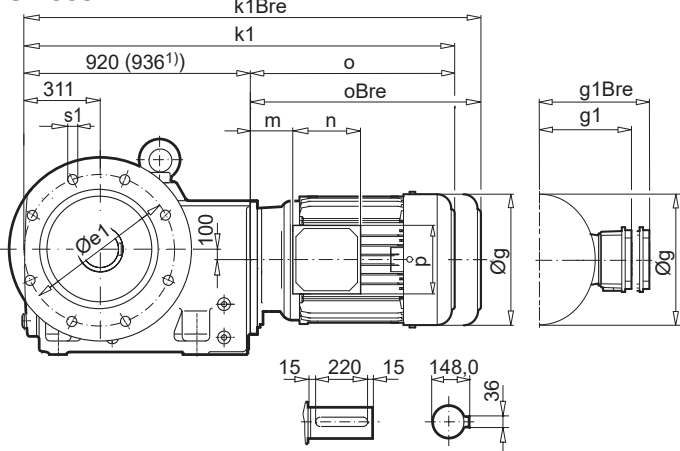
SK 9092.1



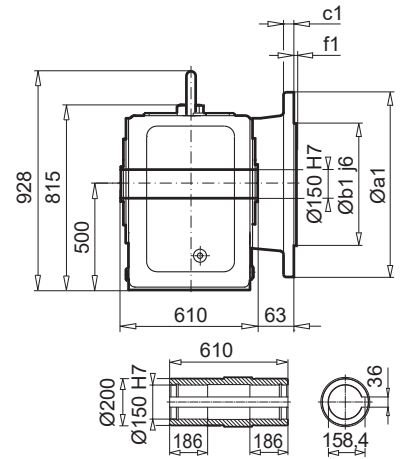
SK 9092.1AX



SK 9092.1VF

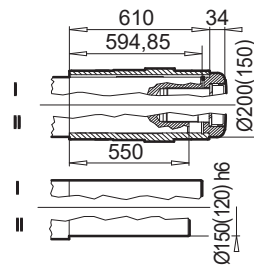


SK 9092.1AF



a1	b1	c1	e1	f1	s1
660	550	32	600	6,0	8 x 22

SK 9092.1AFB (AXB)



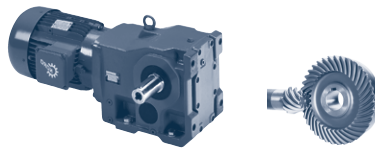
± ⇔ A60	160 SP/MP	160 LP	180 MP/LP	225 RP/SP/MP	250 WP¹)
g	320	320	358	443	443
g1 / g1Bre	242 / 242	242 / 242	259 / 259	347 / 347	347 / 347
k / kBre	1397 / 1532	1441 / 1576	1518 / 1644	1647 / 1827	1663 / 1843
k1 / k1Bre	1412 / 1547	1456 / 1591	1534 / 1660	1662 / 1842	1678 / 1858
o / oBre	492 / 627	536 / 671	614 / 742	742 / 922	742 / 922
m / m1Bre	52 / 52	52 / 52	55 / 55	94 / 94	94 / 94
n / nBre	186 / 186	186 / 186	186 / 186	245 / 245	245 / 245
p / p1Bre	186 / 186	186 / 186	186 / 186	245 / 245	245 / 245



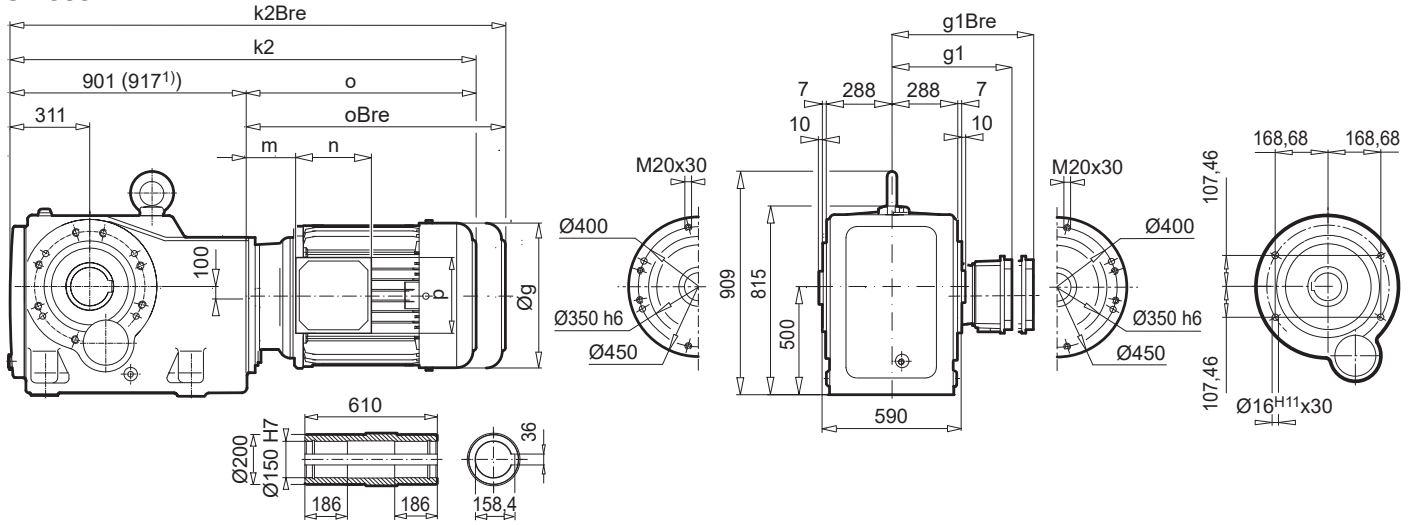
W ⇔ E142
IEC, NEMA ⇔ E150



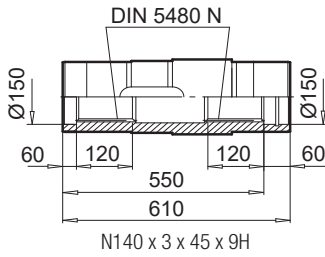
UNICASE™
Helical bevel gear units



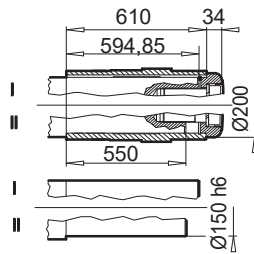
SK 9092.1AZ



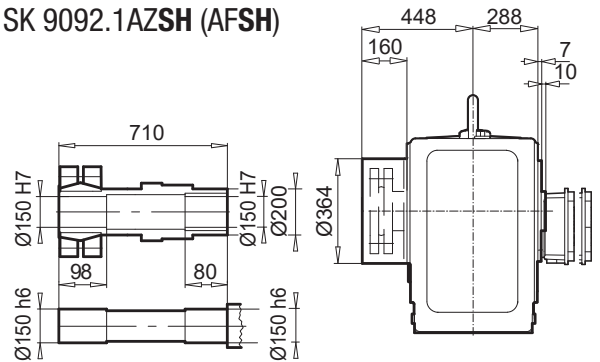
SK 9092.1AZEA



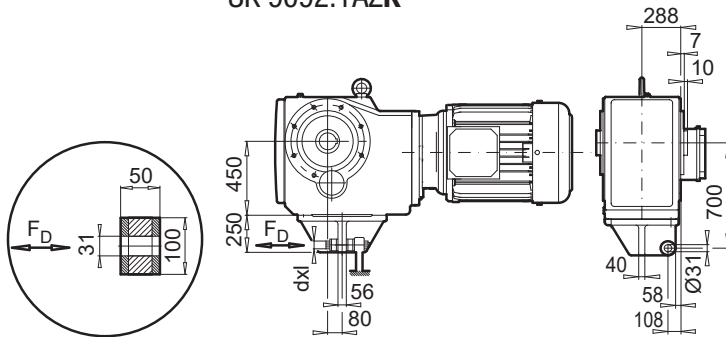
SK 9092.1AZB (AFB)



SK 9092.1AZSH (AFSH)



SK 9092.1AZK



$F_D = 45,71 \text{ kN}$
 $S_{FD} = 26,2 \text{ mm}$
 $d_{xl} = M30 \times 260$
 A18

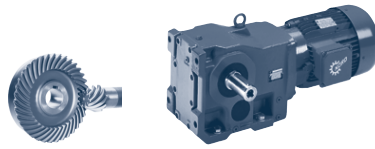
± ⇒ A60	160 SP/MP	160 LP	180 MP/LP	225 RP/SP/MP	250 WP ¹⁾
g	320	320	358	443	443
g1 / g1Bre	242 / 242	242 / 242	259 / 259	347 / 347	347 / 347
k2 / k2Bre	1393 / 1528	1437 / 1572	1514 / 1640	1643 / 1823	1659 / 1839
o / oBre	492 / 627	536 / 671	614 / 742	742 / 922	742 / 922
m / m1Bre	52 / 52	52 / 52	55 / 55	94 / 94	94 / 94
n / nBre	186 / 186	186 / 186	186 / 186	245 / 245	245 / 245
p / p1Bre	186 / 186	186 / 186	186 / 186	245 / 245	245 / 245



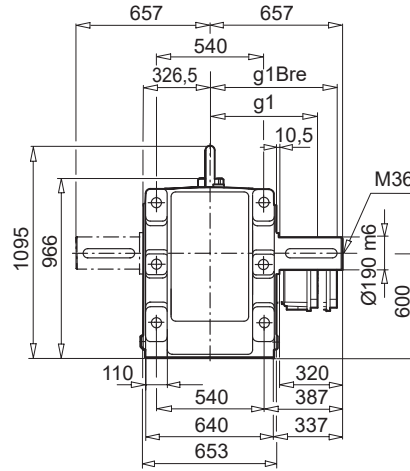
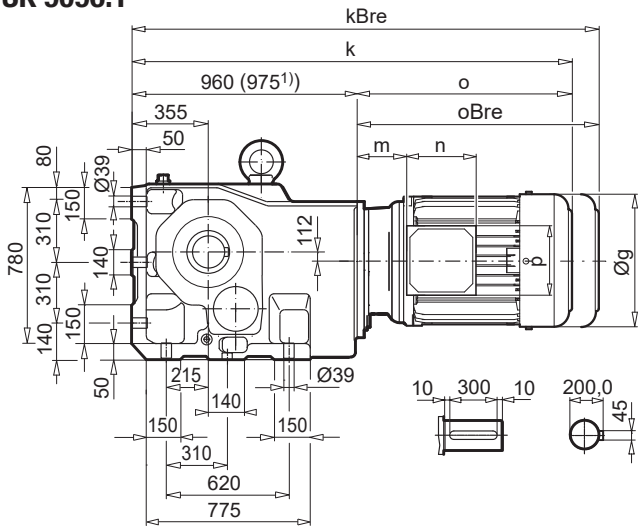
W ⇒ E142
IEC, NEMA ⇒ E150



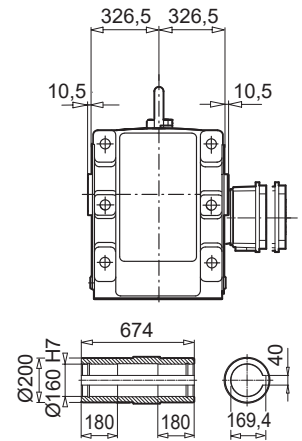
SK 9096.1



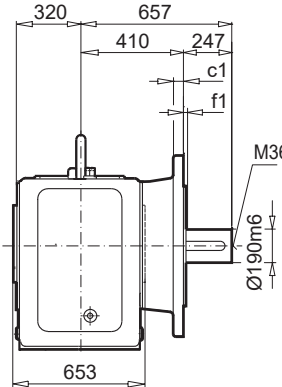
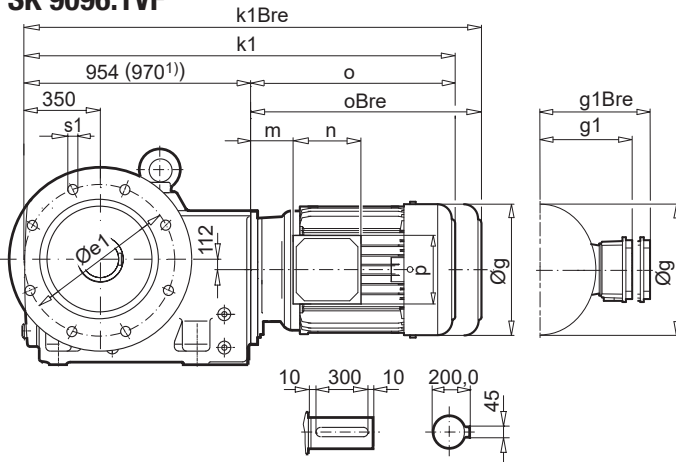
SK 9096.1



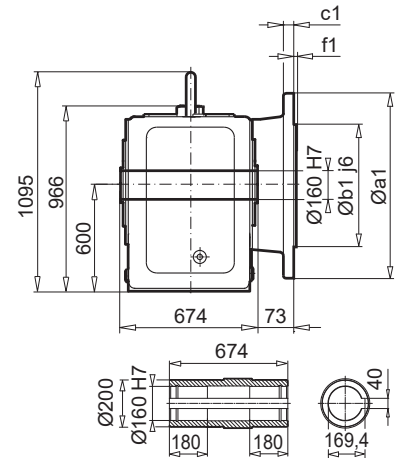
SK 9096.1AX



SK 9096.1VF

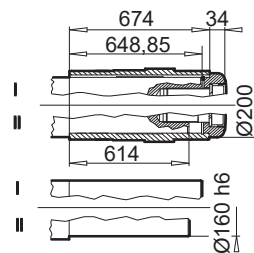


SK 9096.1AF



a1	b1	c1	e1	f1	s1
660	550	35	600	8,0	8 x 26

SK 9096.1AFB (AXB)

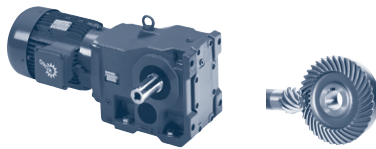


± → A60	160 SP/MP	160 LP	180 MP/LP	225 RP/SP/MP	250 WP ¹⁾
g	320	320	358	443	443
g1 / g1Bre	242 / 242	242 / 242	259 / 259	347 / 347	347 / 347
k / kBre	1452 / 1587	1496 / 1631	1574 / 1702	1702 / 1882	1717 / 1897
k1 / k1Bre	1446 / 1581	1490 / 1625	1568 / 1696	1696 / 1876	1712 / 1892
o / oBre	492 / 627	536 / 671	614 / 742	742 / 922	742 / 922
m / m1Bre	52 / 52	52 / 52	55 / 55	94 / 94	94 / 94
n / nBre	186 / 186	186 / 186	186 / 186	245 / 245	245 / 245
p / p1Bre	186 / 186	186 / 186	186 / 186	245 / 245	245 / 245

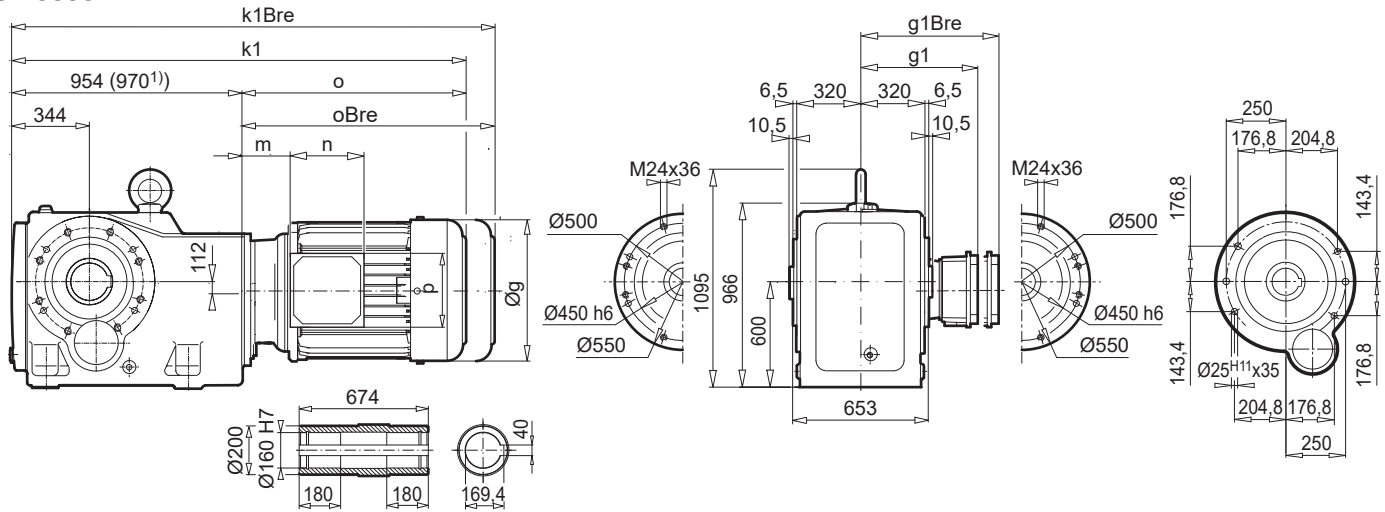


W → E142
IEC, NEMA → E150

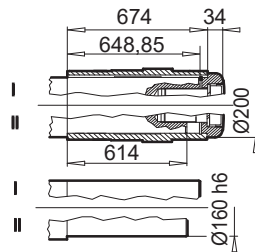




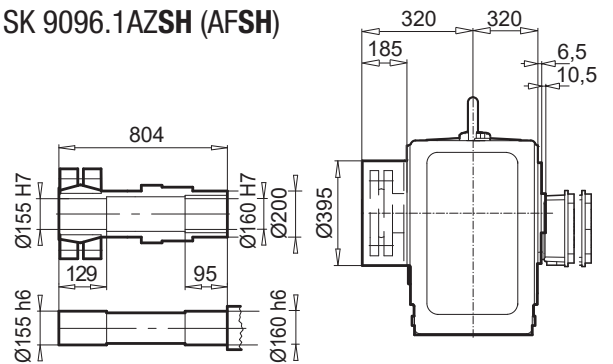
SK 9096.1AZ



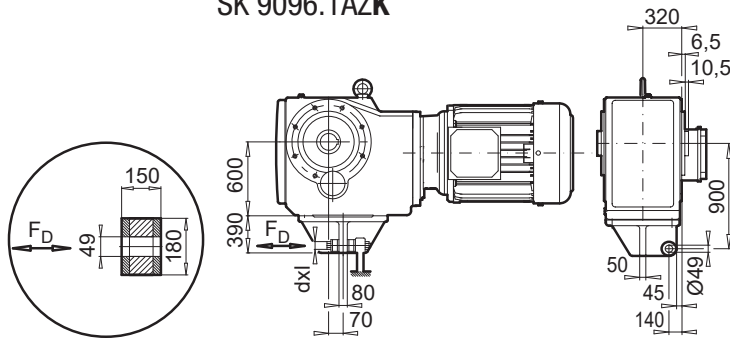
SK 9096.1AZB (AFB)



SK 9096.1AZSH (AFSH)



SK 9096.1AZK



$F_D = 55,56 \text{ kN}$
 $S_{FD} = 27,0 \text{ mm}$
 $d_{xl} = M48 \times 520$
 A26

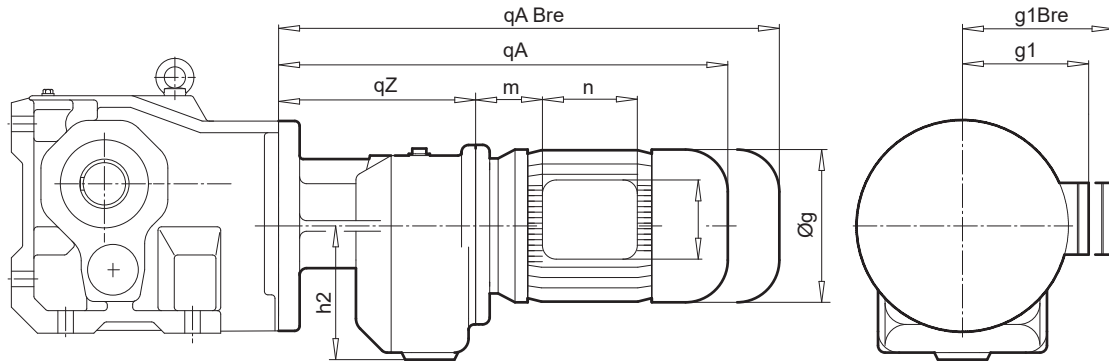
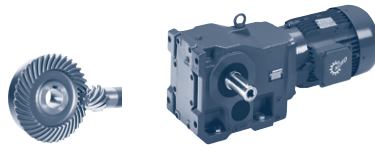
± ⇒ A60	160 SP/MP	160 LP	180 MP/LP	225 RP/SP/MP	250 WP ¹⁾
g	320	320	358	443	443
g1 / g1Bre	242 / 242	242 / 242	259 / 259	347 / 347	347 / 347
k1 / k1Bre	1446 / 1581	1490 / 1625	1568 / 1696	1696 / 1876	1712 / 1892
o / oBre	492 / 627	536 / 671	614 / 742	742 / 922	742 / 922
m / m1Bre	52 / 52	52 / 52	55 / 55	94 / 94	94 / 94
n / nBre	186 / 186	186 / 186	186 / 186	245 / 245	245 / 245
p / p1Bre	186 / 186	186 / 186	186 / 186	245 / 245	245 / 245



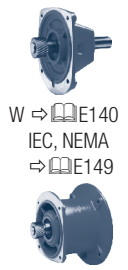
W ⇒ E142
 IEC, NEMA ⇒ E1506



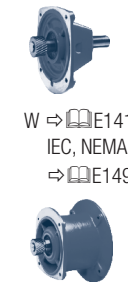
SK 9072.1/32- SK 9092.1/52



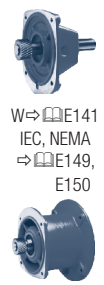
⇒ A60	SK 9072.1/32						
	71 LP	80 SP	80 LP	90 SP/LP	100 LP/AP	112 MP	132 SP
g	145	165	165	184	202	226	264
g1 / g1Bre	124 / 134	142 / 142	142 / 142	148 / 148	170 / 172	180 / 182	204 / 202
qA / qABre	449 / 507	474 / 538	474 / 538	515 / 590	545 / 636	593 / 687	654 / 761
o / oBre	230 / 288	255 / 319	255 / 319	296 / 371	326 / 417	374 / 468	435 / 542
qz	219						
m / mBre	36 / 42	41 / 44	41 / 44	46 / 49	52 / 55	58 / 61	71 / 62
n / nBre	100 / 134	114 / 153	114 / 153	114 / 153	114 / 153	114 / 153	122 / 185
p / pBre	100 / 89	114 / 108	114 / 108	114 / 108	114 / 108	114 / 108	122 / 139
h2	155						
⇒ E124	SK 9072.1 ⇒ E124						



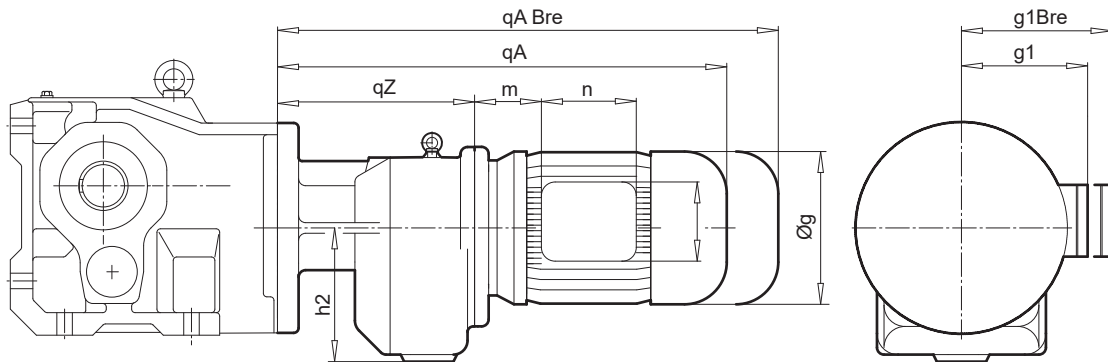
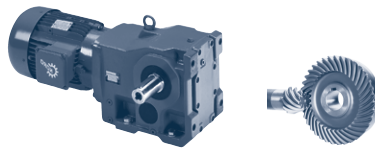
⇒ A60	SK 9072.1/42				SK 9082.1/42				
	90 SP/LP	100 LP/AP	112 MP	132 MP	90 SP/LP	100 LP/AP	112 MP	132 SP	160 SP
g	184	202	226	264	184	164	226	264	320
g1 / g1Bre	148 / 148	170 / 172	180 / 182	204 / 202	148 / 148	142 / 142	180 / 182	204 / 202	242 / 242
qA / qABre	536 / 611	566 / 657	614 / 707	675 / 782	536 / 611	566 / 657	614 / 707	675 / 782	752 / 887
o / oBre	276 / 351	306 / 397	354 / 447	415 / 522	276 / 351	306 / 397	354 / 447	415 / 522	492 / 627
qz	260				260				
m / mBre	26 / 30	32 / 35	38 / 41	51 / 42	26 / 30	32 / 35	38 / 41	51 / 42	52 / 52
n / nBre	114 / 153	114 / 153	114 / 153	122 / 185	114 / 153	114 / 153	114 / 153	122 / 185	186 / 186
p / pBre	114 / 108	114 / 108	114 / 108	122 / 139	114 / 108	114 / 108	114 / 108	122 / 139	186 / 186
h2	175				175				
⇒ E124	SK 9072.1 ⇒ E124				SK 9082.1 ⇒ E126				



⇒ A60	SK 9082.1/52 *, SK 9086.1/52							SK 9092.1/52						
	90 SP/LP	100 LP/AP*	112 MP*	132 SP/MP*	160 SP/MP*	160 LP*	180 MP/LP*	90 SP/LP	100 LP/AP	112 MP	132 SP/MP	160 SP/MP	160 LP	180 MP/LP
g	184	202	226	264	320	320	358	184	202	226	264	320	320	358
g1 / g1Bre	148 / 148	170 / 172	180 / 182	204 / 202	242 / 242	242 / 242	259 / 259	148 / 148	170 / 172	180 / 182	204 / 202	242 / 242	242 / 242	259 / 259
qA / qABre	576 / 651	606 / 697	654 / 747	715 / 822	792 / 927	836 / 971	934 / 1062	536 / 611	566 / 657	614 / 708	675 / 782	752 / 887	836 / 971	934 / 1062
o / oBre	276 / 351	306 / 397	354 / 447	415 / 522	492 / 627	536 / 671	634 / 762	276 / 351	306 / 397	354 / 448	415 / 522	492 / 627	536 / 671	634 / 762
qz	299							299						
m / mBre	26 / 30	32 / 35	38 / 41	51 / 42	52 / 52	52 / 52	74 / 74	26 / 30	32 / 35	38 / 41	51 / 42	52 / 52	52 / 52	74 / 74
n / nBre	114 / 153	114 / 153	114 / 153	122 / 185	186 / 186	186 / 186	186 / 186	114 / 153	114 / 153	114 / 153	122 / 185	186 / 186	186 / 186	186 / 186
p / pBre	114 / 108	114 / 108	114 / 108	122 / 139	186 / 186	186 / 186	186 / 186	114 / 108	114 / 108	114 / 108	122 / 139	186 / 186	186 / 186	186 / 186
h2	212							212						
⇒ E126	SK 9082.1 ⇒ E126 , SK 9086.1 ⇒ E128							SK 9092.1 ⇒ E130						



UNICASE™
Helical bevel gear units



⇒ A60	SK 9096.1/62						
	100 LP/AP	112 MP	132 SP/MP	160 SP/MP	160 LP	180 MP/LP	225 RP/SP/MP
g	202	226	264	320	320	358	443
g1 / g1Bre	170 / 172	180 / 182	204 / 202	242 / 242	242 / 242	259 / 259	347 / 347
qA / qABre	707 / 798	755 / 848	816 / 923	893 / 1028	937 / 1072	1015 / 1118	1143 / 1323
o / oBre	306 / 397	354 / 447	415 / 522	492 / 627	536 / 671	616 / 744	742 / 922
qz	400						
m / mBre	32 / 35	38 / 41	51 / 42	52 / 52	52 / 52	55 / 55	94 / 94
n / nBre	114 / 153	114 / 153	122 / 185	186 / 186	186 / 186	186 / 186	245 / 245
p / pBre	114 / 108	114 / 108	122 / 139	186 / 186	186 / 186	186 / 186	245 / 245
h2	245						
⇒ E132	SK 9096.1 ⇒ E132						



W ⇒ E141
IEC, NEMA
⇒ E150



UNICASE™
Helical bevel gear units

⇒ A60	SK 9096.1/63		
	90 SP/LP	100 LP/AP	112 MP
g	184	202	226
g1 / g1Bre	148 / 148	170 / 172	180 / 182
qA / qABre	650 / 725	680 / 771	728 / 821
o / oBre	276 / 351	306 / 397	354 / 447
qz	374		
m / mBre	26 / 30	32 / 35	38 / 41
n / nBre	114 / 153	114 / 153	114 / 153
p / pBre	114 / 108	114 / 108	114 / 108
h2	245		
⇒ E132	SK 9096.1 ⇒ E132		



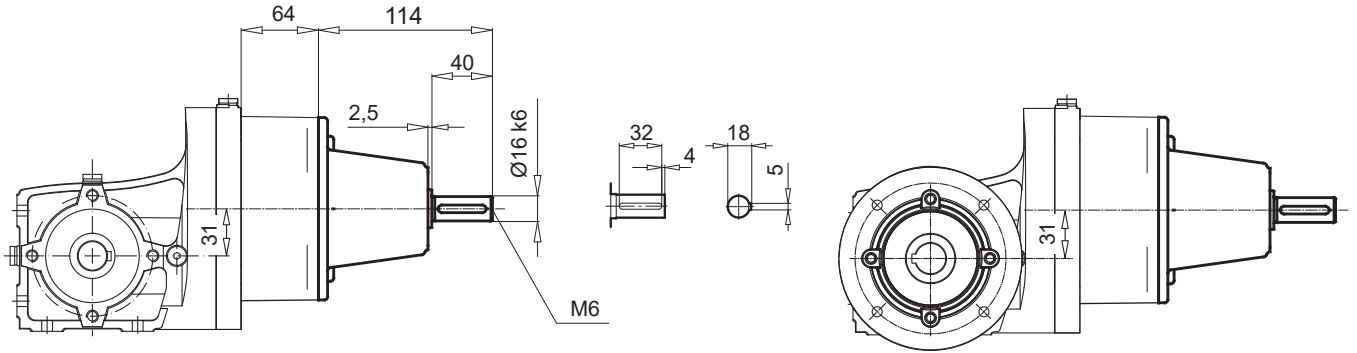
W ⇒ E141
IEC, NEMA
⇒ E150



W



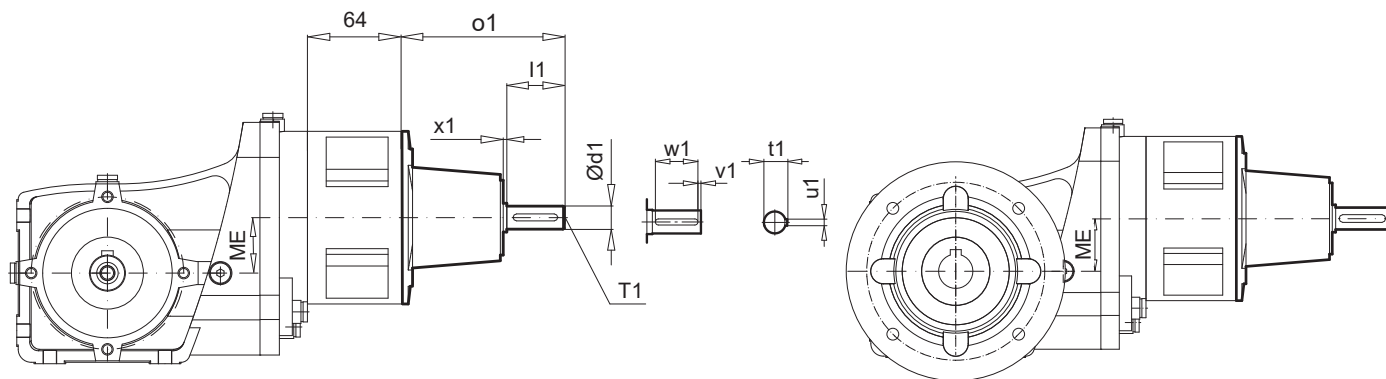
SK 920072.1 - W
SK 92072.1 - W



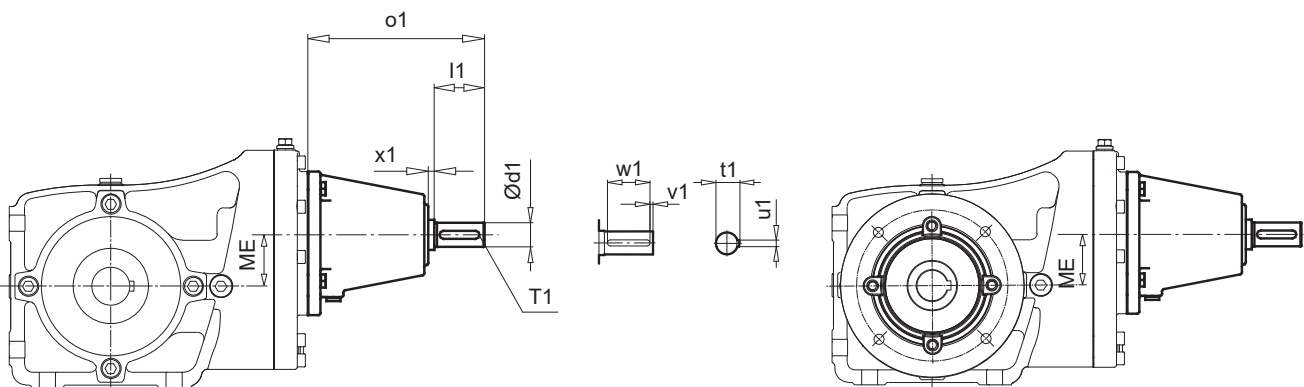
Type	⇒ 📖
SK 920072.1	E76
SK 92072.1	E78



SK 92172.1 - W



SK 92372.1 - W
SK 92672.1 - W
SK 92772.1 - W

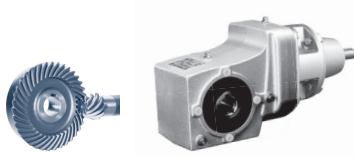


Type	
SK 92172.1	E80
SK 92372.1	E82
SK 92672.1	E84
SK 92772.1	E86

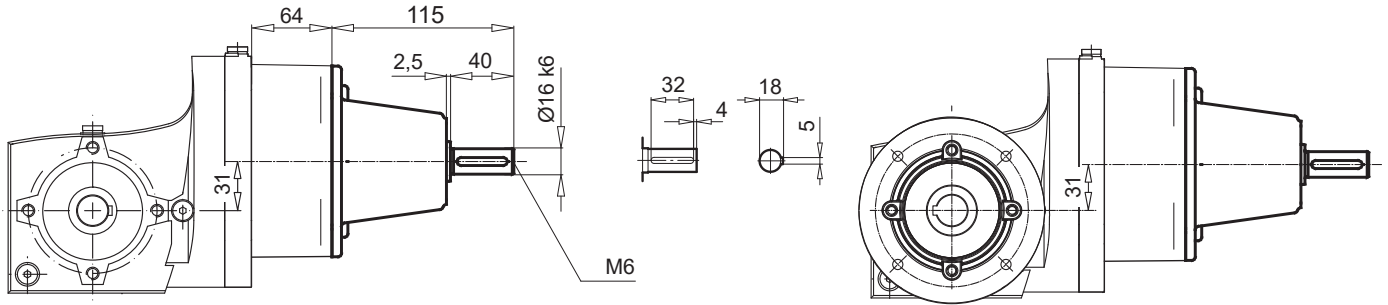
Type	ME	Ø d1 ^{k6}	l1	o1	x1	u1	t1	v1	w1	T1
SK 92172.1	39	16	40	114	2,5	5	18	4	32	M6
SK 92372.1	45	24	50	178	8	8	27	5	40	M8
SK 92672.1	57	24	50	178	8	8	27	5	40	M8
SK 92772.1	77	24	50	178	8	8	27	5	40	M8

NORDBLOC.1 Helical bevel gear units

W



SK 930072.1 - W
SK 93072.1 - W

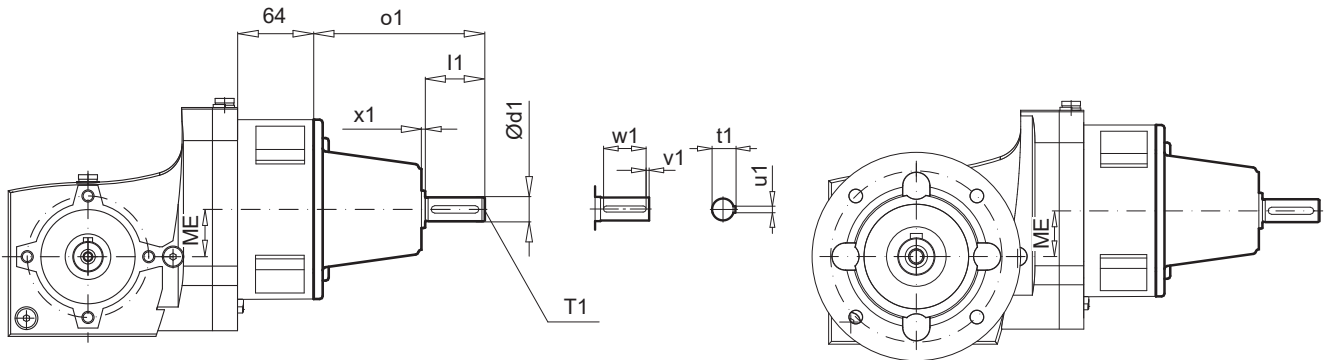


Type	→ 📖
SK 930072.1	E88
SK 93072.1	E90

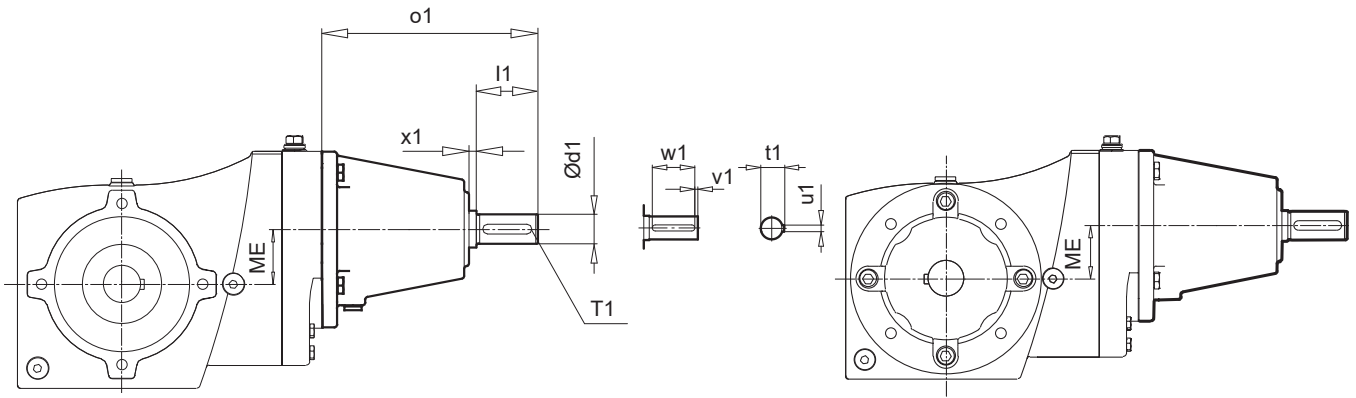
NORDBLOC.1 Helical
bevel gear units



SK 93172.1 - W



SK 93372.1 - W
SK 93672.1 - W
SK 93772.1 - W

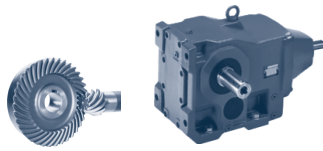


Type	→
SK 93172.1	E92
SK 93372.1	E94
SK 93672.1	E96
SK 93772.1	E98

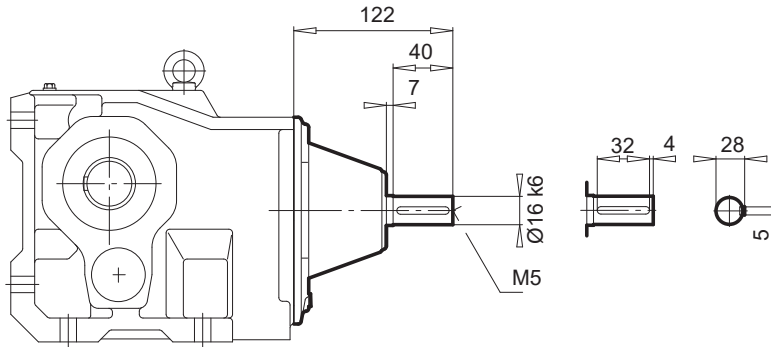
NORDBLOC.1 Helical bevel gear units

Type	ME	Ø d1 ^{k6}	l1	o1	x1	u1	t1	v1	w1	T1
SK 93172.1	39	16	40	114	2,5	5	18	4	32	M6
SK 93372.1	45	24	50	178	8	8	27	5	40	M8
SK 93672.1	57	24	50	178	8	8	27	5	40	M8
SK 93772.1	77	24	50	178	8	8	27	5	40	M8

W

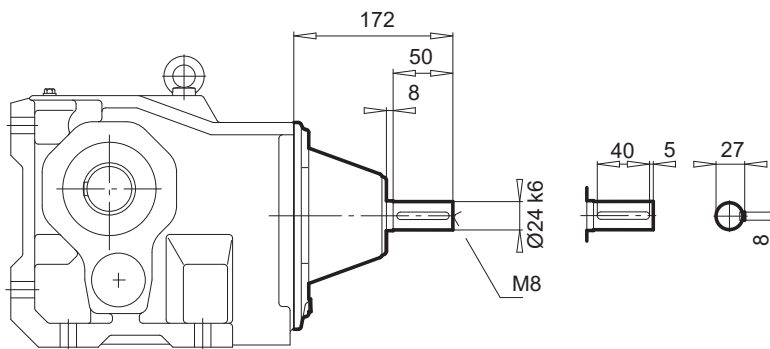


SK ... - W

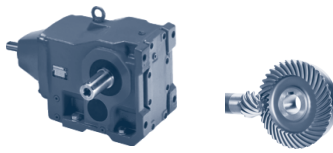


Type	⇒
SK 9012.1	E100
SK 9013.1	E102
SK 9016.1	E104
SK 9017.1	E106
SK 9022.1	E108
SK 9023.1	E110
SK 9033.1	E114

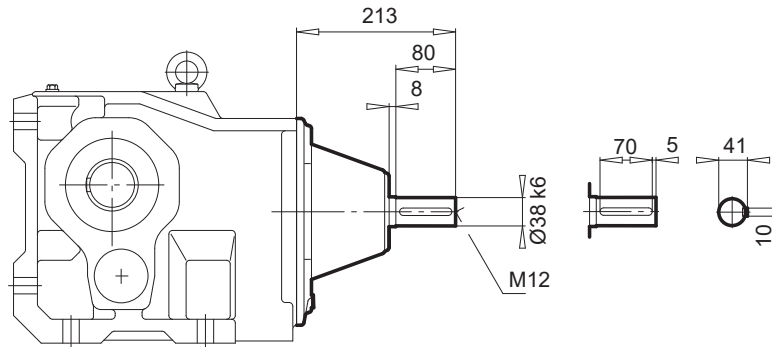
UNICASE™
Helical bevel gear units



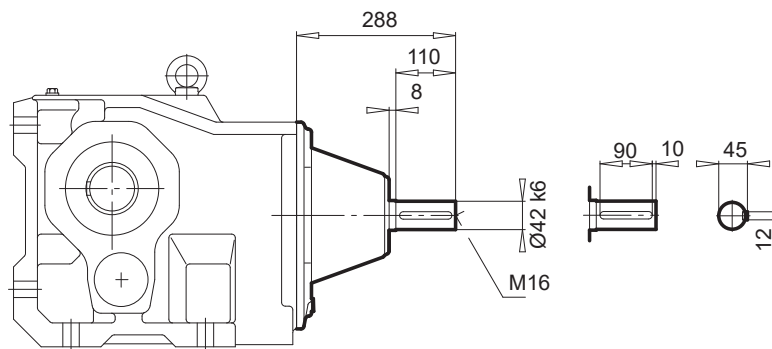
Type	⇒
SK 9032.1	E112
SK 9043.1	E118
SK 9053.1	E122
SK 9072.1/32	E134



SK ... - W

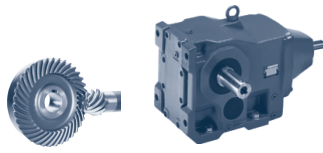


Type	⇒	📖
SK 9042.1	E116	
SK 9052.1	E120	
SK 9072.1/42	E134	
SK 9082.1/42	E134	
SK 9082.1/52	E134	
SK 9086.1/52	E134	
SK 9092.1/52	E134	

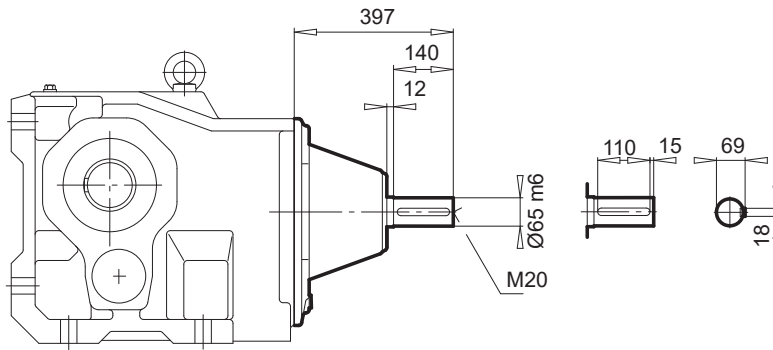


Type	⇒	📖
SK 9072.1	E124	
SK 9096.1/62	E135	

W

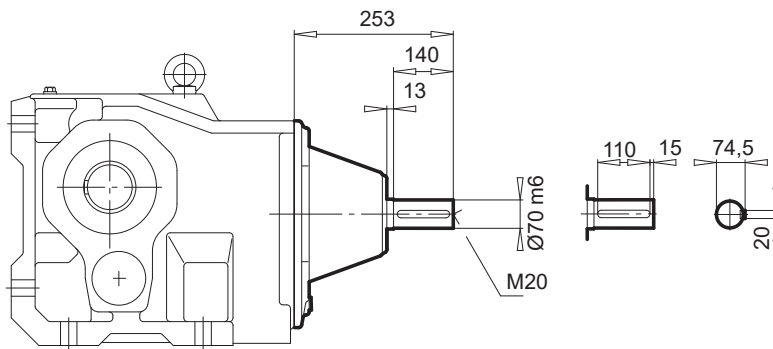


SK ... - W

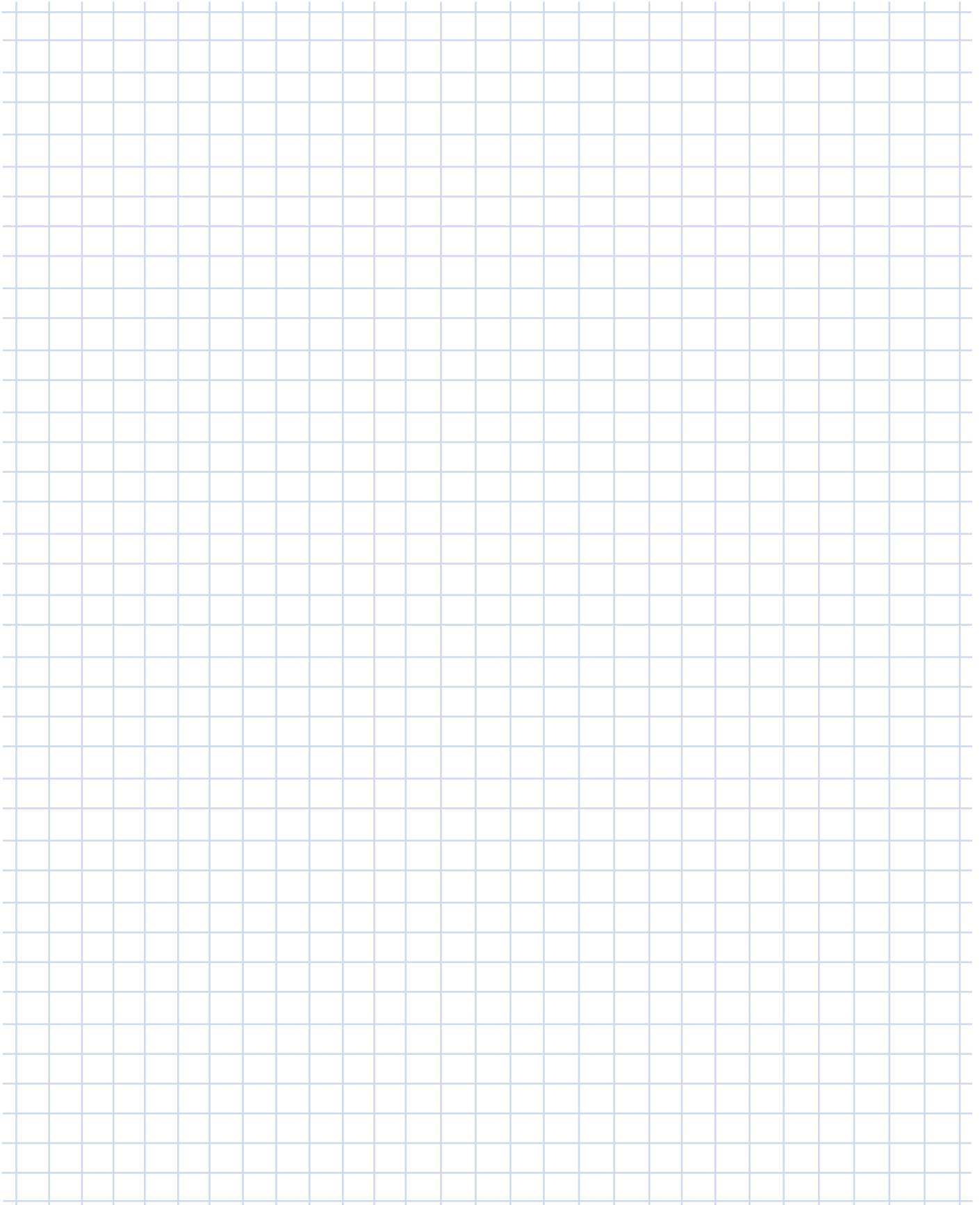


Type	⇒
SK 9082.1	E126
SK 9086.1	E128
SK 9092.1	E130

UNICASE™
Helical bevel gear units



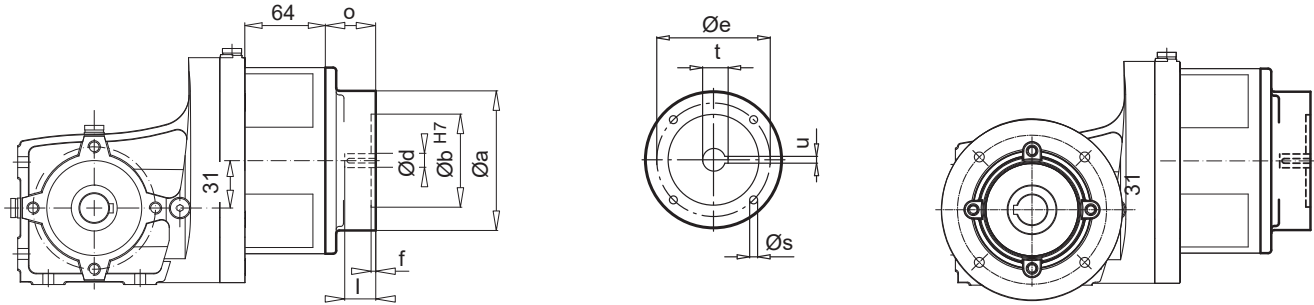
Type	⇒
SK 9096.1	E132



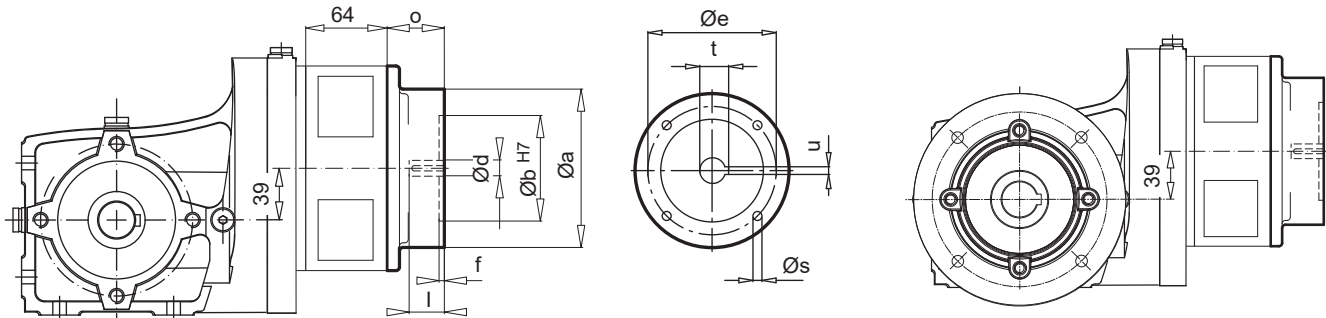


SK 920072.1 - IEC 56 ... 80

SK 92072.1 - IEC 56 ... 80



SK 92172.1 - IEC 56 ... 90



IEC	Ø a	Ø b	Ø e	f	s	o	Ø d	l	t	u
56 - C105	105	70	85	4	7	32				
56 - A120	120	80	100	4	7	32	9	20	11,4	3
63 - C90 *	90	60	75	4	6	32				
63 - C120	120	80	100	4	7	32	11	23	12,8	4
63 - A140	140	95	115	4	9	32				
71 - C105 *	105	70	85	4	7	32				
71 - C140	140	95	115	4	9	32	14	30	16,3	5
71 - A160	160	110	130	4	9	32				
80 - C120 *	120	80	100	4	7	32				
80 - C160	160	110	130	4	9	32	19	40	21,8	6
80 - A200	200	130	165	4	10	32				
90 - C140 *	140	95	115	4	9	46				
90 - C160	160	110	130	4	9	46	24	50	27,3	8
90 - A200	200	130	165	4	10	46				

* IEC-preferential series

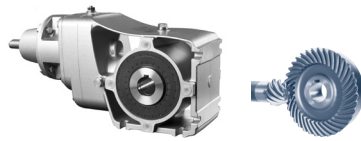
SK 920072.1 - NEMA N56C, N140TC

SK 92072.1 - NEMA N56C, N140TC

SK 92172.1 - NEMA N56C, N140TC

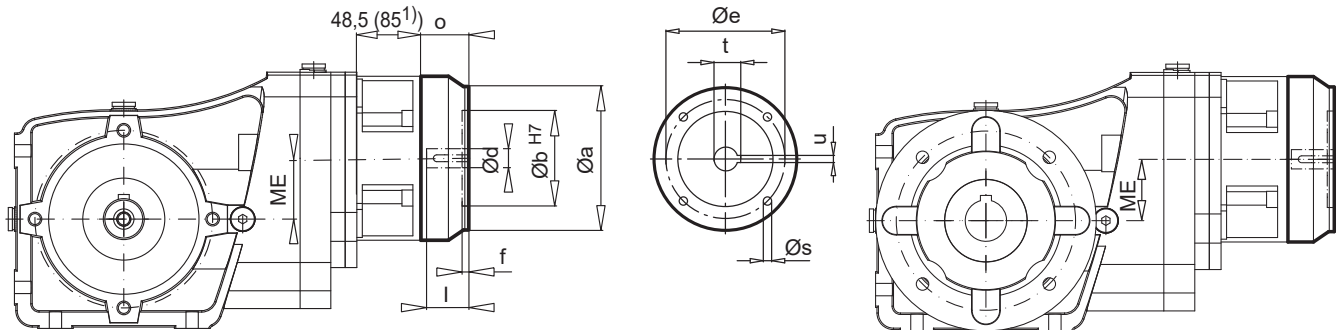
NEMA	Ø a	Ø b	Ø e	f	s	o	Ø d	l	t	u
N56C	166	114	149	4,5	11	37	16	52,3	18	4,8
N140TC	166	114	149	4,5	11	49	22	53,8	24,4	4,8

NORDBLOC.1 Helical bevel gear units



SK 92372.1¹⁾ - IEC 56 ... 100
SK 92672.1¹⁾ - IEC 63 ... 112

SK 92772.1¹⁾ - IEC 63 ... 112



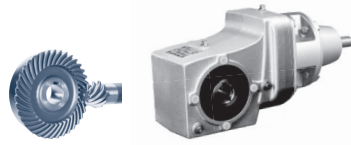
IEC	Ø a	Ø b	Ø e	f	s	o	Ø d	l	t	u
56 - C105	105	70	85	4	7	32	9	20	11,4	3
56 - A120	120	80	100	4	7	32				
63 - C90 *	90	60	75	4	6	32	11	23	12,8	4
63 - C120	120	80	100	4	7	32				
63 - A140	140	95	115	4	9	32				
71 - C105 *	105	70	85	4	7	32	14	30	16,3	5
71 - C140	140	95	115	4	9	32				
71 - A160	160	110	130	4	9	32				
80 - C120 *	120	80	100	4	7	32	19	40	21,8	6
80 - C160	160	110	130	4	9	32				
80 - A200	200	130	165	4	10	32				
90 - C140 *	140	95	115	4	9	46	24	50	27,3	8
90 - C160	160	110	130	4	9	46				
90 - A200	200	130	165	4	10	46				
¹⁾ 100 - C160 *	160	110	130	5	9	36	28	60	31,3	8
¹⁾ 100 - C200	200	130	165	5	9	36				
¹⁾ 100 - A250	250	180	215	5	12	36				
¹⁾ 112 - C160 *	160	110	130	5	9	36	28	60	31,3	8
¹⁾ 112 - C200	200	130	165	5	9	36				
¹⁾ 112 - A250	250	180	215	5	12	36				

* IEC-preferential series

SK 92172.1 - NEMA N56C, N140TC
SK 92372.1 - NEMA N56C ... N180TC

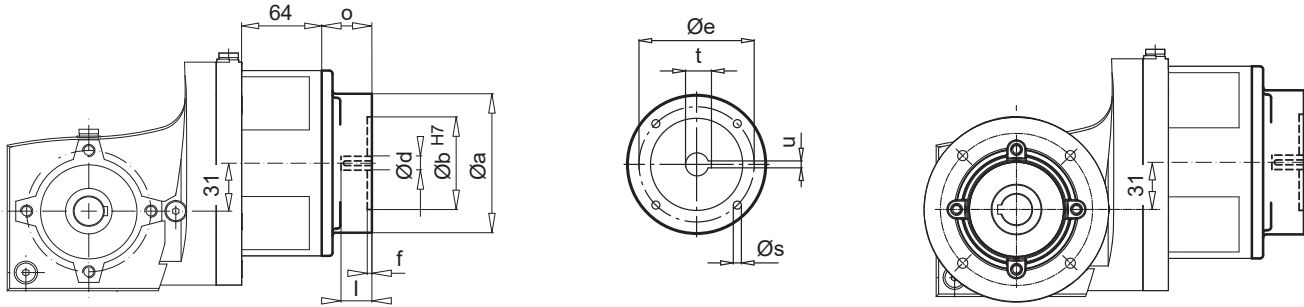
SK 92672.1 - NEMA N56C ... N180TC
SK 92772.1 - NEMA N56C ... N180TC

NEMA	Ø a	Ø b	Ø e	f	s	o	Ø d	l	t	u
N56C	166	114	149	4,5	11	37	16	52,3	18	4,8
N140TC	166	114	149	4,5	11	49	22	53,8	24,4	4,8
N180TC	233	216	184	5,8	14	55	29	72,5	31,8	6,3

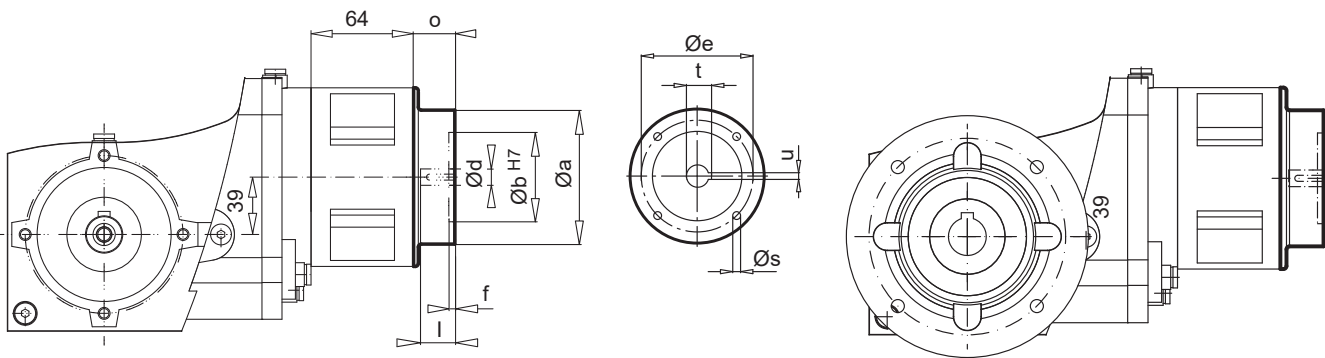


SK 930072.1 - IEC 56 ... 80

SK 93072.1¹⁾ - IEC 56 ... 80



SK 93172.1 - IEC 56 ... 90



IEC	Ø a	Ø b	Ø e	f	s	o	Ø d	l	t	u
56 - C105	105	70	85	4	7	32 (33 ¹⁾)	9	20	11,4	3
56 - A120	90	60	75	4	6,6	32 (33 ¹⁾)				
63 - C90 *	90	60	75	4	5,5	32 (33 ¹⁾)				
63 - C120	120	80	100	4	6,6	32 (33 ¹⁾)	11	23	12,8	4
63 - A140	140	95	115	4	9	32				
71 - C105 *	105	70	85	4	7	32 (33 ¹⁾)				
71 - C140	140	95	115	4	9	32	14	30	16,3	5
71 - A160	160	110	130	4	9	32				
80 - C120 *	120	80	100	4	6,6	32 (33 ¹⁾)				
80 - C160	160	110	130	4	9	32	19	40	21,8	6
80 - A200	200	130	165	4	10	32				
90 - C140 *	140	95	115	4	9	46				
90 - C160	160	110	130	4	9	46	24	50	27,3	8
90 - A200	200	130	165	4	10	46				

* IEC-preferential series

SK 930072.1 - NEMA N56C, N140TC

SK 93072.1 - NEMA N56C, N140TC

SK 93172.1 - NEMA N56C, N140TC

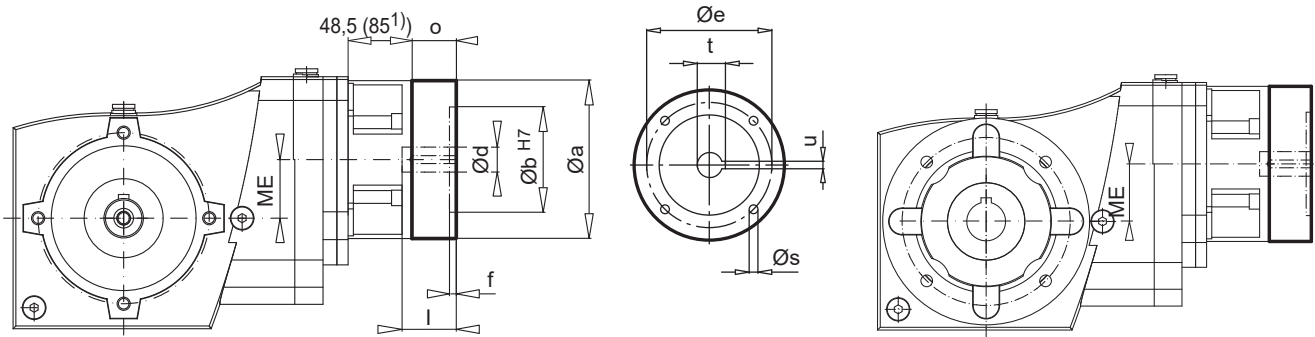
NEMA	Ø a	Ø b	Ø e	f	s	o	Ø d	l	t	u
N56C	166	114	149,2	4	11	37	16	52,3	18,0	4,8
N140TC	166	114	149,2	4	11	49	22	53,8	24,4	4,8

NORDBLOC.1 Helical bevel gear units



SK 93372.1¹⁾ - IEC 63 ... 100
SK 93672.1¹⁾ - IEC 63 ... 112

SK 93772.1¹⁾ - IEC 63 ... 112



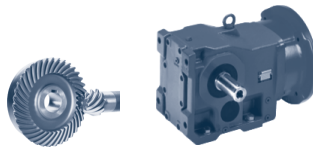
IEC	$\varnothing a$	$\varnothing b$	$\varnothing e$	f	s	o	$\varnothing d$	l	t	u
63 - C90 *	90	60	75	4	5,5	32				
63 - C120	120	80	100	4	6,6	32	11	23	12,8	4
63 - A140	140	95	115	4	9	32				
71 - C105 *	105	70	85	4	7	32				
71 - C140	140	95	115	4	9	32	14	30	16,3	5
71 - A160	160	110	130	4	9	32				
80 - C120 *	120	80	100	4	6,6	32				
80 - C160	160	110	130	4	9	32	19	40	21,8	6
80 - A200	200	130	165	4	10	32				
90 - C140 *	140	95	115	4	9	46				
90 - C160	160	110	130	4	9	46	24	50	27,3	8
90 - A200	200	130	165	4	10	46				
¹⁾ 100 - C160 *	160	110	130	5	9	36				
¹⁾ 100 - C200	200	130	165	5	9	36	28	60	31,3	8
¹⁾ 100 - A250	250	180	215	5	12	36				
¹⁾ 112 - C160 *	160	110	130	5	9	36				
¹⁾ 112 - C200	200	130	165	5	9	36	28	60	31,3	8
¹⁾ 112 - A250	250	180	215	5	12	36				

* IEC-preferential series

SK 93372.1 - NEMA N56C ... N180TC
SK 93672.1 - NEMA N56C ... N180TC

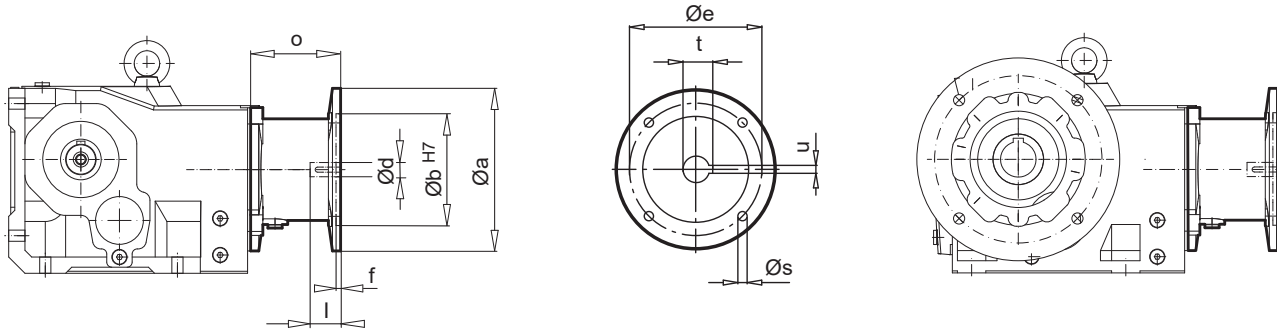
SK 93772.1 - NEMA N56C ... N180TC

NEMA	$\varnothing a$	$\varnothing b$	$\varnothing e$	f	s	o	$\varnothing d$	l	t	u
N56C	166	114	149,2	4	11	37	16	52,3	18,0	4,8
N140TC	166	114	149,2	4	11	49	22	53,8	24,4	4,8
N180TC	233	216	184,1	6	14	55	29	72,5	31,8	6,4



SK 9012.1 - IEC 63 ... 112
SK 9016.1 - IEC 63 ... 112

SK 9022.1 - IEC 63 ... 112
SK 9032.1* - IEC 71 ... 132



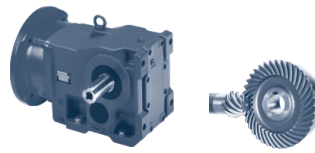
UNICASE™
Helical bevel gear units

IEC	Ø a	Ø b	Ø e	f	Ø s	o	Ø d	l	t	u
IEC 63	140	95	115	4,0	M8	84,5	11	23	12,8	4
IEC 71	160	110	130	4,5	M8	88,5 (88*)	14	30	16,3	5
IEC 80	200	130	165	4,5	M10	106 (108*)	19	40	21,8	6
IEC 90	200	130	165	4,5	M10	106 (108*)	24	50	27,3	8
IEC 100	250	180	215	5,0	M12	125	28	60	31,3	8
IEC 112	250	180	215	5,0	M12	125	28	60	31,3	8
IEC 132	300	230	265	5,0	M12	156	38	80	41,3	10

SK 9012.1 - NEMA N56C ... N180TC
SK 9016.1 - NEMA N56C ... N180TC

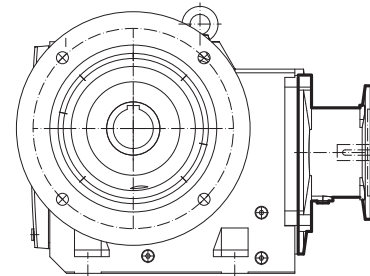
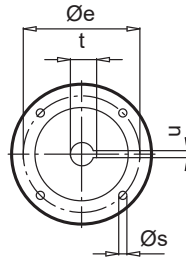
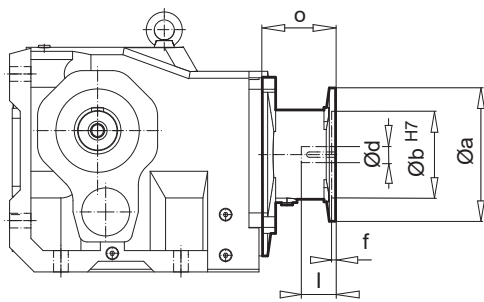
SK 9022.1 - NEMA N56C ... N180TC
SK 9032.1 - NEMA N56C ... N210TC

NEMA	Ø a	Ø b	Ø e	f	Ø s	o	Ø d	l	t	u
N56C	166	114,3	149,2	4,5	11	113 (117*)	15,9	52,3	18,0	4,8
N140TC	166	114,3	149,2	4,5	11	113 (117*)	22,2	53,8	24,4	4,8
N180TC	233	215,9	184,2	5,8	15	143,5 (168,8*)	28,6	66,6	31,5	6,3
N210TC	233	215,9	184,2	5,8	15	168,8	34,9	79,2	38,6	7,9



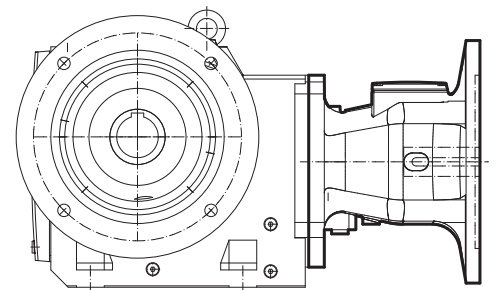
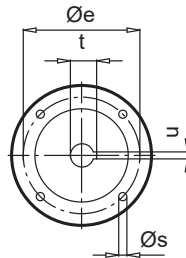
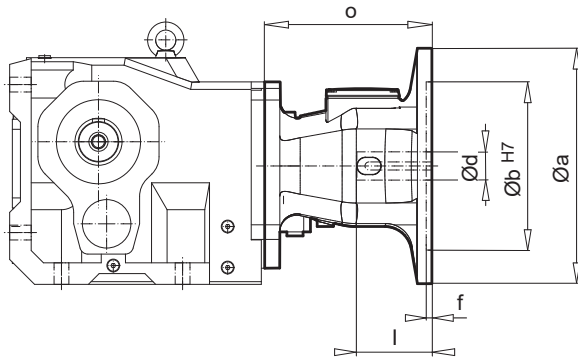
SK 9042.1 - IEC 90 ... 132
SK 9052.1 - IEC 90 ... 132

SK 9072.1* - IEC 100 ... 132
SK 9082.1* - IEC 132



SK 9042.1 - AI 160
SK 9052.1 - AI 160, AI 180

SK 9072.1 - AI 160 ... 225
SK 9082.1 - AI 160 ... 315



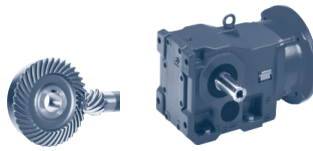
IEC	Ø a	Ø b	Ø e	f	Ø s	o	Ø d	l	t	u
IEC 90	200	130	165	4,5	M10	108,5	24	50	27,3	8
IEC 100	250	180	215	5,0	M12	133 (127*)	28	60	31,3	8
IEC 112	250	180	215	5,0	M12	133 (127*)	28	60	31,3	8
IEC 132	300	230	265	5,0	M12	190 (177*)	38	80	41,3	10
AI 160	350	250	300	7,0	M16	247	42	110	45,3	12
AI 180	350	250	300	7,0	M16	247	48	110	51,8	14
AI 200	400	300	350	7,0	M16	251	55	110	59,3	16
AI 225	450	350	400	7,0	M16	303	60	140	64,4	18
AI 250	550	450	500	7,0	M16	338,5	65	140	69,4	18
AI 280	550	450	500	7,0	M16	338,5	75	140	79,9	20
AI 315	660	550	600	7,0	M20	400	80	170	85,4	22

SK 9042.1 - NEMA N56C ... AN250TC
SK 9052.1 - NEMA N56C ... AN280TC

SK 9072.1 - NEMA N180TC ... AN360TC**
SK 9082.1* - NEMA N180TC ... AN360TC

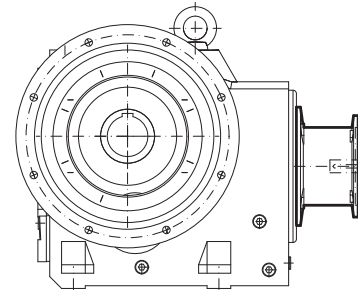
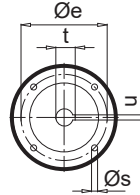
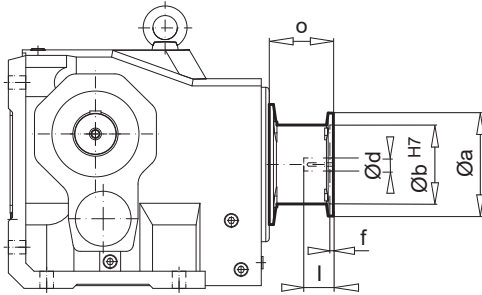
NEMA	Ø a	Ø b	Ø e	f	Ø s	o	Ø d	l	t	u
N56C	166	114,3	149,2	4,5	11	110	15,9	52,3	18,0	4,8
N140TC	166	114,3	149,2	4,5	11	110	22,2	53,8	24,4	4,8
N180TC	233	215,9	184,1	5,8	15	201 (191*)	28,6	66,6	31,5	6,3
N210TC	233	215,9	184,1	5,8	15	201 (191*)	34,9	79,2	38,6	7,9
AN250TC	233 (235*)	215,9	184,2	5,8	13,5	235,8 (242,8*)	41,3	95,3	45,7	9,5
AN280TC	350	266,7	228,6	5,8	13,5 (17,5*)	252,8	47,6	111,2	51,6	12,7
AN320TC	400	317,5	279,4	5,8	17,5	256,8	54,0	127,0	59,7	12,7
AN360TC	550	317,5	279,4	4,0 (5,0**)	17,5	372,5 (308**)	60,3	142,8	67,3	15,9

**IEC, AI
NEMA, AN**



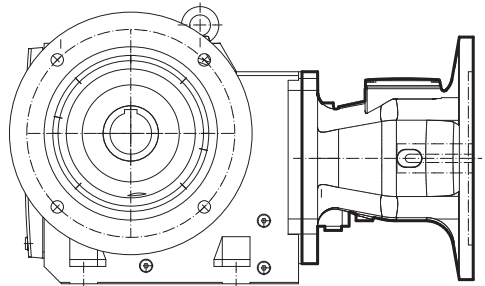
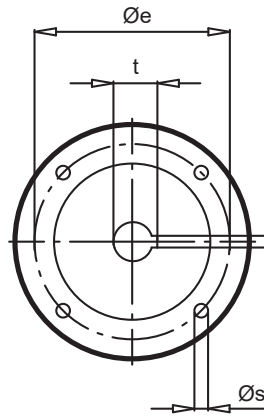
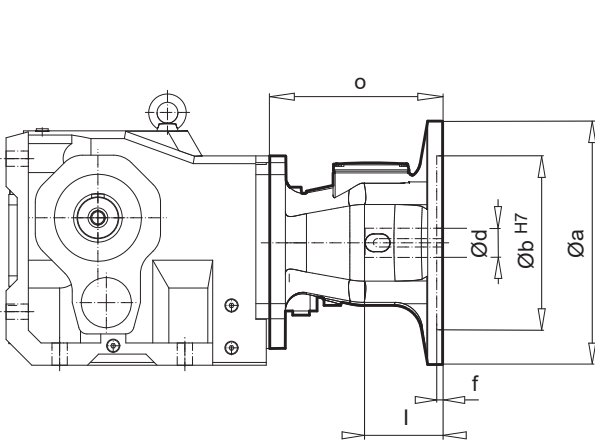
**SK 9086.1 - IEC 132
SK 9092.1 - IEC 132**

SK 9096.1 - IEC 132



**SK 9086.1 - AI 160 ... 315
SK 9092.1 - AI 160 ... 315**

SK 9096.1 - AI 160 ... 315



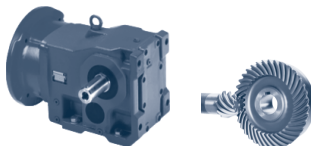
IEC	Ø a	Ø b	Ø e	f	Ø s	o	Ø d	l	t	u
IEC 132	300	230	265	5,0	M12	177	38	80	41,3	10
AI 160	350	250	300	7,0	M16	247	42	110	45,3	12
AI 180	350	250	300	7,0	M16	247	48	110	51,8	14
AI 200	400	300	350	7,0	M16	251	55	110	59,3	16
AI 225	450	350	400	7,0	M16	303	60	140	64,4	18
AI 250	550	450	500	7,0	M16	338,5	65	140	69,4	18
AI 280	550	450	500	7,0	M16	338,5	75	140	79,9	20
AI 315	660	550	600	7,0	M20	400	80	170	85,4	22

**SK 9086.1 - NEMA N180TC... AN360TC
SK 9092.1 - NEMA N180TC... AN360TC**

SK 9096.1 - NEMA N180TC... AN360TC

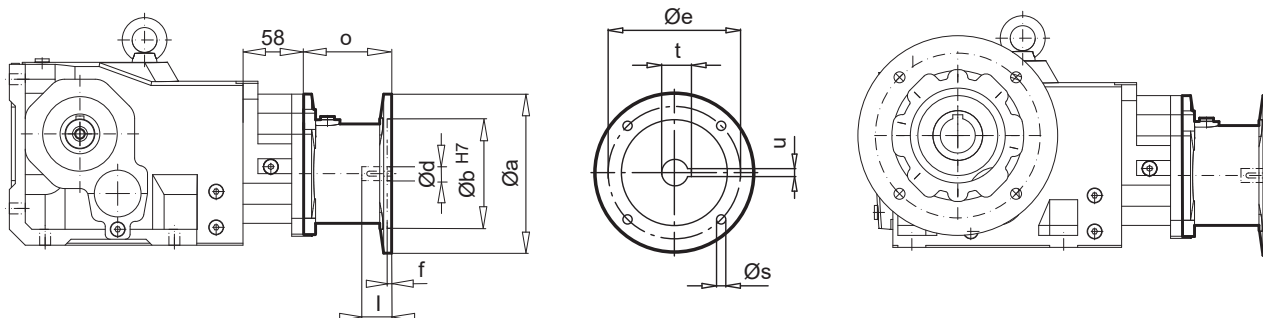
NEMA	Ø a	Ø b	Ø e	f	Ø s	o	Ø d	l	t	u
N180TC	233	215,9	184,1	5,8	15	191	28,6	66,6	31,5	6,3
N210TC	233	215,9	184,1	5,8	15	191	34,9	79,2	38,6	7,9
AN250TC	235	215,9	184,2	5,8	13,5	242,8	41,3	95,3	45,7	9,5
AN280TC	350	266,7	228,6	5,8	17,5	252,8	47,6	111,2	51,6	12,7
AN320TC	400	317,5	279,4	5,8	17,5	256,8	54,0	127,0	59,7	12,7
AN360TC	550	317,5	279,4	4,0	17,5	372,5	60,3	142,8	67,3	15,9

UNICASE™
Helical bevel gear units



SK 9013.1 - IEC 63 ... 80
SK 9017.1 - IEC 63, 71

SK 9023.1 - IEC 63, 71

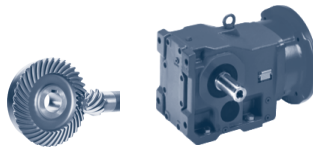


IEC	Ø a	Ø b	Ø e	f	Ø s	o	Ø d	l	t	u
IEC 63	140	95	115	4,0	M8	84,5	11	23	12,8	4
IEC 71	160	110	130	4,5	M8	88,5	14	30	16,3	5
IEC 80	200	130	165	4,5	M10	106	19	40	21,8	6

SK 9013.1 - NEMA N56C
SK 9017.1 - NEMA N56C

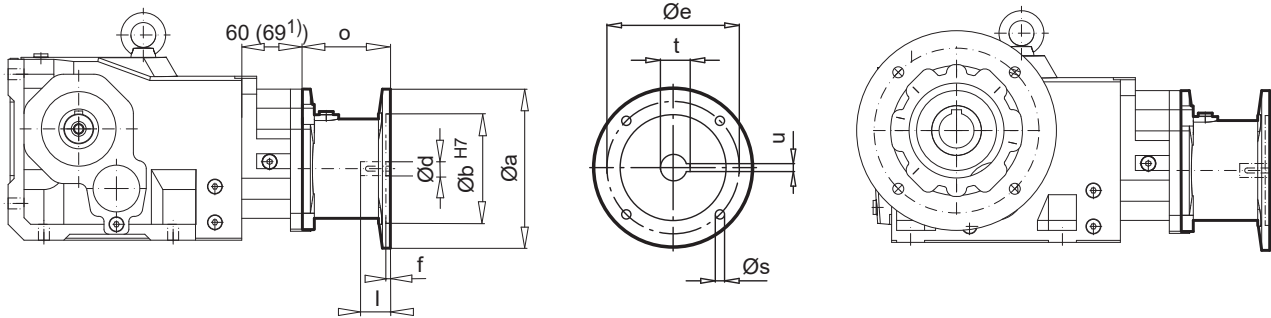
SK 9023.1 - NEMA N56C

NEMA	Ø a	Ø b	Ø e	f	Ø s	o	Ø d	l	t	u
N56C	166	114,3	149,2	4,5	11	113	15,9	52,3	18,0	4,8



SK 9033.1 - IEC 63 ... 90
SK 9043.1*1) - IEC 71 ... 112

SK 9053.1*1) - IEC 71 ... 112



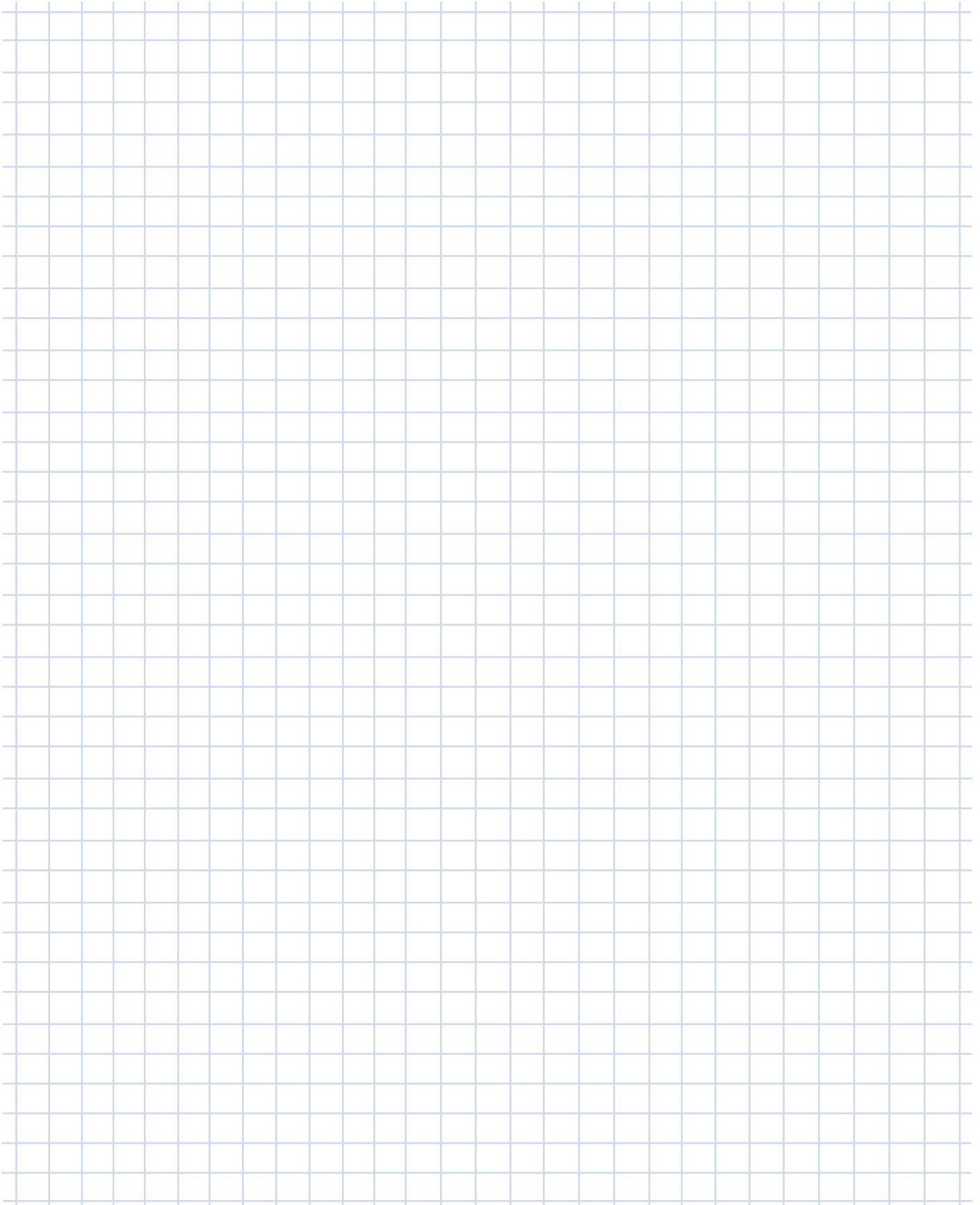
UNICASE™
Helical bevel gear units

IEC	Ø a	Ø b	Ø e	f	Ø s	o	Ø d	l	t	u
IEC 63	140	95	115	4,0	M8	84,5	11	23	12,8	4
IEC 71	160	110	130	4,5	M8	88,5 (88*)	14	30	16,3	5
IEC 80	200	130	165	4,5	M10	106 (108*)	19	40	21,8	6
IEC 90	200	130	165	4,5	M10	106 (108*)	24	50	27,3	8
IEC 100	250	180	215	5,0	M12	125	28	60	31,3	8
IEC 112	250	180	215	5,0	M12	125	28	60	31,3	8

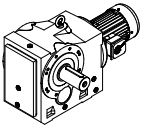
SK 9033.1 - NEMA N56C, N140TC
SK 9043.1*1) - NEMA N56C ... N180TC

SK 9053.1*1) - NEMA N56C ... N210TC

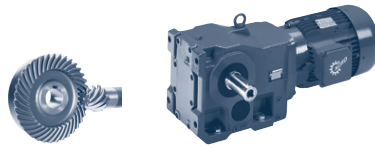
NEMA	Ø a	Ø b	Ø e	f	Ø s	o	Ø d	l	t	u
N56C	166	114,3	149,2	4,5	11	113 (117*)	15,9	52,3	18,0	4,8
N140TC	166	114,3	149,2	4,5	11	113 (117*)	22,2	53,8	24,4	4,8
N180TC	233	215,9	184,2	5,8	15	168,8	28,6	66,6	31,5	6,3
N210TC	233	215,9	184,2	5,8	15	168,8	34,9	79,2	38,6	7,9



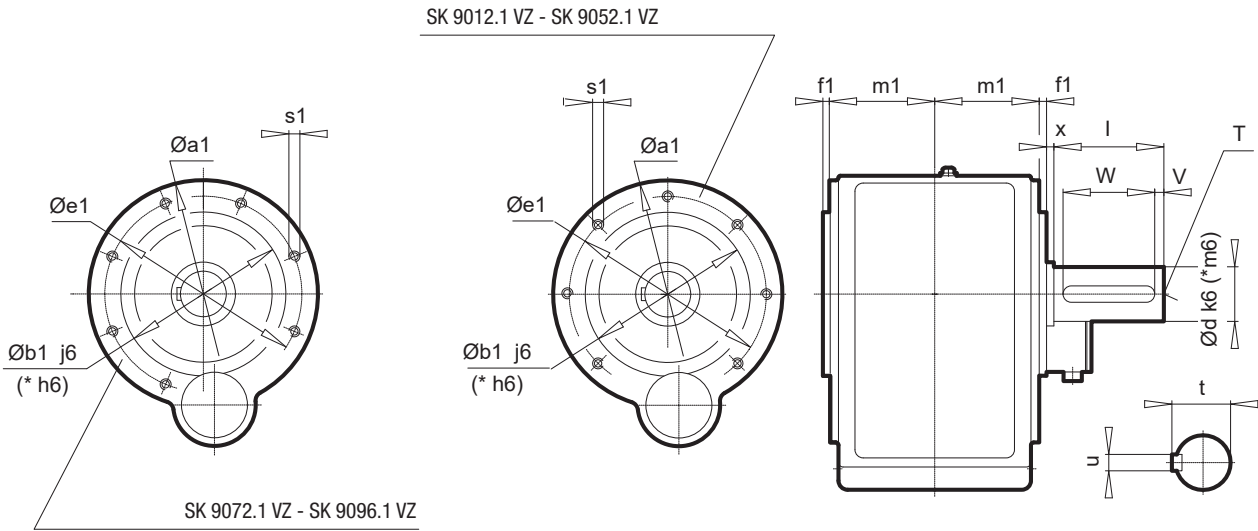
A large grid area for taking notes, consisting of a 20x30 grid of small squares.



VZ

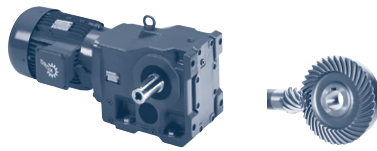


SK ... VZ

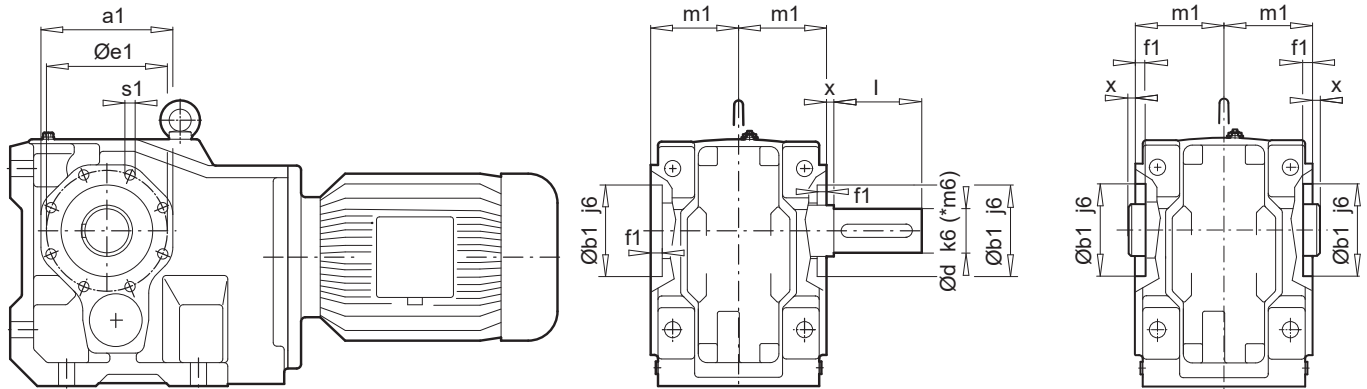


UNICASE™
Helical bevel gear units

Type	a1	b1	e1	f1	s1	m1	d	l	t	u	v	w	x	T
SK 9012.1 VZ	140	95	115	3	M8 x 13	68	30	60	33,0	8	5	50	4	M10
SK 9013.1 VZ	140	95	115	3	M8 x 13	68	35	70	38,0	10	5	60	4	M12
SK 9022.1 VZ	160	110	130	4	M8 x 13	82	35	70	38,0	10	5	60	5	M12
SK 9023.1 VZ	160	110	130	4	M8 x 13	82	35	70	38,0	10	5	60	5	M12
SK 9032.1 VZ	200	130	165	3	M10 x 16	97	45	90	48,5	14	5	80	6	M16
SK 9033.1 VZ	200	130	165	3	M10 x 16	97	45	90	48,5	14	5	80	6	M16
SK 9042.1 VZ	250	180	215	7	M12 x 20	108	*60	120	64,0	18	10	100	5	M20
SK 9043.1 VZ	250	180	215	7	M12 x 20	108	*60	120	64,0	18	10	100	5	M20
SK 9052.1 VZ	300	230	265	4	M12 x 20	141	*70	140	74,5	20	15	110	6	M20
SK 9053.1 VZ	300	230	265	4	M12 x 20	141	*70	140	74,5	20	15	110	6	M20
SK 9072.1 VZ	350	*250	300	5	M16 x 25	165	*90	170	95,0	25	15	140	7	M24
SK 9072.1/32 VZ	350	*250	300	5	M16 x 25	165	*90	170	95,0	25	15	140	7	M24
SK 9072.1/42 VZ	350	*250	300	5	M16 x 25	165	*90	170	95,0	25	15	140	7	M24
SK 9082.1 VZ	400	*300	350	7	M16 x 25	195	*110	210	116,0	28	15	180	8	M24
SK 9082.1/42 VZ	400	*300	350	7	M16 x 25	195	*110	210	116,0	28	15	180	8	M24
SK 9082.1/52 VZ	400	*300	350	7	M16 x 25	195	*110	210	116,0	28	15	180	8	M24
SK 9086.1 VZ	450	*350	400	7	M20 x 30	235	*120	210	127,0	32	15	180	8	M24
SK 9086.1/52 VZ	450	*350	400	7	M20 x 30	235	*120	210	127,0	32	15	180	8	M24
SK 9092.1 VZ	450	*350	400	7	M20 x 30	288	*140	250	148,0	36	15	220	10	M24
SK 9092.1/52 VZ	450	*350	400	7	M20 x 30	288	*140	250	148,0	36	15	220	10	M24
SK 9096.1 VZ	550	*450	500	6,5	M24 x 30	320	*190	320	200,0	45	10	300	10,5	M30 x 60
SK 9096.1/62 VZ	550	*450	500	6,5	M24 x 30	320	*190	320	200,0	45	10	300	10,5	M30 x 60

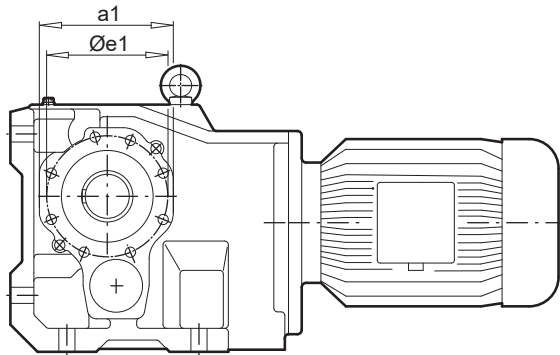


SK ... VXZ



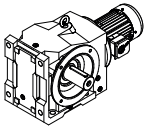
** SK9052.1 VXZ (AXZ)

(on inquiries and orders please specify a1 and Øe1 dimensions)

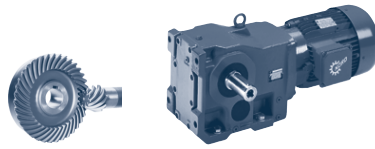


Type	a1	b1	e1	f1	s1	m1	d	l	x
SK 9012.1 VXZ (AXZ) SK 9013.1 VXZ (AXZ)	110	75	100	4	M8 x 13	71	30	60	4
SK 9016.1 VXZ (AXZ) SK 9017.1 VXZ (AXZ)	110	75	100	4	M8 x 13	71	35	70	4
SK 9022.1 VXZ (AXZ) SK 9023.1 VXZ (AXZ)	125	90	115	4	M8 x 13	86	35	70	5
SK 9032.1 VXZ (AXZ) SK 9033.1 VXZ (AXZ)	150	100	130	5	M10 x 16	100	45	90	6
SK 9042.1 VXZ (AXZ) SK 9043.1 VXZ (AXZ)	180	125	165	5	M12 x 20	115	*60	120	5
SK 9052.1 ** SK 9053.1 VXZ (AXZ)	230	180	205	5	M12 x 20	145	*70	140	6
SK 9072.1 VXZ (AXZ) SK 9072.1/32 VXZ (AXZ) SK 9072.1/42 VXZ (AXZ)	250	180	215	5	M12 x 20	170	*90	170	7
SK 9082.1 VXZ (AXZ) SK 9082.1/42 VXZ (AXZ) SK 9082.1/52 VXZ (AXZ)	300	230	265	5	M12 x 20	200	*110	210	8
SK 9086.1 VXZ (AXZ) SK 9086.1/52 VXZ (AXZ)	350	250	300	15	M16 x 25	238	*120	210	8
SK 9092.1 VXZ SK 9092.1/52 VXZ	400	290	350	18	M20 x 30	295	*140	250	10
SK 9096.1 VXZ SK 9096.1/62 VXZ	440	310	400	18	M20 x 30	326,5	*190	320	10,5

UNICASE™
Helical bevel gear units

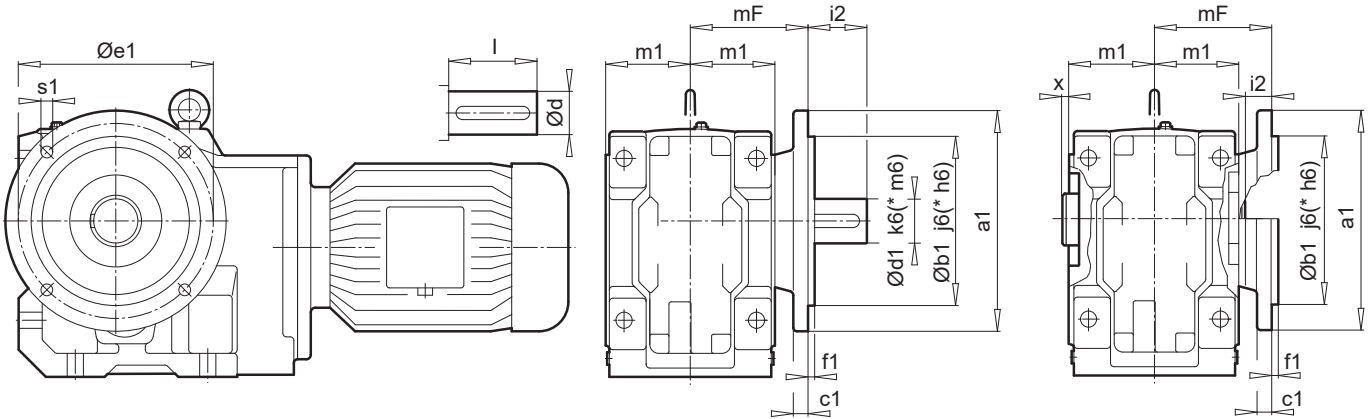


**VXF
AXF**



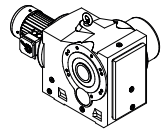
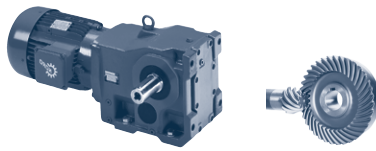
SK ... VXF

SK ... AXF

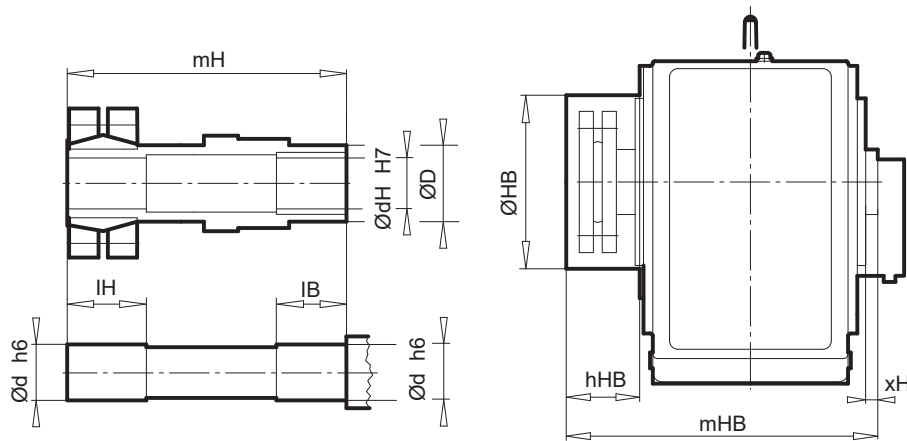


UNICASE™
Helical bevel gear units

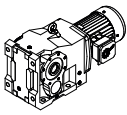
Type	a1	b1	c1	e1	f1	s1	i2	m1	mF	d	l	x
SK 9012.1 VXF (AXF) SK 9013.1 VXF (AXF)	160	110	12	130	3,5	9	34 (27)	71	101	30	60	3
SK 9016.1 VXF (AXF) SK 9017.1 VXF (AXF)	160	110	12	130	3,5	9	44 (27) 34 (27)	71	101	35	70	3
SK 9022.1 VXF (AXF) SK 9023.1 VXF (AXF)	200	130	12	165	3,5	11	39 (31)	86	121	35	70	4
SK 9032.1 VXF (AXF) SK 9033.1 VXF (AXF)	250	180	16	215	4,0	13,5	56 (35)	100	140	45	90	5
SK 9042.1 VXF (AXF) SK 9043.1 VXF (AXF)	300	230	20	265	4,0	13,5	80 (40)	115	160	*60	120	5
SK 9052.1 VXF (AXF) SK 9053.1 VXF (AXF)	350	*250	20	300	5,0	17,5	86 (55)	145	205	*70	140	5
SK 9072.1 VXF (AXF) SK 9072.1/32 VXF (AXF) SK 9072.1/42 VXF (AXF)	400	*300	20	350	5,0	18	112 (65)	170	235	*90	170	0



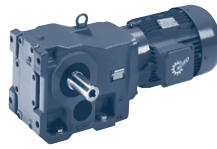
SK ... AZVSH → A86



Type		D	dH	d	IB	IH	mH	xH	hHB	HB	mHB
SK 9072.1	AZVSH	120	95(85)	95(85)	80	110	464	5	170	17	487
SK 9072.1/32	AZVSH										
SK 9072.1/42	AZVSH										
SK 9082.1	AZVSH	140	110	110	80	160	587	8	210	8	613
SK 9082.1/42	AZVSH										
SK 9082.1/52	AZVSH										
SK 9086.1	AZVSH	160	130	130	80	170	674	8	210	8	720
SK 9086.1/52	AZVSH										
SK 9092.1	AZVSH	200	150	150	100	130	754	10	250	10	828
SK 9092.1/52	AZVSH										
SK 9096.1	AZVSH	200	160	155	95	229	904	10,5	320	10,5	929
SK 9096.1/62	AZVSH										



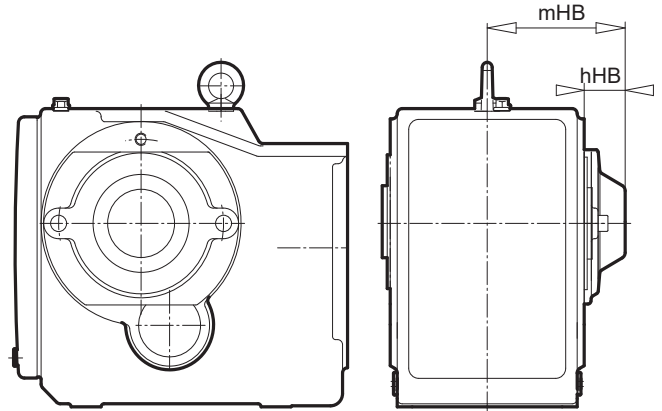
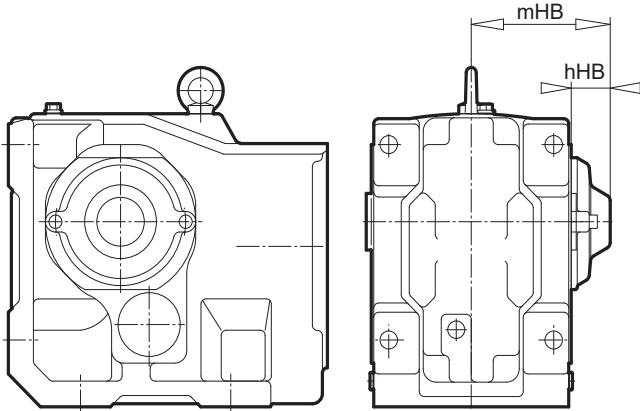
**AXZH
AZH
AXH**



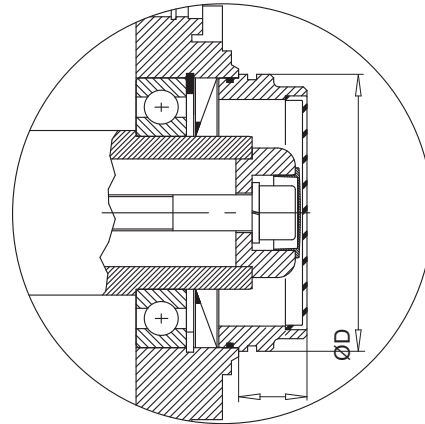
NORD
DRIVESYSTEMS

SK ... AXZH

SK ... AZH



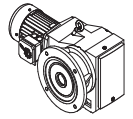
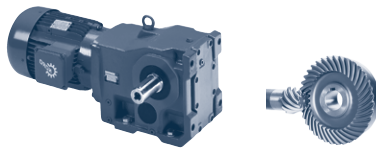
**SK ... AZH66
SK ... AXH66**



Type		hHB	mHB
SK 9012.1	AXZH	37	108
SK 9012.1	AZH	42	110
SK 9013.1	AXZH	37	108
SK 9013.1	AZH	42	110
SK 9016.1	AXZH	37	108
SK 9016.1	AZH	42	110
SK 9017.1	AXZH	37	108
SK 9017.1	AZH	42	110
SK 9022.1	AXZH	42	128
SK 9022.1	AZH	44	126
SK 9023.1	AXZH	42	128
SK 9023.1	AZH	44	126
SK 9032.1	AXZH	44	144
SK 9032.1	AZH	47	144
SK 9033.1	AXZH	44	144
SK 9033.1	AZH	47	144
SK 9042.1	AXZH	45	160
SK 9042.1	AZH	55	163
SK 9043.1	AXZH	45	160
SK 9043.1	AZH	55	163
SK 9052.1	AXZH	47	192
SK 9052.1	AZH	60	201
SK 9053.1	AXZH	47	192
SK 9053.1	AZH	60	201
SK 9072.1	AXZH	53	223
SK 9072.1	AZH	62	227
SK 9082.1	AXZH	60	260
SK 9082.1	AZH	65	260
SK 9086.1	AXZH	53	291
SK 9086.1	AZH	84	319
SK 9092.1	AXZH	65	360
SK 9092.1	AZH	84	372
SK 9096.1	AXZH	84	410,5
SK 9096.1	AZH	58	378

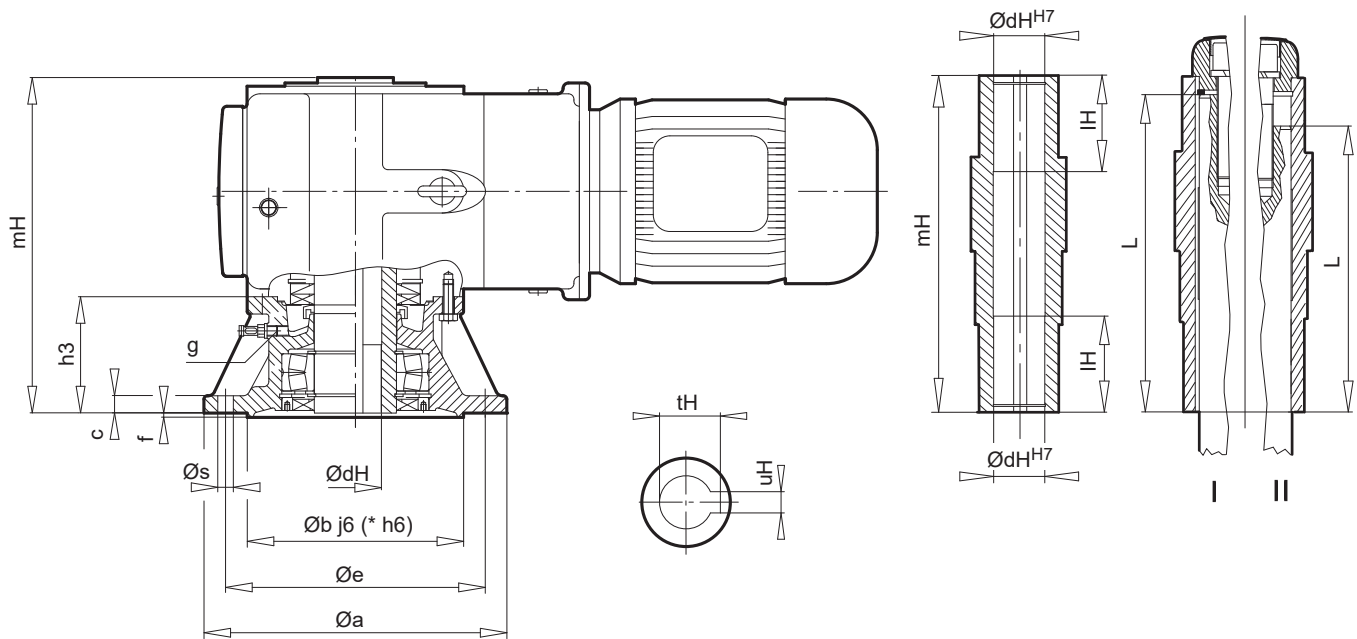
Type			D	L
SK 9012.1	AXH66	SK 9013.1	AXH66	80 25
SK 9012.1	AZH66	SK 9013.1	AZH66	85 28
SK 9016.1	AXH66	SK 9017.1	AXH66	80 25
SK 9016.1	AZH66	SK 9017.1	AZH66	85 28
SK 9022.1	AXH66	SK 9023.1	AXH66	95 30
SK 9022.1	AZH66	SK 9023.1	AZH66	104 34
SK 9032.1	AXH66	SK 9033.1	AXH66	104 34
SK 9032.1	AZH66	SK 9033.1	AZH66	115 35
SK 9042.1	AXH66	SK 9043.1	AXH66	104 35
SK 9042.1	AZH66	SK 9043.1	AZH66	145 38
SK 9052.1	AXH66	SK 9053.1	AXH66	188 44
SK 9052.1	AZH66	SK 9053.1	AZH66	188 44
SK 9072.1	AXH66			188 44
SK 9072.1	AZH66			188 44
SK 9082.1	AXH66			245 50
SK 9082.1	AZH66			260 54
SK 9086.1	AXH66			260 54
SK 9086.1	AZH66			315 50

UNICASE™
Helical bevel gear units

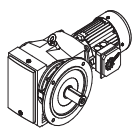


SK ... AFVL → A20

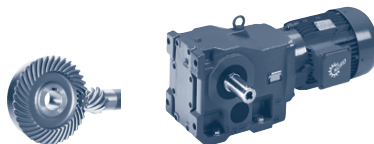
SK ... AF(B)VL



Type	a	b	c	e	f	h3	s	g	dH / d	uH	tH	mH	IH	L I	L II	
SK 9012.1 SK 9013.1	AF .. AF ..	200	130	12	165	3,5	75	4 x 11	M12 x 1,5	35	10	38,3	218	50	210,15	190
SK 9016.1 SK 9017.1	AF .. AF ..	200	130	12	165	3,5	75	4 x 11	M12 x 1,5	35	10	38,5	218	50	208,85	190
SK 9022.1 SK 9023.1	AF .. AF ..	250	180	16	215	4,0	86	4 x 13,5	M12 x 1,5	40	12	43,3	258	60	247,85	228
SK 9032.1 SK 9033.1	AF .. AF ..	300	230	20	265	4,0	85	4 x 14	M12 x 1,5	50	14	53,8	287	70	276,35	247
SK 9042.1 SK 9043.1	AF .. AF ..	350	*250	20	300	5,0	134,5	4 x 18	M12 x 1,5	60	18	64,4	362,5	80	350,30	317,5 (322,5)
SK 9052.1 SK 9053.1	AF .. AF ..	400	*300	22	350	5,0	166	4 x 18	M24 x 1,5	70	20	74,9	457	100	444,75	412
SK 9072.1 SK 9072.1/32 SK 9072.1/42	AF .. AF .. AF ..	450	*350	24	400	5,0	184	8 x 18	M24 x 1,5	80	22	85,4	524	120	510,85	464
SK 9082.1 SK 9082.1/42 SK 9082.1/52	AF .. AF .. AF ..	550	*450	28	500	5,0	210	8 x 18	M30 x 2,0	110	28	116,4	615	140	599,85	555 (560)
SK 9086.1 SK 9086.1/52	AF .. AF ..	660	*550	32	600	6,0	262	8 x 22	M30 x 2,0	120	32	127,4	747	160	731,85	687

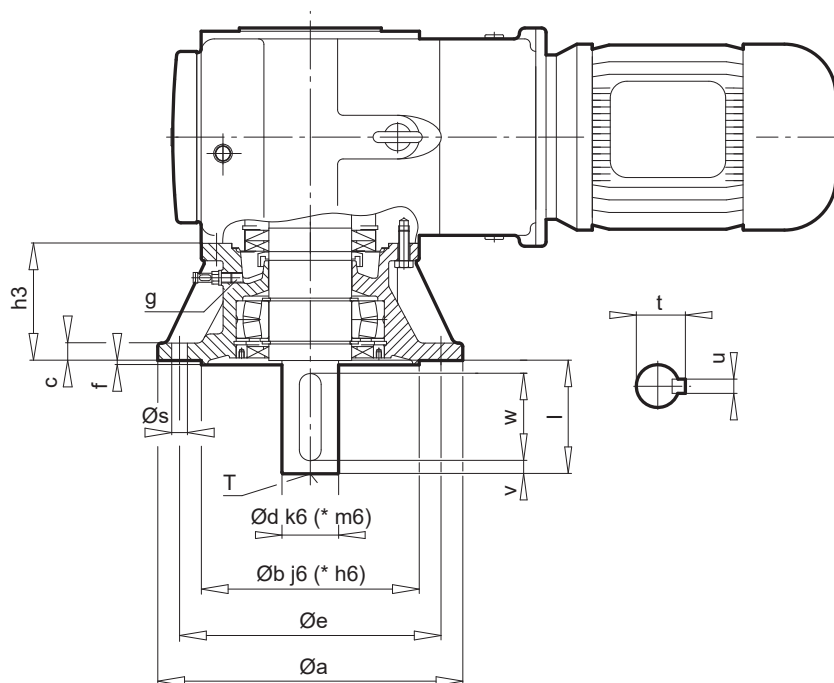


VFVL2 VFVL3



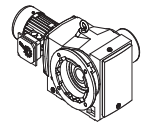
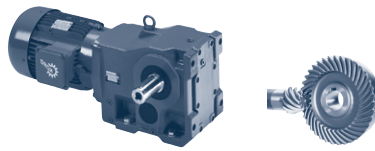
SK ... VFVL

⇒ A25

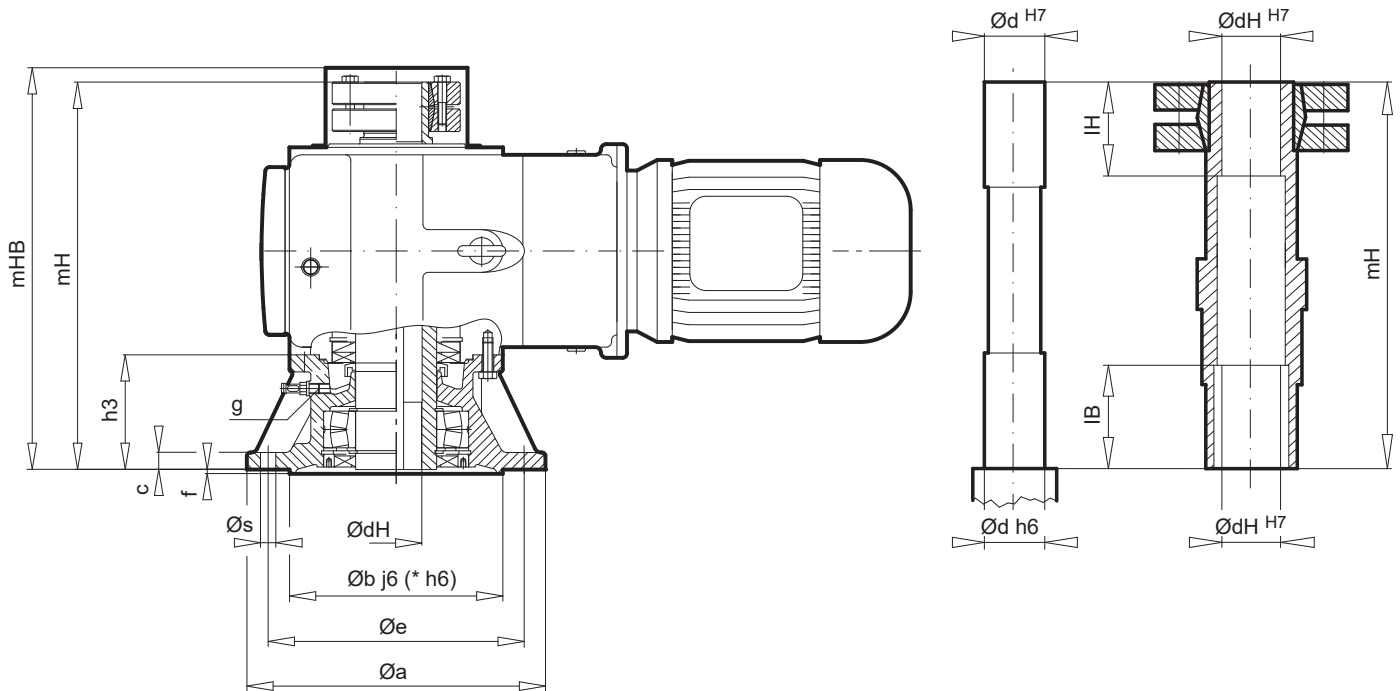


Type	a	b	c	e	f	h3	s	g	d	l	t	u	v	w	T
SK 9012.1 VF .. SK 9013.1 VF ..	200	130	12	165	3,5	75	4 x 11	M12 x 1,5	30	60	33,0	8	5	50	M10
SK 9016.1 VF .. SK 9017.1 VF ..	200	130	12	165	3,5	75	4 x 11	M12 x 1,5	35	70	38,0	10	7	56	M12
SK 9022.1 VF .. SK 9023.1 VF ..	250	180	16	215	4,0	86	4 x 14	M12 x 1,5	35	70	38,0	10	7	56	M12
SK 9032.1 VF .. SK 9033.1 VF ..	300	230	20	265	4,0	85	4 x 14	M12 x 1,5	45	90	48,5	14	5	80	M16
SK 9042.1 VF .. SK 9043.1 VF ..	350	*250	20	300	5,0	134,5	4 x 18	M12 x 1,5	*65	130	69,0	18	15	100	M20
SK 9052.1 VF .. SK 9053.1 VF ..	400	*300	22	350	5,0	166	4 x 18	M24 x 1,5	*75	140	79,5	20	7,5	125	M20
SK 9072.1 VF .. SK 9072.1/32 VF .. SK 9072.1/42 VF ..	450	*350	24	400	5,0	184	8 x 18	M24 x 1,5	*90	170	95,0	25	15	140	M24
SK 9082.1 VF .. SK 9082.1/42 VF .. SK 9082.1/52 VF ..	550	*450	28	500	5,0	210	8 x 18	M30 x 2,0	*110	210	116,0	28	15	180	M24
SK 9086.1 VF .. SK 9086.1/52 VF ..	660	*550	32	600	6,0	262	8 x 22	M30 x 2,0	*120	210	127,0	32	15	180	M24
SK 9092.1 VF .. SK 9092.1/52 VF ..	660	*550	32	600	6,0	262	8 x 22	M30 x 2,0	*140	250	148,0	36	25	200	M24
SK 9096.1 VF .. SK 9096.1/62 VF ..	660	*550	35	600	8,0	302	8 x 26	M30 x 2,0	*190	320	200,0	45	10	300	M30 x 60

UNICASE™
Helical bevel gear units

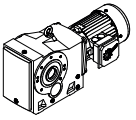


SK ... AFSHVL → A25

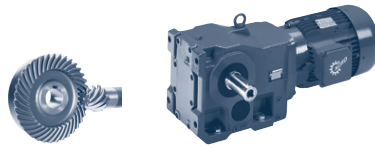


Type	a	b	c	e	f	h3	s	g	dH / d	mHB	mH	IB	IH	
SK 9012.1 SK 9013.1	AFSH .. AFSH ..	200	130	12	165	3,5	75	4 x 11	M12 x 1,5	35	278	263	41	40
SK 9016.1 SK 9017.1	AFSH .. AFSH ..	200	130	12	165	3,5	75	4 x 11	M12 x 1,5	35	289	263	41	40
SK 9022.1 SK 9023.1	AFSH .. AFSH ..	250	180	16	215	4,0	86	4 x 13,5	M12 x 1,5	40	319	308	41,5	44
SK 9032.1 SK 9033.1	AFSH .. AFSH ..	300	230	20	265	4,0	85	4 x 14	M12 x 1,5	50	355	337	51,5	46
SK 9042.1 SK 9043.1	AFSH .. AFSH ..	350	*250	20	300	5,0	134,5	4 x 18	M12 x 1,5	60	446	427,5	61,5	58
SK 9052.1 SK 9053.1	AFSH .. AFSH ..	400	*300	22	350	5,0	166	4 x 18	M24 x 1,5	70	558	537	71	74
SK 9072.1 SK 9072.1/32 SK 9072.1/42	AFSH .. AFSH .. AFSH ..	450	*350	24	400	5,0	184	8 x 18	M24 x 1,5	80	629	609	81	82
SK 9082.1 SK 9082.1/42 SK 9082.1/52	AFSH .. AFSH .. AFSH ..	550	*450	28	500	5,0	210	8 x 18	M30 x 2,0	110	734	695	81	74
SK 9086.1 SK 9086.1/52	AFSH .. AFSH ..	660	*550	32	600	6,0	262	8 x 22	M30 x 2,0	125	892	851	81	98
SK 9092.1 SK 9092.1/52	AFSH .. AFSH ..	660	*550	32	600	6,0	262	8 x 22	M30 x 2,0	150	998	955	101	98
SK 9096.1 SK 9096.1/62	AFSH .. AFSH ..	660	*550	35	600	8,0	302	8 x 26	M30 x 2,0	160 / 155	1134	1089	95	140

UNICASE™
Helical bevel gear units



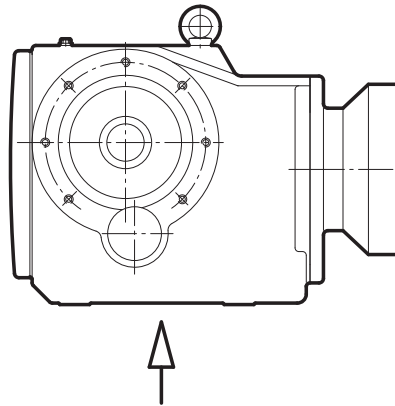
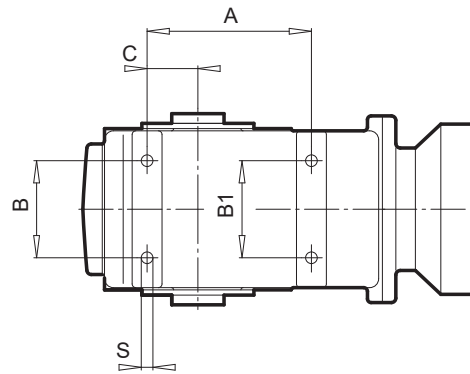
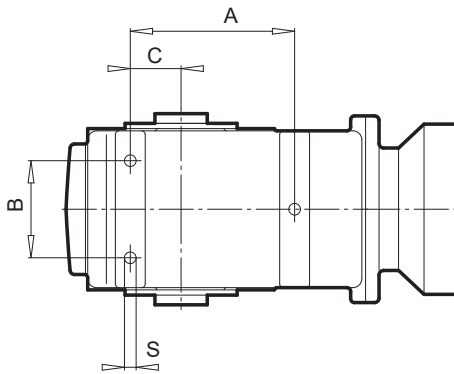
AZ..



SK ... AZ ..

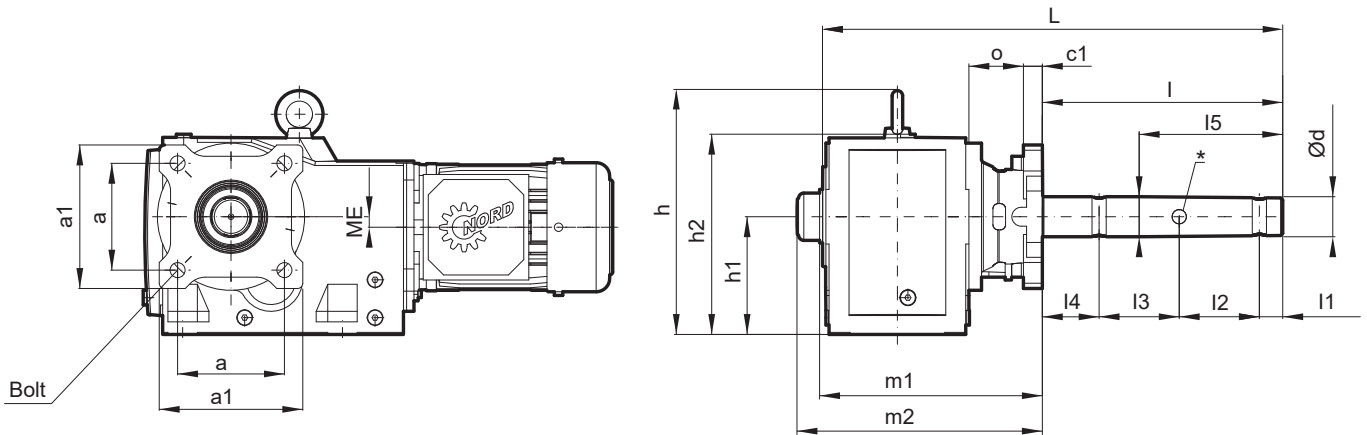
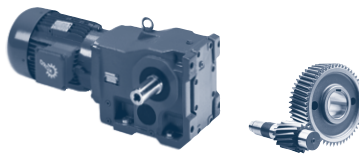
SK 9012.1 AZ .. - SK 9052.1 AZ ..

SK 9072.1 AZ .. - SK 9096.1 AZ ..



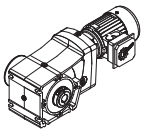
Type	A	B	B1	C	S
SK 9012.1 AZ .. SK 9013.1 AZ ..	152	60	-	46	M10 x 16
SK 9016.1 AZ .. SK 9017.1 AZ ..	152	60	-	46	M10 x 16
SK 9022.1 AZ .. SK 9023.1 AZ ..	152	100	-	42	M12 x 20
SK 9032.1 AZ .. SK 9033.1 AZ ..	190	110	-	55	M12 x 20
SK 9042.1 AZ .. SK 9043.1 AZ ..	220	130	-	68	M16 x 25
SK 9052.1 AZ .. SK 9053.1 AZ ..	277	185	-	92	M16 x 25
SK 9072.1 AZ .. SK 9072.1/32 AZ .. SK 9072.1/42 AZ ..	290	190	190	100	M24 x 36
SK 9082.1 AZ .. SK 9082.1/42 AZ .. SK 9082.1/52 AZ ..	430	260	260	140	M24 x 36
SK 9086.1 AZ .. SK 9086.1/52 AZ ..	430	320	320	160	M36 x 55
SK 9092.1 AZ .. SK 9092.1/52 AZ ..	520	400	400	180	M36 x 55
SK 9096.1 AZ .. SK 9096.1/62 AZ ..	580	440	440	220	M42 x 72

UNICASE™
Helical bevel gear units

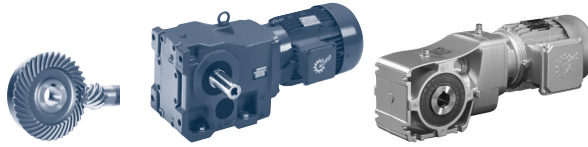


Type	a	a1	Bolt	c1	Ød *	h	h1	h2	l	l1	l2	l3	l4	l5	L	m1	m2	ME	o
SK 9012.1 SCP SK 9013.1 SCP	101,6	136,5	1/2"	18	38,1 3 x Ø17/32	232	112	190,5	228,6	22,2	76,2	76,2	54,0	136,5	437,4	211,8	233,3	10 40	69,8
SK 9012.1 SCP SK 9013.1 SCP	130,2	187,3	5/8"	19	50,8 3 x Ø21/32	232	112	190,5	228,6	22,2	76,2	76,2	54,0	136,5	446,8	221,4	242,9	10 40	79,2
SK 9012.1 SCP SK 9013.1 SCP	142,9	187,3	5/8"	19	61,9 3 x 21/32	232	112	190,5	246,1	23,8	76,2	76,2	69,8	138,1	464,3	221,4	242,9	10 40	79,2
SK 9016.1 SCP SK 9017.1 SCP	101,6	136,5	1/2"	18	38,1 3 x Ø17/32	232	112	190,5	228,6	22,2	76,2	76,2	54	136,5	437,4	211,8	233,3	10 40	69,8
SK 9016.1 SCP SK 9017.1 SCP	142,9	187,3	5/8"	19	61,9 3 x Ø21/32	232	112	190,5	246,1	23,8	76,2	76,2	69,8	138,1	464,3	221,4	242,9	10 40	79,2
SK 9022.1 SCP SK 9023.1 SCP	101,6	136,5	1/2"	18	38,1 3 x Ø17/32	281	143	239,5	228,6	22,2	76,2	76,2	54,0	136,5	466,4	241,8	262,0	14 44	69,8
SK 9022.1 SCP SK 9023.1 SCP	142,9	187,3	5/8"	19	61,9 3 x Ø21/32	281	143	239,5	246,1	23,8	76,2	76,2	69,8	138,1	493,5	251,4	271,6	14 44	79,4
SK 9032.1 SCP SK 9033.1 SCP	101,6	136,5	1/2"	18	38,1 3 x Ø17/32	335	180	293,5	228,6	22,2	76,2	76,2	54,0	136,5	495,5	281,4	304,6	24 74	69,8
SK 9032.1 SCP SK 9033.1 SCP	130,2	200	5/8"	18	50,8 3 x Ø21/32	335	180	293,3	228,6	22,2	76,2	76,2	54,0	136,5	505,0	281,4	304,6	24 74	79,4
SK 9032.1 SCP SK 9033.1 SCP	142,9	200	5/8"	18	61,9 3 x Ø21/32	335	180	293,5	246,1	23,8	76,2	76,2	69,9	138,1	522,5	281,4	304,6	24 74	79,4
SK 9032.1 SCP SK 9033.1 SCP	152,4	200	3/4"	18	76,2 3 x Ø25/32	335	180	293,5	250,8	25,4	76,2	76,2	73,0	139,7	527,2	281,4	304,6	24 74	79,4
SK 9042.1 SCP SK 9043.1 SCP	130,2	235,0	5/8"	18	50,8 3 x Ø21/32	400	217	350,5	228,6	22,2	76,2	76,2	54,0	136,5	537,3	313,7	340,5	36 97	85,7
SK 9042.1 SCP SK 9043.1 SCP	142,9	235,0	5/8"	18	61,9 3 x Ø21/32	400	217	350,5	246,1	23,8	76,2	76,2	69,9	138,1	554,8	313,7	340,5	36 97	85,7
SK 9042.1 SCP SK 9043.1 SCP	152,4	235	3/4"	18	76,2 3 x Ø25/32	400	217	350,5	250,8	25,4	76,2	76,2	73,0	139,7	559,5	313,8	340,6	36 97	85,7
SK 9042.1 SCP SK 9043.1 SCP	171,4	235	3/4"	18	87,3 3 x Ø29/32	400	217	350,5	333,4	31,8	101,6	101,6	98,4	184,1	642,1	313,7	340,5	36 97	85,7
SK 9052.1 SCP SK 9053.1 SCP	152,4	235,0	3/4"	19	76,2 3 x Ø25/32	479	262	420,5	250,8	25,4	76,2	76,2	73,0	139,7	632,0	386,2	415,1	41 117	95,2
SK 9052.1 SCP SK 9053.1 SCP	171,4	235,0	3/4"	19	87,3 3 x Ø29/32	479	262	420,5	333,4	31,8	101,6	101,6	98,4	184,1	714,5	326,2	415,1	41 117	95,2

UNICASE™
Helical bevel gear units

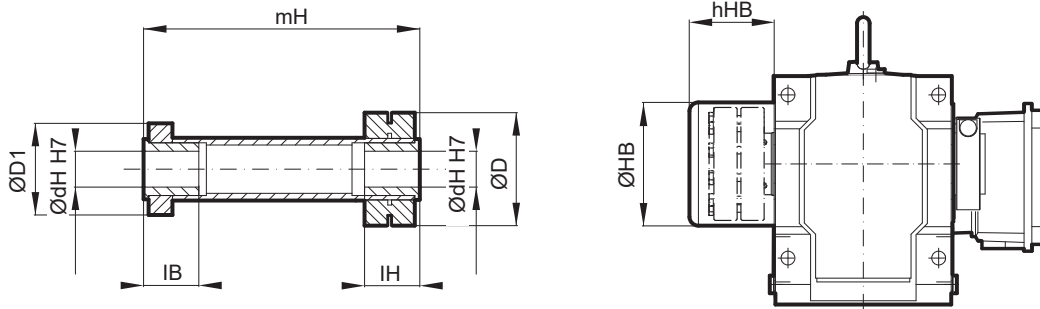


GRIPMAXX



NORD
DRIVESYSTEMS

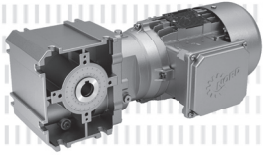
SK ... AMH, AZMH → A78



Type	ØdH H7	ØD	ØD1	IB	IH	mH	ØHB	hHB
SK 92072.1 AMH SK 93072.1 AMH	20 (25)	65	48	39	39	170	72	39
SK 92172.1 AMH SK 93172.1 AMH	20 (25,30)	80	57	49	49	190	86	51
SK 92372.1 AMH SK 93372.1 AMH	30 (35,40)	90	73	44	44	221	99	63
SK 92672.1 AMH SK 93672.1 AMH	35 (40,45,50)	125	82	49	49	247	128	63
SK 92772.1 AMH SK 93772.1 AMH	35 (40,45,50)	125	82	49	49	274	135	66
SK 9012.1 AZMH SK 9013.1 AZMH	30 (35)	90	73	44	44	220	99	67
SK 9016.1 AZMH SK 9017.1 AZMH	30 (35,40)	90	73	44	44	220	99	67
SK 9022.1 AZMH SK 9023.1 AZMH	35 (40)	112	73	49	49	258	119	69
SK 9032.1 AZMH SK 9033.1 AZMH	35 (40,45,50)	125	82	49	49	292	135	76
SK 9042.1 AZMH SK 9043.1 AZMH	45 (50,55,60)	156	96	69	69	337	182	95
SK 9052.1 AZMH SK 9053.1 AZMH	65 (70,75)	182	110	84	84	412	237	110
SK 9072.1 AZMH	85 (90,95)	231	143	88	88	476	258	115
SK 9082.1 AZMH	100 (105, 110)	266	160	86	86	538	306	134

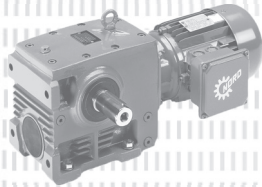
NORDBLOC.1 & UNICASE
Helical bevel gear units

UNICASE™ Worm gear units



ENQUIRY FORM F- 2

VERSIONS AVAILABLE F- 3

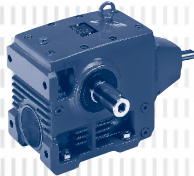


GEAR UNITMOTOR DATA

Power and speed tables F- 4

Power and speed tables

W, IEC, AI - adapte F- 31



DIMENSIONED DRAWINGS*

Worm geared motors F- 42

W, IEC, AI, NEMA - adapters F- 64



OPTIONS*

AZ Hollow shaft version - pin holes F- 70

AZH Cover as atouch guard F- 71

GRIPMAXX™ Fastening system NORD GRIPMAXX™ F- 72

* All specifications in mm unless otherwise indicated.

Enquiry form



This general enquiry form can be found in the attachment as well as on the NORD homepage under www.nord.com - Heading DOCUMENTATION / FORMS.



General Enquiry Form



Company: _____
 Customer number: _____
 Town / Zip Code/
 Country: _____
 Contact: _____
 E-Mail: _____
 Phone: _____

Please send the request to your local NORD contact.

See homepage:
www.nord.com
 (NORD group → Sales)



Reference: _____
 Date: _____

Geared motor	Adapter for IEC-/Nema-motor/Servo*	Stand alone motor (M7000)	
W – type (free input shaft): External forces: Axial F _{A1} : _____ [N] Radial F _{R1} : _____ [N]; Lever from shaft shoulder: _____ [mm]			
Gear type acc. to catalogue: _____		Quantity: _____	

Gearbox-specific parameter	Frequency inverter operation
Output speed n ₂ at line frequency: _____ [rpm]	Cabinet mounted Motor mounted
Output torque M ₂ : _____ [Nm]	Frequency range from: _____ [Hz] to _____ [Hz]
Ratio i: _____	Motor speed n ₁ : _____ [rpm] to _____ [rpm]
Mounting position (M1 – M6): _____	Constant torque within frequency range: _____ [Nm]
Flange: B14 B5 Ø _____ [mm]	Characteristic: 50 Hz 70 Hz 87 Hz 100 Hz
Hollow shaft Solid shaft Ø _____ x _____ [mm]	Encoder*: Incremental Absolute
Operating factor f _B : _____	Regenerative operation: Generated power _____ [kW]
Minimum bearing life L10h: _____ [h]	Ambient conditions
External forces at output: Axial F _{A2} : _____ [N]	Ambient temperature: min. _____ to max. _____ [°C]
Radial F _{R2} : _____ [N] Lever from shaft shoulder: _____ [mm]	Max. rel. humidity RH: _____ [%]
Bearing: normal VL VL2 VL3 AL	Max. installation height (if > 1.000 m): _____ [m]
Helical-bevel and Worm: A/B side for flange/shaft*	Indoor Outdoor Water contact* Direct sun light
Oil: Mineral Synthetic Food grade Bio-degradable	Other (dust/dirt/aggressive media; mechanical/chemical)*
Special oil: _____	ATEX
Motor-specific parameter	ATEX gas ATEX dust
Rated motor power P ₁ : _____ [kW]	Zone 1 Ex II 2G Zone 21 Ex II 2D
Motor speed n ₁ : _____ [rpm]	Zone 2 Ex II 3G Zone 22 Ex II 3D
PTC thermistors (TF) Bimetallic switches (TW)	Ex eb II T3 Non-conductive dust
Line voltage: _____ [V] Line frequency: _____ [Hz]	Ex de IIC T4 Conductive dust (only Zone 21)
Efficiency class: IE1 IE2 IE3 IE4	Paint / Surface treatment
Protection class: IP55 (Standard) IP _____	None 1.0 2.0 (Standard) 3.0 3. _____
Operating mode: S1 (Standard) S _____*	
Cycle rate: _____ [c/h]	Colour (RAL): Blue (5010) Grey (7031)
Cycle duty: _____ [%] Backstop (RLS)	Special colour (RAL-No. / Colour): _____
Ventilation: Standard External (F) None (OL)	Comments
Terminal box position: _____ Cable entries: _____	
Brake-specific parameter	
Brake torque M _B : _____ [Nm] Manual release (HL)	
Brake-/Coil voltage: _____ [V]	
Parking/emergency brake Working brake	
ATEX documentation, O&M manuals (language code according to ISO 639-1):	
DE BG ZH CS DA ES FI FR EN EL HU IT NL NO PL PT RU SV SK LV RO	

*Please add details in comments - Getriebebau NORD GmbH & Co. KG | Getriebebau-Nord-Str. 1 | D-22941 Bargteheide - EN-0919

Examples - available versions

with hollow shaft

SK 02050 AZ - 90 SP/4

Hollow shaft, B14 flange at A and B, two-stage



SK 12063 AF - 100 AP/4

Hollow shaft, B5 flange bei A two-stage



SK 13050 AZD - 71 SP/4

Hollow shaft, B14 flange at A and B, torque support at A, three-stage



SK 12080 AZSH - 100 AP/4

Hollow shaft, B14 flange at A and B, shrink disk with cover at B, two-stage



SK 42125 AZBH - 100 AP/4

Hollow shaft, B14 flange at A and B, fastening element with cover at A, two-stage



SK 43125 AZH - 100 AP/4

Hollow shaft, B14 flange at A and B, cover at A, three-stage



SK 32100 AZM - 100 AP/4

Hollow shaft, foot-mounted housing, B14 flange, GRIPMAXX™, two-stage



with solid shaft

SK 02040.1 VXZ - 90 SP/4

Solid shaft at A, foot-mounted housing, two-stage



SK 12080 - 100 AP/4

Solid shaft at A, foot-mounted housing, two-stage



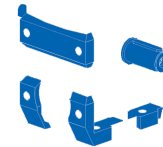
SK 13080 VF - 71 LP/4

Solid shaft at A, B5 flange at A, three-stage

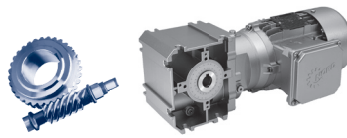


SK 33100 LX - 90 SP/4

Solid shaft at A and B, foot-mounted housing, three-stage

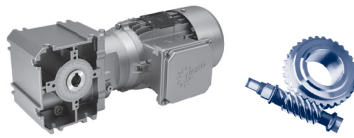


0,12 kW
0,18 kW



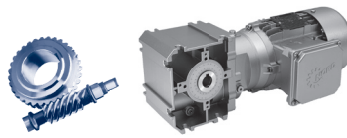
P_1 [kW]	n_2 [r/min]	M_2 [Nm]	f_B	i_{total}	F_R [kN]	F_A	$F_{R VL}$ [kN]	$F_{A VL}$	Type	kg	mm mm																																																																																																																																																																																												
0,12	57	16,5	4,2	24,00	3,5	4,0			SK 02040.1 - 63 SP/4		F42-43																																																																																																																																																																																												
	49	19,0	3,9	27,78	3,5	4,0																																																																																																																																																																																																	
	46	17,5	4,4	30,00	3,5	4,0																																																																																																																																																																																																	
	38	23,3	3,5	36,00	3,5	4,0																																																																																																																																																																																																	
	33	26,8	3,1	41,67	3,5	4,0																																																																																																																																																																																																	
	29	29,8	2,7	48,00	3,5	4,0																																																																																																																																																																																																	
	25	34,3	2,4	55,56	3,4	4,0																																																																																																																																																																																																	
	23	35,8	2,3	60,00	3,4	4,0																																																																																																																																																																																																	
	20	41,2	2,0	69,44	3,4	4,0																																																																																																																																																																																																	
	19	39,3	2,2	72,00	3,4	4,0																																																																																																																																																																																																	
	16	45,1	1,9	83,33	3,4	4,0																																																																																																																																																																																																	
	14	48,7	1,7	96,00	3,4	4,0																																																																																																																																																																																																	
	13	58,3	1,5	109,29	3,3	4,0																																																																																																																																																																																																	
	11	56,7	1,5	120,00	3,3	4,0																																																																																																																																																																																																	
	9,9	64,9	1,3	138,89	3,2	4,0																																																																																																																																																																																																	
	9,5	58,2	1,5	144,00	3,3	4,0																																																																																																																																																																																																	
	8,2	66,4	1,3	166,67	3,2	4,0																																																																																																																																																																																																	
	7,5	83,5	1,0	182,14	3,1	4,0																																																																																																																																																																																																	
	6,3	85,2	1,2	218,57	3,1	4,0																																																																																																																																																																																																	
0,18	5,0	* 123	0,8	275,00	1,6	4,0			SK 02040.1 - 63 LP/4		F42-43																																																																																																																																																																																												
	4,2	* 125	0,8	330,00	1,4	4,0						0,18	116	11,8	4,9	11,92	3,5	4,0			SK 02040.1 - 63 LP/4		F42-43	103	13,0	4,5	13,43	3,5	4,0			92	15,0	4,3	15,00	3,5	4,0			77	16,1	4,0	17,88	3,5	4,0			69	19,3	3,4	20,00	3,5	4,0			58	24,5	2,9	24,00	3,5	4,0			50	28,2	2,7	27,78	3,5	4,0			46	25,9	2,9	30,00	3,5	4,0			38	34,6	2,3	36,00	3,4	4,0			33	39,9	2,1	41,67	3,4	4,0			29	44,3	1,9	48,00	3,4	4,0			25	50,9	1,6	55,56	3,3	4,0			23	53,2	1,5	60,00	3,3	4,0			20	61,1	1,3	69,44	3,3	4,0			19	58,4	1,5	72,00	3,3	4,0			17	67,0	1,3	83,33	3,2	4,0			14	72,3	1,2	96,00	3,2	4,0			13	86,5	1,0	109,29	3,0	4,0			12	84,2	1,0	120,00	3,1	4,0			10	96,4	0,9	138,89	2,9	4,0			10	86,4	1,0	144,00	3,0	4,0			8,3	98,7	0,9	166,67	2,9	4,0			6,3	126	0,8	218,57	1,3	4,0		
	0,18	116	11,8	4,9	11,92	3,5	4,0							SK 02040.1 - 63 LP/4		F42-43																																																																																																																																																																																							
		103	13,0	4,5	13,43	3,5	4,0																																																																																																																																																																																																
		92	15,0	4,3	15,00	3,5	4,0																																																																																																																																																																																																
		77	16,1	4,0	17,88	3,5	4,0																																																																																																																																																																																																
		69	19,3	3,4	20,00	3,5	4,0																																																																																																																																																																																																
		58	24,5	2,9	24,00	3,5	4,0																																																																																																																																																																																																
		50	28,2	2,7	27,78	3,5	4,0																																																																																																																																																																																																
		46	25,9	2,9	30,00	3,5	4,0																																																																																																																																																																																																
		38	34,6	2,3	36,00	3,4	4,0																																																																																																																																																																																																
		33	39,9	2,1	41,67	3,4	4,0																																																																																																																																																																																																
		29	44,3	1,9	48,00	3,4	4,0																																																																																																																																																																																																
		25	50,9	1,6	55,56	3,3	4,0																																																																																																																																																																																																
		23	53,2	1,5	60,00	3,3	4,0																																																																																																																																																																																																
		20	61,1	1,3	69,44	3,3	4,0																																																																																																																																																																																																
		19	58,4	1,5	72,00	3,3	4,0																																																																																																																																																																																																
		17	67,0	1,3	83,33	3,2	4,0																																																																																																																																																																																																
		14	72,3	1,2	96,00	3,2	4,0																																																																																																																																																																																																
		13	86,5	1,0	109,29	3,0	4,0																																																																																																																																																																																																
12		84,2	1,0	120,00	3,1	4,0																																																																																																																																																																																																	
10		96,4	0,9	138,89	2,9	4,0																																																																																																																																																																																																	
10	86,4	1,0	144,00	3,0	4,0																																																																																																																																																																																																		
8,3	98,7	0,9	166,67	2,9	4,0																																																																																																																																																																																																		
6,3	126	0,8	218,57	1,3	4,0																																																																																																																																																																																																		

UNICASE™
Worm gear units



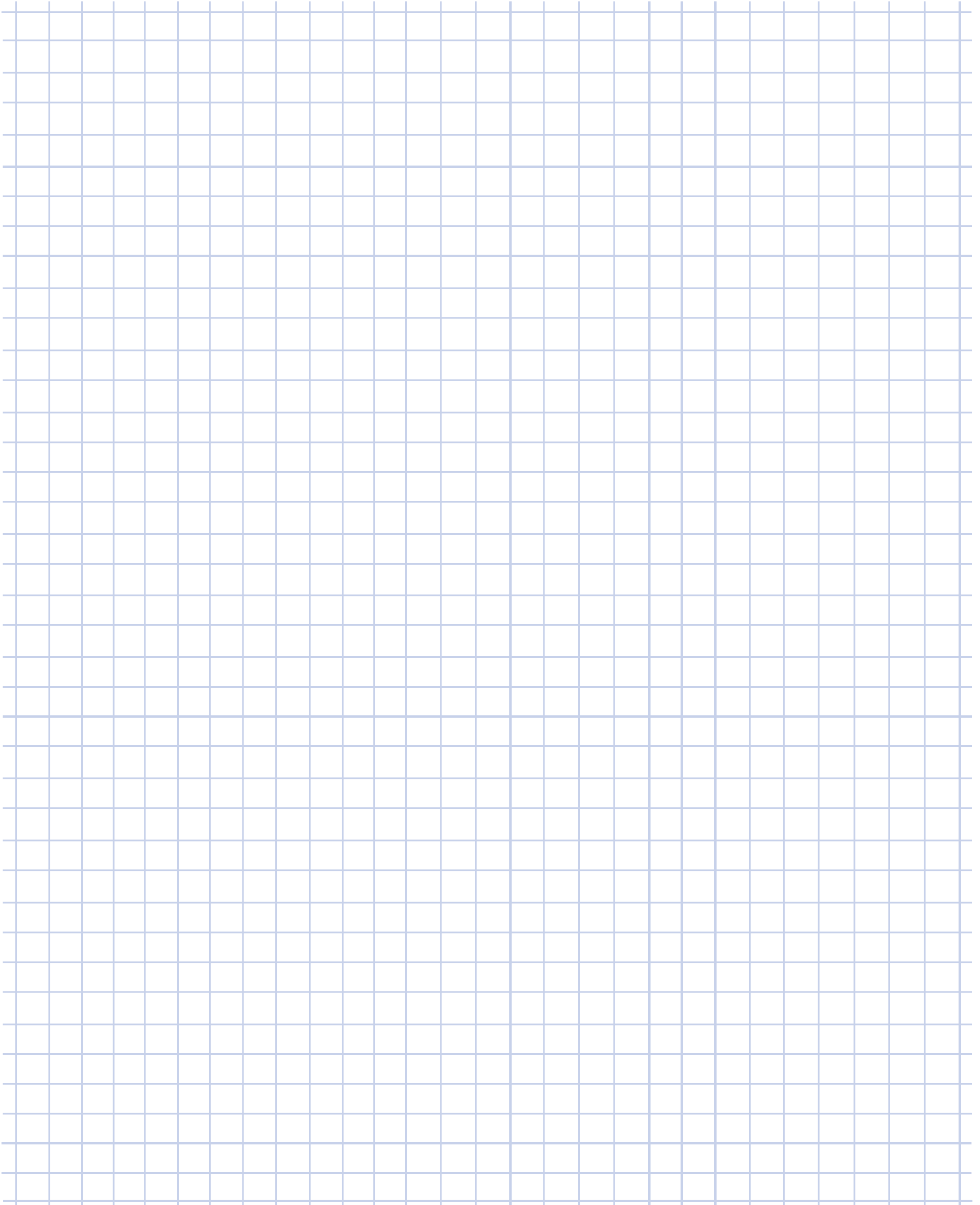
P_1 [kW]	n_2 [r/min]	M_2 [Nm]	f_B	i_{total}	F_R [kN]	F_A	$F_{R VL}$ [kN]	$F_{A VL}$	Type	kg	mm F42-43
0,25	176	11,2	4,9	8,06	3,5	4,0			SK 02040.1 - 71 SP/4		F42-43
	158	12,4	4,5	8,94	3,5	4,0					
	132	14,6	3,9	10,74	3,5	4,0					
	119	16,1	3,6	11,92	3,5	4,0					
	105	17,7	3,3	13,43	3,5	4,0					
	94	20,4	3,2	15,00	3,5	4,0					
	79	21,9	3,0	17,88	3,5	4,0					
	71	26,2	2,5	20,00	3,5	4,0					
	59	33,3	2,1	24,00	3,4	4,0					
	51	38,4	2,0	27,78	3,4	4,0					
	47	35,3	2,2	30,00	3,4	4,0					
	39	47,1	1,7	36,00	3,4	4,0					
	34	54,2	1,5	41,67	3,3	4,0					
	29	60,3	1,4	48,00	3,3	4,0					
	25	69,3	1,2	55,56	3,2	4,0					
	24	72,3	1,1	60,00	3,2	4,0					
	20	83,1	1,0	69,44	3,1	4,0					
	20	79,5	1,1	72,00	3,1	4,0					
	17	91,2	0,9	83,33	3,0	4,0					
15	98,4	0,9	96,00	2,9	4,0						
0,37	262	11,6	4,2	5,37	3,1	4,0			SK 02040.1 - 71 LP/4		
	236	12,9	4,0	5,96	3,2	4,0					
	174	16,7	3,3	8,06	3,5	4,0					
	157	18,5	3,0	8,94	3,5	4,0					
	131	21,7	2,6	10,74	3,5	4,0					
	118	23,9	2,4	11,92	3,5	4,0					
	105	26,4	2,2	13,43	3,5	4,0					
	94	30,3	2,1	15,00	3,4	4,0					
	79	32,6	2,0	17,88	3,4	4,0					
	70	39,1	1,7	20,00	3,4	4,0					
	59	49,7	1,4	24,00	3,4	4,0					
	51	57,3	1,3	27,78	3,3	4,0					
	47	52,6	1,4	30,00	3,3	4,0					
	39	70,2	1,2	36,00	3,2	4,0					
	34	80,8	1,0	41,67	3,1	4,0					
	29	89,8	0,9	48,00	3,0	4,0					
25	103	0,8	55,56	2,8	4,0						
23	108	0,8	60,00	2,6	4,0						

0,55 kW
0,75 kW
1,10 kW



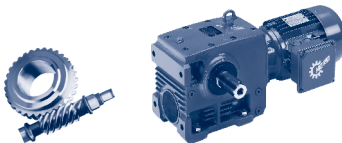
P_1 [kW]	n_2 [r/min]	M_2 [Nm]	f_B	i_{total}	F_R [kN]	F_A [kN]	$F_{R VL}$ [kN]	$F_{A VL}$ [kN]	Type	kg	mm F42-43
0,55	264	17,1	2,9	5,37	3,0	4,0			SK 02040.1 - 80 SP/4		F42-43
	238	19,0	2,7	5,96	3,1	4,0					
	176	24,6	2,2	8,06	3,4	4,0					
	159	27,2	2,1	8,94	3,5	4,0					
	132	31,9	1,8	10,74	3,4	4,0					
	119	35,2	1,6	11,92	3,4	4,0					
	106	38,8	1,5	13,43	3,4	4,0					
	95	44,6	1,5	15,00	3,4	4,0					
	79	47,9	1,4	17,88	3,4	4,0					
	71	57,5	1,1	20,00	3,3	4,0					
	59	73,1	1,0	24,00	3,2	4,0					
	47	77,4	1,0	30,00	3,1	4,0					
	39	103	0,8	36,00	2,8	4,0					
0,75	263	23,5	2,1	5,37	2,9	4,0			SK 02040.1 - 80 LP/4		F42-43
	237	26,0	2,0	5,96	3,0	4,0					
	176	33,7	1,6	8,06	3,3	4,0					
	158	37,2	1,5	8,94	3,4	4,0					
	132	43,7	1,3	10,74	3,4	4,0					
	119	48,2	1,2	11,92	3,4	4,0					
	105	53,1	1,1	13,43	3,3	4,0					
	94	61,1	1,1	15,00	3,3	4,0					
79	65,6	1,0	17,88	3,2	4,0						
71	78,7	0,8	20,00	3,1	4,0						
1,10	266	34,0	1,4	5,37	2,8	4,0			SK 02040.1 - 90 SP/4		F42-43
	240	37,7	1,4	5,96	2,8	4,0					
	178	48,9	1,1	8,06	3,1	4,0					
	160	54,1	1,0	8,94	3,2	4,0					
	133	63,4	0,9	10,74	3,3	4,0					
	120	70,0	0,8	11,92	3,2	4,0					
	107	77,0	0,8	13,43	3,1	4,0					

UNICASE™
Worm gear units



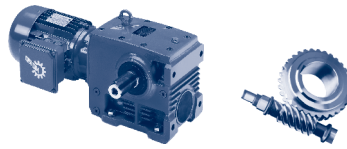
A large grid area for taking notes, consisting of a 20x20 grid of small squares. The grid is light blue and occupies most of the page.

0,12 kW



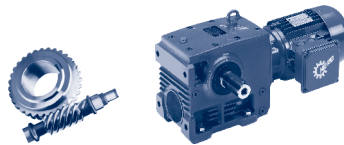
P_1 [kW]	n_2 [r/min]	M_2 [Nm]	f_B	i_{total}	F_R [kN]	F_A	$F_{R VL}$ [kN]	$F_{A VL}$	Type	kg	mm F44-45
0,12	24	34,5	4,9	57,38	5,0	7,2	5,0	8,0	SK 02050 - 63 SP/4	19,8	F44-45
	21	39,0	4,3	65,25	5,0	7,2	5,0	8,0			
	17	39,1	4,3	80,58	5,0	7,2	5,0	8,0			
	15	44,1	3,8	92,82	5,0	7,2	5,0	8,0			
	12	53,2	3,2	114,75	5,0	7,2	5,0	8,0			
	11	59,3	2,8	130,05	4,9	7,2	4,9	8,0			
	9,3	66,6	2,6	147,90	4,9	7,2	4,9	8,0			
	8,1	96,7	1,9	170,10	4,8	7,2	4,8	8,0			
	7,1	110	1,7	194,18	4,7	7,2	4,7	8,0			
	5,9	130	1,4	231,41	4,6	7,2	4,6	8,0			
	3,6	160	1,2	385,56	4,3	7,2	4,3	8,0			
	3,1	181	1,0	440,13	4,1	7,2	4,1	8,0			
	2,6	214	0,9	524,79	3,7	7,2	3,7	8,0			
	9,5	67,5	4,4	144,33	6,8	7,8	6,8	10,0	SK 12063 - 63 SP/4	23,8	F48-49
	8,4	74,6	4,2	162,18	6,8	7,8	6,8	10,0			
	7,5	83,1	3,9	183,60	6,8	7,8	6,8	10,0			
	7,0	111	3,2	# 195,86	6,7	7,8	6,7	10,0			
	6,1	125	2,9	# 223,17	6,6	7,8	6,6	10,0			
	5,2	147	2,4	# 264,24	6,6	7,8	6,6	10,0			
	2,9	191	1,9	# 464,61	6,4	7,8	6,4	10,0			
	2,6	215	1,7	# 529,38	6,3	7,8	6,3	10,0			
	2,2	252	1,4	# 626,79	6,0	7,8	6,0	10,0			
	4,9	158	4,5	# 276,92	12,3	12,0	12,3	12,0	SK 12080 - 63 SP/4	33,8	F52-53
	2,1	268	2,7	# 656,88	12,1	12,0	12,1	12,0			
	33	29,5	3,7	41,74	5,0	7,2	5,0	8,0	SK 13050 - 63 SP/4	24,8	F46-47
	29	33,7	3,3	48,08	5,0	7,2	5,0	8,0			
	23	41,6	3,1	59,44	5,0	7,2	5,0	8,0			
	20	47,0	2,8	67,37	5,0	7,2	5,0	8,0			
	18	53,4	2,6	76,61	5,0	7,2	5,0	8,0			
	16	56,7	3,2	86,15	4,9	7,2	4,9	8,0			
	14	64,9	2,9	99,23	4,9	7,2	4,9	8,0			
	11	80,0	2,4	122,68	4,9	7,2	4,9	8,0			
	9,9	90,3	2,2	139,04	4,8	7,2	4,8	8,0			
	8,7	103	1,9	158,12	4,8	7,2	4,8	8,0			
	7,5	103	1,9	181,66	4,8	7,2	4,8	8,0			
	6,6	118	1,7	209,25	4,7	7,2	4,7	8,0			
	4,7	164	1,2	293,19	4,3	7,2	4,3	8,0			
	4,1	186	1,0	333,43	4,1	7,2	4,1	8,0			
	3,3	170	1,1	411,76	4,2	7,2	4,2	8,0			
	2,9	194	1,0	474,31	4,0	7,2	4,0	8,0			
	2,3	* 238	0,8	586,37	3,4	7,2	3,4	8,0			
	2,1	* 244	0,8	664,56	2,2	5,6	5,0	8,0			
	1,8	* 244	0,8	755,77	2,2	5,6	5,0	8,0			
	1,6	* 244	0,8	869,21	2,0	5,6	5,0	8,0			
	1,4	* 244	0,8	992,23	2,0	5,6	5,0	8,0			
	1,0	* 244	0,8	1332,04	2,0	5,6	5,0	8,0			
	0,8	* 244	0,8	1746,09	2,2	5,6	5,0	8,0			
	0,7	* 244	0,8	1970,21	2,2	5,6	5,0	8,0			
	0,6	* 244	0,8	2249,06	2,2	5,6	5,0	8,0			
	0,5	* 244	0,8	3019,29	2,2	5,6	5,0	8,0			

only available in version .Z or .F



P_1 [kW]	n_2 [r/min]	M_2 [Nm]	f_B	i_{total}	F_R [kN]	F_A	$F_{R VL}$ [kN]	$F_{A VL}$	Type	kg	mm F50-51
0,12	21	45,7	3,7	65,20	6,8	7,8	6,8	10,0	SK 13063 - 63 SP/4	28,8	F50-51
	17	55,7	3,6	79,54	6,8	7,8	6,8	10,0			
	14	63,0	3,6	97,03	6,8	7,8	6,8	10,0			
	12	73,5	3,5	114,04	6,8	7,8	6,8	10,0			
	11	82,7	3,6	128,53	6,8	7,8	6,8	10,0			
	9,4	93,5	3,5	146,17	6,7	7,8	6,7	10,0			
	7,7	114	3,0	178,31	6,7	7,8	6,7	10,0			
	6,9	112	3,2	198,86	6,7	7,8	6,7	10,0			
	6,1	126	2,9	224,12	6,6	7,8	6,6	10,0			
	5,4	142	2,6	254,89	6,6	7,8	6,6	10,0			
	4,4	173	2,2	310,92	6,5	7,8	6,5	10,0			
	3,9	193	2,0	349,37	6,4	7,8	6,4	10,0			
	3,5	218	1,7	395,51	6,2	7,8	6,2	10,0			
	2,9	193	2,0	471,70	6,4	7,8	6,4	10,0			
	2,6	216	1,8	531,64	6,2	7,8	6,2	10,0			
	2,3	243	1,6	604,62	6,1	7,8	6,1	10,0			
	1,9	294	1,3	737,53	5,7	7,8	5,7	10,0			
	1,5	369	1,0	938,20	4,9	7,8	4,9	10,0			
	1,2	* 475	0,8	1140,40	0	7,7	6,5	10,0			
	1,0	* 475	0,8	1343,63	0	7,7	6,5	10,0			
0,6	* 475	0,8	2110,94	0	7,7	6,5	10,0				
0,6	* 475	0,8	2374,16	0	7,7	6,5	10,0				
0,5	* 475	0,8	2705,13	0	7,7	6,5	10,0				
0,4	* 475	0,8	3631,55	0	7,7	6,5	10,0				
14	64,8	3,6	97,65	12,1	12,0	12,4	12,0	SK 13080 - 63 SP/4	38,8	F54-55	
12	72,7	3,6	109,80	12,4	12,0	12,4	12,0				
11	84,1	3,6	127,74	12,4	12,0	12,4	12,0				
9,6	93,6	3,6	143,05	12,4	12,0	12,4	12,0				
8,4	106	3,6	163,11	12,4	12,0	12,4	12,0				
7,1	126	3,6	193,73	12,4	12,0	12,4	12,0				
6,0	132	4,3	228,52	12,4	12,0	12,4	12,0				
5,1	152	3,7	265,87	12,3	12,0	12,3	12,0				
4,6	169	3,6	297,73	12,3	12,0	12,3	12,0				
4,0	192	3,7	339,48	12,3	12,0	12,3	12,0				
3,4	226	3,4	403,20	12,2	12,0	12,2	12,0				
2,8	202	3,8	482,13	12,3	12,0	12,3	12,0				
2,5	225	3,4	542,07	12,2	12,0	12,2	12,0				
2,2	258	3,0	630,68	12,1	12,0	12,1	12,0				
1,9	286	2,7	706,25	12,1	12,0	12,1	12,0				
1,7	323	2,4	805,28	12,0	12,0	12,0	12,0				
1,4	379	2,0	956,44	11,8	12,0	11,8	12,0				
1,1	469	1,6	1198,81	11,4	12,0	11,4	12,0				
0,7	788	1,0	2058,82	9,1	12,0	9,1	12,0				
0,5	* 963	0,8	2658,22	0	9,0	6,0	12,0				
0,4	* 963	0,8	3356,66	0	9,0	6,0	12,0				
1,2	473	3,4	1175,19	16,2	16,0	16,2	16,0	SK 33100 - 63 SP/4	67,8	F58-59	
0,9	598	2,7	1507,71	16,2	16,0	16,2	16,0				
0,8	660	2,4	1671,69	16,1	16,0	16,1	16,0				
0,6	859	1,9	2200,07	15,5	16,0	15,5	16,0				
0,4	1432	1,1	3735,10	12,3	16,0	12,3	16,0				
0,3	1773	0,9	4646,10	8,8	16,0	8,8	16,0				
0,2	* 1988	0,8	5875,95	0	12,0	6,9	16,0				

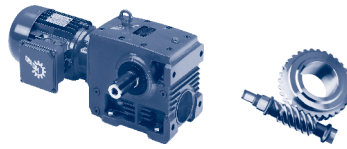
0,18 kW



P_1 [kW]	n_2 [r/min]	M_2 [Nm]	f_B	i_{total}	F_R [kN]	F_A	$F_{R VL}$ [kN]	$F_{A VL}$	Type	kg	mm F44-45
0,18	45	31,2	5,0	30,94	4,9	7,2	5,0	8,0	SK 02050 - 63 LP/4	20,7	F44-45
	39	32,9	4,7	35,55	5,0	7,2	5,0	8,0			
	34	37,5	4,1	40,95	5,0	7,2	5,0	8,0			
	27	45,7	3,4	50,63	5,0	7,2	5,0	8,0			
	24	51,3	3,3	57,38	5,0	7,2	5,0	8,0			
	21	57,9	2,9	65,25	4,9	7,2	4,9	8,0			
	17	58,0	2,9	80,58	4,9	7,2	4,9	8,0			
	15	65,5	2,6	92,82	4,9	7,2	4,9	8,0			
	12	79,0	2,1	114,75	4,9	7,2	4,9	8,0			
	11	88,1	1,9	130,05	4,8	7,2	4,8	8,0			
	9,4	98,9	1,8	147,90	4,8	7,2	4,8	8,0			
	8,1	143	1,3	170,10	4,5	7,2	4,5	8,0			
	7,1	163	1,1	194,18	4,3	7,2	4,3	8,0			
	6,0	193	1,0	231,41	4,0	7,2	4,0	8,0			
	20	61,6	4,8	68,37	6,8	7,8	6,8	10,0	SK 12063 - 63 LP/4	24,7	F48-49
	18	69,0	4,4	77,40	6,8	7,8	6,8	10,0			
	15	68,2	4,3	92,31	6,8	7,8	6,8	10,0			
	13	75,7	3,9	104,04	6,8	7,8	6,8	10,0			
	12	84,4	3,5	118,32	6,8	7,8	6,8	10,0			
	9,6	100	3,0	144,33	6,7	7,8	6,7	10,0			
	8,5	111	2,8	162,18	6,7	7,8	6,7	10,0			
	7,5	123	2,6	183,60	6,7	7,8	6,7	10,0			
	7,1	165	2,2	# 195,86	6,5	7,8	6,5	10,0			
	6,2	186	1,9	# 223,17	6,4	7,8	6,4	10,0			
	5,2	219	1,6	# 264,24	6,2	7,8	6,2	10,0			
	3,0	283	1,3	# 464,61	5,8	7,8	5,8	10,0			
	2,6	319	1,1	# 529,38	5,5	7,8	5,5	10,0			
	2,2	374	1,0	# 626,79	4,8	7,8	4,8	10,0			
	5,9	160	4,4	234,60	12,3	12,0	12,3	12,0	SK 12080 - 63 LP/4	34,7	F52-53
	5,0	234	3,0	# 276,92	12,2	12,0	12,2	12,0			
	2,1	397	1,8	# 656,88	11,7	12,0	11,7	12,0			
	33	43,7	2,5	41,74	5,0	7,2	5,0	8,0	SK 13050 - 63 LP/4	25,7	F46-47
	29	50,1	2,2	48,08	5,0	7,2	5,0	8,0			
	23	61,7	2,1	59,44	4,9	7,2	4,9	8,0			
	21	69,7	1,9	67,37	4,9	7,2	4,9	8,0			
	18	79,3	1,8	76,61	4,9	7,2	4,9	8,0			
	16	84,2	2,1	86,15	4,8	7,2	4,8	8,0			
	14	96,4	2,0	99,23	4,8	7,2	4,8	8,0			
	11	119	1,6	122,68	4,7	7,2	4,7	8,0			
	10	134	1,5	139,04	4,6	7,2	4,6	8,0			
	8,8	152	1,3	158,12	4,4	7,2	4,4	8,0			
	7,6	153	1,3	181,66	4,4	7,2	4,4	8,0			
	6,6	175	1,1	209,25	4,2	7,2	4,2	8,0			
	4,7	243	0,8	293,19	3,3	7,2	3,3	8,0			
	21	67,8	2,5	65,20	6,6	7,8	6,8	10,0			
	17	82,6	2,4	79,54	6,8	7,8	6,8	10,0			
	14	93,6	2,5	97,03	6,7	7,8	6,7	10,0			
	12	109	2,4	114,04	6,7	7,8	6,7	10,0			
	11	123	2,4	128,53	6,7	7,8	6,7	10,0			
	9,5	139	2,4	146,17	6,6	7,8	6,6	10,0			
	7,8	169	2,0	178,31	6,5	7,8	6,5	10,0			
	7,0	167	2,2	198,86	6,5	7,8	6,5	10,0			
	6,2	187	2,0	224,12	6,4	7,8	6,4	10,0			

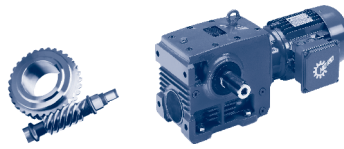
only available in version .Z or .F

UNICASE™
Worm gear units



P_1 [kW]	n_2 [r/min]	M_2 [Nm]	f_B	i_{total}	F_R [kN]	F_A	$F_{R VL}$ [kN]	$F_{A VL}$	Type	kg	mm F50-51
0,18	5,4	211	1,7	254,89	6,3	7,8	6,3	10,0	SK 13063 - 63 LP/4	29,7	F50-51
	4,4	256	1,5	310,92	6,0	7,8	6,0	10,0			
	4,0	287	1,3	349,37	5,8	7,8	5,8	10,0			
	3,5	323	1,2	395,51	5,4	7,8	5,4	10,0			
	2,9	287	1,3	471,70	5,8	7,8	5,8	10,0			
	2,6	321	1,2	531,64	5,4	7,8	5,4	10,0			
	2,3	361	1,1	604,62	5,0	7,8	5,0	10,0			
1,9	436	0,9	737,53	3,9	7,8	3,9	10,0				
0,18	14	96,1	2,4	97,65	11,8	12,0	12,4	12,0	SK 13080 - 63 LP/4	39,7	F54-55
	13	108	2,4	109,80	12,3	12,0	12,4	12,0			
	11	125	2,4	127,74	12,4	12,0	12,4	12,0			
	9,7	139	2,4	143,05	12,4	12,0	12,4	12,0			
	8,5	158	2,4	163,11	12,3	12,0	12,3	12,0			
	7,2	186	2,4	193,73	12,3	12,0	12,3	12,0			
	6,0	196	2,9	228,52	12,3	12,0	12,3	12,0			
	5,2	226	2,5	265,87	12,2	12,0	12,2	12,0			
	4,7	251	2,4	297,73	12,2	12,0	12,2	12,0			
	4,1	284	2,5	339,48	12,1	12,0	12,1	12,0			
	3,4	335	2,3	403,20	11,9	12,0	11,9	12,0			
	2,9	300	2,6	482,13	12,0	12,0	12,0	12,0			
	2,6	334	2,3	542,07	11,9	12,0	11,9	12,0			
	2,2	383	2,0	630,68	11,7	12,0	11,7	12,0			
	2	425	1,8	706,25	11,6	12,0	11,6	12,0			
	1,7	480	1,6	805,28	11,3	12,0	11,3	12,0			
1,4	563	1,4	956,44	10,9	12,0	10,9	12,0				
1,2	697	1,1	1198,81	9,9	12,0	9,9	12,0				
0,18	2,7	336	4,7	519,31	16,2	16,0	16,2	16,0	SK 33100 - 63 LP/4	68,7	F58-59
	2,1	415	3,8	660,60	16,2	16,0	16,2	16,0			
	1,2	703	2,3	1175,19	16,0	16,0	16,0	16,0			
	0,9	888	1,8	1507,71	15,4	16,0	15,4	16,0			
	0,8	979	1,6	1671,69	15,0	16,0	15,0	16,0			
	0,6	1274	1,2	2200,07	13,4	16,0	13,4	16,0			
0,25	59	33,3	4,7	24,01	4,4	7,2	5,0	8,0	SK 02050 - 71 SP/4	22,1	F44-45
	52	37,5	4,1	27,21	4,6	7,2	5,0	8,0			
	46	42,5	3,6	30,94	4,8	7,2	5,0	8,0			
	40	44,8	3,5	35,55	5,0	7,2	5,0	8,0			
	35	51,0	3,0	40,95	5,0	7,2	5,0	8,0			
	28	62,2	2,5	50,63	4,9	7,2	4,9	8,0			
	25	69,8	2,4	57,38	4,9	7,2	4,9	8,0			
	22	78,8	2,1	65,25	4,9	7,2	4,9	8,0			
	18	79,1	2,1	80,58	4,9	7,2	4,9	8,0			
	15	89,3	1,9	92,82	4,8	7,2	4,8	8,0			
	12	108	1,6	114,75	4,7	7,2	4,7	8,0			
	11	120	1,4	130,05	4,7	7,2	4,7	8,0			
	9,6	135	1,3	147,90	4,6	7,2	4,6	8,0			
	8,3	195	0,9	170,10	4,0	7,2	4,0	8,0			
7,3	222	0,8	194,18	3,6	7,2	3,6	8,0				
0,25	36	49,9	4,9	38,92	5,7	7,8	6,8	10,0	SK 12063 - 71 SP/4	26,1	F48-49
	32	55,8	4,5	43,86	5,9	7,8	6,8	10,0			
	28	62,7	4,2	49,88	6,2	7,8	6,8	10,0			
	23	75,4	3,7	60,85	6,5	7,8	6,8	10,0			
	21	83,9	3,5	68,37	6,8	7,8	6,8	10,0			
	18	94,0	3,2	77,40	6,7	7,8	6,7	10,0			

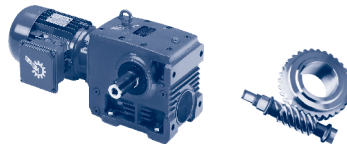
0,25 kW



P_1 [kW]	n_2 [r/min]	M_2 [Nm]	f_B	i_{total}	F_R [kN]	F_A	$F_{R VL}$ [kN]	$F_{A VL}$	Type	kg	mm F48-49
0,25	15	93	3,2	92,31	6,7	7,8	6,7	10,0	SK 12063 - 71 SP/4	26,1	F48-49
	14	103	2,9	104,04	6,7	7,8	6,7	10,0			
	12	115	2,6	118,32	6,7	7,8	6,7	10,0			
	9,8	137	2,2	144,33	6,6	7,8	6,6	10,0			
	8,7	151	2,1	162,18	6,6	7,8	6,6	10,0			
	7,7	168	1,9	183,60	6,5	7,8	6,5	10,0			
	7,2	224	1,6	# 195,86	6,2	7,8	6,2	10,0			
	6,3	253	1,4	# 223,17	6,0	7,8	6,0	10,0			
	5,4	298	1,2	# 264,24	5,7	7,8	5,7	10,0			
	3,4	346	1,0	# 413,10	5,2	7,8	5,2	10,0			
	3,0	386	0,9	# 464,61	4,7	7,8	4,7	10,0			
	2,7	435	0,8	# 529,38	3,9	7,8	3,9	10,0			
		11	127	4,9	123,42	12,4	12,0	12,4			
	10	139	4,6	138,21	12,4	12,0	12,4	12,0			
	9,0	156	4,3	157,59	12,3	12,0	12,3	12,0			
	7,6	180	3,7	187,17	12,3	12,0	12,3	12,0			
	6,0	218	3,3	234,60	12,2	12,0	12,2	12,0			
	5,1	319	2,2	# 276,92	12,0	12,0	12,0	12,0			
	2,7	438	1,6	# 520,20	11,5	12,0	11,5	12,0			
	2,2	541	1,3	# 656,88	11,0	12,0	11,0	12,0			
	34	59,5	1,9	41,74	4,9	7,2	4,9	8,0	SK 13050 - 71 SP/4	27,1	F46-47
	29	68,1	1,6	48,08	4,9	7,2	4,9	8,0			
	24	84,0	1,5	59,44	4,8	7,2	4,8	8,0			
	21	94,8	1,4	67,37	4,8	7,2	4,8	8,0			
	18	108	1,3	76,61	4,7	7,2	4,7	8,0			
	16	115	1,6	86,15	4,7	7,2	4,7	8,0			
	14	131	1,4	99,23	4,6	7,2	4,6	8,0			
	12	161	1,2	122,68	4,3	7,2	4,3	8,0			
	10	182	1,1	139,04	4,1	7,2	4,1	8,0			
	8,9	207	0,9	158,12	3,8	7,2	3,8	8,0			
	7,8	209	0,9	181,66	3,8	7,2	3,8	8,0			
	6,8	238	0,8	209,25	3,3	7,2	3,3	8,0			
	22	92,3	1,8	65,20	6,3	7,8	6,7	10,0	SK 13063 - 71 SP/4	31,1	F50-51
	18	112	1,8	79,54	6,6	7,8	6,7	10,0			
	15	127	1,8	97,03	6,6	7,8	6,6	10,0			
	12	148	1,8	114,04	6,6	7,8	6,6	10,0			
	11	167	1,8	128,53	6,5	7,8	6,5	10,0			
	9,7	189	1,7	146,17	6,4	7,8	6,4	10,0			
	7,9	229	1,5	178,31	6,2	7,8	6,2	10,0			
	7,1	227	1,6	198,86	6,2	7,8	6,2	10,0			
	6,3	255	1,5	224,12	6,0	7,8	6,0	10,0			
	5,6	288	1,3	254,89	5,7	7,8	5,7	10,0			
	4,5	349	1,1	310,92	5,1	7,8	5,1	10,0			
	4,0	390	1,0	349,37	4,6	7,8	4,6	10,0			
	3,6	440	0,9	395,51	3,8	7,8	3,8	10,0			
	3	391	1,0	471,70	4,6	7,8	4,6	10,0			
	2,7	437	0,9	531,64	3,9	7,8	3,9	10,0			
	15	131	1,8	97,65	11,5	12,0	12,4	12,0	SK 13080 - 71 SP/4	41,1	F54-55
	13	147	1,8	109,80	11,9	12,0	12,4	12,0			
	11	170	1,8	127,74	12,3	12,0	12,3	12,0			
	9,9	189	1,8	143,05	12,3	12,0	12,3	12,0			
	8,7	215	1,8	163,11	12,2	12,0	12,2	12,0			

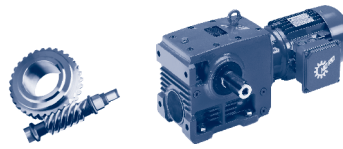
only available in version .Z or .F

UNICASE™
Worm gear units



P_1 [kW]	n_2 [r/min]	M_2 [Nm]	f_B	i_{total}	F_R [kN]	F_A	$F_{R VL}$ [kN]	$F_{A VL}$	Type	kg	mm F54-55
0,25	7,3	254	1,8	193,73	12,1	12,0	12,1	12,0	SK 13080 - 71 SP/4	41,1	F54-55
	6,2	266	2,1	228,52	12,1	12,0	12,1	12,0			
	5,3	307	1,9	265,87	12,0	12,0	12,0	12,0			
	4,8	341	1,8	297,73	11,9	12,0	11,9	12,0			
	4,2	387	1,8	339,48	11,7	12,0	11,7	12,0			
	3,5	456	1,7	403,20	11,4	12,0	11,4	12,0			
	2,9	408	1,9	482,13	11,6	12,0	11,6	12,0			
	2,6	455	1,7	542,07	11,4	12,0	11,4	12,0			
	2,2	522	1,5	630,68	11,1	12,0	11,1	12,0			
	2,0	578	1,3	706,25	10,8	12,0	10,8	12,0			
	1,8	653	1,2	805,28	10,3	12,0	10,3	12,0			
	1,5	766	1,0	956,44	9,3	12,0	9,3	12,0			
	1,2	948	0,8	1198,81	7,1	12,0	7,1	12,0			
		2,2	554	2,6	645	16,2	16,0	16,2			
	5,5	306	4,9	257,63	16,2	16,0	16,2	16,0	SK 33100 - 71 SP/4	70,1	F58-59
	3,9	337	4,5	365,07	16,2	16,0	16,2	16,0			
	3,0	418	3,8	468,37	16,2	16,0	16,2	16,0			
	2,7	458	3,5	519,31	16,2	16,0	16,2	16,0			
	2,1	566	2,8	660,60	16,2	16,0	16,2	16,0			
	1,2	957	1,7	1175,19	15,1	16,0	15,1	16,0			
	0,9	1209	1,3	1507,71	13,8	16,0	13,8	16,0			
	0,8	1333	1,2	1671,69	13,0	16,0	13,0	16,0			
	0,6	1734	0,9	2200,07	9,3	16,0	9,3	16,0			
	1,2	1029	3,0	1198,50	22,5	27,0	22,5	28,0	SK 43125 - 71 SP/4	119,1	F62-63
	1,0	1247	2,5	1476,55	22,1	27,0	22,1	28,0			
	0,9	1376	2,2	1639,55	21,7	27,0	21,7	28,0			
	0,8	1552	2,0	1860,07	21,3	27,0	21,3	28,0			
	0,7	1705	1,8	2056,63	20,8	27,0	20,8	28,0			
	0,6	2075	1,5	2526,44	19,4	27,0	19,4	28,0			
	0,4	2793	1,1	3442,09	15,3	27,0	15,3	28,0			
0,37	121	25,5	4,4	11,63	3,4	6,2	5,0	8,0	SK 02050 - 71 LP/4	23,2	F44-45
	107	28,7	4,2	13,18	3,5	6,4	5,0	8,0			
	95	31,2	3,6	14,72	3,8	7,1	5,0	8,0			
	83	35,4	3,4	16,86	3,9	7,2	5,0	8,0			
	72	40,4	3,6	19,42	4,1	7,2	5,0	8,0			
	59	49,6	3,1	24,01	4,3	7,2	5,0	8,0			
	52	55,8	2,8	27,21	4,4	7,2	4,9	8,0			
	45	63,3	2,4	30,94	4,6	7,2	4,9	8,0			
	39	66,8	2,3	35,55	4,9	7,2	4,9	8,0			
	34	76,0	2,0	40,95	4,9	7,2	4,9	8,0			
	28	92,7	1,7	50,63	4,8	7,2	4,8	8,0			
	25	104	1,6	57,38	4,7	7,2	4,7	8,0			
	22	117	1,4	65,25	4,7	7,2	4,7	8,0			
	17	118	1,4	80,58	4,7	7,2	4,7	8,0			
	15	133	1,3	92,82	4,6	7,2	4,6	8,0			
	12	160	1,0	114,75	4,3	7,2	4,3	8,0			
	11	179	0,9	130,05	4,2	7,2	4,2	8,0			
	9,5	201	0,9	147,90	3,9	7,2	3,9	8,0			

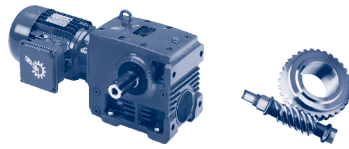
0,37 kW



P_1 [kW]	n_2 [r/min]	M_2 [Nm]	f_B	i_{total}	F_R [kN]	F_A	$F_{R VL}$ [kN]	$F_{A VL}$	Type	kg	mm
0,37	56	52,5	4,7	25,15	4,9	7,8	6,8	10,0	SK 12063 - 71 LP/4	27,2	F48-49
	49	59,2	4,1	28,61	5,1	7,8	6,8	10,0			
	40	71,6	3,7	34,89	5,3	7,8	6,8	10,0			
	36	74,3	3,3	38,92	5,6	7,8	6,8	10,0			
	32	83,1	3,0	43,86	5,8	7,8	6,8	10,0			
	28	93,4	2,8	49,88	6,0	7,8	6,7	10,0			
	23	112	2,5	60,85	6,3	7,8	6,7	10,0			
	21	125	2,4	68,37	6,5	7,8	6,7	10,0			
	18	140	2,2	77,40	6,6	7,8	6,6	10,0			
	15	138	2,1	92,31	6,6	7,8	6,6	10,0			
	13	154	1,9	104,04	6,5	7,8	6,5	10,0			
	12	171	1,7	118,32	6,5	7,8	6,5	10,0			
	9,7	204	1,5	144,33	6,3	7,8	6,3	10,0			
	8,7	225	1,4	162,18	6,2	7,8	6,2	10,0			
	7,7	251	1,3	183,60	6,0	7,8	6,0	10,0			
	7,2	334	1,1	# 195,86	5,3	7,8	5,3	10,0			
	6,3	378	1,0	# 223,17	4,8	7,8	4,8	10,0			
		21	127	5,0	66,44	10,2	12,0	12,4			
	18	148	4,4	78,91	10,7	12,0	12,3	12,0			
	15	150	3,7	94,35	11,5	12,0	12,3	12,0			
	13	166	3,5	106,08	11,9	12,0	12,3	12,0			
	11	189	3,3	123,42	12,3	12,0	12,3	12,0			
	10	207	3,1	138,21	12,2	12,0	12,2	12,0			
	8,9	232	2,9	157,59	12,2	12,0	12,2	12,0			
	7,5	268	2,5	187,17	12,1	12,0	12,1	12,0			
	6,0	325	2,2	234,60	11,9	12,0	11,9	12,0			
	5,1	475	1,5	# 276,92	11,3	12,0	11,3	12,0			
	2,7	653	1,1	# 520,20	10,3	12,0	10,3	12,0			
	2,1	806	0,9	# 656,88	8,9	12,0	8,9	12,0			
	34	88,6	1,2	41,74	4,6	7,2	4,8	8,0	SK 13050 - 71 LP/4	28,2	F46-47
	29	101	1,1	48,08	4,7	7,2	4,8	8,0			
	24	125	1,0	59,44	4,6	7,2	4,6	8,0			
	21	141	0,9	67,37	4,5	7,2	4,5	8,0			
	18	161	0,9	76,61	4,3	7,2	4,3	8,0			
	16	171	1,1	86,15	4,2	7,2	4,2	8,0			
	14	195	1,0	99,23	4,0	7,2	4,0	8,0			
	11	241	0,8	122,68	3,3	7,2	3,3	8,0			
	22	138	1,2	65,20	5,8	7,8	6,6	10,0	SK 13063 - 71 LP/4	32,2	F50-51
	18	167	1,2	79,54	6,0	7,8	6,5	10,0			
	14	190	1,2	97,03	6,4	7,8	6,4	10,0			
	12	221	1,2	114,04	6,2	7,8	6,2	10,0			
	11	249	1,2	128,53	6,0	7,8	6,0	10,0			
	9,6	281	1,2	146,17	5,8	7,8	5,8	10,0			
	7,9	342	1,0	178,31	5,2	7,8	5,2	10,0			
	7,1	338	1,1	198,86	5,3	7,8	5,3	10,0			
	6,3	380	1,0	224,12	4,8	7,8	4,8	10,0			
	5,5	429	0,9	254,89	4,0	7,8	4,0	10,0			
	14	195	1,2	97,65	11,2	12,0	12,3	12,0	SK 13080 - 71 LP/4	42,2	F54-55
	13	219	1,2	109,80	11,5	12,0	12,2	12,0			
	11	253	1,2	127,74	12,0	12,0	12,1	12,0			
	9,8	282	1,2	143,05	12,1	12,0	12,1	12,0			
	8,6	320	1,2	163,11	12,0	12,0	12,0	12,0			

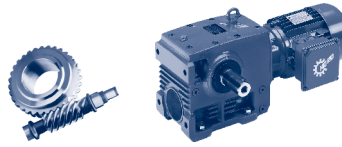
only available in version .Z or .F

UNICASE™
Worm gear units



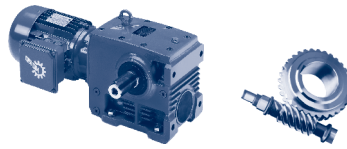
P_1 [kW]	n_2 [r/min]	M_2 [Nm]	f_B	i_{total}	F_R [kN]	F_A	$F_{R VL}$ [kN]	$F_{A VL}$	Type	kg	mm			
0,37	7,3	378	1,2	193,73	11,8	12,0	11,8	12,0	SK 13080 - 71 LP/4	42,2	F54-55			
	6,1	397	1,4	228,52	11,7	12,0	11,7	12,0						
	5,3	458	1,2	265,87	11,4	12,0	11,4	12,0						
	4,7	509	1,2	297,73	11,2	12,0	11,2	12,0						
	4,1	577	1,2	339,48	10,8	12,0	10,8	12,0						
	3,5	679	1,1	403,20	10,1	12,0	10,1	12,0						
	2,9	608	1,3	482,13	10,6	12,0	10,6	12,0						
	2,6	678	1,1	542,07	10,1	12,0	10,1	12,0						
	2,2	778	1,0	630,68	9,2	12,0	9,2	12,0						
	2	862	0,9	706,25	8,3	12,0	8,3	12,0						
	7,7	281	4,9	183,50	16,2	16,0	16,2	16,0				SK 32100 - 71 LP/4	63,2	F56-57
	5,8	354	4,0	241,50	16,2	16,0	16,2	16,0						
	2,2	826	1,7	645,00	15,6	16,0	15,6	16,0						
	12	243	4,9	121,21	16,2	16,0	16,2	16,0				SK 33100 - 71 LP/4	71,2	F58-59
	9,9	263	5,0	142,38	16,2	16,0	16,2	16,0						
	7,7	331	4,3	182,66	16,2	16,0	16,2	16,0						
	5,5	456	3,3	257,63	16,2	16,0	16,2	16,0						
	4,7	423	3,6	299,28	16,2	16,0	16,2	16,0						
	3,8	502	3,0	365,07	16,2	16,0	16,2	16,0						
	3,0	623	2,6	468,37	16,2	16,0	16,2	16,0						
	2,7	682	2,3	519,31	16,1	16,0	16,1	16,0						
	2,1	843	1,9	660,60	15,5	16,0	15,5	16,0						
	1,2	1426	1,1	1175,19	12,3	16,0	12,3	16,0						
	0,9	1801	0,9	1507,71	8,4	16,0	8,4	16,0						
	0,8	1986	0,8	1671,69	4,8	16,0	4,8	16,0						
	1,2	1533	2,0	1198,50	21,3	27,0	21,3	28,0	SK 43125 - 71 LP/4	120,2	F62-63			
	1,0	1858	1,7	1476,55	20,2	27,0	20,2	28,0						
	0,9	2049	1,5	1639,55	19,5	27,0	19,5	28,0						
0,8	2312	1,3	1860,07	18,3	27,0	18,3	28,0							
0,7	2541	1,2	2056,63	17,0	27,0	17,0	28,0							
0,6	3091	1,0	2526,44	12,8	27,0	12,8	28,0							
0,55	198	23,4	4,5	7,13	2,9	5,2	5,0	8,0	SK 02050 - 80 SP/4	25,7	F44-45			
	174	26,6	4,1	8,17	3,0	5,4	5,0	8,0						
	151	30,5	3,6	9,41	3,1	5,5	5,0	8,0						
	122	37,5	3,0	11,63	3,2	5,8	5,0	8,0						
	108	42,2	2,8	13,18	3,3	5,9	5,0	8,0						
	96	45,8	2,5	14,72	3,6	6,8	5,0	8,0						
	84	52,1	2,3	16,86	3,7	7,0	5,0	8,0						
	73	59,5	2,4	19,42	3,9	7,2	4,9	8,0						
	59	73,0	2,1	24,01	4,1	7,2	4,9	8,0						
	52	82,2	1,9	27,21	4,2	7,2	4,9	8,0						
	46	93,1	1,7	30,94	4,3	7,2	4,8	8,0						
	40	98,3	1,6	35,55	4,6	7,2	4,8	8,0						
	35	112	1,4	40,95	4,7	7,2	4,7	8,0						
	28	136	1,1	50,63	4,5	7,2	4,5	8,0						
	25	153	1,1	57,38	4,4	7,2	4,4	8,0						
	22	173	1,0	65,25	4,2	7,2	4,2	8,0						
	18	174	1,0	80,58	4,2	7,2	4,2	8,0						
	15	196	0,9	92,82	4,0	7,2	4,0	8,0						
	126	36,7	4,8	11,22	3,6	6,4	6,8	10,0				SK 12063 - 80 SP/4	29,7	F48-49
	111	41,5	4,3	12,76	3,8	6,6	6,8	10,0						
	91	50,4	3,8	15,57	4,0	6,9	6,8	10,0						
	75	59,2	3,6	18,99	4,3	7,8	6,8	10,0						

0,55 kW



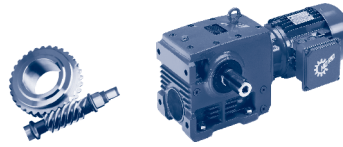
P_1 [kW]	n_2 [r/min]	M_2 [Nm]	f_B	i_{total}	F_R [kN]	F_A	$F_{R VL}$ [kN]	$F_{A VL}$	Type	kg	mm F48-49
0,55	64	68,8	3,6	22,32	4,5	7,8	6,8	10,0	SK 12063 - 80 SP/4	29,7	F48-49
	56	77,3	3,2	25,15	4,7	7,8	6,8	10,0			
	50	87,1	2,8	28,61	4,8	7,8	6,8	10,0			
	41	105	2,5	34,89	5,1	7,8	6,7	10,0			
	37	109	2,2	38,92	5,3	7,8	6,7	10,0			
	32	122	2,0	43,86	5,5	7,8	6,7	10,0			
	28	137	1,9	49,88	5,7	7,8	6,6	10,0			
	23	165	1,7	60,85	5,9	7,8	6,5	10,0			
	21	184	1,6	68,37	6,1	7,8	6,4	10,0			
	18	206	1,5	77,40	6,3	7,8	6,3	10,0			
	15	204	1,4	92,31	6,3	7,8	6,3	10,0			
	14	226	1,3	104,04	6,2	7,8	6,2	10,0			
	12	252	1,2	118,32	6,0	7,8	6,0	10,0			
	9,8	300	1,0	144,33	5,6	7,8	5,6	10,0			
	8,8	332	0,9	162,18	5,3	7,8	5,3	10,0			
7,7	369	0,9	183,6	4,9	7,8	4,9	10,0				
	37	117	4,7	37,91	8,3	12,0	12,4	12,0	SK 12080 - 80 SP/4	39,7	F52-53
	32	130	4,2	44,72	8,8	12,0	12,4	12,0			
	27	149	3,9	52,03	9,2	12,0	12,3	12,0			
	24	165	3,6	58,27	9,5	12,0	12,3	12,0			
	21	186	3,4	66,44	9,9	12,0	12,3	12,0			
	18	218	3,0	78,91	10,3	12,0	12,2	12,0			
	15	221	2,5	94,35	11,1	12,0	12,2	12,0			
	13	245	2,4	106,08	11,5	12,0	12,2	12,0			
	11	278	2,2	123,42	12,0	12,0	12,1	12,0			
	10	306	2,1	138,21	12,0	12,0	12,0	12,0			
	9	342	2,0	157,59	11,9	12,0	11,9	12,0			
	7,6	395	1,7	187,17	11,7	12,0	11,7	12,0			
	6,1	478	1,5	234,60	11,3	12,0	11,3	12,0			
	5,1	699	1,0	276,92	9,9	12,0	9,9	12,0			
	3,5	765	0,9	402,90	9,3	12,0	9,3	12,0			
	15	266	4,9	94,19	16,1	16,0	16,2	16,0	SK 32100 - 80 SP/4	65,7	F56-57
	11	309	4,0	129,00	16,2	16,0	16,2	16,0			
	8,6	381	3,5	165,50	16,2	16,0	16,2	16,0			
	7,7	415	3,3	183,50	16,2	16,0	16,2	16,0			
	5,9	522	2,7	241,50	16,2	16,0	16,2	16,0			
	2,8	988	1,4	510,00	15,0	16,0	15,0	16,0			
	2,2	1216	1,2	645,00	13,8	16,0	13,8	16,0			
	26	171	4,0	53,70	13,1	16,0	16,2	16,0	SK 33100 - 80 SP/4	73,7	F58-59
	17	256	4,2	85,21	15,4	16,0	16,2	16,0			
	13	325	3,7	109,32	16,2	16,0	16,2	16,0			
	12	358	3,3	121,21	16,2	16,0	16,2	16,0			
	10	388	3,4	142,38	16,2	16,0	16,2	16,0			
	7,8	488	2,9	182,66	16,2	16,0	16,2	16,0			
	5,5	671	2,3	257,63	16,1	16,0	16,1	16,0			
	4,8	624	2,4	299,28	16,2	16,0	16,2	16,0			
	3,9	740	2,0	365,07	15,9	16,0	15,9	16,0			
	3,0	917	1,7	468,37	15,3	16,0	15,3	16,0			
	2,7	1004	1,6	519,31	14,9	16,0	14,9	16,0			
	2,2	1241	1,3	660,60	13,6	16,0	13,6	16,0			
	6,0	637	4,4	236,58	23,1	27,0	23,1	28,0			
	5,3	719	3,9	269,76	23,0	27,0	23,0	28,0			
	4,4	850	2,8	323,51	22,8	27,0	22,8	28,0			
	3,7	987	2,6	380,39	22,6	27,0	22,6	28,0			

UNICASE™
Worm gear units



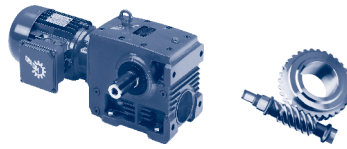
P_1 [kW]	n_2 [r/min]	M_2 [Nm]	f_B	i_{total}	F_R [kN]	F_A	$F_{R VL}$ [kN]	$F_{A VL}$	Type	kg	mm F62-63			
0,55	3,2	1143	2,6	444,38	22,3	27,0	22,3	28,0	SK 43125 - 80 SP/4	122,7	F62-63			
	2,6	1391	2,2	547,47	21,7	27,0	21,7	28,0						
	2,3	1536	1,7	607,91	21,3	27,0	21,3	28,0						
	2,1	1736	1,6	689,67	20,7	27,0	20,7	28,0						
	1,8	1554	2,0	794,58	21,3	27,0	21,3	28,0						
	1,5	1788	1,7	928,25	20,5	27,0	20,5	28,0						
	1,2	2257	1,4	1198,50	18,5	27,0	18,5	28,0						
	1,0	2735	1,1	1476,55	15,7	27,0	15,7	28,0						
	0,9	3016	1,0	1639,55	13,5	27,0	13,5	28,0						
	0,8	3403	0,9	1860,07	9,1	27,0	9,1	28,0						
0,7	3739	0,8	2056,63	0,0	27,0	0,0	28,0							
0,75	346	18,4	4,6	4,09	2,4	4,1	5,0	8,0	SK 02050 - 80 LP/4	26,2	F44-45			
	257	24,8	3,8	5,51	2,6	4,5	5,0	8,0						
	198	32,0	3,3	7,13	2,8	4,9	5,0	8,0						
	173	36,5	3,0	8,17	2,9	5,0	5,0	8,0						
	151	41,7	2,6	9,41	2,9	5,1	5,0	8,0						
	122	51,3	2,2	11,63	3,1	5,3	5,0	8,0						
	108	57,8	2,1	13,18	3,1	5,3	4,9	8,0						
	96	62,7	1,8	14,72	3,5	6,4	4,9	8,0						
	84	71,3	1,7	16,86	3,6	6,6	4,9	8,0						
	73	81,4	1,8	19,42	3,7	6,8	4,9	8,0						
	59	99,9	1,6	24,01	3,8	7,0	4,8	8,0						
	52	112	1,4	27,21	3,9	7,1	4,7	8,0						
	46	127	1,2	30,94	4,0	7,2	4,6	8,0						
	40	135	1,2	35,55	4,3	7,2	4,6	8,0						
	35	153	1,0	40,95	4,4	7,2	4,4	8,0						
	28	187	0,8	50,63	4,1	7,2	4,1	8,0						
	25	209	0,8	57,38	3,8	7,2	3,8	8,0						
	191	33,6	4,6	7,43	3,2	5,5	6,8	10,0				SK 12063 - 80 LP/4	30,2	F48-49
	167	38,3	4,3	8,47	3,3	5,7	6,8	10,0						
	142	44,7	3,8	9,96	3,4	5,9	6,8	10,0						
126	50,3	3,5	11,22	3,5	6,1	6,8	10,0							
111	56,9	3,2	12,76	3,6	6,2	6,8	10,0							
91	69,0	2,8	15,57	3,8	6,4	6,8	10,0							
74	81,0	2,7	18,99	4,2	7,6	6,8	10,0							
63	94,2	2,6	22,32	4,4	7,8	6,7	10,0							
56	106	2,3	25,15	4,5	7,8	6,7	10,0							
49	119	2,1	28,61	4,6	7,8	6,7	10,0							
40	144	1,8	34,89	4,8	7,8	6,6	10,0							
36	150	1,6	38,92	5,1	7,8	6,6	10,0							
32	167	1,5	43,86	5,2	7,8	6,5	10,0							
28	188	1,4	49,88	5,3	7,8	6,4	10,0							
23	226	1,2	60,85	5,5	7,8	6,2	10,0							
21	252	1,2	68,37	5,7	7,8	6,0	10,0							
18	282	1,1	77,40	5,8	7,8	5,8	10,0							
15	279	1,1	92,31	5,8	7,8	5,8	10,0							
14	310	1,0	104,04	5,6	7,8	5,6	10,0							
12	345	0,9	118,32	5,2	7,8	5,2	10,0							
57	108	4,5	25,00	7,2	12,0	12,4	12,0	SK 12080 - 80 LP/4	40,2	F52-53				
51	120	4,2	27,99	7,4	12,0	12,4	12,0							
44	136	3,9	31,92	7,7	12,0	12,4	12,0							
37	160	3,4	37,91	8,0	12,0	12,3	12,0							
32	178	3,1	44,72	8,6	12,0	12,3	12,0							

0,75 kW



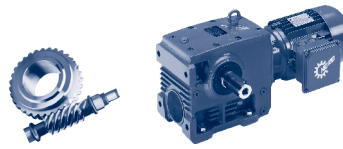
P_1 [kW]	n_2 [r/min]	M_2 [Nm]	f_B	i_{total}	F_R [kN]	F_A	$F_{R VL}$ [kN]	$F_{A VL}$	Type	kg	mm
0,75	27	204	2,8	52,03	8,9	12,0	12,3	12,0	SK 12080 - 80 LP/4	40,2	F52-53
	24	226	2,7	58,27	9,2	12,0	12,2	12,0			
	21	255	2,5	66,44	9,5	12,0	12,1	12,0			
	18	298	2,2	78,91	9,9	12,0	12,0	12,0			
	15	303	1,9	94,35	10,7	12,0	12,0	12,0			
	13	335	1,8	106,08	11,1	12,0	11,9	12,0			
	11	381	1,6	123,42	11,5	12,0	11,8	12,0			
	10	418	1,5	138,21	11,6	12,0	11,6	12,0			
	9	467	1,4	157,59	11,4	12,0	11,4	12,0			
	7,6	540	1,2	187,17	11,0	12,0	11,0	12,0			
6,0	654	1,1	234,60	10,3	12,0	10,3	12,0				
	22	257	4,6	64,55	14,1	16,0	16,2	16,0	SK 32100 - 80 LP/4	66,2	F56-57
	20	283	4,3	71,57	14,5	16,0	16,2	16,0			
	15	364	3,6	94,19	15,7	16,0	16,2	16,0			
	11	423	2,9	129,00	16,2	16,0	16,2	16,0			
	8,6	521	2,6	165,50	16,2	16,0	16,2	16,0			
	7,7	567	2,4	183,50	16,2	16,0	16,2	16,0			
	5,9	714	2,0	241,50	16,0	16,0	16,0	16,0			
	2,8	1351	1,1	510,00	12,9	16,0	12,9	16,0			
	2,2	1663	0,9	645,00	10,1	16,0	10,1	16,0			
	26	234	2,9	53,70	12,7	16,0	16,2	16,0			
	20	290	3,7	69,85	14,2	16,0	16,2	16,0			
	17	351	3,1	85,21	15,0	16,0	16,2	16,0			
	13	444	2,7	109,32	16,0	16,0	16,2	16,0			
	12	490	2,4	121,21	16,2	16,0	16,2	16,0			
	9,9	530	2,5	142,38	16,2	16,0	16,2	16,0			
	7,7	667	2,1	182,66	16,1	16,0	16,1	16,0			
	5,5	918	1,6	257,63	15,3	16,0	15,3	16,0			
	4,7	853	1,8	299,28	15,5	16,0	15,5	16,0			
	3,9	1012	1,5	365,07	14,8	16,0	14,8	16,0			
	3,0	1255	1,3	468,37	13,5	16,0	13,5	16,0			
	2,7	1373	1,2	519,31	12,7	16,0	12,7	16,0			
	2,1	1698	0,9	660,60	9,7	16,0	9,7	16,0			
	16	363	4,8	86,22	20,6	27,0	23,3	28,0	SK 43125 - 80 LP/4	123,2	F62-63
	11	506	4,9	130,49	23,2	27,0	23,2	28,0			
	9,3	583	4,4	152,44	23,1	27,0	23,1	28,0			
	7,5	704	3,7	187,80	23,0	27,0	23,0	28,0			
	6,0	871	3,2	236,58	22,8	27,0	22,8	28,0			
	5,2	983	2,9	269,76	22,6	27,0	22,6	28,0			
	4,4	1163	2,1	323,51	22,2	27,0	22,2	28,0			
	3,7	1350	1,9	380,39	21,8	27,0	21,8	28,0			
	3,2	1564	1,9	444,38	21,2	27,0	21,2	28,0			
	2,6	1903	1,6	547,47	20,1	27,0	20,1	28,0			
	2,3	2102	1,3	607,91	19,3	27,0	19,3	28,0			
	2,0	2376	1,2	689,67	17,9	27,0	17,9	28,0			
	1,8	2126	1,5	794,58	19,2	27,0	19,2	28,0			
	1,5	2446	1,3	928,25	17,6	27,0	17,6	28,0			
	1,2	3088	1,0	1198,50	12,9	27,0	12,9	28,0			
	1,0	3742	0,8	1476,55	0,0	27,0	0,0	28,0			

UNICASE™
Worm gear units



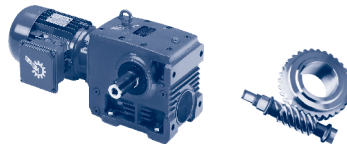
P_1 [kW]	n_2 [r/min]	M_2 [Nm]	f_B	i_{total}	F_R [kN]	F_A	$F_{R VL}$ [kN]	$F_{A VL}$	Type	kg	mm F44-45
1,10	350	26,7	3,2	4,09	2,3	3,8	5,0	8,0	SK 02050 - 90 SP/4	31,1	F44-45
	259	36,0	2,6	5,51	2,4	4,0	5,0	8,0			
	200	46,5	2,3	7,13	2,6	4,3	5,0	8,0			
	175	52,9	2,1	8,17	2,6	4,4	5,0	8,0			
	152	60,5	1,8	9,41	2,7	4,4	4,9	8,0			
	123	74,5	1,5	11,63	2,8	4,4	4,9	8,0			
	109	83,9	1,4	13,18	2,8	4,3	4,8	8,0			
	97	91,1	1,2	14,72	3,2	5,8	4,8	8,0			
	85	104	1,2	16,86	3,3	5,9	4,8	8,0			
	74	118	1,2	19,42	3,3	6,0	4,7	8,0			
	60	145	1,1	24,01	3,4	6,0	4,5	8,0			
	53	163	0,9	27,21	3,4	6,0	4,3	8,0			
	46	185	0,8	30,94	3,5	5,9	4,1	8,0			
		193	48,7	3,2	7,43	3,0	5,1	6,8			
	169	55,6	3,0	8,47	3,1	5,2	6,8	10,0			
	144	64,9	2,6	9,96	3,2	5,4	6,8	10,0			
	127	73,0	2,4	11,22	3,3	5,4	6,8	10,0			
	112	82,5	2,2	12,76	3,4	5,5	6,8	10,0			
	92	100	1,9	15,57	3,5	5,6	6,7	10,0			
	75	118	1,8	18,99	3,9	7,0	6,7	10,0			
	64	137	1,8	22,32	4,0	7,2	6,6	10,0			
	57	154	1,6	25,15	4,1	7,3	6,6	10,0			
	50	173	1,4	28,61	4,2	7,4	6,5	10,0			
	41	209	1,3	34,89	4,3	7,5	6,3	10,0			
	37	217	1,1	38,92	4,6	7,8	6,2	10,0			
	33	243	1,0	43,86	4,7	7,8	6,1	10,0			
	29	273	1,0	49,88	4,8	7,8	5,9	10,0			
	23	329	0,9	60,85	4,8	7,8	5,4	10,0	SK 12080 - 90 SP/4	45,1	F52-53
	21	366	0,8	68,37	4,9	7,8	4,9	10,0			
	133	71,2	4,8	10,75	5,3	9,1	12,4	12,0			
	114	82,4	4,2	12,51	5,5	9,4	12,4	12,0			
	102	91,8	4,0	14,01	5,7	9,6	12,4	12,0			
	90	104	3,8	15,98	5,9	9,8	12,4	12,0			
	75	121	3,8	19,11	6,4	11,3	12,4	12,0			
	66	136	3,5	21,49	6,6	11,6	12,4	12,0			
	57	157	3,1	25,00	6,9	12,0	12,3	12,0			
	51	174	2,9	27,99	7,0	12,0	12,3	12,0			
	45	198	2,7	31,92	7,3	12,0	12,3	12,0			
	38	232	2,4	37,91	7,5	12,0	12,2	12,0			
	32	258	2,1	44,72	8,1	12,0	12,1	12,0			
	27	297	1,9	52,03	8,4	12,0	12,0	12,0			
	25	328	1,8	58,27	8,6	12,0	11,9	12,0			
	22	371	1,7	66,44	8,8	12,0	11,8	12,0			
	18	433	1,5	78,91	9,1	12,0	11,5	12,0			
	15	440	1,3	94,35	10,0	12,0	11,5	12,0			
	13	487	1,2	106,08	10,3	12,0	11,3	12,0			
	12	553	1,1	123,42	10,6	12,0	10,9	12,0			
	10	608	1,1	138,21	10,6	12,0	10,6	12,0			
	9,1	679	1,0	157,59	10,1	12,0	10,1	12,0			
	7,6	785	0,9	187,17	9,1	12,0	9,1	12,0			
	37	242	4,6	38,63	11,6	16,0	16,2	16,0	SK 32100 - 90 SP/4	71,1	F56-57
	33	266	4,1	42,83	12,0	16,0	16,2	16,0			
	28	297	3,7	50,31	12,7	16,0	16,2	16,0			
	22	374	3,2	64,55	13,6	16,0	16,2	16,0			
	20	411	3,0	71,57	13,9	16,0	16,2	16,0			

1,10 kW
1,50 kW



P_1 [kW]	n_2 [r/min]	M_2 [Nm]	f_B	i_{total}	F_R [kN]	F_A	$F_{R VL}$ [kN]	$F_{A VL}$	Type	kg	mm mm
1,10	15	528	2,5	94,19	14,9	16,0	16,2	16,0	SK 32100 - 90 SP/4	71,1	F56-57
	14	512	2,3	104,00	15,8	16,0	16,2	16,0			
	11	614	2,0	129,00	16,2	16,0	16,2	16,0			
	8,6	757	1,8	165,50	15,8	16,0	15,8	16,0			
	7,8	825	1,7	183,50	15,6	16,0	15,6	16,0			
	5,9	1038	1,4	241,50	14,7	16,0	14,7	16,0			
	4,7	1258	1,1	304,00	13,5	16,0	13,5	16,0			
3,5	1624	0,8	410,00	10,5	16,0	10,5	16,0				
	27	340	2,0	53,70	11,9	16,0	16,2	16,0	SK 33100 - 90 SP/4	79,1	F58-59
	21	422	2,6	69,85	13,5	16,0	16,2	16,0			
	17	509	2,1	85,21	14,2	16,0	16,2	16,0			
	13	645	1,8	109,32	15,0	16,0	16,2	16,0			
	12	711	1,7	121,21	15,3	16,0	16,0	16,0			
	10	770	1,7	142,38	15,8	16,0	15,8	16,0			
	7,8	969	1,5	182,66	15,0	16,0	15,0	16,0			
	5,6	1333	1,1	257,63	13,0	16,0	13,0	16,0			
	4,8	1240	1,2	299,28	13,6	16,0	13,6	16,0			
	3,9	1470	1,0	365,07	12,0	16,0	12,0	16,0			
	3,1	1824	0,9	468,37	8,0	16,0	8,0	16,0			
	16	512	4,6	87,30	20,4	27,0	23,2	28,0	SK 42125 - 90 SP/4	111,1	F60-61
	14	534	4,0	100,58	21,5	27,0	23,2	28,0			
	12	611	3,7	117,50	22,5	27,0	23,1	28,0			
	9,9	728	3,3	144,76	23,0	27,0	23,0	28,0			
	8,9	795	3,1	160,74	22,9	27,0	22,9	28,0			
	7,8	885	2,9	182,36	22,7	27,0	22,7	28,0			
	7,1	961	2,7	201,63	22,6	27,0	22,6	28,0			
	2,9	2045	1,4	495,85	19,5	27,0	19,5	28,0			
	2,1	2747	1,0	695,60	15,7	27,0	15,7	28,0			
	23	391	4,0	62,50	18,2	27,0	23,3	28,0	SK 43125 - 90 SP/4	128,1	F62-63
	20	434	3,6	69,99	18,8	27,0	23,3	28,0			
	17	528	3,3	86,22	19,9	27,0	23,2	28,0			
	13	636	3,7	110,97	21,8	27,0	23,1	28,0			
	11	735	3,4	130,49	22,7	27,0	23,0	28,0			
	9,4	847	3,1	152,44	22,8	27,0	22,8	28,0			
	7,6	1022	2,5	187,80	22,5	27,0	22,5	28,0			
	6	1265	2,2	236,58	22,0	27,0	22,0	28,0			
	5,3	1428	2,0	269,76	21,6	27,0	21,6	28,0			
	4,4	1689	1,4	323,51	20,8	27,0	20,8	28,0			
	3,8	1961	1,3	380,39	19,9	27,0	19,9	28,0			
	3,2	2271	1,3	444,38	18,5	27,0	18,5	28,0			
	2,6	2763	1,1	547,47	15,6	27,0	15,6	28,0			
	2,4	3052	0,9	607,91	13,2	27,0	13,2	28,0			
	2,1	3449	0,8	689,67	8,4	27,0	8,4	28,0			
1,8	3089	1,0	794,58	12,9	27,0	12,9	28,0				
1,5	3554	0,9	928,25	6,4	27,0	6,4	28,0				
1,50	346	36,8	2,3	4,09	2,2	3,5	5,0	8,0	SK 02050 - 90 LP/4	32,7	F44-45
	257	49,7	1,9	5,51	2,3	3,5	5,0	8,0			
	198	64,0	1,6	7,13	2,4	3,6	4,9	8,0			
	173	72,9	1,5	8,17	2,4	3,6	4,9	8,0			
	151	83,4	1,3	9,41	2,4	3,6	4,8	8,0			
	122	103	1,1	11,63	2,4	3,4	4,8	8,0			

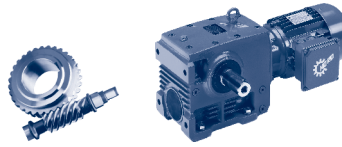
UNICASE™
Worm gear units



P_1 [kW]	n_2 [r/min]	M_2 [Nm]	f_B	i_{total}	F_R [kN]	F_A	$F_{R VL}$ [kN]	$F_{A VL}$	Type	kg	mm
1,50	108	116	1,0	13,18	2,4	3,2	4,7	8,0	SK 02050 - 90 LP/4	32,7	F44-45
	96	125	0,9	14,72	2,9	5,1	4,6	8,0			
	84	143	0,8	16,86	2,9	5,1	4,5	8,0			
	73	163	0,9	19,42	2,9	5,0	4,3	8,0			
	191	67,1	2,3	7,43	2,8	4,5	6,8	10,0	SK 12063 - 90 LP/4	36,7	F48-49
	167	76,6	2,2	8,47	2,9	4,7	6,8	10,0			
	142	89,4	1,9	9,96	3,0	4,8	6,7	10,0			
	126	101	1,7	11,22	3,0	4,8	6,7	10,0			
	111	114	1,6	12,76	3,1	4,7	6,7	10,0			
	91	138	1,4	15,57	3,1	4,6	6,6	10,0			
	74	162	1,3	18,99	3,6	6,4	6,5	10,0			
	63	188	1,3	22,32	3,7	6,4	6,4	10,0			
	56	211	1,2	25,15	3,7	6,5	6,3	10,0			
	49	238	1,0	28,61	3,7	6,5	6,1	10,0			
	40	288	0,9	34,89	3,8	6,4	5,7	10,0			
	36	299	0,8	38,92	4,1	7,7	5,6	10,0			
	187	69,5	4,2	7,55	4,7	7,6	11,6	12,0	SK 12080 - 90 LP/4	46,7	F52-53
	148	87,3	3,9	9,56	5,0	8,3	12,3	12,0			
	131	98,1	3,5	10,75	5,1	8,5	12,4	12,0			
	113	114	3,0	12,51	5,3	8,7	12,4	12,0			
	101	126	2,9	14,01	5,4	8,9	12,4	12,0			
	89	144	2,7	15,98	5,5	9,0	12,4	12,0			
	74	167	2,7	19,11	6,2	10,8	12,3	12,0			
	66	187	2,5	21,49	6,3	11,0	12,3	12,0			
	57	216	2,3	25,00	6,5	11,4	12,2	12,0			
	51	240	2,1	27,99	6,7	11,6	12,2	12,0			
	44	272	1,9	31,92	6,8	11,8	12,1	12,0			
	37	320	1,7	37,91	7,0	12,0	12,0	12,0			
	32	356	1,5	44,72	7,6	12,0	11,8	12,0			
	27	408	1,4	52,03	7,8	12,0	11,6	12,0			
	24	452	1,3	58,27	8,0	12,0	11,5	12,0			
	21	510	1,2	66,44	8,1	12,0	11,2	12,0			
	18	596	1,1	78,91	8,3	12,0	10,7	12,0			
15	605	0,9	94,35	9,2	12,0	10,6	12,0				
13	670	0,9	106,08	9,4	12,0	10,1	12,0				
11	761	0,8	123,42	9,3	12,0	9,3	12,0				
	83	156	4,6	17,11	8,7	15,4	16,2	16,0	SK 32100 - 90 LP/4	72,7	F56-57
	75	172	4,2	18,97	9,0	15,7	16,2	16,0			
	69	183	4,6	20,54	9,5	16,0	16,2	16,0			
	58	214	4,8	24,27	10,0	16,0	16,2	16,0			
	47	263	4,0	30,11	10,6	16,0	16,2	16,0			
	41	288	3,8	34,32	11,1	16,0	16,2	16,0			
	37	333	3,3	38,63	11,2	16,0	16,2	16,0			
	33	367	3,0	42,83	11,5	16,0	16,2	16,0			
	28	409	2,7	50,31	12,3	16,0	16,2	16,0			
	22	515	2,3	64,55	13,0	16,0	16,2	16,0			
	20	565	2,2	71,57	13,3	16,0	16,2	16,0			
	15	727	1,8	94,19	14,2	16,0	15,9	16,0			
	14	705	1,7	104,00	15,1	16,0	16,0	16,0			
	11	845	1,5	129,00	15,5	16,0	15,5	16,0			
	8,6	1041	1,3	165,50	14,7	16,0	14,7	16,0			
	7,7	1134	1,2	183,50	14,2	16,0	14,2	16,0			
	5,9	1428	1,0	241,50	12,3	16,0	12,3	16,0			
4,7	1731	0,8	304,00	9,3	16,0	9,3	16,0				

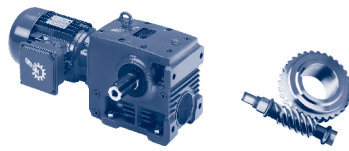
UNICASE™
Worm gear units

1,50 kW
2,20 kW



P_1 [kW]	n_2 [r/min]	M_2 [Nm]	f_B	i_{total}	F_R [kN]	F_A	$F_{R VL}$ [kN]	$F_{A VL}$	Type	kg	mm F58-59			
1,50	26	469	1,5	53,7	11,1	16,0	16,2	16,0	SK 33100 - 90 LP/4	80,7	F58-59			
	20	581	1,9	69,85	12,8	16,0	16,2	16,0						
	17	701	1,5	85,21	13,3	16,0	16,0	16,0						
	13	888	1,3	109,32	13,9	16,0	15,4	16,0						
	12	979	1,2	121,21	14,1	16,0	15,0	16,0						
	9,9	1060	1,2	142,38	14,6	16,0	14,6	16,0						
	7,7	1335	1,1	182,66	13,0	16,0	13,0	16,0						
	5,5	1836	0,8	257,63	7,8	16,0	7,8	16,0						
	4,7	1706	0,9	299,28	9,6	16,0	9,6	16,0						
	29	408	4,8	48,15	16,8	27,0	23,3	28,0				SK 42125 - 90 LP/4	112,7	F60-61
	25	471	4,4	56,25	17,6	27,0	23,2	28,0						
	20	570	3,9	69,3	18,6	27,0	23,1	28,0						
	18	627	3,7	76,95	19,1	27,0	23,1	28,0						
	16	705	3,3	87,3	19,8	27,0	23,0	28,0						
14	735	2,9	100,58	20,9	27,0	23,0	28,0							
12	840	2,7	117,5	21,8	27,0	22,8	28,0							
9,8	1002	2,4	144,76	22,6	27,0	22,6	28,0							
8,8	1093	2,3	160,74	22,4	27,0	22,4	28,0							
7,8	1217	2,1	182,36	22,1	27,0	22,1	28,0							
7	1322	2,0	201,63	21,9	27,0	21,9	28,0							
2,9	2814	1,0	495,85	15,2	27,0	15,2	28,0							
23	538	2,9	62,5	17,7	27,0	23,2	28,0	SK 43125 - 90 LP/4	129,7	F62-63				
20	598	2,6	69,99	18,2	27,0	23,1	28,0							
16	727	2,4	86,22	19,1	27,0	23,0	28,0							
13	875	2,7	110,97	21,0	27,0	22,8	28,0							
11	1012	2,5	130,49	21,8	27,0	22,5	28,0							
9,3	1166	2,2	152,44	22,2	27,0	22,2	28,0							
7,5	1408	1,8	187,8	21,7	27,0	21,7	28,0							
6	1742	1,6	236,58	20,7	27,0	20,7	28,0							
5,2	1967	1,4	269,76	19,8	27,0	19,8	28,0							
4,4	2326	1,0	323,51	18,2	27,0	18,2	28,0							
3,7	2700	1,0	380,39	16,0	27,0	16,0	28,0							
3,2	3127	1,0	444,38	12,5	27,0	12,5	28,0							
2,6	3805	0,8	547,47	0,0	27,0	0,0	28,0							
2,20	358	52,2	1,6	4,09	2,0	2,9	5,0				8,0	SK 02050 - 100 LP/4	44	F44-45
	266	70,4	1,3	5,51	2,0	2,5	4,9	8,0						
	205	90,8	1,2	7,13	1,9	2,3	4,8	8,0						
	179	103	1,1	8,17	1,8	2,2	4,8	8,0						
	156	118	0,9	9,41	1,6	2,0	4,7	8,0						
	198	95,2	1,6	7,43	2,5	3,6	6,7	10,0	SK 12063 - 100 LP/4	48	F48-49			
	173	109	1,5	8,47	2,6	3,6	6,7	10,0						
	147	127	1,3	9,96	2,6	3,6	6,6	10,0						
	130	143	1,2	11,22	2,6	3,5	6,6	10,0						
	115	161	1,1	12,76	2,6	3,4	6,5	10,0						
	94	196	1,0	15,57	2,4	3,0	6,4	10,0						
	77	230	0,9	18,99	3,1	5,3	6,2	10,0						
	66	267	0,9	22,32	3,0	5,2	5,9	10,0						
	58	300	0,8	25,15	3,0	5,0	5,6	10,0						
194	98,6	3,0	7,55	4,4	6,7	11,2	12,0	SK 12080 - 100 LP/4	58	F52-53				
154	124	2,7	9,56	4,6	7,2	11,9	12,0							
136	139	2,4	10,75	4,7	7,4	12,2	12,0							
117	161	2,1	12,51	4,8	7,6	12,3	12,0							

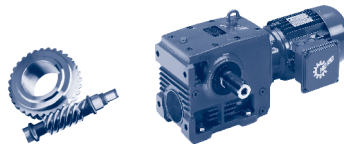
UNICASE™
Worm gear units



P_1 [kW]	n_2 [r/min]	M_2 [Nm]	f_B	i_{total}	F_R [kN]	F_A	$F_{R VL}$ [kN]	$F_{A VL}$	Type	kg	mm F52-53
2,20	105	179	2,0	14,01	4,9	7,6	12,3	12,0	SK 12080 - 100 LP/4	58	F52-53
	92	204	1,9	15,98	5,0	7,6	12,3	12,0			
	77	237	1,9	19,11	5,6	9,8	12,2	12,0			
	68	266	1,8	21,49	5,8	9,9	12,1	12,0			
	59	307	1,6	25	5,9	10,1	12,0	12,0			
	52	341	1,5	27,99	6,0	10,2	11,9	12,0			
	46	386	1,4	31,92	6,0	10,2	11,7	12,0			
	39	454	1,2	37,91	6,1	10,2	11,4	12,0			
	33	505	1,1	44,72	6,7	12,0	11,2	12,0			
	28	580	1,0	52,03	6,8	12,0	10,8	12,0			
	25	642	0,9	58,27	6,8	12,0	10,3	12,0			
	22	725	0,9	66,44	6,9	12,0	9,7	12,0			
	110	174	4,1	13,34	7,7	12,8	16,2	16,0			
90		207	3,6	16,22	8,5	15,6	16,2	16,0			
86		221	3,2	17,11	8,2	14,0	16,2	16,0			
77		244	3,0	18,97	8,4	14,3	16,2	16,0			
71		260	3,2	20,54	9,1	16,0	16,2	16,0			
60		304	3,4	24,27	9,4	16,0	16,2	16,0			
49		373	2,8	30,11	9,9	16,0	16,2	16,0			
43		408	2,7	34,32	10,5	16,0	16,2	16,0			
38		473	2,3	38,63	10,4	16,0	16,2	16,0			
34		521	2,1	42,83	10,7	16,0	16,2	16,0			
29		582	1,9	50,31	11,4	16,0	16,2	16,0			
23		731	1,6	64,55	11,9	16,0	15,9	16,0			
20		803	1,5	71,57	12,1	16,0	15,7	16,0			
16		1033	1,3	94,19	12,7	16,0	14,7	16,0			
14		1004	1,2	104	13,8	16,0	14,9	16,0			
11		1204	1,0	129	13,8	16,0	13,8	16,0			
8,9	1483	0,9	165,5	11,9	16,0	11,9	16,0	SK 42125 - 100 LP/4	124	F60-61	
	8	1616	0,8	183,5	10,6	16,0	10,6				16,0
	46	403	4,6	31,82	14,1	23,7	23,3				28,0
	41	445	3,6	35,33	14,4	24,3	23,3				28,0
	36	499	3,7	40,95	15,3	26,5	23,2				28,0
	30	579	3,4	48,15	16,0	27,0	23,1				28,0
	26	670	3,1	56,25	16,6	27,0	23,0				28,0
	21	810	2,7	69,3	17,5	27,0	22,9				28,0
	19	891	2,6	76,95	17,9	27,0	22,7				28,0
	17	1002	2,4	87,3	18,5	27,0	22,6				28,0
15	1046	2,0	100,58	19,6	27,0	22,5	28,0	SK 43125 - 100 LP/4	141	F62-63	
	12	1196	1,9	117,5	20,3	27,0	22,2				28,0
	10	1427	1,7	144,76	21,3	27,0	21,6				28,0
	9,1	1558	1,6	160,74	21,2	27,0	21,2				28,0
	8	1734	1,5	182,36	20,7	27,0	20,7				28,0
	7,3	1884	1,4	201,63	20,2	27,0	20,2				28,0
	4,3	2892	1,0	337,46	14,6	27,0	14,6				28,0
	23	764	2,1	62,5	16,6	27,0	22,9				28,0
	21	848	1,8	69,99	16,9	27,0	22,8				28,0
	17	1031	1,7	86,22	17,6	27,0	22,5				28,0
13	1244	1,9	110,97	19,4	27,0	22,1	28,0				
11	1438	1,7	130,49	20,0	27,0	21,6	28,0				
9,6	1657	1,6	152,44	20,6	27,0	20,9	28,0				
7,8	2000	1,3	187,8	19,7	27,0	19,7	28,0				
6,2	2475	1,1	236,58	17,4	27,0	17,4	28,0				
5,4	2794	1,0	269,76	15,3	27,0	15,3	28,0				

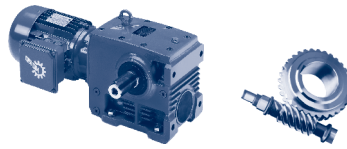
UNICASE™
Worm gear units

3,00 kW



P_1 [kW]	n_2 [r/min]	M_2 [Nm]	f_B	i_{total}	F_R [kN]	F_A	$F_{R VL}$ [kN]	$F_{A VL}$	Type	kg	mm
3,00	193	135	2,2	7,55	4,1	5,9	10,9	12,0	SK 12080 - 100 AP/4	58	F52-53
	153	169	2,0	9,56	4,2	6,0	11,5	12,0			
	136	190	1,8	10,75	4,3	6,1	11,8	12,0			
	117	220	1,6	12,51	4,3	6,1	12,2	12,0			
	104	245	1,5	14,01	4,3	6,1	12,2	12,0			
	91	279	1,4	15,98	4,3	6,0	12,1	12,0			
	77	324	1,4	19,11	5,1	8,7	12,0	12,0			
	68	363	1,3	21,49	5,2	8,7	11,8	12,0			
	58	420	1,2	25,00	5,2	8,7	11,6	12,0			
	52	466	1,1	27,99	5,2	8,6	11,4	12,0			
	46	528	1,0	31,92	5,2	8,4	11,1	12,0			
	39	621	0,9	37,91	5,1	8,1	10,5	12,0			
		161	164	4,4	9,10	6,7	10,4	16,2			
	136	193	3,8	10,75	7,0	10,9	16,2	16,0			
	110	238	3,0	13,34	7,3	11,6	16,2	16,0			
	90	284	2,6	16,22	8,2	14,8	16,2	16,0			
	85	302	2,3	17,11	7,6	12,3	16,2	16,0			
	77	334	2,2	18,97	7,8	12,6	16,2	16,0			
	71	355	2,4	20,54	8,6	15,7	16,2	16,0			
	60	416	2,5	24,27	8,9	16,0	16,2	16,0			
	49	511	2,1	30,11	9,3	16,0	16,2	16,0			
	43	559	2,0	34,32	9,8	16,0	16,2	16,0			
	38	647	1,7	38,63	9,6	16,0	16,2	16,0			
	34	712	1,5	42,83	9,8	16,0	16,0	16,0			
	29	796	1,4	50,31	10,5	16,0	15,7	16,0			
	23	1000	1,2	64,55	10,8	16,0	14,9	16,0			
	20	1099	1,1	71,57	10,9	16,0	14,4	16,0			
	15	1414	0,9	94,19	11,1	16,0	12,4	16,0			
	14	1373	0,9	104,00	12,4	16,0	12,7	16,0			
	92	286	4,3	15,92	10,9	17,1	23,4	28,0	SK 42125 - 100 AP/4	124	F60-61
	78	334	4,5	18,80	11,9	20,0	23,3	28,0			
	66	389	4,1	22,11	12,3	20,8	23,3	28,0			
	57	452	3,8	25,83	12,8	21,6	23,3	28,0			
	46	551	3,3	31,82	13,5	22,6	23,2	28,0			
	41	609	2,6	35,33	13,8	23,0	23,1	28,0			
	36	683	2,7	40,95	14,7	25,5	23,0	28,0			
	30	793	2,5	48,15	15,3	26,5	22,9	28,0			
	26	916	2,2	56,25	15,8	27,0	22,7	28,0			
	21	1108	2,0	69,30	16,5	27,0	22,4	28,0			
	19	1219	1,9	76,95	16,8	27,0	22,1	28,0			
	17	1370	1,7	87,30	17,2	27,0	21,8	28,0			
	15	1430	1,5	100,58	18,4	27,0	21,6	28,0			
	12	1636	1,4	117,50	18,9	27,0	21,0	28,0			
	10	1951	1,2	144,76	19,6	27,0	19,9	28,0			
	9,1	2130	1,2	160,74	19,1	27,0	19,1	28,0			
	8	2371	1,1	182,36	18,0	27,0	18,0	28,0			
	7,2	2576	1,0	201,63	16,8	27,0	16,8	28,0			
	23	1045	1,5	62,50	15,4	25,2	22,5	28,0	SK 43125 - 100 AP/4	141	F62-63
	21	1161	1,3	69,99	15,7	25,5	22,2	28,0			
	17	1411	1,2	86,22	16,1	25,9	21,7	28,0			
	13	1701	1,4	110,97	17,9	27,0	20,8	28,0			
	11	1967	1,3	130,49	18,2	27,0	19,8	28,0			
	9,6	2266	1,1	152,44	18,5	27,0	18,5	28,0			
	7,8	2736	0,9	187,80	15,7	27,0	15,7	28,0			
	6,2	3385	0,8	236,58	9,4	27,0	9,4	28,0			

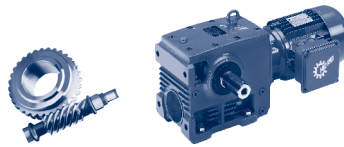
UNICASE™
Worm gear units



P_1 [kW]	n_2 [r/min]	M_2 [Nm]	f_B	i_{total}	F_R [kN]	F_A	$F_{R VL}$ [kN]	$F_{A VL}$	Type	kg	mm F52-53
4,00	191	182	1,6	7,55	3,7	4,8	10,6	12,0	SK 12080 - 112 MP/4	65,5	F52-53
	151	229	1,5	9,56	3,7	4,7	11,1	12,0			
	134	257	1,3	10,75	3,7	4,5	11,2	12,0			
	115	298	1,2	12,51	3,6	4,2	11,3	12,0			
	103	332	1,1	14,01	3,3	4,0	11,3	12,0			
	90	377	1,0	15,98	2,9	3,5	11,3	12,0			
	75	438	1,0	19,11	4,5	7,3	11,5	12,0			
	67	491	1,0	21,49	4,4	7,2	11,3	12,0			
	58	567	0,9	25,00	4,3	6,9	10,8	12,0			
	51	630	0,8	27,99	4,2	6,6	10,4	12,0			
200	176	3,9	7,19	6,1	9,0	16,2	16,0	SK 32100 - 112 MP/4	91,5	F56-57	
158	221	3,3	9,10	6,4	9,4	16,2	16,0				
134	260	2,8	10,75	6,6	9,7	16,2	16,0				
108	321	2,2	13,34	6,8	10,0	16,2	16,0				
89	383	2,0	16,22	7,8	13,7	16,2	16,0				
84	408	1,7	17,11	7,0	10,2	16,2	16,0				
76	451	1,6	18,97	7,0	10,2	16,2	16,0				
70	480	1,8	20,54	8,1	14,6	16,2	16,0				
59	562	1,8	24,27	8,3	14,8	16,2	16,0				
48	690	1,5	30,11	8,5	15,1	16,0	16,0				
42	754	1,4	34,32	9,1	16,0	15,8	16,0				
37	873	1,3	38,63	8,6	15,1	15,4	16,0				
34	962	1,1	42,83	8,6	15,0	15,1	16,0				
29	1074	1,0	50,31	9,4	16,0	14,5	16,0				
22	1350	0,9	64,55	9,4	16,0	12,9	16,0				
20	1484	0,8	71,57	9,4	16,0	11,9	16,0				
153	232	4,9	9,41	9,3	13,4	23,4	28,0	SK 42125 - 112 MP/4	131,5	F60-61	
130	272	4,6	11,06	9,6	14,0	23,4	28,0				
111	316	3,9	12,93	10,0	14,7	23,3	28,0				
91	387	3,2	15,92	10,4	15,6	23,3	28,0				
77	451	3,3	18,80	11,4	19,2	23,3	28,0				
65	526	3,1	22,11	11,9	19,8	23,2	28,0				
56	611	2,8	25,83	12,3	20,4	23,1	28,0				
45	745	2,5	31,82	12,8	21,1	22,9	28,0				
41	823	1,9	35,33	13,0	21,4	22,8	28,0				
35	922	2,0	40,95	14,0	24,3	22,7	28,0				
30	1070	1,8	48,15	14,4	25,1	22,4	28,0				
26	1237	1,7	56,25	14,8	25,8	22,1	28,0				
21	1496	1,5	69,30	15,2	26,6	21,4	28,0				
19	1646	1,4	76,95	15,4	26,9	21,0	28,0				
16	1850	1,3	87,30	15,6	27,0	20,3	28,0				
14	1930	1,1	100,58	16,9	27,0	20,0	28,0				
12	2207	1,0	117,50	17,2	27,0	18,8	28,0				
10	2632	0,9	144,76	16,4	27,0	16,4	28,0				
9	2873	0,9	160,74	14,7	27,0	14,7	28,0				
7,9	3198	0,8	182,36	11,7	27,0	11,7	28,0				
23	1412	1,1	62,50	14,0	22,4	21,7	28,0	SK 43125 - 112 MP/4	148,5	F62-63	
21	1568	1,0	69,99	14,1	22,3	21,2	28,0				
17	1906	0,9	86,22	14,2	21,9	20,1	28,0				
13	2297	1,0	110,97	15,9	27,0	18,3	28,0				
11	2655	0,9	130,49	15,9	27,0	16,3	28,0				
9,5	3059	0,8	152,44	13,1	27,0	13,1	28,0				

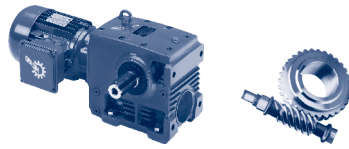
UNICASE™
Worm gear units

5,50 kW
7,50 kW

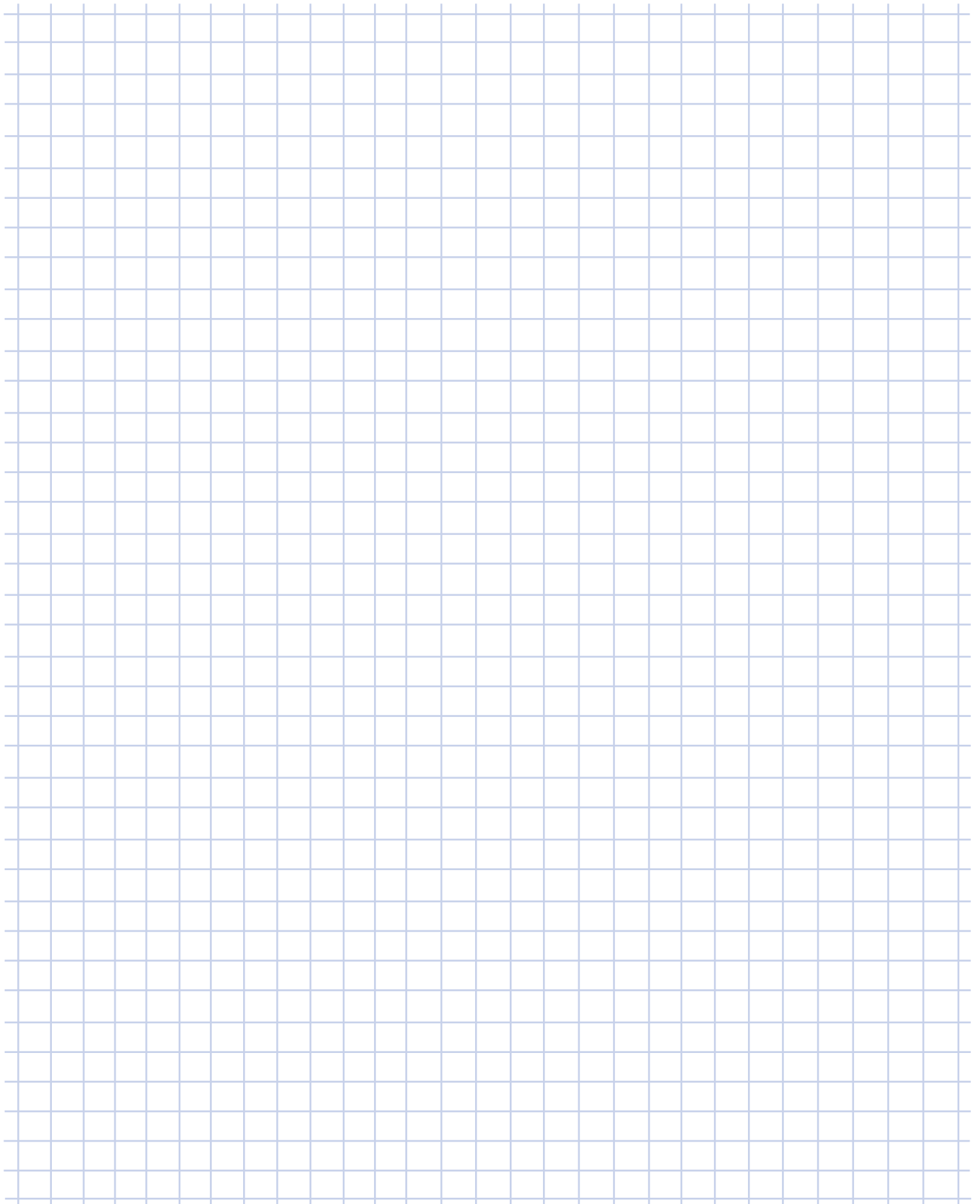


P_1 [kW]	n_2 [r/min]	M_2 [Nm]	f_B	i_{total}	F_R [kN]	F_A	$F_{R VL}$ [kN]	$F_{A VL}$	Type	kg	mm mm				
5,50	204	238	2,9	7,19	5,7	7,8	16,2	16,0	SK 32100 - 132 SP/4	111	F56-57				
	161	299	2,4	9,10	5,8	7,9	16,2	16,0							
	137	352	2,1	10,75	5,9	7,9	16,2	16,0							
	110	434	1,6	13,34	6,0	7,7	16,2	16,0							
	90	519	1,4	16,22	7,1	12,0	16,2	16,0							
	86	552	1,3	17,11	6,0	7,2	16,2	16,0							
	77	610	1,2	18,97	5,8	6,9	16,2	16,0							
	71	649	1,3	20,54	7,2	12,5	16,2	16,0							
	60	760	1,3	24,27	7,3	12,8	15,8	16,0							
	49	933	1,1	30,11	7,3	12,6	15,2	16,0							
	43	1021	1,1	34,32	7,9	15,1	14,8	16,0							
	38	1182	0,9	38,63	7,1	12,0	14,0	16,0							
	34	1302	0,8	42,83	7,0	11,6	13,2	16,0							
		201	245	3,8	7,29	8,3	11,4	23,4				28,0	SK 42125 - 132 SP/4	151	F60-61
189		260	3,9	7,76	8,4	11,5	23,4	28,0							
174		282	4,0	8,43	8,6	11,8	23,4	28,0							
156		314	3,6	9,41	8,8	12,1	23,3	28,0							
133		367	3,4	11,06	9,0	12,5	23,3	28,0							
113		428	2,9	12,93	9,3	12,9	23,3	28,0							
100		477	2,8	14,57	10,2	16,1	23,2	28,0							
92		523	2,4	15,92	9,6	13,3	23,2	28,0							
78		610	2,5	18,80	10,7	17,6	23,1	28,0							
66		711	2,3	22,11	11,0	18,2	23,0	28,0							
57		826	2,1	25,83	11,3	18,6	22,8	28,0							
46		1007	1,8	31,82	11,6	18,9	22,5	28,0							
41		1113	1,4	35,33	11,8	19,0	22,3	28,0							
36		1248	1,5	40,95	12,8	22,4	22,1	28,0							
30		1449	1,4	48,15	13,0	22,8	21,6	28,0							
26		1674	1,2	56,25	13,2	23,1	20,9	28,0							
21		2026	1,1	69,30	13,3	23,4	19,6	28,0							
19		2229	1,0	76,95	13,3	23,4	18,7	28,0							
17	2505	0,9	87,30	13,2	23,3	17,2	28,0								
15	2614	0,8	100,58	14,5	27,0	16,6	28,0								
7,50	203	326	2,1	7,19	5,1	6,3	15,8	16,0	SK 32100 - 132 MP/4	118	F56-57				
	161	410	1,8	9,10	5,1	6,0	16,2	16,0							
	136	482	1,5	10,75	5,1	5,6	16,2	16,0							
	110	594	1,2	13,34	4,2	4,8	16,2	16,0							
	90	710	1,1	16,22	6,2	9,8	16,0	16,0							
	85	756	0,9	17,11	3,0	3,4	15,8	16,0							
	77	835	0,9	18,97	2,3	2,6	15,6	16,0							
	71	888	0,9	20,54	6,1	9,7	15,4	16,0							
	60	1040	1,0	24,27	6,0	9,4	14,7	16,0							
	49	1277	0,8	30,11	5,7	8,8	13,4	16,0							
		200	335	2,8	7,29	7,8	10,1	23,3				28,0	SK 42125 - 132 MP/4	158	F60-61
		188	355	2,8	7,76	7,9	10,2	23,3				28,0			
		173	386	3,0	8,43	8,0	10,3	23,3				28,0			
		155	430	2,7	9,41	8,2	10,4	23,3				28,0			
132		503	2,5	11,06	8,3	10,5	23,2	28,0							
113		585	2,1	12,93	8,5	10,6	23,1	28,0							
100		653	2,1	14,57	9,5	14,5	23,1	28,0							
92		716	1,7	15,92	8,6	10,4	23,0	28,0							
78		834	1,8	18,80	9,9	15,4	22,8	28,0							
66		973	1,7	22,11	10,0	15,9	22,6	28,0							
57		1131	1,5	25,83	10,1	16,2	22,3	28,0							
46		1378	1,3	31,82	10,2	15,9	21,7	28,0							
41		1522	1,1	35,33	10,1	15,7	21,3	28,0							
36		1707	1,1	40,95	11,2	19,8	20,8	28,0							
30		1982	1,0	48,15	11,2	19,8	19,8	28,0							
26		2290	0,9	56,25	11,0	19,7	18,4	28,0							
21		2771	0,8	69,30	10,7	19,2	15,5	28,0							

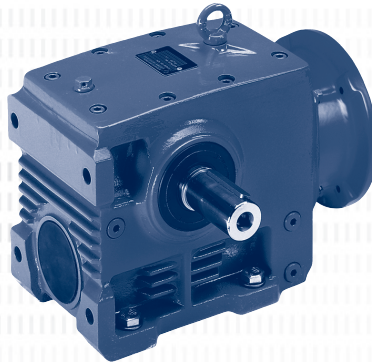
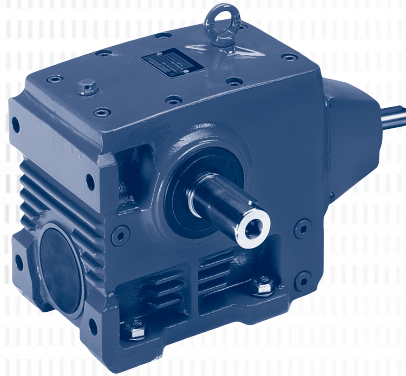
UNICASE™
Worm gear units



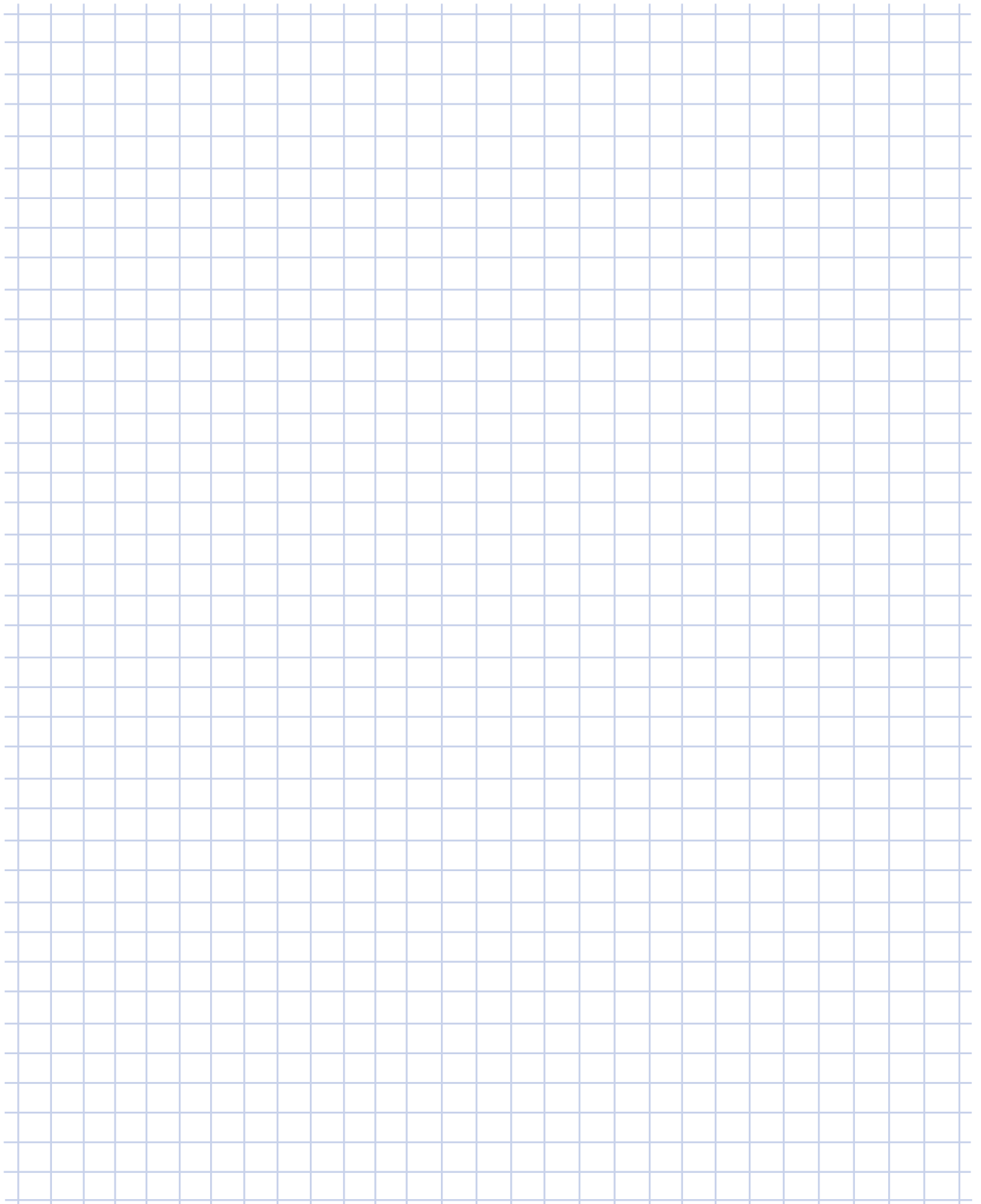
P_1 [kW]	n_2 [r/min]	M_2 [Nm]	f_B	i_{total}	F_R [kN]	F_A	$F_{R VL}$ [kN]	$F_{A VL}$	Type	kg	mm F60-61
9,20	201	408	2,3	7,29	7,4	9,1	23,1	28,0	SK 42125 - 160 SP/4	189	F60-61
	190	433	2,3	7,76	7,5	9,1	23,3	28,0			
	174	471	2,4	8,43	7,5	9,1	23,2	28,0			
	156	524	2,2	9,41	7,6	9,1	23,2	28,0			
	133	612	2,0	11,06	7,7	8,9	23,1	28,0			
	114	713	1,7	12,93	7,8	8,6	23,0	28,0			
	101	795	1,7	14,57	8,9	13,2	22,9	28,0			
	92	872	1,4	15,92	7,5	8,0	22,8	28,0			
	78	1016	1,5	18,80	9,1	13,6	22,5	28,0			
	67	1186	1,4	22,11	9,1	13,7	22,2	28,0			
	57	1378	1,2	25,83	9,1	13,7	21,7	28,0			
	46	1680	1,1	31,82	8,9	13,3	20,9	28,0			
	36	2080	0,9	40,95	9,8	17,7	19,4	28,0			
	31	2415	0,8	48,15	9,6	17,3	17,7	28,0			
11,0	201	490	1,9	7,29	7,0	8,0	22,7	28,0	SK 42125 - 160 MP/4	189	F60-61
	189	519	1,9	7,76	7,0	7,9	23,0	28,0			
	174	565	2,0	8,43	7,0	7,8	23,2	28,0			
	156	628	1,8	9,41	7,1	7,6	23,1	28,0			
	133	735	1,7	11,06	7,1	7,2	23,0	28,0			
	113	856	1,4	12,93	6,4	6,6	22,8	28,0			
	100	954	1,4	14,57	8,3	11,8	22,6	28,0			
	92	1046	1,2	15,92	5,1	5,5	22,5	28,0			
	78	1219	1,2	18,80	8,3	11,7	22,1	28,0			
	66	1423	1,1	22,11	8,2	11,5	21,6	28,0			
	57	1653	1,0	25,83	8,0	11,0	21,0	28,0			
46	2015	0,9	31,82	7,6	10,0	19,6	28,0				
15,0	201	668	1,4	7,29	5,6	5,6	21,4	28,0	SK 42125 - 160 LP/4	218	F60-61
	189	708	1,4	7,76	5,4	5,4	21,5	28,0			
	174	770	1,5	8,43	5,0	5,0	21,7	28,0			
	156	857	1,3	9,41	4,3	4,5	21,8	28,0			
	133	1002	1,2	11,06	3,3	3,5	21,8	28,0			
	113	1167	1,1	12,93	2,2	2,3	21,7	28,0			
	100	1301	1,0	14,57	6,9	8,8	21,9	28,0			
	92	1427	0,9	15,92	0,1	0,1	21,2	28,0			
	78	1663	0,9	18,80	6,5	7,8	20,9	28,0			
	66	1940	0,8	22,11	6,1	6,8	19,9	28,0			

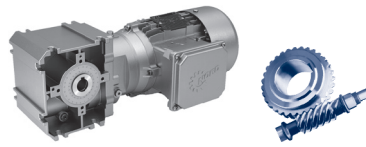


UNICASE™ Worm gear units



Notes



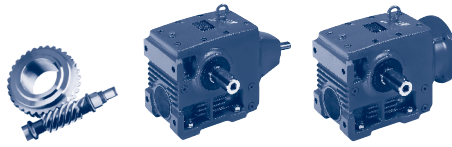


	i _{Total}	W												IEC			
		n ₂ M _{2max} P _{1max} η				n ₂ M _{2max} P _{1max} η				n ₂ M _{2max} P _{1max} η				f _B ⇨ F4 - 6			
		f _B = 1		f _B ≥ 1		f _B = 1		f _B ≥ 1		f _B = 1		f _B ≥ 1		IEC 63	IEC 71	IEC 80	IEC 90
		n ₁ = 1400 r/min				n ₁ = 930 r/min				n ₁ = 700 r/min							
		[r/min]	[Nm]	[kW]	[%]	[r/min]	[Nm]	[kW]	[%]	[r/min]	[Nm]	[kW]	[%]				
SK 02040.1	330,00	4,2	100	0,10	45	2,8	104	0,069	44	2,1	107	0,054	44	*	*	*	
	275,00	5,1	100	0,10	54	3,4	104	0,070	53	2,5	107	0,054	52	*	*	*	
W	218,57	6,4	100	0,14	47	4,3	105	0,100	45	3,2	107	0,080	45	*	*	*	
	182,14	7,7	85	0,12	55	5,1	89,0	0,089	54	3,8	91,1	0,069	53	*	*	*	
	166,67	8,4	85	0,16	48	5,6	90,4	0,11	46	4,2	93,0	0,09	45	*	*	*	
⇨	144,00	9,7	85	0,18	48	6,5	90,1	0,13	47	4,9	93,2	0,10	46	*	*	*	
	138,89	10	85	0,16	56	6,7	90,4	0,12	54	5,0	93,0	0,09	54	*	*	*	
IEC	120,00	12	85	0,18	57	7,8	90,1	0,13	55	5,8	93,2	0,11	54	*	*	*	
	109,29	13	85	0,18	64	8,5	89,0	0,13	63	6,4	91,1	0,10	62	*	*	*	
	96,00	15	85	0,21	61	9,7	90,1	0,15	59	7,3	93,2	0,12	58	*	*	*	
⇨	83,33	17	85	0,23	65	11	90,4	0,17	63	8,4	93,0	0,13	63	*	*	*	
	72,00	19	85	0,26	65	13	90,1	0,19	64	9,7	93,2	0,15	63	*	*	*	
	69,44	20	82	0,24	71	13	87,2	0,18	70	10	89,8	0,14	69	*	*	*	
	60,00	23	82	0,28	71	16	86,9	0,20	70	12	90,0	0,16	69	*	*	*	
	55,56	25	82	0,29	74	17	87,2	0,21	73	13	89,8	0,16	72	*	*	*	
	48,00	29	82	0,34	74	19	86,9	0,24	73	15	90,0	0,19	72	*	*	*	
	41,67	34	82	0,37	77	22	87,2	0,27	76	17	89,8	0,21	76	*	*	*	
	36,00	39	81	0,43	78	26	85,9	0,30	76	19	88,9	0,24	76	*	*	*	
	30,00	47	76	0,53	70	31	83,1	0,40	68	23	87,3	0,32	66	*	*	*	
	27,78	50	75	0,48	82	33	79,7	0,34	81	25	82,1	0,27	81	*	*	*	
	24,00	58	70	0,52	82	39	74,2	0,37	81	29	76,8	0,29	81	*	*	*	
	20,00	70	66	0,62	78	47	72,2	0,46	76	35	75,8	0,37	75	*	*	*	
	17,88	78	65	0,74	72	52	73,8	0,57	70	39	79,2	0,47	69	*	*	*	*
	15,00	93	65	0,79	80	62	71,1	0,58	79	47	74,6	0,47	78	*	*	*	
	13,43	104	59	0,83	78	69	67,7	0,64	76	52	73,1	0,53	75	*	*	*	*
	11,92	117	58	0,89	80	78	65,8	0,69	78	59	70,7	0,55	77	*	*	*	*
	10,74	130	57	0,97	80	87	65,4	0,73	79	65	70,6	0,55	77	*	*	*	*
	8,94	157	56	1,10	82	104	63,5	0,73	81	78	68,3	0,55	80	*	*	*	*
	8,06	174	55	1,10	83	115	63,1	0,73	81	87	68,1	0,55	80	*	*	*	*
	5,96	235	51	1,10	86	156	57,9	0,73	85	117	62,2	0,55	84	*	*	*	*
	5,37	261	49	1,10	86	173	56,2	0,73	85	130	60,7	0,55	84	*	*	*	*

* Caution, do not exceed the maximum drive power P_{1max} according to the Typ W column.

	W	IEC 63	IEC 71	IEC 80	IEC 90
SK 02040.1	7	7	7	7	7

SK 13050 SK 02050



	i_{Total}	$i1$	$z2/z1$	W				IEC				$f_B \Rightarrow \text{F8 - 27}$								
				n_2	M_{2max}	P_{1max}	η	n_2	M_{2max}	P_{1max}	η									
												$f_B = 1$		$f_B \geq 1$		$f_B = 1$		$f_B \geq 1$		IEC 63
				[r/min]	[Nm]	[kW]	[%]	[r/min]	[Nm]	[kW]	[%]									
				$n_1 = 1400 \text{ r/min}$				$n_1 = 930 \text{ r/min}$												
SK 13050	3019,29	59,20	51/1	0,46	195	0,02	47	0,31	199	0,01	46	*	*							
	2249,06	44,10	51/1	0,62	195	0,03	47	0,41	201	0,02	46	*	*							
	1970,21	38,63	51/1	0,71	195	0,03	47	0,47	202	0,02	47	*	*							
W	1746,09	34,24	51/1	0,80	195	0,03	47	0,53	203	0,02	47	*	*							
$\frac{W}{mm}$	1332,04	59,20	45/2	1,1	195	0,03	65	0,70	199	0,02	65	*	*							
\Rightarrow F66	992,23	44,10	45/2	1,4	195	0,04	66	0,94	201	0,03	65	*	*							
	869,21	38,63	45/2	1,6	195	0,05	66	1,1	202	0,04	65	*	*							
	755,77	14,82	51/1	1,9	195	0,08	48	1,2	203	0,05	47	*	*							
IEC	664,56	13,03	51/1	2,1	195	0,09	48	1,4	203	0,06	47	*	*							
$\frac{IEC}{mm}$	586,37	11,50	51/1	2,4	195	0,10	48	1,6	203	0,07	48	*	*							
\Rightarrow F68	474,31	9,30	51/1	3,0	195	0,13	49	2,0	202	0,09	48	*	*							
	411,76	8,07	51/1	3,4	195	0,14	49	2,3	203	0,10	48	*	*							
	333,43	14,82	45/2	4,2	195	0,13	67	2,8	203	0,09	66	*	*							
	293,19	13,03	45/2	4,8	195	0,15	67	3,2	203	0,10	66	*	*							
	209,25	9,30	45/2	6,7	195	0,20	68	4,4	202	0,14	67		*							
	181,66	8,07	45/2	7,7	195	0,23	68	5,1	203	0,16	67		*							
	158,12	14,82	32/3	8,9	195	0,23	78	5,9	203	0,16	77		*							
	139,04	13,03	32/3	10	195	0,26	78	6,7	203	0,18	77		*							
	122,68	11,50	32/3	11	195	0,29	78	7,6	203	0,21	77		*							
	99,23	9,30	32/3	14	190	0,36	79	9,4	197	0,25	78		*							
	86,15	8,07	32/3	16	180	0,37	79	11	187	0,24	78		*							
	76,61	14,82	31/6	18	140	0,32	83	12	141	0,21	83		*							
	67,37	13,03	31/6	21	130	0,34	84	14	136	0,24	83		*							
	59,44	11,50	31/6	24	130	0,37	84	16	135	0,24	83		*							
	48,08	9,30	31/6	29	110	0,37	84	19	114	0,24	83		*							
	41,74	8,07	31/6	34	110	0,37	84	22	110	0,24	84		*							

	i_{Total}	$i1$	$z2/z1$	n_2	M_{2max}	P_{1max}	η	n_2	M_{2max}	P_{1max}	η	IEC	IEC	IEC	IEC				
												63	71	80	90				
SK 02050	524,79	10,29	51/1	2,7	185	0,11	49	1,8	192	0,08	48	*	*						
	440,13	8,63	51/1	3,2	185	0,13	49	2,1	192	0,09	48	*	*						
W	385,56	7,56	51/1	3,6	185	0,14	50	2,4	193	0,10	48	*	*						
$\frac{W}{mm}$	341,70	6,70	51/1	4,1	185	0,16	50	2,7	195	0,11	49		*	*					
\Rightarrow F66	231,41	10,29	45/2	6,0	185	0,17	67	4,0	192	0,12	67	*	*						
	194,18	8,63	45/2	7,2	185	0,21	68	4,8	192	0,14	67		*	*					
	170,10	7,56	45/2	8,2	185	0,23	68	5,5	193	0,17	67		*	*					
	147,90	2,90	51/1	9,5	175	0,32	54	6,3	188	0,24	52		*	*	*				
IEC	130,05	2,55	51/1	11	168	0,35	55	7,2	181	0,26	52		*	*	*				
$\frac{IEC}{mm}$	114,75	2,25	51/1	12	168	0,38	56	8,1	182	0,29	53		*	*	*				
\Rightarrow F67	92,82	1,82	51/1	15	168	0,46	57	10	185	0,36	54		*	*	*				
	80,58	1,58	51/1	17	168	0,52	58	12	187	0,43	55		*	*	*				
	65,25	2,90	45/2	21	168	0,51	72	14	180	0,38	70		*	*	*				
	57,38	2,55	45/2	24	168	0,59	72	16	181	0,43	70		*	*	*				
	50,63	2,25	45/2	28	155	0,62	73	18	168	0,45	71		*	*	*				
	40,95	1,82	45/2	34	155	0,75	74	23	171	0,57	72		*	*	*				
	35,55	1,58	45/2	39	155	0,84	75	26	172	0,65	72		*	*	*				
	30,94	2,90	32/3	45	155	0,90	81	30	166	0,65	80		*	*	*				
	27,21	2,55	32/3	51	155	1,01	82	34	167	0,74	80		*	*	*				
	24,01	2,25	32/3	58	155	1,15	82	39	168	0,85	81		*	*	*				
	19,42	1,82	32/3	72	145	1,32	83	48	160	0,98	82		*	*	*				
	16,86	1,58	32/3	83	120	1,26	83	55	133	0,93	82		*	*	*				
	14,72	1,38	32/3	95	113	1,34	84	63	127	1,02	82		*	*	*				
	13,18	2,55	31/6	106	120	1,50	87	71	129	0,99	86		*	*	*				
	11,63	2,25	31/6	120	113	1,50	87	80	123	0,99	86		*	*	*				
	9,41	1,82	31/6	149	110	1,50	88	99	121	0,99	87		*	*	*				
	8,17	1,58	31/6	171	110	1,50	88	114	122	0,99	87		*	*	*				
	7,13	1,38	31/6	196	105	1,50	88	130	118	0,99	87		*	*	*				

* Caution, do not exceed the maximum drive power P_{1max} according to the Typ W column.

$\frac{kg}{kg}$	W	IEC 63	IEC 71	IEC 80	IEC 90
SK 13050	25	26	27	-	-
SK 02050	20	21	22	25	25

UNICASE™
Worm gear units



	i_{Total}	$i1$	$z2/z1$	W												IEC			
				n_2	M_{2max}	P_{1max}	η	n_2	M_{2max}	P_{1max}	η	n_2	M_{2max}	P_{1max}	η	$f_B \Rightarrow$ F8 - 27			
																$f_B = 1$		$f_B \geq 1$	
				$n_1 = 700 \text{ r/min}$				$n_1 = 450 \text{ r/min}$				$n_1 = 250 \text{ r/min}$				IEC 63	IEC 71		
	[r/min]	[Nm]	[kW]	[%]	[r/min]	[Nm]	[kW]	[%]	[r/min]	[Nm]	[kW]	[%]							
SK 13050	3019,29	59,20	51/1	0,23	202	0,01	46	0,15	215	0,01	46	0,08	232	0	46	*	*		
	2249,06	44,10	51/1	0,31	204	0,01	46	0,20	207	0,01	46	0,11	230	0,01	46	*	*		
	1970,21	38,63	51/1	0,36	205	0,02	46	0,23	209	0,01	46	0,13	229	0,01	46	*	*		
W	1746,09	34,24	51/1	0,40	207	0,02	46	0,26	211	0,01	46	0,14	227	0,01	46	*	*		
	1332,04	59,20	45/2	0,53	202	0,02	65	0,34	215	0,01	65	0,19	232	0,01	65	*	*		
	992,23	44,10	45/2	0,71	204	0,02	65	0,45	207	0,02	65	0,25	230	0,01	65	*	*		
\Rightarrow F66	869,21	38,63	45/2	0,81	205	0,03	65	0,52	209	0,02	65	0,29	229	0,01	65	*	*		
	755,77	14,82	51/1	0,93	208	0,04	47	0,60	219	0,03	47	0,33	227	0,02	46	*	*		
	664,56	13,03	51/1	1,1	208	0,05	47	0,68	219	0,03	47	0,38	229	0,02	46	*	*		
IEC	586,37	11,50	51/1	1,2	208	0,06	47	0,77	218	0,04	47	0,43	229	0,02	46	*	*		
	474,31	9,30	51/1	1,5	209	0,07	48	0,95	216	0,05	47	0,53	231	0,03	47	*	*		
	411,76	8,07	51/1	1,7	209	0,08	48	1,1	217	0,05	47	0,61	232	0,03	47	*	*		
\Rightarrow F68	333,43	14,82	45/2	2,1	208	0,07	66	1,3	219	0,05	65	0,75	227	0,03	65	*	*		
	293,19	13,03	45/2	2,4	208	0,08	66	1,5	219	0,05	66	0,85	229	0,03	65	*	*		
	209,25	9,30	45/2	3,3	209	0,11	66	2,2	216	0,08	66	1,2	231	0,04	65	*	*		
	181,66	8,07	45/2	3,9	209	0,13	66	2,5	217	0,09	66	1,4	232	0,05	66	*	*		
	158,12	14,82	32/3	4,4	208	0,12	77	2,8	219	0,08	77	1,6	227	0,05	77	*	*		
	139,04	13,03	32/3	5,0	208	0,14	77	3,2	219	0,10	77	1,8	229	0,06	77	*	*		
	122,68	11,50	32/3	5,7	208	0,16	77	3,7	218	0,11	77	2,0	229	0,06	77	*	*		
	99,23	9,30	32/3	7,1	203	0,20	77	4,5	211	0,13	77	2,5	225	0,08	77	*	*		
	86,15	8,07	32/3	8,1	193	0,19	78	5,2	199	0,12	77	2,9	199	0,07	77	*	*		
	76,61	14,82	31/6	9,1	141	0,16	83	5,9	141	0,10	83	3,3	139	0,06	82	*	*		
	67,37	13,03	31/6	10	139	0,18	83	6,7	139	0,12	83	3,7	138	0,07	82	*	*		
	59,44	11,50	31/6	12	138	0,19	83	7,6	138	0,12	83	4,2	137	0,07	82	*	*		
	48,08	9,30	31/6	15	118	0,19	83	9,4	120	0,12	83	5,2	120	0,07	83	*	*		
	41,74	8,07	31/6	17	109	0,19	83	11	109	0,12	83	6,0	109	0,07	83	*	*		

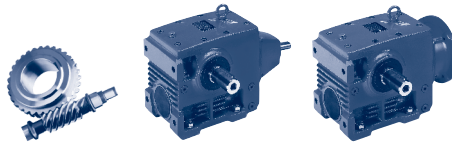
	i_{Total}	$i1$	$z2/z1$	W												IEC			
				n_2	M_{2max}	P_{1max}	η	n_2	M_{2max}	P_{1max}	η	n_2	M_{2max}	P_{1max}	η	IEC 63	IEC 71	IEC 80	IEC 90
SK 02050	524,79	10,29	51/1	1,3	198	0,06	47	0,86	206	0,04	47	0,48	218	0,02	47	*	*		
	440,13	8,63	51/1	1,6	198	0,07	48	1,0	205	0,05	47	0,57	219	0,03	47	*	*		
	385,56	7,56	51/1	1,8	198	0,08	48	1,2	207	0,06	47	0,65	220	0,03	47	*	*		
W	341,70	6,70	51/1	2,0	199	0,09	48	1,3	208	0,06	47	0,73	221	0,04	47	*	*		
	231,41	10,29	45/2	3,0	198	0,09	66	1,9	206	0,06	66	1,1	211	0,04	65	*	*		
	194,18	8,63	45/2	3,6	198	0,11	66	2,3	205	0,07	66	1,3	219	0,05	65	*	*		
\Rightarrow F66	170,10	7,56	45/2	4,1	198	0,13	67	2,6	207	0,09	66	1,5	220	0,05	66	*	*		
	147,90	2,90	51/1	4,7	194	0,19	51	3,0	207	0,13	49	1,7	219	0,08	48	*	*	*	
	130,05	2,55	51/1	5,4	188	0,21	51	3,5	201	0,15	49	1,9	212	0,09	48	*	*	*	
IEC	114,75	2,25	51/1	6,1	190	0,23	52	3,9	203	0,17	50	2,2	216	0,10	48	*	*	*	
	92,82	1,82	51/1	7,5	195	0,29	53	4,8	207	0,20	51	2,7	224	0,13	49	*	*	*	
	80,58	1,58	51/1	8,7	198	0,34	53	5,6	211	0,24	51	3,1	229	0,15	49	*	*	*	
\Rightarrow F67	65,25	2,90	45/2	11	186	0,31	69	6,9	199	0,21	68	3,8	210	0,13	66	*	*	*	
	57,38	2,55	45/2	12	188	0,34	69	7,8	201	0,24	68	4,4	212	0,15	67	*	*	*	
	50,63	2,25	45/2	14	176	0,37	70	8,9	187	0,26	68	4,9	199	0,15	67	*	*	*	
	40,95	1,82	45/2	17	180	0,45	71	11	191	0,32	69	6,1	206	0,20	67	*	*	*	
	35,55	1,58	45/2	20	183	0,54	71	13	195	0,38	69	7,0	211	0,23	68	*	*	*	
	30,94	2,90	32/3	23	172	0,52	79	15	183	0,37	78	8,1	194	0,21	78	*	*	*	
	27,21	2,55	32/3	26	174	0,59	80	17	185	0,42	79	9,2	196	0,24	78	*	*	*	
	24,01	2,25	32/3	29	176	0,67	80	19	187	0,47	79	10	199	0,27	78	*	*	*	
	19,42	1,82	32/3	36	168	0,78	81	23	178	0,54	79	13	193	0,34	78	*	*	*	
	16,86	1,58	32/3	42	141	0,77	81	27	151	0,53	80	15	164	0,33	78	*	*	*	
	14,72	1,38	32/3	48	135	0,84	81	31	146	0,59	80	17	158	0,36	79	*	*	*	
	13,18	2,55	31/6	53	134	0,75	85	34	141	0,50	84	19	139	0,27	83	*	*	*	
	11,63	2,25	31/6	60	128	0,75	85	39	136	0,50	85	21	140	0,27	84	*	*	*	
	9,41	1,82	31/6	74	128	0,75	86	48	135	0,50	85	27	137	0,27	84	*	*	*	
	8,17	1,58	31/6	86	130	0,75	86	55	137	0,50	85	31	135	0,27	84	*	*	*	
	7,13	1,38	31/6	98	126	0,75	87	63	136	0,50	86	35	133	0,27	84	*	*	*	

* Caution, do not exceed the maximum drive power P_{1max} according to the Typ W column.

kg	W	IEC 63	IEC 71	IEC 80	IEC 90
SK 13050	25	26	27	-	-
SK 02050	20	21	22	25	25

UNICASE™
Worm gear units

SK 13063 SK 12063



	i_{Total}	$i1$	$z2/z1$	W								IEC						
				n_2	M_{2max}	P_{1max}		η	n_2	M_{2max}	P_{1max}		η	$f_B \Rightarrow \text{F8 - 27}$				
						$f_B = 1$	$f_B \geq 1$				$f_B = 1$	$f_B \geq 1$		IEC 63	IEC 71			
				[r/min]	[Nm]	[kW]	[%]	[r/min]	[Nm]	[kW]	[%]							
				$n_1 = 1400 \text{ r/min}$				$n_1 = 930 \text{ r/min}$										
SK 13063	# 3631,55	71,21	51/1	0,39	380	0,03	45	0,26	387	0,02	45	*	*					
	# 2705,13	53,04	51/1	0,52	380	0,04	46	0,34	390	0,03	45	*	*					
	# 2374,16	46,55	51/1	0,59	380	0,05	46	0,39	391	0,04	45	*	*					
W	# 2110,94	41,39	51/1	0,66	380	0,06	46	0,44	393	0,04	45	*	*					
$\frac{mm}{mm}$	# 1343,63	62,49	43/2	1,0	380	0,06	64	0,69	388	0,04	64	*	*					
\Rightarrow F66	# 1140,40	53,04	43/2	1,2	380	0,07	64	0,82	390	0,05	64	*	*					
	938,20	18,40	51/1	1,5	380	0,13	47	0,99	392	0,09	46	*	*					
	737,53	14,46	51/1	1,9	380	0,16	48	1,3	396	0,11	47	*	*					
IEC	604,62	11,86	51/1	2,3	380	0,19	48	1,5	396	0,13	47		*					
$\frac{mm}{mm}$	531,64	10,42	51/1	2,6	380	0,21	49	1,7	395	0,15	47		*					
\Rightarrow F68	471,70	9,25	51/1	3,0	380	0,24	49	2,0	394	0,17	48		*					
	395,51	18,40	43/2	3,5	380	0,21	66	2,4	392	0,15	65		*					
	349,37	16,25	43/2	4,0	380	0,24	66	2,7	394	0,17	65		*					
	310,92	14,46	43/2	4,5	380	0,27	66	3,0	396	0,19	66		*					
	254,89	11,86	43/2	5,5	370	0,32	67	3,6	385	0,22	66		*					
	224,12	10,42	43/2	6,2	370	0,36	67	4,1	384	0,25	66		*					
	198,86	9,25	43/2	7,0	360	0,37	68	4,7	373	0,24	66							
	178,31	14,46	37/3	7,9	340	0,37	76	5,2	354	0,26	75							
	146,17	11,86	37/3	9,6	330	0,37	77	6,4	333	0,24	76							
	128,53	10,42	37/3	11	300	0,37	77	7,2	296	0,24	76							
	114,04	9,25	37/3	12	260	0,37	77	8,2	260	0,24	76							
	97,03	7,87	37/3	14	230	0,37	78	9,6	227	0,24	77							
	79,54	14,46	33/6	18	200	0,37	84	12	198	0,24	83							
	65,20	11,86	33/6	21	170	0,37	84	14	168	0,24	83							

	IEC 63	IEC 71	IEC 80	IEC 90	IEC 100												
						IEC 63	IEC 71	IEC 80	IEC 90	IEC 100							
SK 12063	# 626,79	12,29	51/1	2,2	360	0,17	48	1,5	375	0,13	47	*	*				
	# 529,38	10,38	51/1	2,6	360	0,20	49	1,8	374	0,15	47		*				
	# 464,61	9,11	51/1	3,0	360	0,23	49	2,0	373	0,16	48		*				
	# 413,10	8,10	51/1	3,4	360	0,26	50	2,3	375	0,19	48		*	*			
W	# 264,24	12,29	43/2	5,3	350	0,29	67	3,5	349	0,19	66		*				
$\frac{mm}{mm}$	# 223,17	10,38	43/2	6,3	360	0,35	67	4,2	374	0,25	66		*				
\Rightarrow F66	# 195,86	9,11	43/2	7,1	360	0,39	68	4,7	373	0,27	67						
	183,60	3,60	51/1	7,6	325	0,48	54	5,1	343	0,35	52			*	*		
	162,18	3,18	51/1	8,6	310	0,51	55	5,7	330	0,38	52			*	*		
	144,33	2,83	51/1	9,7	300	0,54	56	6,4	322	0,41	53			*	*	*	
IEC	118,32	2,32	51/1	12	295	0,64	58	7,9	320	0,49	54			*	*	*	
$\frac{mm}{mm}$	104,04	2,04	51/1	13	295	0,68	59	8,9	322	0,55	55			*	*	*	
\Rightarrow F67	92,31	1,81	51/1	15	295	0,77	60	10	325	0,61	56			*	*	*	
	77,40	3,60	43/2	18	305	0,80	72	12	322	0,58	70			*			
	68,37	3,18	43/2	20	295	0,85	73	14	314	0,66	70			*			
	60,85	2,83	43/2	23	280	0,92	73	15	301	0,67	71			*	*		
	49,88	2,32	43/2	28	262	1,02	75	19	284	0,78	72			*	*		
	43,86	2,04	43/2	32	250	1,12	75	21	273	0,82	73			*	*		
	38,92	1,81	43/2	36	245	1,22	76	24	270	0,92	74			*	*		
	34,89	2,83	37/3	40	262	1,35	81	27	281	0,99	80			*	*		
	28,61	2,32	37/3	49	245	1,53	82	33	266	1,13	81			*			
	25,15	2,04	37/3	56	245	1,73	83	37	268	1,28	81			*			
	22,32	1,81	37/3	63	245	1,95	83	42	270	1,45	82			*			
	18,99	1,54	37/3	74	215	1,98	84	49	240	1,50	82			*			
	15,57	2,83	33/6	90	190	2,06	87	60	204	1,49	86			*			
	12,76	2,32	33/6	110	180	2,20	88	73	195	1,45	87			*			
	11,22	2,04	33/6	125	175	2,20	88	83	191	1,45	87			*			
	9,96	1,81	33/6	141	170	2,20	89	93	187	1,45	88			*			
	8,47	1,54	33/6	165	166	2,20	89	110	185	1,45	88			*			
	7,43	1,35	33/6	188	156	2,20	90	125	176	1,45	88			*			

only available in version .Z or .F

* Caution, do not exceed the maximum drive power P_{1max} according to the Typ W column.

kg	W	IEC 63	IEC 71	IEC 80	IEC 90	IEC 100
SK 13063	29	30	31	-	-	-
SK 12063	24	25	26	29	29	29



		W												IEC								
		i_{Total}	$i1$	$z2/z1$	n_2	M_{2max}	P_{1max}	η	n_2	M_{2max}	P_{1max}	η	n_2	M_{2max}	P_{1max}	η	$f_B \Rightarrow$ F8 - 27					
		$f_B = 1$				$f_B \geq 1$				$f_B = 1$				$f_B \geq 1$				IEC	IEC			
		$n_1 = 700 \text{ r/min}$				$n_1 = 450 \text{ r/min}$				$n_1 = 250 \text{ r/min}$				63	71							
		[r/min] [Nm] [kW] [%]				[r/min] [Nm] [kW] [%]				[r/min] [Nm] [kW] [%]												
SK 13063	# 3631,55	71,21	51/1	0,19	392	0,02	45	0,12	426	0,01	45	0,07	454	0,01	45	*	*					
	# 2705,13	53,04	51/1	0,26	394	0,02	45	0,17	413	0,02	45	0,09	451	0,01	45	*	*					
	# 2374,16	46,55	51/1	0,29	397	0,03	45	0,19	406	0,02	45	0,11	449	0,01	45	*	*					
	# 2110,94	41,39	51/1	0,33	399	0,03	45	0,21	406	0,02	45	0,12	447	0,01	45	*	*					
	# 1343,63	62,49	43/2	0,52	392	0,03	64	0,33	421	0,02	64	0,19	452	0,01	64	*	*					
	# 1140,40	53,04	43/2	0,61	394	0,04	64	0,39	413	0,03	64	0,22	428	0,02	64	*	*					
	↪ F66	938,20	18,40	51/1	0,75	407	0,07	46	0,48	424	0,05	45	0,27	437	0,03	45	*	*				
		737,53	14,46	51/1	0,95	405	0,09	46	0,61	427	0,06	46	0,34	444	0,04	45	*	*				
	IEC	604,62	11,86	51/1	1,2	405	0,11	47	0,74	425	0,07	46	0,41	447	0,04	45	*	*				
	mm	531,64	10,42	51/1	1,3	406	0,12	47	0,85	423	0,08	46	0,47	448	0,05	45	*	*				
		471,70	9,25	51/1	1,5	406	0,14	47	0,95	421	0,09	46	0,53	449	0,05	46	*	*				
	↪ F68	395,51	18,40	43/2	1,8	407	0,12	65	1,1	424	0,08	64	0,63	437	0,05	64	*	*				
		349,37	16,25	43/2	2,0	406	0,13	65	1,3	425	0,09	65	0,72	440	0,05	64	*	*				
		310,92	14,46	43/2	2,3	405	0,15	65	1,4	427	0,10	65	0,8	444	0,06	64	*	*				
		254,89	11,86	43/2	2,7	395	0,17	65	1,8	414	0,12	65	0,98	435	0,07	64	*	*				
		224,12	10,42	43/2	3,1	395	0,19	66	2,0	412	0,13	65	1,1	430	0,08	64	*	*				
		198,86	9,25	43/2	3,5	385	0,19	66	2,3	388	0,12	65	1,3	382	0,07	64	*	*				
		178,31	14,46	37/3	3,9	363	0,20	75	2,5	382	0,13	75	1,4	396	0,08	74	*	*				
		146,17	11,86	37/3	4,8	329	0,19	75	3,1	329	0,12	75	1,7	325	0,07	74	*	*				
		128,53	10,42	37/3	5,4	292	0,19	75	3,5	292	0,12	75	1,9	288	0,07	74						
	114,04	9,25	37/3	6,1	260	0,19	76	3,9	257	0,12	75	2,2	257	0,07	75							
	97,03	7,87	37/3	7,2	224	0,19	76	4,6	221	0,12	75	2,6	221	0,07	75							
	79,54	14,46	33/6	8,8	198	0,19	83	5,7	196	0,12	82	3,1	196	0,07	82							
	65,20	11,86	33/6	11	168	0,19	83	6,9	168	0,12	83	3,8	166	0,07	82							

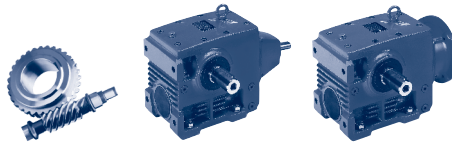
		W												IEC							
		i_{Total}	$i1$	$z2/z1$	n_2	M_{2max}	P_{1max}	η	n_2	M_{2max}	P_{1max}	η	n_2	M_{2max}	P_{1max}	η	63	71	80	90	100
SK 12063	# 626,79	12,29	51/1	1,1	384	0,10	46	0,72	403	0,07	46	0,4	423	0,04	45	*	*				
	# 529,38	10,38	51/1	1,3	385	0,11	47	0,85	401	0,08	46	0,47	424	0,05	45	*	*				
	# 464,61	9,11	51/1	1,5	385	0,13	47	0,97	399	0,09	46	0,54	426	0,05	46	*	*				
	# 413,10	8,10	51/1	1,7	385	0,15	47	1,1	401	0,10	46	0,61	428	0,06	46	*	*				
	# 264,24	12,29	43/2	2,6	344	0,14	65	1,7	344	0,09	65	0,95	338	0,05	64	*	*				
	# 223,17	10,38	43/2	3,1	385	0,19	66	2,0	401	0,13	65	1,1	424	0,08	64	*	*				
	# 195,86	9,11	43/2	3,6	385	0,22	66	2,3	399	0,15	65	1,3	426	0,09	64	*	*				
	↪ F66	183,60	3,60	51/1	3,8	359	0,29	50	2,5	377	0,21	48	1,4	399	0,12	47			*	*	
		162,18	3,18	51/1	4,3	343	0,30	51	2,8	363	0,22	49	1,5	384	0,13	47			*	*	
		144,33	2,83	51/1	4,8	333	0,33	51	3,1	355	0,24	49	1,7	376	0,14	47			*	*	*
	IEC	118,32	2,32	51/1	5,9	333	0,39	53	3,8	355	0,28	50	2,1	377	0,17	48			*	*	*
	mm	104,04	2,04	51/1	6,7	338	0,45	53	4,3	359	0,32	51	2,4	385	0,20	48			*	*	*
		92,31	1,81	51/1	7,6	343	0,51	54	4,9	363	0,37	51	2,7	393	0,23	49			*	*	*
	↪ F67	77,40	3,60	43/2	9,0	336	0,46	69	5,8	353	0,32	67	3,2	374	0,19	66			*	*	*
		68,37	3,18	43/2	10	327	0,50	69	6,6	345	0,36	67	3,7	366	0,21	66			*	*	*
		60,85	2,83	43/2	12	311	0,56	70	7,4	332	0,38	68	4,1	351	0,23	66			*	*	*
		49,88	2,32	43/2	14	296	0,61	71	9,0	315	0,43	69	5,0	335	0,26	67			*	*	*
		43,86	2,04	43/2	16	286	0,67	71	10	304	0,46	69	5,7	326	0,29	67			*	*	*
		38,92	1,81	43/2	18	285	0,75	72	12	301	0,54	70	6,4	327	0,33	67			*	*	*
		34,89	2,83	37/3	20	291	0,77	79	13	310	0,55	77	7,2	328	0,33	76			*	*	*
	28,61	2,32	37/3	24	277	0,88	79	16	295	0,63	78	8,7	313	0,38	76			*	*	*	
	25,15	2,04	37/3	28	281	1,03	80	18	298	0,72	78	9,9	320	0,43	77			*	*	*	
	22,32	1,81	37/3	31	285	1,16	80	20	301	0,80	79	11	327	0,49	77			*	*	*	
	18,99	1,54	37/3	37	254	1,21	81	24	272	0,87	79	13	295	0,52	77			*	*	*	
	15,57	2,83	33/6	45	211	1,16	86	29	225	0,81	84	16	238	0,48	83			*	*	*	
	12,76	2,32	33/6	55	203	1,10	86	35	216	0,73	85	20	230	0,40	84			*	*	*	
	11,22	2,04	33/6	62	200	1,10	86	40	213	0,73	85	22	228	0,40	84			*	*	*	
	9,96	1,81	33/6	70	197	1,10	87	45	209	0,73	86	25	227	0,40	84			*	*	*	
	8,47	1,54	33/6	83	196	1,10	87	53	210	0,73	86	30	228	0,40	85			*	*	*	
	7,43	1,35	33/6	94	187	1,10	88	61	202	0,73	86	34	220	0,40	85			*	*	*	

only available in version .Z or .F

* Caution, do not exceed the maximum drive power P_{1max} according to the Typ W column.

kg	W	IEC 63	IEC 71	IEC 80	IEC 90	IEC 100
SK 13063	29	30	31	-	-	-
SK 12063	24	25	26	29	29	29

SK 13080 SK 12080



	i _{Total}	i1	z2/z1	W				IEC				f _B ⇒ F8 - 27							
				n ₂	M _{2max}	P _{1max}	η	n ₂	M _{2max}	P _{1max}	η								
												f _B = 1		f _B ≥ 1		f _B = 1		f _B ≥ 1	
				[r/min]	[Nm]	[kW]	[%]	[r/min]	[Nm]	[kW]	[%]								
				n ₁ = 1400 r/min				n ₁ = 930 r/min											
SK 13080	# 3356,66	65,82	51/1	0,42	770	0,08	45	0,28	786	0,05	45	*	*						
	# 2658,22	52,12	51/1	0,53	770	0,09	45	0,35	790	0,06	45	*	*						
	# 2058,82	40,37	51/1	0,68	770	0,12	46	0,45	796	0,08	45	*	*						
W	1198,81	23,51	51/1	1,2	770	0,21	47	0,78	804	0,14	46		*						
	956,44	18,75	51/1	1,5	770	0,26	47	0,97	795	0,18	46		*						
⇒	805,28	15,79	51/1	1,7	770	0,29	48	1,2	800	0,21	47		*						
	706,25	13,85	51/1	2,0	770	0,33	49	1,3	804	0,23	47		*						
	630,68	12,37	51/1	2,2	770	0,36	49	1,5	802	0,27	47		*						
IEC	542,07	10,63	51/1	2,6	770	0,37	50	1,7	781	0,24	48								
	482,13	9,45	51/1	2,9	770	0,37	50	1,9	739	0,24	48								
⇒	403,20	18,75	43/2	3,5	770	0,37	67	2,3	795	0,24	66								
	339,48	15,79	43/2	4,1	700	0,37	68	2,7	679	0,24	66								
	297,73	13,85	43/2	4,7	610	0,37	68	3,1	601	0,24	67								
	265,87	12,37	43/2	5,3	570	0,37	68	3,5	562	0,24	67								
	228,52	10,63	43/2	6,1	570	0,37	69	4,1	554	0,24	67								
	193,73	18,75	31/3	7,2	450	0,37	78	4,8	448	0,24	77								
	163,11	15,79	31/3	8,6	380	0,37	78	5,7	377	0,24	77								
	143,05	13,85	31/3	9,8	340	0,37	78	6,5	335	0,24	77								
	127,74	12,37	31/3	11	300	0,37	79	7,3	299	0,24	78								
	109,80	10,63	31/3	13	260	0,37	79	8,5	257	0,24	78								
	97,65	9,45	31/3	14	230	0,37	79	9,5	229	0,24	78								

	#	i1	z2/z1	n ₂	M _{2max}	P _{1max}	η	n ₂	M _{2max}	P _{1max}	η	IEC							
												63	71	80	90	100	112		
SK 12080	# 656,88	12,88	51/1	2,1	710	0,32	49	1,4	740	0,23	47		*						
	# 520,20	10,20	51/1	2,7	710	0,40	50	1,8	737	0,29	48			*					
	# 402,90	7,90	51/1	3,5	710	0,51	51	2,3	740	0,36	49			*					
W	# 276,92	12,88	43/2	5,1	710	0,56	68	3,4	740	0,39	67								
	234,60	4,60	51/1	6,0	710	0,81	55	4,0	752	0,61	52				*				
⇒	187,17	3,67	51/1	7,5	670	0,92	57	5,0	706	0,68	54				*	*	*		
	157,59	3,09	51/1	8,9	670	1,08	58	5,9	714	0,8	55				*	*	*	*	
	138,21	2,71	51/1	10	645	1,13	60	6,7	694	0,87	56				*	*	*	*	
IEC	123,42	2,42	51/1	11	620	1,17	61	7,5	671	0,92	57				*	*	*	*	
	106,08	2,08	51/1	13	590	1,30	62	8,8	643	1,02	58				*	*	*	*	
⇒	94,35	1,85	51/1	15	560	1,04	63	9,9	615	1,08	59				*	*	*	*	
	78,91	3,67	43/2	18	655	1,65	75	12	690	1,2	72				*	*	*	*	
	66,44	3,09	43/2	21	630	1,82	76	14	672	1,35	73				*	*	*	*	
	58,27	2,71	43/2	24	600	1,96	77	16	646	1,46	74				*	*	*	*	
	52,03	2,42	43/2	27	575	2,11	77	18	622	1,56	75				*	*	*	*	
	44,72	2,08	43/2	31	550	2,29	78	21	600	1,74	76				*	*	*	*	
	37,91	3,67	31/3	37	550	2,57	83	25	580	1,85	82				*	*	*	*	
	31,92	3,09	31/3	44	525	2,88	84	29	560	2,07	82				*	*	*	*	
	27,99	2,71	31/3	50	510	3,14	85	33	549	2,29	83				*	*	*	*	
	25,00	2,42	31/3	56	490	3,38	85	37	530	2,47	83				*	*	*	*	
	21,49	2,08	31/3	65	470	3,72	86	43	513	2,75	84				*	*	*	*	
	19,11	1,85	31/3	73	455	4,00	86	49	500	2,64	85				*	*	*	*	
	15,98	3,09	31/6	88	395	4,00	89	58	421	2,64	88				*	*	*	*	
	14,01	2,71	31/6	100	365	4,00	89	66	393	2,64	88				*	*	*	*	
	12,51	2,42	31/6	112	345	4,00	90	74	373	2,64	88				*	*	*	*	
	10,75	2,08	31/6	130	340	4,00	90	87	371	2,64	89				*	*	*	*	
	9,56	1,85	31/6	146	340	4,00	90	97	374	2,64	89				*	*	*	*	
	7,55	1,46	31/6	185	295	4,00	91	123	330	2,64	90				*	*	*	*	

only available in version .Z or .F

* Caution, do not exceed the maximum drive power P_{1max} according to the Typ W column.

kg	W	IEC 63	IEC 71	IEC 80	IEC 90	IEC 100	IEC 112
SK 13080	39	40	41	-	-	-	-
SK 12080	34	35	36	39	39	39	46



	i _{Total}	i1	z2/z1	W												IEC						
				n ₂ M _{2max} P _{1max} η				n ₂ M _{2max} P _{1max} η				n ₂ M _{2max} P _{1max} η				f _B ⇒ F8 - 27						
				f _B = 1 f _B ≥ 1				f _B = 1 f _B ≥ 1				f _B = 1 f _B ≥ 1										
				n ₁ = 700 r/min				n ₁ = 450 r/min				n ₁ = 250 r/min										
				[r/min]	[Nm]	[kW]	[%]	[r/min]	[Nm]	[kW]	[%]	[r/min]	[Nm]	[kW]	[%]	IEC 63	IEC 71					
SK 13080	#3356,66	65,82	51/1	0,21	793	0,04	45	0,13	857	0,03	45	0,07	918	0,02	44	*	*					
	#2658,22	52,12	51/1	0,26	800	0,05	45	0,17	835	0,03	45	0,09	912	0,02	44	*	*					
	#2058,82	40,37	51/1	0,34	809	0,06	45	0,22	823	0,04	45	0,12	905	0,03	44	*	*					
	W	1198,81	23,51	51/1	0,58	828	0,11	46	0,38	853	0,08	45	0,21	874	0,04	45	*	*				
	mm	956,44	18,75	51/1	0,73	825	0,14	46	0,47	858	0,09	45	0,26	884	0,05	45	*	*				
	↕ F66	805,28	15,79	51/1	0,87	823	0,16	46	0,56	862	0,11	46	0,31	894	0,06	45	*	*				
		706,25	13,85	51/1	0,99	821	0,19	46	0,64	866	0,13	46	0,35	902	0,07	45	*	*				
		630,68	12,37	51/1	1,1	821	0,2	47	0,71	863	0,14	46	0,4	851	0,08	45	*	*				
	IEC	482,07	10,63	51/1	1,3	764	0,19	47	0,83	748	0,12	46	0,46	732	0,07	45						
	mm	482,13	9,45	51/1	1,5	724	0,19	47	0,93	709	0,12	46	0,52	693	0,07	45						
	↕ F68	403,20	18,75	43/2	1,7	798	0,19	66	1,1	786	0,12	65	0,62	786	0,07	65	*	*				
		339,48	15,79	43/2	2,1	679	0,19	66	1,3	669	0,12	65	0,74	669	0,07	65						
		297,73	13,85	43/2	2,4	592	0,19	66	1,5	583	0,12	65	0,84	583	0,07	65						
		265,87	12,37	43/2	2,6	554	0,19	66	1,7	554	0,12	66	0,94	545	0,07	65						
		228,52	10,63	43/2	3,1	554	0,19	67	2,0	545	0,12	66	1,1	537	0,07	65						
		193,73	18,75	31/3	3,6	442	0,19	76	2,3	442	0,12	76	1,3	442	0,07	76						
		163,11	15,79	31/3	4,3	377	0,19	77	2,8	372	0,12	76	1,5	372	0,07	76						
		143,05	13,85	31/3	4,9	335	0,19	77	3,1	331	0,12	76	1,7	331	0,07	76						
		127,74	12,37	31/3	5,5	295	0,19	77	3,5	291	0,12	76	2,0	291	0,07	76						
		109,80	10,63	31/3	6,4	254	0,19	77	4,1	254	0,12	77	2,3	250	0,07	76						
	97,65	9,45	31/3	7,2	229	0,19	78	4,6	226	0,12	77	2,6	223	0,07	76							

	i _{Total}	i1	z2/z1	n ₂	M _{2max}	P _{1max}	η	W						IEC								
								n ₁	M _{2max}	P _{1max}	η	n ₁	M _{2max}	P _{1max}	η	n ₁	M _{2max}	P _{1max}	η	63	71	80
SK 12080	# 656,88	12,88	51/1	1,1	757	0,19	47	0,69	797	0,13	46	0,38	833	0,07	45	*	*					
	# 520,20	10,20	51/1	1,3	759	0,22	47	0,87	791	0,16	46	0,48	838	0,09	45			*	*			
	# 402,90	7,90	51/1	1,7	761	0,28	48	1,1	792	0,19	47	0,62	844	0,12	46			*	*			
	# 276,92	12,88	43/2	2,5	731	0,29	66	1,6	731	0,19	66	0,9	720	0,10	65							
	W	234,60	4,60	51/1	3,0	779	0,49	50	1,9	810	0,34	48	1,1	857	0,21	47			*	*		
	mm	187,17	3,67	51/1	3,7	739	0,55	52	2,4	775	0,40	49	1,3	820	0,24	47			*	*	*	*
	↕ F66	157,59	3,09	51/1	4,4	742	0,65	53	2,9	787	0,48	50	1,6	832	0,29	48			*	*	*	*
		138,21	2,71	51/1	5,1	719	0,71	54	3,3	767	0,52	51	1,8	811	0,32	48			*	*	*	*
	IEC	123,42	2,42	51/1	5,7	698	0,76	55	3,6	743	0,54	52	2,0	787	0,34	49			*	*	*	*
	mm	106,08	2,08	51/1	6,6	674	0,83	56	4,2	716	0,59	53	2,4	767	0,39	49			*	*	*	*
	↕ F67	94,35	1,85	51/1	7,4	649	0,88	57	4,8	688	0,65	53	2,6	744	0,41	50			*	*	*	*
		78,91	3,67	43/2	8,9	722	0,95	71	5,7	758	0,66	69	3,2	802	0,40	67			*	*	*	*
		66,44	3,09	43/2	11	698	1,12	72	6,8	740	0,76	69	3,8	783	0,47	67			*	*	*	*
		58,27	2,71	43/2	12	668	1,17	72	7,7	713	0,82	70	4,3	754	0,50	68			*	*	*	*
		52,03	2,42	43/2	13	647	1,21	73	8,6	689	0,89	70	4,8	730	0,54	68			*	*	*	*
		44,72	2,08	43/2	16	629	1,42	74	10	668	0,99	71	5,6	715	0,61	69			*	*	*	*
		37,91	3,67	31/3	18	607	1,43	80	12	636	1,01	79	6,6	673	0,60	77			*	*	*	*
		31,92	3,09	31/3	22	582	1,66	81	14	616	1,14	79	7,8	652	0,68	78			*	*	*	*
		27,99	2,71	31/3	25	568	1,81	82	16	606	1,27	80	8,9	641	0,77	78			*	*	*	*
		25,00	2,42	31/3	28	551	1,97	82	18	587	1,38	80	10	622	0,84	78			*	*	*	*
	21,49	2,08	31/3	33	537	2,24	83	21	571	1,55	81	12	611	0,97	79			*	*	*	*	
	19,11	1,85	31/3	37	528	2,00	83	24	559	1,32	81	13	604	0,72	79			*	*	*	*	
	15,98	3,09	31/6	44	417	2,00	87	28	408	1,32	85	16	403	0,72	84			*	*	*	*	
	14,01	2,71	31/6	50	407	2,00	87	32	409	1,32	86	18	399	0,72	84			*	*	*	*	
	12,51	2,42	31/6	56	388	2,00	87	36	406	1,32	86	20	401	0,72	85			*	*	*	*	
	10,75	2,08	31/6	65	389	2,00	88	42	406	1,32	87	23	397	0,72	85			*	*	*	*	
	9,56	1,85	31/6	73	394	2,00	88	47	402	1,32	87	26	393	0,72	85			*	*	*	*	
	7,55	1,46	31/6	93	351	2,00	89	60	377	1,32	88	33	390	0,72	86			*	*	*	*	

only available in version .Z or .F

* Caution, do not exceed the maximum drive power P_{1max} according to the Typ W column.

kg	W	IEC 63	IEC 71	IEC 80	IEC 90	IEC 100	IEC 112
SK 13080	39	40	41	-	-	-	-
SK 12080	34	35	36	39	39	39	46

UNICASE™
Worm gear units



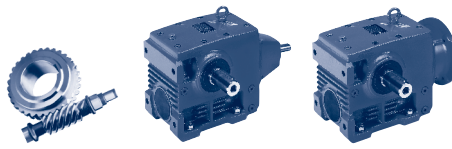
	i _{Total}	i1	z2/z1	W												IEC						
				n ₂ M _{2max} P _{1max} η				n ₂ M _{2max} P _{1max} η				n ₂ M _{2max} P _{1max} η				f _B ⇒ F8 - 27						
				f _B = 1		f _B ≥ 1		f _B = 1		f _B ≥ 1		f _B = 1		f _B ≥ 1		IEC	IEC	IEC	IEC			
				n ₁ = 700 r/min				n ₁ = 450 r/min				n ₁ = 250 r/min				63	71	80	90			
				[r/min]	[Nm]	[kW]	[%]	[r/min]	[Nm]	[kW]	[%]	[r/min]	[Nm]	[kW]	[%]							
SK 33100	5875,95	117,52	50/1	0,12	1760	0,05	45	0,08	1845	0,03	45	0,04	1913	0,02	45	*	*					
	4646,10	92,92	50/1	0,15	1712	0,06	45	0,10	1820	0,04	45	0,05	1907	0,02	45	*	*					
	3735,10	74,70	50/1	0,19	1655	0,07	45	0,12	1791	0,05	45	0,07	1900	0,03	45	*	*					
W	2200,07	44,00	50/1	0,32	1664	0,12	46	0,20	1690	0,08	45	0,11	1874	0,05	45		*					
mm	1671,69	33,43	50/1	0,42	1690	0,16	46	0,27	1726	0,11	46	0,15	1853	0,06	45		*					
⇒ F66	1507,71	30,15	50/1	0,46	1703	0,18	46	0,30	1743	0,12	46	0,17	1843	0,07	45							
	1175,19	23,50	50/1	0,6	1710	0,23	47	0,38	1762	0,15	46	0,21	1805	0,09	45							
	660,60	13,21	50/1	1,1	1695	0,41	48	0,68	1785	0,27	47	0,38	1865	0,16	46			*	*			
IEC	519,31	10,39	50/1	1,3	1698	0,47	49	0,87	1772	0,34	47	0,48	1875	0,20	46				*			
mm	468,37	9,37	50/1	1,5	1700	0,54	49	0,96	1764	0,37	48	0,53	1880	0,23	46				*			
⇒ F68	365,07	7,30	50/1	1,9	1619	0,64	50	1,2	1692	0,44	48	0,68	1800	0,27	47				*			
	299,28	5,99	50/1	2,3	1642	0,78	51	1,5	1715	0,55	49	0,84	1815	0,34	47				*			
	257,63	13,21	39/2	2,7	1610	0,67	68	1,7	1696	0,45	67	0,97	1771	0,27	66				*			
	182,66	9,37	39/2	3,8	1518	0,75	69	2,5	1576	0,50	68	1,4	1679	0,27	67				*			
	142,38	7,30	39/2	4,9	1405	0,75	70	3,2	1468	0,50	68	1,8	1562	0,27	67				*			
	121,21	10,39	35/3	5,8	1271	0,75	78	3,7	1326	0,50	77	2,1	1403	0,27	76				*			
	109,32	9,37	35/3	6,4	1272	0,75	78	4,1	1320	0,50	77	2,3	1397	0,27	76				*			
	85,21	7,30	35/3	8,2	1158	0,75	79	5,3	1210	0,50	77	2,9	1287	0,27	76				*			
	69,85	5,99	35/3	10	1174	0,75	79	6,4	1227	0,50	78	3,6	1298	0,27	76				*			
	53,70	10,39	31/6	13	688	0,75	84	8,4	688	0,50	84	4,7	680	0,27	83				*			

	i _{Total}	i1	z2/z1	W												IEC						
				n ₂ M _{2max} P _{1max} η				n ₂ M _{2max} P _{1max} η				n ₂ M _{2max} P _{1max} η				71	80	90	100	112	132	
SK 32100	645,00	12,90	50/1	1,1	1514	0,36	48	0,70	1593	0,25	47	0,39	1666	0,15	46			*	*			
	510,00	10,20	50/1	1,4	1517	0,45	49	0,88	1581	0,31	47	0,49	1675	0,19	46				*			
W	410,00	8,20	50/1	1,7	1451	0,52	50	1,1	1508	0,36	48	0,61	1609	0,22	47				*	*	*	
mm	304,00	6,08	50/1	2,3	1542	0,73	51	1,5	1611	0,52	49	0,82	1706	0,31	47				*			
⇒ F66	241,50	4,83	50/1	2,9	1558	0,89	53	1,9	1621	0,65	50	1,0	1709	0,37	48				*	*	*	
	183,50	3,67	50/1	3,8	1505	1,09	55	2,5	1579	0,79	52	1,4	1671	0,50	49				*	*		
	165,50	3,31	50/1	4,2	1470	1,18	55	2,7	1552	0,84	52	1,5	1642	0,53	49				*	*		
IEC	129,00	2,58	50/1	5,4	1387	1,35	58	3,5	1479	1,00	54	1,9	1564	0,62	50				*	*	*	
mm	104,00	2,08	50/1	6,7	1337	1,56	60	4,3	1420	1,14	56	2,4	1521	0,75	51				*	*	*	*
⇒ F667	94,19	4,83	39/2	7,4	1437	1,55	72	4,8	1495	1,07	70	2,7	1576	0,66	68				*	*		
	71,57	3,67	39/2	9,8	1345	1,89	73	6,3	1412	1,31	71	3,5	1494	0,79	69				*	*		
	64,55	3,31	39/2	11	1316	2,05	74	7,0	1389	1,41	72	3,9	1469	0,87	69				*	*		
	50,31	2,58	39/2	14	1242	2,40	76	8,9	1324	1,69	73	5,0	1400	1,05	70				*	*	*	
	42,83	3,67	35/3	16	1213	2,51	81	11	1273	1,86	79	5,8	1347	1,05	78				*	*		
	38,63	3,31	35/3	18	1216	2,80	82	12	1284	2,02	80	6,5	1358	1,18	78				*			
	34,32	1,76	39/2	20	1269	3,41	78	13	1346	2,44	75	7,3	1459	1,55	72				*			
	30,11	2,58	35/3	23	1175	3,41	83	15	1252	2,43	81	8,3	1324	1,46	79				*			
	24,27	2,08	35/3	29	1166	4,22	84	19	1238	3,00	82	10	1326	1,76	79				*			
	20,54	1,76	35/3	34	978	4,10	85	22	1037	2,88	83	12	1125	1,77	80				*			
	18,97	3,67	31/6	37	712	3,17	87	24	704	2,06	86	13	688	1,11	84				*			
	17,11	3,31	31/6	41	717	3,50	88	26	700	2,22	86	15	692	1,28	85				*			
	16,22	1,39	35/3	43	897	3,75	86	28	968	2,48	84	15	1051	1,35	81				*			
	13,34	2,58	31/6	52	712	3,75	89	34	696	2,48	87	19	680	1,35	85				*			
	10,75	2,08	31/6	65	709	3,75	89	42	701	2,48	88	23	685	1,35	86				*			
	9,10	1,76	31/6	77	709	3,75	90	49	694	2,48	88	27	678	1,35	86				*			
	7,19	1,39	31/6	97	680	3,75	91	63	665	2,48	89	35	650	1,35	87				*			

* Caution, do not exceed the maximum drive power P_{1max} according to the Typ W column.

kg	W	IEC 63	IEC 71	IEC 80	IEC 90	IEC 100	IEC 112	IEC 132
SK 33100	68	69	70	73	73	-	-	-
SK 32100	66	-	64	68	68	72	72	81

SK 43125 SK 42125



	i_{Total}	$i1$	$z2/z1$	W				IEC				IEC						
				n_2	M_{2max}	P_{1max}	η	n_2	M_{2max}	P_{1max}	η	$f_B \Rightarrow \text{F8} - 27$						
												$f_B = 1$		$f_B \geq 1$		$f_B = 1$		$f_B \geq 1$
				$n_1 = 1400 \text{ r/min}$				$n_1 = 930 \text{ r/min}$				71		80		90		100
			[r/min]	[Nm]	[kW]	[%]	[r/min]	[Nm]	[kW]	[%]								
SK 43125	7095,12	150,96	47/1	0,20	3000	0,13	47	0,13	3000	0,09	47	*	*	*				
	5057,67	107,61	47/1	0,28	3090	0,19	48	0,18	3222	0,13	47	*	*	*				
	3442,09	73,24	47/1	0,41	3090	0,28	48	0,27	3146	0,19	48	*	*	*				
	2526,44	53,75	47/1	0,55	3090	0,36	49	0,37	3168	0,26	48	*	*	*				
	2056,63	43,76	47/1	0,68	3090	0,45	49	0,45	3187	0,31	48		*	*				
W	1860,07	39,58	47/1	0,75	3090	0,50	49	0,50	3198	0,35	48		*	*				
mm	1639,55	34,88	47/1	0,85	3090	0,55	50	0,57	3215	0,39	49		*	*				
\Rightarrow F66	1476,55	31,42	47/1	0,95	3090	0,61	50	0,63	3230	0,43	49		*	*				
	1198,50	25,50	47/1	1,2	3090	0,76	51	0,78	3239	0,54	49			*				
IEC	928,25	19,75	47/1	1,5	3090	0,93	52	1,0	3200	0,67	50			*				
mm	794,58	16,91	47/1	1,8	3090	1,10	53	1,2	3201	0,79	51			*				
\Rightarrow F68	689,67	30,65	45/2	2,0	2830	0,87	68	1,3	2962	0,60	67			*				
	607,91	27,02	45/2	2,3	2670	0,95	68	1,5	2805	0,66	67			*				
	547,47	24,33	45/2	2,6	3090	1,22	69	1,7	3233	0,86	67			*				
	444,38	19,75	45/2	3,2	2990	1,45	69	2,1	3022	0,98	68			*				
	380,39	16,91	45/2	3,7	2610	1,44	70	2,4	2625	0,96	69			*				
	323,51	14,38	45/2	4,3	2400	1,52	71	2,9	2332	1,03	69					*	*	
	269,76	11,99	45/2	5,2	2810	2,13	72	3,4	2926	1,49	70					*	*	
	236,58	10,51	45/2	5,9	2810	2,38	73	3,9	2918	1,70	70					*	*	
	187,80	8,35	45/2	7,5	2590	2,75	74	5,0	2694	1,96	72					*	*	
	152,44	6,78	45/2	9,2	2590	3,28	76	6,1	2721	2,38	73					*	*	
	130,49	5,80	45/2	11	2480	3,71	77	7,1	2631	2,64	74					*	*	
	110,97	4,93	45/2	13	2370	4,00	78	8,4	2514	2,64	75					*	*	
	86,22	8,35	31/3	16	1760	3,55	83	11	1830	2,60	81					*	*	
	69,99	6,78	31/3	20	1560	3,89	84	13	1639	2,72	82					*	*	
	62,50	6,05	31/3	22	1570	4,00	85	15	1661	2,64	83							

	i_{Total}	$i1$	$z2/z1$	n_2	M_{2max}	P_{1max}	η	n_2	M_{2max}	P_{1max}	η	IEC	IEC	IEC	IEC	IEC	IEC	AI
												71	80	90	100	112	132	160
SK 42125	695,60	14,80	47/1	2,0	2850	1,11	54	1,3	2968	0,79	51			*	*	*		
	495,85	10,55	47/1	2,8	2850	1,49	56	1,9	2960	1,11	53			*	*	*		
	337,46	7,18	47/1	4,1	2850	2,07	59	2,8	2985	1,56	56			*	*	*	*	
	247,69	5,27	47/1	5,7	2760	2,66	62	3,8	2932	2,01	58			*	*	*	*	
W	201,63	4,29	47/1	6,9	2630	2,92	65	4,6	2781	2,23	60			*	*	*	*	
mm	182,36	3,88	47/1	7,7	2560	3,13	66	5,1	2700	2,36	61			*	*	*	*	
\Rightarrow F66	160,74	3,42	47/1	8,7	2470	3,36	67	5,8	2615	2,52	63			*	*	*	*	
	144,76	3,08	47/1	9,7	2390	3,57	68	6,4	2549	2,67	64			*	*	*	*	
	117,50	2,50	47/1	12	2240	3,96	71	7,9	2419	3,03	66			*	*	*	*	
IEC, AI	100,58	2,14	47/1	14	2130	4,34	72	9,2	2319	3,29	68			*	*	*	*	
mm	87,30	3,88	45/2	16	2360	4,94	80	11	2489	3,72	77			*	*	*	*	
\Rightarrow F67	76,95	3,42	45/2	18	2290	5,33	81	12	2424	3,90	78			*	*	*	*	
	69,30	3,08	45/2	20	2220	5,74	81	13	2368	4,13	78			*	*	*	*	
	56,25	2,50	45/2	25	2060	6,50	83	17	2225	4,95	80			*	*	*	*	
	48,15	2,14	45/2	29	1960	7,09	84	19	2134	5,24	81			*	*	*	*	
	40,95	1,82	45/2	34	1840	7,71	85	23	2024	5,94	82			*	*	*	*	
	35,33	3,42	31/3	40	1600	7,62	88	26	1694	5,36	86			*	*	*	*	
	31,82	3,08	31/3	44	1840	9,63	88	29	1962	6,93	86			*	*	*	*	
	25,83	2,50	31/3	54	1710	10,86	89	36	1847	8,00	87			*	*	*	*	
	22,11	2,14	31/3	63	1610	11,80	90	42	1753	8,76	88			*	*	*	*	
	18,80	1,82	31/3	74	1510	13,00	90	49	1661	9,58	89			*	*	*	*	
	15,92	3,08	31/6	88	1240	12,42	92	58	1300	8,77	90			*	*	*	*	
	14,57	1,41	31/3	96	1340	14,80	91	64	1506	11,21	90			*	*	*	*	
	12,93	2,50	31/6	108	1240	15,0	92	72	1314	9,90	91			*	*	*	*	
	11,06	2,14	31/6	127	1240	15,0	93	84	1297	9,90	92			*	*	*	*	
	9,41	1,82	31/6	149	1140	15,0	93	99	1254	9,90	92			*	*	*	*	
	8,43	1,63	31/6	166	1140	15,0	93	110	1234	9,90	92			*	*	*	*	
	7,76	1,50	31/6	180	1010	15,0	93	120	1129	9,90	93			*	*	*	*	
	7,29	1,41	31/6	192	940	15,0	93	128	1057	9,90	93			*	*	*	*	

* Caution, do not exceed the maximum drive power P_{1max} according to the Typ W column.

kg	W	IEC 71	IEC 80	IEC 90	IEC 100	IEC 112	IEC 132	IEC 160
SK 43125	123	121	125	125	129	129	-	-
SK 42125	116	-	-	111	118	118	132	130



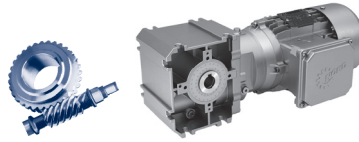
	i _{Total}	i1	z2/z1	W												IEC				
				n ₂ M _{2max} P _{1max} η				n ₂ M _{2max} P _{1max} η				n ₂ M _{2max} P _{1max} η				f _B ⇨ F8 - 27				
				f _B = 1		f _B ≥ 1		f _B = 1		f _B ≥ 1		f _B = 1		f _B ≥ 1						
n ₁ = 700 r/min				n ₁ = 450 r/min				n ₁ = 250 r/min												
				[r/min]	[Nm]	[kW]	[%]	[r/min]	[Nm]	[kW]	[%]	[r/min]	[Nm]	[kW]	[%]	IEC 71	IEC 80	IEC 90	IEC 100	IEC 112
SK 43125	7095,12	150,96	47/1	0,10	3000	0,07	47	0,06	3000	0,04	47	0,04	3000	0,03	47	*	*	*		
	5057,67	107,61	47/1	0,14	3388	0,11	47	0,09	3569	0,07	47	0,05	3714	0,04	47	*	*	*		
	3442,09	73,24	47/1	0,20	3204	0,14	47	0,13	3475	0,10	47	0,07	3691	0,06	47	*	*	*		
W	2526,44	53,75	47/1	0,28	3206	0,20	48	0,18	3364	0,13	47	0,10	3665	0,08	47	*	*	*		
mm	2056,63	43,76	47/1	0,34	3235	0,24	48	0,22	3286	0,16	47	0,12	3641	0,10	47	*	*	*		
⇨ F66	1860,07	39,58	47/1	0,38	3252	0,27	48	0,24	3309	0,18	47	0,13	3628	0,11	47	*	*	*		
	1639,55	34,88	47/1	0,43	3276	0,31	48	0,27	3342	0,20	48	0,15	3608	0,12	47	*	*	*		
	1476,55	31,42	47/1	0,47	3299	0,34	48	0,30	3374	0,22	48	0,17	3589	0,14	47	*	*	*		
IEC	1198,50	25,50	47/1	0,58	3325	0,41	49	0,38	3420	0,28	48	0,21	3380	0,16	47	*	*	*		
mm	928,25	19,75	47/1	0,75	3315	0,53	49	0,48	3439	0,36	48	0,27	3538	0,21	48		*	*		
⇨ F68	794,58	16,91	47/1	0,88	3306	0,61	50	0,57	3453	0,42	49	0,31	3571	0,24	48		*	*		
	689,67	30,65	45/2	1,0	3027	0,48	66	0,65	3097	0,32	66	0,36	3282	0,19	65		*	*		
	607,91	27,02	45/2	1,2	2875	0,54	67	0,74	2952	0,35	66	0,41	3063	0,20	65		*	*		
	547,47	24,33	45/2	1,3	3324	0,68	67	0,82	3396	0,44	66	0,46	3396	0,25	66		*	*		
	444,38	19,75	45/2	1,6	2977	0,74	67	1,2	2933	0,47	66	0,56	2933	0,26	66		*	*		
	380,39	16,91	45/2	1,8	2587	0,72	68	1,2	2549	0,48	67	0,66	2511	0,26	66		*	*		
	323,51	14,38	45/2	2,2	2298	0,78	68	1,4	2265	0,50	67	0,77	2231	0,27	66		*	*		
	269,76	11,99	45/2	2,6	2998	1,18	69	1,7	3146	0,84	67	0,93	3302	0,49	66		*	*		
	236,58	10,51	45/2	3,0	3001	1,37	69	1,9	3132	0,92	68	1,1	3312	0,58	66		*	*		
	187,80	8,35	45/2	3,7	2772	1,53	70	2,4	2880	1,06	68	1,3	3073	0,62	67		*	*		
	152,44	6,78	45/2	4,6	2786	1,89	71	3,2	2916	1,33	69	1,6	3096	0,77	67		*	*		
	130,49	5,80	45/2	5,4	2705	2,12	72	3,4	2824	1,44	70	1,9	2986	0,87	68		*	*		
	110,97	4,93	45/2	6,3	2599	2,00	73	4,1	2706	1,32	71	2,3	2849	0,72	68		*	*		
	86,22	8,35	31/3	8,1	1884	2,00	80	5,2	1866	1,29	79	2,9	1842	0,72	78		*	*		
	69,99	6,78	31/3	10	1678	2,17	81	6,4	1756	1,47	80	3,6	1810	0,87	78		*	*		
	62,50	6,05	31/3	11	1705	2,00	82	7,2	1782	1,32	80	4,0	1810	0,72	78		*	*		

	i _{Total}	i1	z2/z1	W												IEC					AI
				n ₂ M _{2max} P _{1max} η				n ₂ M _{2max} P _{1max} η				n ₂ M _{2max} P _{1max} η				90	100	112	132	160	
SK 42125	695,60	14,80	47/1	1,0	3041	0,64	50	0,65	3068	0,43	49	0,36	3005	0,24	48	*	*	*			
	495,85	10,55	47/1	1,4	3044	0,86	52	0,91	3177	0,61	50	0,50	3359	0,37	48	*	*	*			
	337,46	7,18	47/1	2,1	3056	1,24	54	1,3	3196	0,85	51	0,74	3399	0,54	49		*	*	*		
	247,69	5,27	47/1	2,8	3023	1,58	56	1,8	3152	1,12	53	1,0	3322	0,70	50		*	*	*		
W	201,63	4,29	47/1	3,5	2891	1,83	58	2,2	3010	1,28	54	1,2	3186	0,78	51		*	*	*		
mm	182,36	3,88	47/1	3,8	2820	1,90	59	2,5	2950	1,40	55	1,4	3122	0,88	52		*	*	*		
⇨ F66	160,74	3,42	47/1	4,4	2729	2,10	60	2,8	2874	1,50	56	1,6	3041	0,98	52		*	*	*		
	144,76	3,08	47/1	4,8	2648	2,18	61	3,1	2807	1,60	57	1,7	2970	1,00	53		*	*	*		
	117,50	2,50	47/1	6,0	2513	2,51	63	3,8	2678	1,81	59	2,1	2831	1,15	54		*	*	*		
	100,58	2,14	47/1	7,0	2427	2,74	65	4,5	2579	2,03	60	2,5	2756	1,31	55		*	*	*		
IEC, AI	87,30	3,88	45/2	8,0	2599	2,90	75	5,2	2720	2,06	72	2,9	2878	1,27	69		*	*	*		
mm	76,95	3,42	45/2	9,1	2530	3,21	75	5,8	2665	2,22	73	3,2	2820	1,35	70		*	*	*		
⇨ F67	69,30	3,08	45/2	10	2459	3,39	76	6,5	2608	2,43	73	3,6	2759	1,49	70		*	*	*		
	56,25	2,50	45/2	12	2311	3,72	78	8,0	2462	2,75	75	4,4	2604	1,69	71		*	*	*		
	48,15	2,14	45/2	15	2233	4,44	79	9,3	2373	3,04	76	5,2	2536	1,92	72		*	*	*		
	40,95	1,82	45/2	17	2136	4,75	80	11	2263	3,39	77	6,1	2450	2,14	73		*	*	*		
	35,33	3,42	31/3	20	1767	4,41	84	13	1862	3,09	82	7,1	1904	1,77	80		*	*	*		
	31,82	3,08	31/3	22	2008	5,44	85	14	1960	3,46	83	7,9	1890	1,95	80		*	*	*		
	25,83	2,50	31/3	27	1918	6,31	86	17	1949	4,13	84	9,7	1880	2,36	81		*	*	*		
	22,11	2,14	31/3	32	1834	7,06	87	20	1917	4,78	84	11	1872	2,63	82		*	*	*		
	18,80	1,82	31/3	37	1753	7,81	87	24	1857	5,49	85	13	1829	3,04	82		*	*	*		
	15,92	3,08	31/6	44	1285	6,65	89	28	1271	4,23	88	16	1242	2,42	86		*	*	*		
	14,57	1,41	31/3	48	1599	9,03	89	31	1725	6,44	87	17	1801	3,82	84		*	*	*		
	12,93	2,50	31/6	54	1300	7,5	90	35	1271	4,95	88	19	1242	2,70	86		*	*	*		
	11,06	2,14	31/6	63	1283	7,5	91	41	1255	4,95	89	23	1226	2,70	87		*	*	*		
	9,41	1,82	31/6	74	1251	7,5	91	48	1238	4,95	90	27	1196	2,70	87		*	*	*		
	8,43	1,63	31/6	83	1220	7,5	91	53	1207	4,95	90	30	1180	2,70	88		*	*	*		
	7,76	1,50	31/6	90	1196	7,5	92	58	1207	4,95	90	32	1180	2,70	88		*	*	*		
	7,29	1,41	31/6	96	1122	7,5	92	62	1189	4,95	91	34	1150	2,70	88		*	*	*		

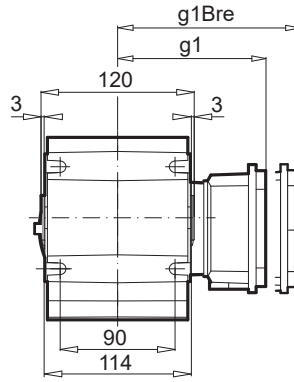
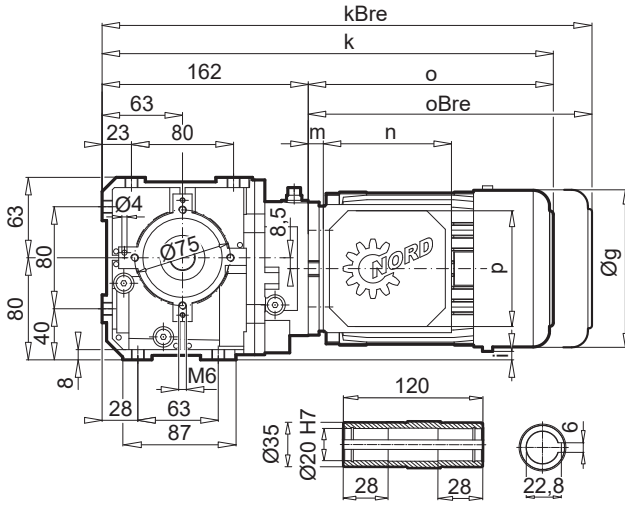
* Caution, do not exceed the maximum drive power P_{1max} according to the Typ W column.

kg	W	IEC 71	IEC 80	IEC 90	IEC 100	IEC 112	IEC 132	IEC 160
SK 43125	123	121	125	125	129	129	-	-
SK 42125	116	-	-	111	118	118	132	130

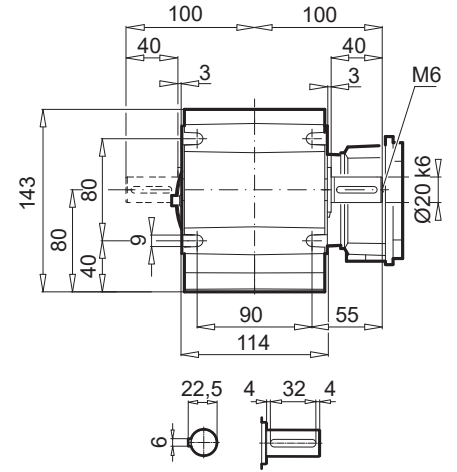
SK 02040.1



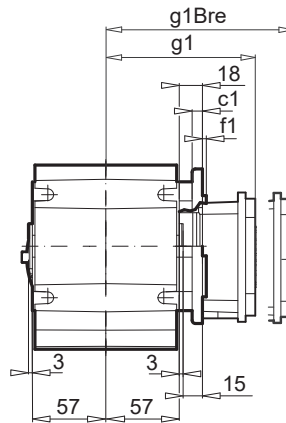
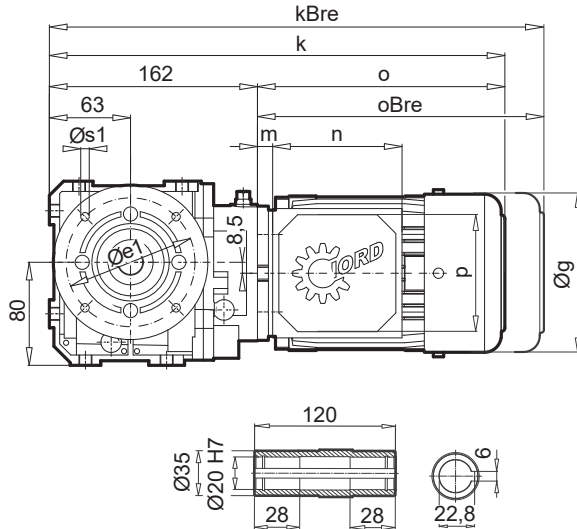
SK 02040.1 AXZ



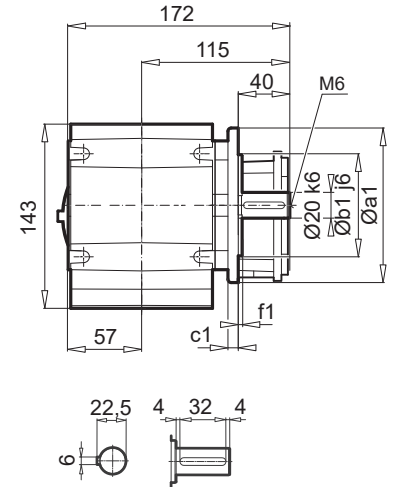
SK 02040.1 VXZ



SK 02040.1 AXF

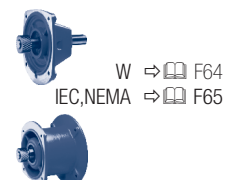


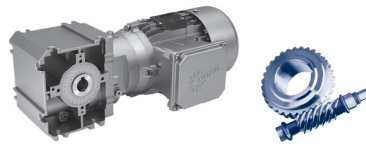
SK 02040.1 VXF



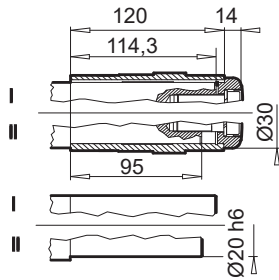
a1	b1	c1	e1	f1	s1
120	80	8	100	3,0	4 x 6,6
160	110	10	130	3,5	4 x 9,0

± ⇨ A60	63 SP/LP	71 SP/LP	80 SP/LP	90 SP
g	130	145	165	184
g1 / g1Bre	116 / 124	124 / 134	142 / 142	148 / 148
k / kBre	354 / 410	376 / 434	398 / 462	438 / 513
o / oBre	192 / 248	214 / 272	236 / 300	276 / 351
m / mBre	12 / 18	20 / 26	22 / 25	26 / 29
n / nBre	100 / 134	100 / 134	114 / 153	114 / 153
p / pBre	100 / 89	100 / 89	114 / 108	114 / 108
i	6,5	-1	-10	-20,5

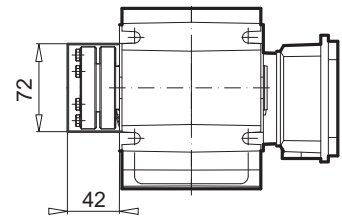
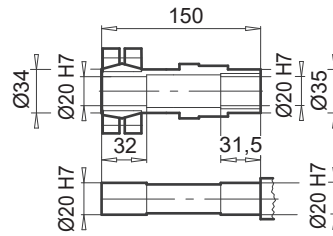




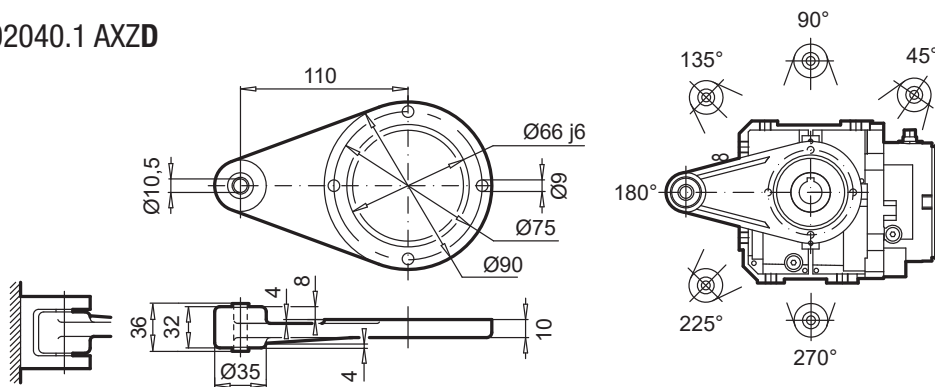
SK 02040.1 AXZB



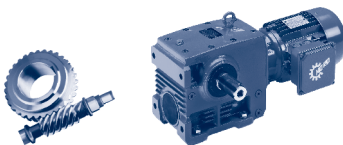
SK 02040.1 AXZSH (AXFSH)



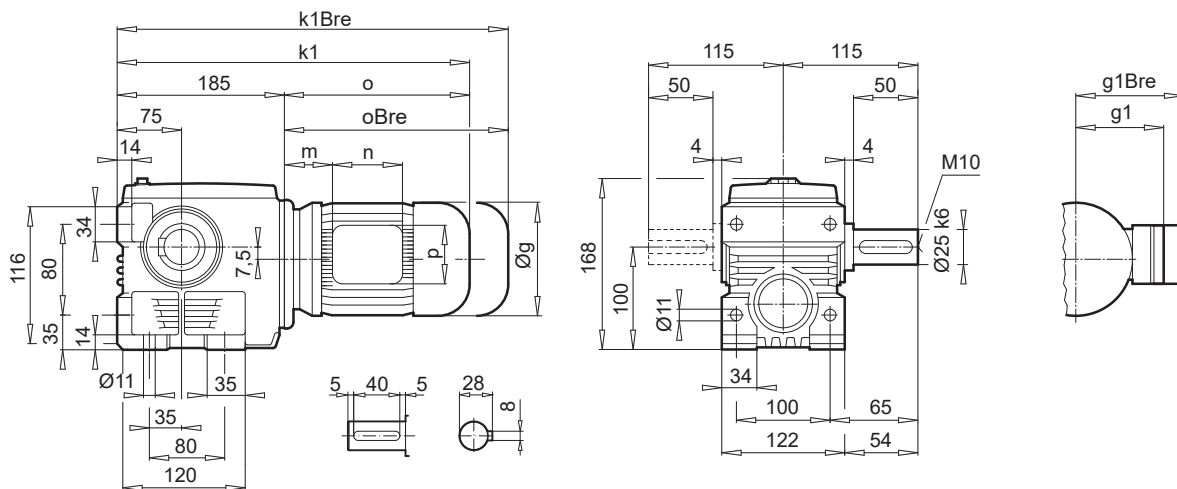
SK 02040.1 AXZD



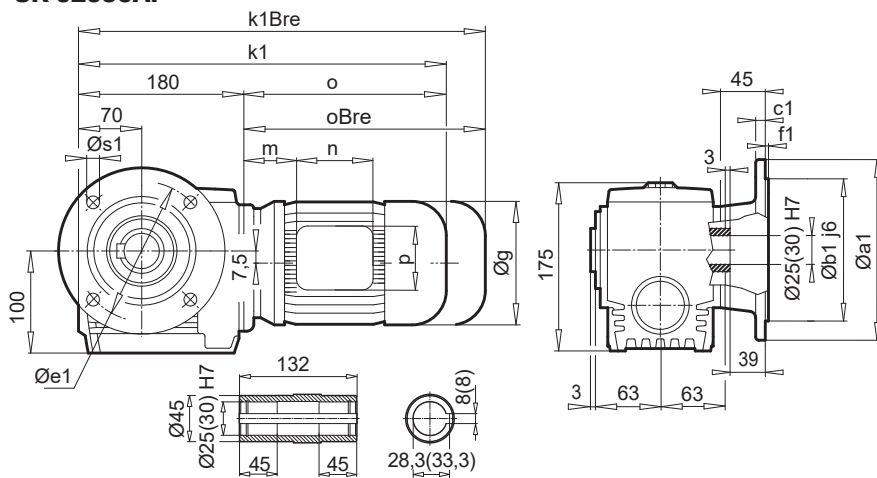
SK 02050



SK 02050

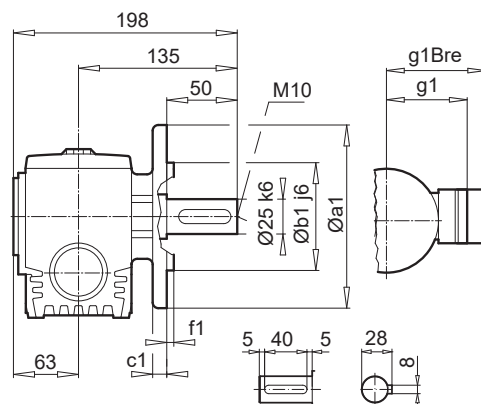


SK 02050AF



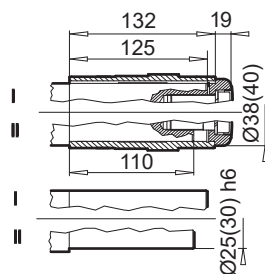
a1	b1	c1	e1	f1	s1
200	130	12	165	3,5	4 x 11

SK 02050VF



a1	b1	c1	e1	f1	s1
160	110	10	130	4,0	4 x 9

SK 02050AFB

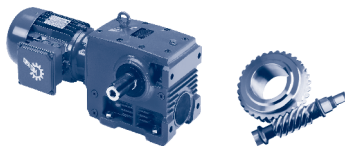


± ⇨ A60	63 SP/LP	71 SP/LP	80 SP/LP	90 SP/LP	100 LP
g	130	145	165	183	201
g1 / g1Bre	115 / 123	124 / 132	142 / 142	147 / 147	169 / 173
k / kBre	381 / 437	421 / 479	446 / 510	487 / 562	517 / 608
k1 / k1Bre	376 / 432	416 / 474	441 / 505	482 / 557	512 / 603
o / oBre	196 / 252	236 / 294	261 / 325	302 / 377	332 / 423
m / mBre	16 / 22	42 / 43	47 / 51	52 / 56	58 / 62
n / nBre	100 / 134	100 / 134	114 / 153	114 / 153	114 / 153
p / pBre	100 / 89	100 / 89	114 / 108	114 / 108	114 / 108

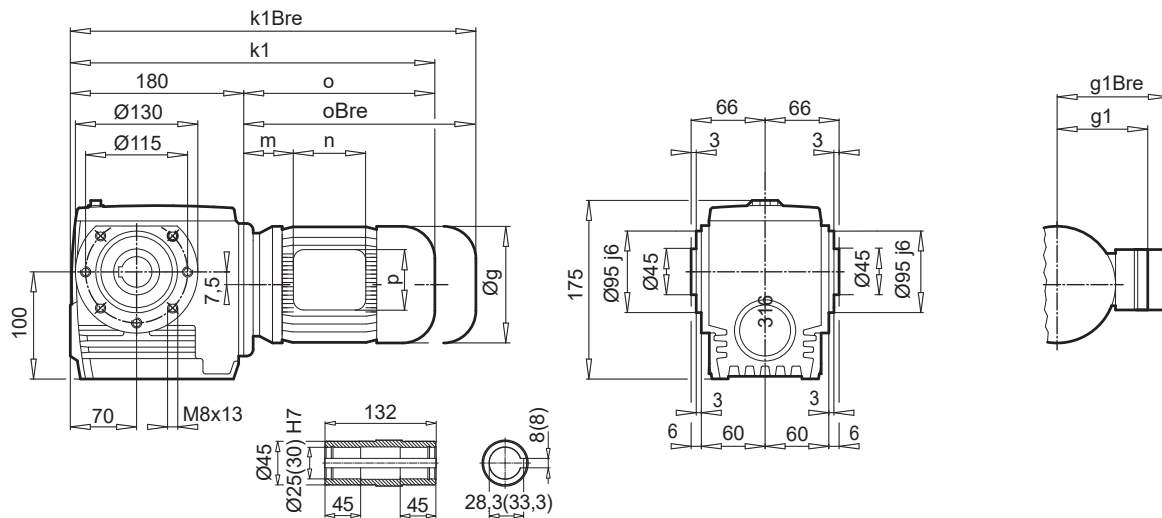


W ⇨ F66
IEC, NEMA ⇨ F67

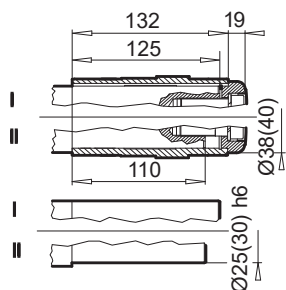




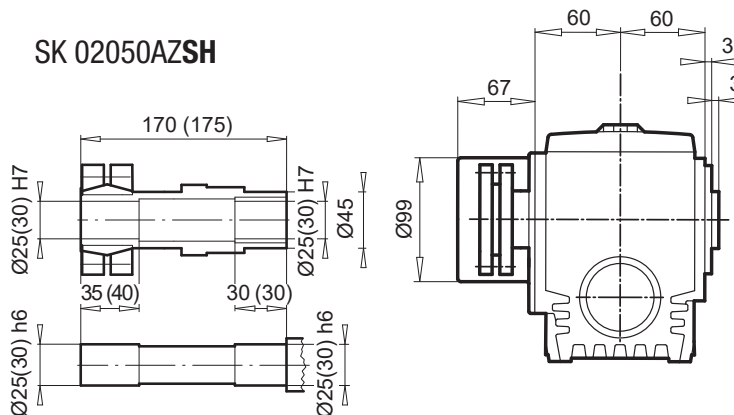
SK 02050AZ



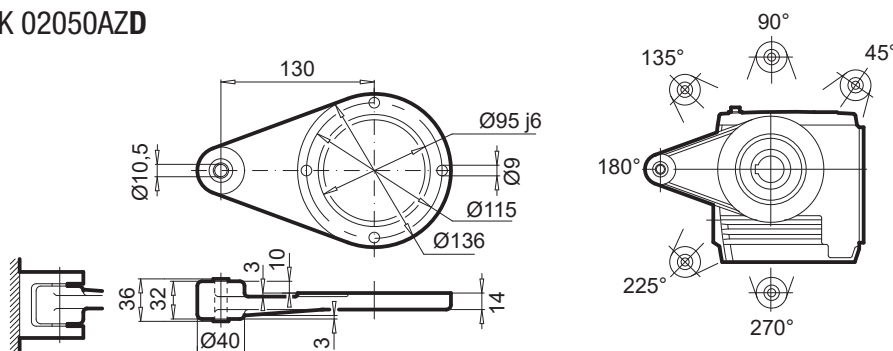
SK 02050AZB



SK 02050AZSH



SK 02050AZD

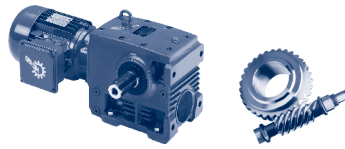


± ⇔ A60	63 SP/LP	71 SP/LP	80 SP/LP	90 SP/LP	100 LP
g	130	145	165	183	201
g1 / g1Bre	115 / 123	124 / 132	142 / 142	147 / 147	169 / 173
k1 / k1Bre	376 / 432	416 / 474	441 / 505	482 / 557	512 / 603
o / oBre	196 / 252	236 / 294	261 / 325	302 / 377	332 / 423
m / mBre	16 / 22	42 / 43	47 / 51	52 / 56	58 / 62
n / nBre	100 / 134	100 / 134	114 / 153	114 / 153	114 / 153
p / pBre	100 / 89	100 / 89	114 / 108	114 / 108	114 / 108

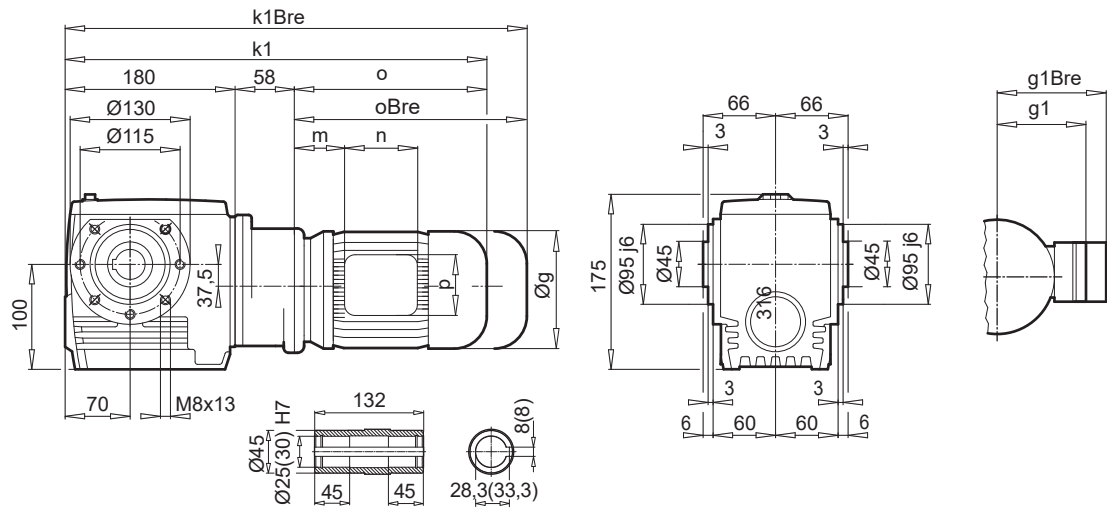


W ⇔ F66
IEC, NEMA ⇔ F67

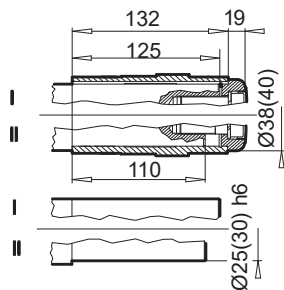




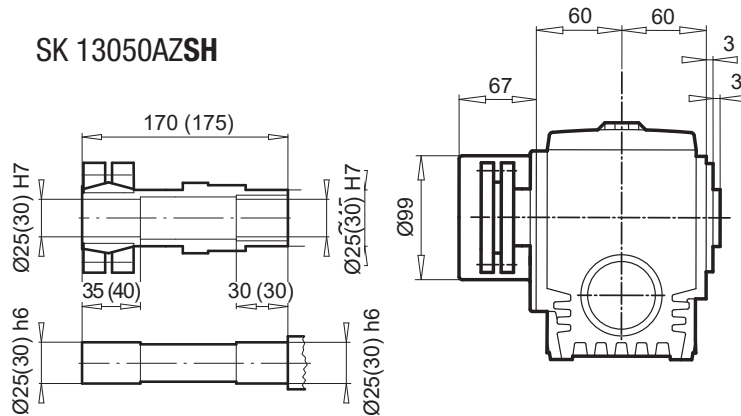
SK 13050AZ



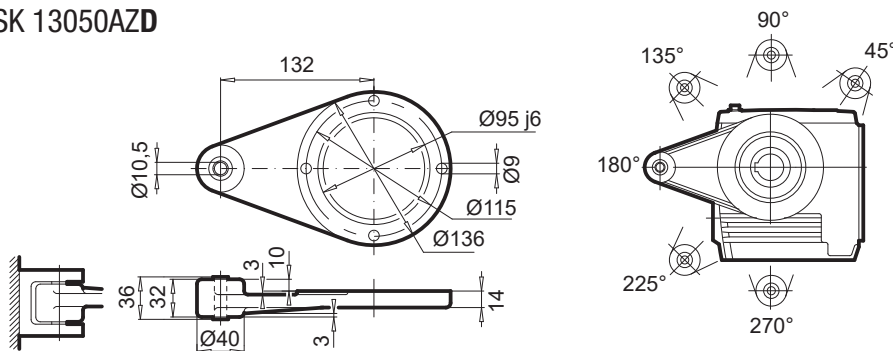
SK 13050AZB



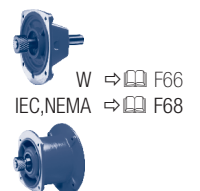
SK 13050AZSH

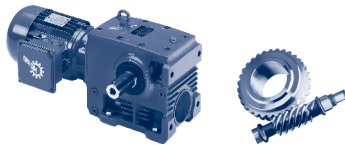


SK 13050AZD

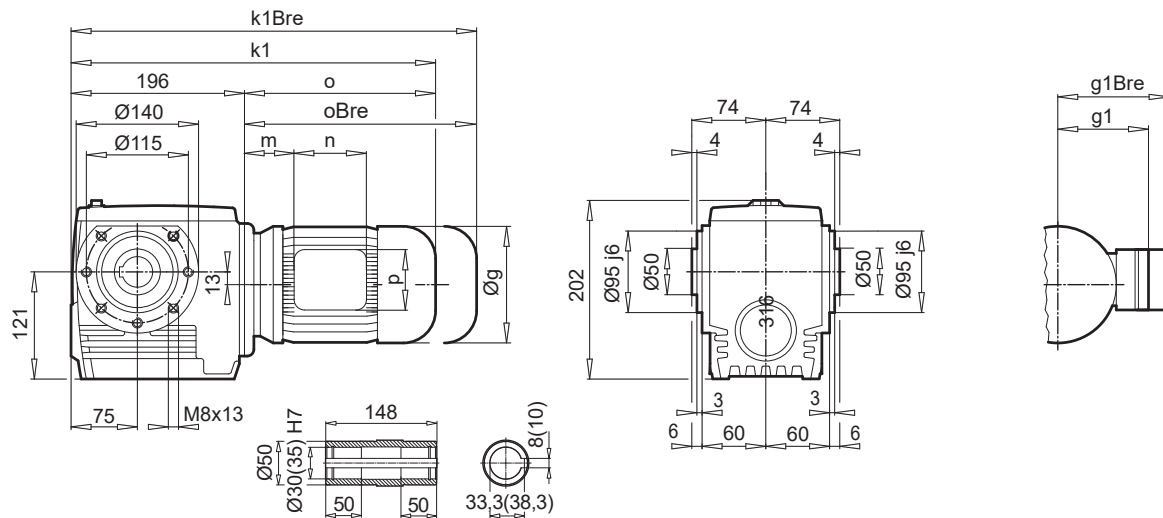


± ⇨ A60	63 SP/LP	71 SP/LP
g	130	145
g1 / g1Bre	115 / 123	124 / 132
k1 / k1Bre	434 / 490	474 / 532
o / oBre	192 / 248	236 / 294
m / mBre	16 / 22	42 / 43
n / nBre	100 / 134	100 / 134
p / pBre	100 / 89	100 / 89

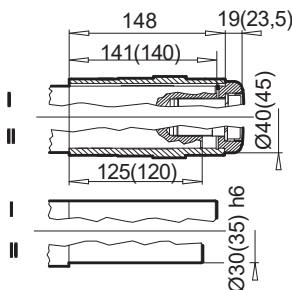




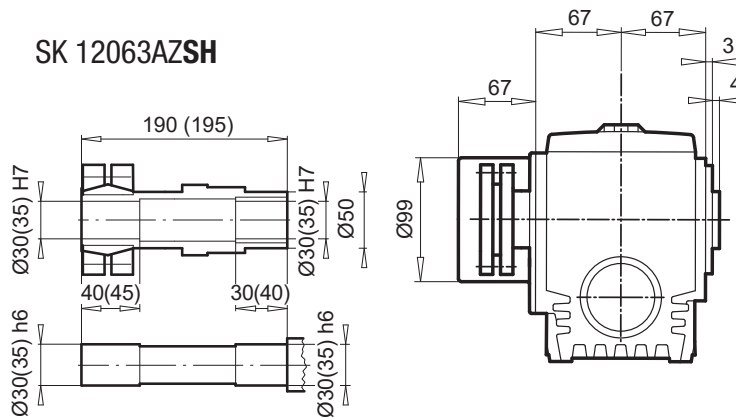
SK 12063AZ



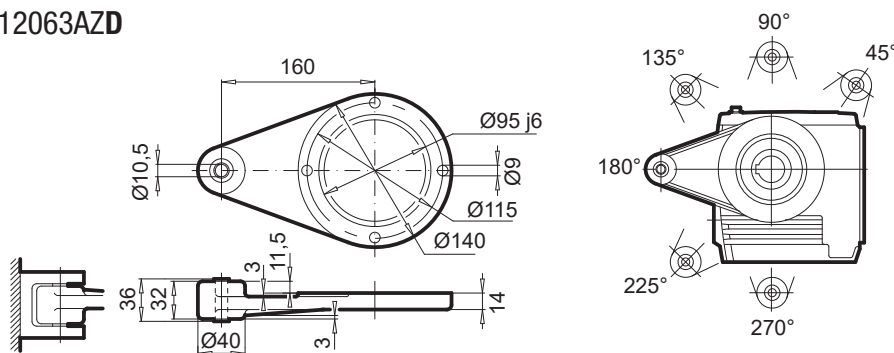
SK 12063AZB



SK 12063AZSH



SK 12063AZD



± ⇄ A60	63 SP/LP	71 SP/LP	80 SP/LP	90 SP/LP	100 LP
g	130	145	165	183	201
g1 / g1Bre	115 / 123	124 / 132	142 / 142	147 / 147	169 / 173
k1 / k1Bre	392 / 448	432 / 490	457 / 521	498 / 573	528 / 619
o / oBre	192 / 248	236 / 294	261 / 325	302 / 377	332 / 423
m / mBre	16 / 22	42 / 43	47 / 51	52 / 56	58 / 62
n / nBre	100 / 134	100 / 134	114 / 153	114 / 153	114 / 153
p / pBre	100 / 89	100 / 89	114 / 108	114 / 108	114 / 108

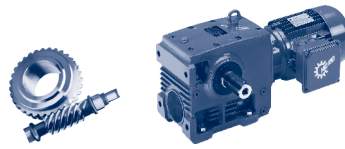


W ⇄ F66
IEC,NEMA ⇄ F67

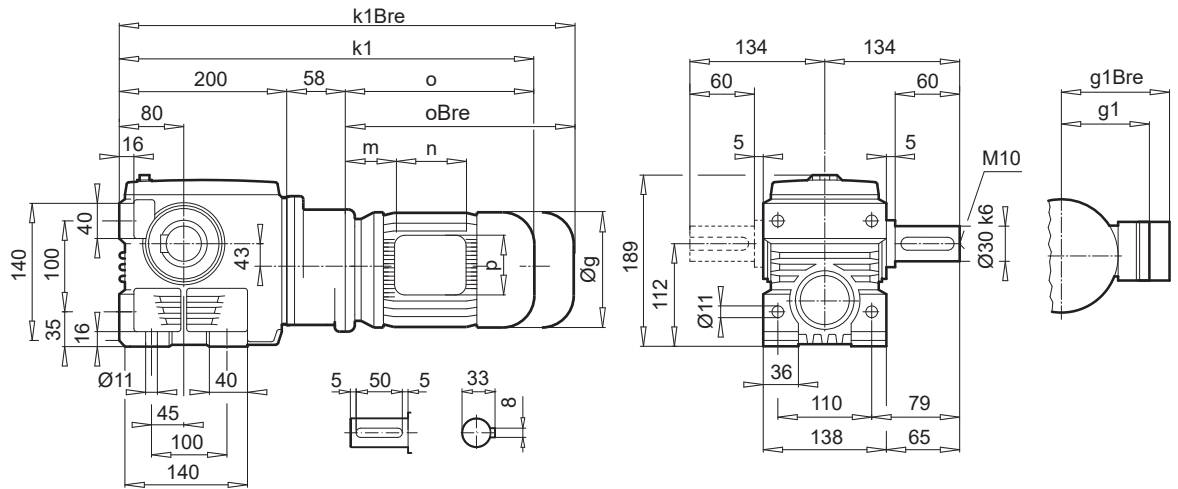


UNICASE™
Worm gear units

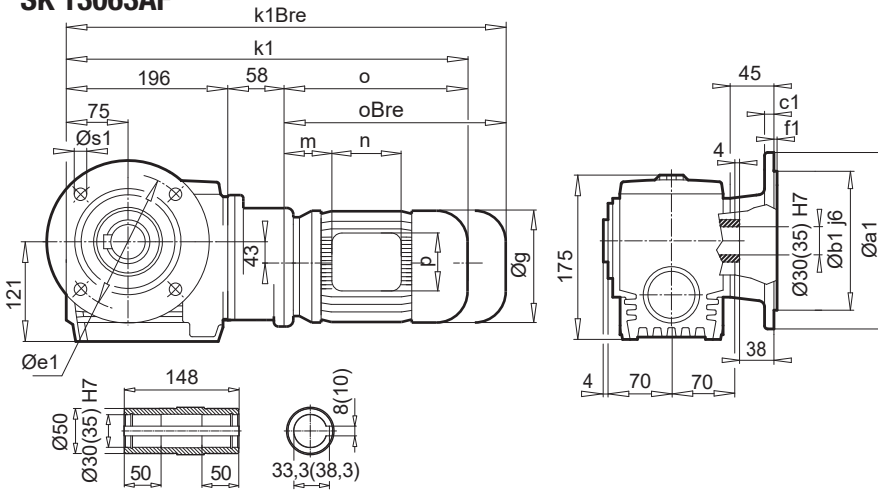
SK 13063



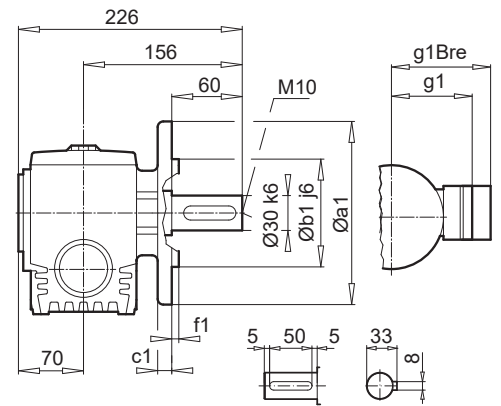
SK 13063



SK 13063AF



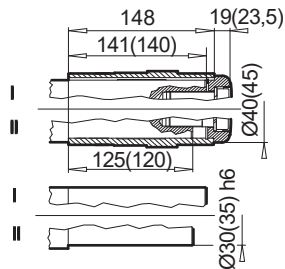
SK 13063VF



a1	b1	c1	e1	f1	s1
200	130	12	165	3,5	4 x 11

a1	b1	c1	e1	f1	s1
200	130	12	165	4,0	4 x 11

SK 13063AFB

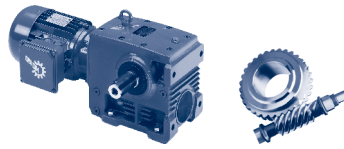


± ⇨ A60	63 SP/LP	71 SP/LP
g	130	145
g1 / g1Bre	115 / 123	124 / 132
k / kBre	454 / 510	494 / 552
k1 / k1Bre	450 / 506	490 / 548
o / oBre	192 / 248	236 / 294
m / mBre	16 / 22	42 / 43
n / nBre	100 / 134	100 / 134
p / pBre	100 / 89	100 / 89

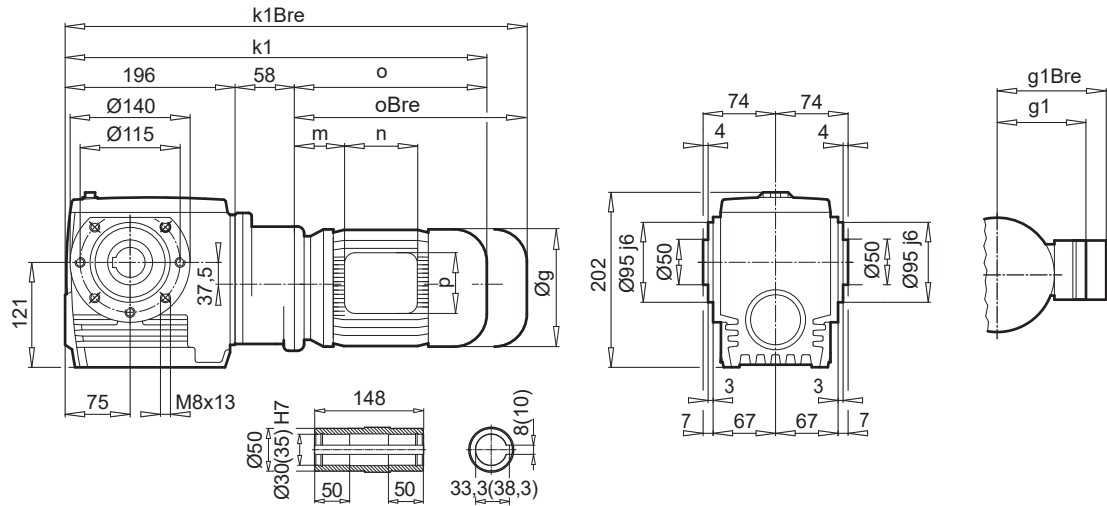


W ⇨ F66
IEC, NEMA ⇨ F68

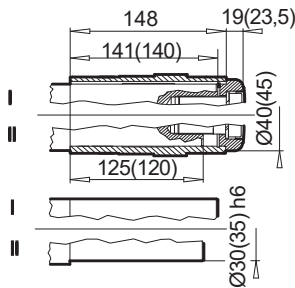




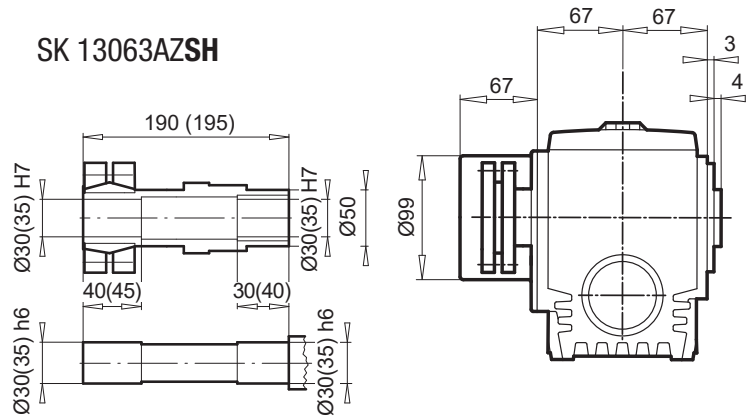
SK 13063AZ



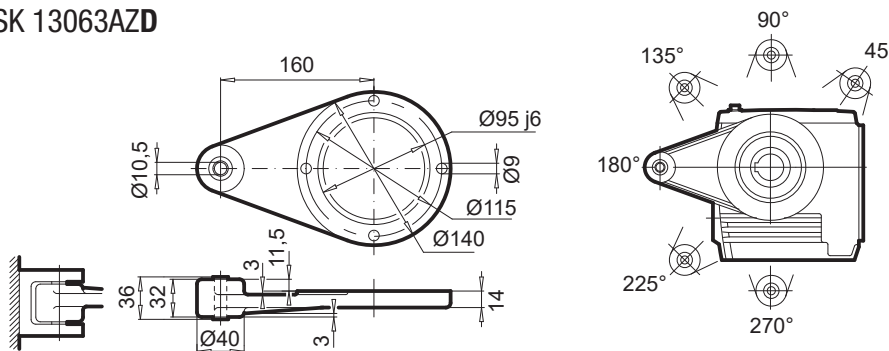
SK 13063AZB



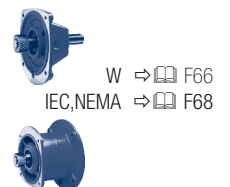
SK 13063AZSH



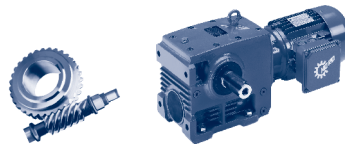
SK 13063AZD



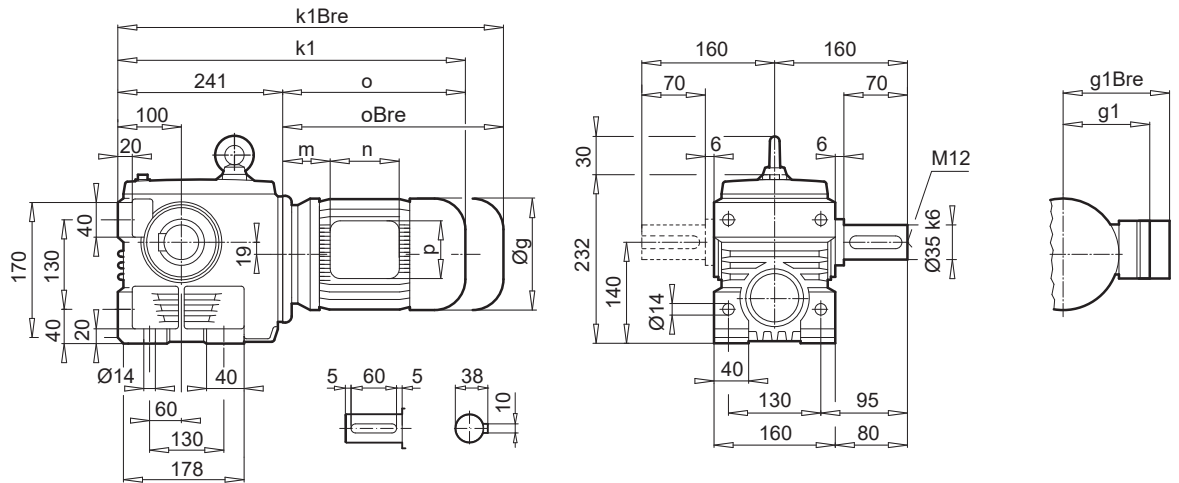
± ⇄ A60	63 SP/LP	71 SP/LP
g	130	145
g1 / g1Bre	115 / 123	124 / 132
k1 / k1Bre	450 / 506	490 / 552
o / oBre	192 / 248	236 / 294
m / mBre	16 / 22	42 / 43
n / nBre	100 / 134	100 / 134
p / pBre	100 / 89	100 / 89



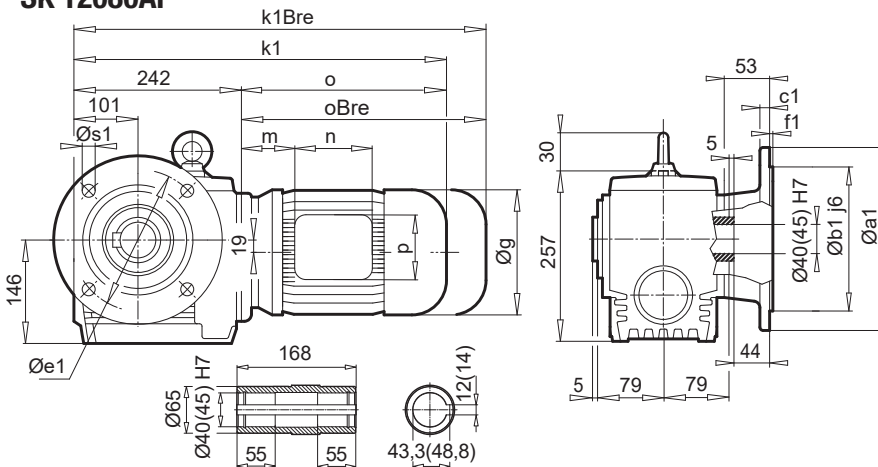
SK 12080



SK 12080

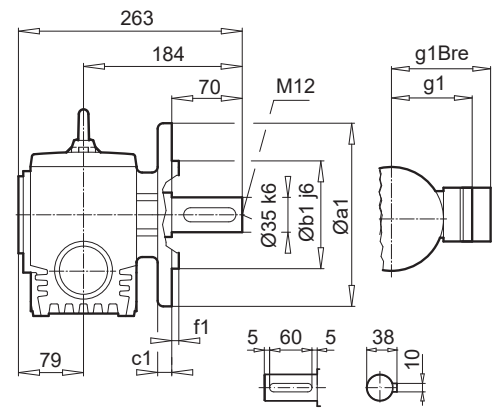


SK 12080AF



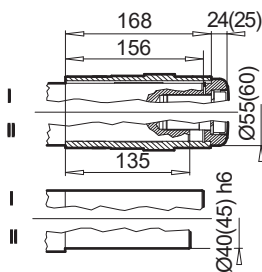
a1	b1	c1	e1	f1	s1
250	180	15	215	4,0	4 x 14
300	230	20	265	4,0	4 x 14

SK 12080VF



a1	b1	c1	e1	f1	s1
200	130	12	165	4,0	4 x 11

SK 12080AFB

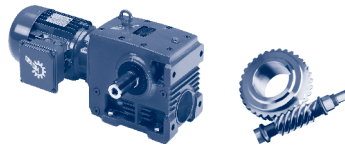


± ⇔ A60	63 SP/LP	71 SP/LP	80 SP/LP	90 SP/LP	100 LP	112 MP
g	130	145	165	183	201	228
g1 / g1Bre	115 / 123	124 / 132	142 / 142	147 / 147	169 / 173	179 / 182
k / kBre	437 / 493	477 / 535	502 / 566	543 / 618	573 / 664	621 / 714
k1 / k1Bre	438 / 494	478 / 536	503 / 567	544 / 619	574 / 665	622 / 715
o / oBre	192 / 248	236 / 294	261 / 325	302 / 377	332 / 423	380 / 473
m / mBre	16 / 22	42 / 43	47 / 51	52 / 56	58 / 62	74 / 78
n / nBre	100 / 134	100 / 134	114 / 153	114 / 153	114 / 153	114 / 153
p / pBre	100 / 89	100 / 89	114 / 108	114 / 108	114 / 108	114 / 108

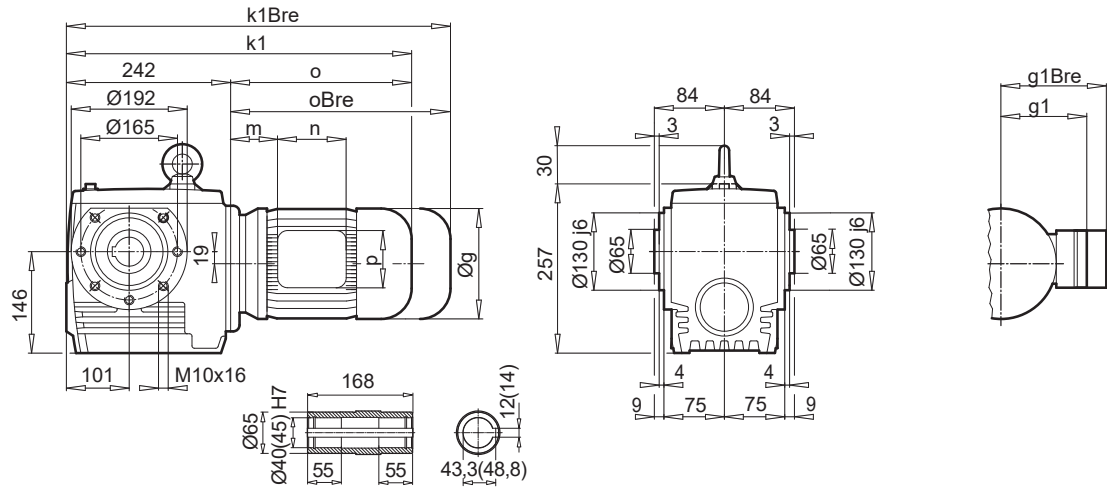


W ⇔ F66
IEC, NEMA ⇔ F67

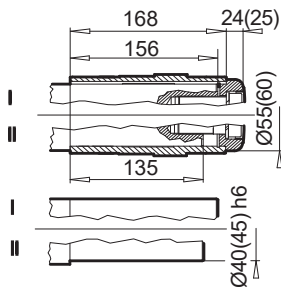




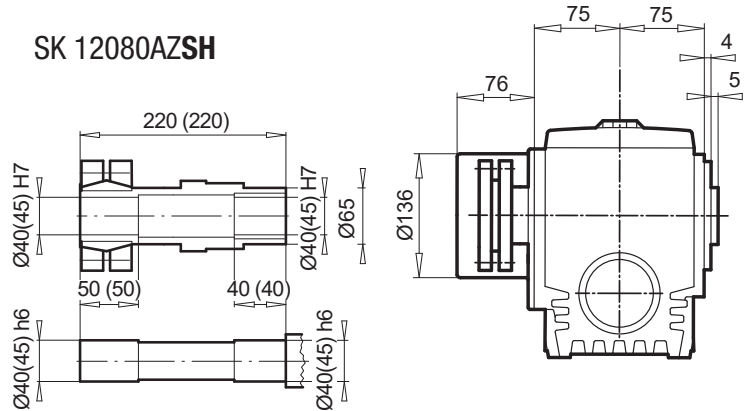
SK 12080AZ



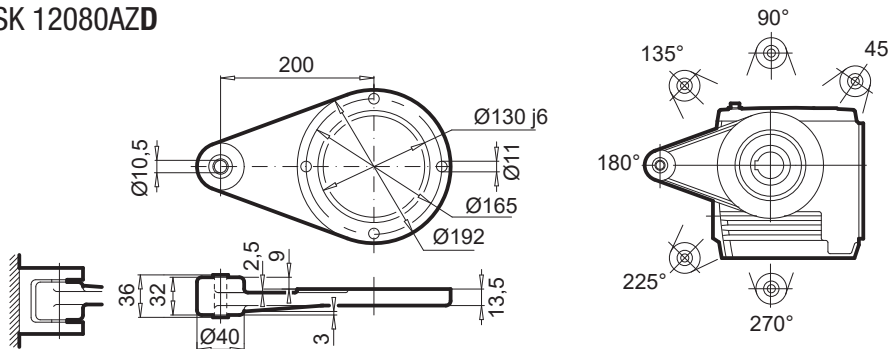
SK 12080AZB



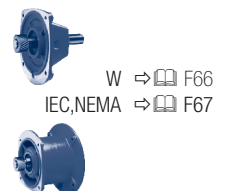
SK 12080AZSH



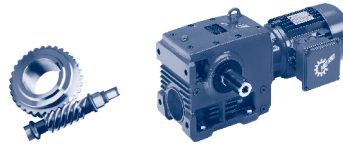
SK 12080AZD



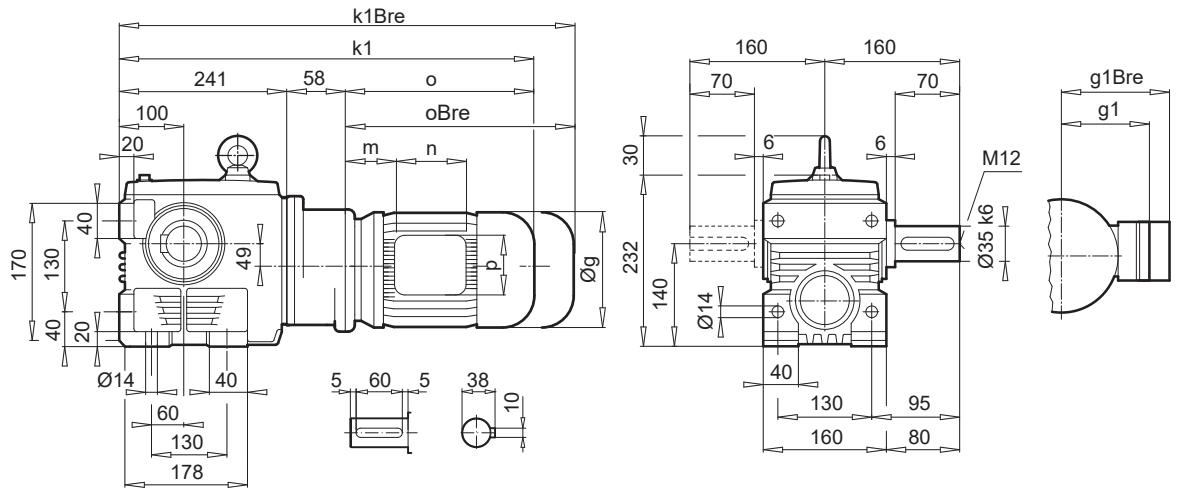
± ⇄ A60	63 SP/LP	71 SP/LP	80 SP/LP	90 SP/LP	100 LP	112 MP
g	130	145	165	183	201	228
g1 / g1Bre	115 / 123	124 / 132	142 / 142	147 / 147	169 / 173	179 / 182
k1 / k1Bre	438 / 494	478 / 536	503 / 567	544 / 619	574 / 665	622 / 715
o / oBre	192 / 248	236 / 294	261 / 325	302 / 377	332 / 423	380 / 473
m / mBre	16 / 22	42 / 43	47 / 51	52 / 56	58 / 62	74 / 78
n / nBre	100 / 134	100 / 134	114 / 153	114 / 153	114 / 153	114 / 153
p / pBre	100 / 89	100 / 89	114 / 108	114 / 108	114 / 108	114 / 108



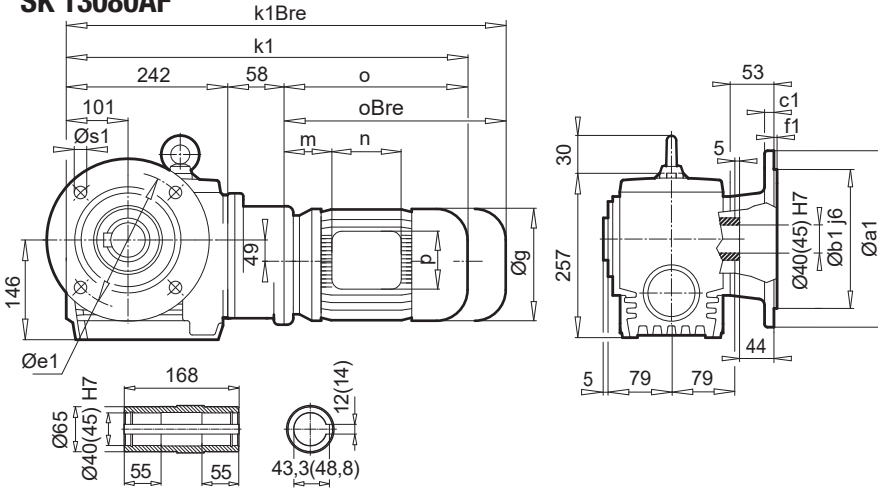
SK 13080



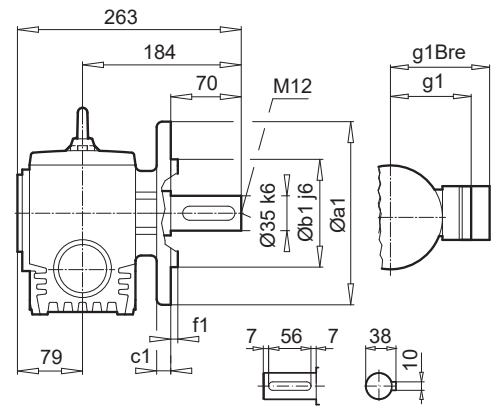
SK 13080



SK 13080AF



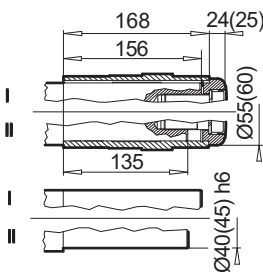
SK 13080VF



a1	b1	c1	e1	f1	s1
250	180	15	215	4,0	4 x 14
300	230	20	265	4,0	4 x 14

a1	b1	c1	e1	f1	s1
200	130	12	165	4,0	4 x 11

SK 13080AFB

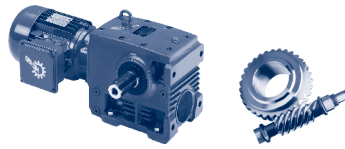


± ⇨ A60	63 SP/LP	71 SP/LP
g	130	145
g1 / g1Bre	115 / 123	124 / 132
k / kBre	495 / 551	535 / 593
k1 / k1Bre	496 / 552	536 / 594
o / oBre	192 / 248	236 / 294
m / mBre	16 / 22	42 / 43
n / nBre	100 / 134	100 / 134
p / pBre	100 / 89	100 / 89

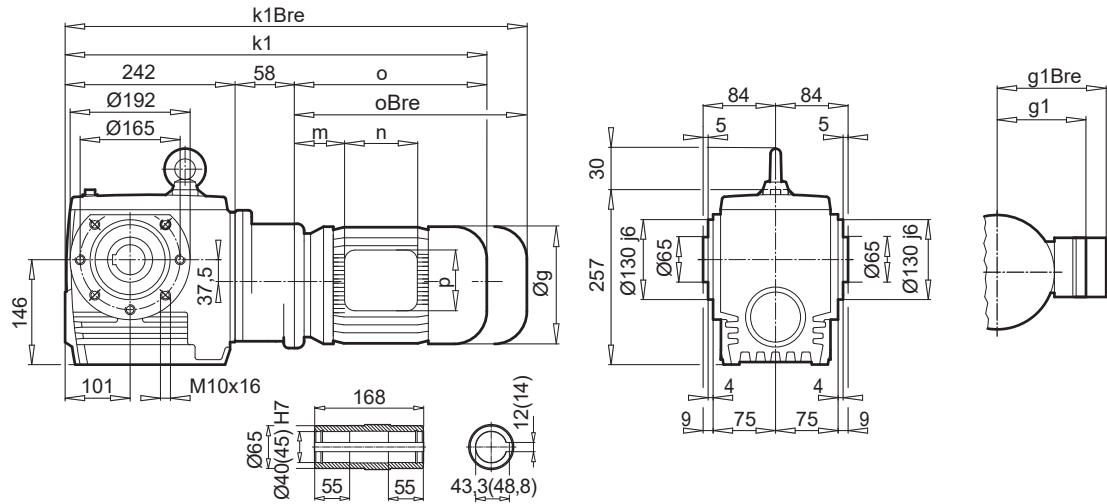


W ⇨ F66
IEC, NEMA ⇨ F68

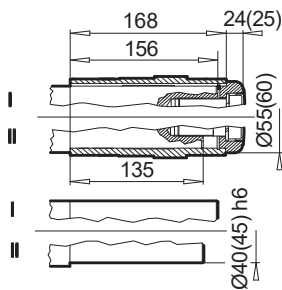




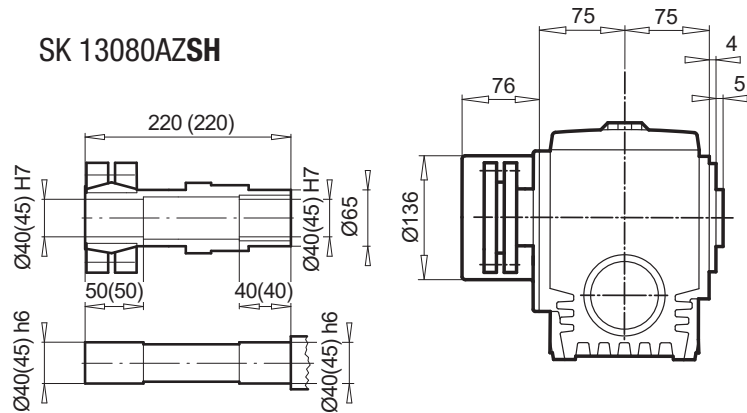
SK 13080AZ



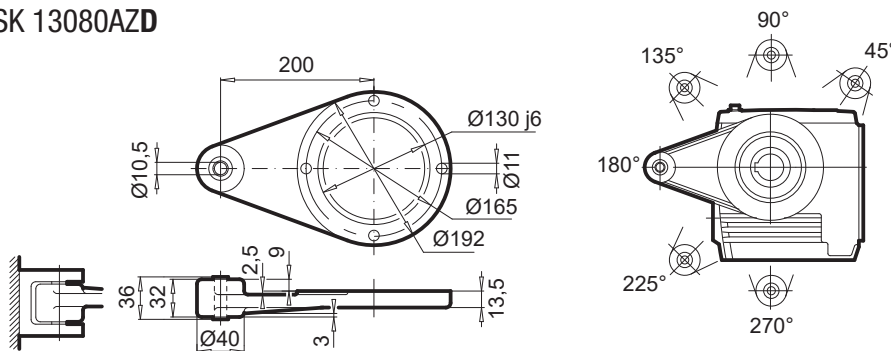
SK 13080AZB



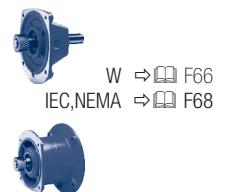
SK 13080AZSH



SK 13080AZD

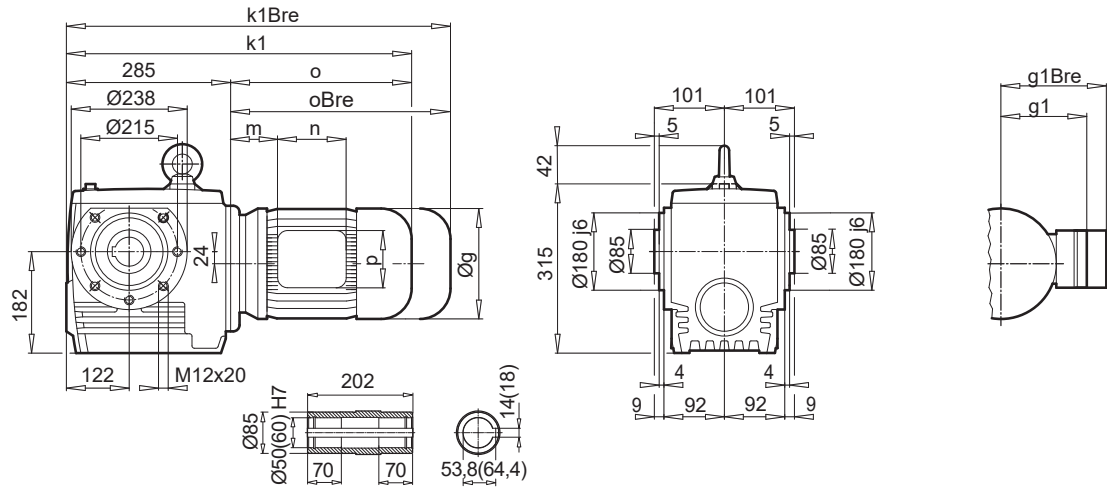


± ⇨ A60	63 SP/LP	71 SP/LP
g	130	145
g1 / g1Bre	115 / 123	124 / 132
k1 / k1Bre	496 / 552	536 / 594
o / oBre	192 / 248	236 / 294
m / mBre	16 / 22	42 / 43
n / nBre	100 / 134	100 / 134
p / pBre	100 / 89	100 / 89

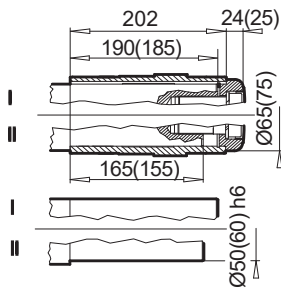




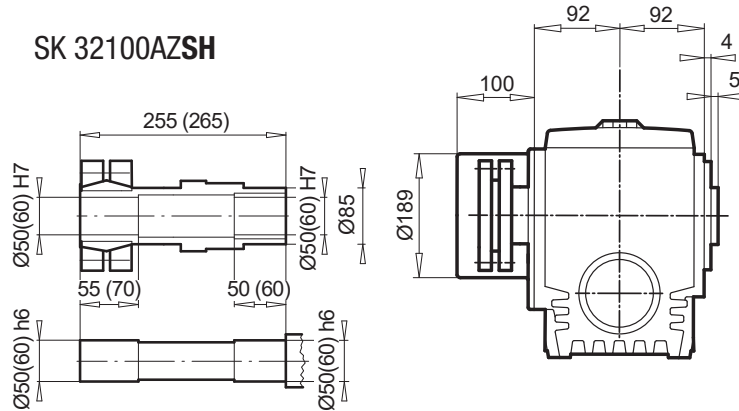
SK 32100AZ



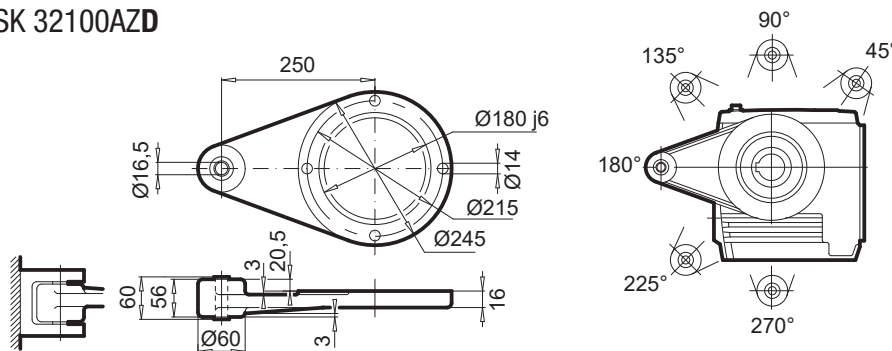
SK 32100AZB



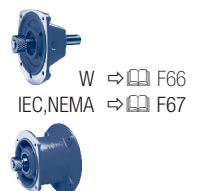
SK 32100AZSH



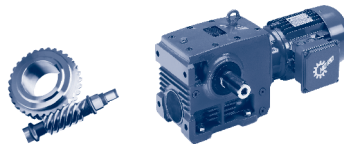
SK 32100AZD



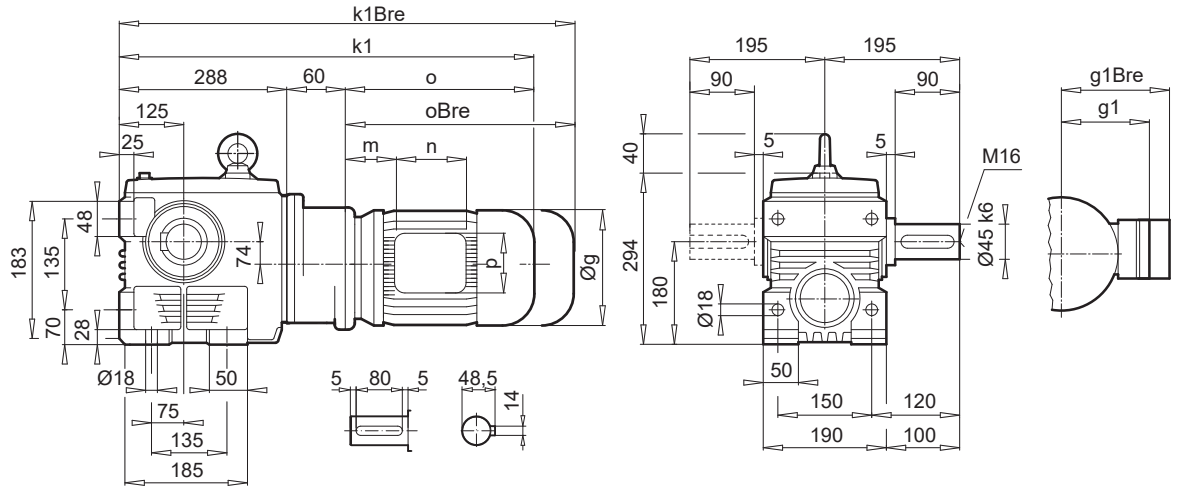
± ⇨ A60	71 SP/LP	80 SP/LP	90 SP/LP	100 LP/AP	112 MP	132 SP/MP
g	145	165	183	201	228	266
g1 / g1Bre	124 / 132	142 / 142	147 / 147	169 / 173	179 / 182	204 / 201
k1 / k1Bre	515 / 573	540 / 604	581 / 656	611 / 702	659 / 752	723 / 830
o / oBre	230 / 288	255 / 319	296 / 371	326 / 417	374 / 467	435 / 542
m / mBre	36 / 42	41 / 45	46 / 50	52 / 56	68 / 72	71 / 51
n / nBre	100 / 134	114 / 153	114 / 153	114 / 153	114 / 153	122 / 185
p / pBre	100 / 89	114 / 108	114 / 108	114 / 108	114 / 108	122 / 139



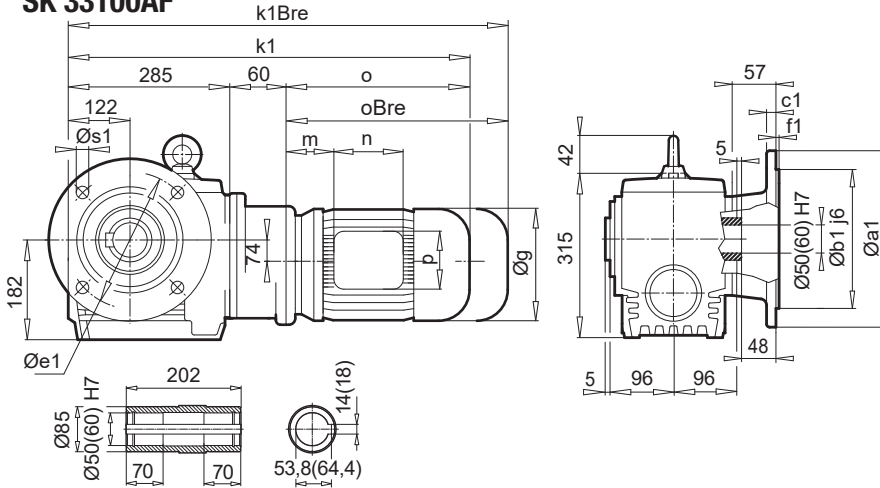
SK 33100



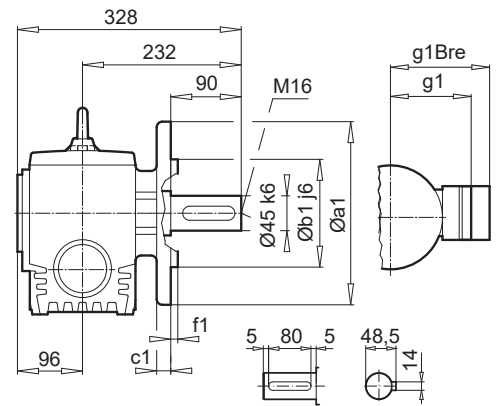
SK 33100



SK 33100AF



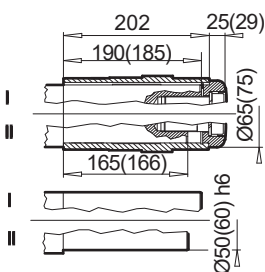
SK 33100VF



a1	b1	c1	e1	f1	s1
350	250	20	300	5,0	4 x 18

a1	b1	c1	e1	f1	s1
250	180	16	215	4,0	4 x 14

SK 33100AFB



± ⇨ A60	63 SP/LP	71 SP/LP	80 SP/LP	90 SP/LP
g	130	145	165	183
g1 / g1Bre	115 / 123	124 / 132	142 / 142	147 / 147
k / kBre	545 / 601	585 / 643	610 / 674	651 / 726
k1 / k1Bre	542 / 598	582 / 640	607 / 671	648 / 723
o / oBre	192 / 248	236 / 294	261 / 325	302 / 377
m / mBre	16 / 22	42 / 43	47 / 51	52 / 56
n / nBre	100 / 134	100 / 134	114 / 153	114 / 153
p / pBre	100 / 89	100 / 89	114 / 108	114 / 108

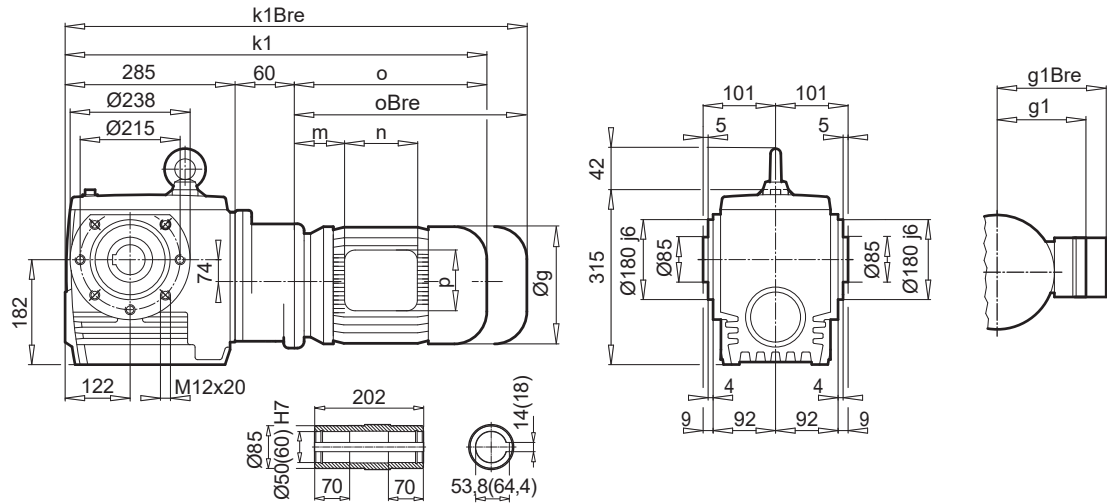


W ⇨ F66
IEC, NEMA ⇨ F68

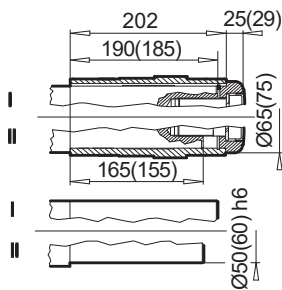




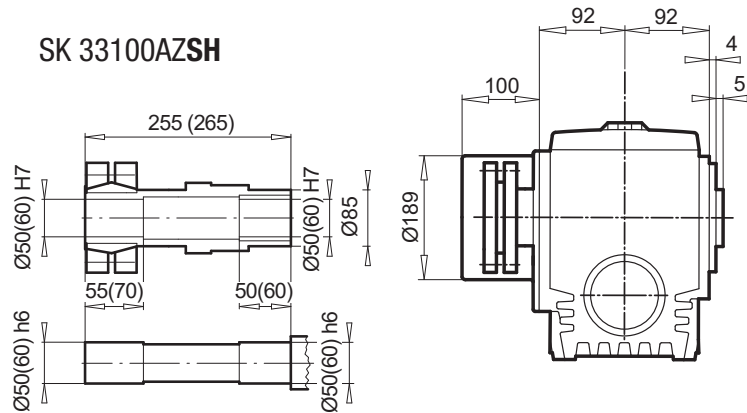
SK 33100AZ



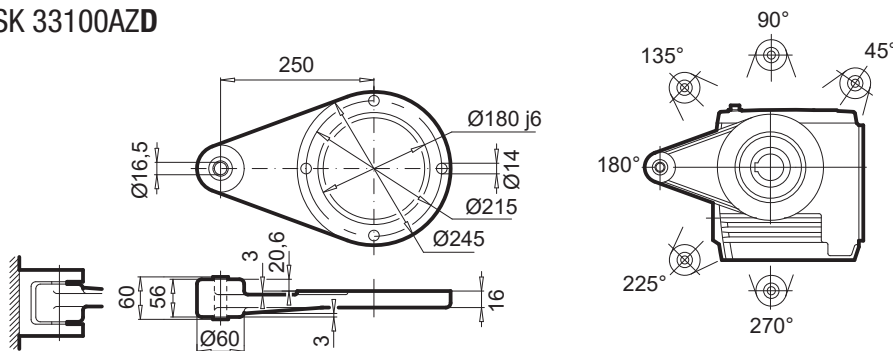
SK 33100AZB



SK 33100AZSH

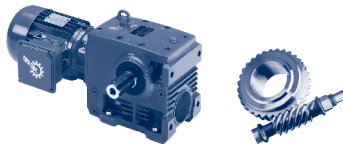


SK 33100AZD

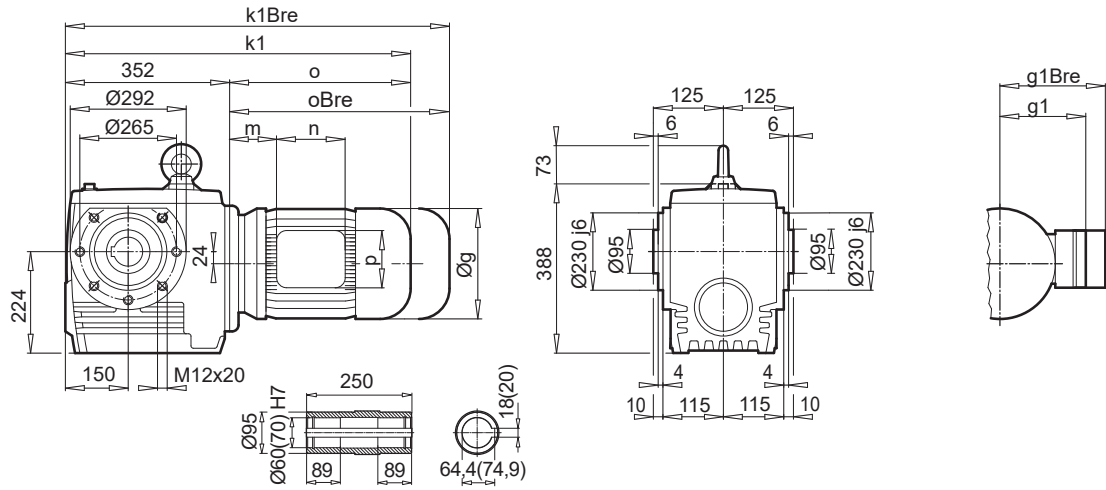


$\pm \rightarrow$ A60	63 SP/LP	71 SP/LP	80 SP/LP	90 SP/LP
g	130	145	165	183
g1 / g1Bre	115 / 123	124 / 132	142 / 142	147 / 147
k1 / k1Bre	542 / 598	582 / 640	607 / 671	648 / 723
o / oBre	192 / 248	236 / 294	261 / 325	302 / 377
m / mBre	16 / 22	42 / 43	47 / 51	52 / 56
n / nBre	100 / 134	100 / 134	114 / 153	114 / 153
p / pBre	100 / 89	100 / 89	114 / 108	114 / 108

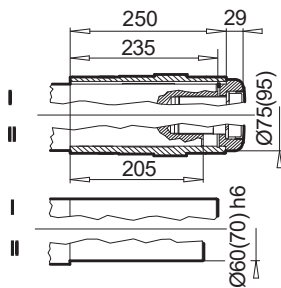




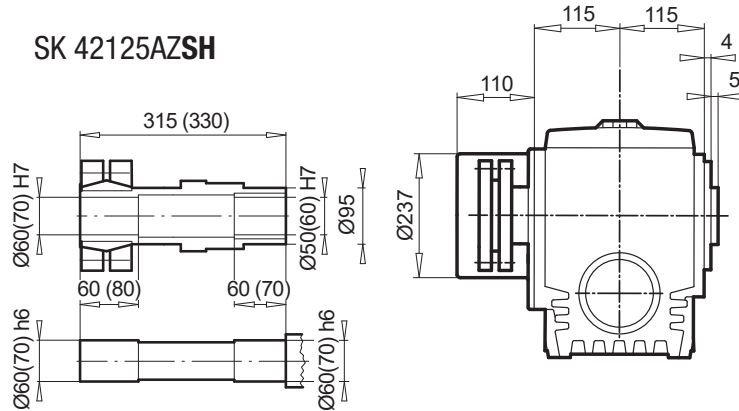
SK 42125AZ



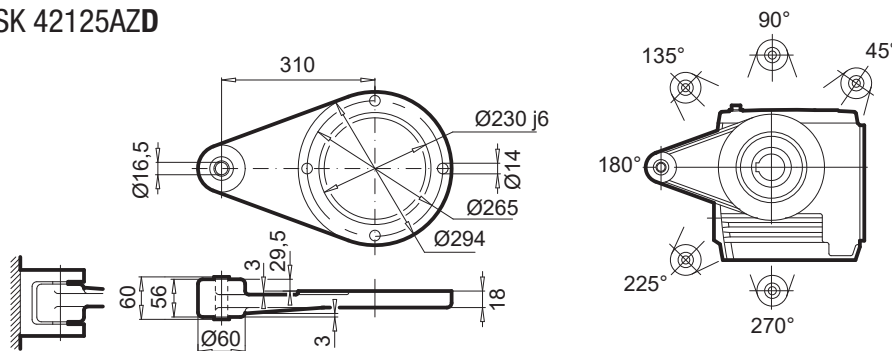
SK 42125AZB



SK 42125AZSH

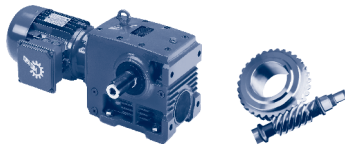


SK 42125AZD

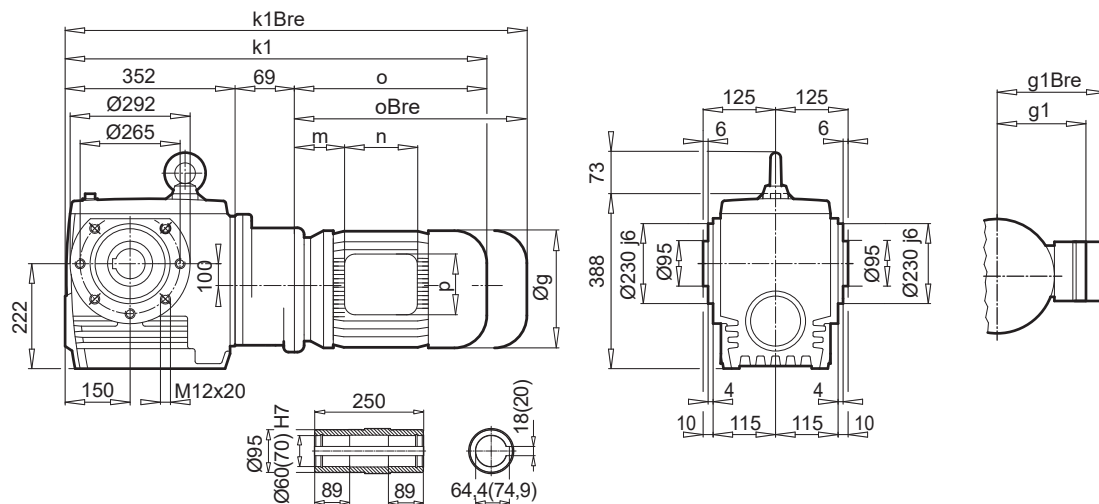


$\pm \rightarrow$ A60	90 SP/LP	100 LP/AP	112 MP	132 SP/MP	160 SP/MP	160 LP
g	183	201	228	266	320	320
g1 / g1Bre	147 / 147	169 / 173	179 / 182	204 / 201	242 / 242	242 / 242
k / kBre	628 / 703	658 / 749	706 / 799	767 / 874	844 / 979	888 / 1023
o / oBre	276 / 351	306 / 397	354 / 447	415 / 522	492 / 627	536 / 671
m / mBre	26 / 30	32 / 36	48 / 52	51 / 44	52 / 52	52 / 52
n / nBre	114 / 153	114 / 153	114 / 153	122 / 185	186 / 186	186 / 186
p / pBre	114 / 108	114 / 108	114 / 108	122 / 139	186 / 186	186 / 186

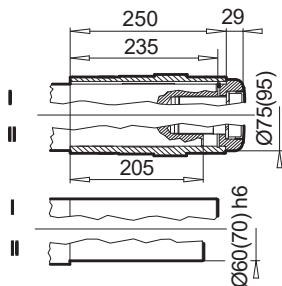




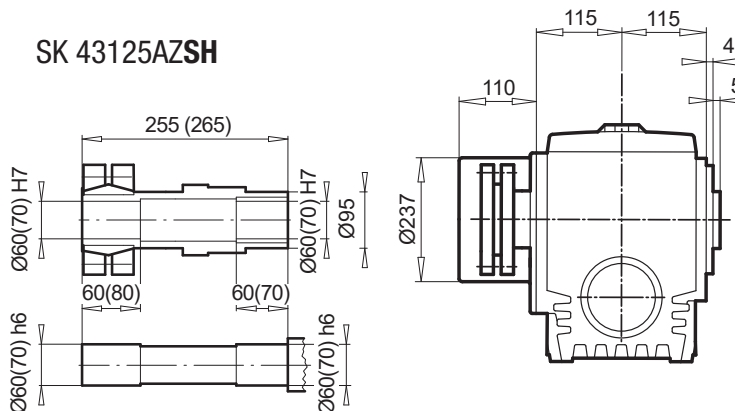
SK 43125AZ



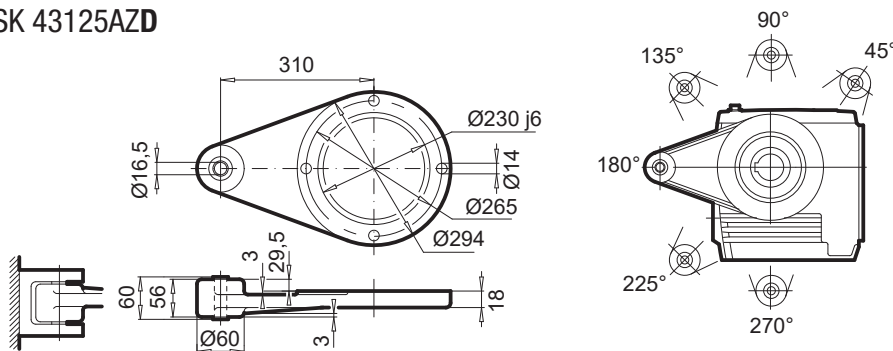
SK 43125AZB



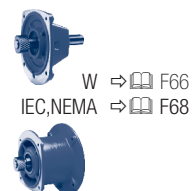
SK 43125AZSH



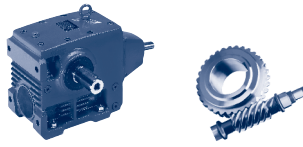
SK 43125AZD



± ⇨ A60	71 SP/LP	80 SP/LP	90 SP/LP	100 LP/AP	112 MP
g	145	165	183	201	228
g1 / g1Bre	124 / 132	142 / 142	147 / 147	169 / 173	179 / 182
k / kBre	652 / 710	677 / 741	718 / 793	748 / 839	796 / 889
o / oBre	230 / 288	255 / 319	296 / 371	326 / 417	374 / 467
m / mBre	36 / 42	41 / 45	46 / 50	52 / 56	68 / 72
n / nBre	100 / 134	114 / 153	114 / 153	114 / 153	114 / 153
p / pBre	100 / 89	114 / 108	114 / 108	114 / 108	114 / 108

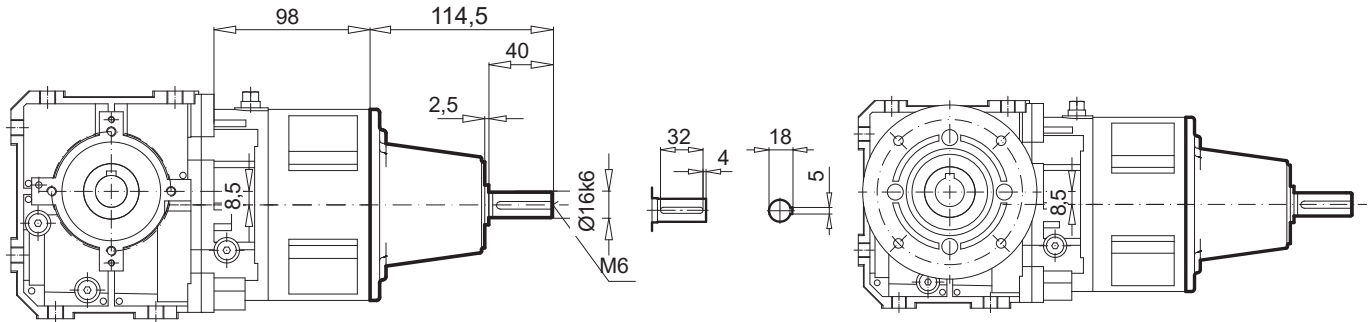


W

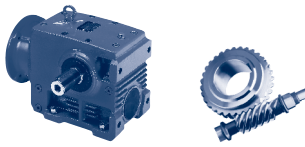


SK 02040.1 VXZ (AXZ) - W

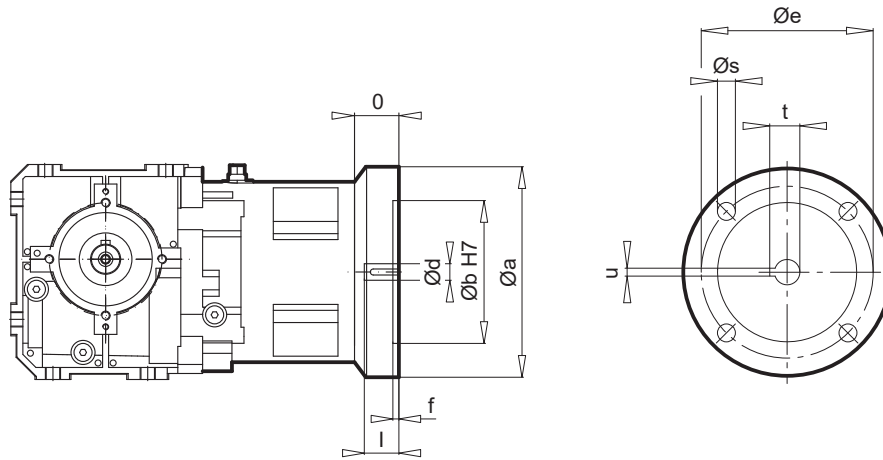
SK 02040.1 VXF (AXF) - W



Type	↔ 📖
SK 02040.1	F42-43



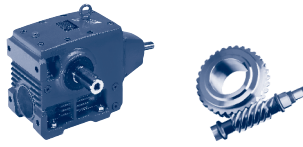
SK 02040.1 VXZ (AXZ) - IEC 63 ... 90



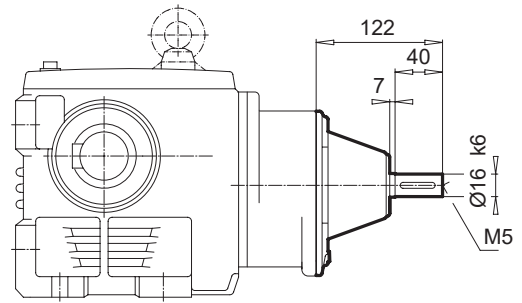
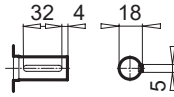
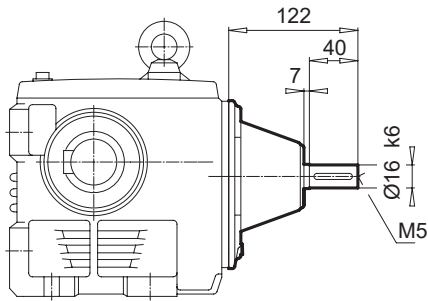
IEC	Ø a	Ø b	Ø e	f	Ø s	o	Ø d	l	t	u
63 - C90	90	60	75	4	5,5	32,5				
63 - C120	120	80	100	4	6,6	32,5	11	23	12,8	4
63 - A140	140	95	115	4	9	32,5				
71 - C105	105	70	85	4	7	32,5				
71 - C140	140	95	115	4	9	32,5	14	30	16,3	5
71 - A160	160	110	130	4	9	32,5				
80 - C120	120	80	100	4	6,6	32,5				
80 - C160	160	110	130	4	9	32,5	19	40	21,8	6
80 - A200	200	130	165	4	M10	32,5				
90 - C140	140	95	115	4	9	45,5				
90 - C160	160	110	130	4	9	45,5	24	50	27,3	8
90 - A200	200	130	165	4	M10	45,5				

SK 02040.1 VXZ (AXZ) - NEMA

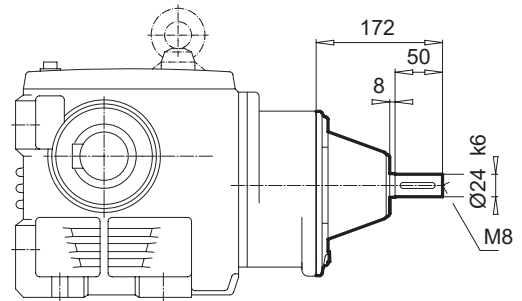
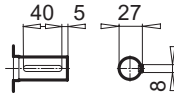
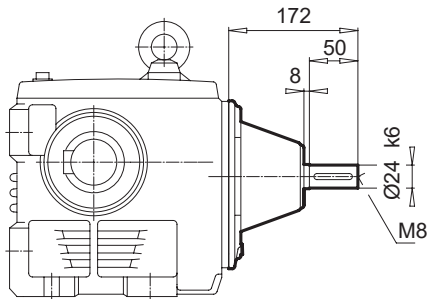
NEMA	Ø a	Ø b	Ø e	f	Ø s	o	Ø d	l	t	u
N56C	166	114,3	149,2	4,5	M6	37	15,9	52,3	18,0	5,0
N140TC	166	114,3	149,2	4,5	M6	49	22,2	53,8	24,4	5,0



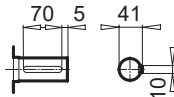
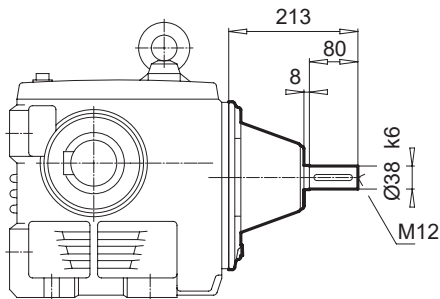
SK ... - W



Type	↔	📖
SK 02050	F44-45	
SK 13050	F46-47	
SK 12063	F48-49	
SK 13063	F50-51	
SK 12080	F52-53	
SK 13080	F54-55	
SK 33100	F58-59	

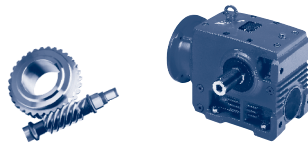


Type	↔	📖
SK 32100	F56-57	
SK 43125	F62-63	



Type	↔	📖
SK 42125	F60-61	

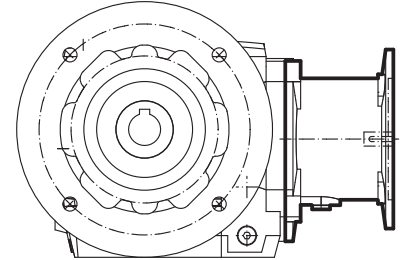
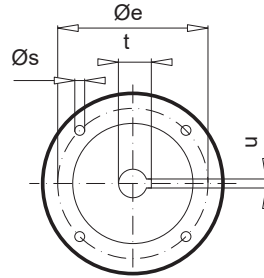
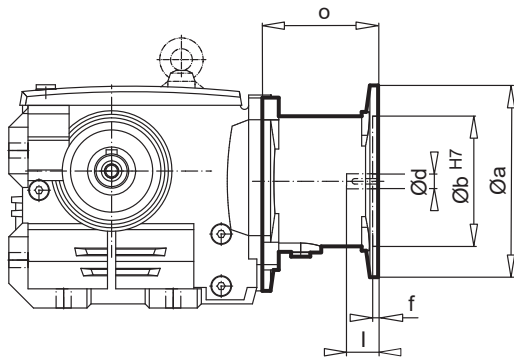
UNICASE™
Worm gear units



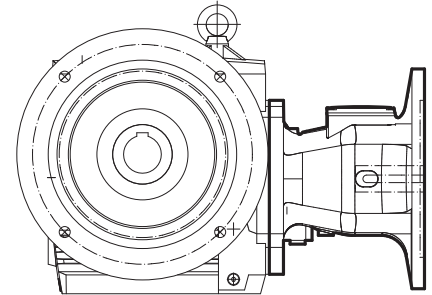
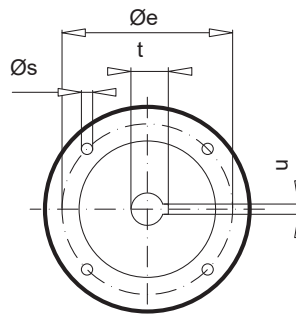
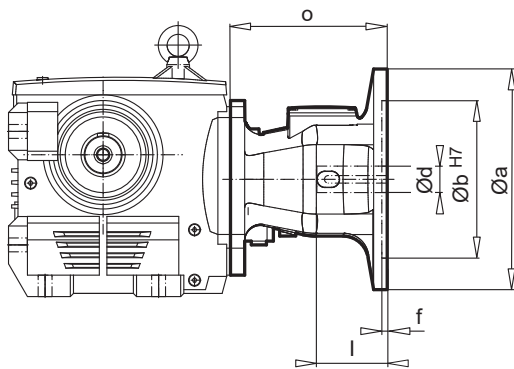
SK 02050 (AF) - IEC 63 ... 90
SK 12063 (AF) - IEC 63 ... 100

SK 12080 (AF) - IEC 63 ... 112
SK 32100 (AF) - IEC 71 ... 132

SK 42125 (AF) - IEC 90 ... 132



SK 42125 (AF) - AI 160

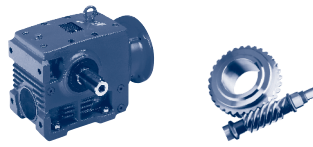


IEC	Ø a	Ø b	Ø d	Ø e	f	l	o	s	t	u
IEC 63	140	95	11	115	4,0	23	84,5	M8	12,8	4
IEC 71	160	110	14	130	4,5	30	88,5	M8	16,3	5
IEC 80	200	130	19	165	4,5	40	106	M10	21,8	6
IEC 90	200	130	24	165	4,5	50	106	M10	27,3	8
IEC 100	250	180	28	215	5,0	60	125	M12	31,3	8
IEC 112	250	180	28	215	5,0	60	125	M12	31,3	8
IEC 132	300	230	38	265	5,0	80	156	M12	41,3	10
AI 160	350	250	42	300	7,0	110	247	M16	45,3	12

SK 02050 (AF) - NEMA N56C, N140TC
SK 12063 (AF) - NEMA N56C ... N180TC
SK 42125 (AF) - NEMA N56C ... AN250TC

SK 12080 (AF) - NEMA N56C ... N180TC
SK 32100 (AF) - NEMA N56C ... 180TC

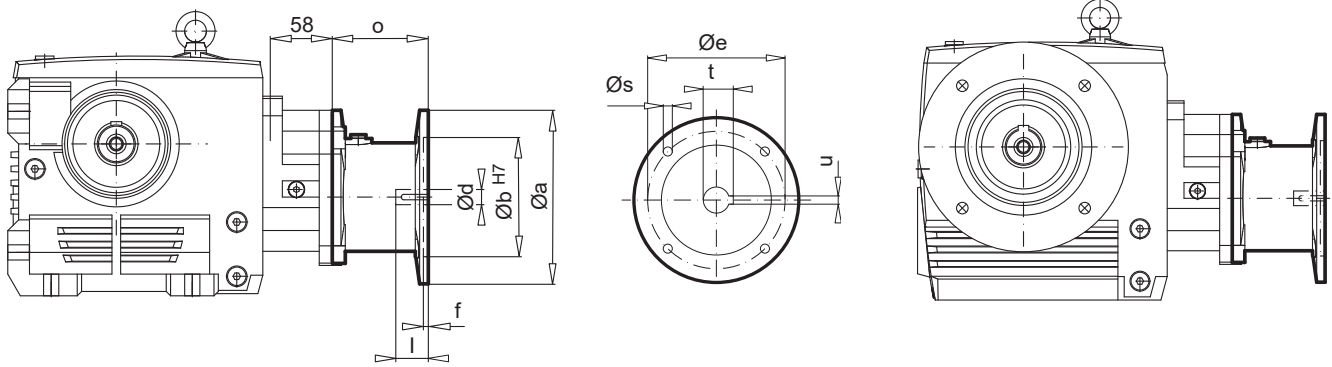
NEMA	Ø a	Ø b	Ø d	Ø e	f	l	o	s	t	u
N56C	166	114,3	15,9	149,2	4,5	52,3	113	11	18,0	4,8
N140TC	166	114,3	22,2	149,2	4,5	53,8	113	11	24,4	4,8
N180TC	233	215,9	28,6	184,2	5,8	66,5	143,5	15	31,5	6,3
N210TC	233	215,9	34,9	184,2	5,8	79,2	168,8	15	38,6	7,9
AN250TC	233	215,9	41,3	184,2	5,8	95,2	201	15	45,7	9,5



SK 13050 (AF) - IEC 63, 71
SK 13063 (AF) - IEC 63, 71

SK 13080 (AF) - IEC 63, 71
SK 33100 (AF) - IEC 63 ... 90

SK 43125 (AF) - IEC 71 ... 112

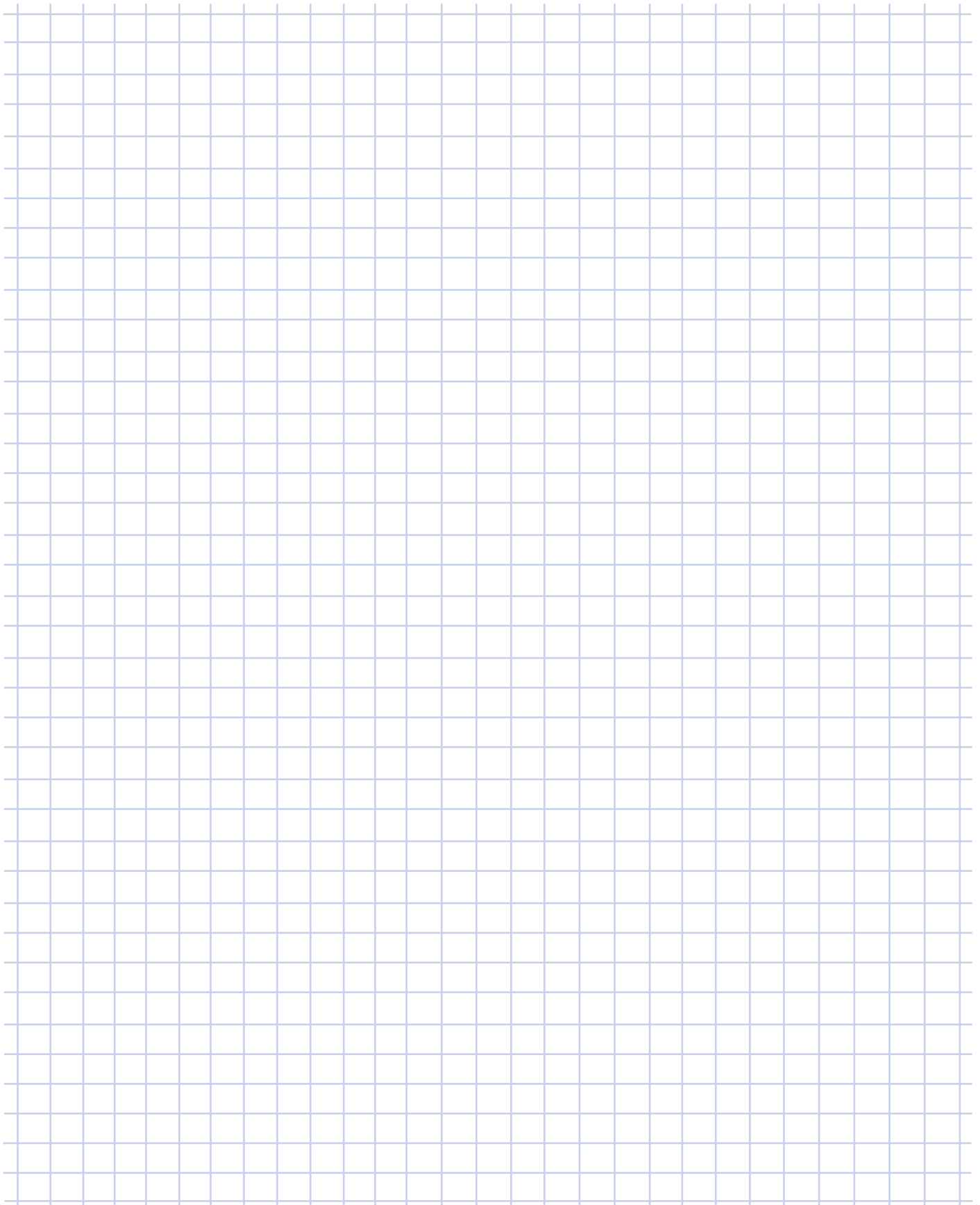


IEC	Ø a	Ø b	Ø d	Ø e	f	l	o	s	t	u
IEC 63	140	95	11	115	4,0	23	84,5	M8	12,8	4
IEC 71	160	110	14	130	4,5	30	88,5	M8	16,3	5
IEC 80	200	130	19	165	4,5	40	106	M10	21,8	6
IEC 90	200	130	24	165	4,5	50	106	M10	27,3	8
IEC 100	250	180	28	215	5,0	60	125	M12	31,3	8
IEC 112	250	180	28	215	5,0	60	125	M12	31,3	8

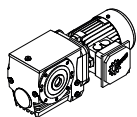
SK 13050 (AF) - NEMA N56C
SK 13063 (AF) - NEMA N56C
SK 43125 (AF) - NEMA N56C ... N180TC

SK 13080 (AF) - NEMA N56C
SK 33100 (AF) - NEMA N56C, N140TC

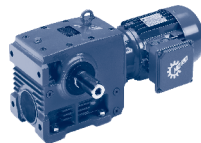
NEMA	Ø a	Ø b	Ø d	Ø e	f	l	o	s	t	u
N56C	166	114,3	15,9	149,2	4,5	52,3	113	11	18,0	4,8
N140TC	166	114,3	22,2	149,2	4,5	53,8	113	11	24,4	4,8
N180TC	233	215,9	28,6	184,2	5,8	66,5	143,5	15	31,5	6,3



A large grid area for taking notes, consisting of a 20x20 grid of small squares. The grid is composed of light blue lines on a white background.

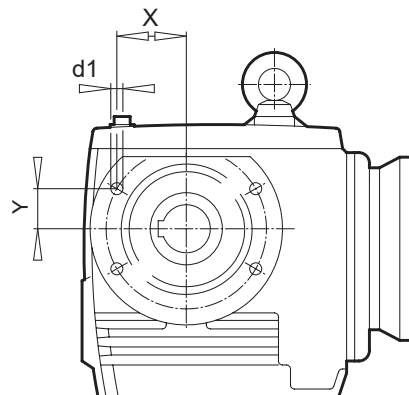
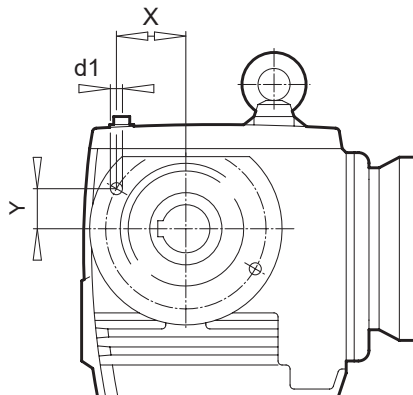
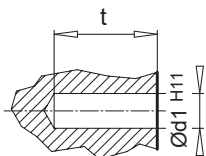


AZ

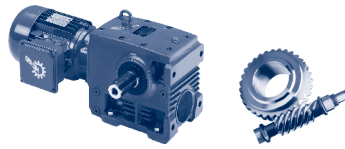


SK 02050AZ - SK 33100AZ

SK 42125AZ
SK 43125AZ

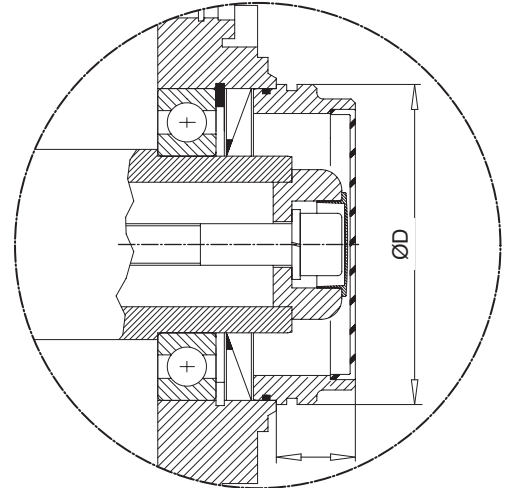
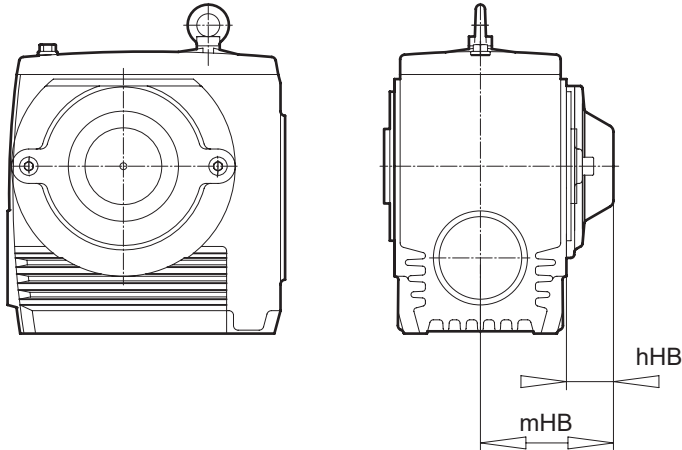


Type	Ø d1 H11	X	Y
SK 02050 AZ	2 x Ø8 x 12	56,14	12,45
SK 13050 AZ	2 x Ø8 x 12	56,14	12,45
SK 12063 AZ	2 x Ø8 x 12	56,14	12,45
SK 13063 AZ	2 x Ø8 x 12	56,14	12,45
SK 12080 AZ	2 x Ø8 x 15	80,54	17,86
SK 13080 AZ	2 x Ø8 x 15	80,54	17,86
SK 32100 AZ	2 x Ø8 x 20	104,95	23,27
SK 33100 AZ	2 x Ø8 x 20	104,95	23,27
SK 42125 AZ	4 x Ø8 x 20	111,75	71,19
SK 43125 AZ	4 x Ø8 x 20	111,75	71,19



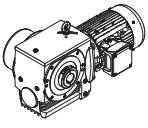
SK ... AZH

SK ... AZH 66

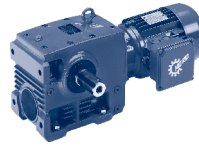


Type	hHB	mHB
SK 02050 AZH	37	97
SK 13050 AZH		
SK 12063 AZH	37	104
SK 13063 AZH		
SK 12080 AZH	41	116
SK 13080 AZH		
SK 32100 AZH	49	141
SK 33100 AZH		
SK 42125 AZH	53	168
SK 43125 AZH		

Type	Ø D	L
SK 02050 AZH66	80	25
SK 13050 AZH66		
SK 12063 AZH66	85	28
SK 13063 AZH66		
SK 12080 AZH66	104	35
SK 13080 AZH66		
SK 32100 AZH66	135	40
SK 33100 AZH66		
SK 42125 AZH66	150	40
SK 43125 AZH66		

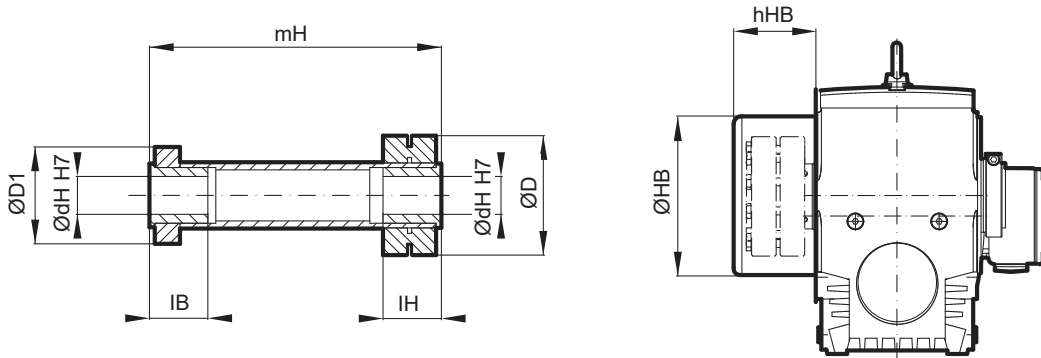


GRIPMAXX



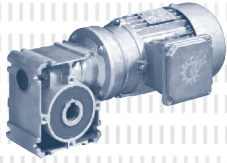
NORD
DRIVESYSTEMS

SK ... AZ(F)MH → A78

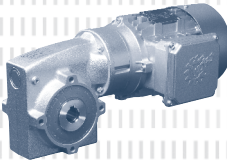


Type		ØdH H7	ØD	ØD1	IB	IH	mH	ØHB	hHB
SK 02050	AZ(F)MH	20 (25,30)	80	57	49	49	200	99	67
SK 13050	AZ(F)MH	20 (25,30)	80	57	49	49	200	99	67
SK 12063	AZ(F)MH	30 (35)	90	73	44	44	227	99	67
SK 13063	AZ(F)MH	30 (35)	90	73	44	44	227	99	67
SK 12080	AZ(F)MH	35 (40, 45)	125	82	49	49	252	135	76
SK 13080	AZ(F)MH	35 (40, 45)	125	82	49	49	252	135	76
SK 32100	AZ(F)MH	45 (50, 55, 60)	156	96	69	69	300	182	95
SK 33100	AZ(F)MH	45 (50, 55, 60)	156	96	69	69	300	182	95
SK 42125	AZ(F)MH	45 (50, 55, 60, 65)	156	96	69	69	352	237	110
SK 43125	AZ(F)MH	45 (50, 55, 60, 65)	156	96	69	69	352	237	110

UNIVERSAL Worm gear units SI and SMI

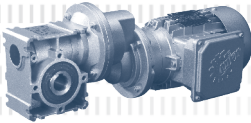


VERSIONS AVAILABLE	G - 3
---------------------------------	-------



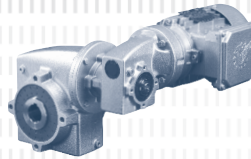
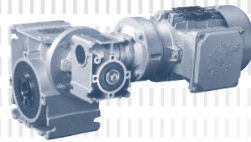
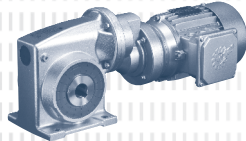
GEAR UNITMOTOR DATA

Power and speed tables	G - 4
Power and speed tables	
W- and IEC- adapters	G - 18



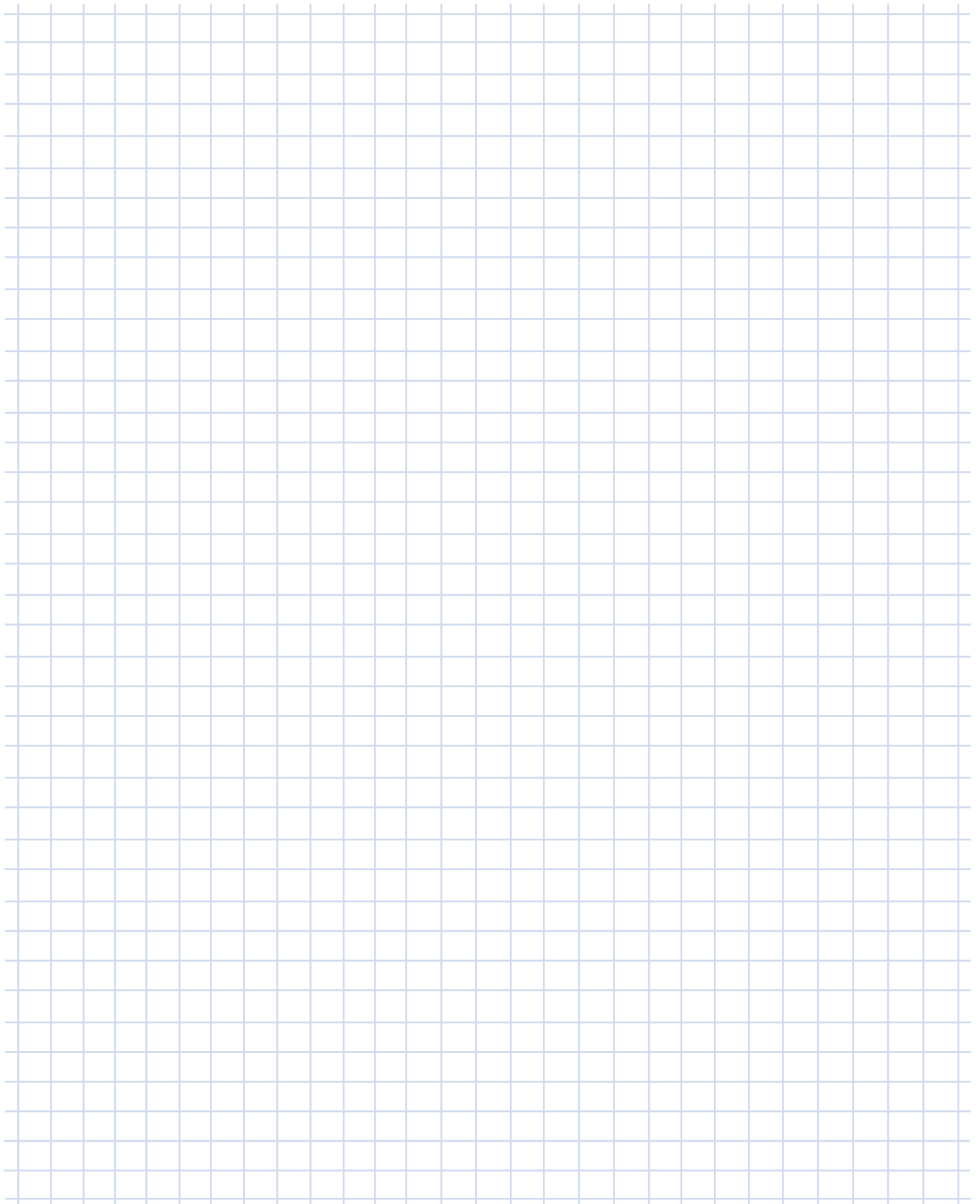
DIMENSIONED DRAWINGS*

Worm gear motors Type SI	G - 22
Worm gear motors Type SMI	G - 32
Helical gear input stage H10	G - 42
Double worm gear adapter	G - 44
IEC-Motor adapter	G - 46
NEMA-Motor adapter	G - 47
Free drive shaft Type W	G - 48
IEC-Three phase motor / brake motor	G - 49



* All specifications in mm unless otherwise indicated

Notes



Examples - available versions

worm gear units Type SI

SK 1SI 63
IEC90 - 90 SP/4
Hollow shaft,
Basic version



SK 1SI 40 VA/I
IEC90 - 90 SP/4
Plug-in shaft at A



SK 1SI 31 VA/I FA/II
IEC71 - 71 SP/4
Plug-in shaft at A,
flange at A



SK 1SI 50 VB/I HA
IEC90 - 90 SP/4
Plug-in shaft at B,
cover at A



SK 1SI 50 DA 180°
IEC71 - 71 SP/4
Hollow shaft,
torque support at A



SK 1SI 63/H10 FA/I
IEC71 - 71 LP/4
Hollow shaft,
flange at A,
Helical worm gear motors T1



SK 1SI 63/31
IEC71 - 71 SP/4
Hollow shaft,
Double worm gear motors U1,
terminal box location KK1



worm gear units Type SMI

SK 1SMI 40 VX
IEC80 - 80 SP/4
Solid shaft at A,
foot-mounted housing



SK 1SMI 40 V FA/I
IEC80 - 80 SP/4
Solid shaft at A,
flange at A



SK 1SMI 50 LZ
IEC90 - 90 SP/4
Solid shaft at A and B



SK 1SMI 63 AX
IEC80 - 80 SP/4
Hollow shaft,
foot-mounted housing



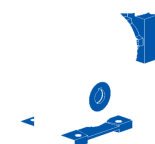
SK 1SMI 50 DB 180°
IEC71 - 71 SP/4
Hollow shaft,
torque support at B



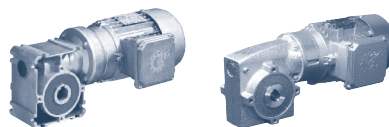
SK 1SMI 50/H10
IEC71 - 71 LP/4
Hollow shaft,
Helical worm gear motors T3



SK 1SMI 63/31
IEC71 - 71 LP/4
Hollow shaft,
foot-mounted housing,
Double worm gear motors U6,
terminal box location KK4



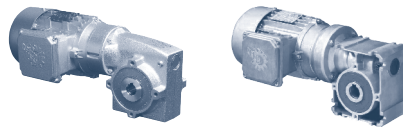
0,12 kW
0,18 kW



1SI, 1SMI - Worm gear motors

P_1 [kW]	n_2 [r/min]	M_2 [Nm]	f_B	i_{total}	F_R [kN]	F_A [kN]	$F_{R VL}$ [kN]	$F_{A VL}$ [kN]	Type	kg	mm G22-23 G32-33			
0,12	137,0	7	3,9	10,00	1,5	2,3			SK 1SI31 - IEC63 - 63 SP/4 SK 1SMI31 - IEC63 - 63 SP/4	6	G22-23 G32-33			
	109,6	8	3,0	12,50	1,4	2,3								
	91,3	9	3,3	15,00	1,4	2,3								
	68,5	11	2,4	20,00	1,4	2,3								
	54,8	13	1,9	25,00	1,4	2,3								
	45,7	13	2,2	30,00	1,4	2,3								
	34,3	16	1,7	40,00	1,4	2,3								
	27,4	18	1,4	50,00	1,4	2,3								
	22,8	20	1,2	60,00	1,4	2,3								
	17,1	23	1,0	80,00	1,4	2,3								
	* 13,7	25	0,8	100,00	1,3	2,3								
	109,6	8	4,9	12,50	2,2	4,9						SK 1SI40 - IEC63 - 63 SP/4 SK 1SMI40 - IEC63 - 63 SP/4	7	G24-25 G34-35
	68,5	12	3,8	20,00	2,2	4,9								
54,8	14	3,0	25,00	2,2	4,9									
45,7	15	3,4	30,00	2,2	4,9									
34,3	18	2,5	40,00	2,2	4,9									
27,4	21	2,1	50,00	2,1	4,9									
22,8	23	1,7	60,00	2,1	4,9									
17,1	27	1,4	80,00	2,1	4,9									
13,7	30	1,1	100,00	2,1	4,9									
34,3	20	4,2	40,00	4,8	4,9			SK 1SI50 - IEC63 - 63 SP/4 SK 1SMI50 - IEC63 - 63 SP/4	8 8	G26-27 G36-37				
27,4	23	3,3	50,00	4,8	4,9									
22,8	26	2,8	60,00	4,8	4,9									
17,1	31	2,2	80,00	4,8	4,9									
13,7	35	1,8	100,00	4,8	4,9									
22,8	29	4,5	60,00	5,2	7,8			SK 1SI63 - IEC63 - 63 SP/4 SK 1SMI63 - IEC63 - 63 SP/4	12	G28-29 G38-39				
17,1	34	3,4	80,00	5,2	7,8									
13,7	39	2,8	100,00	5,2	7,8									
0,18	277,0	5	4,3	5,00	1,2	2,3			SK 1SI31 - IEC63 - 63 LP/4 SK 1SMI31 - IEC63 - 63 LP/4	6	G22-23 G32-33			
	184,7	8	3,6	7,50	1,3	2,3								
	138,5	10	2,7	10,00	1,4	2,3								
	110,8	12	2,0	12,50	1,4	2,3								
	92,3	13	2,2	15,00	1,4	2,3								
	69,3	16	1,6	20,00	1,4	2,3								
	55,4	19	1,3	25,00	1,4	2,3								
	46,2	20	1,5	30,00	1,4	2,3								
	34,6	24	1,2	40,00	1,4	2,3								
	27,7	27	1,0	50,00	1,3	2,3								
	138,5	10	4,1	10,00	2,2	4,9						SK 1SI40 - IEC63 - 63 LP/4 SK 1SMI40 - IEC63 - 63 LP/4	8	G24-25 G34-35
	110,8	12	3,3	12,50	2,2	4,9								
	92,3	14	3,5	15,00	2,2	4,9								
69,3	18	2,6	20,00	2,2	4,9									
55,4	21	2,0	25,00	2,1	4,9									
46,2	22	2,3	30,00	2,1	4,9									
34,6	27	1,7	40,00	2,1	4,9									
27,7	31	1,4	50,00	2,1	4,9									
23,1	35	1,2	60,00	2,1	4,9									
17,3	40	0,9	80,00	2,1	4,9									

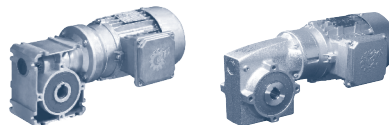
UNIVERSAL
Worm gear units



1SI, 1SMI - Worm gear motors

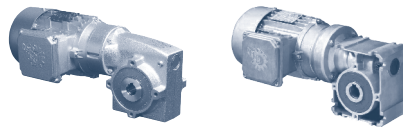
P_1 [kW]	n_2 [r/min]	M_2 [Nm]	f_B	i_{total}	F_R [kN]	F_A [kN]	$F_{R VL}$ [kN]	$F_{A VL}$ [kN]	Type	kg	mm G26-27 G36-37
0,18	69,3	19	4,3	20,00	4,8	4,9			SK 1SI50 - IEC63 - 63 LP/4 SK 1SMI50 - IEC63 - 63 LP/4	9	G26-27 G36-37
	55,4	22	3,4	25,00	4,8	4,9					
	46,2	24	3,7	30,00	4,8	4,9					
	34,6	30	2,8	40,00	4,8	4,9					
	27,7	35	2,2	50,00	4,8	4,9					
	23,1	39	1,9	60,00	4,8	4,9					
	17,3	46	1,5	80,00	4,8	4,9					
	13,9	51	1,2	100,00	4,8	4,9					
	34,6	32	4,6	40,00	5,2	7,8			SK 1SI63 - IEC63 - 63 LP/4 SK 1SMI63 - IEC63 - 63 LP/4	13	G28-29 G38-39
	27,7	38	3,6	50,00	5,2	7,8					
	23,1	43	3,1	60,00	5,2	7,8					
	17,3	51	2,3	80,00	5,2	7,8					
	13,9	58	1,9	100,00	5,1	7,8					
	0,25	283,0	7	3,2	5,00	1,1	2,3			SK 1SI31 - IEC71 - 71 SP/4 SK 1SMI31 - IEC71 - 71 SP/4	8
188,7		10	2,6	7,50	1,3	2,3					
141,5		13	2,0	10,00	1,4	2,3					
113,2		16	1,5	12,50	1,4	2,3					
94,3		18	1,6	15,00	1,4	2,3					
70,8		22	1,2	20,00	1,4	2,3					
56,6		26	1,0	25,00	1,3	2,3					
47,2		27	1,1	30,00	1,3	2,3					
35,4		33	0,9	40,00	1,3	2,3					
188,7		11	4,1	7,50	2,2	4,9			SK 1SI40 - IEC71 - 71 SP/4 SK 1SMI40 - IEC71 - 71 SP/4	9	G24-25 G34-35
141,5		14	3,0	10,00	2,2	4,9					
113,2		17	2,4	12,50	2,2	4,9					
94,3		19	2,6	15,00	2,2	4,9					
70,8		24	1,9	20,00	2,1	4,9					
56,6		29	1,5	25,00	2,1	4,9					
47,2		30	1,7	30,00	2,1	4,9					
35,4		37	1,2	40,00	2,1	4,9					
28,3		42	1,0	50,00	2,1	4,9					
23,6		47	0,8	60,00	2,0	4,9					
113,2		18	4,1	12,50	4,8	4,9			SK 1SI50 - IEC71 - 71 SP/4 SK 1SMI50 - IEC71 - 71 SP/4	11	G26-27 G36-37
94,3		20	4,4	15,00	4,8	4,9					
70,8		25	3,2	20,00	4,8	4,9					
56,6		31	2,5	25,00	4,8	4,9					
47,2		33	2,7	30,00	4,8	4,9					
35,4		40	2,1	40,00	4,8	4,9					
28,3		47	1,6	50,00	4,8	4,9					
23,6		53	1,4	60,00	4,8	4,9					
17,7		63	1,1	80,00	4,8	4,9					
14,2		70	0,9	100,00	4,8	4,9					
56,6		32	4,2	25,00	5,2	7,8			SK 1SI63 - IEC71 - 71 SP/4 SK 1SMI63 - IEC71 - 71 SP/4	14	G28-29 G38-39
47,2	35	4,6	30,00	5,2	7,8						
35,4	44	3,4	40,00	5,2	7,8						
28,3	51	2,7	50,00	5,2	7,8						
23,6	58	2,2	60,00	5,1	7,8						
17,7	70	1,7	80,00	5,1	7,8						
14,2	79	1,4	100,00	5,1	7,8						
28,3	55	4,2	50,00	8	10			SK 1SI75 - IEC71 - 71 SP/4 SK 1SMI75 - IEC71 - 71 SP/4	19	G30-31 G40-41	
23,6	63	3,5	60,00	8	10						
17,7	76	2,6	80,00	8	10						
14,2	88	2,1	100,00	8	10						

0,37 kW



1SI, 1SMI - Worm gear motors

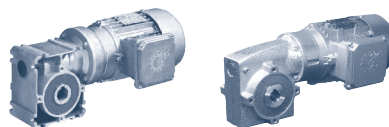
P_1 [kW]	n_2 [r/min]	M_2 [Nm]	f_B	i_{total}	F_R [kN]	F_A	$F_{R VL}$ [kN]	$F_{A VL}$ [kN]	Type	kg	mm G22-23 G32-33
0,37	281,0	11	2,1	5,00	1,1	2,3			SK 1SI31 - IEC71 - 71 LP/4 SK 1SMI31 - IEC71 - 71 LP/4	9	G22-23 G32-33
	187,3	15	1,8	7,50	1,2	2,3					
	140,5	20	1,3	10,00	1,3	2,3					
	112,4	24	1,0	12,50	1,4	2,3					
	93,7	27	1,1	15,00	1,3	2,3					
	70,3	33	0,8	20,00	1,3	2,3					
	281,0	11	3,4	5,00	2,2	4,9			SK 1SI40 - IEC71 - 71 LP/4 SK 1SMI40 - IEC71 - 71 LP/4	10	G24-25 G34-35
	187,3	16	2,8	7,50	2,2	4,9					
	140,5	21	2,0	10,00	2,1	4,9					
	112,4	25	1,6	12,50	2,1	4,9					
	93,7	28	1,7	15,00	2,1	4,9					
	70,3	36	1,3	20,00	2,1	4,9					
	56,2	43	1,0	25,00	2,1	4,9					
	46,8	45	1,1	30,00	2,0	4,9					
	35,1	55	0,8	40,00	2,0	4,9					
	187,3	16	4,8	7,50	4,8	4,9			SK 1SI50 - IEC71 - 71 LP/4 SK 1SMI50 - IEC71 - 71 LP/4	12	G26-27 G36-37
	140,5	21	3,5	10,00	4,8	4,9					
	112,4	26	2,7	12,50	4,8	4,9					
	93,7	30	2,9	15,00	4,8	4,9					
	70,3	38	2,1	20,00	4,8	4,9					
	56,2	45	1,7	25,00	4,8	4,9					
	46,8	49	1,8	30,00	4,8	4,9					
	35,1	60	1,4	40,00	4,8	4,9					
	28,1	70	1,1	50,00	4,8	4,9					
	23,4	79	0,9	60,00	4,8	4,9					
	112,4	27	4,8	12,50	5,2	7,8			SK 1SI63 - IEC71 - 71 LP/4 SK 1SMI63 - IEC71 - 71 LP/4	15	G28-29 G38-39
	70,3	40	3,6	20,00	5,2	7,8					
	56,2	48	2,8	25,00	5,2	7,8					
	46,8	52	3,1	30,00	5,2	7,8					
	35,1	65	2,3	40,00	5,1	7,8					
	28,1	76	1,8	50,00	5,1	7,8					
	23,4	86	1,5	60,00	5,1	7,8					
	17,6	104	1,1	80,00	5,0	7,8					
	14,1	118	0,9	100,00	4,9	7,8					
	56,2	50	4,6	25,00	8,0	10			SK 1SI75 - IEC71 - 71 LP/4 SK 1SMI75 - IEC71 - 71 LP/4	20	G30-31 G40-41
	46,8	58	3,7	30,00	8,0	10					
	35,1	69	3,6	40,00	8,0	10					
	28,1	82	2,8	50,00	8,0	10					
	23,4	94	2,4	60,00	8,0	10					
	17,6	114	1,8	80,00	8,0	10					
	14,1	131	1,4	100,00	8,0	10					



1SI, 1SMI - Worm gear motors

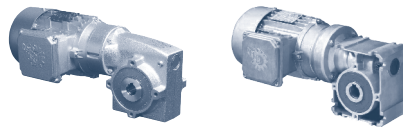
P_1 [kW]	n_2 [r/min]	M_2 [Nm]	f_B	i_{total}	F_R [kN]	F_A [kN]	$F_{R VL}$ [kN]	$F_{A VL}$ [kN]	Type	kg	mm G24-25 G34-35
0,55	284,0	16	2,3	5,00	2,2	4,9			SK 1SI40 - IEC80 - 80 SP/4 SK 1SMI40 - IEC80 - 80 SP/4	13	G24-25 G34-35
	189,3	23	1,9	7,50	2,1	4,9					
	142,0	30	1,4	10,00	2,1	4,9					
	113,6	37	1,1	12,50	2,1	4,9					
	94,7	42	1,2	15,00	2,1	4,9					
	71,0	53	0,9	20,00	2,0	4,9					
	284,0	17	4,0	5,00	4,8	4,9			SK 1SI50 - IEC80 - 80 SP/4 SK 1SMI50 - IEC80 - 80 SP/4	15	G26-27 G36-37
	189,3	24	3,2	7,50	4,8	4,9					
	142,0	31	2,4	10,00	4,8	4,9					
	113,6	39	1,9	12,50	4,8	4,9					
	94,7	44	2,0	15,00	4,8	4,9					
	71,0	56	1,5	20,00	4,8	4,9					
	56,8	67	1,1	25,00	4,8	4,9					
	47,3	72	1,3	30,00	4,8	4,9					
	35,5	89	0,9	40,00	4,8	4,9					
		142,0	32	4,1	10,00	5,2	7,8				
113,6		40	3,2	12,50	5,2	7,8					
94,7		45	3,4	15,00	5,2	7,8					
71,0		58	2,5	20,00	5,1	7,8					
56,8		71	1,9	25,00	5,1	7,8					
47,3		76	2,1	30,00	5,1	7,8					
35,5		96	1,5	40,00	5,0	7,8					
28,4		112	1,2	50,00	5,0	7,8					
23,7		127	1,0	60,00	4,9	7,8					
		71,0	61	4,0	20,00	8,0	10			SK 1SI75 - IEC80 - 80 SP/4 SK 1SMI75 - IEC80 - 80 SP/4	23
	56,8	74	3,1	25,00	8,0	10					
	47,3	86	2,5	30,00	8,0	10					
	35,5	102	2,5	40,00	8,0	10					
	28,4	121	1,9	50,00	8,0	10					
	23,7	138	1,6	60,00	8,0	10					
	17,8	168	1,2	80,00	8,0	10					
	14,2	193	1,0	100,00	8,0	10					
	0,75	283,0	22	1,7	5,00	2,1	4,9				
188,7		32	1,4	7,50	2,1	4,9					
141,5		42	1,0	10,00	2,1	4,9					
113,2		51	0,8	12,50	2,0	4,9					
94,3		57	0,9	15,00	1,9	4,9					
	283,0	23	2,9	5,00	4,8	4,9			SK 1SI50 - IEC80 - 80 LP/4 SK 1SMI50 - IEC80 - 80 LP/4	15	G26-27 G36-37
	188,7	33	2,4	7,50	4,8	4,9					
	141,5	43	1,7	10,00	4,8	4,9					
	113,2	53	1,4	12,50	4,8	4,9					
	94,3	60	1,5	15,00	4,8	4,9					
	70,8	76	1,1	20,00	4,8	4,9					
	56,6	92	0,8	25,00	4,8	4,9					
	47,2	98	0,9	30,00	4,8	4,9					

0,75 kW
1,10 kW



1SI, 1SMI - Worm gear motors

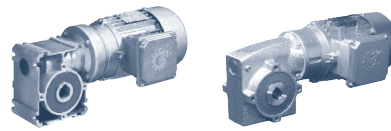
P_1 [kW]	n_2 [r/min]	M_2 [Nm]	f_B	i_{total}	F_R [kN]	F_A [kN]	$F_{R VL}$ [kN]	$F_{A VL}$ [kN]	Type	kg	mm G	
0,75	188,7	34	4,1	7,50	5,2	7,8			SK 1SI63 - IEC80 - 80 LP/4 SK 1SMI63 - IEC80 - 80 LP/4	19	G28-29 G38-39	
	141,5	44	3,0	10,00	5,2	7,8						
	113,2	54	2,4	12,50	5,2	7,8						
	94,3	62	2,5	15,00	5,1	7,8						
	70,8	80	1,8	20,00	5,1	7,8						
	56,6	96	1,4	25,00	5,0	7,8						
	47,2	105	1,5	30,00	5,0	7,8						
	35,4	131	1,1	40,00	4,9	7,8						
	28,3	154	0,9	50,00	4,7	7,8						
	113,2	56	3,9	12,50	8,0	10						
	94,3	64	4,1	15,00	8,0	10						
	70,8	83	3,0	20,00	8,0	10						
	56,6	101	2,3	25,00	8,0	10						
	47,2	118	1,9	30,00	8,0	10						
35,4	139	1,8	40,00	8,0	10							
28,3	165	1,4	50,00	8,0	10							
23,6	189	1,2	60,00	8,0	10							
17,7	229	0,9	80,00	8,0	10							
1,10	286,0	33	2,0	5,00	4,8	4,9			SK 1SI50 - IEC90 - 90 SP/4 SK 1SMI50 - IEC90 - 90 SP/4	20	G26-27 G36-37	
	190,7	48	1,6	7,50	4,8	4,9						
	143,0	63	1,2	10,00	4,8	4,9						
	114,4	77	0,9	12,50	4,8	4,9						
	95,3	87	1,0	15,00	4,8	4,9						
		286,0	34	3,5	5,00	5,2	7,8			SK 1SI63 - IEC90 - 90 SP/4 SK 1SMI63 - IEC90 - 90 SP/4	23	G28-29 G38-39
	190,7	49	2,8	7,50	5,2	7,8						
	143,0	64	2,1	10,00	5,1	7,8						
	114,4	79	1,6	12,50	5,1	7,8						
	95,3	90	1,7	15,00	5,1	7,8						
	71,5	116	1,2	20,00	4,9	7,8						
	57,2	140	1,0	25,00	4,8	7,8						
	47,7	152	1,1	30,00	4,7	7,8						
		190,7	50	4,7	7,50	8,0	10			SK 1SI75 - IEC90 - 90 SP/4 SK 1SMI75 - IEC90 - 90 SP/4	28	G30-31 G40-41
	143,0	66	3,5	10,00	8,0	10						
	114,4	81	2,7	12,50	8,0	10						
	95,3	93	2,8	15,00	8,0	10						
	71,5	120	2,0	20,00	8,0	10						
	57,2	146	1,6	25,00	8,0	10						
	47,7	171	1,3	30,00	8,0	10						
	35,8	202	1,2	40,00	8,0	10						
	28,6	240	1,0	50,00	8,0	10						
	23,8	274	0,8	60,00	8,0	10						



1SI, 1SMI - Worm gear motors

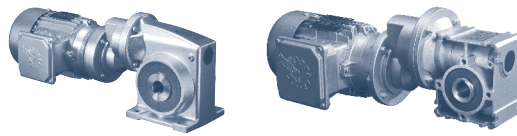
P_1 [kW]	n_2 [r/min]	M_2 [Nm]	f_B	i_{total}	F_R [kN]	F_A [kN]	$F_{R VL}$ [kN]	$F_{A VL}$ [kN]	Type	kg	mm
1,50	283,0	46	1,4	5,00	4,8	4,9			SK 1SI50 - IEC90 - 90 LP/4	22	G26-27
	188,7	66	1,2	7,50	4,8	4,9		SK 1SMI50 - IEC90 - 90 LP/4	G36-37		
	141,5	86	0,9	10,00	4,8	4,9					
	283,0	46	2,5	5,00	5,2	7,8			SK 1SI63 - IEC90 - 90 LP/4	25	G28-29
	188,7	68	2,1	7,50	5,1	7,8		SK 1SMI63 - IEC90 - 90 LP/4	G38-39		
	141,5	88	1,5	10,00	5,1	7,8					
	113,2	109	1,2	12,50	5,0	7,8					
	94,3	124	1,2	15,00	4,9	7,8					
	70,8	160	0,9	20,00	4,7	7,8					
	283,0	47	4,2	5,00	8,0	10			SK 1SI75 - IEC90 - 90 LP/4	29	G30-31
	188,7	69	3,4	7,50	8,0	10		SK 1SMI75 - IEC90 - 90 LP/4	G40-41		
	141,5	90	2,5	10,00	8,0	10					
	113,2	111	1,9	12,50	8,0	10					
	94,3	128	2,1	15,00	8,0	10					
	70,8	166	1,5	20,00	8,0	10					
	56,6	201	1,1	25,00	8,0	10					
	47,2	235	0,9	30,00	8,0	10					
	35,4	278	0,9	40,00	8,0	10					
	283,0	47	4,2	5,00	8,0	10			SK 1SI75 - IEC90 - 90 LP/4	30	G30-31
	188,7	69	3,4	7,50	8,0	10		SK 1SMI75 - IEC90 - 90 LP/4	G40-41		
	141,5	90	2,5	10,00	8,0	10					
	113,2	111	1,9	12,50	8,0	10					
	94,3	128	2,1	15,00	8,0	10					
	70,8	166	1,5	20,00	8,0	10					
	56,6	201	1,1	25,00	8,0	10					
	47,2	235	0,9	30,00	8,0	10					
	35,4	278	0,9	40,00	8,0	10					
2,20	292,0	67	2,9	5,00	8,0	10			SK 1SI75 - IEC100 - 100 LP/4	38	G30-31
	194,7	98	2,4	7,50	8,0	10		SK 1SMI75 - IEC100 - 100 LP/4	G40-41		
	146,0	129	1,8	10,00	8,0	10					
	116,8	159	1,4	12,50	8,0	10					
	97,3	182	1,5	15,00	8,0	10					
	73,0	236	1,0	20,00	8,0	10					
	58,4	287	0,8	25,00	8,0	10					

3,00 kW
4,00 kW



1SI, 1SMI - Worm gear motors

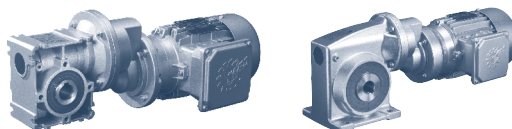
P_1 [kW]	n_2 [r/min]	M_2 [Nm]	f_B	i_{total}	F_R [kN]	F_A [kN]	$F_{R VL}$ [kN]	$F_{A VL}$ [kN]	Type	kg	mm G30-31 G40-41
3,00	290,0	92	2,1	5,00	8,0	10			SK 1SI75 - IEC100 - 100 AP/4	41	G30-31
	193,3	134	1,7	7,50	8,0	10		SK 1SMI75 - IEC100 - 100 AP/4	G40-41		
	145,0	176	1,3	10,00	8,0	10					
	116,0	218	1,0	12,50	8,0	10					
	96,7	250	1,1	15,00	8,0	10					
4,00	288,0	123	1,6	5,00	8,0	10			SK 1SI75 - IEC112 - 112 MP/4	49	G30-31
	192,0	180	1,3	7,50	8,0	10		SK 1SMI75 - IEC112 - 112 MP/4	G40-41		
	144,0	237	1,0	10,00	8,0	10					


1SI, 1SMI - Helical worm gear motors

P_1 [kW]	n_2 [r/min]	M_2 [Nm]	f_B	i_{total}	F_R [kN]	F_A [kN]	$F_{R VL}$ [kN]	$F_{A VL}$ [kN]	Type	kg	mm G42
0,12	27,4	34	1,8	50,00	2,1	4,9			SK 1SI40/H10 - IEC63 - 63 SP/4 SK 1SMI40/H10 - IEC63 - 63 SP/4	7	G42
	18,3	47	1,5	75,00	2,0	4,9					
	13,7	61	1,1	100,00	1,9	4,9					
	11,0	72	0,9	125,00	1,8	4,9					
	9,1	79	1,0	150,00	1,7	4,9					
	6,9	* 91	0,8	200,00	1,6	4,9					
	5,5	* 86	0,8	250,00	1,6	4,9					
	4,6	*101	0,8	300,00	1,4	4,9					
	3,4	* 94	0,8	400,00	1,5	4,9					
	2,7	* 88	0,8	500,00	1,6	4,9					
	2,3	* 83	0,8	600,00	1,7	4,9					
	1,7	* 75	0,8	800,00	1,8	4,9					
	1,4	* 69	0,8	1.000,00	1,9	4,9					
		27,4	34	3,0	50,00	4,8	4,9				
	18,3	48	2,6	75,00	4,8	4,9					
	13,7	62	2,0	100,00	4,8	4,9					
	11,0	75	1,6	125,00	4,8	4,9					
	9,1	82	1,7	150,00	4,8	4,9					
	6,9	101	1,3	200,00	4,8	4,9					
	5,5	118	1,0	250,00	4,8	4,9					
	4,6	121	1,2	300,00	4,8	4,9					
	3,4	144	0,9	400,00	4,8	4,9					
	2,7	* 156	0,8	500,00	4,8	4,9					
	2,3	* 148	0,8	600,00	4,8	4,9					
	1,7	* 135	0,8	800,00	4,8	4,9					
	1,4	* 126	0,8	1.000,00	4,8	4,9					
	27,4	35	3,0	50,00	5,2	7,8			SK 1SI63/H10 - IEC63 - 63 SP/4 SK 1SMI63/H10 - IEC63 - 63 SP/4	13	G42
	18,3	49	3,0	75,00	5,2	7,8					
	13,7	63	3,0	100,00	5,1	7,8					
	11,0	76	2,8	125,00	5,1	7,8					
	9,1	83	3,0	150,00	5,1	7,8					
	6,9	104	2,3	200,00	5,0	7,8					
	5,5	121	1,8	250,00	4,9	7,8					
	4,6	125	2,1	300,00	4,9	7,8					
	3,4	149	1,6	400,00	4,8	7,8					
	2,7	168	1,3	500,00	4,6	7,8					
	2,3	184	1,1	600,00	4,5	7,8					
	1,7	209	0,9	800,00	4,3	7,8					
	1,4	* 224	0,8	1.000,00	5,1	7,8					
	11,0	77	4,6	125,00	8	7,8					
	6,9	107	3,7	200,00	8	7,8					
	5,5	126	3,0	250,00	8	7,8					
	4,6	142	2,5	300,00	8	7,8					
	3,4	156	2,6	400,00	8	7,8					
	2,7	177	2,1	500,00	8	7,8					
	2,3	195	1,8	600,00	8	7,8					
	1,7	223	1,5	800,00	8	7,8					
	1,4	244	1,2	1.000,00	8	7,8					

* maximum output torque with $f_B = 0,8$

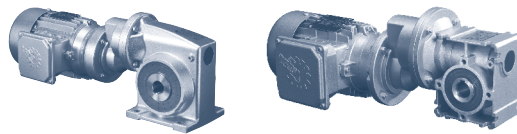
0,18 kW
0,25 kW



1SI, 1SMI - Helical worm gear motors

P_1 [kW]	n_2 [r/min]	M_2 [Nm]	f_B	i_{total}	F_R [kN]	F_A [kN]	$F_{R VL}$ [kN]	$F_{A VL}$ [kN]	Type	kg	mm
0,18	27,7	50	1,2	50,00	2,0	4,9			SK 1SI40/H10 - IEC63 - 63 LP/4	8	G42
	18,5	70	1,0	75,00	1,8	4,9			SK 1SMI40/H10 - IEC63 - 63 LP/4		
	27,7	51	2,0	50,00	4,8	4,9			SK 1SI50/H10 - IEC63 - 63 LP/4	10	G42
	18,5	72	1,8	75,00	4,8	4,9			SK 1SMI50/H10 - IEC63 - 63 LP/4		
	13,9	92	1,3	100,00	4,8	4,9				10	
	11,1	111	1,1	125,00	4,8	4,9					
	9,2	121	1,2	150,00	4,8	4,9					
	6,9	150	0,9	200,00	4,8	4,9					
	4,6	180	0,8	300,00	4,8	4,9					
	27,7	51	2,0	50,00	5,2	7,8			SK 1SI63/H10 - IEC63 - 63 LP/4	13	G42
	18,5	73	2,0	75,00	5,1	7,8			SK 1SMI63/H10 - IEC63 - 63 LP/4		
	13,9	93	2,0	100,00	5,0	7,8					
11,1	112	1,9	125,00	5,0	7,8						
9,2	124	2,0	150,00	4,9	7,8						
6,9	154	1,5	200,00	4,7	7,8						
5,5	180	1,2	250,00	4,5	7,8						
4,6	185	1,4	300,00	4,5	7,8						
3,5	221	1,1	400,00	4,2	7,8						
2,8	250	0,9	500,00	3,8	7,8						
27,7	52	4,1	50,00	8,0	7,8			SK 1SI75/H10 - IEC63 - 63 LP/4	21	G43	
18,5	74	4,1	75,00	8,0	7,8			SK 1SMI75/H10 - IEC63 - 63 LP/4			
13,9	95	3,9	100,00	8,0	7,8						
11,1	115	3,1	125,00	8,0	7,8						
9,2	127	3,4	150,00	8,0	7,8						
6,9	159	2,5	200,00	8,0	7,8						
5,5	187	2,0	250,00	8,0	7,8						
4,6	211	1,7	300,00	8,0	7,8						
3,5	232	1,7	400,00	8,0	7,8						
2,8	264	1,4	500,00	8,0	7,8						
2,3	290	1,2	600,00	8,0	7,8						
1,7	331	1,0	800,00	8,0	7,8						
1,4	362	0,8	1.000,00	8,0	7,8						
0,25	28,3	68	0,9	50,00	1,9	4,9			SK 1SI40/H10 - IEC71 - 71 SP/4	10	G42
									SK 1SMI40/H10 - IEC71 - 71 SP/4		
	28,3	69	1,5	50,00	4,8	4,9			SK 1SI50/H10 - IEC71 - 71 SP/4	11	G42
	18,9	98	1,3	75,00	4,8	4,9			SK 1SMI50/H10 - IEC71 - 71 SP/4		
	14,2	125	1,0	100,00	4,8	4,9					
	9,4	165	0,9	150,00	4,8	4,9					
	28,3	70	1,5	50,00	5,1	7,8			SK 1SI63/H10 - IEC71 - 71 SP/4	15	G42
	18,9	99	1,5	75,00	5,0	7,8			SK 1SMI63/H10 - IEC71 - 71 SP/4		
	14,2	127	1,5	100,00	4,9	7,8					
	11,3	153	1,4	125,00	4,7	7,8					
	9,4	169	1,5	150,00	4,6	7,8					
	7,1	209	1,1	200,00	4,3	7,8					
5,7	245	0,9	250,00	3,9	7,8						
4,7	252	1,0	300,00	3,8	7,8						

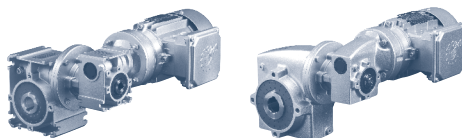
UNIVERSAL
Worm gear units



1SI, 1SMI - Helical worm gear motors

P_1 [kW]	n_2 [r/min]	M_2 [Nm]	f_B	i_{total}	F_R [kN]	F_A [kN]	$F_{R VL}$ [kN]	$F_{A VL}$ [kN]	Type	kg	mm
0,25	28,3	71	3,0	50,00	8,0	7,8			SK 1SI75/H10 - IEC71 - 71 SP/4	22	G43
	18,9	101	3,0	75,00	8,0	7,8			SK 1SMI75/H10 - IEC71 - 71 SP/4		
	14,2	130	2,8	100,00	8,0	7,8					
	11,3	157	2,3	125,00	8,0	7,8					
	9,4	173	2,5	150,00	8,0	7,8					
	7,1	217	1,8	200,00	8,0	7,8					
	5,7	254	1,5	250,00	8,0	7,8					
	4,7	288	1,2	300,00	8,0	7,8					
	3,5	316	1,3	400,00	8,0	7,8					
	2,8	360	1,1	500,00	8,0	7,8					
2,4	396	0,9	600,00	8,0	7,8						
0,37	28,1	103	1,0	50,00	4,8	4,9			SK 1SI50/H10 - IEC71 - 71 LP/4	13	G42
	18,7	146	0,9	75,00	4,8	4,9			SK 1SMI50/H10 - IEC71 - 71 LP/4		
	28,1	104	1,0	50,00	5,0	7,8			SK 1SI63/H10 - IEC71 - 71 LP/4	16	G42
	18,7	148	1,0	75,00	4,8	7,8			SK 1SMI63/H10 - IEC71 - 71 LP/4		
	14,1	190	1,0	100,00	4,5	7,8					
	11,2	228	0,9	125,00	4,1	7,8					
	9,4	251	1,0	150,00	3,8	7,8					
	28,1	106	2,0	50,00	8,0	7,8			SK 1SI75/H10 - IEC71 - 71 LP/4	23	G43
	18,7	150	2,0	75,00	8,0	7,8			SK 1SMI75/H10 - IEC71 - 71 LP/4		
	14,1	193	1,9	100,00	8,0	7,8					
11,2	233	1,5	125,00	8,0	7,8						
9,4	258	1,7	150,00	8,0	7,8						
7,0	323	1,2	200,00	8,0	7,8						
5,6	379	1,0	250,00	8,0	7,8						
4,7	429	0,8	300,00	8,0	7,8						
3,5	471	0,9	400,00	8,0	7,8						
0,55	28,4	155	1,4	50,00	8,0	7,8			SK 1SI75/H10 - IEC80 - 80 SP/4	26	G43
	18,9	221	1,4	75,00	8,0	7,8			SK 1SMI75/H10 - IEC80 - 80 SP/4		
	14,2	284	1,3	100,00	8,0	7,8					
	11,4	343	1,0	125,00	8,0	7,8					
	9,5	380	1,1	150,00	8,0	7,8					
	7,1	475	0,8	200,00	8,0	7,8					
0,75	28,3	212	1,0	50,00	8,0	7,8			SK 1SI75/H10 - IEC80 - 80 LP/4	26	G43
	18,9	302	1,0	75,00	8,0	7,8			SK 1SMI75/H10 - IEC80 - 80 LP/4		
	14,2	389	0,9	100,00	8,0	7,8					
	9,4	520	0,8	150,00	7,7	7,8					

0,12 kW

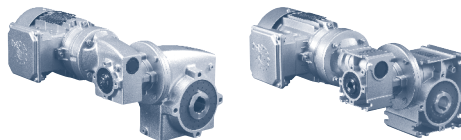


1SI, 1SMI - Double worm gear motors

P_1 [kW]	n_2 [r/min]	M_2 [Nm]	f_B	i_{total}	F_R [kN]	F_A [kN]	$F_{R VL}$ [kN]	$F_{A VL}$ [kN]	Type	kg	mm
0,12	9,1	52	1,4	150,00	2,0	4,9			SK 1SI40/31 - IEC63 - 63 SP/4 SK 1SMI40/31 - IEC63 - 63 SP/4	8	G44
	6,1	71	1,1	225,00	1,8	4,9					
	4,6	90	0,9	300,00	1,6	4,9					
	3,7	* 104	0,8	375,00	1,4	4,9					
	3,0	* 105	0,8	450,00	1,3	4,9					
	2,3	* 109	0,8	600,00	0,9	4,9					
	1,8	* 110	0,8	750,00	0,7	4,9					
	1,5	* 113	0,8	900,00	-	4,9					
	1,1	* 116	0,8	1.200,00	-	4,9					
	0,9	* 119	0,8	1.500,00	-	4,9					
	0,8	* 120	0,8	1.800,00	-	4,9					
	0,6	* 123	0,8	2.400,00	-	4,9					
	0,5	* 124	0,8	3.000,00	-	4,9					
	9,1	55	2,4	150,00	4,8	4,9			SK 1SI50/31 - IEC63 - 63 SP/4 SK 1SMI50/31 - IEC63 - 63 SP/4	10	G44
	6,1	76	1,9	225,00	4,8	4,9					
	4,6	95	1,5	300,00	4,8	4,9					
	3,7	113	1,3	375,00	4,8	4,9					
	3,0	124	1,2	450,00	4,8	4,9					
	2,3	153	1,0	600,00	4,8	4,9					
	1,8	178	0,9	750,00	4,8	4,9					
	1,5	184	0,9	900,00	4,8	4,9					
	1,1	* 210	0,8	1.200,00	4,8	4,9					
	0,9	* 214	0,8	1.500,00	4,8	4,9					
	0,8	* 216	0,8	1.800,00	4,8	4,9					
	0,6	* 220	0,8	2.400,00	4,8	4,9					
	0,5	* 223	0,8	3.000,00	4,8	4,9					
	9,1	58	4,1	150,00	5,1	7,8			SK 1SI63/31 - IEC63 - 63 SP/4 SK 1SMI63/31 - IEC63 - 63 SP/4	13	G44
	6,1	79	3,2	225,00	5,1	7,8					
	4,6	98	2,6	300,00	5,0	7,8					
	3,7	116	2,3	375,00	4,9	7,8					
	3,0	127	2,1	450,00	4,9	7,8					
	2,3	155	1,8	600,00	4,7	7,8					
	1,8	180	1,6	750,00	4,5	7,8					
	1,5	186	1,5	900,00	4,5	7,8					
	1,1	221	1,4	1.200,00	4,2	7,8					
	0,9	249	1,2	1.500,00	3,8	7,8					
	0,8	272	1,1	1.800,00	3,5	7,8					
	0,6	309	1,0	2.400,00	-	7,8					
	0,5	336	0,9	3.000,00	-	7,8					
	9,1	68	4,7	150,00	8,0	10			SK 1SI75/40 - IEC63 - 63 SP/4 SK 1SMI75/40 - IEC63 - 63 SP/4	19	G45
	6,1	93	3,7	225,00	8,0	10					
	4,6	117	3,0	300,00	8,0	10					
	3,7	139	2,6	375,00	8,0	10					
	3,0	154	2,4	450,00	8,0	10					
	2,3	191	2,0	600,00	8,0	10					
	1,8	223	1,7	750,00	8,0	10					
	1,5	234	1,7	900,00	8,0	10					
	1,1	282	1,4	1.200,00	8,0	10					
	0,9	322	1,3	1.500,00	8,0	10					
	0,8	356	1,2	1.800,00	8,0	10					
	0,6	411	1,0	2.400,00	8,0	10					
	0,5	453	0,9	3.000,00	8,0	10					

* maximum output torque with $f_B = 0,8$

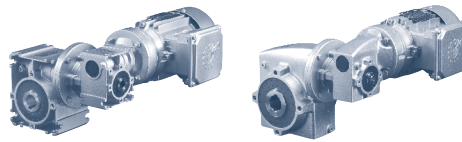
UNIVERSAL
Worm gear units



1SI, 1SMI - Double worm gear motors

P_1 [kW]	n_2 [r/min]	M_2 [Nm]	f_B	i_{total}	F_R [kN]	F_A [kN]	$F_{R VL}$ [kN]	$F_{A VL}$ [kN]	Type	kg	mm G44	
0,18	9,2	77	1,0	150,00	1,8	4,9			SK 1SI40/31 - IEC63 - 63 LP/4 SK 1SMI40/31 - IEC63 - 63 LP/4	9	G44	
	9,2	82	1,6	150,00	4,8	4,9			SK 1SI50/31 - IEC63 - 63 LP/4 SK 1SMI50/31 - IEC63 - 63 LP/4	11	G44	
	6,2	113	1,3	225,00	4,8	4,9						
	4,6	142	1,0	300,00	4,8	4,9						
	3,7	168	0,9	375,00	4,8	4,9						
	3,1	185	0,8	450,00	4,8	4,9						
	9,2	86	2,7	150,00	5,1	7,8			SK 1SI63/31 - IEC63 - 63 LP/4 SK 1SMI63/31 - IEC63 - 63 LP/4	14	G44	
	6,2	117	2,1	225,00	4,9	7,8						
	4,6	146	1,8	300,00	4,8	7,8						
	3,7	172	1,5	375,00	4,6	7,8						
	3,1	189	1,4	450,00	4,5	7,8						
	2,3	231	1,2	600,00	4,0	7,8						
	1,8	268	1,1	750,00	3,5	7,8						
	1,5	276	1,0	900,00	3,3	7,8						
	1,2	328	0,9	1.200,00	-	7,8						
	0,9	370	0,8	1.500,00	-	7,8						
	9,2	101	3,2	150,00	8,0	10			SK 1SI75/40 - IEC63 - 63 LP/4 SK 1SMI75/40 - IEC63 - 63 LP/4	20	G45	
	6,2	138	2,5	225,00	8,0	10						
	4,6	174	2,0	300,00	8,0	10						
	3,7	207	1,7	375,00	8,0	10						
	3,1	229	1,6	450,00	8,0	10						
	2,3	283	1,3	600,00	8,0	10						
	1,8	332	1,2	750,00	8,0	10						
	1,5	348	1,1	900,00	8,0	10						
	1,2	419	1,0	1.200,00	8,0	10						
	0,9	478	0,9	1.500,00	8,0	10						
	0,25	9,4	112	1,2	150,00	4,8	4,9			SK 1SI50/31 - IEC71 - 71 SP/4 SK 1SMI50/31 - IEC71 - 71 SP/4	12	G44
		6,3	154	0,9	225,00	4,8	4,9					
9,4		118	2,0	150,00	4,9	7,8			SK 1SI63/31 - IEC71 - 71 SP/4 SK 1SMI63/31 - IEC71 - 71 SP/4	15	G44	
6,3		159	1,6	225,00	4,7	7,8						
4,7		199	1,3	300,00	4,4	7,8						
3,8		235	1,1	375,00	4	7,8						
3,1		257	1,0	450,00	3,7	7,8						
2,4		315	0,9	600,00	-	7,8						
9,4		138	2,3	150,00	8,0	10			SK 1SI75/40 - IEC71 - 71 SP/4 SK 1SMI75/40 - IEC71 - 71 SP/4	21	G45	
6,3		189	1,8	225,00	8,0	10						
4,7		237	1,5	300,00	8,0	10						
3,8		282	1,3	375,00	8,0	10						
3,1		312	1,2	450,00	8,0	10						
2,4		386	1,0	600,00	8,0	10						
1,9		453	0,8	750,00	8,0	10						
1,6		475	0,8	900,00	8,0	10						

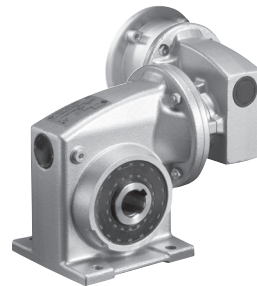
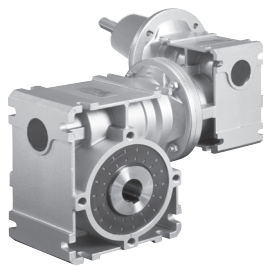
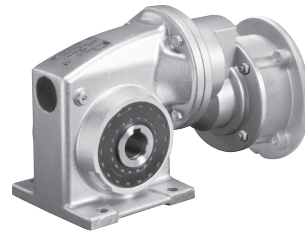
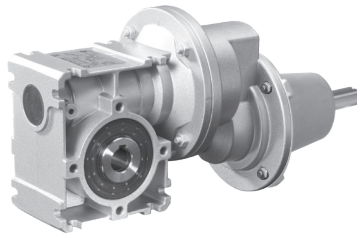
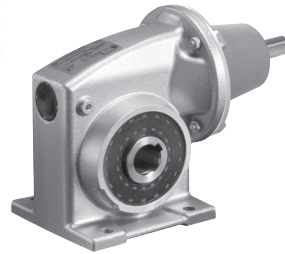
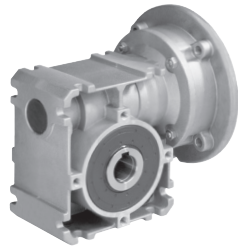
0,37 kW

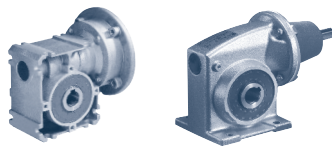


1SI, 1SMI - Double worm gear motors

P_1 [kW]	n_2 [r/min]	M_2 [Nm]	f_B	i_{total}	F_R [kN]	F_A [kN]	$F_{R VL}$ [kN]	$F_{A VL}$ [kN]	Type	kg	mm
0,37	9,4	176	1,3	150,00	4,6	7,8			SK 1SI63/31 - IEC71 - 71 LP/4	17	G44
	6,2	237	1,1	225,00	4,0	7,8		SK 1SMI63/31 - IEC71 - 71 LP/4			
	4,7	296	0,9	300,00	1,7	7,8					
0,37	9,4	206	1,6	150,00	8,0	10			SK 1SI75/40 - IEC71 - 71 LP/4	22	G45
	6,2	281	1,2	225,00	8,0	10			SK 1SMI75/40 - IEC71 - 71 LP/4		
	4,7	353	1,0	300,00	8,0	10					
	3,7	420	0,9	375,00	8,0	10					

UNIVERSAL Worm gear units SI and SMI

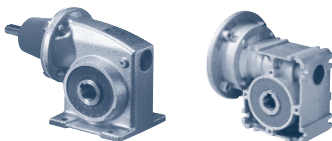




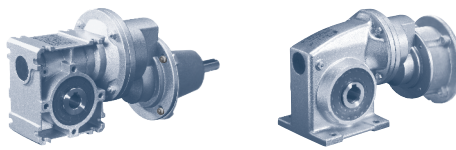
Worm gear units

W + IEC

	i_{Total}	i_{sch}	i_{vor}	$n_1 = 1400 \text{ r/min}$			$n_1 = 900 \text{ r/min}$			$n_1 = 500 \text{ r/min}$			$n_1 = 250 \text{ r/min}$		
				n_2	M_{2max}	P_{emax}	n_2	M_{2max}	P_{emax}	n_2	M_{2max}	P_{emax}	n_2	M_{2max}	P_{emax}
				[r/min]	[Nm]	[kW]	[r/min]	[Nm]	[kW]	[r/min]	[Nm]	[kW]	[r/min]	[Nm]	[kW]
SK 1SI 75	100	100		14	185	0,52	9	217	0,43	5,0	250	0,33	2,5	278	0,21
SK 1SMI75	80	80		18	199	0,66	11	233	0,52	6,2	269	0,39	3,1	299	0,26
	60	60		23	218	0,85	15	255	0,69	8,3	295	0,50	4,2	327	0,33
W	50	50		28	231	1,04	18	270	0,83	10	312	0,59	5,0	346	0,38
+	40	40		35	247	1,31	22	289	1,03	12	334	0,71	6,2	371	0,46
	30	30		47	216	1,38	30	253	1,07	17	292	0,75	8,3	324	0,45
IEC	25	25		56	228	1,67	36	267	1,30	20	308	0,89	10	342	0,54
	20	20		70	242	2,17	45	284	1,69	25	327	1,14	12	364	0,66
$\frac{H}{mm}$	15	15		93	260	3,03	60	305	2,34	33	352	1,56	17	392	0,96
	12,5	12,5		112	216	2,88	72	252	2,21	40	291	1,47	20	324	0,86
\Rightarrow G46, 48	10	10		140	224	3,70	90	263	2,81	50	303	1,87	25	337	1,09
	7,5	7,5		187	232	4,00	120	271	2,64	67	313	2,00	33	348	0,72
	5,0	5,0		280	194	4,00	180	227	2,64	100	262	2,00	50	291	0,72
SK 1SI 63	100	100		14	110	0,34	9	129	0,29	5,0	149	0,22	2,5	165	0,14
SK 1SMI 63	80	80		18	118	0,44	11	138	0,34	6,2	160	0,25	3,1	177	0,16
	60	60		23	130	0,55	15	152	0,45	8,3	175	0,32	4,2	194	0,21
W	50	50		28	137	0,66	18	160	0,53	10	185	0,38	5,0	206	0,24
+	40	40		35	147	0,84	22	172	0,65	12	198	0,45	6,2	220	0,29
	30	30		47	160	1,14	30	187	0,90	17	216	0,64	8,3	240	0,38
IEC	25	25		56	135	1,04	36	158	0,82	20	183	0,56	10	203	0,34
	20	20		70	144	1,34	45	169	1,05	25	195	0,71	12	216	0,41
$\frac{H}{mm}$	15	15		93	155	1,50	60	182	0,99	33	210	0,75	17	233	0,27
	12,5	12,5		112	129	1,50	72	151	0,99	40	174	0,75	20	193	0,27
\Rightarrow G46, 48	10	10		140	134	1,50	90	157	0,99	50	181	0,75	25	201	0,27
	7,5	7,5		187	139	1,50	120	163	0,99	67	188	0,75	33	209	0,27
	5,0	5,0		280	118	1,50	180	138	0,99	100	159	0,75	50	177	0,27
SK 1SI 50	100	100		14	62	0,22	9	72	0,18	5,0	84	0,13	2,5	93	0,08
SK 1SMI 50	80	80		18	67	0,27	11	78	0,21	6,2	90	0,15	3,1	100	0,10
	60	60		23	73	0,34	15	85	0,28	8,3	98	0,20	4,2	109	0,12
W	50	50		28	77	0,40	18	90	0,33	10	104	0,23	5,0	116	0,14
+	40	40		35	83	0,50	22	97	0,40	12	112	0,27	6,2	124	0,17
	30	30		47	90	0,68	30	105	0,54	17	122	0,38	8,3	135	0,23
IEC	25	25		56	76	0,62	36	89	0,49	20	103	0,33	10	114	0,20
	20	20		70	81	0,79	45	95	0,61	25	109	0,42	12	122	0,24
$\frac{H}{mm}$	15	15		93	87	1,08	60	102	0,85	33	118	0,56	17	131	0,34
	12,5	12,5		112	72	1,02	72	85	0,79	40	98	0,52	20	109	0,30
\Rightarrow G46, 48	10	10		140	75	1,30	90	88	1,00	50	102	0,66	25	113	0,38
	7,5	7,5		187	78	1,50	120	91	0,99	67	105	0,75	33	117	0,27
	5,0	5,0		280	66	1,50	180	77	0,99	100	89	0,75	50	99	0,27
SK 1SI 40	100	100		14	34	0,14	9	40	0,11	5,0	46	0,08	2,5	52	0,05
SK 1SMI 40	80	80		18	37	0,17	11	43	0,13	6,2	50	0,10	3,1	55	0,06
	60	60		23	40	0,21	15	47	0,17	8,3	55	0,12	4,2	61	0,07
W	50	50		28	43	0,25	18	50	0,20	10	58	0,14	5,0	64	0,09
+	40	40		35	46	0,31	22	54	0,24	12	62	0,17	6,2	69	0,10
	30	30		47	50	0,41	30	58	0,32	17	67	0,23	8,3	75	0,13
IEC	25	25		56	42	0,37	36	50	0,29	20	57	0,20	10	64	0,12
	20	20		70	45	0,47	45	53	0,37	25	61	0,25	12	68	0,14
$\frac{H}{mm}$	15	15		93	49	0,63	60	57	0,49	33	66	0,33	17	73	0,20
	12,5	12,5		112	41	0,59	72	47	0,46	40	55	0,31	20	61	0,18
\Rightarrow G46, 48	10	10		140	42	0,75	90	50	0,50	50	57	0,38	25	64	0,14
	7,5	7,5		187	44	0,75	120	52	0,50	67	60	0,38	33	66	0,14
	5,0	5,0		280	38	0,75	180	45	0,50	100	51	0,38	50	57	0,14


Worm gear units
W + IEC

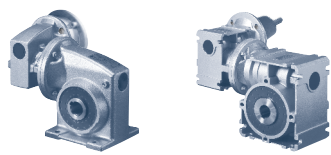
	i_{Total}	i_{sch}	i_{vor}	$n_1 = 1400 \text{ r/min}$			$n_1 = 900 \text{ r/min}$			$n_1 = 500 \text{ r/min}$			$n_1 = 250 \text{ r/min}$		
				n_2	M_{2max}	P_{emax}	n_2	M_{2max}	P_{emax}	n_2	M_{2max}	P_{emax}	n_2	M_{2max}	P_{emax}
				[r/min]	[Nm]	[kW]	[r/min]	[Nm]	[kW]	[r/min]	[Nm]	[kW]	[r/min]	[Nm]	[kW]
SK 1SI 31	100	100		14	21	0,10	9	24	0,08	5,0	28	0,06	2,5	31	0,04
SK 1SMI 31	80	80		18	22	0,12	11	26	0,09	6,2	30	0,06	3,1	33	0,04
	60	60		23	24	0,14	15	28	0,11	8,3	33	0,08	4,2	36	0,05
W	50	50		28	26	0,17	18	30	0,13	10	35	0,09	5,0	39	0,05
+	40	40		35	28	0,20	22	32	0,16	12	37	0,11	6,2	41	0,07
	30	30		47	30	0,27	30	35	0,21	17	41	0,15	8,3	45	0,08
IEC	25	25		56	25	0,24	36	30	0,18	20	34	0,12	10	38	0,07
	20	20		70	27	0,30	45	32	0,23	25	37	0,15	12	41	0,09
mm	15	15		93	29	0,37	60	34	0,24	33	40	0,19	17	44	0,07
	12,5	12,5		112	24	0,37	72	29	0,24	40	33	0,19	20	37	0,07
⇒ G46, 48	10	10		140	26	0,37	90	30	0,24	50	34	0,19	25	38	0,07
	7,5	7,5		187	27	0,37	120	31	0,24	67	36	0,19	33	40	0,07
	5,0	5,0		280	23	0,37	180	27	0,24	100	31	0,19	50	35	0,07







Helical worm gear units

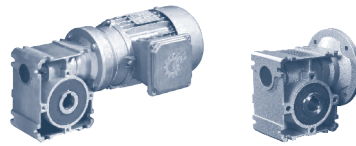
W + IEC

	i_{Total}	i_{sch}	i_{vor}	$n_1 = 1400 \text{ r/min}$			$n_1 = 900 \text{ r/min}$			$n_1 = 500 \text{ r/min}$			$n_1 = 250 \text{ r/min}$		
				n_2	M_{2max}	P_{emax}	n_2	M_{2max}	P_{emax}	n_2	M_{2max}	P_{emax}	n_2	M_{2max}	P_{emax}
				[r/min]	[Nm]	[kW]	[r/min]	[Nm]	[kW]	[r/min]	[Nm]	[kW]	[r/min]	[Nm]	[kW]
SK 1SI 75/H10	1000	100	10	1,4	304	0,15	0,9	317	0,11	0,50	334	0,07	0,25	359	0,04
SK 1SMI 75/H10	800	80	10	1,8	327	0,18	1,1	341	0,13	0,63	358	0,08	0,31	386	0,04
W	600	60	10	2,3	358	0,22	1,5	373	0,16	0,83	393	0,10	0,42	423	0,05
+	500	50	10	2,8	379	0,26	1,8	395	0,18	1,0	416	0,11	0,50	448	0,06
IEC	400	40	10	3,5	406	0,32	2,3	423	0,22	1,3	445	0,14	0,63	479	0,08
mm	300	30	10	4,7	355	0,31	3,0	369	0,21	1,7	389	0,13	0,83	419	0,07
⇒ G43	250	25	10	5,6	374	0,36	3,6	390	0,25	2,0	410	0,15	1,0	442	0,08
	200	20	10	7,0	398	0,46	4,5	415	0,32	2,5	436	0,19	1,3	470	0,10
	150	15	10	9,3	429	0,61	6,0	447	0,42	3,3	470	0,25	1,7	506	0,14
	125	12,5	10	11	354	0,56	7,2	369	0,38	4,0	388	0,23	2,0	418	0,13
	100	10	10	14	369	0,70	9,0	384	0,48	5,0	404	0,29	2,5	435	0,16
	75	7,5	10	19	306	0,75	12	397	0,64	6,7	417	0,38	3,3	449	0,21
	50	5,0	10	28	215	0,75	18	329	0,75	10	349	0,45	5,0	376	0,24
SK 1SI 63/H10	1000	100	10	1,4	179	0,10	0,9	186	0,07	0,50	196	0,04	0,25	211	0,02
SK 1SMI 63/H10	800	80	10	1,8	192	0,12	1,1	200	0,08	0,62	210	0,05	0,31	227	0,03
W	600	60	10	2,3	210	0,14	1,5	219	0,10	0,83	231	0,06	0,42	248	0,03
+	500	50	10	2,8	223	0,16	1,8	232	0,12	1,0	244	0,07	0,5	263	0,04
IEC	400	40	10	3,5	239	0,19	2,2	248	0,13	1,2	261	0,08	0,62	282	0,05
mm	300	30	10	4,7	260	0,26	3,0	271	0,18	1,7	285	0,11	0,83	307	0,06
⇒ G42	250	25	10	5,6	220	0,22	3,6	229	0,15	2,0	241	0,09	1,0	260	0,05
	200	20	10	7,0	234	0,28	4,5	244	0,19	2,5	257	0,11	1,2	276	0,06
	150	15	10	9,3	253	0,37	6	263	0,25	3,3	277	0,15	1,7	298	0,09
	125	12,5	10	11	209	0,33	7,2	218	0,23	4,0	229	0,14	2,0	247	0,07
	100	10	10	14	189	0,37	9,0	227	0,29	5,0	239	0,17	2,5	257	0,09
	75	7,5	10	19	145	0,37	12	227	0,37	6,7	248	0,23	3,3	267	0,12
	50	5,0	10	28	105	0,37	18	161	0,37	10	210	0,27	5,0	226	0,15
SK 1SI 50/H10	1000	100	10	1,4	101	0,06	0,9	105	0,04	0,50	110	0,02	0,25	119	0,01
SK 1SMI 50/H10	800	80	10	1,8	108	0,07	1,1	113	0,04	0,62	118	0,03	0,31	128	0,02
W	600	60	10	2,3	118	0,08	1,5	123	0,06	0,83	130	0,03	0,42	140	0,02
+	500	50	10	2,8	125	0,09	1,8	131	0,06	1,0	137	0,04	0,5	148	0,02
IEC	400	40	10	3,5	134	0,11	2,2	140	0,08	1,2	147	0,05	0,62	158	0,03
mm	300	30	10	4,7	146	0,15	3,0	152	0,10	1,7	160	0,06	0,83	173	0,03
⇒ G42	250	25	10	5,6	124	0,13	3,6	129	0,09	2,0	136	0,05	1,0	146	0,03
	200	20	10	7,0	132	0,16	4,5	137	0,11	2,5	144	0,07	1,2	155	0,03
	150	15	10	9,3	142	0,21	6,0	148	0,15	3,3	156	0,09	1,7	168	0,05
	125	12,5	10	11	118	0,19	7,2	122	0,13	4,0	129	0,08	2,0	139	0,04
	100	10	10	14	122	0,24	9,0	128	0,16	5,0	134	0,10	2,5	145	0,05
	75	7,5	10	19	127	0,33	12	132	0,22	6,7	139	0,13	3,3	150	0,07
	50	5,0	10	28	103	0,37	18	111	0,26	10	117	0,15	5,0	126	0,08
SK 1SI 40/H10	1000	100	10	1,4	56	0,03	0,9	58	0,02	0,50	61	0,01	0,25	66	0,01
SK 1SMI 40/H10	800	80	10	1,8	60	0,04	1,1	62	0,03	0,62	66	0,02	0,31	71	0,01
W	600	60	10	2,3	66	0,05	1,5	68	0,03	0,83	72	0,02	0,42	78	0,01
+	500	50	10	2,8	70	0,06	1,8	72	0,04	1,0	76	0,02	0,5	82	0,01
IEC	400	40	10	3,5	75	0,07	2,2	78	0,05	1,2	82	0,03	0,62	88	0,02
mm	300	30	10	4,7	81	0,09	3,0	85	0,06	1,7	89	0,04	0,83	96	0,02
⇒ G42	250	25	10	5,6	69	0,07	3,6	72	0,05	2,0	75	0,03	1,0	81	0,02
	200	20	10	7,0	73	0,09	4,5	76	0,06	2,5	80	0,04	1,2	87	0,02
	150	15	10	9,3	79	0,12	6,0	82	0,08	3,3	87	0,05	1,7	93	0,03
	125	12,5	10	11	66	0,11	7,2	69	0,08	4,0	72	0,04	2,0	78	0,02
	100	10	10	14	69	0,14	9,0	72	0,09	5,0	75	0,06	2,5	81	0,03
	75	7,5	10	19	72	0,19	12	75	0,13	6,7	79	0,07	3,3	85	0,04
	50	5,0	10	28	62	0,22	18	64	0,15	10	68	0,09	5,0	73	0,05

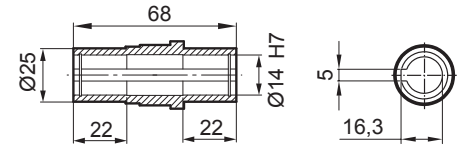
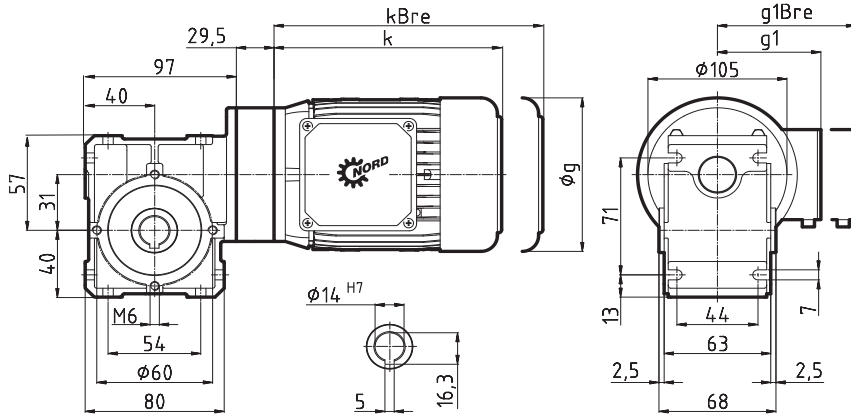

Double worm gear units
W + IEC

	i_{Total}	i_{sch}	i_{vor}	$n_1 = 1400 \text{ r/min}$			$n_1 = 900 \text{ r/min}$			$n_1 = 500 \text{ r/min}$			$n_1 = 250 \text{ r/min}$		
				n_2	M_{2max}	P_{emax}	n_2	M_{2max}	P_{emax}	n_2	M_{2max}	P_{emax}	n_2	M_{2max}	P_{emax}
				[r/min]	[Nm]	[kW]	[r/min]	[Nm]	[kW]	[r/min]	[Nm]	[kW]	[r/min]	[Nm]	[kW]
SK 1SI 75/40 SK 1SMI 75/40	3000	30	100	0,47	427	0,13	0,30	443	0,03	0,17	486	0,02	0,08	513	0,01
	2400	30	80	0,58	423	0,14	0,38	431	0,03	0,21	473	0,02	0,10	506	0,01
	1800	30	60	0,78	416	0,16	0,50	426	0,04	0,28	450	0,03	0,14	495	0,01
W	1500	30	50	0,93	411	0,17	0,60	422	0,05	0,33	432	0,03	0,17	486	0,02
+	1200	30	40	1,2	402	0,19	0,75	417	0,06	0,42	429	0,04	0,21	473	0,02
	900	30	30	1,6	388	0,22	1,0	408	0,08	0,56	424	0,05	0,28	450	0,03
IEC	750	30	25	1,9	382	0,23	1,2	401	0,10	0,67	420	0,06	0,33	432	0,03
	600	30	20	2,3	375	0,25	1,5	390	0,12	0,83	414	0,07	0,42	429	0,04
$\frac{H}{mm}$	450	30	15	3,1	364	0,3	2,0	380	0,15	1,1	404	0,09	0,56	424	0,05
	375	30	12,5	3,7	358	0,36	2,4	374	0,17	1,3	396	0,10	0,67	420	0,06
\Rightarrow 	300	30	10	4,7	351	0,37	3,0	365	0,24	1,7	384	0,19	0,83	414	0,07
	225	30	7,5	6,2	340	0,37	4,0	356	0,24	2,2	377	0,19	1,1	404	0,07
	150	30	5,0	9,3	320	0,37	6,0	341	0,24	3,3	361	0,19	1,7	384	0,07
SK 1SI 63/31 SK 1SMI 63/31	3000	30	100	0,47	316	0,11	0,30	328	0,02	0,17	360	0,01	0,08	380	0,01
	2400	30	80	0,58	313	0,12	0,38	319	0,03	0,21	350	0,02	0,10	375	0,01
	1800	30	60	0,78	308	0,13	0,50	316	0,04	0,28	333	0,02	0,14	367	0,01
W	1500	30	50	0,93	304	0,15	0,60	313	0,04	0,33	320	0,03	0,17	360	0,01
+	1200	30	40	1,2	298	0,16	0,75	309	0,05	0,42	318	0,03	0,21	350	0,02
	900	30	30	1,6	288	0,19	1,0	302	0,07	0,56	314	0,04	0,28	333	0,02
IEC	750	30	25	1,9	283	0,19	1,2	297	0,08	0,67	311	0,05	0,33	320	0,03
	600	30	20	2,3	278	0,21	1,5	289	0,10	0,83	307	0,06	0,42	318	0,03
$\frac{H}{mm}$	450	30	15	3,1	270	0,26	2,0	281	0,13	1,1	299	0,08	0,56	314	0,04
	375	30	12,5	3,7	265	0,29	2,4	277	0,15	1,3	294	0,09	0,67	311	0,05
\Rightarrow 	300	30	10	4,7	260	0,32	3,0	271	0,18	1,7	285	0,11	0,83	307	0,06
	225	30	7,5	6,2	251	0,37	4,0	264	0,24	2,2	279	0,19	1,1	299	0,07
	150	30	5,0	9,3	237	0,37	6,0	253	0,24	3,3	267	0,19	1,7	285	0,07
SK 1SI 50/31 SK 1SMI 50/31	3000	30	100	0,47	178	0,06	0,30	185	0,01	0,17	203	0,01	0,08	214	0
	2400	30	80	0,58	176	0,07	0,38	179	0,02	0,21	197	0,01	0,10	211	0,01
	1800	30	60	0,78	173	0,07	0,50	178	0,02	0,28	188	0,01	0,14	206	0,01
W	1500	30	50	0,93	171	0,08	0,60	176	0,02	0,33	180	0,01	0,17	203	0,01
+	1200	30	40	1,2	168	0,09	0,75	174	0,03	0,42	179	0,02	0,21	197	0,01
	900	30	30	1,6	162	0,11	1,0	170	0,04	0,56	177	0,02	0,28	188	0,01
IEC	750	30	25	1,9	159	0,11	1,2	167	0,05	0,67	175	0,03	0,33	180	0,01
	600	30	20	2,3	156	0,12	1,5	163	0,06	0,83	173	0,03	0,42	179	0,02
$\frac{H}{mm}$	450	30	15	3,1	152	0,15	2,0	158	0,07	1,1	168	0,04	0,56	177	0,02
	375	30	12,5	3,7	149	0,17	2,4	156	0,09	1,3	165	0,05	0,67	175	0,03
\Rightarrow 	300	30	10	4,7	146	0,18	3,0	152	0,10	1,7	160	0,06	0,83	173	0,03
	225	30	7,5	6,2	141	0,22	4,0	148	0,13	2,2	157	0,08	1,1	168	0,04
	150	30	5,0	9,3	133	0,30	6,0	142	0,18	3,3	150	0,11	1,7	160	0,06
SK 1SI 40/31 SK 1SMI 40/31	3000	30	100	0,47	99	0,03	0,30	102	0,01	0,17	112	0	0,08	119	0
	2400	30	80	0,58	98	0,04	0,38	100	0,01	0,21	109	0,01	0,10	117	0
	1800	30	60	0,78	96	0,04	0,50	99	0,01	0,28	104	0,01	0,14	115	0
W	1500	30	50	0,93	95	0,05	0,60	98	0,01	0,33	100	0,01	0,17	112	0
+	1200	30	40	1,2	93	0,05	0,75	97	0,02	0,42	99	0,01	0,21	109	0,01
	900	30	30	1,6	90	0,06	1,0	94	0,02	0,56	98	0,01	0,28	104	0,01
IEC	750	30	25	1,9	88	0,06	1,2	93	0,03	0,67	97	0,02	0,33	100	0,01
	600	30	20	2,3	87	0,07	1,5	90	0,03	0,83	96	0,02	0,42	99	0,01
$\frac{H}{mm}$	450	30	15	3,1	84	0,09	2,0	88	0,04	1,1	94	0,03	0,56	98	0,01
	375	30	12,5	3,7	83	0,10	2,4	87	0,05	1,3	92	0,03	0,67	97	0,02
\Rightarrow 	300	30	10	4,7	81	0,11	3,0	85	0,06	1,7	89	0,04	0,83	96	0,02
	225	30	7,5	6,2	79	0,13	4,0	82	0,08	2,2	87	0,05	1,1	94	0,03
	150	30	5,0	9,3	74	0,18	6,0	79	0,11	3,3	83	0,06	1,7	89	0,04

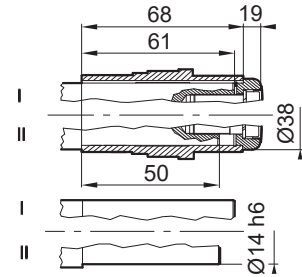
SK 1SI31 IEC ...



Worm gear unit motor

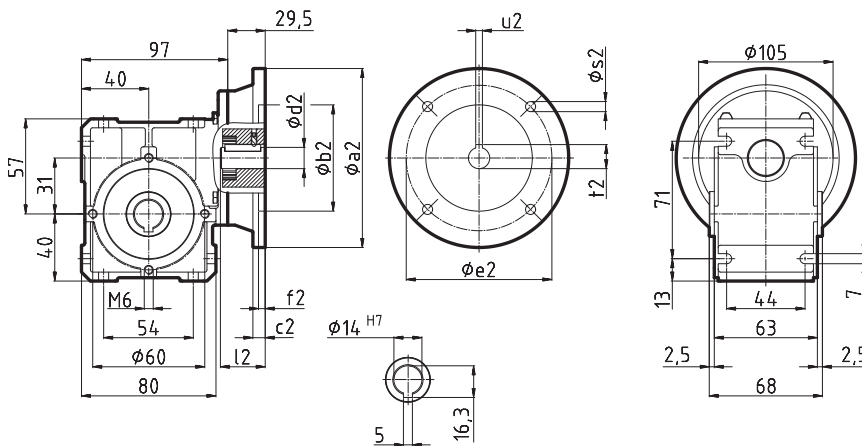


SK 1SI 31 B



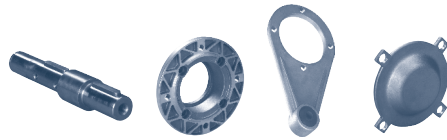
± ↔ A60	SK 1SI 31 IEC63 63 SP/LP	SK 1SI 31 IEC71 71 SP/LP
g	130	145
g1	115	124
g1Bre	123	133
k	192	214
kBre	248	272

Worm gear unit for attachment to IEC standard motors

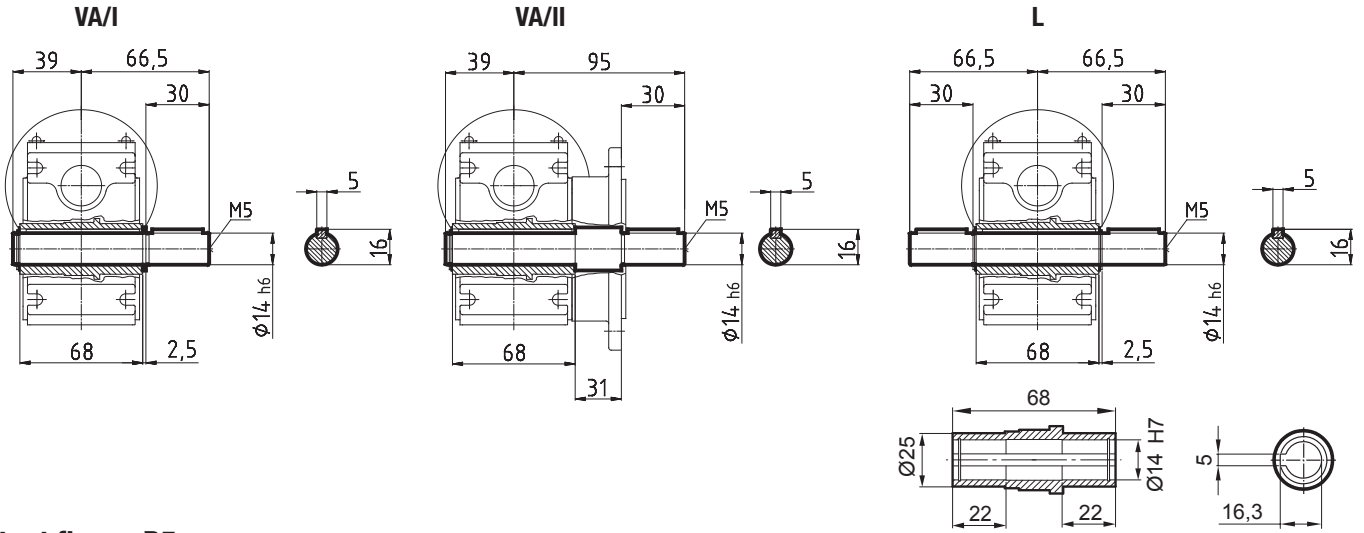


IEC-standard motor-adapter

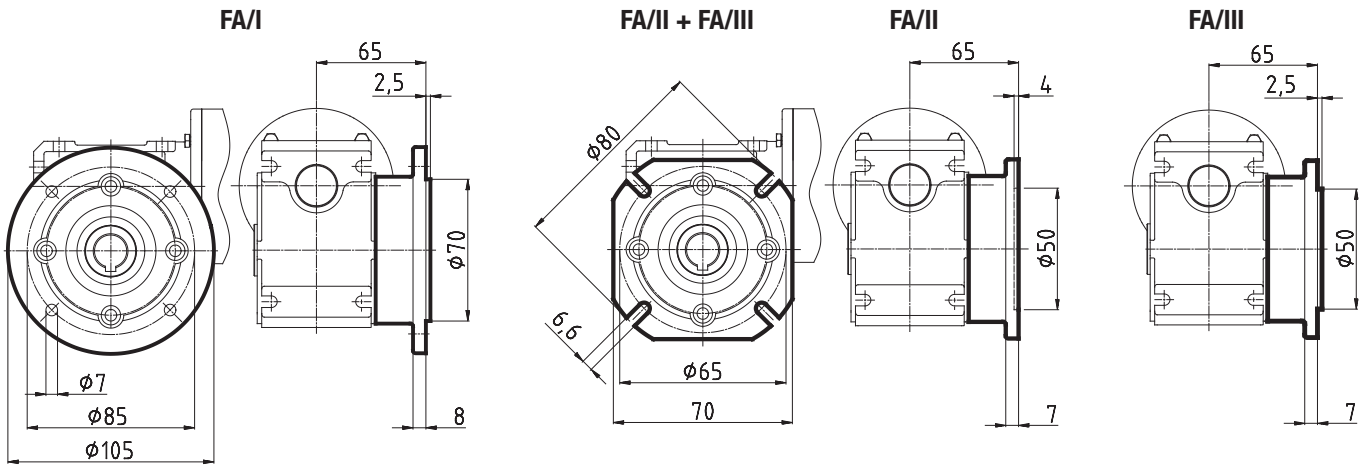
IEC	Ø a2	Ø b2	Ø c2	Ø d2	Ø e2	f2	l2	Ø s2	t2	u2
56 - C105	105	70	-	9	85	3	20	7	11,4	3
56 - A120	120	80	-	9	100	3,5	20	7	11,4	3
63 - C90	90	60	-	11	75	3-	-23	5,5	12,8	4
63 - C120	120	80	-	11	100	3,5	23	7	12,8	4
63 - A140	140	95	8	11	115	3,5	23	9	12,8	4
71 - C105	105	70	-	14	85	3	30	7	16,3	5
71 - C140	140	95	-	14	115	3,5	30	9	16,3	5



Plug-in shafts

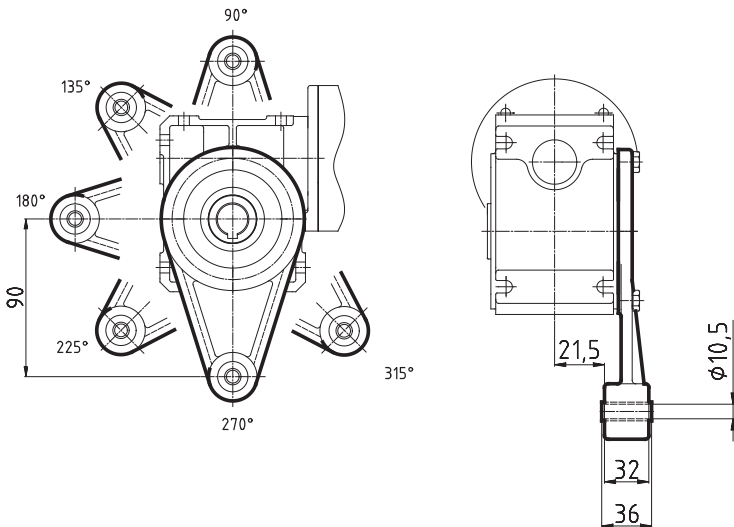


Output flange B5



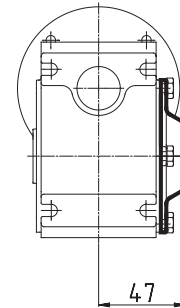
Torque support

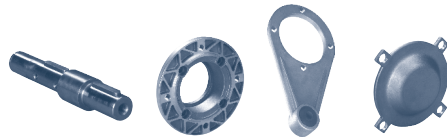
DA/I 90 .. DA/I 315



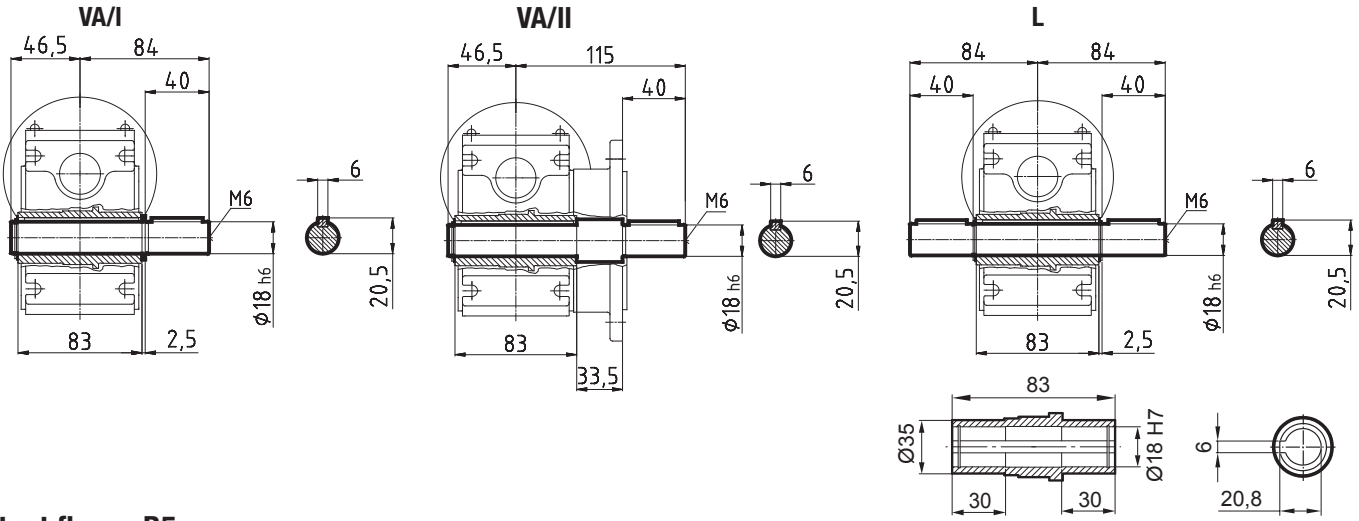
Covering cap

HA

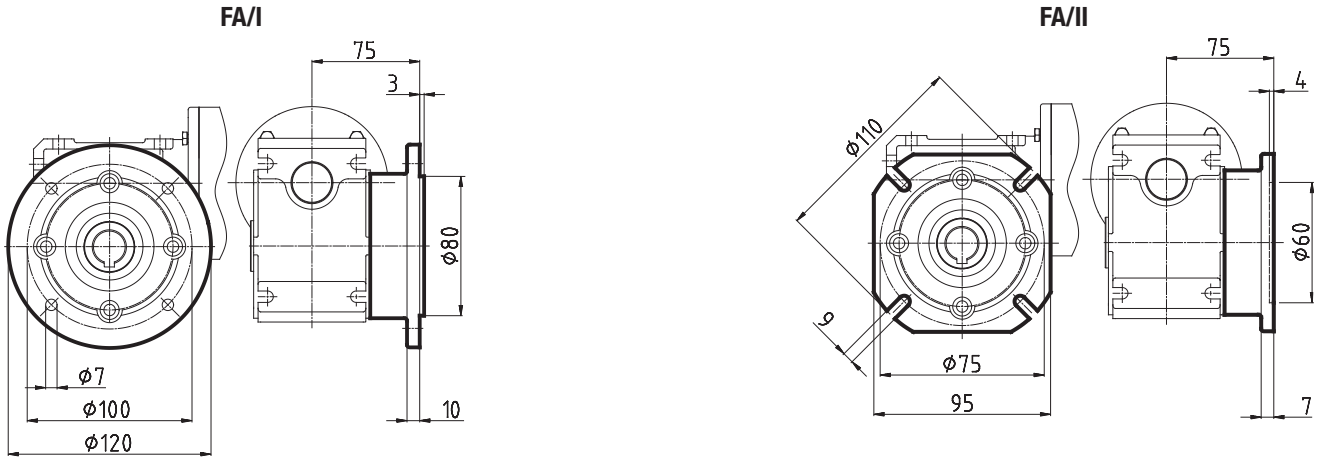




Plug-in shafts



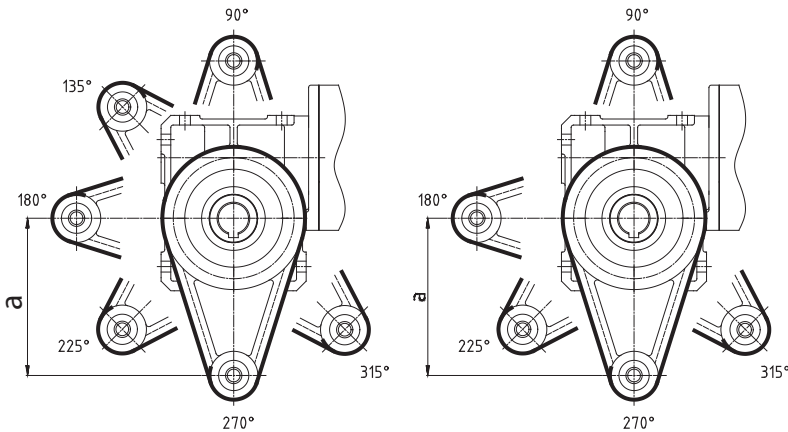
Output flange B5



Torque support

DA/I 90 .. DA/I 315

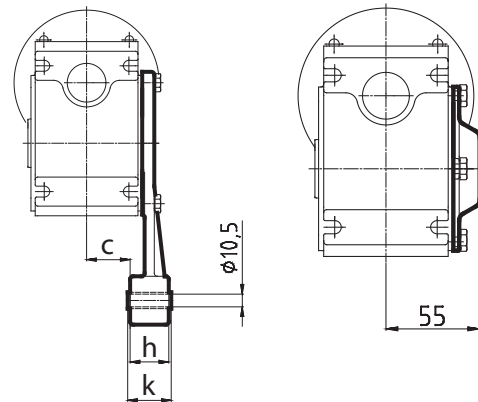
DA/III 90 .. DA/III 315

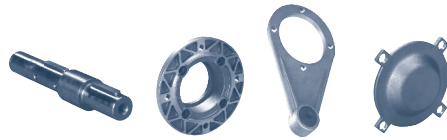


	a	c	h	k
I	130	29	32	36
III	100	34	14	14

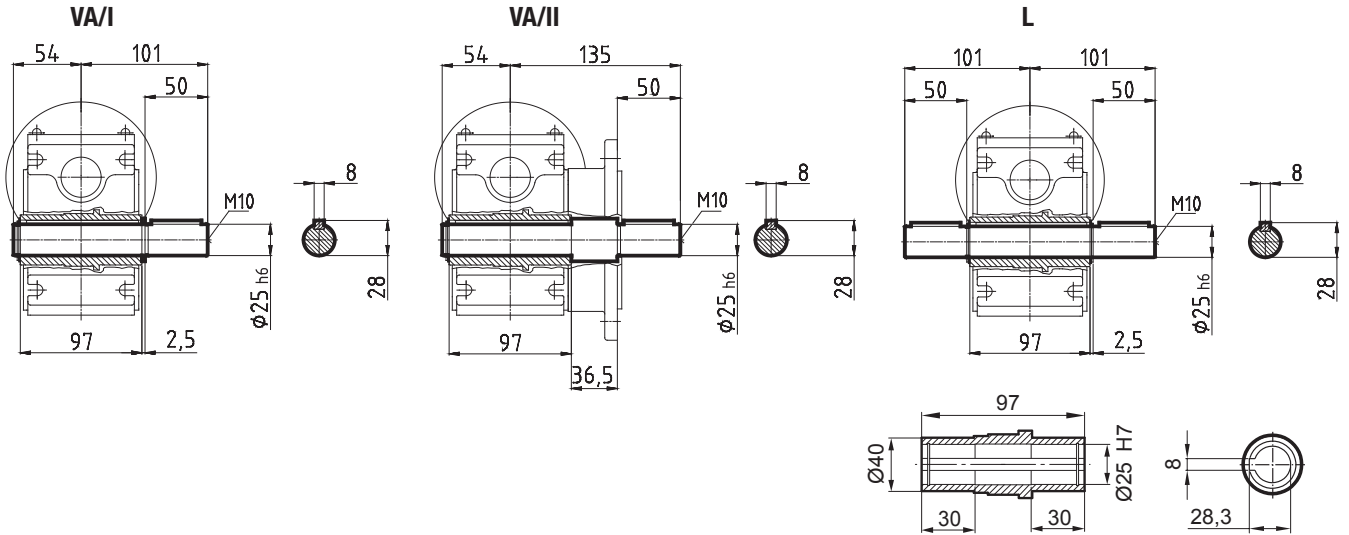
Covering cap

HA

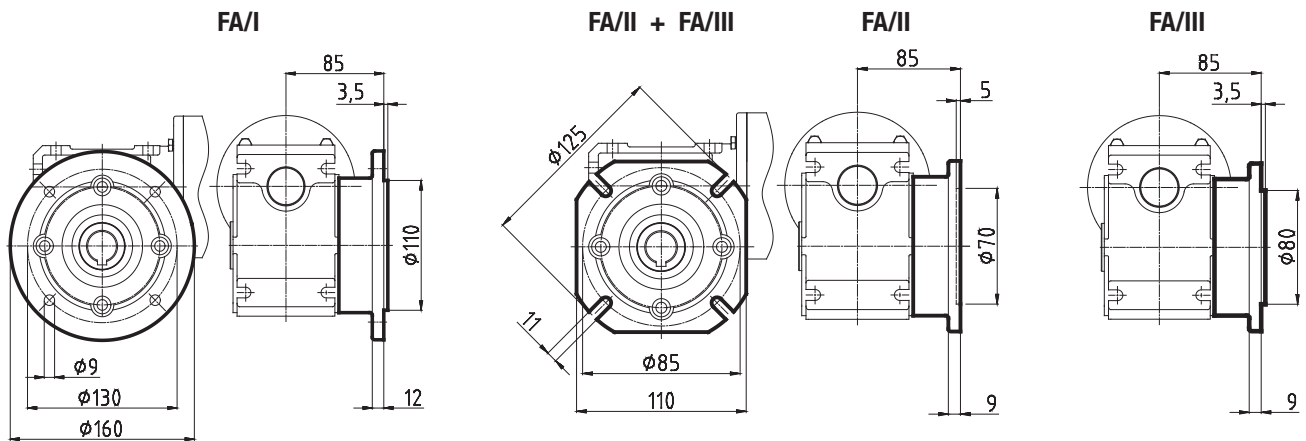




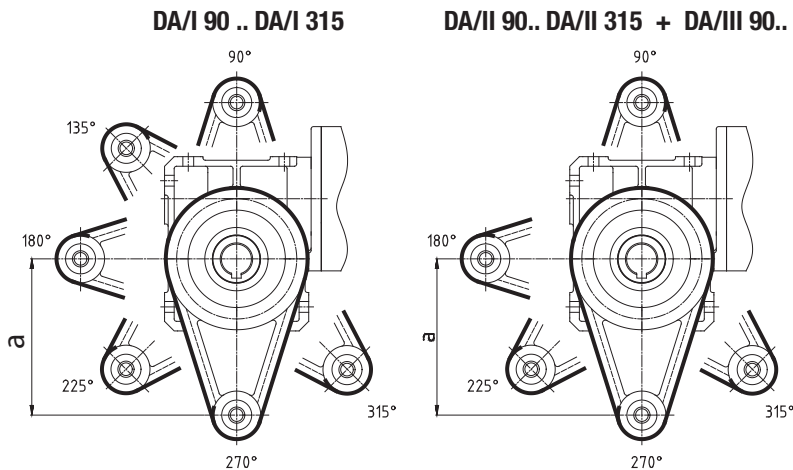
Plug-in shafts



Output flange B5

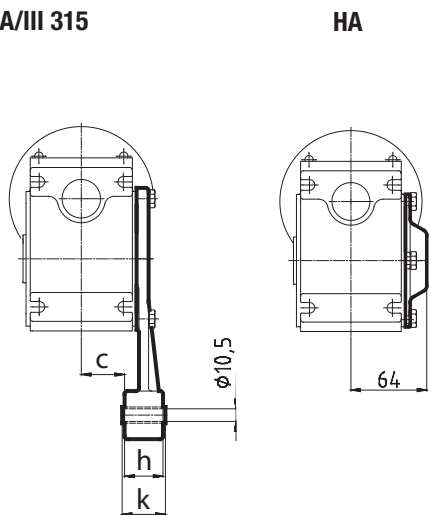


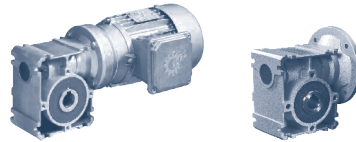
Torque support



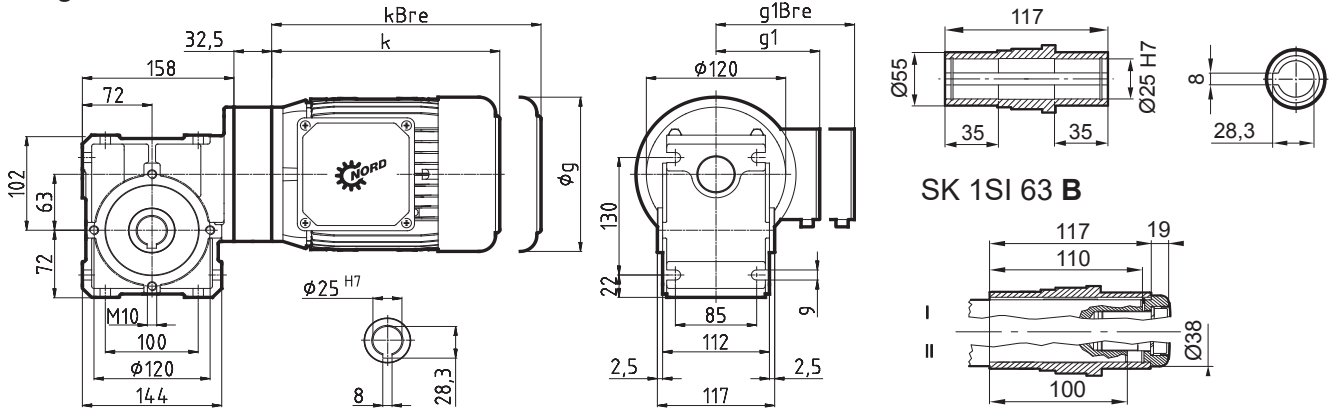
	a	c	h	k
I	130	36	32	36
II	110	41	14	14
III	100	41	14	14

Covering cap

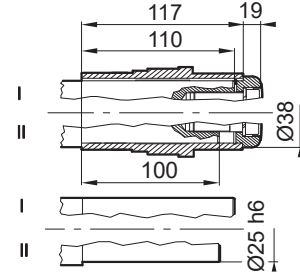




Worm gear unit motor

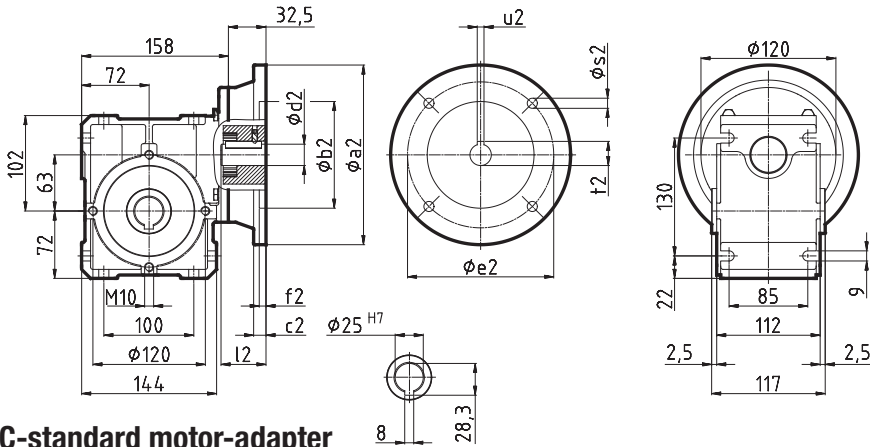


SK 1SI 63 B



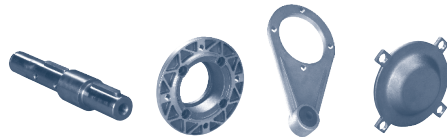
± ⇄ A60	SK 1SI 63 IEC63 63 SP/LP	SK 1SI 63 IEC71 71 SP/LP	SK 1SI 63 IEC80 80 LP	SK 1SI 63 IEC90 90 SP/LP
g	130	145	165	183
g1	116	124	142	147
g1Bre	124	133	143	148
k	192	214	236	276
kBre	248	272	300	351

Worm gear unit for attachment to IEC standard motors

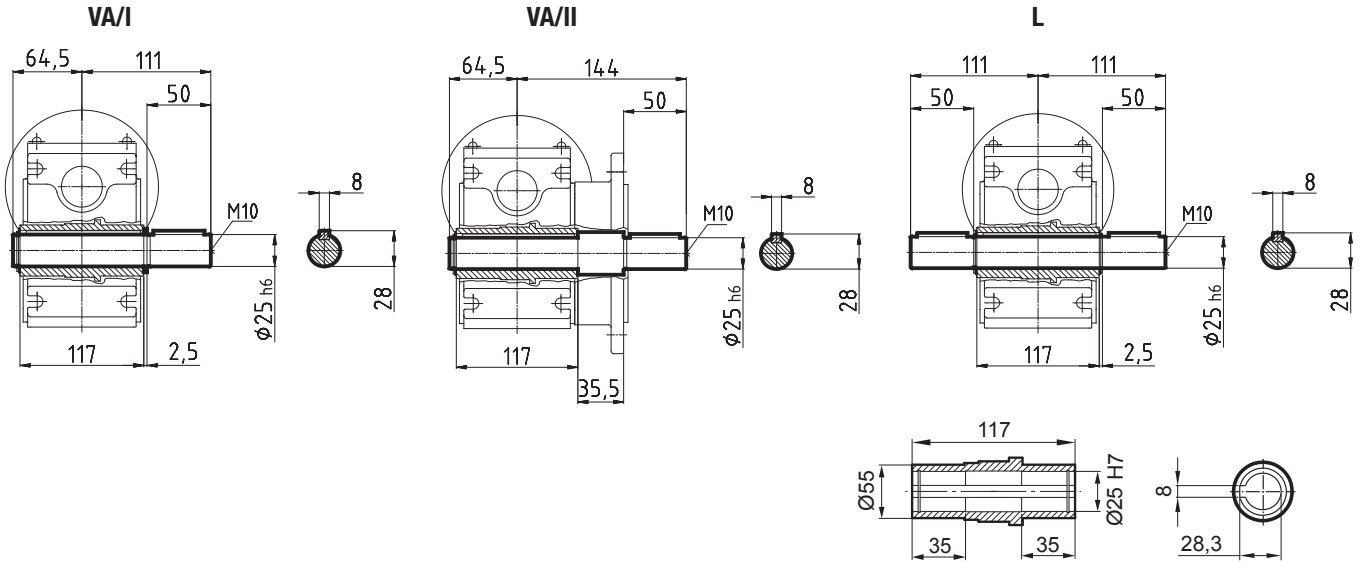


IEC-standard motor-adaptor

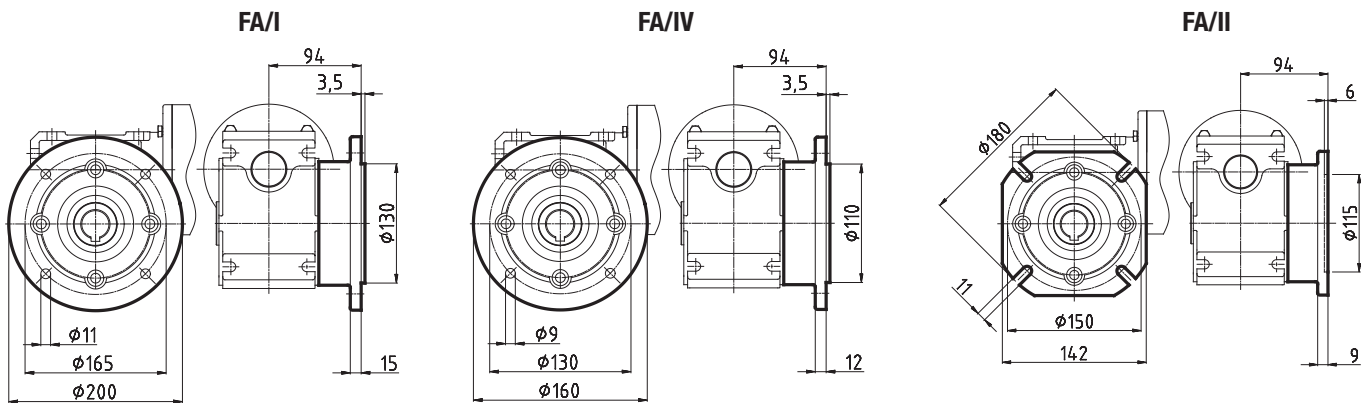
IEC	Ø a2	Ø b2	Ø c2	Ø d2	Ø e2	f2	l2	Ø s2	t2	u2
56 - C105	105	70	-	9	85	3	20	7	11,4	3
56 - A120	120	80	-	9	100	3,5	20	7	11,4	3
63 - C90	90	60	-	11	75	3	23	6	12,8	4
63 - C120	120	80	-	11	100	3,5	23	7	12,8	4
63 - A140	140	95	8	11	115	3,5	23	9	12,8	4
71 - C105	105	70	-	14	85	3	30	7	16,3	5
71 - C140	140	95	-	14	115	3,5	30	9	16,3	5
71 - C160	160	110	8	14	130	4	30	9	16,3	5
80 - C120	120	80	-	19	100	3,5	40	7	21,8	6
80 - C160	160	110	8	19	130	4	40	9	21,8	6
80 - A200	200	130	20	19	165	4	40	M10	21,8	6
90 - C140	140	95	-	24	115	3,5	50	9	27,3	8
90 - C160	160	110	8	24	130	4	50	9	27,3	8
90 - A200	200	130	20	24	165	4	50	M10	27,3	8



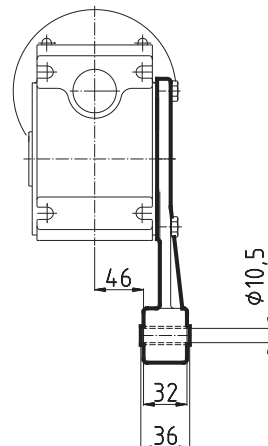
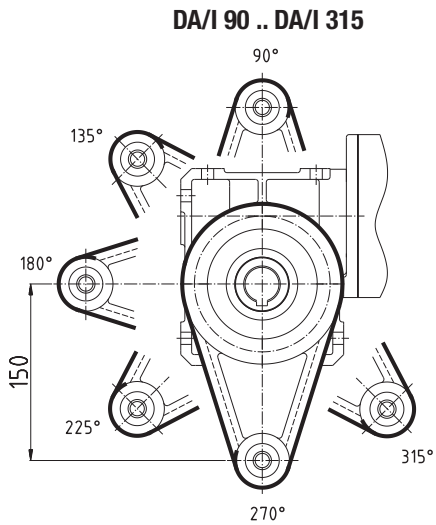
Plug-in shafts



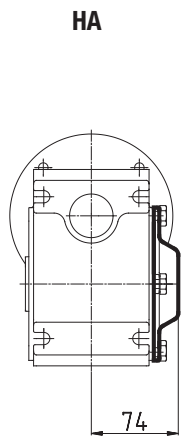
Output flange B5



Torque support

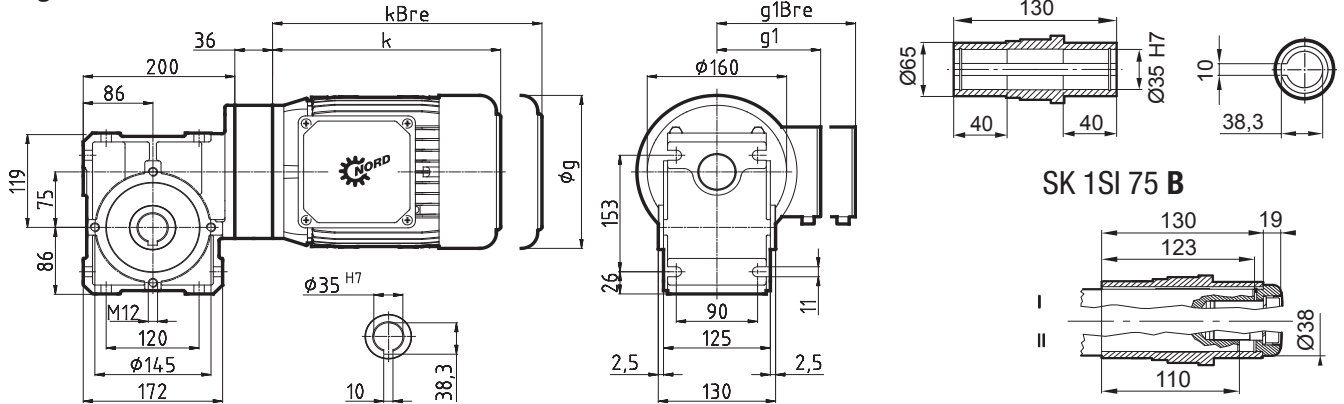


Covering cap

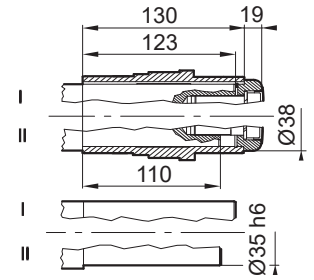




Worm gear unit motor

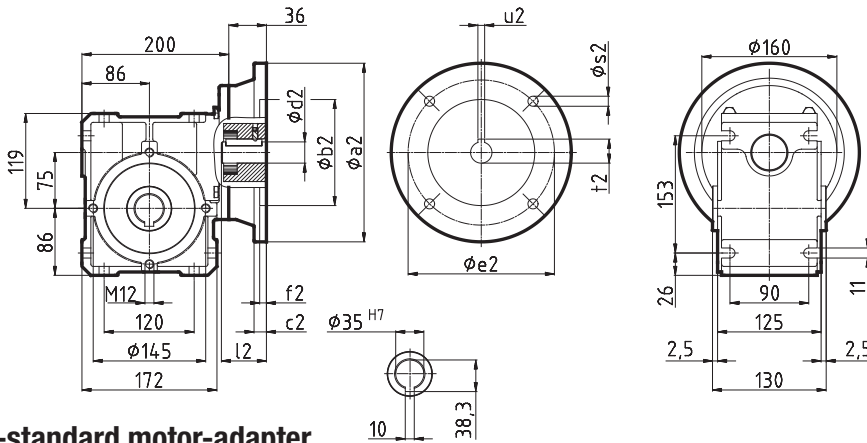


SK 1SI 75 B



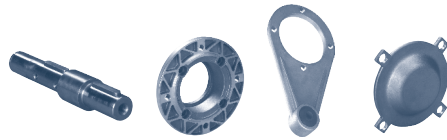
± ⇄ A60	SK 1SI 75 IEC71 71 SP/LP	SK 1SI 75 IEC80 80 LP	SK 1SI 75 IEC90 90 SP/LP	SK 1SI 75 IEC100 90 LP/AP	SK 1SI 75 IEC112 112 MP
g	145	165	183	201	228
g1	124	142	147	169	179
g1Bre	133	143	148	159	170
k	214	236	276	306	351
kBre	272	300	351	397	444

Worm gear unit for attachment to IEC standard motors

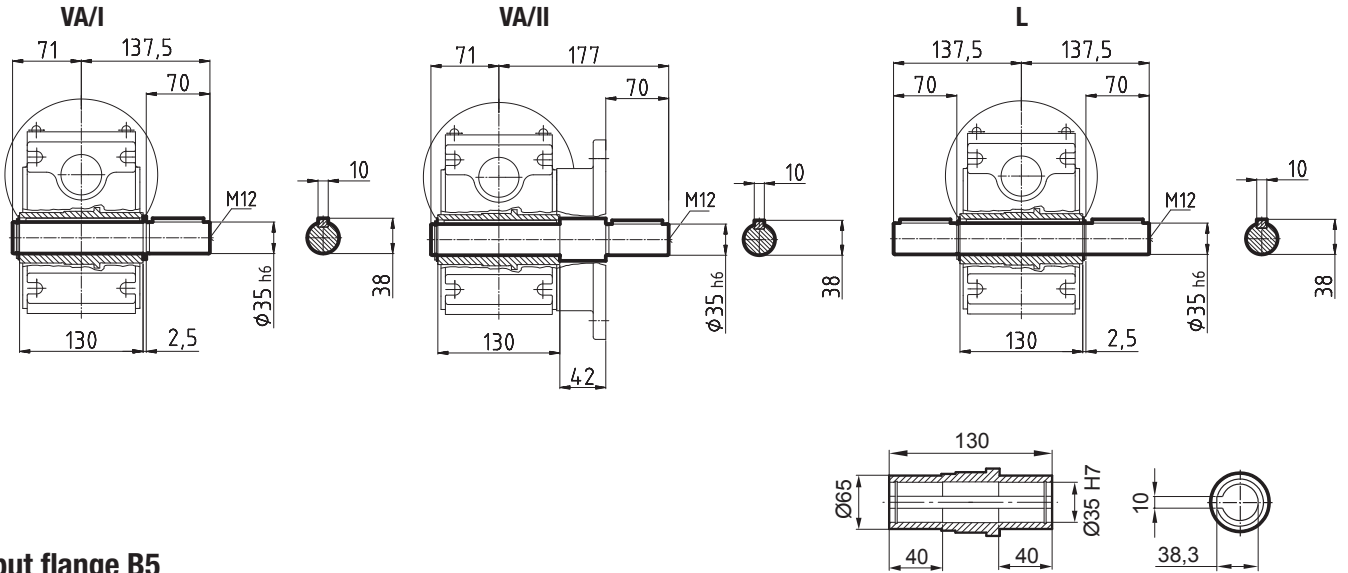


IEC-standard motor-adapter

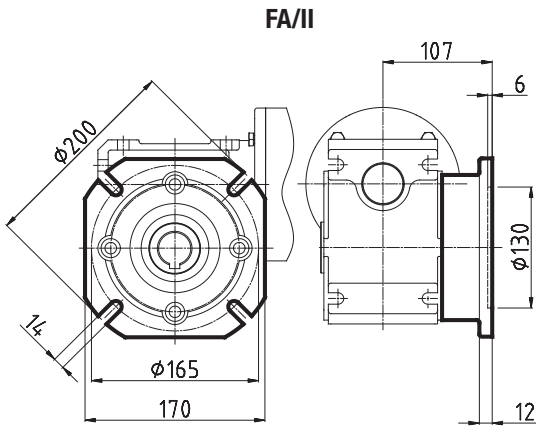
IEC	∅ a2	∅ b2	∅ c2	∅ d2	∅ e2	f2	l2	∅ s2	t2	u2
71 - C105	105	70	-	14	85	3	30	7	16,3	5
71 - C140	140	95	-	14	115	3,5	30	9	16,3	5
71 - C160	160	110	8	14	130	4	30	9	16,3	5
80 - C120	120	80	-	19	100	3,5	40	7	21,8	6
80 - C160	160	110	8	19	130	4	40	9	21,8	6
80 - A200	200	130	20	19	165	4	40	11	21,8	6
90 - C140	140	95	-	24	115	3,5	50	9	27,3	8
90 - C160	160	110	8	24	130	4	50	9	27,3	8
90 - A200	200	130	20	24	165	4	50	11	27,3	8
100 - C160	160	110	-	28	130	4	60	9	31,3	8
100 - C200	200	130	-	28	165	4	60	11	31,3	8
100 - A250	250	180	12	28	215	5	60	M12	31,3	8
112 - C160	160	110	-	28	130	5	60	9	31,3	8
112 - C200	200	130	-	28	165	5	60	11	31,3	8
112 - A250	250	180	12	28	215	5	60	M12	31,3	8



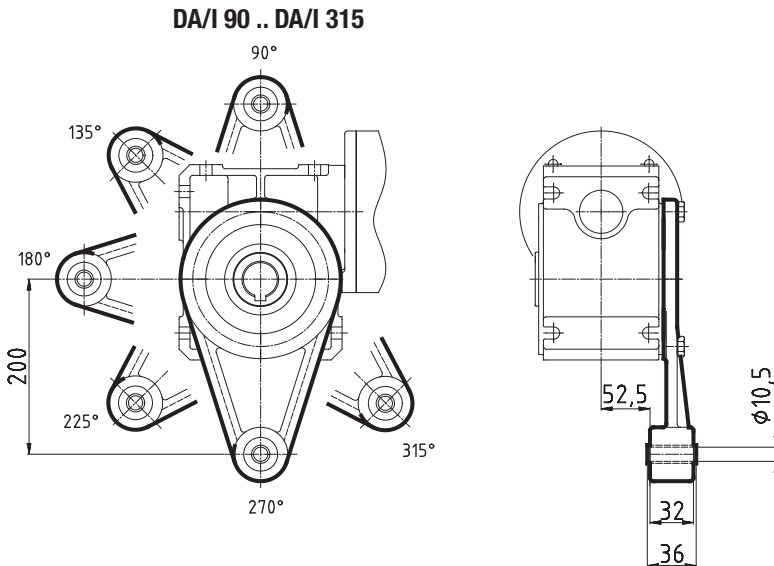
Plug-in shafts



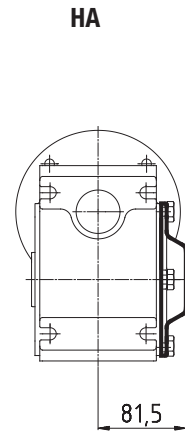
Output flange B5



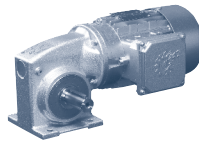
Torque support



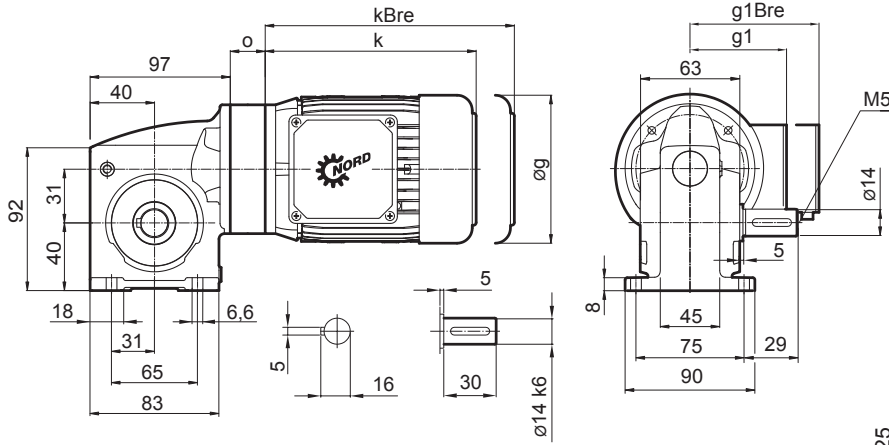
Covering cap



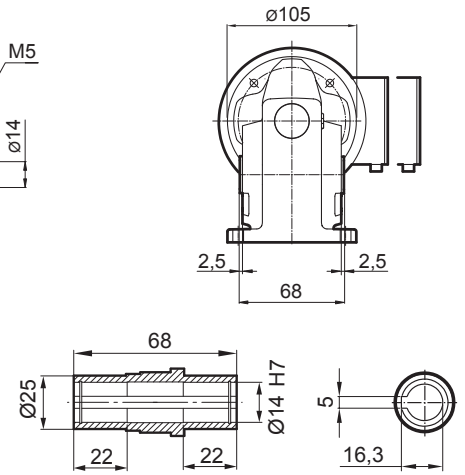
SK 1SMI 31



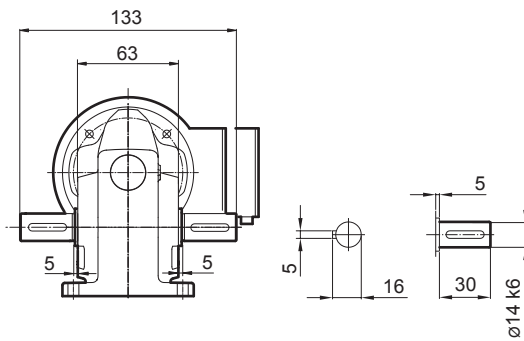
SK 1SMI 31 VX



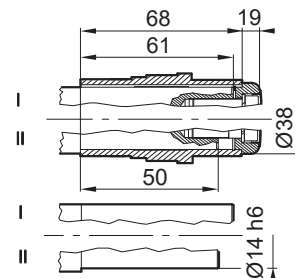
SK 1SMI 31 AX



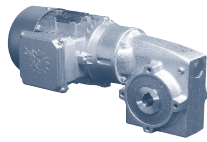
SK 1SMI 31 LX



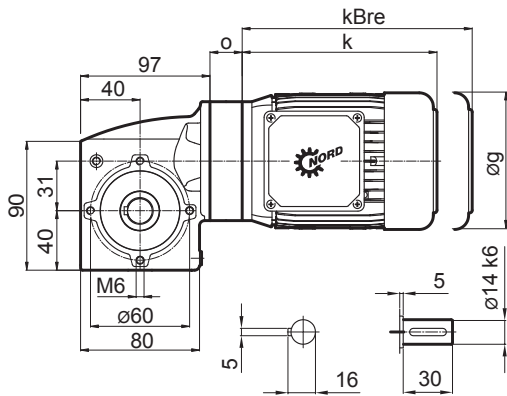
SK 1SMI 31 AXB(AZB)



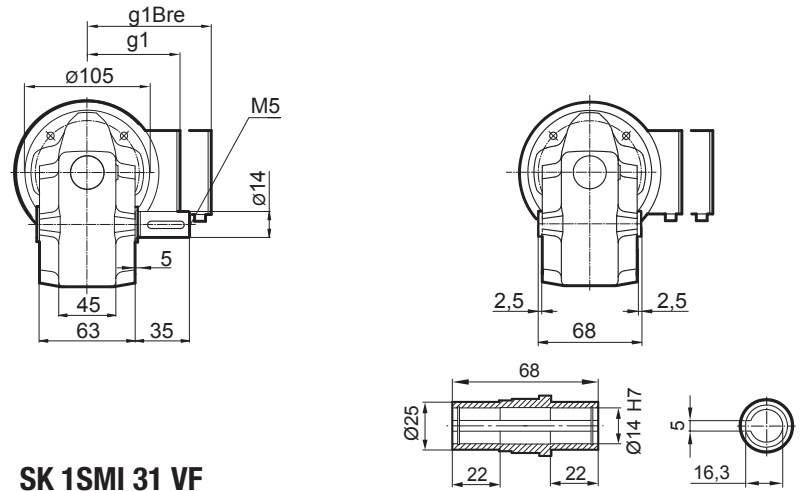
$\pm \rightarrow$ A60	63 SP/LP	71 SP/LP
g	130	145
g1	116	124
g1Bre	124	133
k	192	214
kBre	248	272
o	29,5	29,5



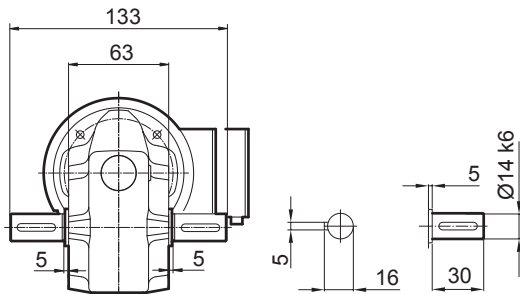
SK 1SMI 31 VZ



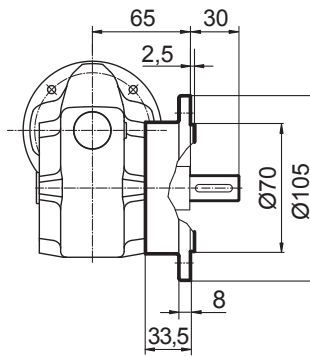
SK 1SMI 31 AZ



SK 1SMI 31 LZ

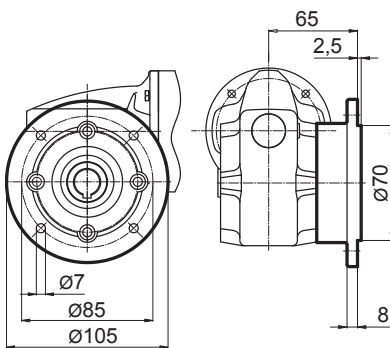


SK 1SMI 31 VF

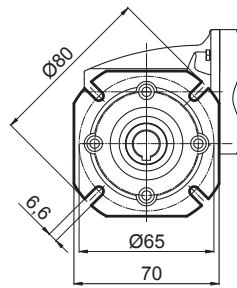


Output flange B5

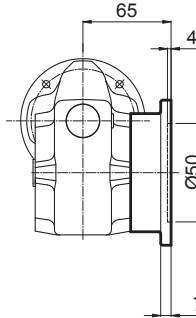
FA/I



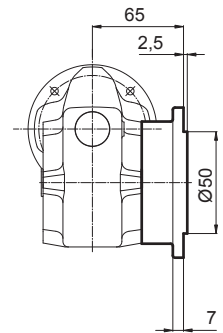
FA/II + F/III



FA/II

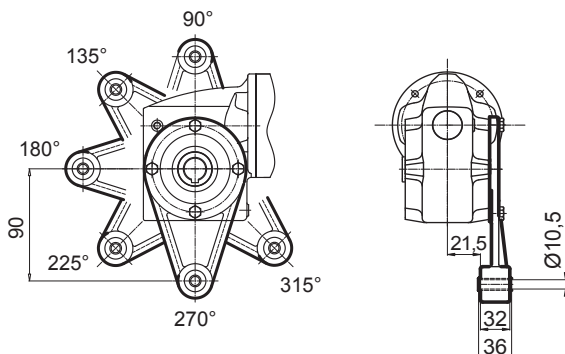


FA/III



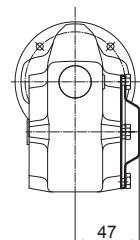
Torque support

DA/I 90 .. DA/I 315

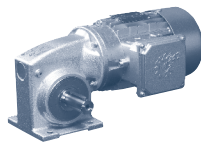


Covering cap

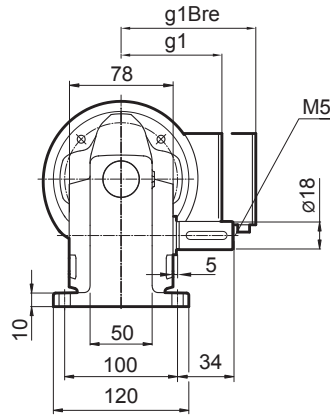
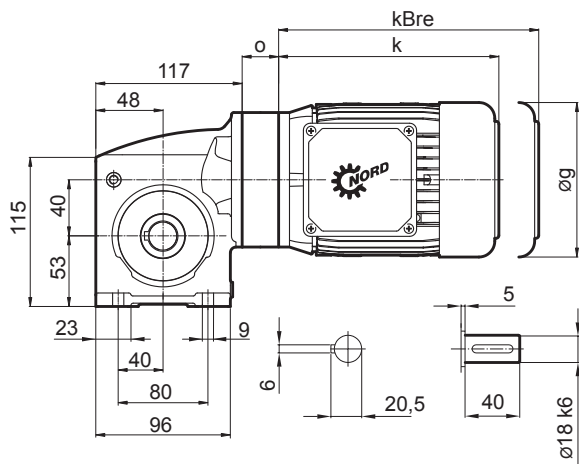
HA



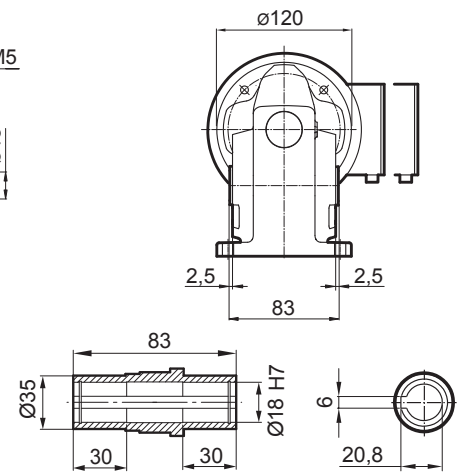
SK 1SMI 40



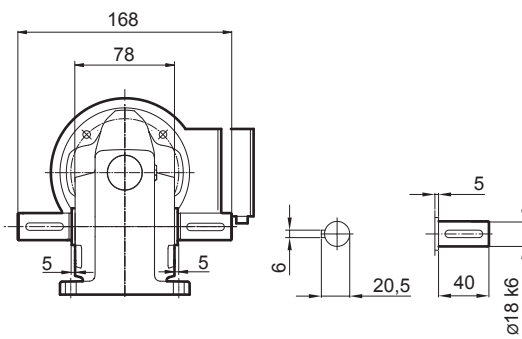
SK 1SMI 40 VX



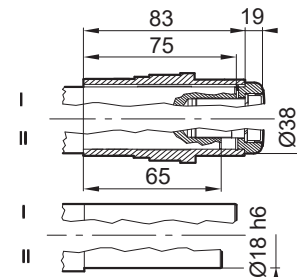
SK 1SMI 40 AX



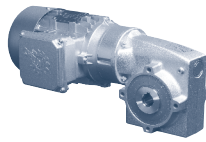
SK 1SMI 40 LX



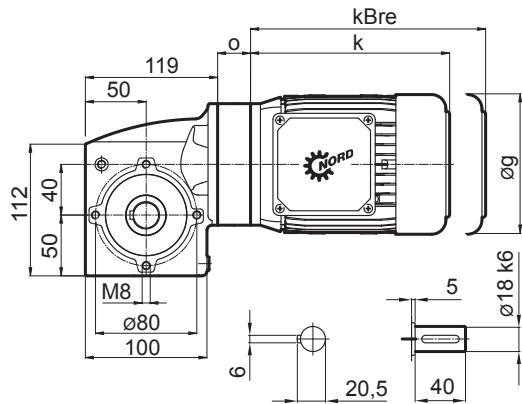
SK 1SMI 40 AXB(AZB)



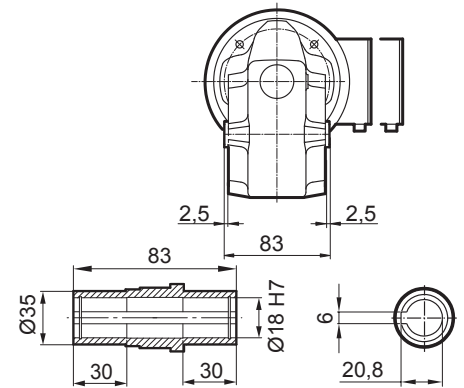
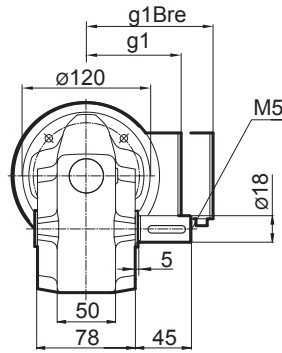
$\pm \rightarrow$ A60	63 SP/LP	71 SP/LP	80 LP
g	130	145	165
g1	116	124	142
g1Bre	124	133	143
k	192	214	236
kBre	248	272	300
o	29,5	29,5	32,5



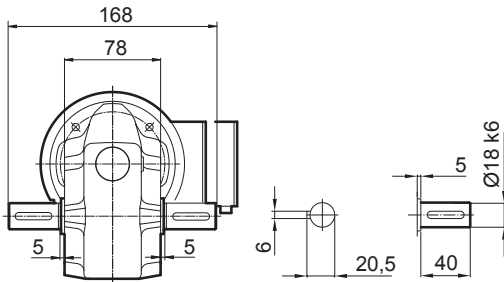
SK 1SMI 40 VZ



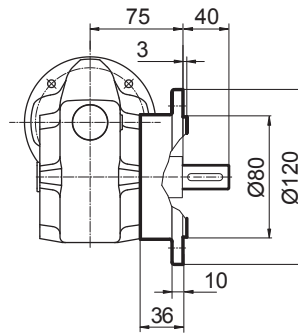
SK 1SMI 40 AZ



SK 1SMI 40 LZ

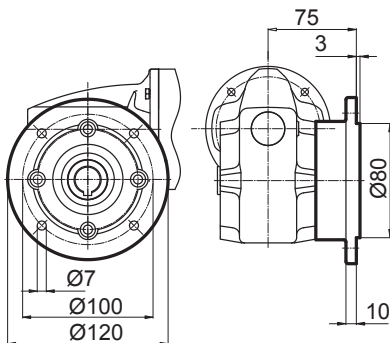


SK 1SMI 40 VF

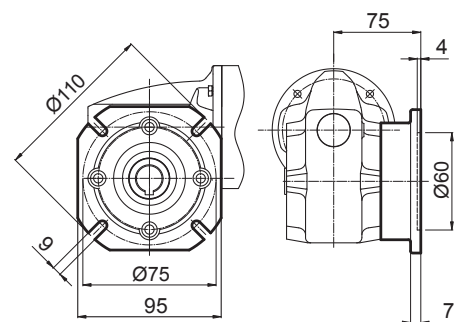


Output flange B5

FA/I

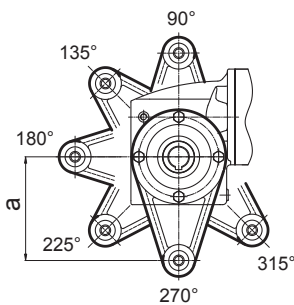


FA/II

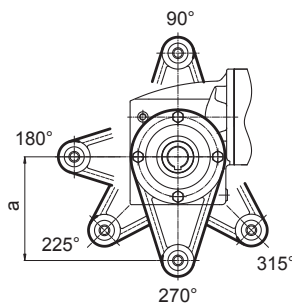


Torque support

DA/I 90 ... DA/I 315



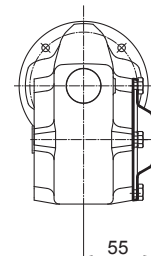
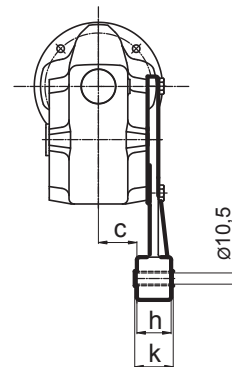
DA/III 90 ... DA/III 315



	a	c	h	k
I	130	29	32	36
III	100	34	14	14

Covering cap

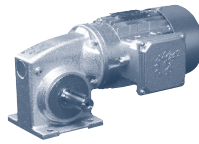
HA



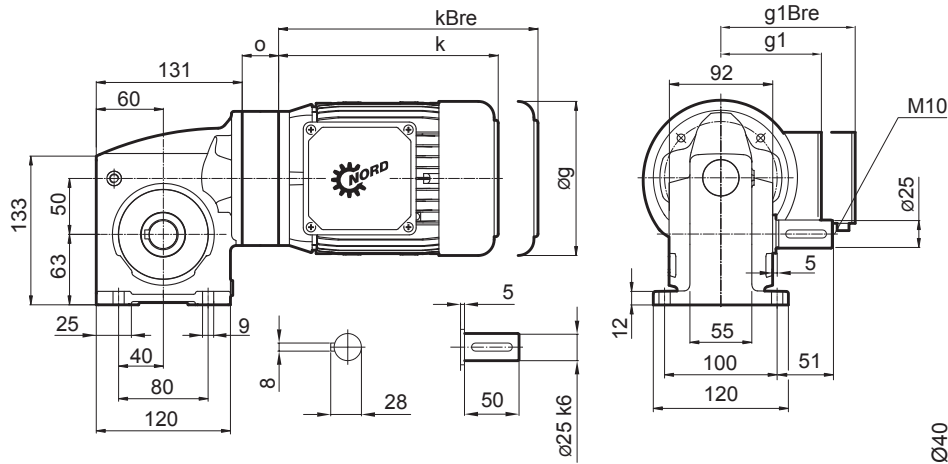
Note:

If $h = k$, then there is no metal tube inside the elastic rubber buffer. The material of the rubber buffer is made of 100% elastic rubber.

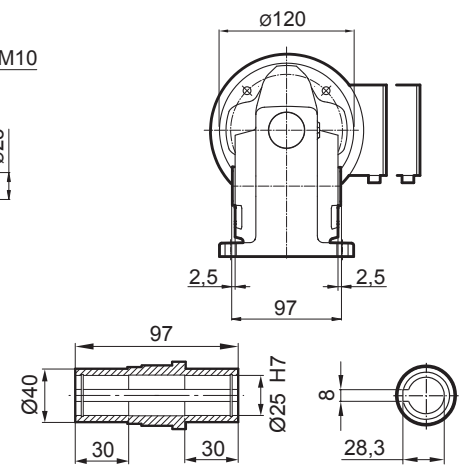
SK 1SMI 50



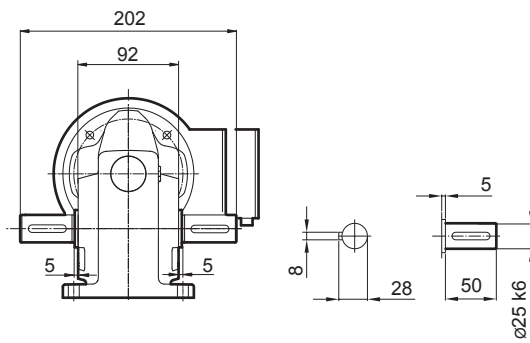
SK 1SMI 50 VX



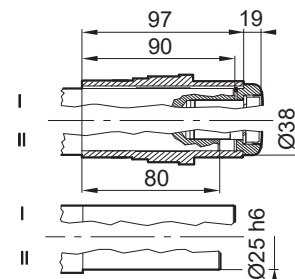
SK 1SMI 50 AX



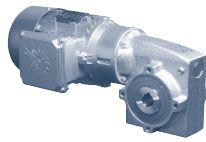
SK 1SMI 50 LX



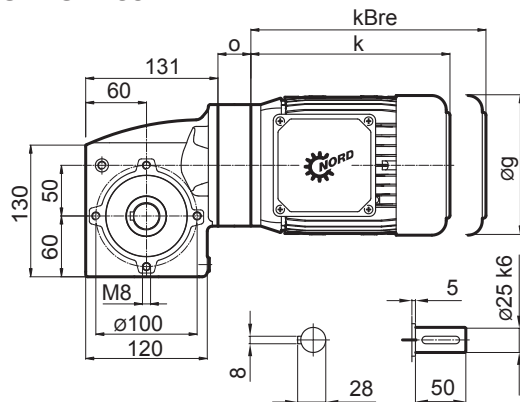
SK 1SMI 50 AXB(AZB)



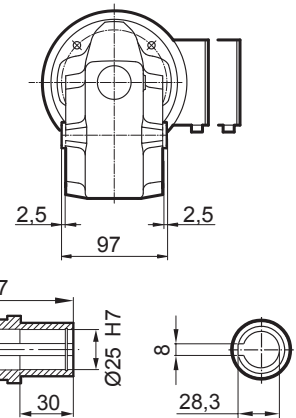
$\pm \Rightarrow$ A60	63 SP/LP	71 SP/LP	80 LP	90 SP/LP
g	130	145	165	183
g1	116	124	142	147
g1Bre	124	133	143	148
k	192	214	236	276
kBre	248	272	300	351
o	29,5	29,5	32,5	45,5



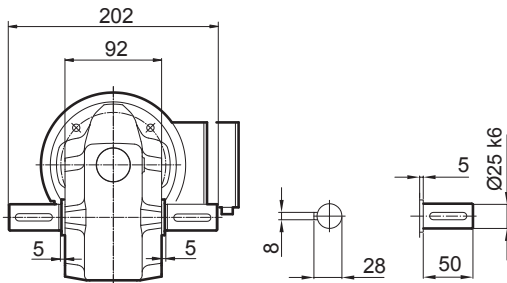
SK 1SMI 50 VZ



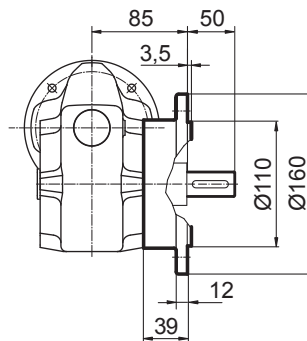
SK 1SMI 50 AZ



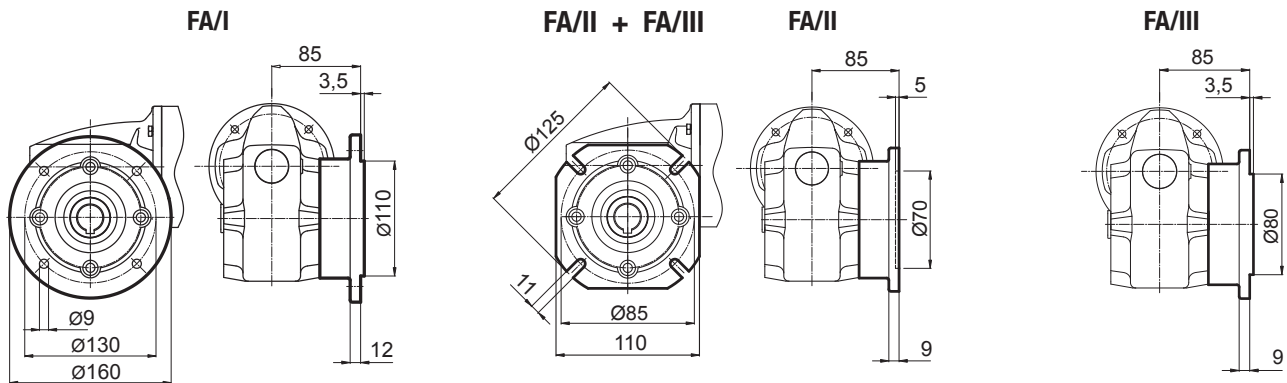
SK 1SMI 50 LZ



SK 1SMI 50 VF

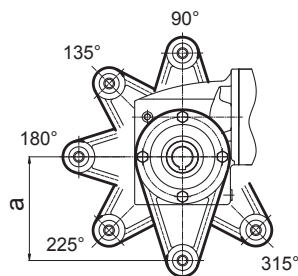


Output flange B5

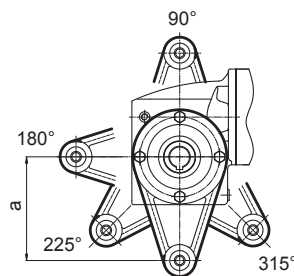


Torque support

DA/I 90 ... DA/I 315



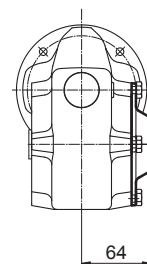
DA/II 90.. DA/II 315 + DA/III 90.. DA/III 315



	a	c	h	k
I	130	36	32	36
II	110	41	14	14
III	100	41	14	14

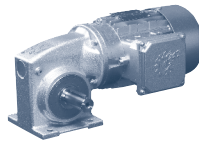
Covering cap

HA

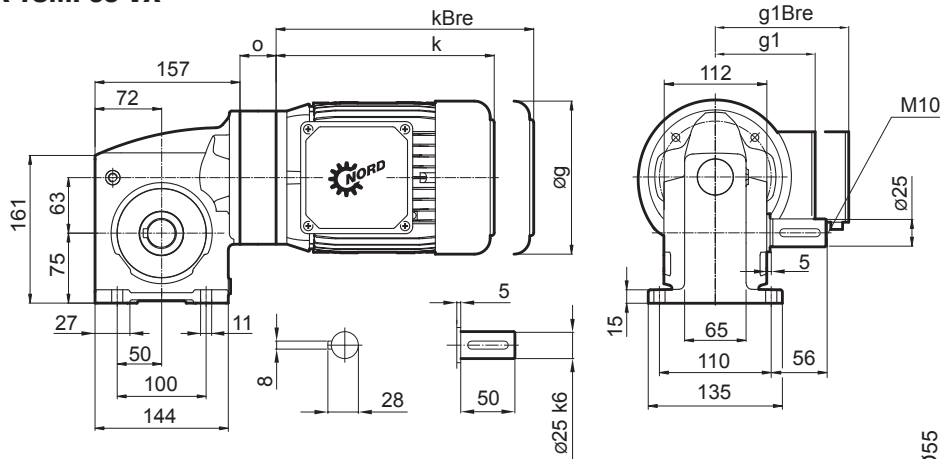


Note:
If $h = k$, then there is no metal tube inside the elastic rubber buffer. The material of the rubber buffer is made of 100% elastic rubber.

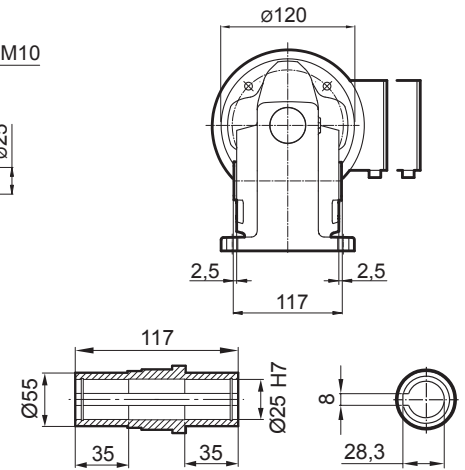
SK 1SMI 63



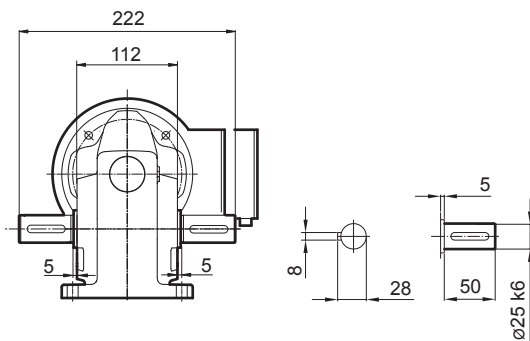
SK 1SMI 63 VX



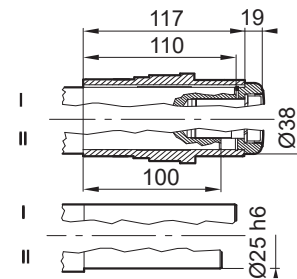
SK 1SMI 63 AX



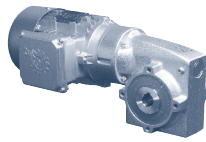
SK 1SMI 63 LX



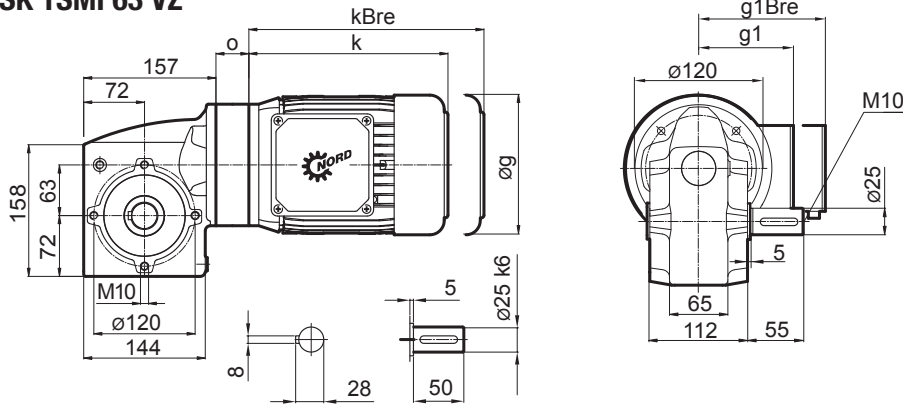
SK 1SMI 63 AXB(AZB)



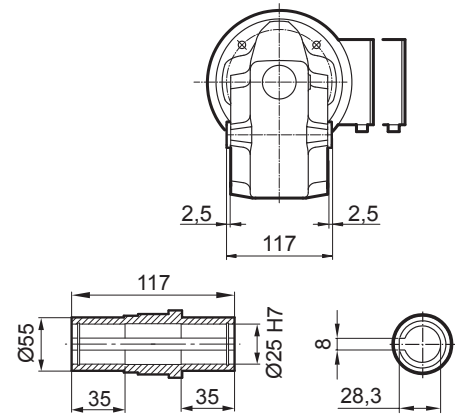
$\pm \Rightarrow$ A60	63 SP/LP	71 SP/LP	80 LP	90 SP/LP
g	130	145	165	183
g1	116	124	142	147
g1Bre	124	133	143	148
k	192	214	236	276
kBre	248	272	300	351
o	32,5	32,5	32,5	32,5



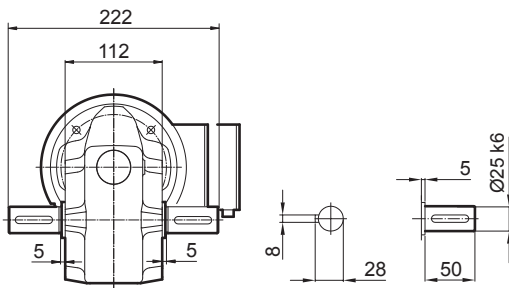
SK 1SMI 63 VZ



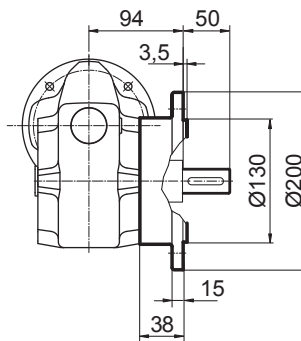
SK 1SMI 63 AZ



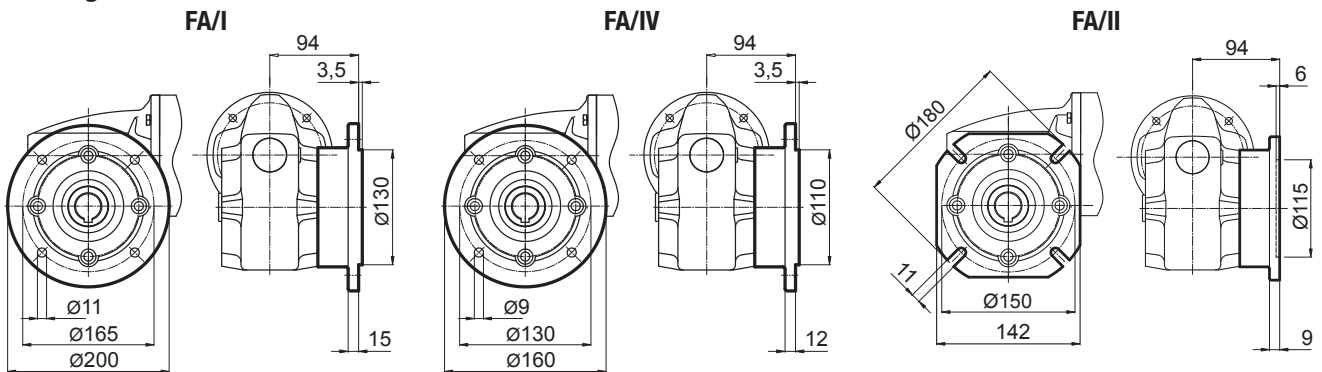
SK 1SMI 63 LZ



SK 1SMI 63 VF

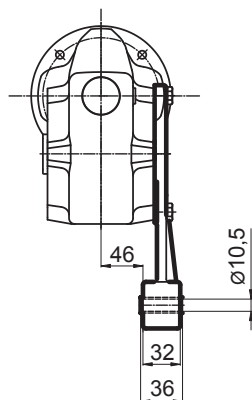
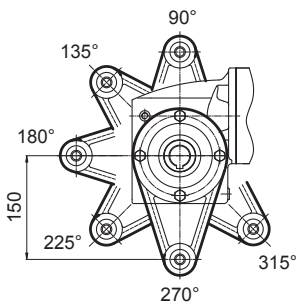


Output flange B5



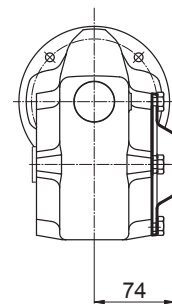
Torque support

DA/I 90 ... DA/I 315

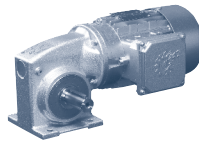


Covering cap

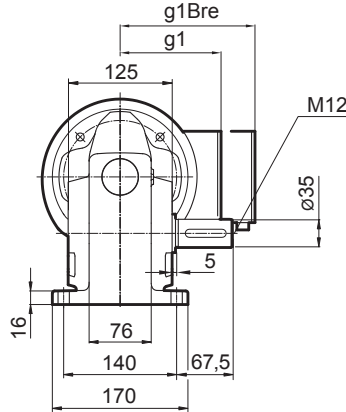
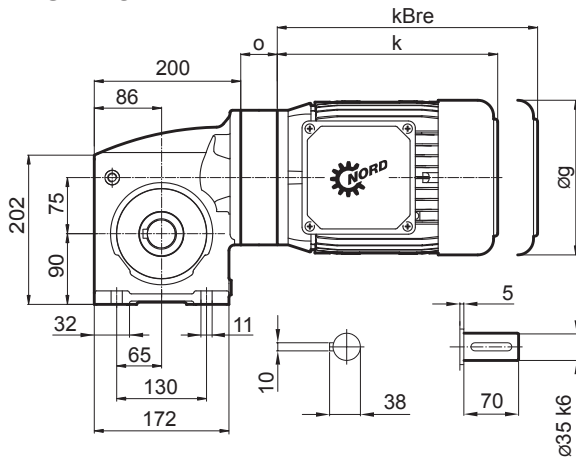
HA



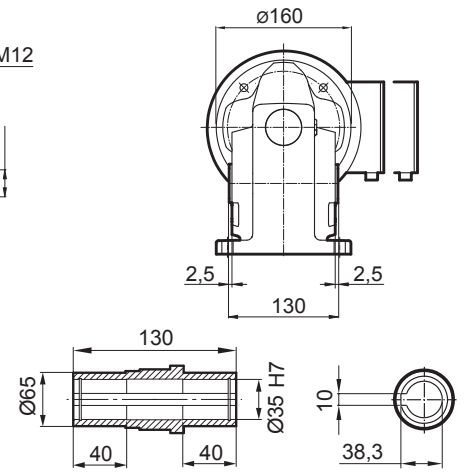
SK 1SMI 75



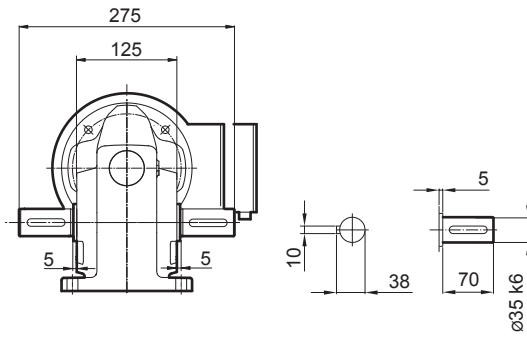
SK 1SMI 75 VX



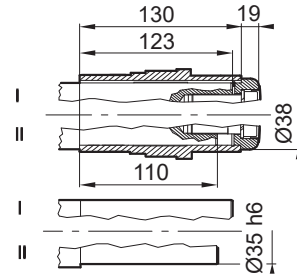
SK 1SMI 75 AX



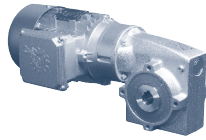
SK 1SMI 75 LX



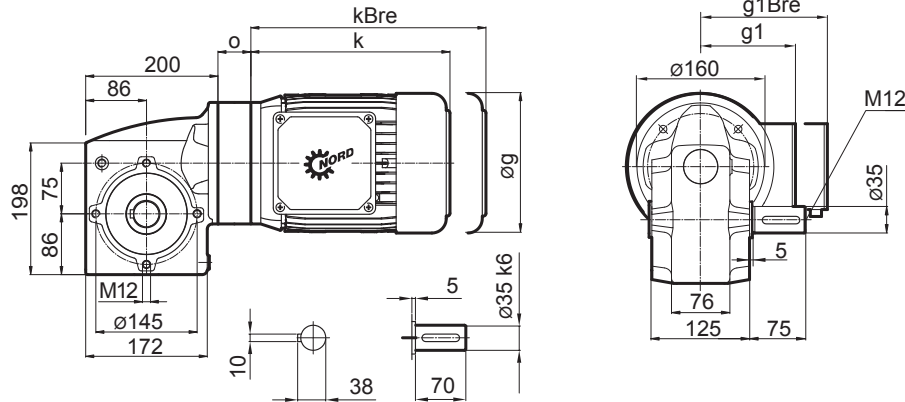
SK 1SMI 75 AXB(AZB)



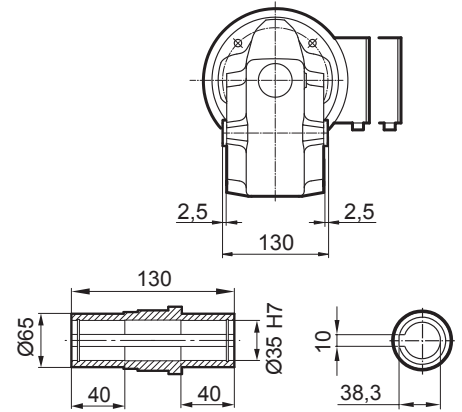
± ⇄ A60	71 SP/LP	80 LP	90 SP/LP	100 SP/LP	112 MP
g	145	165	183	201	228
g1	124	142	147	169	179
g1Bre	133	143	148	159	170
k	214	236	276	306	351
kBre	272	300	351	397	444
o	36	36	36	36	36



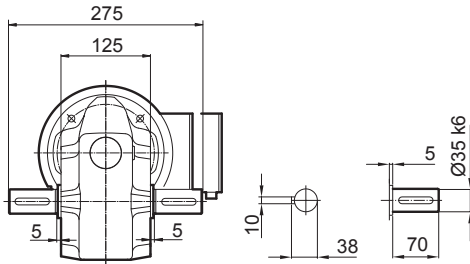
SK 1SMI 75 VZ



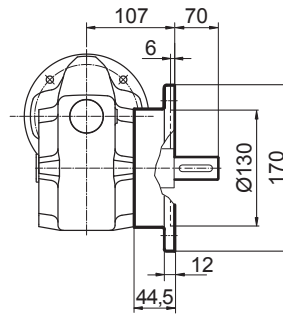
SK 1SMI 75 AZ



SK 1SMI 75 LZ

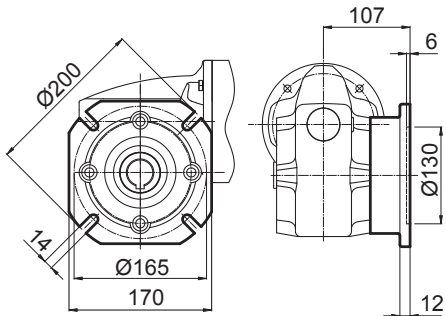


SK 1SMI 75 VF



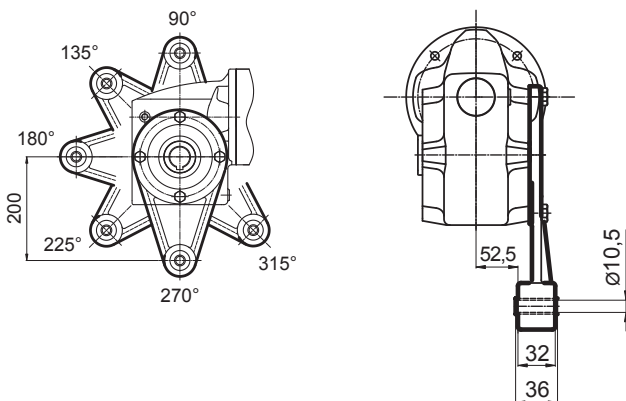
Output flange B5

FA/II



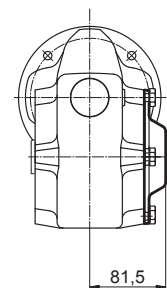
Torque support

DA/I 90 ... DA/I 315

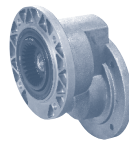


Covering cap

HA



SK 1SI 40 ... 50 ... 63/H10 SK 1SMI 40 ... 50 ... 63/H10

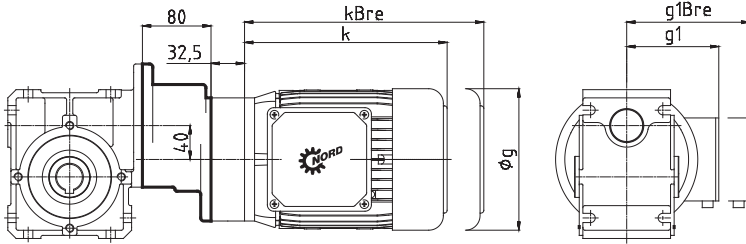


Helical input stage Type H10

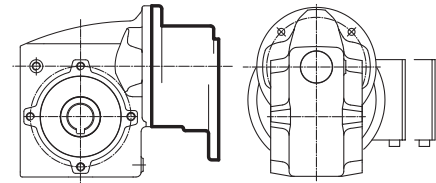
The helical input stage has a speed ratio $i=10$ and can be attached to the UNIVERSAL SI worm gear units SK 1SI40, SK 1SI50, and SK 1SI63 as well as for the UNIVERSAL SMI worm gear units SK 1SMI40, SK 1SMI50, and SK 1SMI63. The helical input enables the configuration of 2-stage helical worm gear drives.

Helical worm gear motors

SK 1SI...



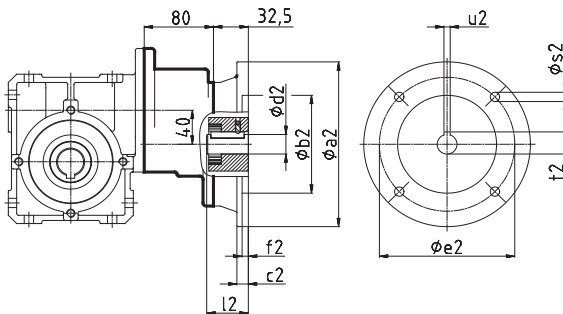
SK 1SMI...



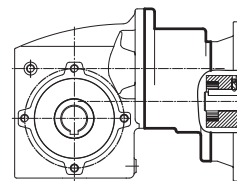
$\pm \Rightarrow$ A60	63 SP/LP	71 SP/LP
g	130	145
g1	115	124
g1Bre	123	133
k	192	214
kBre	248	272

Helical worm gear unit for attachment to IEC standard motors

SK 1SI...

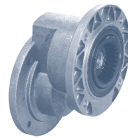


SK 1SMI...



IEC-standard motor-adapter

IEC	$\phi a2$	$\phi b2$	$\phi c2$	$\phi d2$	$\phi e2$	f2	l2	$\phi s2$	t2	u2
56 - C105	105	70	-	9	85	3	20	7	11,4	3
56 - A120	120	80	-	9	100	3,5	20	7	11,4	3
63 - C90	90	60	-	11	75	3	23	6	12,8	4
63 - C120	120	80	-	11	100	3,5	23	7	12,8	4
63 - A140	140	95	8	11	115	3,5	23	9	12,8	4
71 - C105	105	70	-	14	85	3	30	7	16,3	5
71 - C140	140	95	-	14	115	3,5	30	9	16,3	5
71 - C160	160	110	8	14	130	4	30	9	16,3	5
80 - C120	120	80	-	19	100	3,5	40	7	21,8	6
80 - C160	160	110	8	19	130	4	40	9	21,8	6
80 - A200	200	130	20	19	165	4	40	M10	21,8	6

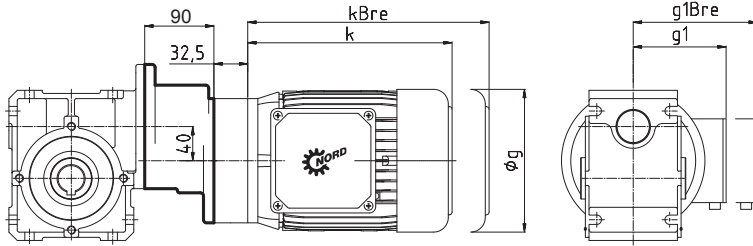


IEC-standard motor-adapter

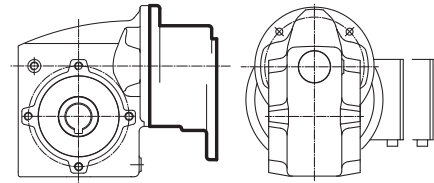
The helical input stage has a speed ratio $i=10$ and can be attached to the UNIVERSAL worm gear units SK 1SI75 and SK 1SMI75. The helical input enables the configuration of 2-stage helical worm gear drives.

Helical worm gear motors

SK 1SI...



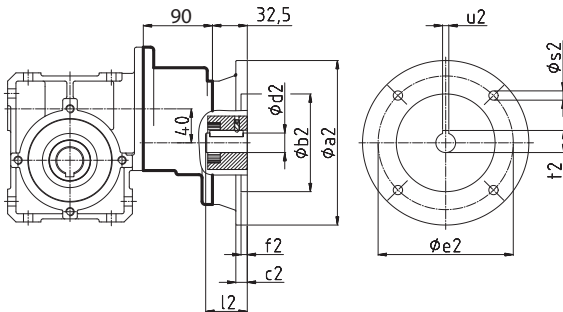
SK 1SMI...



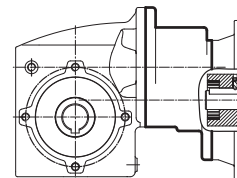
$\pm \Rightarrow$ A60	63 SP/LP	71 SP/LP	80 LP
g	130	145	165
g1	115	124	142
g1Bre	123	133	143
k	192	214	236
kBre	248	272	300

Helical worm gear unit for attachment to IEC standard motors

SK 1SI...



SK 1SMI...



IEC-standard motor-adapter

IEC	$\emptyset a2$	$\emptyset b2$	$\emptyset c2$	$\emptyset d2$	$\emptyset e2$	f2	l2	$\emptyset s2$	t2	u2
56 - C105	105	70	-	9	85	3	20	7	11,4	3
56 - A120	120	80	-	9	100	3,5	20	7	11,4	3
63 - C90	90	60	-	11	75	3	23	6	12,8	4
63 - C120	120	80	-	11	100	3,5	23	7	12,8	4
63 - A140	140	95	8	11	115	3,5	23	9	12,8	4
71 - C105	105	70	-	14	85	3	30	7	16,3	5
71 - C140	140	95	-	14	115	3,5	30	9	16,3	5
71 - C160	160	110	8	14	130	4	30	9	16,3	5
80 - C120	120	80	-	19	100	3,5	40	7	21,8	6
80 - C160	160	110	8	19	130	4	40	9	21,8	6
80 - A200	200	130	20	19	165	4	40	M10	21,8	6

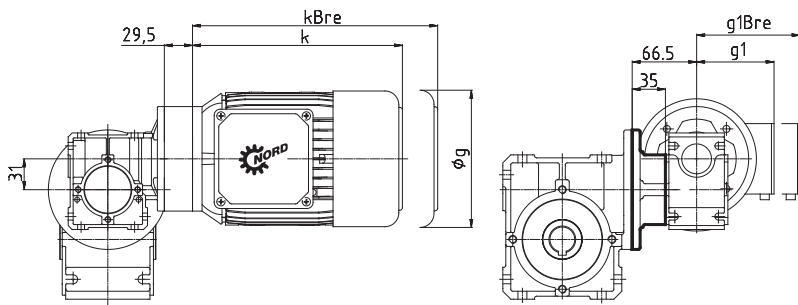
SK 1SI 40 ... 50 ... 63/31 SK 1SMI 40 ... 50 ... 63/31



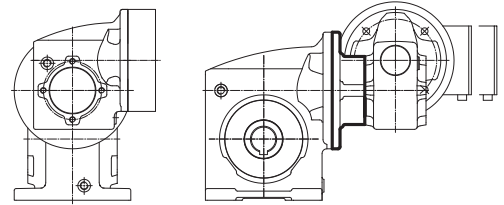
Double worm gear unit adapter

The UNIVERSAL double worm gear unit is an adapter which allows the UNIVERSAL worm gear SK 1SI 31 to be used as an input stage for the UNIVERSAL worm gear SK 1SI 40, SK 1SI 50 and SK 1SI 63 as well as for the UNIVERSAL worm gear units SK 1SMI 40, SK 1SMI 50 and SK 1SMI 63.

Double worm gear motors SK 1SI...

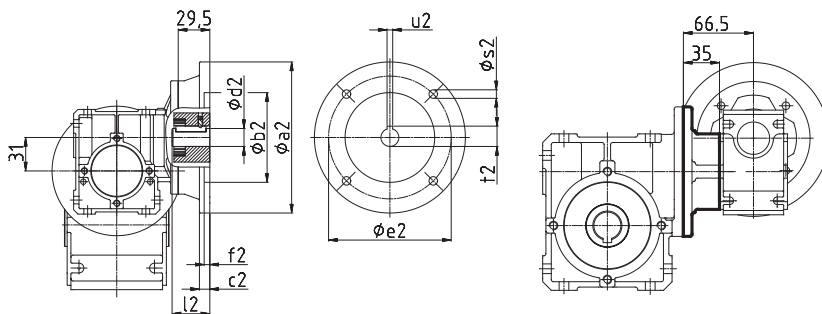


SK 1SMI...

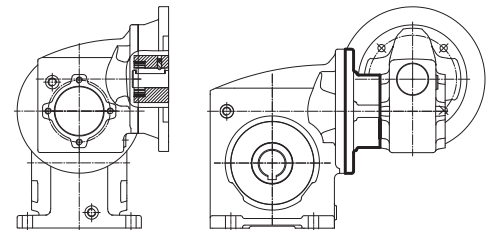


± → A60	63 SP/LP	71 SP/LP
g	130	145
g1	115	124
g1Bre	123	133
k	192	214
kBre	248	272

Double worm gear unit for attachment to IEC standard motors SK 1SI...



SK 1SMI...



IEC-standard motor-adapter

IEC	∅ a2	∅ b2	∅ c2	∅ d2	∅ e2	f2	l2	∅ s2	t2	u2
56 - C105	105	70	-	9	85	3	20	7	11,4	3
56 - A120	120	80	-	9	100	3,5	20	7	11,4	3
63 - C90	90	60	-	11	75	3	23	6	12,8	4
63 - C120	120	80	-	11	100	3,5	23	7	12,8	4
63 - A140	140	95	8	11	115	3,5	23	9	12,8	4
71 - C105	105	70	-	14	85	3	30	7	16,3	5
71 - C140	140	95	-	14	115	3,5	30	9	16,3	5

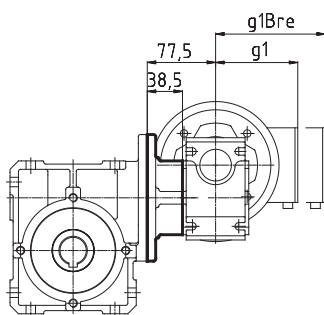
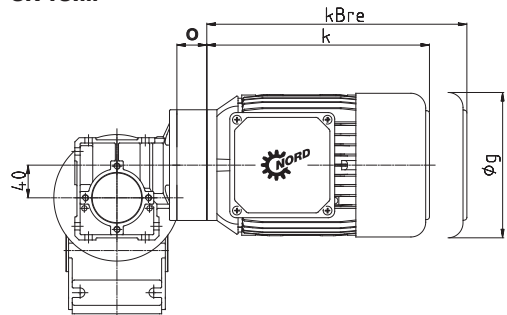


Double worm gear adapter

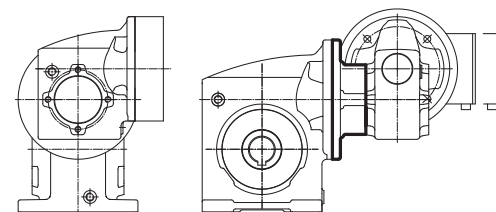
The UNIVERSAL double worm gear is an adapter that allows the UNIVERSAL worm gear unit SK 1SI40 to be used as the input stage for the UNIVERSAL worm gear units SK 1SI75 and SK 1SMI75.

Double worm gear motor

SK 1SI...



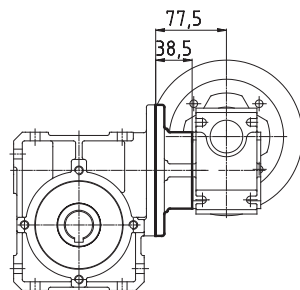
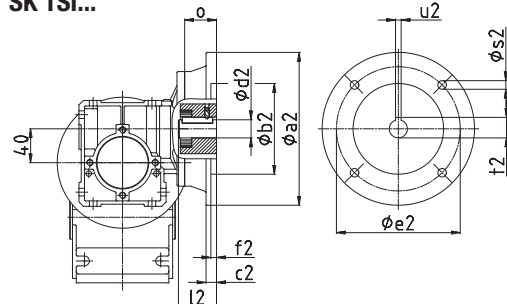
SK 1SMI...



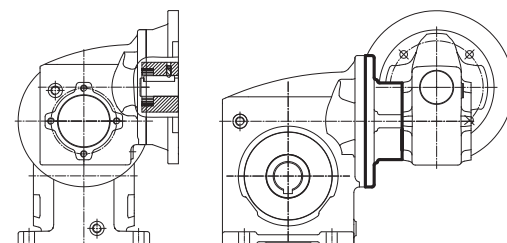
± → A60	63 SP/LP	71 SP/LP
g	130	145
g1	115	124
g1Bre	123	133
k	192	214
kBre	248	272

Double worm gear unit for attachment to IEC standard motors

SK 1SI...



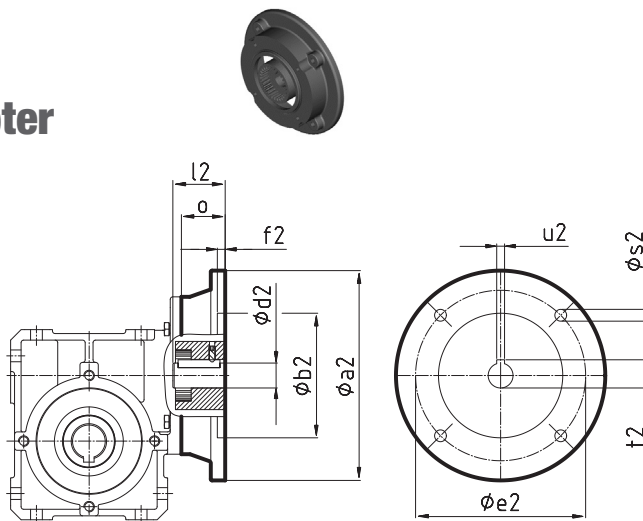
SK 1SMI...



IEC-standard motor-adapter

IEC	Ø a2	Ø b2	Ø c2	Ø d2	Ø e2	f2	l2	o	Ø s2	t2	u2
56 - C105	105	70	-	9	85	3	20	32,5	7	11,4	3
56 - A120	120	80	-	9	100	3,5	20	32,5	7	11,4	3
63 - C90	90	60	-	11	75	3	23	32,5	6	12,8	4
63 - C120	120	80	-	11	100	3,5	23	32,5	7	12,8	4
63 - A140	140	95	8	11	115	3,5	23	32,5	9	12,8	4
71 - C105	105	70	-	14	85	3	30	32,5	7	16,3	5
71 - C140	140	95	-	14	115	3,5	30	32,5	9	16,3	5
71 - C160	160	110	8	14	130	4	30	32,5	9	16,3	5
80 - C120	120	80	-	19	100	3,5	40	32,5	7	21,8	6
80 - C160	160	110	8	19	130	4	40	32,5	9	21,8	6
80 - A200	200	130	20	19	165	4	40	32,5	M10	21,8	6
90 - C140	140	95	-	24	115	3,5	50	45,5	9	27,3	8
90 - C160	160	110	8	24	130	4	50	45,5	9	27,3	8

IEC Standard motor adapter



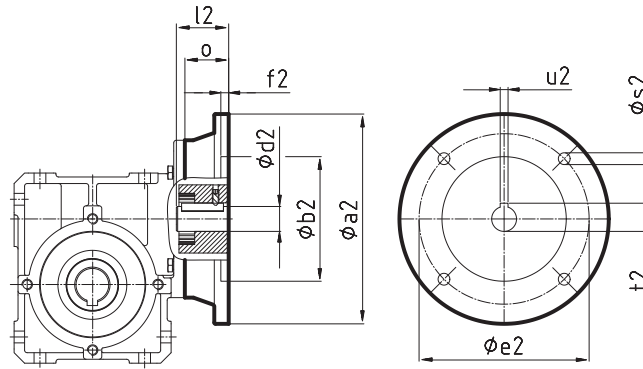
IEC	Øa2	Øb2	Øe2	f2	Øs2	Ød2	l2	t2	u2	o	0						
											SI 31	SI 40	SI 50	SI 63	SI 75	H10	
IEC 56	B14	C105	105	70	85	3	7	9	20	11,4	3	29,5	32,5	32,5	32,5	32,5	32,5
IEC 56	B5	A120	120	80	100	3,5	7	9	20	11,4	3	29,5	32,5	32,5	32,5	32,5	32,5
IEC 63	B14	C90	90	60	75	3	6	11	23	12,8	4	29,5	32,5	32,5	32,5	32,5	32,5
IEC 63	B14	C120	120	80	100	3,5	7	11	23	12,8	4	29,5	32,5	32,5	32,5	32,5	32,5
IEC 63	B5	A140	140	95	115	3,5	9	11	23	12,8	4	29,5	32,5	32,5	32,5	32,5	32,5
IEC 71	B14	C105	105	70	85	3	7	14	30	16,3	5	29,5	32,5	32,5	32,5	36	32,5
IEC 71	B14	C140	140	95	115	3,5	9	14	30	16,3	5	29,5	32,5	32,5	32,5	36	32,5
IEC 71	B5	A160	160	110	130	4	9	14	30	16,3	5	-	32,5	32,5	32,5	36	32,5
IEC 80	B14	C120	120	80	100	3,5	7	19	40	21,8	6	-	32,5	32,5	32,5	36	32,5
IEC 80	B14	C160	160	110	130	4	9	19	40	21,8	6	-	32,5	32,5	32,5	36	32,5
IEC 80	B5	A200	200	130	165	4	M10	19	40	21,8	6	-	32,5	32,5	32,5	36	32,5
IEC 90	B14	C140	140	95	115	3,5	9	24	50	27,3	8	-	45,5	45,5	32,5	36	-
IEC 90	B14	C160	160	110	130	4	9	24	50	27,3	8	-	45,5	45,5	32,5	36	-
IEC 90	B5	A200	200	130	165	4	M10	24	50	27,3	8	-	45,5	45,5	32,5	36	-
IEC 100	B14	C160	160	110	130	4	9	28	60	31,3	8	-	-	-	-	36	-
IEC 100	B14	C200	200	130	165	4	11	28	60	31,3	8	-	-	-	-	36	-
IEC 100	B5	A250	250	180	215	5	M12	28	60	31,3	8	-	-	-	-	36	-
IEC 112	B14	C160	160	110	130	4	9	28	60	31,3	8	-	-	-	-	36	-
IEC 112	B14	C200	200	130	165	4	11	28	60	31,3	8	-	-	-	-	36	-
IEC 112	B5	A250	250	180	215	5	M12	28	60	31,3	8	-	-	-	-	36	-

IEC	Available version						
	SK 1SI 31	SK 1SI 40	SK 1SI 50	SK 1SI 63	SK 1SI 75	SK H10	
IEC 56	B14	C105	•	•	•	•	•
IEC 56	B5	A120	•	•	•	•	•
IEC 63	B14	C90	•*	•*	•*	•*	•*
IEC 63	B14	C120	•	•	•	•	•
IEC 63	B5	A140	•	•	•	•	•
IEC 71	B14	C105	•*	•*	•*	•*	•*
IEC 71	B14	C140	•	•	•	•	•
IEC 71	B5	A160	•	•	•	•	•
IEC 80	B14	C120	•	•*	•*	•*	•*
IEC 80	B14	C160	•	•	•	•	•
IEC 80	B5	A200	•	•	•	•	•
IEC 90	B14	C140	•	•*	•*	•*	•*
IEC 90	B14	C160	•	•	•	•	•
IEC 90	B5	A200	•	•	•	•	•
IEC 100	B14	C160	•	•	•	•	•
IEC 100	B14	C200	•	•	•	•	•
IEC 100	B5	A250	•	•	•	•*	•*
IEC 112	B14	C160	•	•	•	•	•
IEC 112	B14	C200	•	•	•	•	•
IEC 112	B5	A250	•	•	•	•*	•*

* Standard

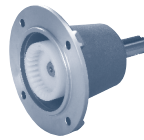


NEMA Standard motor adapter



NEMA	Øa2	Øb2	Øe2	f2	Øs2	Ød2	l2	t2	u2					
										o	o	o	o	o
										SI 31	SI 40/	SI 50/	SI 63/	SI 75*/ H10
N48C	166	76,2	95,2	4,5	7	12,7	52,3	14,2	3,3	38	-	-	-	-
N56C	166	114,3(110*)	149,2(130*)	4,5(5*)	11(9*)	15,9	52,3(47,6*)	18,0	4,8	48	37/70	37/80	37/80	37/90
N140TC	166	114,3	149,2	4,5(5*)	11	22,2	53,8(54,0*)	24,4	4,8	-	49/80	49/80	49/80	49/90
N180TC	233	215,9	215,9(184,2*)	5,8	14	28,6	66,5(72,5*)	31,5(31,8*)	6,3(6,4*)	-	-	-	77,8	54,8

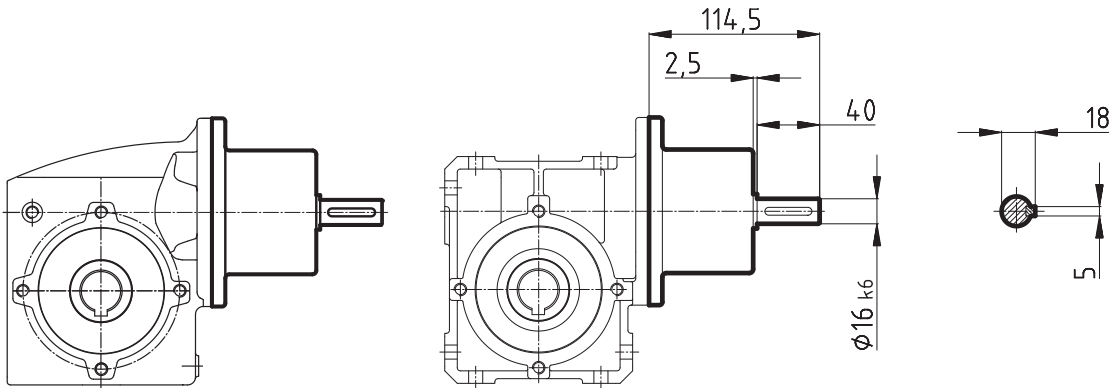
SK 1SI 40 ... 50 ... 63 ... 75 - W
SK 1SMI 40 ... 50 ... 63 ... 75 - W



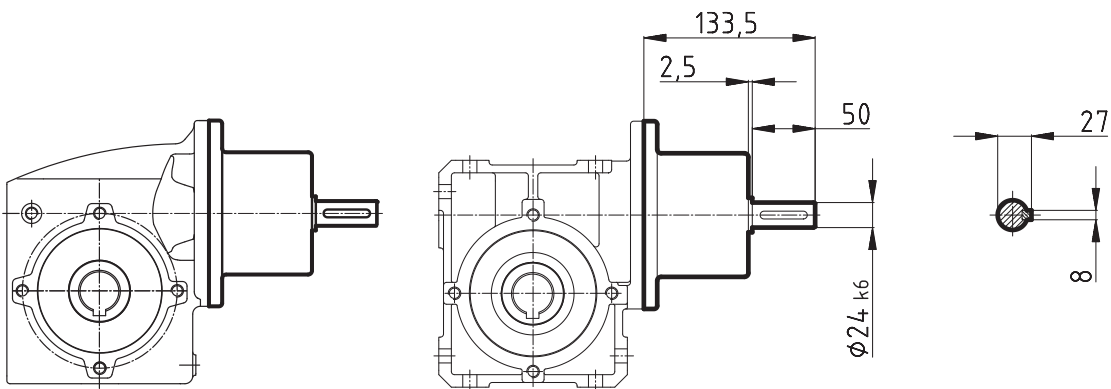
Free Drive Shaft - Type W

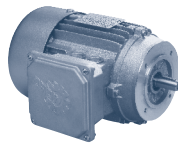
The Type W shaft can be supplied with UNIVERSAL SI worm gear units SK 1SI40, SK 1SI50, SK 1SI63, SK 1SI75 as well as UNIVERSAL SMI worm gear units SK 1SMI40, SK 1SMI50, SK 1SMI63, SK 1SMI75, and the helical gear input stage H10.

SK 1SI 40 ... 50 ... 63 - W
SK 1SMI 40 ... 50 ... 63 - W

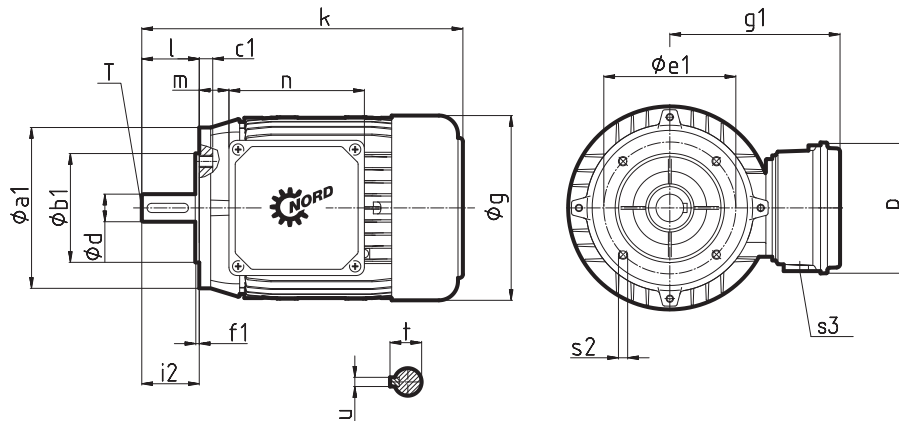


SK 1SI 75 - W
SK 1SMI 75 - W





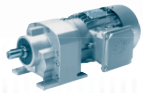
IEC Three-phase motor / Brake motor



Three-phase motors	M _B [Nm]	P ₁ [kW]	n ₁ [r/min]	a1 b1	$\frac{kg}{kg}$	k	c1 e1	d T	t u	f1 s2	g g1	i2 l	s3 n	m p
63 SP/4 B14 C90		0,12	1335	90 60	3,6	215	8 75	11 M4	12,5 4	2,5 M5	130 115	23 23	M20 100	12 100
63 LP/4 B14 C90		0,18	1350	90 60	4,2	215	8 75	11 M4	12,5 4	2,5 M5	130 115	23 23	M20 100	12 100
71 SP/4 B14 C105		0,25	1380	105 70	5,4	244	12 85	14 M5	16 5	2,5 M6	145 124	30 30	M20 100	20 100
71 LP/4 B14 C105		0,37	1380	105 70	6,3	244	12 85	14 M5	16 5	2,5 M6	145 124	30 30	M20 100	20 100
80 LP/4 B14 C120		0,75	1375	120 80	9	276	12 100	19 M6	21,5 6	3,0 M6	165 142	40 40	M25 114	22 114
90 SP/4 B14 C140		1,1	1395	140 95	12	326	15 115	24 M8	27 8	3,0 M8	183 147	50 50	M25 114	26 114
90 LP/4 B14 C140		1,5	1395	140 95	14	326	15 115	24 M8	27 8	3,0 M8	183 147	50 50	M25 114	26 114
100 LP/4 B5 A250		2,2	1440	250 180	24	366	15 215	28 M10	31 8	4,0 14	201 169	60 60	M32 114	32 114
100 AP/4 B5 A250		3,0	1415	250 180	27	366	15 215	28 M10	31 8	4,0 14	201 169	60 60	M32 114	32 114
112 MP/4 B5 A250		4,0	1445	250 180	36	411	15 215	28 M10	31 8	4,0 14	228 179	60 60	M32 114	45 114
Brake motors	M _B [Nm]	P ₁ [kW]	n ₁ [r/min]	a1 b1	$\frac{kg}{kg}$	k	c1 e1	d T	t u	f1 s2	g g1	i2 l	s3 n	m p
63 SP/4 B14 C90 BRE 5	(5)	0,12	1335	90 60	5,6	271	8 75	11 M4	12,5 4	2,5 M5	130 123	23 23	M20 132	19 87
63 LP/4 B14 C90 BRE 5	(5)	0,18	1350	90 60	6,2	271	8 75	11 M4	12,5 4	2,5 M5	130 123	23 23	M20 132	19 87
71 SP/4 B14 C105 BRE 5	(5)	0,25	1380	105 70	7,4	302	12 85	14 M5	16 5	2,5 M6	146 133	30 30	M20 132	27 87
71 LP/4 B14 C105 BRE 5	(5)	0,37	1380	105 70	8,3	302	12 85	14 M5	16 5	2,5 M6	146 133	30 30	M20 132	27 87
80 LP/4 B14 C120 BRE 10	(10)	0,75	1375	120 80	12	340	12 100	19 M6	21,5 6	3,0 M6	165 143	40 40	M25 153	26 108
90 SP/4 B14 C140 BRE 10	(10)	1,1	1395	140 95	17	401	15 115	24 165	27 8	3,0 M8	183 148	50 50	M25 153	30 108
90 LP/4 B14 C140 BRE 20	(20)	1,5	1395	140 95	19	401	15 115	24 M8	27 8	3,0 M8	183 148	50 50	M25 153	30 108
100 LP/4 B5 A250 BRE 20	(20)	2,2	1440	250 180	31	457	15 215	28 M10	31 8	4,0 14	201 159	60 60	M25 153	36 108
100 AP/4 B5 A250 BRE 40	(40)	3,0	1415	250 180	34	479	15 215	28 M10	31 8	4,0 14	201 159	60 60	M25 153	36 108
112 MP/4 B5 A250 BRE 40	(40)	4,0	1445	250 180	46	623	15 215	28 M10	31 8	4,0 14	228 170	60 60	M25 153	49 108

Product Literature

Gear Units



NORDBLOC.1® Helical Inline
Catalog: G1000



UNICASE™ Helical Inline
Catalog: G1000



UNICASE™ Parallel Shaft
Catalog: G1000



UNICASE™ Helical Bevel
Catalog: G1000



NORDBLOC.1® 2-Stage Helical Bevel
Catalog: G1000



DuoDrive Integrated Gear Motor
Catalog: G5010, Flyer: S5010



UNICASE™ Worm
Catalog: G1000



UNIVERSAL SI Worm
Catalog: G1000

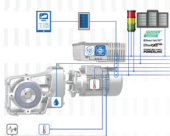


SMI Worm
Catalog: G1000

Systems



LogiDrive Complete Drive Solution
Flyer: S5210



Condition Monitoring for Predictive Maintenance
Flyer: S9091



Screw Conveyor Package (SCP)
Catalog: G1000

Motors & Brakemotors



IE4/IE5+ Premium Efficiency Motors
Catalog: M5000, Flyer: S9012



VFD/AC Vector Duty Motors
Catalog: M7000



Smooth Body Motors
Catalog: Catalog: M7010, TI60-0002

Variable Frequency Drives



NORDAC® START Motor Starters
Catalog: E3000, Flyer: F3015



NORDAC® BASE VFDs
Catalog: E3000, Flyer: F3018



NORDAC® FLEX VFDs
Catalog: E3000, Flyer: F3020



NORDAC® LINK VFDs & Motor Starters
Catalog: E3000, Flyer: F3025



NORDAC® PRO VFDs
Catalog: E3000, Flyer: F3060



NORDAC® ON/ON+ VFDs
Catalog: E3000, Flyer: S9013

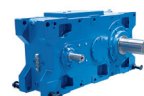
Industrial Gear Units



MAXXDRIVE® Industrial Gear Units (Parallel, Right Angle)
Catalog: G1050, Flyer: F1050



MAXXDRIVE® XT Industrial Gear Units (Parallel with High Thermal Limit)
Catalog: TI60-0011, Flyer: S1055



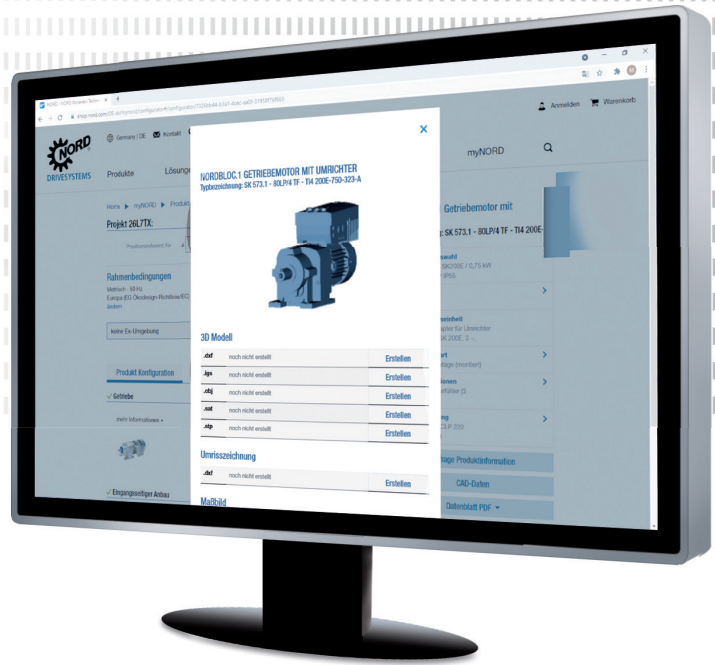
MAXXDRIVE® XD Industrial Gear Units (Extended Center Distance)
Flyer: S1056



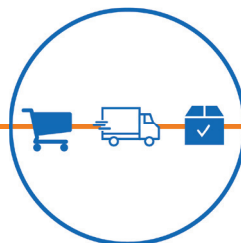
Endurance Package
Application Sheet: 106066000

Ordering is Easy With myNORD Online Tools!

- ▶ Obtain drawing files direct from quote configuration
- ▶ Effortlessly select & configure customized drive solutions
- ▶ Create quotes with account-specific net pricing
- ▶ Order-specific documentation
- ▶ 24/7/365 order tracking
- ▶ Select and order spare parts



Register now at myNORD.com!



Headquarters:
 Getriebebau NORD GmbH & Co. KG
 Getriebebau-Nord-Str. 1
 22941 Bargteheide, Germany
 T: +49 45 32 / 289 0
 F: +49 45 32 / 289 22 53
info@nord.com