

NORDAC *ON* (SK 300P series)

Compact – Focused – Powerful



Features

- ▶ Plug-and-play for fast commissioning
 - ▶ Full plug-in capability
 - ▶ Standardised inverter
- ▶ Future-proof
 - ▶ IIoT-capability
 - ▶ Firmware update via Ethernet
 - ▶ Integrated PLC
- ▶ Reduction of variants
 - ▶ Drives usable over a wide speed range
 - ▶ Integrated Industrial Ethernet interfaces switchable via parameters
- ▶ Optimised design
 - ▶ Very compact design
 - ▶ Space-saving due to integration of Ethernet communication
- ▶ Encoder interface for NORDAC ON+ and NORDAC ON PURE
- ▶ Optional functional safety: STO from size 2 (for NORDAC ON PURE on request)
- ▶ Optional internal braking resistor from size 2
- ▶ Diagnostic interface for parametrisation units or NORDAC ACCESS BT
- ▶ Integrated brake control from size 2
- ▶ Integrated thermostat (TF)

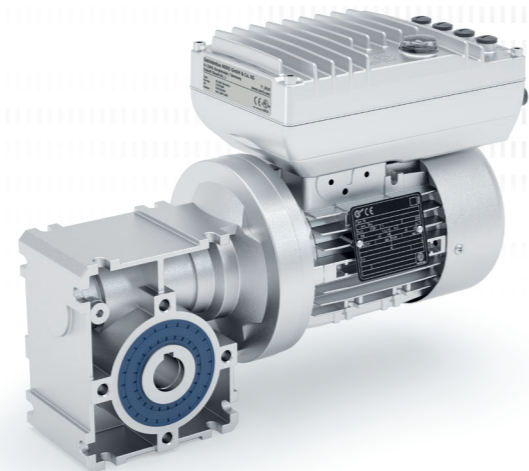
Additional features NORDAC ON PURE

- ▶ nsd tupH
- ▶ Wash-down design
- ▶ One cable connection

NORDAC ON SK 30xP

Target industry: Warehouse

Power: 0.37 – 2.6 kW
 Mains voltage: 3 ~ 400 V
 Supply voltage: 24 V DC external
 Overload capacity: 150% for 60 s, 200% for 5 s, 250% for 1 s
 Ambient temperature: -30...+40° C (S1)
 Protection class: IP55/IP66



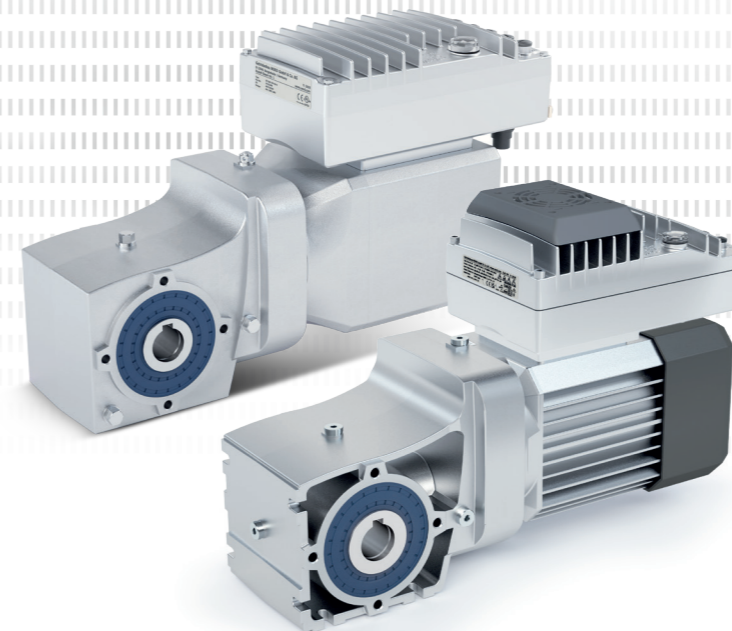
Motor	Size 1	Size 2	Size 3
63 LP/4 – 2,600 rpm	1.2 Nm – 0.31 kW	1.2 Nm – 0.31 kW*	
71 SP/4 – 2,600 rpm	1.6 Nm – 0.43 kW	1.6 Nm – 0.43 kW*	
71 LP/4 – 2,600 rpm		2.4 Nm – 0.65 kW	
80 SP/4 – 2,600 rpm		3.6 Nm – 0.95 kW	
80 LP/4 – 2,600 rpm			4.9 – 1.3 kW
90 SP/4 – 2,600 rpm			7.1 – 1.9 kW
90 LP/4 – 2,600 rpm			9.8 – 2.6 kW

* These frequency inverter-motor combinations are possible if functions such as brake control or the installation of the SK CU6-STO / internal braking resistor are required.

NORDAC ON+ SK 31xP

Target industry: Intralogistics

Power: 0.37 – 3.0 kW
 Mains voltage: 3 ~ 400 V
 Supply voltage: 24 V DC external
 Overload capacity: 150% for 60 s, 200% for 5 s
 Ambient temperature: -30...+40° C (S1)
 Protection class: IP55/IP66

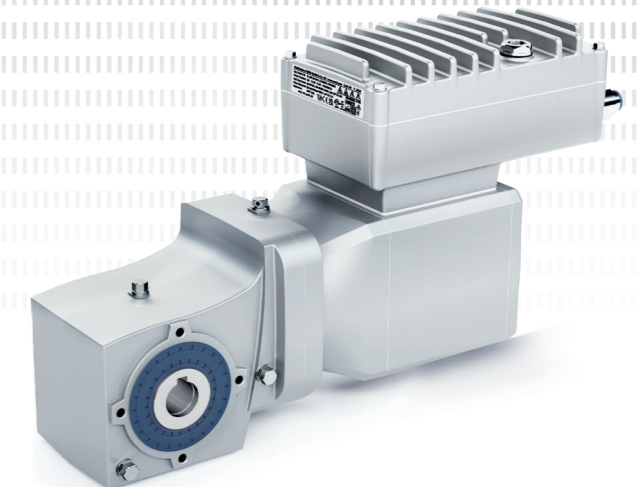


Motor (unventilated)	Size 2	Size 3
IE5+ SK 71 N1/8 – 2,100 rpm	1.6 Nm – 0.35 kW	
IE5+ SK 71 N2/8 – 2,100 rpm	3.2 Nm – 0.70 kW	
IE5+ SK 90 N1/8 – 2,100 rpm		5.0 Nm – 1.10 kW
IE5+ SK 90 N2/8 – 2,100 rpm		6.8 Nm – 1.50 kW
Motor (ventilated)	Size 2	Size 3
IE5+ SK 71 F1/8 – 2,400 rpm	2.0 Nm – 0.50 kW	
IE5+ SK 71 F2/8 – 2,400 rpm	3.8 Nm – 0.95 kW	
IE5+ SK 90 F1/8 – 2,400 rpm		6.0 Nm – 1.50 kW
IE5+ SK 90 F2/8 – 2,400 rpm		8.8 Nm – 2.20 kW
IE5+ SK 90 F3/8 – 2,400 rpm		11.9 Nm – 3.00 kW

NORDAC ON PURE SK 35xP

Target industry: Food and beverage industry

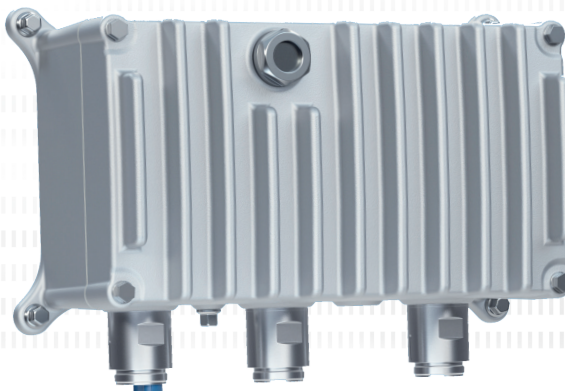
Power: up to 1.5 kW
 Mains voltage: 3 ~ 400 V
 Supply voltage: 24 V DC external
 Overload capacity: 150% for 60 s, 200% for 5 s
 Ambient temperature: -30...+40° C (S1)
 Protection class: IP69K



Motor	Size 2	Size 3
IE5+ SK 71 N1/8 – 2,100 rpm	1.6 Nm – 0.35 kW	
IE5+ SK 71 N2/8 – 2,100 rpm	3.2 Nm – 0.70 kW	
IE5+ SK 90 N1/8 – 2,100 rpm		5.0 Nm – 1.10 kW
IE5+ SK 90 N2/8 – 2,100 rpm		6.8 Nm – 1.50 kW

Wall mounting

- ▶ Usable for NORDAC *ON*, *ON+* and NORDAC *ON PURE*
- ▶ Range of functions as with the motor-mounted inverter



<https://www.nord.com/en/products/drive-electronics/decentral-drive-solutions/sk-300p-nordac-on-on-frequency-inverter.jsp>

NORD DRIVESYSTEMS Group

- ▶ Family business from Bargteheide near Hamburg with 4,900 employees
- ▶ Drive solutions for more than 100 branches of industry
- ▶ 7 production locations worldwide
- ▶ Present in 98 countries on 5 continents
- ▶ More information on: www.nord.com

EN Headquarters
 Getriebebau NORD GmbH & Co. KG
 Getriebebau-Nord-Str. 1
 22941 Bargteheide, Deutschland
 T: +49 45 32 / 289 0
 F: +49 45 32 / 289 22 53
info@nord.com