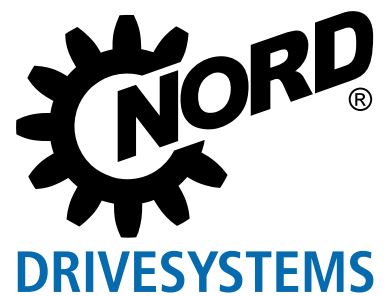


Intelligent Drivesystems, Worldwide Services



# B1000

Operating & Instruction Manuals  
For Gear Units



# NORD DRIVESYSTEMS



## Spanning the Globe to Serve You

Since 1965, NORD Gear has grown to global proportions on the strength of product performance, superior customer service, and intelligent solutions to a never-ending variety of industrial challenges.

All mechanical and electrical components of a drive are available from NORD Gear. Our products cover the full range of drive equipment: helical in-line, helical shaft-mount, helical bevel, helical worm gearboxes, motors and AC drives from 1/6 hp to 250 hp, with torques from 90 lb-in to 900,000 lb-in.

But NORD Gear does far more than manufacture the world's finest drive components. We provide our customers with optimum drive configurations for their specific purposes, providing each and every one of them with truly complete and efficient systems at a price/quality ratio unmatched in today's fast-changing markets.

NORD Gear makes its wide range of products easily available through a global network that provides all customers with prompt delivery and expert support services to consistently exceed customer expectations. We are firmly committed to being totally responsive to the ideas and specifications of every customer, anywhere in the world.





# TABLE OF CONTENTS



DRIVESYSTEMS

RETAIN FOR FUTURE USE

WWW.NORD.COM

TITLE	Document Number & Hyperlink
General Instructions	<a href="#">U10000</a>
Safety Notes	<a href="#">U10020</a>
Storage & Commissioning	<a href="#">U10040</a>
Unit Installation	<a href="#">U10060</a>
Solid Shaft Connections	<a href="#">U10250</a>
Keyed Hollow Shaft	<a href="#">U10270</a>
Shaft Fixing Kit	<a href="#">U10280</a>
Hollow Shaft With Shrink Disc	<a href="#">U10290</a>
NORD GRIPMAXX™	<a href="#">U10310</a>
Reducer Mounting Footed & Flange Mount Gear Units	<a href="#">U10500</a>
Clincher™ Shaft-Mount With Rubber Buffers	<a href="#">U10580</a>
Right Angle Shaft-Mount with Torque Arm (D)	<a href="#">U10600</a>
90.1 Helical-bevel shaft-mount with Bottom Mount Torque Arm (K)	<a href="#">U10620</a>
Helical & Bevel Reducer Lubrication	<a href="#">U10750</a>
VL2 & VL3 Extended Bearing Lubrication	<a href="#">U10760</a>
Helical Worm Reducer Lubrication	<a href="#">U10770</a>
Minicase™ (SM) Worm Reducer Lubrication	<a href="#">U10790</a>
Minicase™ (SMI/SMID) Worm Reducer Lubrication	<a href="#">U10800</a>
FLEXBLOC™ Worm Reducer Lubrication	<a href="#">U10810</a>
Expansion Chambers Installation & Maintenance Manual	<a href="#">U10830</a>
Helical & Bevel Reducer Lubrication Types	<a href="#">U11000</a>
Conveyor Drive Lubrication Information	<a href="#">U11001</a>
Helical Worm Reducer Lubrication Types	<a href="#">U11020</a>
Minicase™ (SM) Worm Reducer Lubrication Types	<a href="#">U11040</a>
Minicase™ (SMI/SMID) Worm Reducer Lubrication Types	<a href="#">U11050</a>
FLEXBLOC™ Worm Reducer Lubrication Types	<a href="#">U11060</a>
Standard In-Line Footed Oil Fill Quantities	<a href="#">U11500</a>
Standard In-Line Flanged Oil Fill Quantities	<a href="#">U11600</a>
Helical In-Line Footed Oil Fill Quantities	<a href="#">U11700</a>
Helical In-Line Flanged Oil Fill Quantities	<a href="#">U11800</a>
CLINCHER™ Oil Fill Quantities	<a href="#">U11900</a>
90.1 Helical-Bevel Footed Oil Fill Quantities	<a href="#">U12000</a>
90.1 Helical-Bevel Flanged Oil Fill Quantities	<a href="#">U12100</a>
92 Series Helical-Bevel Footed Oil Fill Quantities	<a href="#">U12200</a>
92.1/93.1 Series Helical Bevel Oil Fill Quantities	<a href="#">U12205</a>
92 Series Helical-Bevel Flanged Oil Fill Quantities	<a href="#">U12300</a>
Helical-Worm Footed Oil Fill Quantities	<a href="#">U12400</a>
Helical-Worm Solid Shaft/Flanged Oil Fill Quantities	<a href="#">U12500</a>
Helical-Worm Hollow Shaft Oil Fill Quantities	<a href="#">U12600</a>
Nordbloc Footed Oil Fill Quantities	<a href="#">U12700</a>
Nordbloc Flanged Oil Fill Quantities	<a href="#">U12800</a>



# TABLE OF CONTENTS



DRIVESYSTEMS

RETAIN FOR FUTURE USE

WWW.NORD.COM

TITLE	Document Number & Hyperlink
Nordbloc.1 Footed Oil Fill Quantities	<a href="#">U12900</a>
Nordbloc.1 Flanged Oil Fill Quantities	<a href="#">U13000</a>
Minicase™ (SM) Footed Oil Fill Quantities	<a href="#">U13100</a>
Minicase™ (SMI) Footed Oil Fill Quantities	<a href="#">U13150</a>
Minicase™ Flanged (SM) Oil Fill Quantities	<a href="#">U13200</a>
Minicase™ Flanged (SMI) Oil Fill Quantities	<a href="#">U13250</a>
FLEXBLOC™ Oil Fill Quantities	<a href="#">U13300</a>
Standard In-Line Oil Plug & Vent Locations	<a href="#">U14000</a>
Helical In-Line Oil Plug & Vent Locations	<a href="#">U14100</a>
CLINCHER™ Oil Plug & Vent Locations	<a href="#">U14200</a>
92 Series Helical-Bevel Oil Plug & Vent Locations	<a href="#">U14300</a>
92.1/93.1 Series Helical-Bevel Oil Plug & Vent Locations	<a href="#">U14305</a>
90.1 Helical-Bevel Oil Plug & Vent Locations	<a href="#">U14400</a>
Helical-Worm Oil Plug & Vent Locations	<a href="#">U14500</a>
Nordbloc Oil Plug & Vent Locations	<a href="#">U14600</a>
Nordbloc.1 Oil Plug & Vent Locations	<a href="#">U14700</a>
Minicase™ (SMI) Worm Oil Plug & Vent Locations	<a href="#">U14750</a>
FLEXBLOC™ Vent Locations	<a href="#">U14800</a>
Standard In-Line Parts List Drawings	<a href="#">U15000</a>
Helical In-Line Parts List Drawings	<a href="#">U15100</a>
CLINCHER™ Parts List Drawings	<a href="#">U15200</a>
CLINCHER™ VL2 & VL3 Parts List Drawings	<a href="#">U15210</a>
90.1 Helical-Bevel Parts List Drawings	<a href="#">U15300</a>
90.1 Helical-Bevel VL2 & VL3 Parts List Drawings	<a href="#">U15310</a>
92 Series Helical-Bevel Parts List Drawings	<a href="#">U15400</a>
92.1/93.1 Series Helical-Bevel Parts List Drawings	<a href="#">U15415</a>
Helical-Worm Parts List Drawings	<a href="#">U15500</a>
Nordbloc™ Parts List Drawings	<a href="#">U15600</a>
Nordbloc.1 parts list	<a href="#">U15705</a>
Troubleshooting	<a href="#">U19000</a>
Motors - AC Induction, Single and Polyphase	<a href="#">U30000</a>
Motor Brakes Installation & Maintenance	<a href="#">U35000</a>
Fast Acting Brake Rectifiers [GPE, GPU & PMG]	<a href="#">U35100</a>
Current sensing relay	<a href="#">U35200</a>
NEMA/IEC/SERVO Inputs Adapters & Their Couplings	<a href="#">U45100</a>
NEMA or IEC Input Adapter Lubrication Options	<a href="#">U45250</a>
NEMA or IEC Input Adapter with Grease Fitting	<a href="#">U45255</a>
Solid Input Shaft [W]	<a href="#">U45300</a>
Motor Mount Platform [MK]	<a href="#">U45400</a>
Sugar Scoop	<a href="#">U45500</a>
NSD tugh Touch-Up Kit	<a href="#">U65100</a>
Terms & Conditions of Sale	<a href="#">Terms</a>





# BIM TO USER MANUAL CROSS REFERENCE



DRIVESYSTEMS

RETAIN FOR FUTURE USE

WWW.NORD.COM

Old BIM TITLE (No Longer Available)	New User Manual Document Numbers & Hyperlinks
BIM 1010 - Unicase Helical In-Line Gearboxes Installation & Maintenance Instructions	<a href="#">U10000 - General Instructions</a> <a href="#">U10020 - Safety Notes</a> <a href="#">U10040 - Storage &amp; Commissioning</a> <a href="#">U10060 - Unit Installation</a> <a href="#">U10250 - Solid Shaft Connections</a> <a href="#">U10500 - Reducer Mounting Footed &amp; Flange Mount Gear Units</a> <a href="#">U10750 - Helical &amp; Bevel Reducer Lubrication</a> <a href="#">U11000 - Helical &amp; Bevel Reducer Lubrication Types</a> <a href="#">U11700 - Helical In-Line Footed Oil Fill Quantities</a> <a href="#">U11800 - Helical In-Line Flanged Oil Fill Quantities</a> <a href="#">U14100 - Helical In-Line Oil Plugs &amp; Vent Locations</a> <a href="#">U15100 - Helical In-Line Parts Lists Drawings</a>
BIM 1011 - NORDBLOC Helical Gearboxes Installation & Maintenance Instructions	<a href="#">U10000 - General Instructions</a> <a href="#">U10020 - Safety Notes</a> <a href="#">U10040 - Storage &amp; Commissioning</a> <a href="#">U10060 - Unit Installation</a> <a href="#">U10250 - Solid Shaft Connections</a> <a href="#">U10500 - Reducer Mounting Footed &amp; Flange Mount Gear Units</a> <a href="#">U10750 - Helical &amp; Bevel Reducer Lubrication</a> <a href="#">U11000 - Helical &amp; Bevel Reducer Lubrication Types</a> <a href="#">U12700 - Nordbloc™ Footed Oil Fill Quantities</a> <a href="#">U12800 - Nordbloc™ Flanged Oil Fill Quantities</a> <a href="#">U14600 - Nordbloc™ Oil Plugs &amp; Vent Locations</a> <a href="#">U15600 - Nordbloc™ Parts Lists Drawings</a>
BIM 1012 - Standard Helical In-Line Gearboxes Installation & Maintenance Instructions	<a href="#">U10000 - General Instructions</a> <a href="#">U10020 - Safety Notes</a> <a href="#">U10040 - Storage &amp; Commissioning</a> <a href="#">U10060 - Unit Installation</a> <a href="#">U10250 - Solid Shaft Connections</a> <a href="#">U10500 - Reducer Mounting Footed &amp; Flange Mount Gear Units</a> <a href="#">U10750 - Helical &amp; Bevel Reducer Lubrication</a> <a href="#">U11000 - Helical &amp; Bevel Reducer Lubrication Types</a> <a href="#">U11500 - Standard In-Line Footed Oil Fill Quantities</a> <a href="#">U11600 - Standard In-Line Flanged Oil Fill Quantities</a> <a href="#">U14000 - Standard In-Line Oil Plugs &amp; Vent Locations</a> <a href="#">U15000 - Standard In-Line Parts Lists Drawings</a>
BIM 1013 - NORDBLOC.1 Helical Gearboxes Installation & Maintenance Instructions	<a href="#">U10000 - General Instructions</a> <a href="#">U10020 - Safety Notes</a> <a href="#">U10040 - Storage &amp; Commissioning</a> <a href="#">U10060 - Unit Installation</a> <a href="#">U10250 - Solid Shaft Connections</a> <a href="#">U10500 - Reducer Mounting Footed &amp; Flange Mount Gear Units</a> <a href="#">U10750 - Helical &amp; Bevel Reducer Lubrication</a> <a href="#">U11000 - Helical &amp; Bevel Reducer Lubrication Types</a> <a href="#">U12900 - Nordbloc.1™ Footed Oil Fill Quantities</a> <a href="#">U13000 - Nordbloc.1™ Flanged Oil Fill Quantities</a> <a href="#">U14700 - Nordbloc.1™ Oil Plugs &amp; Vent Locations</a>
BIM 1020 - Unicase Shaft Mount Gearboxes Installation & Maintenance Instructions	<a href="#">U10000 - General Instructions</a> <a href="#">U10020 - Safety Notes</a> <a href="#">U10040 - Storage &amp; Commissioning</a> <a href="#">U10060 - Unit Installation</a> <a href="#">U10250 - Solid Shaft Connections</a> <a href="#">U10500 - Reducer Mounting Footed &amp; Flange Mount Gear Units</a> <a href="#">U10580 - CLINCHER™ w/ Rubber Buffer</a> <a href="#">U10750 - Helical &amp; Bevel Reducer Lubrication</a> <a href="#">U11000 - Helical &amp; Bevel Reducer Lubrication Types</a> <a href="#">U11900 - CLINCHER™ Oil Fill Quantities</a> <a href="#">U14200 - CLINCHER™ Oil Plugs &amp; Vent Locations</a> <a href="#">U15200 - CLINCHER™ Parts Lists Drawings</a>



# BIM TO USER MANUAL CROSS REFERENCE



DRIVESYSTEMS

RETAIN FOR FUTURE USE

WWW.NORD.COM

Old BIM TITLE (No Longer Available)	New User Manual Document Numbers & Hyperlinks
BIM 1030 - Unicase Helical Worm Gearboxes Installation & Maintenance Instructions	<a href="#">U10000 - General Instructions</a> <a href="#">U10020 - Safety Notes</a> <a href="#">U10040 - Storage &amp; Commissioning</a> <a href="#">U10250 - Solid Shaft Connections</a> <a href="#">U10500 - Reducer Mounting Footed &amp; Flange Mount Gear Units</a> <a href="#">U10770 - Helical-Worm Reducer Lubrication</a> <a href="#">U11020 - Helical-Worm Reducer Lubrication Types</a> <a href="#">U12400 - Helical-Worm Footed Oil Fill Quantities</a> <a href="#">U12500 - Helical-Worm Solid Shaft/Flanged Oil Fill Quantities</a> <a href="#">U12600 - Helical-Worm Hollow Shaft Oil Fill Quantities</a> <a href="#">U14500 - Helical-Worm Oil Plugs &amp; Vent Locations</a> <a href="#">U15500 - Helical-Worm Parts Lists Drawings</a>
BIM 1031 - MINICASE Worm Gearboxes Installation & Maintenance Instructions	<a href="#">U10000 - General Instructions</a> <a href="#">U10020 - Safety Notes</a> <a href="#">U10040 - Storage &amp; Commissioning</a> <a href="#">U10250 - Solid Shaft Connections</a> <a href="#">U10500 - Reducer Mounting Footed &amp; Flange Mount Gear Units</a> <a href="#">U10770 - Helical Worm Reducer Lubrication</a> <a href="#">U11040 - Minicase™ Worm Reducer Lubrication Types</a> <a href="#">U13100 - Minicase™ Foot Mount Oil Fill Quantities</a> <a href="#">U13200 - Minicase™ Flange Mount Oil Fill Quantities</a>
BIM 1033 - SI Design FLEXBLOC Worm Gearboxes Installation & Maintenance Instructions	<a href="#">U10000 - General Instructions</a> <a href="#">U10020 - Safety Notes</a> <a href="#">U10040 - Storage &amp; Commissioning</a> <a href="#">U10250 - Solid Shaft Connections</a> <a href="#">U10500 - Reducer Mounting Footed &amp; Flange Mount Gear Units</a> <a href="#">U10770 - Helical Worm Reducer Lubrication</a> <a href="#">U11060 - FLEXBLOC™ Worm Reducer Lubrication Types</a> <a href="#">U13300 - FLEXBLOC™ Oil Fill Quantities</a> <a href="#">U14800 - FLEXBLOC™ Oil Plugs &amp; Vent Locations</a>
BIM 1040 - 92 & 90.1 Helical-Bevel Installation & Maintenance Instructions	<a href="#">U10000 - General Instructions</a> <a href="#">U10020 - Safety Notes</a> <a href="#">U10040 - Storage &amp; Commissioning</a> <a href="#">U10060 - Unit Installation</a> <a href="#">U10250 - Solid Shaft Connections</a> <a href="#">U10500 - Reducer Mounting Footed &amp; Flange Mount Gear Units</a> <a href="#">U10750 - Helical &amp; Bevel Reducer Lubrication</a> <a href="#">U11000 - Helical &amp; Bevel Reducer Lubrication Types</a> <a href="#">U12000 - Bevel Footed Oil Fill Quantities</a> <a href="#">U12100 - Bevel Flanged Oil Fill Quantities</a> <a href="#">U12205 - 92 Series Helical-Bevel Footed Oil Fill Quantities</a> <a href="#">U14300 - 92 Series Helical-Bevel Oil Plugs &amp; Vent Locations</a> <a href="#">U14400 - 90.1 Helical-Bevel Oil Plugs &amp; Vent Locations</a> <a href="#">U15300 - 90.1 Helical-Bevel Parts Lists</a> <a href="#">U15400 - 92 Series Helical-Bevel Parts Lists Drawings</a>
BIM 1001 - Hollow Shrink Disc Shaft Installation & Maintenance Instructions	<a href="#">U10290 - Hollow Shaft with Shrink Disc</a>
BIM 1002 - Keyed Shaft & Fixing Element Installation & Maintenance Instructions	<a href="#">U10270 - Keyed Hollow Shaft</a> <a href="#">U10280 - Shaft Fixing Kit</a>
BIM 1003 - Expansion Chambers Installation & Maintenance Instructions	<a href="#">U10830 - Expansion Chambers Installation &amp; Maintenance Manual</a>
BIM 1009 - Inputs	<a href="#">U45100 - NEMA IEC Inputs &amp; Their Couplings</a> <a href="#">U45250 - NEMA or IEC Input Adapter Lubrication Options</a> <a href="#">U45300 - Solid Input Shaft [W]</a> <a href="#">U45400 - Motor Mount Platform</a> <a href="#">U45500 - Sugar Scoop</a>
BIM 1004 - Motors	<a href="#">U30000 - Motors - AC Induction, Single and Polyphase</a>
BIM 1014 - Motor Brakes	<a href="#">U35000 - Motor Brakes Installation &amp; Maintenance</a>
BIM 1092 - Current Sensing Brake Relay [IR]	<a href="#">U35200 - Current Sensing Relay</a>
BIM 1095 - Fast Brake Rectifier [GPE & GPU]	<a href="#">U35100 - Fast Brake Rectifier</a>
BIM 9002 - GRIPMAXX™	<a href="#">U10310 - NORD GRIPMAXX™</a>

**NORD Gear Limited**

Toll Free in Canada: 800.668.4378

**NORD Gear Corporation**

Toll Free in the United States: 888.314.6673






# GENERAL INSTRUCTIONS



## 1. Importance of the operating instructions

These operating instructions are intended to provide general information and safety guidelines. It is the responsibility of the buyer, machine builder, installer and user of the NORD product to make sure that all the proper safety notes and operating instructions have been reviewed and understood. If the contents of this instruction or any applicable operating instructions are not understood, please consult NORD.

 **WARNING**

Electric motors, gearmotors, electrical brakes, variable frequency drives, and gear reducers contain potentially dangerous high-voltage, rotating-components and surfaces that may become hot during operation. All work involved in the transport, connection, commissioning and maintenance of any NORD product must be carried out by qualified and responsible technicians.

## 2. Inspect incoming freight

Before accepting shipment from the freight company, thoroughly inspect the NORD equipment for any shipping and handling damage. If any goods called for in the bill of lading or express receipt are damaged, or if the quantity is short, do not accept until the freight express agent makes an appropriate notation on your freight bill or express receipt. If any concealed loss or damage is discovered later, notify your freight carrier or express agent at once, and request a formal review of your claim.

Claims for loss or damage in shipment must not be deducted from the NORD invoice, nor should payment of the NORD invoice be withheld awaiting adjustment of such claims, as the carrier guarantees safe delivery. NORD will try to assist in collecting claims for loss or damage during shipment; however, this willingness on our part does not remove the transportation company's responsibility in reimbursing you for collection of claims or replacement of material.

## 3. Obtaining detailed operating instructions


One can receive the detailed installation and maintenance instructions by entering a serial number (or NORD order number) at the appropriate location on the NORD web site.

- i. Record the serial number from your gearmotor, gear reducer, or motor nameplate, or record the serial number found on your order confirmation.
- ii. Go to [www.nord.com/docs](http://www.nord.com/docs) to download the appropriate operating instructions.












EXAMPLE: [www.nord.com/docs](http://www.nord.com/docs)

**Unit documentation**

Gear unit installation and maintenance instructions can be found by entering the sales order number in the search field below. The sales order number can be found on the gear unit's nameplate (see illustration) or on the order confirmation.




**Sales Order Number** 200836833-400  
**Model Type** SK9382AZSH-180MH/4 TW RD VZ  
**Mounting Position** M4

Type	Name	Pages	Size
	U10000 - General Instructions	2	(51.97 KB)
	U10040 - Storage	1	(36.77 KB)
	U10060 - Unit Installation	2	(60.94 KB)
	U10270 - Keyed Hollow Shaft	2	(70.52 KB)
	U10750 - Helical and Bevel Reducer Lubrication	2	(75.66 KB)
	U11000 - Helical and Bevel Lubrication Types	2	(58.10 KB)
	U11900 - Lubrication Capacity - Clincher Shaft Mounted	1	(894.56 KB)
	U14200 - Oil Plug and Vent Locations - Clincher Parallel Shaft	1	(125.83 KB)
	U15200 - Parts List - Clincher Parallel Shaft	12	(519.50 KB)
	Complete Manual for 200836833-400 (PDF Format)	31	(2.25 MB)
	All Manuals for 200836833-400 (ZIP Format)		(2.01 MB)

## 4. Intended use

NORD is a supplier of electric motors, gearmotors, reducers, electromechanical brakes, mechanical variators, and electrical variable frequency drives that are intended for commercial installations on larger systems and machines.

 **WARNING**

NORD does not accept any liability for damage or injury caused by:

- Inappropriate use, operation or adaptation of the drive system.
- Unauthorized removal of housing covers, safety and inspection covers, guarding, etc.
- Unauthorized modifications to the drive system.
- Improper servicing or repair work on the drive system.
- Damage caused during shipment or transportation.
- Disregard of the important Safety Notes or Operating Instructions.



## 5. Notes concerning warranty and liability

All units are supplied according to the terms described in our standard "Conditions of Sale." The unit limited warranty is also defined in our "Conditions of Sale" and is located in the back of our product catalogs as well as the back of your order invoice.

All NORD Safety Notes and all related NORD Operating instructions shall be considered up-to-date at the time in which they were compiled by the buyer, machine builder, installer or user. NORD reserves the right to incorporate technical modifications and information updates to any safety/operating instructions that are within the scope of providing additional knowledge or clarification, communicating design changes, or product enhancements. Information updates may include any NORD product, or subsequent products purchased and supplied by NORD; No specific claims can be derived from the information or illustrations and descriptions contained in the safety notes or related operating instructions.



### **WARNING**

NORD assumes no liability for personal injury, equipment damage or malfunctions resulting from failure to comply with any installation safety notes. The applicable national, regional, and local work regulations and safety requirements must also be complied with. Failure to comply with any safety notes or regulations may result in serious injury, damage to property, or even death.

## 6. Checklist for installation and operation

- Verify that the purchased NORD product has been supplied with the expected accessories & options. Check the received goods and packing slip to make sure items are properly received.
- Make sure that you have all of the required Operating Instructions for your NORD electric motor, gearmotor, reducer, electromechanical brake, mechanical variable speed drives, or electrical variable frequency drives.
- Consult NORD if you feel you are missing any documentation or if you have questions.





## 1. Safety & information symbols

All work including transportation, storage, installation, electrical connection, commissioning, servicing, maintenance and repair must be performed **only by qualified specialists or personnel**. It is recommended that repairs to NORD Products are carried out by the NORD Service Department. Instructions related to operational safety will be emphasized as shown.

Symbol	Meaning
	<b>Danger, Caution or Warning</b> - Severe risk or danger of personal injury or death by working around dangerously high electrical voltage or moving machinery. Proper safety precautions must be taken.
<b>NOTICE</b>	<b>Notice</b> - Care must be taken to avoid the possibility of damaging the drive unit, driven machine, or the environment.
	<b>Important Note</b> - Useful note or tip to help assure trouble-free operation.
	<b>Material Disposal Note</b> - Important note concerning suggested material disposal.

## 2. Safety warnings

	<b>DANGER</b>
<ul style="list-style-type: none"> <li>All work involved in the transport, connection, commissioning and maintenance of any NORD product must be carried out by qualified and responsible technicians. All applicable national, regional, and local work regulations and safety requirements must also be complied with. <b>NORD assumes no liability for personal injury, accidental death, or equipment damage and malfunctions resulting from failure to comply with installation or operating instructions, safety notes, or any work regulations and laws!</b></li> <li>Gear unit installation and maintenance work may only be performed when no power is available to the prime mover or motor. Electric motors, electrical brakes, and variable frequency drives, contain potentially dangerous high-voltage. Prior to installation or maintenance, shut down the power at the circuit breaker or power switch. <b>While working on the drive, make sure the power from the prime mover is isolated or secured on "lock-out" to prevent accidental start-up and to safeguard against injury!</b></li> <li>Surfaces of motors and gear units may become hot during operation or shortly after start-up. In some instances additional protection against accidental contact may be necessary. <b>Use caution to avoid burns or serious injury!</b></li> </ul>	

## 3. Observe published performance range & nameplate data

<b>NOTICE</b>
Observe the data on all reducer nameplates and verify published ratings for the NORD item/s in question. Do not operate any NORD equipment outside the published performance range. Failure to comply may result in damage to the drive unit, driven machine, or the environment.

### U.S. Nameplate

NORD GEAR CORPORATION-USA / WWW.NORD.COM	
SK <b>1</b>	
S/N <b>2</b>	
RATIO <b>3</b>	SF <b>4</b>
TORQUE <b>5</b>	LB-IN
SPEED <b>6</b>	RPM
	FOR GEAR LUBRICATION SEE MANUAL
	<b>7</b> MTG POS <small>120094630</small>
	UNIGASE™

- Model/Type
- Serial Number
- Gear Ratio
- Service Factor
- Torque Rating
- Output Speed RPM
- Mounting Position

### European Nameplate

	Getriebebau NORD GrbH&Co KG D - 22934 Bargteheide
Type	SK <b>1</b>
No.	<b>2</b>
i=	<b>3</b>
n2=	<b>4</b> min <sup>-1</sup>
Siehe Wartungsanleitung See maintenance instructions Voir instructions d'entretien	

- Model/Type
- Serial Number
- Gear Ratio
- Speed

## 4. Transportation and handling

Make sure that all eyebolts and lifting lugs are tight and lift only at designed points. Protect the mounting surface from possible damage during transportation.

	<b>WARNING</b>
Do not attach other machinery or loads to the NORD assembly, the supplied lifting bolts are not designed for this purpose and may result in drive damage or personal injury.	

If the gearmotor or assembly is equipped with two suspension eye bolts, then both locations should be used for transportation and placement of the unit; in this case the tension force of the slings must not exceed a 45° angle.


In some instances it may be appropriate to use additional lifting straps or slings in order to assure safe transportation of the assembly. Always use sufficiently rated handling equipment and ensure that adequate safety measures are taken to protect personnel from injury during transportation. Once the NORD assembly is properly installed, remove the transportation fixtures.



# SAFETY NOTES



## 7. DISPOSAL

	<b>MATERIAL DISPOSAL</b>
<p>Properly dispose of all used gear units and internal parts in accordance with all local regulations. In particular, all lubricants must be properly collected and disposed.</p>	

For confirmation of specific materials used in a specific reducer or gearmotor assembly, please consult NORD with the appropriate unit identification or serial number.

Components	Material
Gear wheels, shafts, rolling bearings, parallel keys, snap rings, spacers, shims, etc.	Steel
Gear housing and housing components	Cast iron or Aluminum (depending on type and size)
Worm gears	Bronze alloy
Radial seals, sealing caps, and rubber components	Elastomers with some steel
Coupling components	Plastic or Elastomer with Steel
Housing gaskets and flat oil seals	Asbestos-free sealing or gasket material (various types used)
Gear Oil	Mineral, SHC-Synthetic or PG-Synthetic (can vary)



## 1. Storage



### **IMPORTANT NOTE**

For storage periods longer than 9 months, or for storage in less than desirable conditions, please consult NORD for recommendations.

Storage for up to 9 months is possible, so long as the following conditions are observed:

- Store the gear unit in its actual mounting position in accordance with the specified oil fill-level, in a clean and dry temperature controlled area. Avoid temperature fluctuations within the range of 0°C and 40°C (32°F to 104°F) and avoid relative humidity conditions in excess of 60%.
- Protect all exposed or unpainted shaft and flange surfaces with an anti-corrosion agent or grease.
- Store in a location free from shock and vibration, to avoid false brinelling of bearing elements and raceways.
- Whenever possible, rotate the shafts periodically, by hand if necessary, to help prevent brinelling (bearing damage) and to help keep the shaft seals pliable.
- Avoid direct exposure to the sun or UV light and aggressive or corrosive materials in the environment (ozone, gases, solvents, acids, caustic solutions, salts, radioactivity, etc).

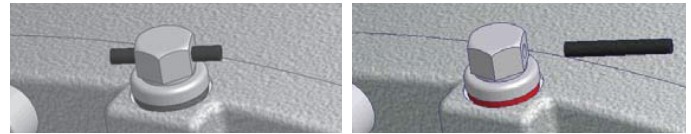
## 2. Commissioning

Prior to gear unit start-up, complete the following:

- Please check your gear unit for a vent and if applicable to your product, remove the sealing plug to activate.

### **NOTICE**

To prevent build-up of excessive pressure, sealed vents must be activated as shown prior to gear unit start up. Excessive pressure may cause damage to internal gearbox components and leakage.



Sealed vent

Activated vent

- Check the lubricant and be sure the gear unit is filled with the proper oil type, to the proper level, as determined by the mounting position.



### **IMPORTANT NOTE**

Some smaller gear units are supplied as maintenance free/lubricated for life gear units. Oil level may not be checked on some of these units.

- Check the condition of all shaft seals and all assembled flange gasket areas. If any change is detected in the shape, color, hardness or permeability, or if any leaks are detected, the corresponding shaft seals and/or gaskets must be replaced.
- Remove all anti-corrosive metal protectant from otherwise bare metal surfaces. Follow product manufacturers directions and warnings during surface protection removal.
- Check the resistance of all motor and brake windings to verify the integrity of the winding insulation and inspect all terminal box openings and wire connection areas to verify that all components are dry and free of corrosion.

### 3. Long-Term Storage

By taking special precautions, problems such as seal leakage and reducer failure due to the lack of lubrication, improper lubrication quantity, or contamination can be avoided. The following precautions will protect gear reducers during periods of extended storage:

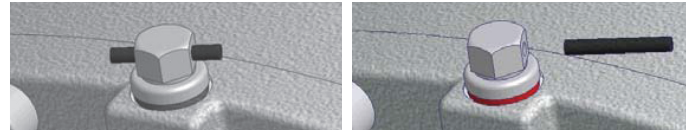
- Store the gear unit in its actual mounting position in accordance with the specified oil fill-level, in a clean and dry temperature controlled area. Avoid temperature fluctuations within the range of 0°C and 40°C (32°F to 104°F) and avoid relative humidity conditions in excess of 60%.
- Fill the reducer full with oil that is compatible with the product normally used or recommended during service.
- Apply grease to all unpainted or unprotected shafts, bores, keyways, flange surfaces, tapped holes, and to the exterior of all oil seals.
- Store in a location free from shock and vibration, to avoid false brinelling of bearing elements and raceways.
- Once every few months rotate the input shaft approximately 10-20 revolutions to redistribute the weight of gears and shafts and to prevent brinelling of the bearings and drying of the seal track.
- Avoid direct exposure to the sun or UV light and aggressive or corrosive materials in the environment (ozone, gases, solvents, acids, caustic solutions, salts, radioactivity, etc.)

### 4. Commissioning After Long-Term Storage

- Please check your gear unit for a vent and if applicable to your product, remove the sealing plug to activate.

#### NOTICE

To prevent build-up of excessive pressure, sealed vents must be activated as shown prior to gear unit start up. Excessive pressure may cause damage to internal gearbox components and leakage.



Sealed vent

Activated vent

- Remove all anti-corrosive metal protectant from otherwise bare metal surfaces. Follow product manufacturer's directions and warnings during surface protection removal.
- Drain the reducer and refill it with the proper type and amount of lubricant.
- Observe start-up and initial operation to make sure there are no seal or gasket leaks, or unusual sounds, vibration or heat rise during operation.
- Check the resistance of all motor and brake windings to verify the integrity of the winding insulation and inspect all terminal box openings and wire connection areas to verify that all components are dry and free of corrosion.



# UNIT INSTALLATION



## 1. Installation site

Drives must be properly installed if they are to produce the rated torque. Improper installation may lead to oil leaks, reduced life, or even catastrophic failure. NORD gear drives and motors are intended to be installed at a suitable mounting site under the following conditions:

- Unimpeded airflow to and around the units.
- Accessibility to oil drain, level and breather plugs.
- On brakemotors, allow adequate space for removing the fan guard and replacing and adjusting the brake.
- Mounting surfaces must be flat, torsionally rigid, and dampened against vibration.
- Unless special measures are taken, the immediate vicinity around the gear drive or motor should not be exposed to any aggressive or corrosive substances, contaminated air, ozone, gases, solvents, acids, alkalis, salts, radioactivity, etc.

## 2. Mounting position

Reducer mounting position charts illustrate the standard mounting positions for horizontal and vertical mounting. All gear units are assembled with the oil fill-level, oil-drain and vent plugs installed in their proper locations, **according to the customer-specified mounting position**. For mounting orientations other than shown consult NORD Gear.

### NOTICE

**Improper oil levels may lead to premature component wear and diminished service life.** The gear reducer may not receive proper lubrication if the unit is not mounted in the position for which it is designed. Observe the mounting position designated on the reducer nameplate, or specified in the order acknowledgement. Consult NORD prior to changing mounting position in the field. While it is often possible to simply relocate the oil fill-level and vent locations, and adjust the oil fill amount, in some cases, different mounting positions may lend themselves to different internal construction features.

## 3. Reducer mounting

- The support foundation must be straight, level and flat. Whether the gear unit is foot-mounted or flange-mounted, NORD recommends that the straightness and flatness of the customer-supplied support foundation follow **Table 1**.
- The gear unit must be properly aligned with the driven shaft of the machine in order to prevent additional stress or load forces from being imposed upon the gear unit.
- To facilitate oil drainage it may be desirable to elevate the gear box foundation above the surrounding support structure.
- All bolting surfaces must be clean and free from contamination and corrosion.

Table 1: Recommended Straightness and Flatness of Customer-Supplied Support Foundation

Above (in)	To & Including (in)	General Tolerance on Straightness & Flatness ISO 2768-2, Tolerance Class K
0.00	0.39	+/- 0.002 in
0.39	1.18	+/- 0.004 in
1.18	3.9	+/- 0.008 in
3.9	11.8	+/- 0.016 in
11.8	39	+/- 0.024 in
39	118	+/- 0.031 in

Above (mm)	To & Including (mm)	General Tolerance on Straightness & Flatness ISO 2768-2, Tolerance Class K
0	10	+/- 0.05 mm
10	30	+/- 0.1 mm
30	100	+/- 0.2 mm
100	300	+/- 0.4 mm
300	1000	+/- 0.6 mm
1000	3000	+/- 0.8 mm

**Straightness:** Based upon the length of the corresponding line.

**Flatness:** Based upon the longer lateral surface or the diameter of the circular surface.



### IMPORTANT NOTE

The responsibility for the design and construction of the support foundation is with the user. The foundation must be adequate to withstand normal operating loads and possible overloads while maintaining alignment to attached system components under such loads. **Motors and drive components mounted on prefabricated base plates can become misaligned during shipment. Always check alignment after installation.**

## 4. Steel foundation

An engineered structural steel foundation should be designed to provide adequate rigidity and prevent loads from distorting the housing or causing misalignment of internal gears and shafts. When foot-mounting the gear reducer, a base plate or sole plate with suitable thickness (generally equal or greater than the thickness of the drive feet) should be securely bolted to steel supports and extend under the entire gear drive assembly. When flange-mounting the gear unit, the bulk head plate must be engineered to minimize buckling distortions and support the cantilevered weight of the gear unit or gear motor.

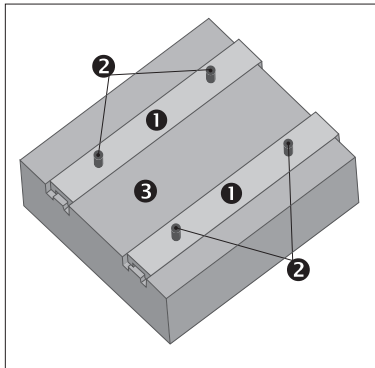
### NOTICE

Do not weld on the gear unit or use the gear unit as an earth or ground connection for any welding procedure as this may cause permanent damage to the bearings and gears.

## 5. Concrete foundation

If a concrete foundation is used, allow the concrete to set firmly before bolting down the gear drive. Grout structural steel mounting pads and bolts of sufficient size into the concrete, to adequately distribute the load stress onto the concrete foundation.

Figure 1: Concrete Foundation



- ① Grouted Structural Steel Mounting Pads
- ② Mounting Bolts
- ③ Concrete Foundation

## 6. Bolt connections for footed & flange mounted units

NORD footed reducers and flange-mount reducers (with B5 flange) have clearance designed into the mounting holes to allow for some minor adjustments in alignment. Bolt size, strength and quantity should be verified to insure proper torque reaction capacity whatever the mounting arrangement. Tightening torque for gear reducer mounting bolts, and recommended fastener grades, are provided in Table 2.

Table 2A: Tightening Torque for Inch Reducer Mounting Bolts

Thread Size (in)	Grade SAE 5 / ASTM A449		Grade SAE 8	
	(lb-ft)	(Nm)	(lb-ft)	(Nm)
1/4-20	7.1	9.6	10.0	13.6
5/16-18	16	21	22	30
3/8-16	28	37	39	53
1/2-13	69	93	98	132
5/8-11	138	188	195	264
3/4-10	247	334	348	472
7/8-9	396	537	558	757
1-8	592	802	833	1,130
1 1/8-7	-	-	1,233	1,672
1 1/4-7	-	-	1,717	2,327
1 3/8-6	-	-	2,267	3,073
1 1/2-6	-	-	2,983	4,045
1 3/4-5	-	-	4,458	6,045

- Calculated tightening torques are based a conventional 60°, clean and dry (un-lubricated) thread, with thread-friction and head-friction equal to 0.15.
- When using inch-fasteners, NORD recommends a minimum Grade SAE 5 (ASTM A-449) for sizes up to 1-8 UNC, and Grade SAE 8 for all larger sizes.

Table 2B: Tightening Torque for Metric Reducer Mounting Bolts

Above (mm)	ISO Grade 8.8		ISO Grade 10.9		ISO Grade 12.9	
	(lb-ft)	(Nm)	(lb-ft)	(Nm)	(lb-ft)	(Nm)
M4	2.4	3.2	3.5	4.7	4.1	5.5
M5	4.7	6.4	6.9	9.3	8.1	11
M6	8	11	12	16	14	19
M8	20	27	29	39	34	46
M10	39	53	58	78	67	91
M12	68	92	100	135	110	155
M14	107	145	159	215	180	250
M16	170	230	247	335	290	390
M18	240	325	343	465	400	540
M20	339	460	487	660	570	770
M22	465	630	664	900	770	1,050
M24	583	790	848	1,150	960	1,300
M27	848	1,150	1,217	1,650	1,440	1,950
M30	1,180	1,600	1,660	2,250	1,950	2,650
M36	2,050	2,780	2,884	3,910	3,470	4,710
M42	3,297	4,470	4,639	6,290	5,560	7,540
M48	4,940	6,700	7,010	9,500	8,260	11,200

- Calculated tightening torques are based on a conventional 60°, clean and dry (un-lubricated) thread, with thread-friction and head-friction equal to 0.15.
- When using metric-fasteners, NORD recommends a minimum ISO Grade 8.8 bolt.

## 7. Mounting the prime mover

When the motor is not flange mounted or integrally mounted to the gearbox, it is important to properly secure and align the gear drive with respect to the driven machine before attempting to align the prime mover or motor.

- After the main gear drive is properly aligned and bolted in place, align the prime mover with respect to the reducer input shaft.
- Use shims under the feet of the prime mover as needed, and secure in place with the proper mounting bolts. Dowel pins may be field-installed to help prevent misalignment and ensure proper realignment if removed for service.



### IMPORTANT NOTE

When using a high speed coupling connection between the prime mover and the reducer, check alignment per the coupling manufacturers recommendations. If the coupling is misaligned, the reducer alignment or shimming is incorrect. Re-align the gear reducer and re-check the high-speed coupling alignment before re-aligning the motor.



## 1. Solid shaft diameter tolerance

Reducer input and output shaft extensions have a diameter tolerance as specified in Table 1.

Table 1: Solid Shaft Diameter Tolerance

Above ø (in)	To & Including ø (in)	Tolerance (in)
0.375	1.750	+0.0000 / -0.0005
1.750	7.500	+0.0000 / -0.0010

Above ø (mm)	To & Including ø (mm)	Tolerance (mm)	ISO 286-2 Fit Class
10	18	+0.012 / +0.001	k6
18	30	+0.015 / +0.002	k6
30	50	+0.018 / +0.002	k6
50	80	+0.030 / +0.011	m6
80	120	+0.035 / +0.013	m6
120	180	+0.040 / +0.015	m6
180	190	+0.046 / +0.017	m6

## 2. Fitting drive elements onto the reducer solid shaft

Solid input and output shaft extensions are provided with a drill and tap feature as indicated in Table 2. When installing drive elements such as coupling hubs, pulleys, sprockets, or gears, NORD recommends using the threaded hole in the end of the shaft, along with a suitable assembly device fitted into the threaded hole.

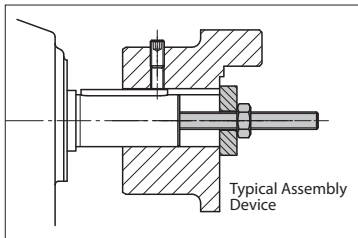


Table 2: Solid Shaft End - Threaded Holes

Above ø (in)	To & Including ø (in)	Tap Size & Depth (in)
0.375	0.500	10-24 x 0.43 in
0.500	0.875	1/4-20 x 0.59 in
0.875	0.938	5/16-18 x 0.71 in
0.938	1.100	3/8-16 x 0.87 in
1.100	1.300	1/2-13 x 1.10 in
1.300	1.875	5/8-11 x 1.42 in
1.875	3.500	3/4-10 x 1.73 in
3.500	7.500	1-8 x 2.63 in
5.125	8.875	1 1/4 - 7 x 3.15*
6.000	8.875	1 3/8 - 6 x 3.46**

Above ø (mm)	To & Including ø (mm)	Tap Size & Depth (mm)
10	13	M4 x 10 mm
13	16	M5 x 12.5 mm
16	21	M6 x 16 mm
21	24	M8 x 19 mm
24	30	M10 x 22 mm
30	38	M12 x 28 mm
38	50	M16 x 36 mm
50	85	M20 x 42 mm
85	130	M24 x 50 mm
130	225	M30 x 60 mm*
130	225	M36 x 74 mm**

\* Only used on the SK9096.1 Helical-Bevel Gear Unit.

\*\* Only used on the SK10382.1 & SK11382.1 CLINCHER™ gear units.

**NORD Gear Limited**

Toll Free in Canada: 800.668.4378

01.31.17

### NOTICE

**DO NOT DRIVE** or **HAMMER** the coupling hub, pulley, sprocket, or gear into place. An endwise blow to the reducer shaft can generate damaging axial forces and cause damage to the reducer housing, bearings or internal components.



### WARNING

To avoid serious injury the user must provide suitable safety guards for all rotating shafts and shaft components such as couplings, chain drives, belt drives, etc. All guarding must adhere to local regulations and safety standards.

## 3. Installing interference-fit hubs to the reducer shaft

Prior to installing any interference-fit hubs to the reducer shaft, consult with the manufacturer to determine proper assembly and fit. Interference-fits usually require heating the coupling, sprocket or gear hub, per the manufacturer's recommendations. Coupling hub installation typically follows ANSI/AGMA 9002-A86. Always make sure the reducer shaft seals are protected from the heat source. Apply uniform heat to the drive element hub to prevent distortion. NORD does not recommend heating the drive element hub beyond 212°F to 275°F (100°C to 135°C).



### WARNING

When using heat to mount a drive element hub, do not use open flame in a combustible atmosphere or near flammable materials. Use suitable protection to avoid burns or serious injury.



### IMPORTANT NOTE

When using external chain or belt drives, make sure the reducer is sized so that the shaft and bearings have adequate capacity. To avoid unnecessary bearing loads and additional shaft deflection, mount all power take-off devices (sprockets, pulleys, etc.) so that the applied load center is as close to the gear housing as possible and check component alignment and tension of any belts or chains per the manufacturer's recommendation. Do not over tighten the belts or chains.

**NORD Gear Corporation**

Toll Free in the United States: 888.314.6673

www.nord.com/docs

## 4. Coupling installation

The performance and life of any coupling depends upon how well it is installed. Coupling hubs are typically mounted flush with the shaft ends, unless specifically ordered for overhung mounting. Shaft couplings should be installed according to the coupling manufacturer's recommendations for gap, angular and parallel alignment. To help obtain critical shaft alignment coupling hubs may be installed to the machine shafts prior to final shimming or tightening of the foundation bolts. Proper coupling alignment allows for thermal and mechanical shaft movement during operation and ensures that only torque (no radial load) is transmitted between the mating shafts.

### Coupling gap and angular alignment

The shaft gap must be sufficient to accommodate any anticipated thermal or mechanical axial movement. When setting the coupling gap, insert a spacer or shim stock equal to the required spacing or gap between the coupling hub faces. Measure the clearance using feeler gauges at 90-degree intervals, to verify the angular alignment.

### Parallel (or offset) alignment

Mount a dial indicator to one coupling hub, and rotate this hub, sweeping the outside diameter of the other hub. The parallel or offset misalignment is equal to one-half of the total indicator reading. Another method is to rest a straight edge squarely on the outside diameter of the hubs at 90° intervals and measure any gaps with feeler gauges. The maximum gap measurement is the parallel or offset misalignment.

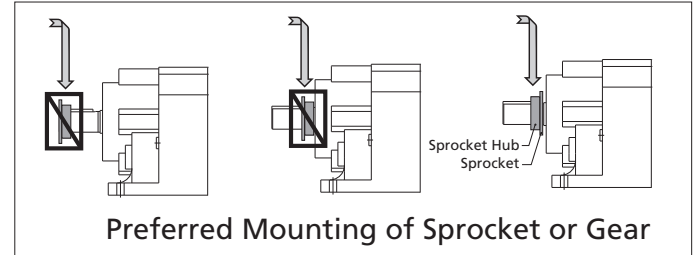
### Check alignment

After both angular and parallel alignments are within specified limits, tighten all foundation bolts securely and re-check critical alignment. If any of the specified limits for alignment are exceeded, realign the coupling.

## 5. Installing sheaves (pulleys), sprockets and gears

To avoid unnecessary bearing loads and additional shaft deflection, mount all power take-off devices (sprockets, pulleys, gears, etc.) so that the applied load center is as close to the gear housing as possible, as shown in **Figure 2**.

**Figure 2: Sprocket or Gear Mounting**



Align the driver sheave or sprocket with the driven sheave or sprocket by placing a straight-edge length-wise across the face of the sheaves or sprockets. Alignment of bushed sheaves and sprockets should be checked only after bushings have been tightened. Check horizontal shaft alignment by placing one leg of a square or a level vertically against the face of the sheave or sprocket.

Always check component alignment and tension any belts or chains per the manufacturer's recommendation. The ideal belt or chain tension allows proper wrap of the driver and driven wheels, while maintaining the lowest possible tension of the belts or chain, so that no slipping occurs under load conditions. Check belt or chain tension frequently over the first 24 to 48 hours of operation.



### **IMPORTANT NOTE**

When using external chain or belt drives, make sure the reducer is sized so that the shaft and bearings have adequate capacity. To avoid unnecessary bearing loads and additional shaft deflection, mount all power take-off devices (sprockets, pulleys, etc.) so that the applied load center is as close the gear housing as possible and check component alignment and tension of any belts or chains per the manufacturer's recommendation. Do not over tension the belts or chains.

## 6. Outboard pinion gear alignment

Align outboard pinion gears and adjust the gear tooth clearance according to the manufacturer's recommendations, checking for acceptable outboard pinion tooth contact. The foundation bolts may have to be loosened and the gear unit moved slightly to obtain proper gear tooth contact. After the unit is moved to correct tooth contact, the prime mover may need to be realigned.

## 1. Keyed hollow shaft design

NORD uses high quality carbon steel to manufacture hollow-shafts. Upon request, NORD can provide alternate materials, such as stainless steel. NORD hollow shafts are designed with a bore relief (reduced contact area) between the mating shafts.

The bore relief provides a cavity to hold an anti-seize assembly paste. It also acts as a design feature intended to help prevent corrosion and to facilitate gearbox removal from the solid shaft.

NORD furnishes dual keys designed to be used in each of the bore land areas, as opposed to supplying a single long key. The dual keys are intended to simplify assembly onto the machine's solid shaft.



### IMPORTANT NOTE

If a single shaft key or dual shaft keys are supplied by others, the key/s must engage the full bore-land length at each end of the hollow shaft.

## 2. Key and keyway dimensions

Unless otherwise indicated, inch keys and keyways follow the ANSI B17.1 standard and metric keys and keyways follow the DIN6885-1 standard. Inch bores will typically utilize square keys but in some instances the larger hollow shaft bore sizes utilize the alternate rectangular key shown in the ANSI B17.1 standard.

Key slots for the solid machine shaft should be made with a Class 2, transitional-fit class (slightly loose to slightly tight). Key slots in the female shaft are designed to be a low clearance fit. These suggested practices should allow for easier assembly with the mating solid shaft, without allowing excessive clearance which could cause keys to work loose during reducer operation.



### IMPORTANT NOTE

If the key fit is too tight, light filing of the key sides and hand-fitting of the keys may be required.

## 3. Keyed hollow-shaft bore tolerances

Standard keyed hollow-shaft bore tolerances are shown in the following table.

**Table 1 - Keyed hollow bore tolerances**

Above ø [in]	To and Including ø [in]	Bore Diameter Tolerance ø [in]
0.4375	1.6250	+0.0010 / -0.0000
1.6250	3.2500	+0.0012 / -0.0000
3.2500	7.0000	+0.0014 / -0.0000

Above ø [mm]	To and Including ø [mm]	Bore Diameter Tolerance ø [mm]
10	18	+0.018 / -0.000
18	30	+0.021 / -0.000
30	50	+0.025 / -0.000
50	80	+0.030 / -0.000
80	120	+0.035 / -0.000
120	180	+0.040 / -0.000
180	190	+0.035 / -0.000

Metric hollow bore tolerances per ISO286-2, Class H7

## 4. Suggested solid shaft (machine shaft) tolerances

NORD recommends a close fit of the customer-supplied solid shaft or machine-shaft, for the following reasons:

- To help minimize the potential for fretting and corrosion.
- To help prevent excessive free play in the shaft connection that could lead to excessive load stress on the driven system, the gear drive, or both.

**Table 2 - Suggested solid shaft tolerances**

Above ø [in]	To and Including ø [in]	Shaft Diameter Tolerance	
		Uniform Load ø [in]	Shock Load ø [in]
0.4375	0.8750	+0.0000 / -0.0005	+0.0000 / +0.0005
0.8750	4.5000	+0.0000 / -0.0010	+0.0000 / +0.0010
4.5000	7.0000	+0.0000 / -0.0012	+0.0000 / +0.0015

Above ø [mm]	To and Including ø [mm]	Shaft Diameter Tolerance	
		Uniform Load ① ø [mm]	Shock Load ② ø [mm]
10	18	+0.000 / -0.011	+0.012 / +0.001
18	30	+0.000 / -0.013	+0.015 / +0.002
30	50	+0.000 / -0.016	+0.018 / +0.002
50	80	+0.000 / -0.019	+0.021 / +0.002
80	120	+0.000 / -0.022	+0.025 / +0.003
120	180	+0.000 / -0.025	+0.028 / +0.003
180	190	+0.000 / -0.029	+0.033 / +0.004

① Uniform load: Mating shaft diameter tolerance per ISO286-2, class h6

② Shock load: Mating shaft diameter tolerance per ISO286-2, class k6

As indicated in Table 2, different solid shaft tolerances are suggested depending upon the load type.

- If the machine load conditions are considered “Uniform” a clearance fit is allowed.
- If the machine load conditions are considered to have “Shock Load” a light clearance to interference fit condition is suggested.

Typically the machine builder will have good knowledge as to the load type. As an alternate method to classify load type, one could follow the “Mass Acceleration Factor Selection Method” that is discussed in NORD’s product catalog/s.

Straightness, roundness, and diameter tolerance variations of both shafts should be controlled as accurately as possible. When mating, solid shaft design features are not controlled, reducer installation may be very difficult without ordering special hollow-bore design features to accommodate.

## NOTICE

The supporting solid shaft or driven machine shaft must be of adequate size and strength to withstand normal operating loads and peak loads without damage to itself or any of the system components.

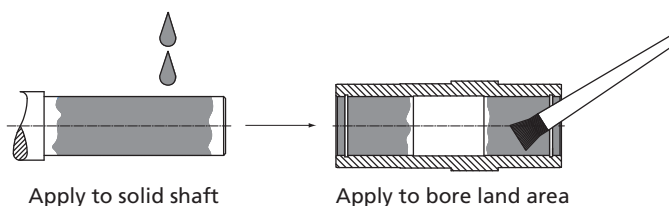
### 5. Suggested solid-shaft mating shaft surface finish

Controlling the mating shaft surface finish helps to assure proper fit and assembly while minimizing the possibility of corrosion and fretting. NORD recommends that the mating solid shaft surface should be at least 125 micro-inches (3.2 microns) or smoother.

### 6. Assembly to the machine shaft

- Clean and remove any dirt, grease, or rust-preventative coatings from both the reducer hollow shaft and the machine shaft.
- Make sure the edges of both the reducer hollow shaft and machine shaft are free from any nicks or burrs. If nicks or burrs are present remove them using an abrasive material such as an emery cloth.
- Before installing the gear reducer onto the machine shaft, apply an anti-seize compound or anti-corrosive lubricant to the mating shafts as shown in Figure 1. Assembly and subsequent dismantling will be aided by the anti-seize agent.

Figure 1 – Application of anti-seize to the mating shafts



- Fit the shaft key/s into place on the machine shaft. Depending upon the key slot design on the machine shaft, it may be necessary to stake or Loctite® the key/s into place so they do not slide axially while fitting the reducer to the shaft.
- Lift the gear unit assembly into place and align it carefully with respect to the machine shaft.
- Fit the gear unit assembly onto the machine shaft using a suitable pulling device.
- Secure the reducer onto the machine shaft in an axial direction, to prevent the reducer from shifting or walking out of place during operation.

## NOTICE

Do not use excessive force or try to hammer the gear unit into place. The housing, shafting, bearings or gear wheels may become damaged.

### 7. Securing the reducer onto the machine shaft

There are slight shaft oscillations during operation in any rotating shaft equipment or any shaft-mounted reducer assembly. Therefore it is important to secure the reducer in an axial direction onto the machine shaft, to prevent the reducer from shifting or walking out of place during operation.

Possible methods to secure the reducer axially to the machine shaft include:

- Using commercial set collars, retaining rings, or snap rings.
- Using the optional “NORD Fixing Element Kit” (see U10280).

The NORD Fixing Element Kit includes all of the necessary parts to secure the shaft by using a tapped hole in the end of the mating male shaft.

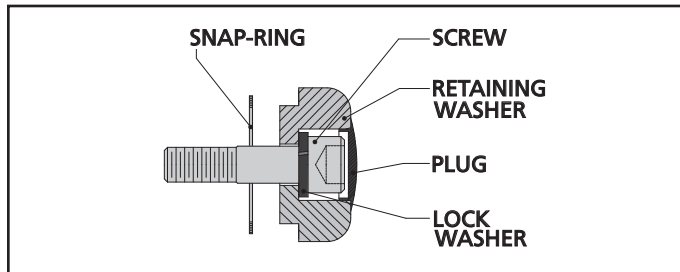
*Loctite® is a registered trademark of Loctite Corporation U.S.A. and Henkel.*



## 1. Shaft fixing kit - basic design

The NORD Fixing Kit provides a method for securing the reducer in an axial direction, after the keyed-hollow shaft reducer is mounted onto the machine shaft. The fixing kit prevents the reducer from shifting or walking out of place during operation. NORD offers a variety of standard fixing kits, based upon bore size, as shown on Page 2 of this manual.

Figure 1 – Fixing kit components



### IMPORTANT NOTE

For installation of the keyed-hollow bore reducer to the machine-shaft, see user manual U10270.

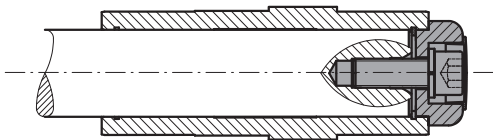
## 2. Assembly types

There are two types of assembly methods commonly used for securing the fixing kit.

Figure 2 – Fixing kit assembly methods

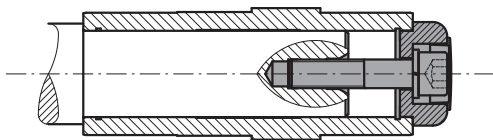
### Type 1

The machine-shaft is located against a fixed snap-ring located inside the bore of the reducer.



### Type 2

The machine shaft is shouldered and is pulled tight against the hollow-shaft; the snap-ring is no longer required.



### NOTICE

The maximum edge break on the solid machine shaft must not exceed the values shown on Page 2 of this manual. Otherwise the load-bearing capacity of the snap-ring will be reduced and may result in failure.

## 3. Assembly

- If using a Type 1 assembly, secure the appropriate snap-ring into the bore of the reducer. With Type 2 assembly, no snap-ring is required.
- Draw the hollow bore gear reducer onto the machine shaft as instructed in U10270. Remember to apply a suitable assembly paste or anti-seize compound to the mating shafts.
- Install the retaining washer over the end of the hollow bore.
- Secure the appropriate cap-screw into the machine shaft and tighten the screw based upon the assembly type, as noted below. Then install the protective plug over the screw hole.

### Type 1 - Screw tightening

Tighten until lightly snug and secure the screw with a thread-locking compound to prevent the screw from backing out.

### NOTICE

Over tightening the retaining screw may cause the snap ring to be pulled out of its seating groove, causing damage to the hollow-bore or snap ring.

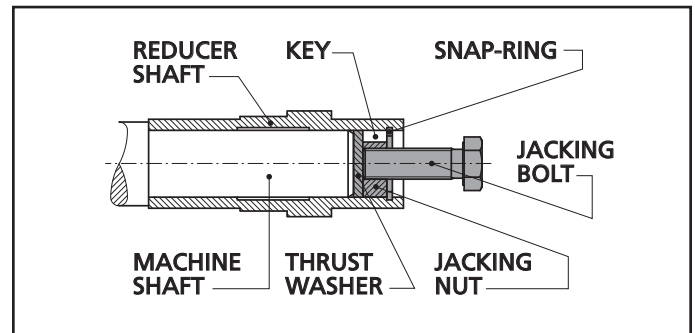
### Type 2 - Screw tightening

Follow the cap screw manufactures guidelines and tighten the screw to the proper torque, based upon the bolt grade and material. For reference tightening torque values, also see manual U10060, Table 2.

## 4. Disassembly

When using Type 2 assembly, it is possible to design a simple disassembly tool to allow easier removal of the hollow-bore reducer. The solid shaft is shouldered to rest against the hollow-bore of the reducer. The machine shaft is supported in both of the hollow bore land areas, but the overall length is reduced compared to Type 1 assembly.

Figure 3 – Disassembly Tool



### IMPORTANT NOTE

For suggestions on how to construct a disassembly tool for a particular reducer and bore size, please consult NORD's application engineering department.

## 5. Standard fixing kit size offerings

NORD offers a variety of standard fixing kit sizes as shown by the following tables.

Table 1 - Standard fixing kit size offerings

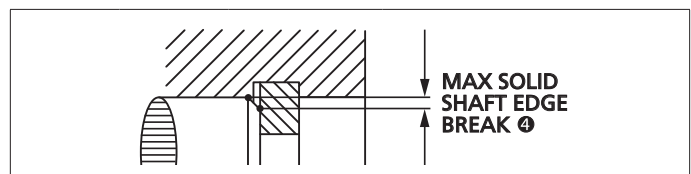
Shaft Bore [in]	Bolt Size	Allowable Thrust		Max. Edge Break ④ in [mm]
		Groove ② lb [N]	Ring ③ lb [N]	
0.500	10-32	730 [3255]	520 [2300]	0.02 [0.5]
0.750	1/4-20	1800 [7905]	560 [2500]	0.04 [1]
1.000	3/8-16	2900 [13020]	1000 [4600]	0.04 [1]
1.188	7/16-14	5100 [22630]	1000 [4700]	0.04 [1]
1.250	7/16-14	5100 [22630]	1000 [4700]	0.04 [1]
1.375	5/8-11	6500 [29140]	1400 [6400]	0.06 [1.5]
1.438	5/8-11	6900 [30690]	1500 [6500]	0.06 [1.5]
1.500	5/8-11	7800 [34875]	1500 [6700]	0.06 [1.5]
1.625	5/8-11	9900 [44020]	1900 [8400]	0.08 [2]
1.688	5/8-11	10500 [46810]	1800 [8200]	0.08 [2]
1.938	5/8-11	11100 [49600]	1900 [8400]	0.08 [2]
2.000	5/8-11	14100 [62775]	2700 [12100]	0.08 [2]
2.063	5/8-11	14100 [62775]	2700 [12100]	0.08 [2]
2.188	5/8-11	16800 [74865]	2900 [13000]	0.08 [2]
2.375	3/4-10	17400 [77190]	2900 [13000]	0.08 [2]
2.438	3/4-10	17400 [77190]	2900 [13000]	0.08 [2]
2.750	3/4-10	19600 [87110]	4700 [21000]	0.10 [2.5]
2.938	3/4-10	20900 [93000]	4700 [21000]	0.10 [2.5]
3.188	3/4-10	27700 [123225]	7000 [31200]	0.12 [3]
3.438	3/4-10	29300 [130200]	7000 [31400]	0.12 [3]
3.625	3/4-10	30900 [137330]	7000 [31400]	0.12 [3]
3.938	7/8-9	32400 [144305]	6900 [30800]	0.12 [3]
4.000	7/8-9	39000 [173600]	16400 [73000]	0.12 [3]
4.063	7/8-9	39000 [173600]	16400 [73000]	0.12 [3]
4.375	7/8-9	41500 [184450]	16200 [72000]	0.12 [3]
4.438	7/8-9	41500 [184450]	16200 [72000]	0.12 [3]
4.750	7/8-9	44200 [196850]	15700 [70000]	0.12 [3]
4.938	7/8-9	48000 [213900]	15500 [69000]	0.12 [3]

Upon request, additional hollow-bore sizes & fixing kit sizes may be offered.

Shaft Bore [mm]	Bolt Size	Allowable Thrust		Max. Edge Break ④ mm [in]
		Groove ② N [lb]	Ring ③ N [lb]	
16	M5	Not applicable ①		
20	M6	8370 [1900]	5600 [1300]	1.0 [0.04]
25	M10	12400 [2800]	7300 [1600]	1.0 [0.04]
30	M10	17515 [3900]	7200 [1600]	1.0 [0.04]
35	M12	29140 [6500]	8700 [1900]	1.5 [0.06]
40	M16	41850 [9400]	10900 [2400]	2.0 [0.08]
45	M16	46810 [10500]	10700 [2400]	2.0 [0.08]
50	M16	62775 [14100]	19000 [4300]	2.0 [0.08]
60	M20	74865 [16800]	29200 [6600]	2.0 [0.08]
70	M20	87110 [19600]	30300 [6800]	2.5 [0.10]
80	M20	115630 [26000]	56000 [12600]	2.5 [0.10]
90	M24	130200 [29300]	56000 [12600]	3.0 [0.12]
100	M24	144305 [32400]	55000 [12400]	3.0 [0.12]
110	M24	181350 [40800]	71000 [16000]	3.0 [0.12]
120	M24	196850 [44300]	70000 [15700]	3.0 [0.12]

Upon request, additional hollow-bore sizes and fixing kit sizes may be offered.

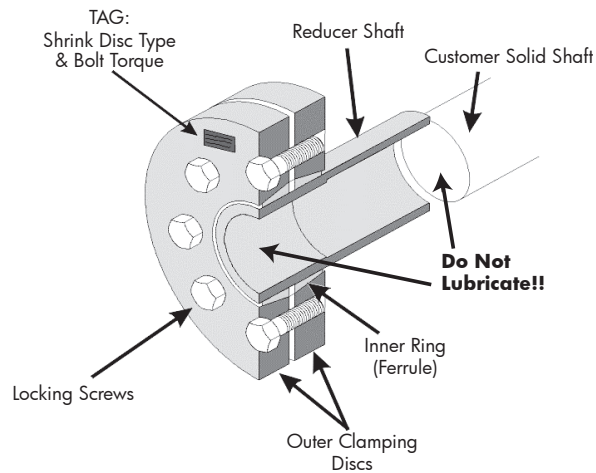
- This fixing kit is not supplied with a snap-ring. A Type 2 machine shaft is required.
- Thrust load-bearing capacity of the groove is based upon using a hollow-shaft material with a yield-strength of at least 45,000 psi (310 N/mm<sup>2</sup>).
- Thrust load-bearing capacity of the snap-ring is based upon a typical snap-ring material with a yield-strength of at least 30,500 psi (210 N/mm<sup>2</sup>).
- On the solid machine shaft, observe the maximum edge break (radius or chamfer) shown. A larger edge break will result in reduced load-bearing capacity of the snap-ring.



## 1. Shrink disc design concept

A shrink disc option is adaptable to many NORD hollow-bore reducers. The shrink disc applies a high-capacity, zero backlash, interference fit to the driven machine shaft. The double tapered inner ring converts most all of the screw clamping load into radial contact pressure, as the outer clamping discs are pulled together by proper tightening of the locking screws. As the inner ring is contracted, the clearance between the customer solid shaft and reducer shaft is absorbed.

- In their relaxed state, shrink discs provide a generous assembly clearance, thus eliminating the typical assembly and disassembly challenges of using interference fits.
- Shrink discs also reduce solid machine shaft stresses by eliminating the need for shaft keys and keyways.
- When properly applied, high shrink fits help eliminate shaft fretting corrosion and allow for easier shaft mounting and dismounting.



## 2. Solid (machine) shaft design guidelines

Always use a solid shaft material of adequate strength and apply proper shaft fits in order to establish adequate clamping force during assembly and assure proper shaft release during disassembly.

- Use solid shaft material with yield strength of at least 52,260 psi (360 N/mm<sup>2</sup>).
- The solid machine shaft should be machined according to ISO 286-2, Class h6 fit tolerances, with a shaft finish of 125 micro inches (3.2 μm) or smoother, per Table 1.
- The solid machine shaft must extend the full length of the reducer hollow shaft.



### IMPORTANT NOTE

Contact NORD when using a shrink disc in an application where the shrink disc connection must simultaneously transmit torque and thrust.

## 3. Safety

### NOTICE

- The supporting solid shaft or driven machine shaft must be of adequate size and strength to withstand normal operating loads and peak loads without damage to itself or any of the system components.
- The transmissible torque and the gripping capacity of the shrink disc may be reduced if shaft tolerances or clearances are larger than specified.
- Excessive tightening torque can result in permanent deformation of the inner ring and the reducer hollow bore, making disassembly very difficult. Do not over tighten the shrink disc to compensate for excessive clearance between the machine shaft and reducer bore.
- Observe the published ratings and safety factors for both the reducer and shrink disc. Overload conditions or excessively high torque can cause the shrink disc connection to slip. In extreme cases localized galling or welding of components may occur.

## 4. Shrink disc shaft tolerances

Recommended solid shaft tolerances and reducer bore tolerances are shown in the table below.

Table 1: Shrink disc shaft tolerances

Above & Including ø [in]	To & Including ø [in]	Solid Shaft Tolerance ø [in]	Reducer Bore Tolerance ø [in]	Max. Assembly Clearance [in]
0.7500	1.1250	+0.0000 / -0.0005	+0.0008 / -0.0000	0.0013
1.1250	1.9375	+0.0000 / -0.0006	+0.0009 / -0.0000	0.0015
2.0000	3.1250	+0.0000 / -0.0007	+0.0011 / -0.0000	0.0018
3.1875	4.6875	+0.0000 / -0.0008	+0.0013 / -0.0000	0.0021
4.7500	7.0625	+0.0000 / -0.0009	+0.0015 / -0.0000	0.0024
7.1250	7.5000	+0.0000 / -0.0011	+0.0018 / -0.0000	0.0029

Above ø [mm]	To & Including ø [mm]	Solid Shaft Tolerance ø [mm]	Reducer Bore Tolerance ø [mm]	Max. Assembly Clearance [mm]
18	30	+0.000 / -0.013	+0.021 / -0.000	0.034
30	50	+0.000 / -0.016	+0.025 / -0.000	0.041
50	80	+0.000 / -0.019	+0.030 / -0.000	0.049
80	120	+0.000 / -0.022	+0.035 / -0.000	0.057
120	180	+0.000 / -0.025	+0.040 / -0.000	0.065
180	190	+0.000 / -0.029	+0.046 / -0.000	0.075

Shaft/bore tolerances per ISO 282-6, Class h6/H7.

Solid shaft finish should be 125 micro inches (3.2 micro meters) or smoother.



# HOLLOW SHAFT WITH SHRINK DISC



DRIVESYSTEMS

RETAIN FOR FUTURE USE

U10290 - 2 of 2

## 5. Installation

**WARNING**

Disconnect all power sources from the equipment before beginning this installation procedure. Gearmotors, variable frequency drives and gear reducers contain potentially dangerous high voltage, rotating components and surfaces that may become hot during operation. Handle the components with care and avoid all sharp machined edges to prevent personal injury.

**NOTICE**

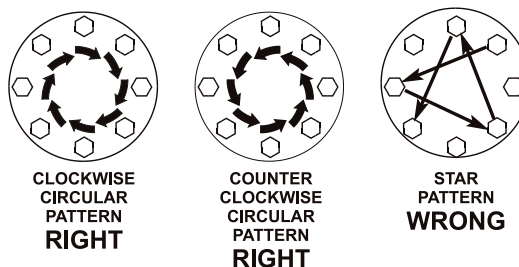
Do not tighten any of the shrink disc locking screws prior to installing the reducer with shrink disc onto the machine shaft. The inner ring of the shrink disc can become permanently contracted or damaged at relatively low tightening torque.

- Inspect the gear unit received. Make sure the shrink disc and extended hollow shaft projection is on the side of the reducer where it was specified or ordered.
- Loosen the shrink disc locking screws but do not take the shrink disc completely apart. Remove and discard any packaging material or transportation spacers that come with the shrink disc.
- Remove all burrs, rust, corrosion, lubricants, and foreign matter from the surfaces of the solid shaft and hollow-bore.
- Make sure the shrink disc is positioned onto the hollow shaft until the outer clamping ring is flush with the edge of the hollow shaft.
- To aid in assembly, it is acceptable to lightly grease the solid shaft, only in the area that will come in contact with the bronze-bushing side of the reducer hollow-shaft. **The reducer hollow shaft must be completely de-greased and free of lubricant, especially in the area of the shrink disc.**
- Position the gear reducer onto the solid machine shaft and make certain the area under the shrink disc is completely supported by the solid shaft.
- After confirming the proper positioning of gear reducer and the shrink disc, hand tighten (3) or (4) equally spaced locking screws to make sure the outer collars of the shrink disc are drawn together in a parallel fashion. Then hand-tighten the remaining screws.
- Refer to Table 2 for the specified tightening torques for the shrink disc locking screws. Using a properly set torque wrench using approximately ¼ (90°) turns; tighten the locking screws, by working in a circular clockwise or counterclockwise sequence around the shrink disc.
- Continue the tightening sequence (Step H.) even if some locking screws initially require very low tightening torque to achieve ¼ turns; do this for several passes until ¼ turns can no longer be achieved.
- Reset the torque wrench to approximately 3-5% over-torque and tighten the locking screws for 1 or 2 more passes. This procedure will compensate for relaxation of the locking screws, since tightening of a given screw will always tend to relax the adjacent screw. Without a slight overtightening of the screws, an infinite number of passes would be required to reach the desired tightening torque.

Table 2 - Shrink Disc Locking Screw Torque

Screw Size	Wrench Size [mm]	Tightening Torque		
		[Nm]	[lb-in]	[lb-ft]
M5	8	7	62	5.2
M6	10	12	106	8.9
M8	13	30	266	22
M10	17	59	522	44
M12	19	100	885	74
M16	24	250	2213	184
M20	30	490	4337	361
M24	36	840	7435	620
M30	46	1700	15050	1254

### BOLT TIGHTENING PATTERN



- Reset the torque wrench to the correct tightening torque as indicated in Table 2. Make sure each locking screw has been properly tightened until the screws are no longer turning at the specified torque wrench setting. If necessary repeat Steps G. & H.

## 6. Removal

- Loosen the shrink disc locking screws in a circular pattern by using ½ (180°) turns, until the shrink disc hub can be moved or until the shrink disc hub and reducer shaft will return to their original fits.

**WARNING**

Do not completely remove the locking screws before the outer clamping disks of the shrink disc are disengaged from the inner ring. A sudden release of the outer collars will create high separating forces and could result in injury or even death.

- Loosen the outer collars of the shrink disc from the tapered inner ring. This may require tapping the bolts with a **soft faced** hammer or prying lightly between the outer collars.
- Remove the gear reducer from the machine shaft.

## 7. Re-installation

- It may be possible to re-use the shrink disc. However the shrink disc should not be re-used if it becomes damaged during removal, or excessively rusty or corroded. Shrink discs must always be disassembled and thoroughly cleaned before re-using.
- After cleaning the shrink disc, lubricate between the taper of the outer clamping disks and the outside of the inner ring using MOLYKOTE® G-Rapid Plus Paste (product of Dow Corning) or equivalent. In addition, grease screw threads and head contact area with multi-purpose grease.



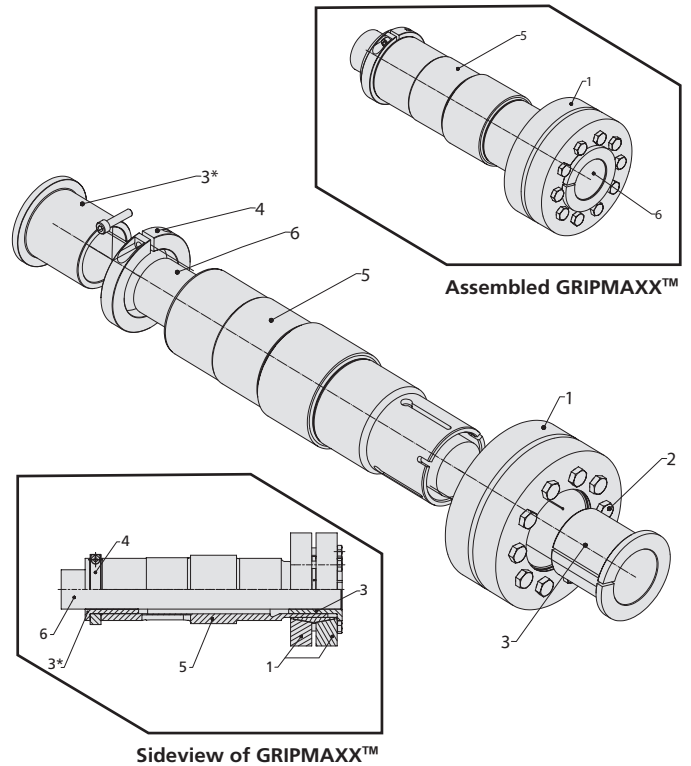
## 1. General information

The NORD GRIPMAXX™ keyless bushing system is adaptable to most all NORD shaft-mounted reducers. The bushing system offers interchangeable bushings to accommodate a large range of driven machine-shaft sizes.

The unique design of the NORD GRIPMAXX™ bushing system offers a number of distinct advantages as follows:

- The NORD GRIPMAXX™ allows the machine builder to utilize standard cold finished shaft stock, without the need for additional shaft machining or shaft keys.
- It uses a NORD shrink disc to apply a high-capacity, zero backlash, interference fit to the driven machine shaft, while eliminating the typical assembly and disassembly challenges of using interference fits.
- The built in clearance between the customer shaft and the bushing system helps to ensure easy installation and removal of the gearbox. To help ensure easy removal, the NORD GRIPMAXX™ bushings are prepared with a special low-wear, corrosion-resistant hardened surface treatment, that minimizes the formation of shaft corrosion and fretting.
- The NORD GRIPMAXX™ is ideal for start-stop operation and bi-directional loading because it does not depend on keys or keyways that transmit torque, which can also become loose or deform when subjected to these loading conditions.
- Unlike the typical conical or tapered bushing kits, the NORD GRIPMAXX™ design allows a tight fit against a shouldered machine shaft.
- The torque bushing and support bushing are the same part and are fully interchangeable with one another.

## 2. GRIPMAXX™ assembly detail



- |                             |                               |
|-----------------------------|-------------------------------|
| [1] NORD Shrink Disc        | [4] Clamp Ring                |
| [2] Locking Screw           | [5] Gear Reducer Hollow Shaft |
| [3] Bushing (Torque Side)   | [6] Machine Shaft             |
| [3*] Bushing (Support Side) |                               |

**IMPORTANT NOTE**

NORD recommends that the machine shaft have a yield strength of at least 52,260psi (360N/mm<sup>2</sup>)

**IMPORTANT NOTE**

Observe the recommended machine shaft tolerances in table 1, page 2.

**NOTICE**

The supporting solid shaft or driven machine shaft must be of adequate size and strength to withstand normal operating loads and peak loads without damage to itself or any of the system components.

### 3. Installation

	<h2>WARNING</h2>
<p>Disconnect all power sources from the equipment before beginning this installation procedure. Gear-motors, variable frequency drives and gear reducers contain potentially dangerous high voltage, rotating components and surfaces that may become hot during operation. Handle the components with care and avoid all sharp or machined edges to prevent personal injury.</p>	

<h2>NOTICE</h2>
<p>Do not tighten any of the shrink disc locking screws prior to installing the reducer with shrink disc onto the machine shaft. The inner ring of the shrink disc can become permanently contracted or damaged at a relatively low tightening torque.</p>

**Table 1 - Required Machined Shaft Tolerance**

Inch Machine Shaft			Metric Machine Shaft		
From	To	ISO 286-2 Tolerance h11(-)	Over	Including	ISO 286-2 Tolerance h11(-)
∅ [in]	∅ [in]	[in]	∅ [mm]	∅ [mm]	[mm]
0.4375	0.6875	- 0.004	10	18	- 0.11
0.7500	1.0625	- 0.005	18	30	- 0.13
1.1250	1.9375	- 0.006	30	50	- 0.16
2.0000	3.1250	- 0.007	50	80	- 0.19
3.1875	4.6875	-0.008	80	120	-0.22
4.7500	7.0625	-0.009	120	180	-0.25

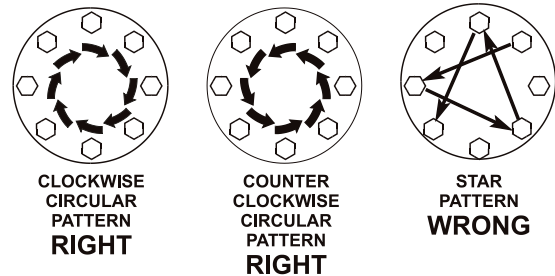
- A. Carefully inspect the machine shaft [6] and remove all burrs, rust, corrosion, lubricants, and foreign matter from the shaft surface. Verify that the diameter is within the dimensional tolerances shown in Table 1.
- B. Inspect the gear unit received to confirm the correct position of the shrink disc [1]. Make sure the hollow shaft [5] projection is on the side of the reducer where it was specified or ordered.
- C. In addition to cleaning the machine shaft [6], remove all dirt, grease or oils from the reducer hollow shaft [5], bushings [3], clamp ring [4], and shrink disc [1]. **Do not apply lubricants, corrosion preventatives, anti-sieze compounds or coatings to the mating surfaces of the shaft, bushings, clamp collars or shrink disc.**
- D. Position the clamp ring [4] and support bushing [3\*] over the machine shaft [6], making sure the support bushing is in its desired location. Then secure the support bushing [3\*] with the clamp ring [4] and tighten the clamp ring screw.
- E. Slide the gear reducer onto the machine shaft [6] until the gear reducer stops against the secured support bushing [3\*].

- F. Without taking the shrink disc [1] apart, loosen the shrink disc locking screws [2]. Slide the shrink disc over the reducer shaft [5] and slide the torque bushing [3] onto the machine shaft, making sure it is seated completely.
- G. Confirm the positioning of the shrink disc [1] and torque bushing [3]. **Do not tighten the shrink disc until the machine shaft and torque bushing are in proper position, or the reducer shaft will be damaged.** Hand-tighten 3 or 4 or locking screws [2] and make sure the outer collars of the shrink disc are drawn together in a parallel fashion and then hand-tighten the remaining screws.
- H. Refer to Table 2 for the specified tightening torques for the shrink disc locking screws. Using a properly set torque wrench using approximately ¼ (90°) turns; tighten the locking screws, by working in a circular clockwise or counterclockwise sequence around the shrink disc.
- I. Continue the tightening sequence (Step H.) even if some locking screws initially require very low tightening torque to achieve ¼ turns; do this for several passes until ¼ turns can no longer be achieved.
- J. Reset the torque wrench to approximately 3-5% over-torque and tighten the locking screws for 1 or 2 more passes. This procedure will compensate for relaxation of the locking screws, since tightening of a given screw will always tend to relax the adjacent screw. Without a slight overtorquing of the screws, an infinite number of passes would be required to reach the desired tightening torque.

**Table 2 - Shrink Disc Locking Screw Torque**

Screw Size	Wrench Size [mm]	Tightening Torque		
		[Nm]	[lb-in]	[ft-lb]
M5	8	7	62	5.2
M6	10	12	106	8.9
M8	13	30	266	22
M10	17	59	522	44
M12	19	100	885	74
M16	24	250	2213	184
M20	30	490	4337	361

### BOLT TIGHTENING PATTERN



- K. Reset the torque wrench to the correct tightening torque as indicated in Table 2. Make sure each locking screw has been properly tightened until the screws are no longer turning at the specified torque wrench setting. If necessary repeat Steps G. & H.

## 5. Bushing kit removal

- A. Loosen the shrink disc locking screws [2] in circular pattern by using ½ (180°) turns, until the shrink disc hub can be moved or until the shrink disc hub and reducer shaft will return to their original fits.



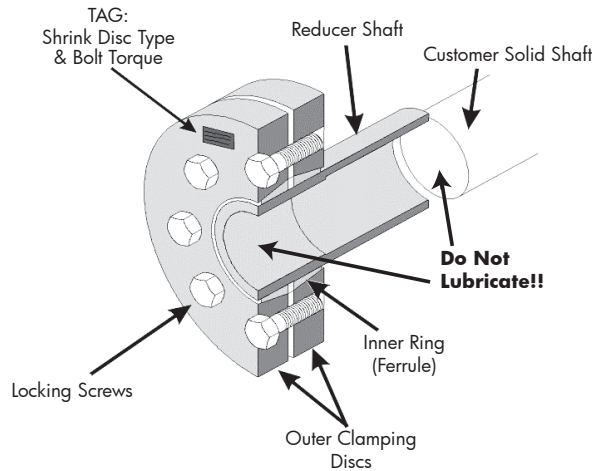
### WARNING

Do not completely remove the locking screws before the outer clamping disks of the shrink disc are disengaged from the inner ring. A sudden release of the outer collars will create high separating forces and may result in injury or even death.

- B. Loosen the outer collars of the shrink disc from the tapered inner ring. This may require tapping the bolts with a **soft faced** hammer or prying lightly between the outer collars.
- C. Remove the gear reducer from the machine shaft.

## 6. Re-installation

- A. It may be possible to re-use the bushings and shrink disc that are part of the NORD bushing system. However these components should not be re-used if they are damaged during removal, or excessively rusty or corroded.
- B. Never re-use any of the bushing kit components without prior cleaning. Shrink discs must always be disassembled and thoroughly cleaned before re-using.
- C. After cleaning the shrink disc, lubricate between the taper of the outer clamping disks and the outside of the inner ring using MOLYKOTE® G-Rapid Plus Paste (product of Dow Corning) or equivalent. In addition, grease screw threads and head contact area with multipurpose grease.



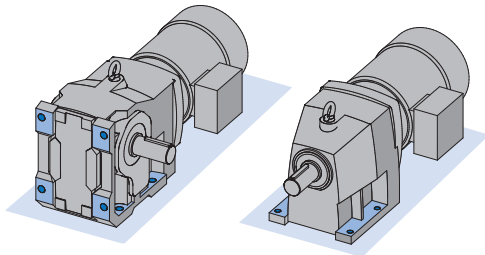


# REDUCER MOUNTING FOOTED & FLANGE MOUNT GEAR UNITS



## 1. Foot-mounted reducers

When installing the foot-mounted gear unit, observe the flatness specifications and bolt tightening torque guidelines provided in U10060 and make sure the mating mounting surface and reducer feet are clean and free of debris. Use of shims under the feet of the gear unit may be required in order to align the output shaft to the driven equipment. Make sure that all feet are supported so that the housing will not distort when it is bolted down. Improper shimming will cause mis-alignment and may reduce the life of the gear unit or cause component failure. Dowel pins may be field-installed to help prevent misalignment and ensure proper realignment if removed for service.



**i** **IMPORTANT NOTE**

Gear units may be subjected to radial loads or side pull, caused by external chain drives or belt drives. In these instances it is recommended that the mounting base be designed with a slide-plate adjustment to accommodate extra slack in the chain or the belt after the feet are loosened. When using an external chain or belt drive, make sure the reducer is sized so that the shaft and bearings have adequate capacity.

## 2. Flange-mounted reducers (with B5 flange)

When using the B5 flange to mount the gear unit, the bulk head plate must be engineered to minimize buckling distortions and support the cantilevered weight of the gear reducer or gearmotor. When the mating hole is designed with the proper fit, the flange pilot tenon provides a means of accurately positioning the reducer while the hold-down bolts are properly secured; once the reducer is secured, the tenon helps prevent movement of the reducer and it helps locate the center of the reducer output shaft. The flange centering shoulder tolerance for standard units is listed in table 1. For units with NSD Tugh please see table 2 on the following page.

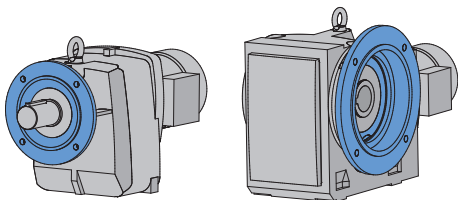


Table 1 : Flange Centering Shoulder Tolerance

Above ø (in)	To & Including ø (in)	Tolerance (in)	ISO 286-2 Fit Class
1.969	3.150	+0.0005 / -0.0003	j6
3.150	4.724	+0.0005 / -0.0004	j6
4.724	7.087	+0.0006 / -0.0004	j6
7.087	9.055	+0.0006 / -0.0005	j6
9.055	9.843	+0.0000 / -0.0011	h6
9.843	12.402	+0.0000 / -0.0013	h6
12.402	15.748	+0.0000 / -0.0014	h6
15.748	19.685	+0.0000 / -0.0016	h6
19.685	21.654	+0.0000 / -0.0017	h6

Above ø (mm)	To & Including ø (mm)	Tolerance (mm)	ISO 286-2 Fit Class
50	80	+0.012 / -0.007	j6
80	120	+0.013 / -0.009	j6
120	180	+0.014 / -0.011	j6
180	230	+0.016 / -0.013	j6
230	250	+0.000 / -0.029	h6
250	315	+0.000 / -0.032	h6
315	400	+0.000 / -0.036	h6
400	500	+0.000 / -0.040	h6
500	550	+0.000 / -0.044	h6

When installing the flange mounted gear unit, observe the flatness specifications and bolt tightening torque guidelines provided in U10060. Make sure the mating mounting surface and reducer flange are clean and free of debris. Use a straight edge or parallel bar to check for high spots on the mating mounting surface and remove any raised material around the mounting holes.

Set the gear unit into place and tighten the bolts until they are snug. Before final bolt-tightening check for any material gaps between the mating surfaces and if shimming is required, use "U" shaped shims at least 2 times the width of the bolt. Avoid over shimming a very irregular surface as this will make it very difficult to achieve proper alignment.

**i** **IMPORTANT NOTE**

For heavy shock applications, it is advisable to field-install dowel pins through the mounting flange connection (in addition to the mounting bolts). This will help control flange movement or flange rotation and relieve the mounting bolts from this additional stress.

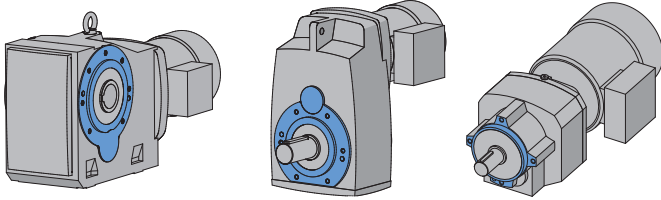


# REDUCER MOUNTING FOOTED & FLANGE MOUNT GEAR UNITS



### 3. Flange-mounted reducers (with B14 flange)

When using the B14 flange to mount the gear unit, the bulk head plate must be engineered to minimize buckling distortions and support the cantilevered weight of the gear reducer or gearmotor. When properly installed, the output flange of the reducer housing is designed to enable the permissible torques and radial forces to be reliably transmitted by the bolt connections. The flange centering shoulder tolerance for standard units is listed in table 1 on the previous page. For units with NSD Tuph please see table 2 below.



**i** **IMPORTANT NOTE**

When using the B14 flange-face for mounting, if dowel pin holes are provided in addition to the threaded holes, then it is advisable to also use the proper dowel pins, to help control flange movement or flange rotation and relieve the mounting bolts from this additional stress. This is especially important for heavy shock applications.

Table 2 : Flange Centering Shoulder Tolerance on NSD Tuph Units

Above ø (in)	To & Including ø (in)	Tolerance (in)
1.969	3.150	+0.0020 / +0.0013
3.150	4.724	+0.0021 / +0.0012
4.724	7.087	+0.0021 / +0.0011
7.087	9.055	+0.0022 / +0.0011

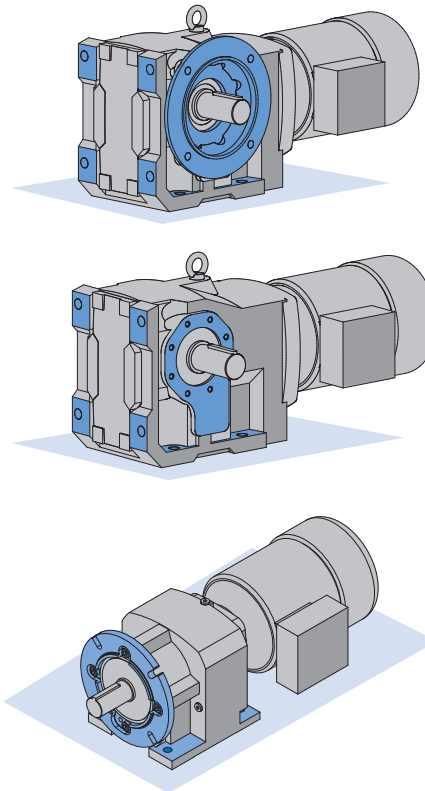
Above ø (mm)	To & Including ø (mm)	Tolerance (mm)
50	80	+0.052 / +0.033
80	120	+0.053 / +0.031
120	180	+0.054 / +0.029
180	230	+0.056 / +0.027

### 4. Foot & flange reducer housings

Some gear reducer housings are available with a foot and an output flange. Units with a foot and a B5 Flange are designated with the suffix XF after the primary model number and units with a B14 face-flange are designated with the suffix XZ after the primary model number. When a gear unit is provided with both a foot and a flange, the foot is considered the primary mounting surface. The flange is generally considered to be the secondary mounting option and it is intended that this surface be used for auxiliary add on elements that place minimal load stress on the reducer housing.

**NOTICE**

To prevent overstress on the main gear unit housing, never tighten the reducer mounting feet and the mounting flange against one-another. Auxiliary add-on elements that are mounted to the reducer flange, must not transmit excessive force, torque or vibration to the main gear housing.







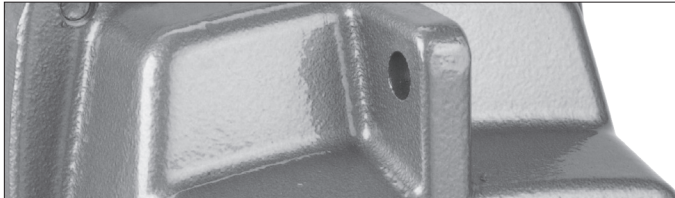
# CLINCHER™ SHAFT-MOUNT WITH RUBBER BUFFERS



## 1. Purpose of the built-in torque arm lug

The preferred method of installing a shaft-mounted Clincher™ reducer is to support the weight of the gear unit or gearmotor assembly from the driven solid machine shaft. In order to restrain the gearbox, react the torque, and keep the gear unit from spinning around the shaft, the Clincher™ gear units have a built-in torque arm lug or tab cast into the reducer housing. This torque tab is intended to be used in conjunction with the NORD Rubber Buffers.

Figure 1: Built-in torque lug



## 2. Rubber buffers

When specified, NORD provides two rubber buffers that are installed on either side of the gear unit's integral torque lug.

When properly used in tandem, on either side of the torque-arm lug, the rubber buffers help isolate and absorb the load forces present in the system and increase the reducer's service life by reducing cumulative torsional shock loads.

- The primary load force acts in the direction of driven shaft rotation, reacts the torque of the reducer, keeping the gearbox from spinning on the shaft.
- Additional forces present themselves in the direction opposite of the shaft rotation, due to the typical slight out-of-round condition present in the machine shaft. This condition is the reason most shaft mounted-reducers have a slight shaft-wobble, which is normal.

For further dampening it is possible to combine several rubber buffers in a row, on either side of the torque lug.

**i** **IMPORTANT NOTE**

Please reference Table 1 on page 2 of this manual for dimensional information.

**NOTICE**

Always mount at least one rubber buffer on either side of the reducer's torque-arm lug. When using rubber buffers in tandem, make sure equal numbers are used on both sides of the torque tab. Failure to do so will not properly cushion the reducer and can result in excessive binding, bearing stress, and damage to the reducer.

## 3. Machine support

**! WARNING**

It is the responsibility of the machine builder to design a support bracket of adequate strength and rigidity, and supply an appropriate tightening bolt assembly. Failure to do so may result in injury caused from a damaged or broken torque-reaction assembly.

A single customer-supplied machine support bracket, of adequate strength and rigidity, can provide adequate restraint for both directions. This is because when the rubber buffer system is used, the applied load forces are always parallel to the retaining bolt and there are no twisting forces induced onto the bolt in either the clockwise or counter-clockwise direction. In some cases the customer may desire to supply a rigid support on either side of the rubber buffers. In these instances, longer assembly hardware is required.

## 4. Installation of the rubber buffers

- Install the Clincher™ hollow bore reducer onto the machine shaft. Line up the hole in the reducer's torque-arm lug with the hole in the machine's support bracket and temporarily hold the reducer in place.
- Properly secure the gear unit assembly to the driven shaft in an axial direction. If using the NORD Shaft Fixing Kit, follow the instructions in User Manual U10280.
- Install the rubber buffers on either side of the gear unit's torque-arm lug. Apply a thread locking compound to the end of the fixing bolt. Then place the fixing bolt through the rubber buffers, torque-arm lug and rigid machine support bracket and loosely secure the nut onto the end of the bolt.
- Tighten the fixing bolt and nut until lightly snug until all of the free play is eliminated from the rubber buffer assembly. Then snug the fixing bolt assembly by tightening an additional 1/4 to 1/2 turn.

**NOTICE**

To help prevent damage to the rubber buffers, avoid over-tightening.

**i** **IMPORTANT NOTE**

- A min. of (2) rubber buffers are required for each unit.
- For larger size CLINCHER'S™, NORD offers the heavy-duty rubber buffer (Option VG).
- A metric fixing bolt is preferred for rubber buffer assembly. NORD recommends a minimum ISO Grade 8.8 fixing bolt.



# CLINCHER™ SHAFT-MOUNT WITH RUBBER BUFFERS

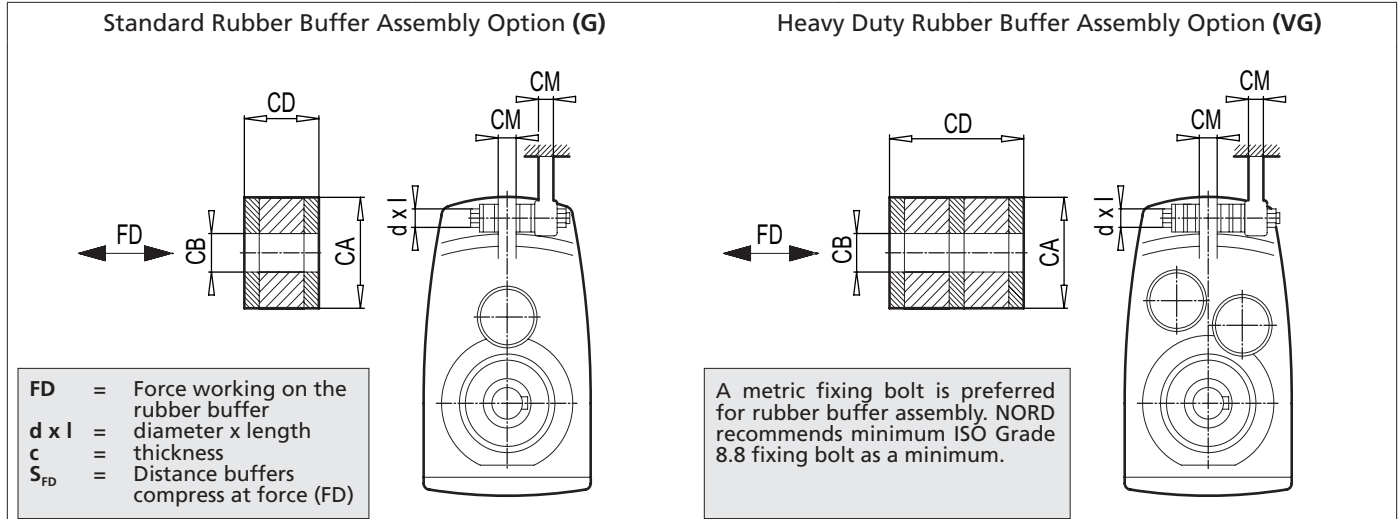


DRIVESYSTEMS

RETAIN FOR FUTURE USE

U10580 - 2 of 2

Table 1: Rubber buffer assembly/typical dimensions



Type	Rubber Buffer P/N	CB inch [mm]	CA inch [mm]	CD inch [mm]	CM inch [mm]	Bolt d x l [metric]	FD lb [kN]	SFD inch [mm]
SK0182NB G	29603000	0.43 [11]	1.18 [30]	0.59 [15]	0.39 [10]	M10 x 70	217 [0.967]	0.06 [1.5]
SK0282NB G	29603000	0.43 [11]	1.18 [30]	0.59 [15]	0.47 [12]	M10 x 70	234 [1.04]	0.07 [1.7]
SK1282 G	29603000	0.43 [11]	1.18 [30]	0.59 [15]	0.55 [14]	M10 x 80	504 [2.24]	0.14 [3.6]
SK1382NB G	29603000	0.43 [11]	1.18 [30]	0.59 [15]	0.55 [14]	M10 x 80	402 [1.79]	0.11 [2.8]
SK2282 G	29604000	0.49 [12.5]	1.57 [40]	0.59 [15]	0.63 [16]	M12 x 90	600 [2.67]	0.07 [1.8]
SK3282 G	29604000	0.49 [12.5]	1.57 [40]	0.59 [15]	0.71 [18]	M12 x 90	935 [4.16]	0.11 [2.9]
SK4282 G	29606000	0.83 [21]	2.36 [60]	1.18 [30]	0.87 [22]	M20 x 150	1661 [7.39]	0.29 [7.3]
SK5282 G	29606000	0.83 [21]	2.36 [60]	1.18 [30]	1.1 [28]	M20 x 150	2133 [9.49]	0.37 [9.4]
SK6282 G	29608000	0.98 [25]	3.15 [80]	1.57 [40]	1.38 [35]	M24 x 190	3779 [16.81]	0.36 [9.2]
SK7282 G	29608000	0.98 [25]	3.15 [80]	1.57 [40]	1.57 [40]	M24 x 200	4676 [20.8]	0.45 [11.4]
SK8282 G	29610000	1.22 [31]	3.94 [100]	1.97 [50]	1.97 [50]	M30 x 260	6382 [28.39]	0.64 [16.3]
SK9282 G	29610000	1.22 [31]	3.94 [100]	1.97 [50]	2.17 [55]	M30 x 260	9777 [43.49]	0.98 [24.9]

Type	Rubber Buffer P/N	CB inch [mm]	CA inch [mm]	CD inch [mm]	CM inch [mm]	Bolt d x l [metric]	FD lb [kN]	SFD inch [mm]
SK7282 VG	29620850	0.98 [25]	3.35 [85]	2.36 [60]	1.57 [40]	M24 x 240	4676 [20.8]	0.48 [12.2]
SK8282 VG	29621100	1.22 [31]	4.33 [110]	3.54 [90]	1.97 [50]	M30 x 340	6382 [28.39]	0.76 [19.3]
SK9282 VG	29621400	1.22 [31]	5.51 [140]	4.33 [110]	2.17 [55]	M30 x 380	9777 [43.49]	0.83 [21.2]
SK10282 VG	29621800	1.22 [31]	5.51 [140]	4.33 [110]	3.15 [80]	M30 x 430	12670 [56.36]	1.08 [27.4]
SK10382 VG	29621800	1.22 [31]	5.51 [140]	4.33 [110]	3.15 [80]	M30 x 430	12670 [56.36]	1.08 [27.4]
SK10382.1 VG	29621800	1.22 [31]	5.51 [140]	4.33 [110]	3.15 [80]	M30 x 430	12670 [56.36]	1.08 [27.4]
SK11282 VG	29621800	1.93 [49]	7.09 [180]	5.91 [150]	3.54 [90]	M48 x 550	18185 [80.89]	1.52 [38.5]
SK11382 VG	29621800	1.93 [49]	7.09 [180]	5.91 [150]	3.54 [90]	M48 x 550	18185 [80.89]	1.52 [38.5]
SK11382.1 VG	29621800	1.93 [49]	7.09 [180]	5.91 [150]	3.54 [90]	M48 x 550	18185 [80.89]	1.52 [38.5]
SK12382 VG	29621800	1.93 [49]	7.09 [180]	5.91 [150]	3.54 [90]	M48 x 550	23720 [105.51]	1.98 [50.2]

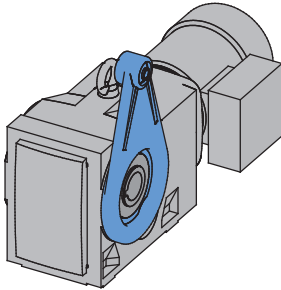
**NORD Gear Limited**  
Toll Free in Canada: 800.668.4378

**NORD Gear Corporation**  
Toll Free in the United States: 888.314.6673

## 1. Torque arm (D)

The preferred method of installing a shaft-mounted reducer is to support the weight of the gear unit or gearmotor assembly from the driven solid machine shaft. A torque arm is required in order to restrain the gearbox, react the load torque, and keep the gear unit from spinning around the shaft.

The Torque-Arm (D) bracket is mounted to either side of the right-angle gear unit using mounting screws that thread into the B14 flange-face of the reducer. The anchor hole of the torque-arm bracket is supplied with a resilient rubber bushing.



### IMPORTANT NOTE

The side of the reducer that the torque arm is mounted on, and the angular position can be specified at time of order. Consult the appropriate NORD catalog for specific Torque Arm (D) mounting options and ordering guidelines.

## 2. Purpose of the built-in resilient rubber bushing

The resilient rubber bushing installed into the anchor hole end of the torque-arm helps isolate and absorb all the load forces present in the system and increase the reducer's service life by reducing cumulative torsional shock loads.

- The primary load force acts in the direction of driven shaft rotation, reacts the load torque of the reducer, and prevents the gearbox from spinning on the shaft.
- Additional forces present themselves in the direction opposite of the shaft rotation, due to the typical slight out-of-round condition present in the machine shaft. This condition is the reason most shaft mounted-reducers have a slight shaft-wobble, which is normal.

### NOTICE

Always make sure that the Torque Arm (D) has the resilient rubber bushing installed into the anchor hole end of the torque arm. Failure to do so will not properly cushion the reducer and can result in excessive binding, bearing stress, and damage to the reducer.

## 3. Machine support

The user must supply a suitably strong and rigid mating machine support that provides load bearing capacity on both sides of the torque-arm bracket.



### WARNING

It is the responsibility of the machine builder to design a support bracket of adequate strength and rigidity, and supply an appropriate tightening bolt assembly. Failure to do so may result in injury caused from a damaged or broken torque-reaction assembly.

## 4. Installation of a right-angle reducer with torque arm

A. Make sure the Torque-Arm (D) is mounted in the correct position on the reducer. Assembled screw heads should always sit flush with the torque arm.

- To reposition the torque-arm, remove the mounting screws, relocate the torque-arm, and reassemble the mounting screws as noted above.
- If the torque-arm was shipped loose, position the torque-arm in the correct location on the gear unit, and secure the torque-arm as noted above.



### IMPORTANT NOTES

- Torque arm mounting screws should be secured with a thread locking product (ex. Loctite® 242 or Loxeal® 54-03) and tightened per the table on page 2.
- Assembled screw heads should always sit flush with the torque arm.
- The support bracket should provide support on both sides of the torque arm or be in the form of a U-shape.
- Do not force the torque-arm. The torque arm must remain at a right angle to the gear unit.
- If mounting holes do not align properly the machine support may need to be moved.

B. Install the right-angle hollow bore reducer onto the machine shaft. Then line up the hole in the reducer's torque-arm with the hole in the machine's support bracket, and temporarily hold the reducer in place.

C. Apply a thread locking compound such as Loctite® 242 or Loxeal® 54-03 to the end of the anchor bolt that is used to secure the torque arm in place.

D. Place the anchor bolt through the support bracket and the reducer torque-arm. Attach the mating nut to the bolt and tighten the assembly until snug. At least one bolt diameter should protrude from the nut after assembly.

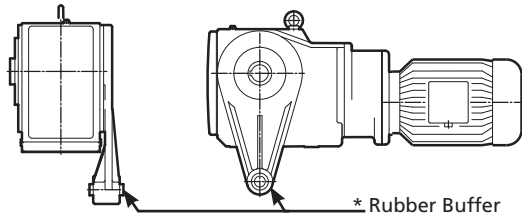
### NOTICE

Do not force misalignment of the torque-arm. The torque arm must remain at a right angle to the gear unit or excessive load may be placed on the reducer shaft and bearings.

E. Properly secure the gear unit assembly to the driven shaft in an axial direction.

# RIGHT-ANGLE SHAFT-MOUNT WITH TORQUE ARM (D)

Table 1 - Torque Arm (D) with rubber buffer



- For all 90.1 Series Helical-Bevel gear units, NORD also offers a bottom mount Torque Arm (K). See User Manual U10620.
- For the large 90.1 Series Helical-Bevel gear units sizes: SK9082.1, SK9086.1, SK9092.1, and SK9096.1, please use the Torque Arm (K).
- A metric fixing bolt is preferred for fastening the Torque-Arm(D) to the machine support bracket.

Gear Unit Series	Torque Arm				Torque Arm Mounting Screw					
	Type	Rubber Buffer P/N	Anchor Hole Size	Anchor Bolt Size	Qty	Size	Grade	Torque (Nm)	Torque (lb-ft)	Torque (lb-in)
92.1/93.1 Series Helical-Bevel	SK92072.1AD/SK93072.1AD	29602505	10.5 mm [0.41 in]	M10	4	M8 x 25	8.8	27	20	35
	SK92172.1AD/SK93172.1AD	29602505	10.5 mm [0.41 in]	M10	4	M8 x 25	8.8	27	20	35
	SK92372.1AD/SK93372.1AD	29602505	10.5 mm [0.41 in]	M10	4	M10 x 30	8.8	53	39	35
	SK92672.1AD/SK93672.1AD	29602505	10.5 mm [0.41 in]	M10	4	M10 x 30	8.8	53	39	35
	SK92772.1AD/SK93772.1AD	29603605	16.5 mm [0.65 in]	M16	4	M12 x 30	8.8	92	68	35
92 Series Helical-Bevel	SK92172AZD	29602505	10.5 mm [0.41 in]	M10	8	M6 x 16	8.8	11	8	71
	SK92372AZD	29602505	10.5 mm [0.41 in]	M10	8	M8 x 25	8.8	27	20	71
	SK92672AZD	29602505	10.5 mm [0.41 in]	M10	8	M8 x 25	8.8	27	20	71
	SK92772AZD	29603605	16.5 mm [0.65 in]	M16	8	M8 x 25	8.8	27	20	71
90.1 Series Helical-Bevel	SK9012.1AZD/SK9013.1AZD	29602505	10.5 mm [0.41 in]	M10	7	M8 x 20	8.8	27	20	62
	SK9016.1AZD/SK9017.1AZD	29602505	10.5 mm [0.41 in]	M10	7	M8 x 20	8.8	27	20	62
	SK9022.1AZD/SK9023.1AZD	29603605	16.5 mm [0.65 in]	M16	7	M8 x 25	8.8	27	20	62
	SK9032.1AZD/SK9033.1AZD	29603605	16.5 mm [0.65 in]	M16	7	M10 x 30	8.8	53	39	62
	SK9042.1AZD/SK9043.1AZD	29605205	25 mm [0.98 in]	M24	7	M12 x 35	8.8	92	68	62
	SK9052.1AZD/SK9053.1AZD	29605205	25 mm [0.98 in]	M24	7	M12 x 35	8.8	92	68	62
	SK9072.1AZD	29605205	25 mm [0.98 in]	M24	7	M16 x 45	8.8	230	170	62
Helical-Worm	SK02040AZD	29602505	10.5 mm [0.41 in]	M10	4	M6 x 20	8.8	11	8	35
	SK02050AZD/SK13050AZD	29602505	10.5 mm [0.41 in]	M10	4	M8 x 20	8.8	27	20	35
	SK12063AZD/SK13063AZD	29602505	10.5 mm [0.41 in]	M10	7	M8 x 22	8.8	27	20	62
	SK12080AZD/SK13080AZD	29602505	10.5 mm [0.41 in]	M10	7	M10 x 25	8.8	53	39	62
	SK32100AZD/SK33100AZD	29603605	16.5 mm [0.65 in]	M16	7	M12 x 30	8.8	92	68	62
	SK42125AZD/SK43125AZD	29603605	16.5 mm [0.65 in]	M16	7	M12 x 30	8.8	92	68	62
MINICASE® SMI Series Worm	SK1SMI31AZD	29602505	10.5 mm [0.41 in]	M10	4	M6 x 16	8.8	11	8	35
	SK1SMI40AZD/SK2SMI40AZD	29602505	10.5 mm [0.41 in]	M10	4	M8 x 22	8.8	27	20	35
	SK1SMI50AZD/SK2SMI50AZD	29602505	10.5 mm [0.41 in]	M10	4	M8 x 22	8.8	27	20	35
	SK1SMI50AZD/SK2SMI50AZD	29602505	10.5 mm [0.41 in]	M10	4	M8 x 22	8.8	27	20	35
	SK1SMI63AZD/SK2SMI63AZD	29602505	10.5 mm [0.41 in]	M10	4	M10 x 25	8.8	53	39	35
	SK1SMI75AZD	29602505	10.5 mm [0.41 in]	M10	4	M12 x 30	8.8	92	68	35
MINICASE® SM Series Worm	SK1SM31AZD	29602505	10.5 mm [0.41 in]	M10	4	M6 x 20	8.8	11	8	35
	SK1SM40AZD/SK2SM40AZD	29602505	10.5 mm [0.41 in]	M10	4	M8 x 20	8.8	27	20	35
	SK1SM50AZD/SK2SM50AZD	29602505	10.5 mm [0.41 in]	M10	4	M8 x 20	8.8	27	20	35
	SK1SM63AZD/SK2SM63AZD	29602505	10.5 mm [0.41 in]	M10	4	M8 x 20	8.8	27	20	35
"FLECBLOC™ SI Series Worm"	SK1SI31D	29602505	10.5 mm [0.41 in]	M10	4	M6 x 16	8.8	11	8	35
	SK1SI40D	29602505	10.5 mm [0.41 in]	M10	4	M8 x 22	8.8	27	20	35
	SK1SI50D	29602505	10.5 mm [0.41 in]	M10	4	M8 x 22	8.8	27	20	35
	SK1SI63D	29602505	10.5 mm [0.41 in]	M10	4	M10 x 25	8.8	53	39	35
	SK1SMI75D	29602505	10.5 mm [0.41 in]	M10	4	M12 x 30	8.8	92	68	35



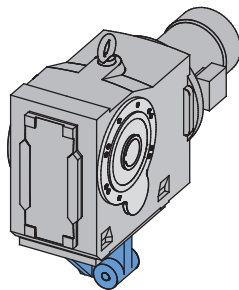
# 90.1 HELICAL-BEVEL SHAFT-MOUNT WITH BOTTOM MOUNT TORQUE ARM (K)



## 1. Torque arm (K)

The preferred method of installing a shaft-mounted reducer is to support the weight of the gear unit or gearmotor assembly from the driven solid machine shaft. A torque arm is required in order to restrain the gearbox, react to the load torque, and keep the gear unit from spinning around the shaft.

Table 1 (Page 2) provides a list of Torque-Arm (K) part numbers available for the 90.1 Series Helical-Bevel gear units. The Torque Arm (K) is secured to the base of the reducer. On most sizes there is an integral resilient rubber bushing located at the fastening hole-end of the torque arm. On the larger sizes, rubber buffers are used in conjunction with the torque arm and when properly used they are applied in tandem, on either side of the torque arm lug.



**i** **IMPORTANT NOTE**

When ordering the Torque Arm (K) one can specify which side of the reducer to mount the fastening hole that bolts to the machine support bracket. Consult the appropriate NORD catalog for specific Torque Arm (K) mounting options and ordering guidelines.

## 2. Purpose of the rubber bushing or rubber buffers

Regardless if the Torque Arm (K) is supplied with the integral rubber bushing or whether separate rubber buffers are required, the bushing/buffers help isolate and absorb all the load forces present in the system and increase the reducer's service life by reducing cumulative torsional shock loads.

- The primary load force acts in the direction of driven shaft rotation, reacts the load torque of the reducer, and prevents the gearbox from spinning on the shaft.
- Additional forces present themselves in the direction opposite of the shaft rotation, due to the typical slight out-of-round condition present in the machine shaft. This condition is the reason most shaft mounted-reducers have a slight shaft-wobble, which is normal.

**NOTICE**

Always make sure that the Torque Arm (K) is used in conjunction with the required rubber bushing/s. Failure to do so will not properly cushion the reducer and can result in excessive binding, bearing stress, and damage to the reducer.

## 3. Machine support

The user must supply a suitably strong and rigid mating machine support that provides load bearing capacity on both sides of the machine support bracket.

**! WARNING**

It is the responsibility of the machine builder to design a support bracket of adequate strength and rigidity, and supply an appropriate tightening bolt assembly. Failure to do so may result in injury caused from a damaged or broken torque-reaction assembly.

## 4. Installation of the right-angle reducer with torque arm (K)

- Make sure the Torque-Arm (K) is mounted so that the machine fastening hole is on the correct side of the reducer.
  - The torque-arm can be repositioned on the as-received unit by removing the fixing screws, re-position the torque-arm in the correct location, and re-securing the fixing screws to the proper tightening torque, as indicated in Table 2 (Page 2).
  - If the torque-arm was shipped loose, position the torque-arm in the correct location on the gear unit, and secure the torque-arm with the proper fixing screws & tightening torque, as indicated in Table 2 (Page 2).
- Install the right-angle hollow bore reducer onto the machine shaft. Line up the hole in the reducer's torque-arm with the hole in the machine's support bracket, and temporarily hold the reducer in place
- Properly secure the gear unit assembly to the driven shaft in an axial direction.
- Apply thread locking compound to the end of the fixing bolt, then place the fastening bolt through the rigid machine support bracket and reducer torque-arm and loosely secure the nut onto the end of the bolt.
- If the torque arm has an integral rubber bushing follow step F and skip steps G-H. If the torque arm uses rubber buffers skip forward to steps G-H.
- Tighten the fixing bolt to the proper tightening torque as indicated in Table 2 (Page 2).
- Install the rubber buffers on either side of the gear unit's torque-arm lug and place the fixing bolt through the rubber buffers and torque-arm lug and into the rigid machine support bracket.
- Tighten the fixing bolt and nut lightly snug, until all the free-play is eliminated from the rubber buffer assembly. Then snug the fixing bolt assembly by tightening an additional ¼ to ½ turn.

**NOTICE**

To prevent damage to the rubber buffers, avoid over-tightening.





# 90.1 HELICAL-BEVEL SHAFT-MOUNT WITH BOTTOM MOUNT TORQUE ARM (K)

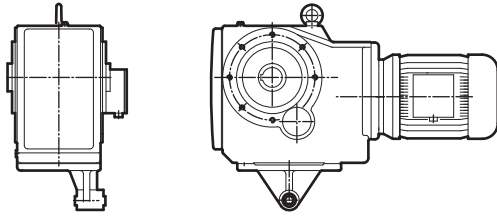


DRIVESYSTEMS

RETAIN FOR FUTURE USE

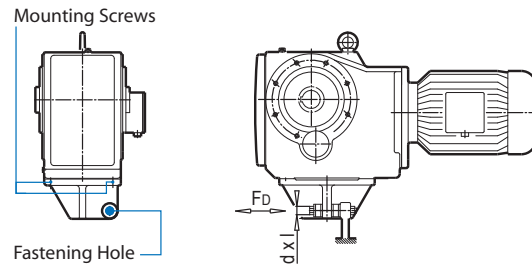
U10620 - 2 of 2

Torque Arm (K) with integrated bushing



Available for Sizes SK9012.1 - SK9072.1

Torque Arm (K) with rubber buffer



Available for Sizes SK9082.1 - SK90906.1

- For most all 90.1 series Helical-Bevel gear units, an optional tear-drop shaped side-mounted torque arm (D) is available. See user manual U10600.

- A metric fixing bolt is preferred for fastening the torque arm (K) to the machine support bracket.

Type	Torque Arm P/N	Reducer Hardware Hex Head Cap Screws + Lock Washer	Mounting Screw P/N	Lock Washer P/N	Rubber Buffer P/N	Fastening Hole In [mm]	Fastening Bolt Size	Bolt d x l [metric]	FD lb [N]	SFD inch [mm]
SK9012.1...K SK9013.1...K	68190600	M10 X 30 + A10 (Qty 3 Ea.)	22010300	28560106	N/A	0.41 [10.5]	M10	N/A	N/A	N/A
SK9016.1...K SK9017.1...K	68190600	M10 X 30 + A10 (Qty 3 Ea.)	22010300	28560106	N/A	0.41 [10.5]	M10	N/A	N/A	N/A
SK9022.1...K SK9023.1...K	68290610	M12 X 35 + A12 (Qty 3 Ea.)	22012350	28560126	N/A	0.65 [16.5]	M16	N/A	N/A	N/A
SK9032.1...K SK9033.1...K	68390610	M12 X 35 + A12 (Qty 3 Ea.)	22012350	28560126	N/A	0.65 [16.5]	M16	N/A	N/A	N/A
SK9042.1...K SK9043.1...K	68490610	M16 X 40 + A16 (Qty 3 Ea.)	22016400	28560166	N/A	0.98 [25]	M24	N/A	N/A	N/A
SK9052.1...K SK9053.1...K	68590620	M16 X 40 + A16 (Qty 3 Ea.)	22016450	28560166	N/A	0.98 [25]	M24	N/A	N/A	N/A
SK9072.1...K	68690620	M24 X 60 + A24 (Qty 4 Ea.)	22024060	28560246	N/A	0.98 [25]	M24	N/A	N/A	N/A
SK9082.1...K SK9082.1...SHK	68819010	M24 x 65 + A24 (Qty 4 Ea.)	22024650	22024650	29610000	1.22 [31]	M30	M30 x 260	5300 [23.64]	0.53 [13.5]
SK9086.1...K SK9086.1...SHK	68819010	M24 x 65 + A24 (Qty 4 Ea.)	22024650	22024650	29610000	1.22 [31]	M30	M30 x 260	6900 [30.77]	0.69 [17.6]
SK9092.1...SHK	68919010	M36 x 90 + A36 (Qty 4 Ea.)	22036900	28560366	29610000	1.22 [31]	M30	M30 x 260	10300 [45.71]	1.03 [26.2]
SK9096.1...SHK	69019000	M42 x 120 + A42 (Qty 4 Ea.)	22042120	28560426	29621800	1.93 [49]	M48	M48 x 550	12,500 [55.56]	1.06 [27.0]



# HELICAL & BEVEL REDUCER LUBRICATION



## 1. Importance of proper lubrication

Proper gearbox lubrication is essential in order to reduce friction, heat, and component wear. Lubricants reduce heat and wear by inserting a protective "fluid boundary" between mating parts and preventing direct metal to metal contact. Lubricants also help prevent corrosion and oxidation, minimize foam, improve heat transfer, optimize reducer efficiency, absorb shock loads and reduce noise.

Most NORD reducers are shipped from the factory with a pre-determined oil fill level in accordance to the specified reducer size and mounting position.

## 2. Standard oil type

The following tables indicate the standard oil fill type used. Please see user manual U11000 for more specific information and for optional helical and bevel gear lubricants:

Serviceable Gear Units	
Helical In-line	Standard Oil Fill: ISO VG 220, Mineral Oil
Clincher Parallel-Shaft	
Right-Angle Bevel	
NORDBLOC® Series In-line	
NORDBLOC®.1 Series In-line	
Standard Series In-line	

**IMPORTANT NOTE**

For shipping purposes, the following large Clincher™ gear units are supplied without oil:

- Clincher™ Sizes SK11282, SK11382, SK11382.1 and SK12382

Maintenance-free / Lubricated For Life Gear Units	
Clincher™ sizes SK0182NB, SK0282NB & SK1382NB	Standard Oil Fill: ISO VG220 SHC/PAO Synthetic Oil
NORDBLOC® Sizes SK172, SK272, SK371F, SK372, SK373, SK320	

**IMPORTANT NOTE**

Maintenance-free units are supplied as sealed units with no vent-plug. Consult NORD prior to ordering if interested in ordering any of the above sizes as serviceable gear units.

**IMPORTANT NOTE**

Consult the sticker adjacent to the fill plug to determine the type of lubricant installed at the factory. Some units have special lubricants designed to operate in certain environments or intended to extend the service life or service temperature range of the lubricant. If in doubt about which lubricant is needed for a certain application, please contact NORD Gear.

## 3. Lubrication replacement

If the gear unit is filled with mineral oil, the lubricant should be replaced at least after every 10,000 operating hours or after every two years. If the gear unit is filled with synthetic oil, the lubricant should be replaced at least after every 20,000 operating hours or after every four years. Often gear reducers are exposed to extreme ambient conditions, hostile environments, wet conditions, or dirty and dusty operating areas. Especially in these situations, it is important to establish a condition-based oil service interval.

## 4. Oil viscosity

Viscosity, or the oil's resistance to shear under load, is often considered the single most important property of any gear oil.

- Often one will consider making a viscosity correction to the oil to improve the performance when operating the gear unit at low temperature or high temperature.
- In cases of extreme load conditions, gear pairs and antifriction bearings may be more susceptible to sliding or scuffing wear. In these operating conditions, it may also be beneficial to consider an increased lubrication viscosity and/or a lubrication with improved antiwear additive packages.

**IMPORTANT NOTE**

The user should consult with their primary lubrication supplier before considering changes in oil type or viscosity.

## 5. Maximum oil sump temperature limit

To prevent reducer overheating, the reducer's maximum oil sump temperature limit must not be exceeded for prolonged periods of operation (up to 3 hours continuous operation depending upon reducer size).

Oil Type	Maximum Oil Temperature Limit	
	NORD	AGMA 9005-D94
Mineral	80-85°C (176-185°F)	95°C (203°F)
Synthetic	105°C (220°F)	107°C (225°F)

**IMPORTANT NOTE**

Use caution when specifying gear reducers for high temperature service. If there is concern about exceeding the allowable safe operating temperatures, please consult NORD to discuss alternatives.

## 6. The importance of routine oil analysis

Routine oil analysis, sound lubrication practices, and good tracking of oil performance trends will help establish proper lubrication maintenance and change-out intervals. To maximize equipment reliability, NORD Gear generally recommends a condition-based lubrication maintenance program. One may take exceptions to this general recommendation on sealed-for-life or maintenance-free gear units or smaller and less costly gear units. In these instances, the replacement cost of the gear unit is often small compared to the costs associated with this type of oil analysis program.

### NOTICE

NORD suggests replacing the gear oil if oil analysis indicates any of the following. Failure to replace the oil may cause internal damage to gearbox and diminished performance:

- Viscosity has changed by approximately 10% or more.
- Debris particles (silicon, dust, dirt or sand) exceed 25 ppm.
- Iron content exceeds 150-200 ppm.
- Water content is greater than 0.05% (500 ppm).
- The total acid number (TAN) tests indicate a significant level of oxidative break-down of the oil, and a critical reduction in performance; If the TAN number measured changes by more than 5% over the new oil, then an oil change would be recommended.

## 7. Mounting position and oil fill quantity

All NORD Gear reducers are shipped from the factory with a pre-determined oil fill level in accordance to the specified reducer size and mounting position. **For additional information, please see the separate mounting position diagrams and the corresponding oil fill quantity tables for the specified gear unit.**

The gearbox nametag will indicate the mounting position that was provided. **For mounting orientations other than shown in the mounting position charts, please consult NORD Gear.**



### IMPORTANT NOTE

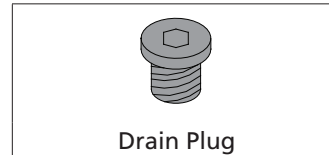
Actual oil volume can vary slightly depending upon the gear case size, mounting and ratio. Prior to commissioning the reducer, check the oil-fill level using the reducer's oil-level plug and drain or add additional oil as needed. The minimum acceptable oil level is 0.15 in (4mm) below the oil level hole.

## 8. Oil plug locations

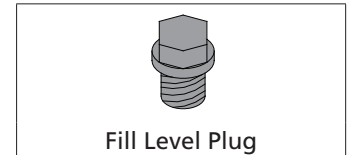
All gear units are assembled with the oil fill-level, oil-drain and vent plugs installed in their proper locations, according to the specified mounting position. All standard plugs are metric and utilize sealing gaskets between the head of the plug and the reducer housing.

## 9. Drain and fill-level plugs

All reducer drain plugs are metric socket head cap screws. For easier identification, it is NORD's standard practice to provide a hex-head screw for the fill-level plug. For ease of draining the used oil from the gear reducer, use the socket head screw located at the lowest part of the gearbox.



Drain Plug



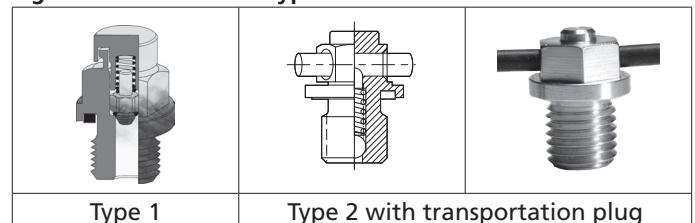
Fill Level Plug

## 10. Vent plug locations

Reducer venting allows for air pressure differences that occur during operation, between the inner space of the reducer and the atmosphere, while ensuring leak-free operation. The AUTOVENT™ is standard for all vented gear units, unless otherwise noted.

**AUTOVENT™** - The AUTOVENT™ helps prevent bearing and gear damage by behaving like a check valve to block the entry of foreign material and prevent lubrication contamination from dust particles, moisture and air-borne process chemicals. The breather opens at approximately 0.3-0.9 psi during operation and closes tightly as the gearbox cools. This option is perfect for humid conditions and wash-down environments, helping to maintain proper oil cleanliness, while reducing foaming and oxidation.

Figure 1 AUTOVENT™ Types



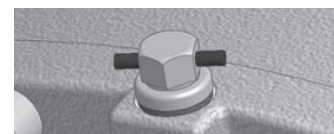
Type 1

Type 2 with transportation plug

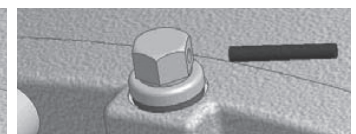
**Open Vent** - An optional open vent can be supplied by NORD. The open vent comes closed upon delivery with a transportation sealing plug (see Warning).

### NOTICE

To prevent build-up of excessive pressure, sealed vents must be activated as shown prior to gear unit start up. Excessive pressure may cause damage to internal components and cause leakage.



Sealed vent



Activated vent

**Filtered Vent** - NORD may offer an optional filtered vent, which allows gases to permeate, but does not allow dust and debris to pass through the vent.



# VL2 & VL3 EXTENDED BEARING LUBRICATION



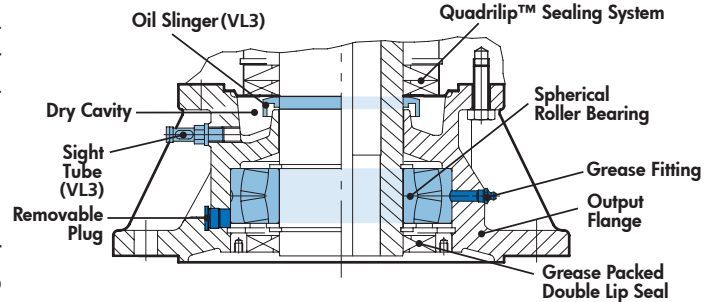
DRIVESYSTEMS

RETAIN FOR FUTURE USE

U10760 - 1 of 1

## 1. VL2 – Spread Bearing Design

NORD offers reinforced output shaft bearings with increased bearing distance. The lower bearing is a oversized, double row spherical bearing, which absorbs high overhung and thrust loads while providing a longer bearing service life. The spherical roller bearing is especially useful in compensating for alignment errors in long agitator shafts. The VL2 spread bearing design is commonly used for shredders, mixers, overhead conveyors or applications requiring increased bearing load carrying capacities. Included with the VL2 design is a grease fitting for the lower bearing and a removable plug to allow excess grease to purge from the bearing cavity.



## 2. VL3 – Spread Bearing Design with Oil Safe Dry Cavity

The VL3 dry cavity design adds additional oil leak protective measures to the VL2 spread bearing design. NORD’s Quadralip™ sealing system prevents oil from leaking from the gearbox into the VL2 flange. If in any case oil does leak past the Quadralip™ seals, it would flow down to the oil slinger mounted onto the shaft. As the shaft rotates, the oil will sling off into the dry cavity. A sight tube is provided for dry cavity inspection. At the bottom of the spread bearing flange is greased packed, double lip seal.

## 3. Service Guidelines for the Extended Bearing Flange

The spherical roller bearing on the extended bearing housing should be re-greased with 0.75 to 1.0 ounces (20-25 grams) of grease after every 2,500 hours of service or at least every 6 months. Prior to re-greasing the screw plug located opposite to the grease nipple should be unscrewed. After re-greasing the screw plug must be reinstalled and tightened. The extended bearing is factory assembled with the proper amount and type of grease. The type of grease supplied depends upon the type of oil specified at time of order.

### Bearing Grease Options

Reducer Oil Type	NLGI Grade	Grease Thickener	Grease Base Oil	Ambient Temperature Range	Manufacturer Brand/Type
MIN-EP	NLGI 2	Li-Complex	MIN	-30 to 60°C (-22 to 140°F)	Mobil Grease XHP222
PAO	NLGI 2	Li-Complex	PAO	-40 to 80°C (-40 to 176°F)	Mobil / Mobilith SHC 220
FG or FG-PAO	NLGI 2	Polyurea	FG-PAO	-30 to 80°C (-22 to 176°F)	Mobil SHC Polyrex 222

### NOTICE

Grease compatibility depends upon the type of thickener or soap complex used, the base oil type suspended within the thickener, and the type of additives used. The user should check with the lubrication supplier before making substitutions in brand and type in order to assure compatibility and to avoid causing possible damage to the extended bearing.



# HELICAL-WORM REDUCER LUBRICATION



## 1. Importance of proper lubrication

Proper gearbox lubrication is essential in order to reduce friction, heat, and component wear. Lubricants reduce heat and wear by inserting a protective "fluid boundary" between mating parts and preventing direct metal to metal contact. Lubricants also help prevent corrosion and oxidation, minimize foam, improve heat transfer, optimize reducer efficiency, absorb shock loads and reduce noise.

NORD helical-worm reducers are shipped from the factory with a pre-determined oil fill level in accordance to the specified reducer size and mounting position.

## 2. Standard oil type

NORD helical worm gear reducers are filled with ISO VG 680 synthetic-hydrocarbon/polyalphaolefin (SHC/PAO) worm gear oil.

- SHC/PAO worm gear oils have good high and low temperature stability, are compatible with most paint and seal types, and are miscible with mineral oils.
- SHC/PAO worm gear oils also contain a small amount of organic ester and other antiwear (AW) packages to offer improved lubrication conditions, especially in the worm mesh, where a sideways sliding motion prevails.

Please see user manual U11020 for more specific information and for optional helical worm lubricants.

**NOTICE**

In worm gears avoid using extreme pressure (EP) gear oils containing sulfur-phosphorous chemistries; these additives can react adversely with bronze worm gears, and accelerate wear.

**i** **IMPORTANT NOTE**

Consult the sticker adjacent to the fill plug to determine the type of lubricant installed at the factory. Some units have special lubricants designed to operate in certain environments or intended to extend the service life or service temperature range of the lubricant. If in doubt about which lubricant is needed for a certain application, please contact NORD Gear.

## 3. Lubrication replacement

The helical-worm gear oil should be replaced at least after every 20,000 operating hours or after every four years. Often gear reducers are exposed to extreme ambient conditions, hostile environments, wet conditions, or dirty and dusty operating areas. Especially in these situations, it is important to establish a condition-based oil service interval.

## 4. Efficiency

Helical worm gears reach efficiencies up to 92% and are generally much more efficient than worm-only gear units. However, it is important to consider the following, when using worm gears.

- Worm gears reach their peak rated efficiency, after they undergo a natural run-in process (up to 25 hours operating time at maximum rated load). Catalog published power and torque figures are based upon the rated efficiency after the run-in is complete.
- Worm gears have naturally lower startup efficiencies compared to operating efficiencies. As input speed increases the enhanced hydrodynamic effects of the oil result in less tooth friction and increased worm gear efficiency.

**i** **IMPORTANT NOTE**

*Worm gear reducers applied in cold temperature service, may require increased motor power for the following reasons:*

- Lower operating temperatures, cause lubrication viscosity to increase in both the gearbox and in the moving areas of the driven machine.
- Worm-gears have naturally lower start-up efficiencies compared to operating efficiencies.
- In extreme cases, one might need to consider increasing the motor power and lowering the oil viscosity

## 5. Oil Viscosity

Viscosity, or the oil's resistance to shear under load, is often considered the single most important property of any gear oil.

- Often one will consider making a viscosity correction to the oil to improve the performance when operating the gear unit at low temperature or high temperature.
- In cases of extreme load conditions, gear pairs and antifriction bearings may be more susceptible to sliding or scuffing wear. In these operating conditions, it may also be beneficial to consider an increased lubrication viscosity and/or a lubrication with improved antiwear additive packages.

**i** **IMPORTANT NOTE**

The user should consult with their primary lubrication supplier before considering changes in oil type or viscosity.

## 6. Maximum oil sump temperature limit

To prevent reducer overheating, the reducer's maximum oil sump temperature limit must not be exceeded for prolonged periods of operation (up to 3 hours continuous operation depending upon reducer size).

Oil Type	Maximum Oil Temperature Limit	
	NORD	AGMA 9005-D94
Synthetic	105°C (220°F)	107°C (225°F)

**i** **IMPORTANT NOTE**

*Use caution when specifying gear reducers for high temperature service.* If there is concern about exceeding the allowable safe operating temperatures, please consult NORD to discuss alternatives.



## 7. The importance of routine oil analysis

Routine oil analysis, sound lubrication practices, and good tracking of oil performance trends will help establish proper lubrication maintenance and change-out intervals. To maximize equipment reliability, NORD Gear generally recommends a condition-based lubrication maintenance program. One may take exceptions to this general recommendation on sealed-for-life or maintenance-free gear units or smaller and less costly gear units. In these instances, the replacement cost of the gear unit is often small compared to the costs associated with this type of oil analysis program.

### NOTICE

NORD suggests replacing the gear oil if oil analysis indicates any of the following. Failure to replace the oil may cause internal damage to gearbox and diminished performance:

- Viscosity has changed by approximately 10% or more.
- Debris particles (silicon, dust, dirt or sand) exceed 25 ppm.
- Iron content exceeds 150-200 ppm.
- Water content is greater than 0.05% (500 ppm).
- The total acid number (TAN) tests indicate a significant level of oxidative break-down of the oil, and a critical reduction in performance; If the TAN number measured changes by more than 5% over the new oil, then an oil change would be recommended.

## 8. Mounting position and oil fill quantity

All NORD Gear reducers are shipped from the factory with a pre-determined oil fill level in accordance to the specified reducer size and mounting position. *For additional information, please see the separate mounting position diagrams and the corresponding oil fill quantity tables for the specified gear unit.*

The gearbox nametag will indicate the mounting position that was provided. *For mounting orientations other than shown in the mounting position charts, please consult NORD Gear.*



### IMPORTANT NOTE

Actual oil volume can vary slightly depending upon the gear case size, mounting and ratio. Prior to commissioning the reducer, check the oil-fill level using the reducer's oil-level plug and drain or add additional oil as needed. The minimum acceptable oil level is 0.15 in (4mm) below the oil level hole.

## 9. Oil plug locations

All gear units are assembled with the oil fill-level, oil-drain and vent plugs installed in their proper locations, according to the specified mounting position. All standard plugs are metric and utilize sealing gaskets between the head of the plug and the reducer housing.

## 10. Drain and fill-level plugs

All reducer drain plugs are metric socket head cap screws. For easier identification, it is NORD's standard practice to provide a hex-head screw for the fill-level plug. For ease of draining the used oil from the gear reducer, use the socket head screw located at the lowest part of the gearbox.

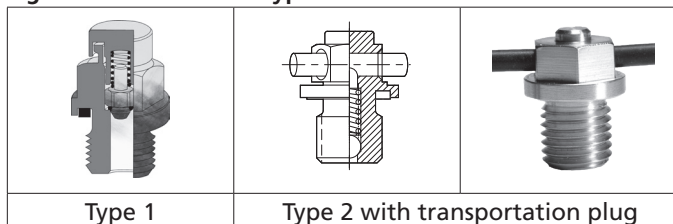


## 11. Vent plug locations

Reducer venting allows for air pressure differences that occur during operation, between the inner space of the reducer and the atmosphere, while ensuring leak-free operation. The AUTOVENT™ is standard for all vented gear units, unless otherwise noted.

**AUTOVENT™** - The AUTOVENT™ helps prevent bearing and gear damage by behaving like a check valve to block the entry of foreign material and prevent lubrication contamination from dust particles, moisture and air-borne process chemicals. The breather opens at approximately 0.3-0.9 psi during operation and closes tightly as the gearbox cools. This option is perfect for humid conditions and wash-down environments, helping to maintain proper oil cleanliness, while reducing foaming and oxidation.

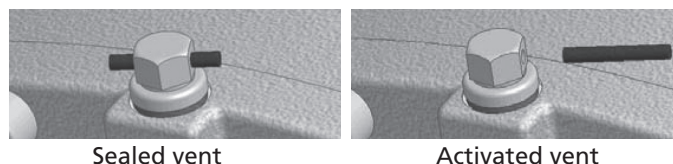
Figure 1 AUTOVENT™ Types



**Open Vent** - An optional open vent can be supplied by NORD. The open vent comes closed upon delivery with a transportation sealing plug (see Warning).

### NOTICE

To prevent build-up of excessive pressure, sealed vents must be activated as shown prior to gear unit start up. Excessive pressure may cause damage to internal components and cause leakage.



**Filtered Vent** - NORD may offer an optional filtered vent, which allows gases to permeate, but does not allow dust and debris to pass through the vent.



# MINICASE® (SM SERIES) WORM GEAR LUBRICATION GUIDELINES



## 1. Importance of proper gearbox lubrication

Proper gearbox lubrication is essential in order to reduce friction, heat, and component wear. Lubricants reduce heat and wear by inserting a protective "fluid boundary" between mating parts and preventing direct metal to metal contact. Lubricants also help prevent corrosion and oxidation, minimize foam, improve heat transfer, optimize reducer efficiency, absorb shock loads and reduce noise.

## 2. Maintenance free design

MINICASE® (SM series) worm gear reducers are designed to be maintenance-free and are supplied completely sealed. They are factory oil-filled with a pre-determined oil fill amount in accordance to the specified reducer size and mounting position. The synthetic lubrication used is suitable for the life of the product so the MINICASE™ is inherently maintenance free.

## 3. Standard oil type

The standard factory oil fill for MINICASE® (SM) worm gear reducers is ISO viscosity VG synthetic hydrocarbon/polyalphaolefin (SHC/PAO oil) food grade oil suitable for NSF-H1 incidental contact and is a factory stocked lubricant. Food grade oil suitable for NSF-H1 incidental contact is a factory stocked option.

See user manual U11040 for specific information and for optional MINICASE® (SM) worm lubrication types and options.

### NOTICE

In worm gears avoid using extreme pressure (EP) gear oils containing sulfur-phosphorous chemistries; these additives can react adversely with bronze worm gears, and accelerate wear.

## 4. Efficiency

It is important to consider the following, when using worm gears.

- Worm gears reach their peak rated efficiency, after they undergo a natural run-in process (up to 25 hours operating time at maximum rated load). Catalog published power and torque figures are based upon the rated efficiency after the run-in is complete.
- Worm gears have naturally lower startup efficiencies compared to operating efficiencies. As input speed increases the enhanced hydrodynamic effects of the oil result in less tooth friction and increased worm gear efficiency.



### IMPORTANT NOTE

**Worm gear reducers applied in cold temperature service**, may require increased motor power for the following reasons:

- Lower operating temperatures, cause lubrication viscosity to increase in both the gearbox and in the moving areas of the driven machine.
- Worm-gears have naturally lower start-up efficiencies compared to operating efficiencies.
- In extreme cases, one might need to consider increasing the motor power and/or lowering the oil viscosity.

## 5. Maximum oil sump temperature limit

To prevent reducer overheating, the reducer's maximum oil sump temperature limit must not be exceeded for prolonged periods of operation (up to 3 hours continuous operation depending upon reducer size).

Oil Type	Maximum Oil Temperature Limit	
	NORD	AGMA 9005-D94
Synthetic	105°C (220°F)	107°C (225°F)



### IMPORTANT NOTE

**Use caution when specifying gear reducers for high temperature service.** If there is concern about exceeding the allowable safe operating temperatures, please consult NORD to discuss alternatives.



# MINICASE® (SM SERIES) WORM GEAR LUBRICATION GUIDELINES



## 6. Oil Viscosity

The viscosity rating determines the operating oil's resistance to shear under load conditions. Some important viscosity considerations include the following:

- Lightly loaded gears require lower viscosity oils than highly loaded gears.
- Lower viscosity will provide thin oil film, lower friction, higher mechanical efficiency, and better heat removal conditions.
- Higher viscosity will provide thicker oil film, and better resistance to sliding wear, scuffing wear, and galling at high pressure.
- Higher operating temperatures will cause a reduction in viscosity and lower operating temperatures, cause an increase in viscosity or a thickening of the oil.

The standard oil-fill is considered acceptable for most applications. In certain situations an oil viscosity change may be beneficial.

- If the gear unit is exposed to frequent high load conditions. A higher viscosity oil will have a higher film thickness offering better overall resistance to oil shear, sliding wear and scuffing wear in gears and roller element bearings.
- An oil viscosity correction or lubrication change may improve the overall performance when operating the gear unit at very low or high ambient temperature conditions.



### **IMPORTANT NOTE**

The user should consult with their primary lubrication supplier before considering changes in oil type or viscosity.

## 7. Viscosity Index

Viscosity index helps quantify the rate of oil viscosity change with respect to temperature changes. Oils with a reasonably high viscosity index tend to be more stable in a changing temperature environment. The ability of an oil to maintain a small viscosity differential over the operating range of the gearbox provides a more consistent lubricating film and better wear performance.

Synthetic oils typically have a higher viscosity index than mineral oils and polyglycol oils tend to have an exceptionally high viscosity index compared to other synthetic oils like polyalphaolefin or ester based products.



# MINICASE® (SMI/SMID) WORM GEAR LUBRICATION GUIDELINES



## 1. Importance of proper gearbox lubrication

Proper gearbox lubrication is essential in order to reduce friction, heat, and component wear. Lubricants reduce heat and wear by inserting a protective "fluid boundary" between mating parts and preventing direct metal to metal contact. Lubricants also help prevent corrosion and oxidation, minimize foam, improve heat transfer, optimize reducer efficiency, absorb shock loads and reduce noise.

## 2. Factory Oil-Filled / Maintenance-Free

NORD modular worm gear units are inherently maintenance-free, factory oil filled, and supplied with a high-quality, long-life, synthetic oil which is intended to be suitable for the life of the gear unit.

MINICASE® (SMI/SMID) worm gear units are assembled at the factory from stocked component parts. They are filled at time of assembly in accordance to the specified reducer mounting position. See user manuals U13150 and U13250 for more info.

## 3. Standard Oil Types

MINICASE® (SMI/SMID) worm gear units are factory filled with synthetic poly glycol oil. Food-grade polyglycol oil is optional. The specific oil type and viscosity grade are displayed on the reducer nameplate. See user manual 11050 for specific MINICASE® (SMI/SMID) worm lubrication types and options.

<b>NOTICE</b>
In worm gears avoid using extreme pressure (EP) gear oils containing sulfur-phosphorous chemistries; these additives can react adversely with bronze worm gears, and accelerate wear.

## 4. Efficiency

It is important to consider the following, when ordering worm gears.

- Worm gears reach their peak rated efficiency, after they undergo a natural run-in process (up to 25 hours operating time at maximum rated load). Catalog published power and torque figures are based upon the rated efficiency after the run-in is complete.
- Worm gears have naturally lower startup efficiencies compared to operating efficiencies. As input speed increases the enhanced hydrodynamic effects of the oil result in less tooth friction and increased worm gear efficiency.

<b>IMPORTANT NOTE</b>
<b>Worm gear reducers applied in cold temperature service</b> , may require increased motor power for the following reasons: <ul style="list-style-type: none"> <li>• Lower operating temperatures, cause lubrication viscosity to increase in both the gearbox and in the moving areas of the driven machine.</li> <li>• Worm-gears have naturally lower start-up efficiencies compared to operating efficiencies.</li> <li>• In extreme cases, one might need to consider increasing the motor power and lowering the oil viscosity</li> </ul>

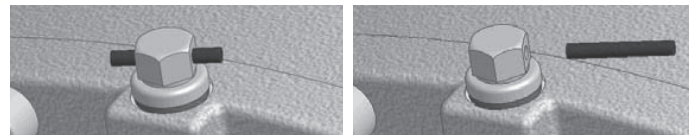
## 5. Optional Vent Kits

MINICASE® (SMI/SMID) worm gear units are designed to operate sealed or vented. As a standard the modular worm gear units are factory oil filled and supplied with oil plugs in the housing, making vent plugs optional. See user manual U14750.

NORD can supply an AUTOVENT™ or an open vent with each gear unit size. If a vent is desired the type must be specified at the time of order. Reducer vents are sealed with a transportation plug that must be removed prior to gear unit start-up.

Type	Transportation Seal	Installation	Part Number
AUTOVENT™	Included	Factory or Field site	66093510
Open Vent	None	Field Only	60693500
Open Vent	Included	Factory or Field site	22008004 (vent) 25308120 (gasket)

Unless noted by a separate part number, vent kits include the housing gasket



<b>NOTICE</b>
To prevent build-up of excessive pressure, sealed vents must be activated as shown prior to gear unit start-up. Excessive pressure may cause damage to internal components and cause leakage.

## 6. AUTOVENT™

The AUTOVENT™ helps prevent bearing and gear damage by behaving like a check valve to block the entry of foreign material and prevent lubrication contamination from dust particles, moisture and air-borne process chemicals. The breather opens at approximately 0.3-0.9 psi during operation and closes tightly as the gearbox cools. This option is perfect for humid conditions and wash-down environments, helping to maintain proper oil cleanliness, while reducing foaming and oxidation.

## 7. Open Vent

A typical gearbox industry open vent option can also be supplied by NORD. This option allows free exchange of air and does not build-up any back pressure inside the gear unit. This option is ideal for many operating conditions where the geared product is used in relatively clean and moisture-free environment.



# MINICASE® (SMI/SMID) WORM GEAR LUBRICATION GUIDELINES



## 8. When to Use a Sealed or a Vented Unit

There are many conditions that should be considered when deciding whether to use a sealed or vented unit.

1. If the duty cycle is intermittent, the run times are short, and any build-up of internal pressure or temperature is relatively low, the sealed unit option may be used.
2. If running continuous and under moderate to high load conditions, worm gears can generate higher operating temperatures and a build-up of internal pressure. In these instances a vent is strongly recommended. Consult NORD if operation at high load conditions is required.
3. If running continuous at 4-pole electric motor speeds (1800 rpm at 60 Hz) or higher, then a vent option is usually recommended. Consult NORD if operation at higher speeds is required.
4. Radial shaft seals produce a hydrodynamic pumping action to help push lubricant back into the gear unit, causing a small amount of ingested air and a small pressure increase (1-2 psi) that does not normally require a reducer vent; however when combined with continuous operation under high load (Condition 2), additional operating pressures will result and a vent should be used.
5. When the environment is contaminated with water, dirt, or other objects that may be ingested into the breather, increased wear of bearings, gearing, and lubrication breakdown can result. In these instances the sealed option or an AUTOVENT™ should be considered.

## 9. Maximum Oil Sump Temperature Limit

To prevent reducer overheating, the reducer's maximum oil- sump temperature limit must not be exceeded for prolonged periods of operation.

Oil Type	Maximum Oil Temperature Limit	
	NORD	AGMA 9005-D94
Synthetic	105°C (220°F)	107°C (225°F)



### IMPORTANT NOTE

Use caution when specifying gear reducers for high temperature service. If there is concern about exceeding the safe operating temperature limit, please consult NORD to discuss alternatives.

## 10. Oil Viscosity

The viscosity rating determines the operating oil's resistance to shear under load conditions. Some important viscosity considerations include the following:

- Lightly loaded gears require lower viscosity oils than highly loaded gears.
- Lower viscosity will provide thin oil film, lower friction, higher mechanical efficiency, and better heat removal conditions.
- Higher viscosity will provide thicker oil film, and a better resistance to sliding wear, scuffing wear, and galling at high pressure.
- Higher operating temperatures will cause a reduction in viscosity and lower operating temperatures, cause an increase in viscosity or a thickening of the oil.

The standard oil-fill is considered acceptable for most applications. In certain situations an oil viscosity change may be beneficial.

- If the gear unit is exposed to frequent high load conditions. A higher viscosity oil will have a higher film thickness offering better overall resistance to oil shear, sliding wear and scuffing wear in gears and roller element bearings.
- An oil viscosity correction or lubrication change may improve the overall performance when operating the gear unit at very low or high ambient temperature conditions.



### IMPORTANT NOTE

The user should consult with their primary lubrication supplier before considering changes in oil type or viscosity.

## 11. Viscosity Index

Viscosity index helps quantify the rate of oil viscosity change with respect to temperature changes. Oils with a reasonably high viscosity index tend to be more stable in a changing temperature environment. The ability of an oil to maintain a small viscosity differential over the operating range of the gearbox provides a more consistent lubricating film and better wear performance.

Synthetic oils typically have a higher viscosity index than mineral oils and polyglycol oils tend to have an exceptionally high viscosity index compared to other synthetic oils like polyalphaolefin or ester based products.





# FLEXBLOC™ (SI/SID SERIES) WORM GEAR LUBRICATION GUIDELINES



DRIVESYSTEMS

RETAIN FOR FUTURE USE

U10810 - 1 of 2

## 1. Importance of Proper Lubrication

Proper gearbox lubrication is essential in order to reduce friction, heat, and component wear. Lubricants reduce heat and wear by inserting a protective "fluid boundary" between mating parts and preventing direct metal to metal contact. Lubricants also help prevent corrosion and oxidation, minimize foam, improve heat transfer, optimize reducer efficiency, absorb shock loads and reduce noise.

## 2. Factory Oil-Filled / Maintenance-Free

NORD modular worm gear units are inherently maintenance-free, factory oil filled, and supplied with a high-quality, long-life, synthetic oil which is intended to be suitable for the life of the gear unit.

FLEXBLOC™ SI worm gear units are filled at time of assembly to a universal oil fill, allowing for many mounting position possibilities. See user manual U13300.

## 3. Standard oil type

FLEXBLOC™ (SI/SID) worm gear units are factory filled with synthetic poly glycol oil. Food-grade polyglycol oil is optional. The specific oil type and viscosity grade are displayed on the reducer nameplate. See user manual 11060 for specific FLEXBLOC™ (SI/SID) worm lubrication types and options.

### NOTICE

In worm gears avoid using extreme pressure (EP) gear oils containing sulfur-phosphorous chemistries; these additives can react adversely with bronze worm gears, and accelerate wear.

## 4. Efficiency

It is important to consider the following, when ordering worm gears.

- Worm gears reach their peak rated efficiency, after they undergo a natural run-in process (up to 25 hours operating time at maximum rated load). Catalog published power and torque figures are based upon the rated efficiency after the run-in is complete.
- Worm gears have naturally lower startup efficiencies compared to operating efficiencies. As input speed increases the enhanced hydrodynamic effects of the oil result in less tooth friction and increased worm gear efficiency.



### IMPORTANT NOTE

*Worm gear reducers applied in cold temperature service*, may require increased motor power for the following reasons:

- Lower operating temperatures, cause lubrication viscosity to increase in both the gearbox and in the moving areas of the driven machine.
- Worm-gears have naturally lower start-up efficiencies compared to operating efficiencies.
- In extreme cases, one might need to consider increasing the motor power and lowering the oil viscosity

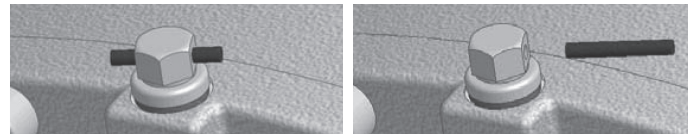
## 5. Optional Vent Kits

FLEXBLOC™ (SI) worm gear units are designed to operate sealed or vented. As a standard the modular worm gear units are factory oil filled and supplied with oil plugs in the housing, making vent plugs optional. See user manual U14800 for vent locations.

NORD can supply an AUTOVENT™ or an open vent with each gear unit size. If a vent is desired the type must be specified at the time of order. Reducer vents are sealed with a transportation plug that must be removed prior to gear unit start-up.

Type	Transportation Seal	Installation	Part Number
AUTOVENT™	Included	Factory or Field site	66093510
Open Vent	None	Field Only	60693500
Open Vent	Included	Factory or Field site	22008004 (vent) 25308120 (gasket)

Unless noted by a separate part number, vent kits include the housing gasket



### NOTICE

To prevent build-up of excessive pressure, sealed vents must be activated as shown prior to gear unit start-up. Excessive pressure may cause damage to internal components and cause leakage.

## 6. AUTOVENT™

The AUTOVENT™ helps prevent bearing and gear damage by behaving like a check valve to block the entry of foreign material and prevent lubrication contamination from dust particles, moisture and air-borne process chemicals. The breather opens at approximately 0.3-0.9 psi during operation and closes tightly as the gearbox cools. This option is perfect for humid conditions and wash-down environments, helping to maintain proper oil cleanliness, while reducing foaming and oxidation.

## 7. Open Vent

A typical gearbox industry open vent option can also be supplied by NORD. This option allows free exchange of air and does not build-up any back pressure inside the gear unit. This option is ideal for many operating conditions where the geared product is used in relatively clean and moisture-free environment.



# FLEXBLOC™ (SI/SID SERIES) WORM GEAR LUBRICATION GUIDELINES



DRIVESYSTEMS

RETAIN FOR FUTURE USE

U10810 - 2 of 2

## 8. When to Use a Sealed or a Vented Unit

There are many conditions that should be considered when deciding whether to use a sealed or vented unit.

1. If the duty cycle is intermittent, the run times are short, and any build-up of internal pressure or temperature is relatively low, the sealed unit option may be used.
2. If running continuous and under moderate to high load conditions, worm gears can generate higher operating temperatures and a build-up of internal pressure. In these instances a vent is strongly recommended. Consult NORD if operation at high load conditions is required.
3. If running continuous at 4-pole electric motor speeds (1800 rpm at 60 Hz) or higher, then a vent option is usually recommended. Consult NORD if operation at higher speeds is required.
4. Radial shaft seals produce a hydrodynamic pumping action to help push lubricant back into the gear unit, causing a small amount of ingested air and a small pressure increase (1-2 psi) that does not normally require a reducer vent; however when combined with continuous operation under high load (Condition 2), additional operating pressures will result and a vent should be used.
5. When the environment is contaminated with water, dirt, or other objects that may be ingested into the breather, increased wear of bearings, gearing, and lubrication breakdown can result. In these instances the sealed option or an AUTOVENT™ should be considered.

## 9. Maximum Oil Sump Temperature Limit

To prevent reducer overheating, the reducer's maximum oil-ump temperature limit must not be exceeded for prolonged periods of operation.

Oil Type	Maximum Oil Temperature Limit	
	NORD	AGMA 9005-D94
Synthetic	105°C (220°F)	107°C (225°F)



### IMPORTANT NOTE

Use caution when specifying gear reducers for high temperature service. If there is concern about exceeding the allowable safe operating temperatures, please consult NORD to discuss alternatives.

## 10. Oil Viscosity

The viscosity rating determines the operating oil's resistance to shear under load conditions. Some important viscosity considerations include the following:

- Lightly loaded gears require lower viscosity oils than highly loaded gears.
- Lower viscosity will provide thin oil film, lower friction, higher mechanical efficiency, and better heat removal conditions.
- Higher viscosity will provide thicker oil film, and better resistance to sliding wear, scuffing wear, and galling at high pressure.
- Higher operating temperatures will cause a reduction in viscosity and lower operating temperatures, cause an increase in viscosity or a thickening of the oil.

The standard oil-fill is considered acceptable for most applications. In certain situations an oil viscosity change may be beneficial.

- If the gear unit is exposed to frequent high load conditions. A higher viscosity oil will have a higher film thickness offering better overall resistance to oil shear, sliding wear and scuffing wear in gears and roller element bearings.
- An oil viscosity correction or lubrication change may improve the overall performance when operating the gear unit at very low or high ambient temperature conditions.



### IMPORTANT NOTE

The user should consult with their primary lubrication supplier before considering changes in oil type or viscosity.

## 11. Viscosity Index

Viscosity index helps quantify the rate of oil viscosity change with respect to temperature changes. Oils with a reasonably high viscosity index tend to be more stable in a changing temperature environment. The ability of an oil to maintain a small viscosity differential over the operating range of the gearbox provides a more consistent lubricating film and better wear performance.

Synthetic oils typically have a higher viscosity index than mineral oils and polyglycol oils tend to have an exceptionally high viscosity index compared to other synthetic oils like polyalphaolefin or ester based products.



# EXPANSION CHAMBERS INSTALLATION & MAINTENANCE MANUAL



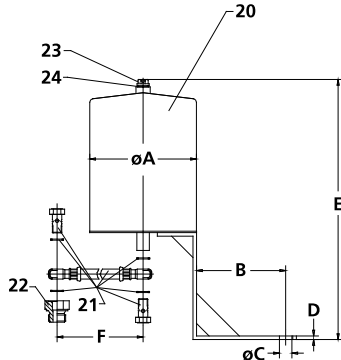
DRIVESYSTEMS

RETAIN FOR FUTURE USE

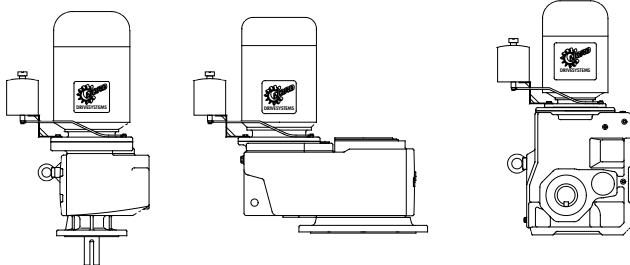
U10830 - 1 of 2

## Installation Instructions

Sometimes NORD requires the use of an oil expansion chamber when the motor or reducer input is mounted vertically. Consult your NORD catalog for additional information and application considerations.



1. Secure the gear reducer in the proper mounting position for the application and remove the vent plug from the gear reducer. The hose assembly kit (21) will be fitted to the reducer using the housing port provided.
2. When using the larger 2.7 and 5.4 liter chambers, screw the adapter fitting (22) into the reducer housing port. Use all sealing gaskets provided.
3. Mount the overflow tank (20) at the highest location from the reducer, as permitted by the hose assembly kit (21). Typical mounting configurations are represented below. Use one of the input cover's mounting bolts, to mount the chamber support leg to the reducer.



4. Be sure to use the proper fittings. Assemble one end of the vent-hose assembly (21) to bottom of the chamber and one-end to the reducer.
5. Secure the vent-plug (23) and gasket (24) that is supplied with the kit to the top of the expansion chamber.

### NOTICE

Remove the protective "rubber element" from the supplied vent prior to use so that an open-vent is formed on top of the overflow tank. Avoid using a pressurized AUTOVENT™ breather on the overflow tank since this may create an undesired pressure-vacuum in the overflow tank.

## Expansion Chamber Kit Dimensions & Parts List

### Kit Part Number: 28390390 - 0.7 Liter Oil Expansion Chamber

Kit P/N	Ø A	B	Ø C	D	E	F	Units
28390390 (0.7 Liter)	3.94 100	1.97 50	0.53 13.5	0.20 5	8.50 216	19.69 500	inch mm

Item	Part Number	Description
20	28300390	Overflow Tank - 0.7 Liter
21	28310020	Flexible Vent Hose Assembly - Includes: Hose, metal gaskets & 2 Hollow Bolts (1 Bolt - M12 X 1.5 and 1 Pc. - G1/4)
22	None	Adapter Fitting
23	22012004	Normal Style Vent Plug (M12 X 1.5, DIN 910)
24	25312150	Vent Plug Gasket (12 X 15.5 X 1.5)

### Kit Part Number: 28390400 - 2.7 Liter Oil Expansion Chamber

Kit P/N	Ø A	B	Ø C	D	E	F	Units
28390400 (2.7 Liter)	5.91 150	4.92 125	0.69 17.5	0.20 5	15.22 386.5	27.56 700	inch mm

Item	Part Number	Description
20	28300400	Overflow Tank - 2.7 Liter
21	28310030	Flexible Vent Hose Assy - Includes: Hose, metal gaskets & 2 Hollow Bolts (2 Pcs. - G1/4)
22	22024030	Adapter Fitting (M24 X 1.5 to G1/4)
23	22012004	Normal Style Vent Plug (M12 X 1.5, DIN 910)
24	25312150	Vent Plug Gasket (12 X 15.5 X 1.5)

### Kit Part Number: 28390410 - 5.4 Liter Oil Expansion Chamber

Kit P/N	Ø A	B	Ø C	D	E	F	Units
28390410 (5.4 Liter)	7.09 180	3.54 90	0.69 17.5	0.20 5	15.18 385.5	31.50 800	inch mm

Item	Part Number	Description
20	28300410	Overflow Tank - 5.4 Liter
21	28310040	Flexible Vent Hose Assy - Includes: Hose, metal gaskets & 2 Hollow Bolts (2 Pcs. - G1/4)
22	22030030	Adapter Fitting (M30 X 1.5 to G1/4)
23	22012004	Normal Style Vent Plug (M12 X 1.5, DIN 910)
24	25312150	Vent Plug Gasket (12 X 15.5 X 1.5)

Please see page 2 for gearbox compatibility



# EXPANSION CHAMBERS INSTALLATION & MAINTENANCE MANUAL



DRIVESYSTEMS

RETAIN FOR FUTURE USE





U10830 - 2 of 2

## Expansion Chamber Compatibility Chart

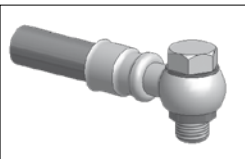
Helical In-line	NORDBLOC™	NORDBLOC.1™	Clincher™	Helical-Bevel	Part Number	[lb]
SK 42/43 SK 52/53 SK 63	SK472/473 SK572/573 SK672/673 SK772/773 SK872/873 SK972/973	SK572.1/573.1* SK672.1/673.1* SK772.1/773.1 SK872.1/873.1 SK972.1/973.1	SK 4282/4382 SK 5282/5382 SK 6382	SK 9042.1/9043.1 SK 9052.1/9053.1	28390390	11.0
SK 62 SK 72/73			SK 6282 SK 7282/7382	SK 9072.1 SK 9082.1	28390400	13.2
SK 82/83 SK 92/93 SK 102/103			SK 8282/8382	SK 9086.1 SK 9092.1 SK 9096.1	28390410	15.4

\* Need to additionally order part #28390380 which is sub-assembly shown below.

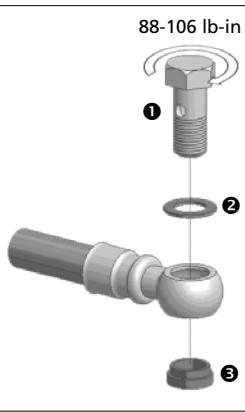
## Sub-Assembly P/N 28390380 for NORDBLOC®.1 gear units with M10x1 air vent.

 <b>1</b> 1x DIN 7643 M10x1 283 00380	 <b>2</b> 1x DIN 7603A Cu 10x16x1 253 10166	 <b>3</b> 1x Ring 10x14x5 283 00370	 <b>4</b> 1xDIN 9021 ø8,4 227 10840
--	--	--	--

## Assembly of the expansion unit at the gear unit. Types SK 572.1/573.1, SK 672.1/673.1



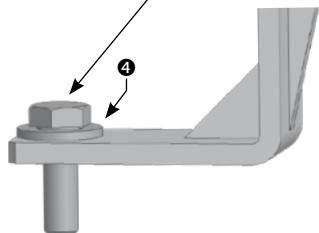
Vent Hose Sub-Assembly



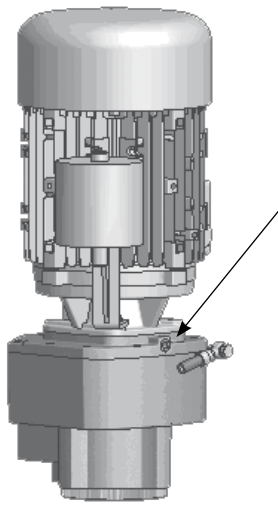
88-106 lb-in

**4** For motor sizes 63, 71, 80, 90, 100 & 112

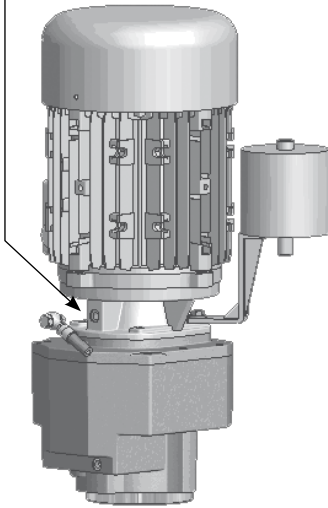
- Motor attachment bolt



Motor Sizes 63, 71 & 80:  
Assembly vent-hose to port as shown.



Motor Sizes 90, 100 & 112:  
Assembly vent-hose to port as shown.





# HELICAL & BEVEL REDUCER LUBRICATION TYPES



DRIVESYSTEMS

RETAIN FOR FUTURE USE

U11000 - 1 of 2

## Lubrication Tables – Helical and Bevel Gear Units

### Standard Oil Lubricants

ISO Viscosity	Oil Type	Ambient Temperature Range	Manufacturer Brand/Type	Notes
VG220	MIN-EP	0 to 40°C (32 to 104°F)	Mobilgear 600XP220	♠①
	PAO-EP	-35 to 60°C (-31 to 140°F)	Mobil SHC Gear 220	♠②
	FG	-5 to 40°C (23 to 104°F)	Fuchs FM220	♠

### Optional Oil Lubricants

ISO Viscosity	Oil Type	Ambient Temperature Range	Manufacturer Brand/Type	Notes
VG460	PAO-EP	-35 to 80°C (-31 to 176°F)	Mobil SHC Gear 460	-
	FG-PAO	-35 to 80°C (-31 to 176°F)	Mobil SHC Cibus 460	-
VG220	FG-PAO	-35 to 60°C (-31 to 140°F)	Mobil SHC Cibus 220	S
VG150	PAO-EP	-35 to 25°C (-31 to 77°F)	Mobil SHC Gear 150	-

### Grease Options (applied to greased bearings and seal cavities)

NLGI Grade	Grease Thickener	Grease Base Oil	Ambient Temperature Range	Manufacturer Brand/Type	Notes
NLGI 2	Li-Complex	MIN	-30 to 60°C (-22 to 140°F)	Mobil Grease XHP222	♠①
	Li-Complex	PAO	-40 to 80°C (-40 to 176°F)	Mobil / Mobilith SHC 220	♠②
	Polyurea	FG-PAO	-30 to 80°C (-22 to 176°F)	Mobil SHC Polyrex 222	♠

♠ Stocked Lubricants

① Standard product on serviceable gear units

② Standard product on maintenance free gear units



## IMPORTANT NOTE

- The “Ambient Temperature” is intended to be an operation guideline based upon the typical properties of all the lubricant. The viscosity and other properties of the lubricant change based upon load, speed, ambient conditions, and reducer operating temperatures. The user should consult with their lubrication supplier & NORD gear before considering changes in oil type or viscosity.
- To prevent reducer overheating, observe the maximum operating oil temperature limits:  
Mineral Oil: 80-85 °C (176 – 180 °F).  
Synthetic Oil: 105 °C (225 °F).
- In the following instances, please consult NORD for specific recommendations:
  - √ Gear units will operate in high ambient temperature conditions exceeding 40 °C (104 °F).
  - √ Gear units will operate in cold ambient temperature conditions approaching 0 °C (32 °F) or lower.
  - √ Lower than an ISO VG100 viscosity oil is being considered for a cold-temperature service.
  - √ Fluid grease is required for lubricating the gear unit.
- Observe the general lubrication guidelines outlined in user manual U10750.

### Oil Formulation Codes

- MIN-EP - Mineral Oil with EP Additive
- PAO-EP - Synthetic Polyalphaolefin Oil with EP Additive
- PAO - Synthetic Polyalphaolefin Oil
- PG - Synthetic Polyglycol Oil
- FG - Food-Grade Oil
- FG-PAO - Food-Grade, Synthetic Polyalphaolefin Oil
- FG-PG - Food-Grade, Synthetic Polyglycol Oil

### Lubrication Notes

- Avoid using (EP) gear oils in worm gears that contain sulfur-phosphorous chemistries, as these additives can react adversely with bronze worm gears and accelerate wear.
- Food grade lubricants must be in compliance with FDA 212 CFR 178.3570 and qualify as a NSF-H1 lubricant. Please consult with lubrication manufacturer for more information.
- When making a lubrication change, check with the lubrication supplier to assure compatibility and to obtain recommended cleaning or flushing procedures.
- Do not to mix different oils with different additive packages or different base oil formulation types. Polyglycol (PG) oils are not miscible with other oil types and should never be mixed with mineral oil or polyalphaolefin (PAO) synthetic oil.

**NORD Gear Limited**

Toll Free in Canada: 800.668.4378

**NORD Gear Corporation**

Toll Free in the United States: 888.314.6673





# HELICAL & BEVEL REDUCER LUBRICATION TYPES



DRIVESYSTEMS

RETAIN FOR FUTURE USE

U11000 - 2 of 2

Oil Cross-reference Chart

ISO Viscosity	Oil Type	Ambient Temperature Range	Mobil	Shell	Castrol	FUCHS	KLÜBER LUBRICATION
VG150	MIN-EP	0 to 25°C (32 to 77°F)	Mobilgear 600XP150	Omala S2 G 150	Alpha SP150	Renolin EP150	Klüberoil GEM 1-150N
	PAO-EP	-30 to 25 °C (-22 to 77 °F)	Mobil SHC Gear 150	Omala S4 GX 150	Alphasyn EP150	Gearmaster SYN150/NA	Klübersynth EG 4-150
	PAO	-30 to 25°C (-22 to 77°F)	Mobil SHC629	Morlina S4 B 150	Alphasyn T150	N/A	Klübersynth GEM 4-150N
	PG	-25 to 25°C (-13 to 77°F)	Mobil Glygoyle 150	Omala S4 WE 150	Alphasyn PG150	Renolin PG150	Klübersynth GH 6-150
	FG	0 to 25°C (32 to 77°F)	Mobil DTE FM 150	N/A	N/A	N/A	N/A
	FG-PAO	-15 to 25°C (5 to 77°F)	Mobil SHC Cibus 150	N/A	N/A	Cassida GL150	Klüberoil 4 UH 1-150N
	FG-PG	-25 to 25°C (-13 to 77°F)	Mobil Glygoyle 150	N/A	N/A	N/A	Klübersynth UH1 6-150
VG220	MIN-EP	0 to 40°C (32 to 104°)	Mobilgear 600XP220	Omala S2 G 220	Alpha SP220	Renolin EP220	Klüberoil GEM 1-220N
	PAO-EP	-30 to 60 °C (-22 to 140 °F)	Mobil SHC Gear 220	Omala S4 GX 220	Alphasyn EP220	Gearmaster SYN220/NA	Klübersynth EG 4-220
	PAO	-30 to 60°C (-22 to 140°F)	Mobil SHC630	Morlina S4 B 220	Alphasyn T220	N/A	Klübersynth GEM 4-220N
	PG	-25 to 60°C (-13 to 140°F)	Mobil Glygoyle 220	Omala S4 WE 220	Alphasyn PG220	Renolin PG220	Klübersynth GH 6-220
	FG	0 to 40°C (32 to 104°F)	Mobil DTE FM 220	N/A	N/A	Fuchs FM220	N/A
	FG-PAO	-25 to 60°C (-13 to 140°F)	Mobil SHC Cibus 220	N/A	N/A	Cassida GL220	Klüberoil 4 UH 1-220N
	FG-PG	-25 to 60°C (-13 to 140°F)	Mobil Glygoyle 220	N/A	N/A	Cassida WG220	Klübersynth UH1 6-220
VG460	MIN-EP	0 to 40°C (32 to 104°F)	Mobilgear 600XP460	Omala S2 G 460	Alpha SP460	Renolin EP460	Klüberoil GEM 1-460N
	PAO-EP	-20 to 80°C (-4 to 176°F)	Mobil SHC Gear 460	Omala S4 GX 460	Alphasyn EP460	Gearmaster SYN460/NA	Klübersynth EG 4-460
	PAO	-20 to 80°C (-4 to 176°F)	Mobil SHC 634	Morlina S4 B 460	Alphasyn T460	N/A	Klübersynth GEM 4-460N
	PG	-20 to 80°C (-4 to 176°F)	Mobil Glygoyle 460	Omala S4 WE 60	Alphasyn PG460	N/A	Klübersynth GH 6-460
	FG	0 to 40°C (32 to 104°F)	Mobil DTE FM460	N/A	N/A	Fuchs FM460	N/A
	FG-PAO	-20 to 80°C (-4 to 176°F)	Mobil SHC Cibus 460	N/A	N/A	Cassida GL460	Klüberoil 4 UH 1-460N
	FG-PG	-20 to 80°C (-4 to 176°F)	Mobil Glygoyle 460	N/A	N/A	Cassida WG460	Klübersynth UH1 6-460

Low-end service temperature limit may vary for a specific lubricant; Please also see the important notes on Page 1.



# CONVEYOR DRIVE LUBRICATION TYPES



DRIVESYSTEMS

RETAIN FOR FUTURE USE

U11001 - 1 of 2

## Lubrication Tables – SK 9055 and SK 9155 Gear Units

### Standard Oil Lubricants

ISO Viscosity	Oil Type	Ambient Temperature Range	Manufacturer Brand/Type	Notes
VG220	MIN-EP	0 to 40°C (32 to 104°F)	Mobilgear 600XP220	♠①
	PAO	-35 to 60°C (-31 to 140°F)	Mobil SHC630	♠②
	FG	-5 to 40°C (23 to 104°F)	Fuchs FM220	♠

### Optional Oil Lubricants

ISO Viscosity	Oil Type	Ambient Temperature Range	Manufacturer Brand/Type	Notes
VG460	PAO	-35 to 80°C (-31 to 176°F)	Mobil SHC 634	-
	FG-PAO	-35 to 80°C (-31 to 176°F)	Mobil SHC Cibus 460	-
VG220	FG-PAO	-35 to 60°C (-31 to 140°F)	Mobil SHC Cibus 220	S
VG150	PAO	-35 to 25°C (-31 to 77°F)	Mobil SHC629	-

### Grease Options (applied to greased bearings and seal cavities)

NLGI Grade	Grease Thickeners	Grease Base Oil	Ambient Temperature Range	Manufacturer Brand/Type	Notes
NLGI 2	Li-Complex	MIN	-30 to 60°C (-22 to 140°F)	Mobil Grease XHP222	♠①
	Li-Complex	PAO	-40 to 80°C (-40 to 176°F)	Mobil / Mobilith SHC 220	♠②
	Polyurea	FG-PAO	-30 to 80°C (-22 to 176°F)	Mobil SHC Polyrex 222	♠

♠ Stocked Lubricants

① Standard product on serviceable gear units

② Standard product on maintenance free gear units



## IMPORTANT NOTE

- The “Ambient Temperature” is intended to be an operation guideline based upon the typical properties of all the lubricant. The viscosity and other properties of the lubricant change based upon load, speed, ambient conditions, and reducer operating temperatures. The user should consult with their lubrication supplier & NORD gear before considering changes in oil type or viscosity.
- To prevent reducer overheating, observe the maximum operating oil temperature limits:  
Mineral Oil: 80-85 °C (176 – 180 °F).  
Synthetic Oil: 105 °C (225 °F).
- In the following instances, please consult NORD for specific recommendations:
  - √ Gear units will operate in high ambient temperature conditions exceeding 40 °C (104 °F).
  - √ Gear units will operate in cold ambient temperature conditions approaching 0 °C (32 °F) or lower.
  - √ Lower than an ISO VG100 viscosity oil is being considered for a cold-temperature service.
  - √ Fluid grease is required for lubricating the gear unit.
- Observe the general lubrication guidelines outlined in user manual U10750.

### Oil Formulation Codes

- MIN-EP - Mineral Oil with EP Additive
- PAO-EP - Synthetic Polyalphaolefin Oil with EP Additive
- PAO - Synthetic Polyalphaolefin Oil
- PG - Synthetic Polyglycol Oil
- FG - Food-Grade Oil
- FG-PAO - Food-Grade, Synthetic Polyalphaolefin Oil
- FG-PG - Food-Grade, Synthetic Polyglycol Oil

### Lubrication Notes

- Avoid using (EP) gear oils in worm gears that contain sulfur-phosphorous chemistries, as these additives can react adversely with bronze worm gears and accelerate wear.
- Food grade lubricants must be in compliance with FDA 212 CFR 178.3570 and qualify as a NSF-H1 lubricant. Please consult with lubrication manufacturer for more information.
- When making a lubrication change, check with the lubrication supplier to assure compatibility and to obtain recommended cleaning or flushing procedures.
- Do not to mix different oils with different additive packages or different base oil formulation types. Polyglycol (PG) oils are not miscible with other oil types and should never be mixed with mineral oil or polyalphaolefin (PAO) synthetic oil.

**NORD Gear Limited**

Toll Free in Canada: 800.668.4378

**NORD Gear Corporation**

Toll Free in the United States: 888.314.6673



# CONVEYOR DRIVE LUBRICATION TYPES



DRIVESYSTEMS

RETAIN FOR FUTURE USE

U11001 - 2 of 2

Oil Cross-reference Chart

ISO Viscosity	Oil Type	Ambient Temperature Range	Mobil	Shell	Castrol	FUCHS	KLÜBER LUBRICATION
VG150	MIN-EP	0 to 25°C (32 to 77°F)	Mobilgear 600XP150	Omala S2 G 150	Alpha SP150	Renolin EP150	Klüberoil GEM 1-150N
	PAO-EP	-30 to 25 °C (-22 to 77 °F)	Mobilgear SHC150	Omala S4 GX 150	Alphasyn EP150	Gearmaster SYN150/NA	Klübersynth EG 4-150
	PAO	-30 to 25°C (-22 to 77°F)	Mobil SHC629	Morlina S4 B 150	Alphasyn T150	N/A	Klübersynth GEM 4-150N
	PG	-25 to 25°C (-13 to 77°F)	Mobil Glygoyle 150	Omala S4 WE 150	Alphasyn PG150	Renolin PG150	Klübersynth GH 6-150
	FG	0 to 25°C (32 to 77°F)	Mobil DTE FM 150	N/A	N/A	N/A	N/A
	FG-PAO	-15 to 25°C (5 to 77°F)	Mobil SHC Cibus 150	N/A	N/A	Cassida GL150	Klüberoil 4 UH 1-150N
	FG-PG	-25 to 25°C (-13 to 77°F)	Mobil Glygoyle 150	N/A	N/A	N/A	Klübersynth UH1 6-150
VG220	MIN-EP	0 to 40°C (32 to 104°)	Mobilgear 600XP220	Omala S2 G 220	Alpha SP220	Renolin EP220	Klüberoil GEM 1-220N
	PAO-EP	-30 to 60 °C (-22 to 140 °F)	Mobilgear SHC220	Omala S4 GX 220	Alphasyn EP220	Gearmaster SYN220/NA	Klübersynth EG 4-220
	PAO	-30 to 60°C (-22 to 140°F)	Mobil SHC630	Morlina S4 B 220	Alphasyn T220	N/A	Klübersynth GEM 4-220N
	PG	-25 to 60°C (-13 to 140°F)	Mobil Glygoyle 220	Omala S4 WE 220	Alphasyn PG220	Renolin PG220	Klübersynth GH 6-220
	FG	0 to 40°C (32 to 104°F)	Mobil DTE FM 220	N/A	N/A	Fuchs FM220	N/A
	FG-PAO	-25 to 60°C (-13 to 140°F)	Mobil SHC Cibus 220	N/A	N/A	Cassida GL220	Klüberoil 4 UH 1-220N
	FG-PG	-25 to 60°C (-13 to 140°F)	Mobil Glygoyle 220	N/A	N/A	Cassida WG220	Klübersynth UH1 6-220
VG460	MIN-EP	0 to 40°C (32 to 104°F)	Mobilgear 600XP460	Omala S2 G 460	Alpha SP460	Renolin EP460	Klüberoil GEM 1-460N
	PAO-EP	-20 to 80°C (-4 to 176°F)	Mobilgear SHC460	Omala S4 GX 460	Alphasyn EP460	Gearmaster SYN460/NA	Klübersynth EG 4-460
	PAO	-20 to 80°C (-4 to 176°F)	Mobil SHC 634	Morlina S4 B 460	Alphasyn T460	N/A	Klübersynth GEM 4-460N
	PG	-20 to 80°C (-4 to 176°F)	Mobil Glygoyle 460	Omala S4 WE 60	Alphasyn PG460	N/A	Klübersynth GH 6-460
	FG	0 to 40°C (32 to 104°F)	Mobil DTE FM460	N/A	N/A	Fuchs FM460	N/A
	FG-PAO	-20 to 80°C (-4 to 176°F)	Mobil SHC Cibus 460	N/A	N/A	Cassida GL460	Klüberoil 4 UH 1-460N
	FG-PG	-20 to 80°C (-4 to 176°F)	Mobil Glygoyle 460	N/A	N/A	Cassida WG460	Klübersynth UH1 6-460

Low-end service temperature limit may vary for a specific lubricant; Please also see the important notes on Page 1.



# HELICAL-WORM REDUCER LUBRICATION TYPES



## Lubrication Tables – Helical Worm Gear Units

### Standard Oil Lubricants

ISO Viscosity	Oil Type	Ambient Temperature Range	Manufacturer Brand/Type	Notes
VG680	PAO	0 to 60°C (32 to 140°F)	Mobil SHC636	◆

### Optional Oil Lubricants

ISO Viscosity	Oil Type	Ambient Temperature Range	Manufacturer Brand/Type	Notes
VG460	PAO	0 to 50°C (32 to 122°F)	Mobil SHC 634	-
	FG-PAO	0 to 50°C (32 to 122°F)	Mobil SHC Cibus 460	-

### Grease Options (applied to greased bearings and seal cavities)

NLGI Grade	Grease Thickeners	Grease Base Oil	Ambient Temperature Range	Manufacturer Brand/Type	Notes
NLGI 2	Li-Complex	PAO	-40 to 80°C (-40 to 176°F)	Mobil / Mobilith SHC 220	◆
	Polyurea	FG-PAO	-30 to 80°C (-22 to 176°F)	Mobil SHC Polyrex 222	◆

### ◆ Stocked Lubricants

	<b>IMPORTANT NOTE</b>
<ul style="list-style-type: none"> <li>• The “Ambient Temperature” is intended to be an operation guideline based upon the typical properties of all the lubricant. The viscosity and other properties of the lubricant change based upon load, speed, ambient conditions, and reducer operating temperatures. The user should consult with their lubrication supplier &amp; NORD Gear before considering changes in oil type or viscosity.</li> <li>• To prevent reducer overheating, observe the maximum operating oil temperature limits: Synthetic Oil: 105 °C (225 °F).</li> <li>• In the following instances, please consult NORD for specific recommendations:               <ul style="list-style-type: none"> <li>√ Gear units will operate in high ambient temperature conditions exceeding 40 °C (104 °F).</li> <li>√ Gear units will operate in cold ambient temperature conditions approaching 0 °C (32 °F) or lower.</li> <li>√ Lower than an ISO VG100 viscosity oil is being considered for a cold-temperature service.</li> <li>√ Fluid grease is required for lubricating the gear unit.</li> </ul> </li> <li>• Observe the general lubrication guidelines outlined in user manual U10770.</li> </ul>	

### Oil Formulation Codes

- PAO - Synthetic Polyalphaolefin Oil
- PG - Synthetic Polyglycol Oil
- FG-PAO - Food-Grade, Synthetic Polyalphaolefin Oil
- FG-PG - Food-Grade, Synthetic Polyglycol Oil

### Lubrication Notes

- Avoid using (EP) gear oils in worm gears that contain sulfur-phosphorous chemistries, as these additives can react adversely with bronze worm gears and accelerate wear.
- Food grade lubricants must be in compliance with FDA 212 CFR 178.3570 and qualify as a NSF-H1 lubricant. Please consult with lubrication manufacturer for more information.
- When making a lubrication change, check with the lubrication supplier to assure compatibility and to obtain recommended cleaning or flushing procedures.
- Do not to mix different oils with different additive packages or different base oil formulation types. Polyglycol (PG) oils are not miscible with other oil types and should never be mixed with mineral oil or polyalphaolefin (PAO) synthetic oil.



# HELICAL-WORM REDUCER LUBRICATION TYPES



DRIVESYSTEMS

RETAIN FOR FUTURE USE

U11020 - 2 of 2

## Oil Cross-reference Chart

ISO Viscosity	Oil Type	Ambient Temperature Range	Mobil	Shell	Castrol	FUCHS	KLÜBER LUBRICATION
VG 100	PAO	-35 to 25°C (-31 to 77°F)	Mobil SHC627	Morlina S4 B 100	N/A	N/A	Klübersynth GEM 4-100N
	PG	-25 to 25°C (-13 to 77°F)	Mobil Glygoyle 100	N/A	N/A	N/A	Klübersynth GH 6-100
	FG-PAO	-35 to 25°C (-31 to 77°F)	Mobil SHC Cibus 100	N/A	N/A	N/A	Klüberoil 4 UH 1-100N
	FG-PG	-25 to 25°C (-13 to 77°F)	Mobil Glygoyle 100	N/A	N/A	N/A	Klübersynth UH1 6-100
VG150	PAO	-35 to 25°C (-31 to 77°F)	Mobil SHC629	Morlina S4 B 150	Alphasyn T150	N/A	Klübersynth GEM 4-150N
	PG	-25 to 25°C (-13 to 77°F)	Mobil Glygoyle 150	Omala S4 WE 150	Alphasyn PG150	Renolin PG150	Klübersynth GH 6-150
	FG-PAO	-15 to 25°C (5 to 77°F)	Mobil SHC Cibus 150	N/A	N/A	Cassida GL150	Klüberoil 4 UH 1-150N
	FG-PG	-25 to 25°C (-13 to 77°F)	Mobil Glygoyle 150	N/A	N/A	N/A	Klübersynth UH1 6-150
VG220	PAO	-15 to 40°C (5 to 104°F)	Mobil SHC630	Morlina S4 B 220	Alphasyn T220	N/A	Klübersynth GEM 4-220N
	PG	-25 to 40°C (-13 to 104°F)	Mobil Glygoyle 220	Omala S4 WE 220	Alphasyn PG220	Renolin PG220	Klübersynth GH 6-220
	FG-PAO	-25 to 40°C (-13 to 104°F)	Mobil SHC Cibus 220	N/A	N/A	Cassida GL220	Klüberoil 4 UH 1-220N
	FG-PG	-25 to 40°C (-13 to 104°F)	Mobil Glygoyle 220	N/A	N/A	Cassida WG220	Klübersynth UH1 6-220
VG460	PAO	0 to 50°C (32 to 122°F)	Mobil SHC 634	Morlina S4 B 460	Alphasyn T460	N/A	Klübersynth GEM 4-460N
	PG	0 to 50°C (32 to 122°F)	Mobil Glygoyle 460	Omala S4 WE 60	Alphasyn PG460	N/A	Klübersynth GH 6-460
	FG-PAO	0 to 50°C (32 to 122°F)	Mobil SHC Cibus 460	N/A	N/A	Cassida GL460	Klüberoil 4 UH 1-460N
	FG-PG	0 to 50°C (32 to 122°F)	Mobil Glygoyle 460	N/A	N/A	Cassida WG460	Klübersynth UH1 6-460
VG680	PAO	0 to 60°C (32 to 140°F)	Mobil SHC636	Morlina S4 B 680	N/A	N/A	Klübersynth GEM 4-680N
	PG	0 to 60°C (32 to 140°F)	Mobil Glygoyle 680	Omala S4 WE 680	N/A	N/A	Klübersynth GH 6-680
	FG-PAO	0 to 60°C (32 to 140°F)	N/A	N/A	N/A	Cassida GL680	Klüberoil 4 UH1-680N
	FG-PG	0 to 60°C (32 to 140°F)	Mobil Glygoyle 680	N/A	N/A	Cassida WG680	Klübersynth UH1 6-680

Low-end service temperature limit may vary for a specific lubricant; Please also see the important notes on Page 1.





# MINICASE® (SM SERIES) WORM GEAR LUBRICATION TYPES



DRIVESYSTEMS

RETAIN FOR FUTURE USE

U11040 - 1 of 2

## Lubrication Tables – MINICASE® (SM series) Worm Gear Units

### Standard Oil Lubricants

ISO Viscosity	Oil Type	Ambient Temperature Range	Manufacturer Brand/Type	Notes
VG680	PG	-20 to 40°C (-4 to 104°F)	Klübersynth GH 6-680	⬇

### Optional Oil Lubricants

ISO Viscosity	Oil Type	Ambient Temperature Range	Manufacturer Brand/Type	Notes
VG680	FG-PG	-25 to 80°C (-13 to 176°F)	Klübersynth UH1 6-680	⬇

### Grease Options (applied to greased bearings and seal cavities)

NLGI Grade	Grease Thickener	Grease Base Oil	Ambient Temperature Range	Manufacturer Brand/Type	Notes
NLGI 2	Li-Complex	PAO	-25 to 80°C (-13 to 176°F)	Kluber / Petamo GHY133N	⬇
	Aluminum	FG	-25 to 40°C (-13 to 104°F)	Kluber / Klübersynth UH1 14-151	⬇

### ⬇ Stocked Lubricants



## IMPORTANT NOTE

- Observe the general lubrication guidelines in User Manual U17900.
- Ambient temperature range is a guideline only. The allowed operating temperature range for the gear unit is dependent upon assembly components used, their individual temperature limits, and the actual operating conditions.
- The selected oil type and viscosity is considered appropriate for most applications utilizing the specified NORD gear unit type. Different oil types or viscosity grades may be recommended if the gear unit is exposed to frequent high load conditions or operating under extreme low or high ambient temperature conditions.
- To prevent reducer overheating, observe the maximum operating oil temperature limits:  
Synthetic oil: 105 °C (225 °F).
- Consult NORD for recommendations in the following instances:
  - √ The gear unit is exposed to frequent high load conditions.
  - √ Ambient temperature conditions exceed 40 °C (104 °F) or approach 0 °C (32 °F) or lower.
  - √ Fluid grease is being considered or specified for lubricating the gear unit.
  - √ Lower than an ISO VG100 viscosity oil is being considered for a cold-temperature service.

### Oil Formulation Codes

PAO	-	Synthetic Polyalphaolefin Oil
PG	-	Synthetic Polyglycol Oil
FG-PAO	-	Food-Grade, Synthetic Polyalphaolefin Oil
FG-PG	-	Food-Grade, Synthetic Polyglycol Oil

## NOTICE

- Avoid using (EP) gear oils in worm gears that contain sulfur-phosphorous chemistries, as these additives can react adversely with bronze worm gears and accelerate wear.
- Food grade lubricants must be in compliance with FDA 212 CFR 178.3570 and qualify as a NSF-H1 lubricant. Please consult with lubrication manufacturer for more information.
- When making a lubrication change, check with the lubrication supplier to assure compatibility and to obtain recommended cleaning or flushing procedures.
- Do not to mix different oils with different additive packages or different base oil formulation types. Polyglycol (PG) oils are not miscible with other oil types and should never be mixed with mineral or polyalphaolefin (PAO) oils.

**NORD Gear Limited**

Toll Free in Canada: 800.668.4378

**NORD Gear Corporation**

Toll Free in the United States: 888.314.6673



# MINICASE® (SM SERIES) WORM GEAR LUBRICATION TYPES



DRIVESYSTEMS

RETAIN FOR FUTURE USE

U11040 - 2 of 2

Oil Cross-reference Chart

ISO Viscosity	Oil Type	Ambient Temperature Range	Mobil	Shell	Castrol	FUCHS	KLÜBER LUBRICATION
VG 100	PAO	-35 to 25°C (-31 to 77°F)	Mobil SHC627	Morlina S4 B 100	N/A	N/A	Klübersynth GEM 4-100N
	PG	-25 to 25°C (-13 to 77°F)	Mobil Glygoyle 100	N/A	N/A	N/A	Klübersynth GH 6-100
	FG-PAO	-30 to 25°C (-22 to 77°F)	Mobil SHC Cibus 100	N/A	N/A	N/A	Klüberoil 4 UH 1-100N
	FG-PG	-25 to 25°C (-13 to 77°F)	Mobil Glygoyle 100	N/A	N/A	N/A	Klübersynth UH1 6-100
VG150	PAO	-35 to 25°C (-31 to 77°F)	Mobil SHC629	Morlina S4 B 150	Alphasyn T150	N/A	Klübersynth GEM 4-150N
	PG	-25 to 25°C (-13 to 77°F)	Mobil Glygoyle 150	Omala S4 WE 150	Alphasyn PG150	Renolin PG150	Klübersynth GH 6-150
	FG-PAO	-15 to 25°C (5 to 77°F)	Mobil SHC Cibus 150	N/A	N/A	Cassida GL150	Klüberoil 4 UH 1-150N
	FG-PG	-25 to 25°C (-13 to 77°F)	Mobil Glygoyle 150	N/A	N/A	N/A	Klübersynth UH1 6-150
VG220	PAO	-35 to 40°C (-31 to 104°F)	Mobil SHC630	Morlina S4 B 220	Alphasyn T220	N/A	Klübersynth GEM 4-220N
	PG	-25 to 40°C (-13 to 104°F)	Mobil Glygoyle 220	Omala S4 WE 220	Alphasyn PG220	Renolin PG220	Klübersynth GH 6-220
	FG-PAO	-25 to 40°C (-13 to 104°F)	Mobil SHC Cibus 220	N/A	N/A	Cassida GL220	Klüberoil 4 UH 1-220N
	FG-PG	-25 to 40°C (-13 to 104°F)	Mobil Glygoyle 220	N/A	N/A	Cassida WG220	Klübersynth UH1 6-220
VG460	PAO	-20 to 40°C (-4 to 104°F)	Mobil SHC 634	Morlina S4 B 460	Alphasyn T460	N/A	Klübersynth GEM 4-460N
	PG	-20 to 40°C (-4 to 104°F)	Mobil Glygoyle 460	Omala S4 WE 60	Alphasyn PG460	N/A	Klübersynth GH 6-460
	FG-PAO	-5 to 40°C (23 to 104°F)	Mobil SHC Cibus 460	N/A	N/A	Cassida GL460	Klüberoil 4 UH 1-460N
	FG-PG	-5 to 40°C (23 to 104°F)	Mobil Glygoyle 460	N/A	N/A	Cassida WG460	Klübersynth UH1 6-460
VG680	PAO	-20 to 40°C (-4 to 104°F)	Mobil SHC636	Morlina S4 B 680	N/A	N/A	Klübersynth GEM 4-680N
	PG	-20 to 40°C (-4 to 104°F)	Mobil Glygoyle 680	Omala S4 WE 680	N/A	N/A	Klübersynth GH 6-680
	FG-PAO	-5 to 40°C (23 to 104°F)	N/A	N/A	N/A	Cassida GL680	Klüberoil 4 UH1-680N
	FG-PG	-25 to 80°C (-13 to 176°F)	Mobil Glygoyle 680	N/A	N/A	Cassida WG680	Klübersynth UH1 6-680

Low-end service temperature limit may vary for a specific lubricant; Please also see the important notes on Page 1.



# MINICASE® (SMI/SMID) WORM GEAR LUBRICATION TYPES



DRIVESYSTEMS

RETAIN FOR FUTURE USE

U11050 - 1 of 2

## Lubrication Tables – MINICASE® (SMI/SMID series) Worm Gear Units

### Standard Oil Lubricants

ISO Viscosity	Oil Type	Ambient Temperature Range	Manufacturer Brand/Type	Notes
VG680	PG	-20 to 40°C (-4 to 104°F)	Klübersynth GH 6-680	⬇


### Optional Oil Lubricants

ISO Viscosity	Oil Type	Ambient Temperature Range	Manufacturer Brand/Type	Notes
VG680	FG-PG	-25 to 80°C (-13 to 176°F)	Klübersynth UH1 6-680	⬇

### Grease Options (applied to greased bearings and seal cavities)

NLGI Grade	Grease Thickeners	Grease Base Oil	Ambient Temperature Range	Manufacturer Brand/Type	Notes
NLGI 2	Li-Complex	PAO	-25 to 80°C (-13 to 176°F)	Klüber / Petamo GHY133N	⬇
	Aluminum	FG	-25 to 40°C (-13 to 104°F)	Klüber / Klübersynth UH1 14-151	⬇

### ⬇ Stocked Lubricants

	<b>IMPORTANT NOTE</b>
	<ul style="list-style-type: none"> <li>Observe the general lubrication guidelines in User Manual U10800.</li> <li>Ambient temperature range is a guideline only. The allowed operating temperature range for the gear unit is dependent upon assembly components used, their individual temperature limits, and the actual operating conditions.</li> <li>The selected oil type and viscosity is considered appropriate for most applications utilizing the specified NORD gear unit type. Different oil types or viscosity grades may be recommended if the gear unit is exposed to frequent high load conditions or operating under extreme low or high ambient temperature conditions.</li> <li>To prevent reducer overheating, observe the maximum operating oil temperature limits: Synthetic oil: 105 °C (225 °F).</li> <li>Consult NORD for recommendations in the following instances:               <ul style="list-style-type: none"> <li>√ The gear unit is exposed to frequent high load conditions.</li> <li>√ Ambient temperature conditions exceed 40 °C (104 °F) or approach 0 °C (32 °F) or lower.</li> <li>√ Fluid grease is being considered or specified for lubricating the gear unit.</li> <li>√ Lower than an ISO VG100 viscosity oil is being considered for a cold-temperature service.</li> </ul> </li> </ul>

### Oil Formulation Codes

- PAO - Synthetic Polyalphaolefin Oil
- PG - Synthetic Polyglycol Oil
- FG-PAO - Food-Grade, Synthetic Polyalphaolefin Oil
- FG-PG - Food-Grade, Synthetic Polyglycol Oil

<b>NOTICE</b>
<ul style="list-style-type: none"> <li>Avoid using (EP) gear oils in worm gears that contain sulfur-phosphorous chemistries, as these additives can react adversely with bronze worm gears and accelerate wear.</li> <li>Food grade lubricants must be in compliance with FDA 212 CFR 178.3570 and qualify as a NSF-H1 lubricant. Please consult with lubrication manufacturer for more information.</li> <li>When making a lubrication change, check with the lubrication supplier to assure compatibility and to obtain recommended cleaning or flushing procedures.</li> <li>Do not to mix different oils with different additive packages or different base oil formulation types. Polyglycol (PG) oils are not miscible with other oil types and should never be mixed with mineral or polyalphaolefin (PAO) oils.</li> </ul>



# MINICASE® (SMI/SMID) WORM GEAR LUBRICATION TYPES



DRIVESYSTEMS

RETAIN FOR FUTURE USE

U11050 - 2 of 2

Oil Cross-reference Chart

ISO Viscosity	Oil Type	Ambient Temperature Range	Mobil	Shell	Castrol	FUCHS	KLÜBER LUBRICATION
VG 100	PAO	-35 to 25°C (-31 to 77°F)	Mobil SHC627	Morlina S4 B 100	N/A	N/A	Klübersynth GEM 4-100N
	PG	-25 to 25°C (-13 to 77°F)	Mobil Glygoyle 100	N/A	N/A	N/A	Klübersynth GH 6-100
	FG-PAO	-30 to 25°C (-22 to 77°F)	Mobil SHC Cibus 100	N/A	N/A	N/A	Klüberoil 4 UH 1-100N
	FG-PG	-25 to 25°C (-13 to 77°F)	Mobil Glygoyle 100	N/A	N/A	N/A	Klübersynth UH1 6-100
VG150	PAO	-35 to 25°C (-31 to 77°F)	Mobil SHC629	Morlina S4 B 150	Alphasyn T150	N/A	Klübersynth GEM 4-150N
	PG	-25 to 25°C (-13 to 77°F)	Mobil Glygoyle 150	Omala S4 WE 150	Alphasyn PG150	Renolin PG150	Klübersynth GH 6-150
	FG-PAO	-15 to 25°C (5 to 77°F)	Mobil SHC Cibus 150	N/A	N/A	Cassida GL150	Klüberoil 4 UH 1-150N
	FG-PG	-25 to 25°C (-13 to 77°F)	Mobil Glygoyle 150	N/A	N/A	N/A	Klübersynth UH1 6-150
VG220	PAO	-35 to 40°C (-31 to 104°F)	Mobil SHC630	Morlina S4 B 220	Alphasyn T220	N/A	Klübersynth GEM 4-220N
	PG	-25 to 40°C (-13 to 104°F)	Mobil Glygoyle 220	Omala S4 WE 220	Alphasyn PG220	Renolin PG220	Klübersynth GH 6-220
	FG-PAO	-25 to 40°C (-13 to 104°F)	Mobil SHC Cibus 220	N/A	N/A	Cassida GL220	Klüberoil 4 UH 1-220N
	FG-PG	-25 to 40°C (-13 to 104°F)	Mobil Glygoyle 220	N/A	N/A	Cassida WG220	Klübersynth UH1 6-220
VG460	PAO	-20 to 40°C (-4 to 104°F)	Mobil SHC 634	Morlina S4 B 460	Alphasyn T460	N/A	Klübersynth GEM 4-460N
	PG	-20 to 40°C (-4 to 104°F)	Mobil Glygoyle 460	Omala S4 WE 60	Alphasyn PG460	N/A	Klübersynth GH 6-460
	FG-PAO	-5 to 40°C (23 to 104°F)	Mobil SHC Cibus 460	N/A	N/A	Cassida GL460	Klüberoil 4 UH 1-460N
	FG-PG	-5 to 40°C (23 to 104°F)	Mobil Glygoyle 460	N/A	N/A	Cassida WG460	Klübersynth UH1 6-460
VG680	PAO	-20 to 40°C (-4 to 104°F)	Mobil SHC636	Morlina S4 B 680	N/A	N/A	Klübersynth GEM 4-680N
	PG	-20 to 40°C (-4 to 104°F)	Mobil Glygoyle 680	Omala S4 WE 680	N/A	N/A	Klübersynth GH 6-680
	FG-PAO	-5 to 40°C (23 to 104°F)	N/A	N/A	N/A	Cassida GL680	Klüberoil 4 UH1-680N
	FG-PG	-25 to 80°C (-13 to 176°F)	Mobil Glygoyle 680	N/A	N/A	Cassida WG680	Klübersynth UH1 6-680

Low-end service temperature limit may vary for a specific lubricant; Please also see the important notes on Page 1.



# FLEXBLOC™ (SI/SID SERIES) WORM GEAR LUBRICATION TYPES



DRIVESYSTEMS

RETAIN FOR FUTURE USE

U11060 - 1 of 2

## Lubrication Tables – FLEXBLOC™ (SI/SID Series) Worm Gear Units

### Standard Oil Lubricants

NORD uses a semi automated assembly process to produce the FLEXBLOC™ gear unit assemblies. During this process the gear units are factory filled in accordance with the following table.

#### Standard Oil Lubricants

ISO Viscosity	Oil Type	Ambient Temperature Range	Manufacturer Brand/Type	Notes
VG680	FG-PG	-25 to 80°C (-13 to 176°F)	Klübersynth UH1 6-680	Inch
	PG	-20 to 40°C (-4 to 104°F)	Klübersynth GH 6-680	Metric
VG220	FG-PG	-25 to 40°C (-13 to 104°F)	Klübersynth UH1 6-220	Inch
	PG	-25 to 40°C (-13 to 104°F)	Klübersynth GH 6-220	Metric

#### Grease Options (applied to greased bearings and seal cavities)

NLGI Grade	Grease Thickener	Grease Base Oil	Ambient Temperature Range	Manufacturer Brand/Type	Notes
NLGI 2	Li-Complex	PAO	-25 to 80°C (-13 to 176°F)	Kluber / Petamo GHY133N	◆
0	Aluminum	FG	-25 to 40°C (-13 to 104°F)	Kluber / Klübersynth UH1 14-151	◆

#### ◆ Stocked Lubricants



### IMPORTANT NOTE

- Observe the general lubrication guidelines in User Manual U10800.
- Ambient temperature range is a guideline only. The allowed operating temperature range for the gear unit is dependent upon assembly components used, their individual temperature limits, and the actual operating conditions.
- The selected oil type and viscosity is considered appropriate for most applications utilizing the specified NORD gear unit type. Different oil types or viscosity grades may be recommended if the gear unit is exposed to frequent high load conditions or operating under extreme low or high ambient temperature conditions.
- To prevent reducer overheating, observe the maximum operating oil temperature limits:  
Synthetic oil: 105 °C (225 °F).
- Consult NORD for recommendations in the following instances:
  - √ The gear unit is exposed to frequent high load conditions.
  - √ Ambient temperature conditions exceed 40 °C (104 °F) or approach 0 °C (32 °F) or lower.
  - √ Fluid grease is being considered or specified for lubricating the gear unit.
  - √ Lower than an ISO VG100 viscosity oil is being considered for a cold-temperature service.

### Oil Formulation Codes

- PAO - Synthetic Polyalphaolefin Oil
- PG - Synthetic Polyglycol Oil
- FG-PAO - Food-Grade, Synthetic Polyalphaolefin Oil
- FG-PG - Food-Grade, Synthetic Polyglycol Oil

### NOTICE

- Avoid using (EP) gear oils in worm gears that contain sulfur-phosphorous chemistries, as these additives can react adversely with bronze worm gears and accelerate wear.
- Food grade lubricants must be in compliance with FDA 212 CFR 178.3570 and qualify as a NSF-H1 lubricant. Please consult with lubrication manufacturer for more information.
- When making a lubrication change, check with the lubrication supplier to assure compatibility and to obtain recommended cleaning or flushing procedures.
- Do not to mix different oils with different additive packages or different base oil formulation types. Polyglycol (PG) oils are not miscible with other oil types and should never be mixed with mineral or polyalphaolefin (PAO) oils.

**NORD Gear Limited**

Toll Free in Canada: 800.668.4378

**NORD Gear Corporation**

Toll Free in the United States: 888.314.6673





# FLEXBLOC™ (SI/SID SERIES) WORM GEAR LUBRICATION TYPES



DRIVESYSTEMS

RETAIN FOR FUTURE USE

U11060 - 2 of 2

Oil Cross-reference Chart

ISO Viscosity	Oil Type	Ambient Temperature Range	Mobil	Shell	Castrol	FUCHS	KLÜBER LUBRICATION
VG 100	PAO	-35 to 25°C (-31 to 77°F)	Mobil SHC627	Morlina S4 B 100	N/A	N/A	Klübersynth GEM 4-100N
	PG	-25 to 25°C (-13 to 77°F)	Mobil Glygoyle 100	N/A	N/A	N/A	Klübersynth GH 6-100
	FG-PAO	-30 to 25°C (-22 to 77°F)	Mobil SHC Cibus 100	N/A	N/A	N/A	Klüberoil 4 UH 1-100N
	FG-PG	-25 to 25°C (-13 to 77°F)	Mobil Glygoyle 100	N/A	N/A	N/A	Klübersynth UH1 6-100
VG150	PAO	-35 to 25°C (-31 to 77°F)	Mobil SHC629	Morlina S4 B 150	Alphasyn T150	N/A	Klübersynth GEM 4-150N
	PG	-25 to 25°C (-13 to 77°F)	Mobil Glygoyle 150	Omala S4 WE 150	Alphasyn PG150	Renolin PG150	Klübersynth GH 6-150
	FG-PAO	-15 to 25°C (5 to 77°F)	Mobil SHC Cibus 150	N/A	N/A	Cassida GL150	Klüberoil 4 UH 1-150N
	FG-PG	-25 to 25°C (-13 to 77°F)	Mobil Glygoyle 150	N/A	N/A	N/A	Klübersynth UH1 6-150
VG220	PAO	-35 to 40°C (-31 to 104°F)	Mobil SHC630	Morlina S4 B 220	Alphasyn T220	N/A	Klübersynth GEM 4-220N
	PG	-25 to 40°C (-13 to 104°F)	Mobil Glygoyle 220	Omala S4 WE 220	Alphasyn PG220	Renolin PG220	Klübersynth GH 6-220
	FG-PAO	-25 to 40°C (-13 to 104°F)	Mobil SHC Cibus 220	N/A	N/A	Cassida GL220	Klüberoil 4 UH 1-220N
	FG-PG	-25 to 40°C (-13 to 104°F)	Mobil Glygoyle 220	N/A	N/A	Cassida WG220	Klübersynth UH1 6-220
VG460	PAO	-20 to 40°C (-4 to 104°F)	Mobil SHC 634	Morlina S4 B 460	Alphasyn T460	N/A	Klübersynth GEM 4-460N
	PG	-20 to 40°C (-4 to 104°F)	Mobil Glygoyle 460	Omala S4 WE 60	Alphasyn PG460	N/A	Klübersynth GH 6-460
	FG-PAO	-5 to 40°C (23 to 104°F)	Mobil SHC Cibus 460	N/A	N/A	Cassida GL460	Klüberoil 4 UH 1-460N
	FG-PG	-5 to 40°C (23 to 104°F)	Mobil Glygoyle 460	N/A	N/A	Cassida WG460	Klübersynth UH1 6-460
VG680	PAO	-20 to 40°C (-4 to 104°F)	Mobil SHC636	Morlina S4 B 680	N/A	N/A	Klübersynth GEM 4-680N
	PG	-20 to 40°C (-4 to 104°F)	Mobil Glygoyle 680	Omala S4 WE 680	N/A	N/A	Klübersynth GH 6-680
	FG-PAO	-5 to 40°C (23 to 104°F)	N/A	N/A	N/A	Cassida GL680	Klüberoil 4 UH1-680N
	FG-PG	-25 to 80°C (-13 to 176°F)	Mobil Glygoyle 680	N/A	N/A	Cassida WG680	Klübersynth UH1 6-680

Low-end service temperature limit may vary for a specific lubricant; Please also see the important notes on Page 1.



# STANDARD IN-LINE FOOTED OIL FILL QUANTITIES



DRIVESYSTEMS

RETAIN FOR FUTURE USE

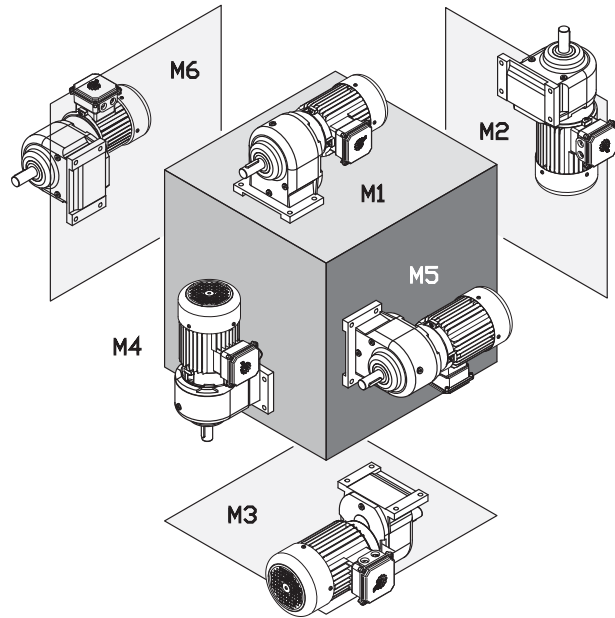
U11500 - 1 of 1

## Standard In-line footed lubrication

All Standard In-line reducers are shipped from NORD with a pre-determined oil fill level in accordance to the specified reducer size and mounting position. When filling these gear units the oil must be measured and added until one establishes the proper fill quantity. For additional information please refer to the "Oil & vent plug locations" documentation for your specified gear unit

**i** **IMPORTANT NOTE**

For mounting orientations other than shown please consult NORD Gear. Reducer modifications may be required.



Type	M1		M2		M3		M4		M5		M6	
	Quarts	Liters	Quarts	Liters	Quarts	Liters	Quarts	Liters	Quarts	Liters	Quarts	Liters
SK0 / SK05	0.14	0.13	0.23	0.22	0.14	0.13	0.23	0.22	0.14	0.13	0.14	0.13
SK000	0.25	0.24	0.42	0.40	0.25	0.24	0.42	0.40	0.25	0.24	0.25	0.24
SK01 / SK015	0.23	0.22	0.40	0.38	0.23	0.22	0.40	0.38	0.23	0.22	0.23	0.22
SK010 / SK0105	0.40	0.38	0.63	0.60	0.40	0.38	0.63	0.60	0.40	0.38	0.40	0.38
SK20 / SK205	0.58	0.55	1.06	1.00	0.58	0.55	1.06	1.00	0.58	0.55	0.58	0.55
SK200 / SK2005	0.85	0.80	1.37	1.30	0.85	0.80	1.37	1.30	0.85	0.80	0.85	0.80
SK25 / SK255	0.53	0.50	1.06	1.00	0.53	0.50	1.06	1.00	0.53	0.50	0.53	0.50
SK250 / SK2505	1.27	1.20	1.59	1.50	1.27	1.20	1.59	1.50	1.27	1.20	1.27	1.20
SK30 / SK305	0.95	0.90	1.37	1.30	0.95	0.90	1.37	1.30	0.95	0.90	0.95	0.90
SK300 / SK3005	1.27	1.20	2.11	2.00	1.27	1.20	2.11	2.00	1.27	1.20	1.27	1.20
SK33 / SK335	1.06	1.00	1.69	1.60	1.06	1.00	1.69	1.60	1.06	1.00	1.06	1.00
SK330 / SK3305	1.90	1.80	2.96	2.80	1.90	1.80	2.96	2.80	1.90	1.80	1.90	1.80



# STANDARD IN-LINE FLANGED OIL FILL QUANTITIES



DRIVESYSTEMS

RETAIN FOR FUTURE USE

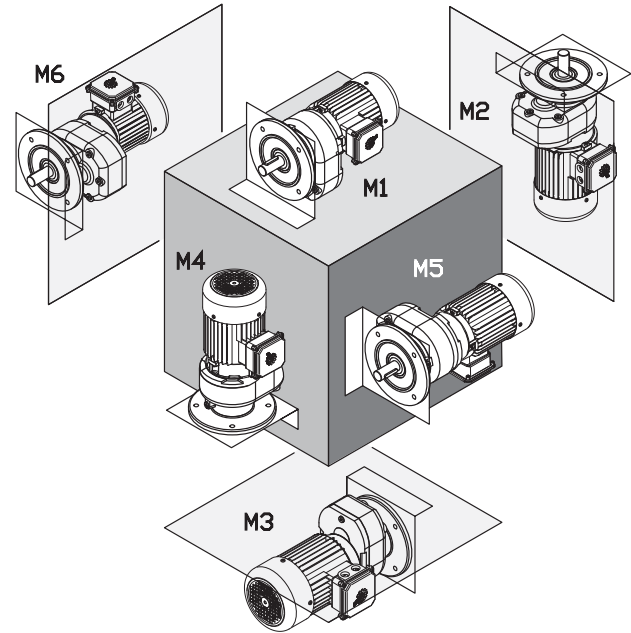
U11600 - 1 of 1

## Standard In-line flanged lubrication

All Standard In-line reducers are shipped from NORD with a pre-determined oil fill level in accordance to the specified reducer size and mounting position. When filling these gear units the oil must be measured and added until one establishes the proper fill quantity. For additional information please refer to the "Oil & vent plug locations" documentation for your specified gear unit

**i** **IMPORTANT NOTE**

For mounting orientations other than shown please consult NORD Gear. Reducer modifications may be required.



Type	M1		M2		M3		M4		M5		M6	
	Quarts	Liters	Quarts	Liters	Quarts	Liters	Quarts	Liters	Quarts	Liters	Quarts	Liters
SK0 F / SK05 F	0.14	0.13	0.23	0.22	0.14	0.13	0.23	0.22	0.14	0.13	0.14	0.13
SK000 F	0.25	0.24	0.43	0.41	0.25	0.24	0.43	0.41	0.25	0.24	0.25	0.24
SK01 F	0.23	0.22	0.40	0.38	0.23	0.22	0.40	0.38	0.23	0.22	0.23	0.22
SK010 F / SK0105 F	0.37	0.35	0.69	0.65	0.37	0.35	0.78	0.74	0.37	0.35	0.37	0.35
SK20 F	0.37	0.35	0.63	0.60	0.37	0.35	0.63	0.60	0.37	0.35	0.37	0.35
SK200 F / SK2005 F	0.69	0.65	1.00	0.95	0.69	0.65	1.16	1.10	0.69	0.65	0.69	0.65
SK25 F	0.53	0.50	1.06	1.00	0.53	0.50	1.06	1.00	0.53	0.50	0.53	0.50
SK250 F / SK2505 F	0.95	0.90	1.48	1.40	0.95	0.90	1.69	1.60	0.95	0.90	0.95	0.90
SK30 F	0.74	0.70	1.16	1.10	0.74	0.70	1.16	1.10	0.74	0.70	0.74	0.70
SK300 F / SK3005 F	1.32	1.25	1.59	1.50	1.32	1.25	1.90	1.80	1.32	1.25	1.32	1.25
SK33 F / SK335F	1.06	1.00	1.59	1.50	1.06	1.00	1.59	1.50	1.06	1.00	1.06	1.00
SK330 F / SK3305 F	1.69	1.60	2.64	2.50	1.69	1.60	3.06	2.90	1.69	1.60	1.69	1.60

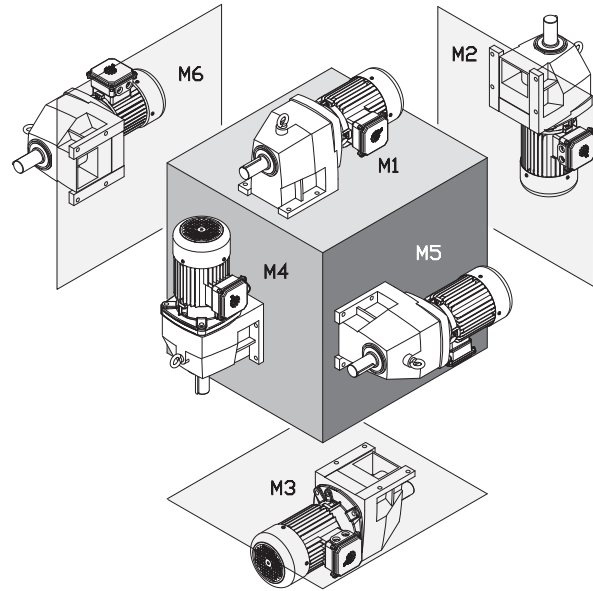


# HELICAL IN-LINE FOOTED OIL FILL QUANTITIES



## Helical In-line footed lubrication

The following NORD Gear reducers are shipped from the factory with a pre-determined oil fill level in accordance to the specified reducer size and mounting position. For additional information, please refer to the "Oil Plug & Vent Locations" documentation for your gear unit.



**i** **IMPORTANT NOTE**

Actual oil volume can vary slightly depending upon the gear case size, mounting and ratio. Prior to commissioning the reducer, check the oil-fill level using the reducer's oil level plug and drain or add additional oil as needed. The minimum acceptable oil level is 0.15 in (4mm) below the oil level hole.

For mounting orientations other than shown please consult NORD Gear. Reducer modifications may be required.

Type	M1		M2		M3		M4		M5		M6	
	Quarts	Liters	Quarts	Liters	Quarts	Liters	Quarts	Liters	Quarts	Liters	Quarts	Liters
SK02	0.21	0.20	0.79	0.75	0.79	0.75	0.69	0.65	0.63	0.60	0.63	0.60
SK 03	0.37	0.35	1.27	1.20	0.85	0.80	1.06	1.00	0.74	0.70	0.74	0.70
SK11E	0.26	0.25	0.53	0.50	0.69	0.65	0.53	0.50	0.42	0.40	0.42	0.40
SK12	0.26	0.25	0.85	0.80	0.90	0.85	0.79	0.75	0.58	0.55	0.58	0.55
SK 13	0.79	0.75	1.37	1.30	1.37	1.30	1.27	1.20	0.79	0.75	0.79	0.75
SK21E	0.63	0.60	1.27	1.20	1.37	1.30	1.06	1.00	1.06	1.00	1.06	1.00
SK22	0.53	0.50	2.01	1.90	2.22	2.10	1.90	1.80	1.48	1.40	1.48	1.40
SK 23	1.27	1.20	2.11	2.00	2.01	1.90	2.54	2.40	1.69	1.60	1.69	1.60
SK31E	1.16	1.10	2.11	2.00	2.32	2.20	1.80	1.70	1.59	1.50	1.59	1.50
SK32	0.95	0.90	2.64	2.50	3.28	3.10	3.28	3.10	2.11	2.00	2.11	2.00
SK 33N	1.85	1.75	3.17	3.00	3.59	3.40	4.23	4.00	2.43	2.30	2.43	2.30
SK41E	1.69	1.60	2.75	2.60	3.49	3.30	2.96	2.80	2.43	2.30	2.43	2.30
SK42	1.48	1.40	4.76	4.50	4.76	4.50	4.54	4.30	3.38	3.20	3.38	3.20
SK 43	3.17	3.00	5.92	5.60	5.49	5.20	6.97	6.60	3.80	3.60	3.80	3.60
SK51E	1.90	1.80	3.70	3.50	4.33	4.10	4.23	4.00	4.02	3.80	4.02	3.80
SK52	2.64	2.50	7.40	7.00	7.19	6.80	7.19	6.80	5.39	5.10	5.39	5.10
SK 53	4.76	4.50	9.19	8.70	8.14	7.70	9.19	8.70	6.34	6.00	6.34	6.00
SK62	6.87	6.50	15.9	15.0	13.7	13.0	16.9	16.0	15.9	15.0	15.9	15.0
SK 63	13.7	13.0	15.3	14.5	15.3	14.5	16.9	16.0	13.7	13.0	13.7	13.0
SK72	10.6	10.0	24.3	23.0	19.0	18.0	27.5	26.0	24.3	23.0	24.3	23.0
SK 73	21.7	20.5	21.1	20.0	23.8	22.5	28.5	27.0	21.1	20.0	21.1	20.0
SK82	14.8	14.0	37.0	35.0	28.5	27.0	46.5	44.0	33.8	32.0	33.8	32.0
SK 83	31.7	30.0	32.8	31.0	35.9	34.0	39.1	37.0	34.9	33.0	34.9	33.0
SK92	26.4	25.0	77.0	73.0	49.7	47.0	80.0	76.0	55.0	52.0	55.0	52.0
SK 93	56.0	53.0	74.0	70.0	62.0	59.0	76.0	72.0	52.0	49.0	52.0	49.0
SK102	38.0	36.0	84.0	79.0	70.0	66.0	108	102	75.0	71.0	75.0	71.0
SK 103	78.0	74.0	75.0	71.0	78.0	74.0	102	97.0	71.0	67.0	71.0	67.0

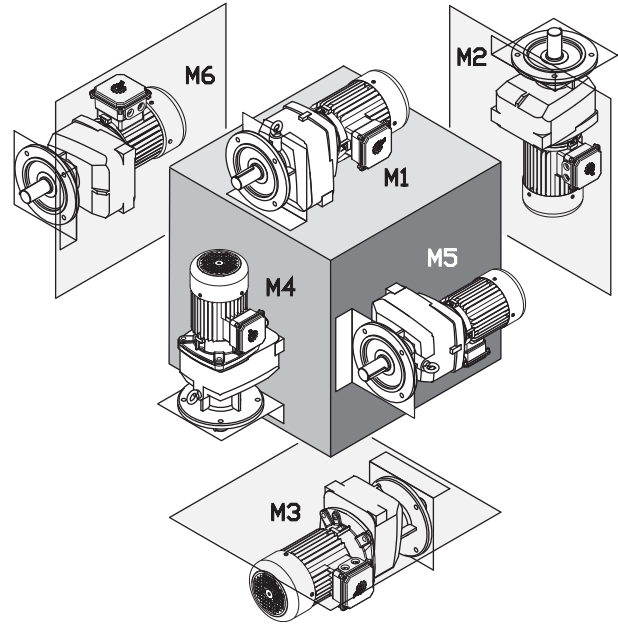


# HELICAL IN-LINE FLANGED OIL FILL QUANTITIES



## Helical In-line flanged lubrication

The following NORD Gear reducers are shipped from the factory with a pre-determined oil fill level in accordance to the specified reducer size and mounting position. For additional information, please refer to the "Oil Plug & Vent Locations" documentation for your gear unit.



**i** **IMPORTANT NOTE**

Actual oil volume can vary slightly depending upon the gear case size, mounting and ratio. Prior to commissioning the reducer, check the oil-fill level using the reducer's oil level plug and drain or add additional oil as needed. The minimum acceptable oil level is 0.15 in (4mm) below the oil level hole.

For mounting orientations other than shown please consult NORD Gear. Reducer modifications may be required.

Type	M1		M2		M3		M4		M5		M6	
	Quarts	Liters	Quarts	Liters	Quarts	Liters	Quarts	Liters	Quarts	Liters	Quarts	Liters
SK02F	0.26	0.25	0.74	0.70	0.74	0.70	0.74	0.70	0.53	0.50	0.53	0.50
SK 03 F	0.58	0.55	1.00	0.95	0.95	0.90	1.27	1.20	0.95	0.90	0.95	0.90
SK11E F	0.32	0.30	0.53	0.50	0.53	0.50	0.48	0.45	0.42	0.40	0.42	0.40
SK12F	0.37	0.35	0.90	0.85	0.95	0.90	0.95	0.90	0.74	0.70	0.74	0.70
SK 13 F	1.06	1.00	1.37	1.30	1.37	1.30	1.27	1.20	1.06	1.00	1.06	1.00
SK21E F	0.53	0.50	1.27	1.20	1.37	1.30	0.63	0.60	0.95	0.90	0.95	0.90
SK22F	0.74	0.70	1.90	1.80	1.90	1.80	1.90	1.80	1.48	1.40	1.48	1.40
SK 23 F	1.48	1.40	2.75	2.60	2.43	2.30	2.96	2.80	2.96	2.80	2.96	2.80
SK31E F	0.95	0.90	1.90	1.80	1.74	1.65	1.37	1.30	1.32	1.25	1.32	1.25
SK32F	1.27	1.20	2.96	2.80	3.28	3.10	3.28	3.10	2.32	2.20	2.32	2.20
SK 33N F	2.32	2.20	3.17	3.00	3.59	3.40	4.44	4.20	2.43	2.30	2.43	2.30
SK41E F	1.27	1.20	2.43	2.30	2.85	2.70	2.11	2.00	2.01	1.90	2.01	1.90
SK42F	1.90	1.80	4.65	4.40	4.76	4.50	4.23	4.00	3.91	3.70	3.91	3.70
SK 43 F	3.70	3.50	6.02	5.70	5.28	5.00	6.45	6.10	4.33	4.10	4.33	4.10
SK51E F	1.90	1.80	3.70	3.50	4.33	4.10	3.17	3.00	4.02	3.80	4.02	3.80
SK52F	3.17	3.00	7.19	6.80	6.55	6.20	7.82	7.40	5.92	5.60	5.92	5.60
SK 53 F	5.49	5.20	8.88	8.40	7.40	7.00	9.40	8.90	7.08	6.70	7.08	6.70
SK 62 F	7.40	7.00	15.9	15.0	14.8	14.0	19.5	18.5	16.9	16.0	16.9	16.0
SK 63 F	14.3	13.5	14.8	14.0	16.4	15.5	19.0	18.0	14.8	14.0	14.8	14.0
SK 72 F	10.6	10.0	24.3	23.0	19.5	18.5	29.6	28.0	24.3	23.0	24.3	23.0
SK 73 F	23.2	22.0	23.8	22.5	24.3	23.0	29.1	27.5	21.1	20.0	21.1	20.0
SK 82 F	15.9	15.0	39.1	37.0	30.6	29.0	47.6	45.0	36.5	34.5	36.5	34.5
SK 83 F	32.8	31.0	35.9	34.0	37.0	35.0	42.3	40.0	35.9	34.0	35.9	34.0
SK 92 F	27.5	26.0	77.0	73.0	49.7	47.0	82.0	78.0	55.0	52.0	55.0	52.0
SK 93 F	56.0	53.0	74.0	70.0	62.0	59.0	78.0	74.0	52.0	49.0	52.0	49.0
SK 102 F	42.3	40.0	86.0	81.0	70.0	66.0	110	104	76.0	72.0	76.0	72.0
SK 103 F	73.0	69.0	82.0	78.0	82.0	78.0	105	99.0	71.0	67.0	71.0	67.0





# CLINCHER™ OIL FILL QUANTITIES



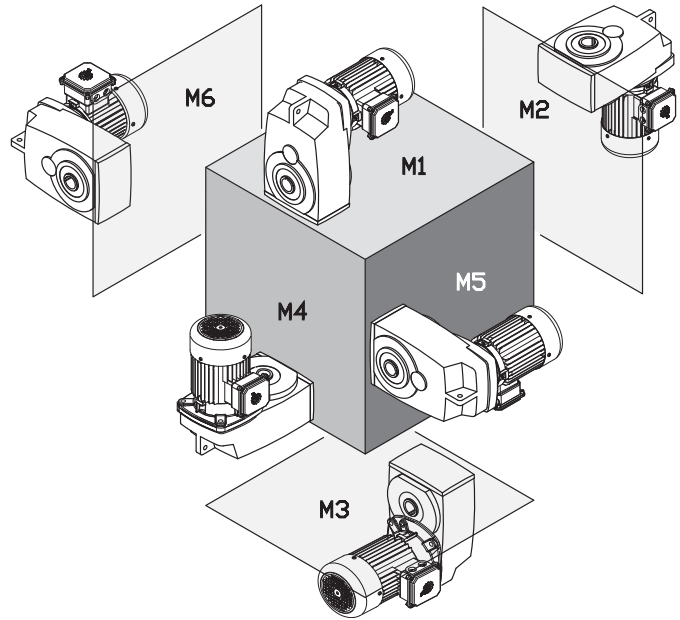
DRIVESYSTEMS

RETAIN FOR FUTURE USE

U11900 - 1 of 1

## CLINCHER™ lubrication

Unless otherwise noted below, the following NORD Gear reducers are shipped from the factory with a pre-determined oil fill level in accordance to the specified reducer size and mounting position. For additional information, please refer to the "Oil Plug & Vent Locations" documentation for your gear unit.



**IMPORTANT NOTE**

Actual oil volume can vary slightly depending upon the gear case size, mounting and ratio. Prior to commissioning the reducer, check the oil-fill level using the reducer's oil level plug and drain or add additional oil as needed. The minimum acceptable oil level is 0.15 in (4mm) below the oil level hole.

For mounting orientations other than shown please consult NORD Gear. Reducer modifications may be required.

Type	M1		M2		M3		M4		M5		M6	
	Quarts	Liters	Quarts	Liters	Quarts	Liters	Quarts	Liters	Quarts	Liters	Quarts	Liters
SK 0182NB	0.42	0.40	0.58	0.55	0.58	0.55	0.42	0.40	0.42	0.40	0.42	0.40
SK 0282NB	0.74	0.70	1.16	1.10	0.85	0.80	1.16	1.10	0.95	0.90	0.95	0.90
SK 1282	1.00	0.95	1.37	1.30	0.95	0.90	1.37	1.30	1.06	1.00	1.06	1.00
SK 1382NB	1.48	1.40	2.43	2.30	2.32	2.20	2.32	2.20	2.11	2.00	2.11	2.00
SK 1382	1.53	1.45	1.69	1.60	1.22	1.15	1.80	1.70	1.16	1.10	1.16	1.10
SK 2282	1.80	1.70	2.43	2.30	1.80	1.70	2.32	2.20	2.01	1.90	2.01	1.90
SK 2382	2.43	2.30	2.85	2.70	2.22	2.10	3.38	3.20	2.11	2.00	2.11	2.00
SK 3282	2.96	2.80	4.23	4.00	3.49	3.30	4.02	3.80	3.17	3.00	3.17	3.00
SK 3382	4.02	3.80	4.54	4.30	3.17	3.00	5.81	5.50	3.17	3.00	3.17	3.00
SK 4282	4.44	4.20	5.71	5.40	4.65	4.40	5.28	5.00	4.44	4.20	4.44	4.20
SK 4382	6.45	6.10	7.29	6.90	5.18	4.90	8.88	8.40	5.28	5.00	5.28	5.00
SK 5282	7.93	7.50	9.30	8.80	7.93	7.50	9.30	8.80	7.61	7.20	7.61	7.20
SK 5382	13.2	12.5	12.7	12.0	7.08	6.70	14.8	14.0	8.77	8.30	8.77	8.30
SK 6282	18.0	17.0	16.4	15.5	13.2	12.5	18.5	17.5	11.6	11.0	14.8	14.0
SK 6382	16.9	16.0	13.7	13.0	10.6	10.0	19.0	18.0	14.8	14.0	13.2	12.5
SK 7282	26.9	25.5	22.2	21.0	21.7	20.5	28.5	27.0	16.9	16.0	22.2	21.0
SK 7382	23.2	22.0	22.2	21.0	16.9	16.0	26.4	25.0	24.3	23.0	23.2	22.0
SK 8282	39.6	37.5	34.9	33.0	32.2	30.5	46.5	44.0	32.8	31.0	32.8	31.0
SK 8382	36.5	34.5	34.3	32.5	26.4	25.0	40.2	38.0	37.0	35.0	31.7	30.0
SK 9282	79.2	75.0	74.0	70.0	58.1	55.0	76.1 †	72.0 †	63.4	60.0	62.4	59.0
SK 9382	78.2	74.0	74.0	70.0	47.6	45.0	79.2 †	75.0 †	68.7	65.0	63.4	60.0
SK 10282	95.0	90.0	95.0	90.0	42.3	40.0	95.0 †	90.0 †	63.0	60.0	87.0	82.0
SK 10382	90.0	85.0	95.0	90.0	77.0	73.0	106 †	100 †	85	80.0	85.0	80.0
SK10382.1	80.3	76.0	84.5	80.0	75.0	71.0	98.2	93.0	76.1	72.0	70.8	67.0
SK 11282*	174	165	169	160	153	145	206 †	195 †	106	100	148	140
SK 11382*	169	160	164	155	148	140	222 †	210 †	164	155	143	135
SK11382.1*	134.2	127	140.5	133	124.7	118	205	194	131	124	118.4	112
SK 12382*	169	160	164	155	148	140	222 †	210 †	164	155	143	135

\* For shipping purposes the larger Clincher™ gear units are supplied without oil.

† Oil quantities shown are for the gearbox only. When the OT (oil tank) option is used, the oil must be filled to the level shown on the dipstick which is located inside of the oil tank. Even when the gear unit is filled by NORD, the user MUST add more oil until the oil is filled to the proper level.

**NORD Gear Limited**  
Toll Free in Canada: 800.668.4378

**NORD Gear Corporation**  
Toll Free in the United States: 888.314.6673

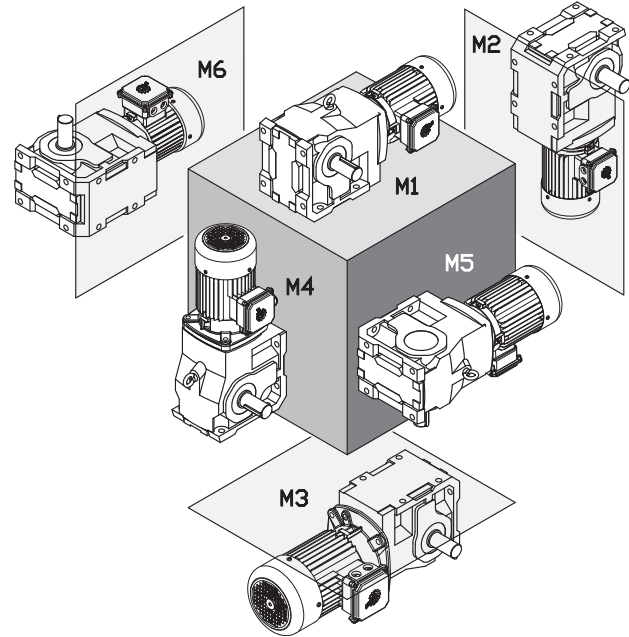


# 90.1 HELICAL-BEVEL FOOTED OIL FILL QUANTITIES



## 90.1 Helical-bevel footed lubrication

Unless otherwise noted below, the following NORD Gear reducers are shipped from the factory with a pre-determined oil fill level in accordance to the specified reducer size and mounting position. For additional information, please refer to the "Oil Plug & Vent Locations" documentation for your gear unit.



**i** **IMPORTANT NOTE**

Actual oil volume can vary slightly depending upon the gear case size, mounting and ratio. Prior to commissioning the reducer, check the oil-fill level using the reducer's oil level plug and drain or add additional oil as needed. The minimum acceptable oil level is 0.15 in (4mm) below the oil level hole.

For mounting orientations other than shown please consult NORD Gear. Reducer modifications may be required.

Type	M1		M2		M3		M4		M5		M6	
	Quarts	Liters	Quarts	Liters	Quarts	Liters	Quarts	Liters	Quarts	Liters	Quarts	Liters
SK 9012.1	0.74	0.70	1.80	1.70	2.01	1.90	2.22	2.10	1.16	1.10	1.59	1.50
SK 9013.1	1.43	1.35	2.22	2.10	2.27	2.15	2.91	2.75	1.06	1.00	1.90	1.80
SK 9016.1	0.74	0.70	1.80	1.70	2.01	1.90	2.22	2.10	1.16	1.10	1.59	1.50
SK 9017.1	1.37	1.30	2.11	2.00	2.22	2.10	2.85	2.70	1.06	1.00	1.80	1.70
SK 9022.1	1.37	1.30	3.06	2.90	3.49	3.30	4.02	3.80	1.80	1.70	2.96	2.80
SK 9023.1	2.32	2.20	3.38	3.20	3.80	3.60	4.97	4.70	2.32	2.20	3.06	2.90
SK 9032.1	1.90	1.80	5.71	5.40	6.45	6.10	7.19	6.80	3.17	3.00	4.86	4.60
SK 9033.1	3.28	3.10	6.02	5.70	6.66	6.30	8.45	8.00	3.59	3.40	5.07	4.80
SK 9042.1	2.85	2.70	9.51	9.00	10.6	10.0	11.3	10.7	5.49	5.20	8.14	7.70
SK 9043.1	5.28	5.00	10.7	10.1	11.6	11.0	14.1	13.3	6.02	5.70	8.56	8.10
SK 9052.1	6.87	6.50	16.9	16.0	20.1	19.0	22.7	21.5	11.6	11.0	16.4	15.5
SK 9053.1	10.6	10.0	18.0	17.0	21.1	20.0	25.9	24.5	12.2	11.5	17.4	16.5
SK 9062.1	10.6	10.0	29.1	27.5	33.8	32.0	38.0	36.0	19.0	18.0	25.4	24.0
SK 9072.1	10.6	10.0	29.1	27.5	33.8	32.0	38.0	36.0	19.0	18.0	25.4	24.0
SK 9082.1	18.0	17.0	54.0	52.0	66.0	63.0	76.0	72.0	34.9	33.0	49.1	46.5
SK 9086.1	30.6	29.0	77.0	73.0	90.0	85.0	108	102	51.0	48.0	66.0	62.0
SK 9092.1	43.3	41.0	166	157	180	170	182	172	85.0	80.0	95.0	90.0
SK 9096.1	74.0	70.0	198	187	205	194	268	254	115	109	161	152

Oil Levels shown apply to base models and gear units ending in LX, AX, & VX.

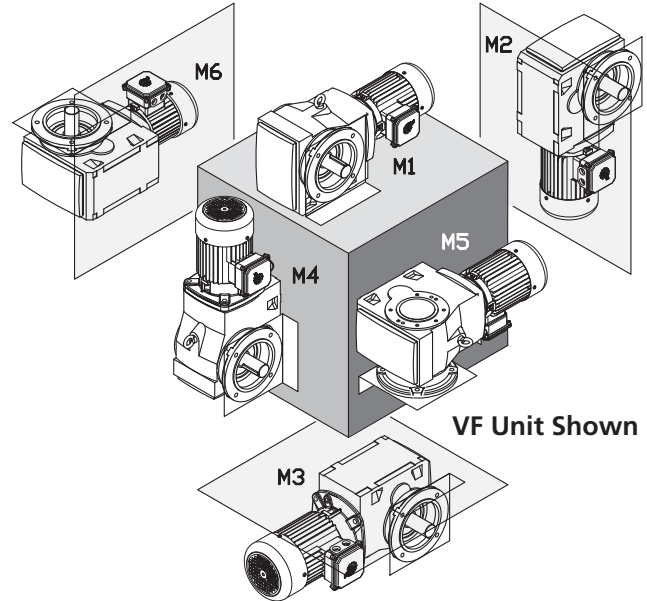


# 90.1 HELICAL-BEVEL FLANGED OIL FILL QUANTITIES



## 90.1 Helical-bevel flanged lubrication

Unless otherwise noted below, the following NORD Gear reducers are shipped from the factory with a pre-determined oil fill level in accordance to the specified reducer size and mounting position. For additional information, please refer to the "Oil Plug & Vent Locations" documentation for your gear unit.



<b>i</b>	<b>IMPORTANT NOTE</b>
<p>Actual oil volume can vary slightly depending upon the gear case size, mounting and ratio. Prior to commissioning the reducer, check the oil-fill level using the reducer's oil level plug and drain or add additional oil as needed. The minimum acceptable oil level is 0.15 in (4mm) below the oil level hole.</p> <p>For mounting orientations other than shown please consult NORD Gear. Reducer modifications may be required.</p>	

Type	M1		M2		M3		M4		M5		M6	
	Quarts	Liters	Quarts	Liters	Quarts	Liters	Quarts	Liters	Quarts	Liters	Quarts	Liters
SK 9012.1	1.06	1.00	2.01	1.90	2.01	1.90	2.32	2.20	1.27	1.20	1.80	1.70
SK 9013.1	1.53	1.45	2.43	2.30	2.22	2.10	2.96	2.80	1.11	1.05	1.90	1.80
SK 9016.1	1.06	1.00	2.01	1.90	2.01	1.90	2.32	2.20	1.27	1.20	1.80	1.70
SK 9017.1	1.53	1.45	2.43	2.30	2.22	2.10	2.96	2.80	1.11	1.05	1.90	1.80
SK 9022.1	1.69	1.60	3.70	3.50	3.70	3.50	4.44	4.20	2.43	2.30	2.96	2.80
SK 9023.1	2.43	2.30	3.70	3.50	4.02	3.80	5.60	5.30	2.32	2.20	3.59	3.40
SK 9032.1	2.22	2.10	5.07	4.80	6.76	6.40	7.50	7.10	3.49	3.30	5.39	5.10
SK 9033.1	3.91	3.70	6.02	5.70	7.08	6.70	9.09	8.60	3.80	3.60	5.60	5.30
SK 9042.1	4.76	4.50	10.6	10.0	10.6	10.0	12.2	11.5	6.87	6.50	8.66	8.20
SK 9043.1	6.87	6.50	11.1	10.5	12.6	11.9	15.5	14.7	7.08	6.70	9.83	9.30
SK 9052.1	7.93	7.50	17.4	16.5	21.1	20.0	24.8	23.5	12.2	11.5	19.0	18.0
SK 9053.1	13.7	13.0	19.0	18.0	22.7	21.5	28.0	26.5	13.7	13.0	18.0	17.0
SK 9062.1	12.7	12.0	29.1	27.5	34.9	33.0	40.7	38.5	20.1	19.0	27.5	26.0
SK 9072.1	12.7	12.0	29.1	27.5	34.9	33.0	40.7	38.5	20.1	19.0	27.5	26.0
SK 9082.1	22.2	21.0	57.0	54.0	70.0	66.0	85.0	80.0	40.2	38.0	55.0	52.0
SK 9086.1	38.0	36.0	82.0	78.0	96.0	91.0	113	107	56.0	53.0	80.0	76.0
SK 9092.1	42.3	40.0	137	130	163	154	185	175	87.0	82.0	96.0	91.0
SK 9096.1	85.0	80.0	198	187	204	193	272	257	119	113	165	156

Oil Levels shown apply to base models and gear units ending in AZ, AF, VZ, & VF.



# 92 SERIES HELICAL-BEVEL FOOTED OIL FILL QUANTITIES



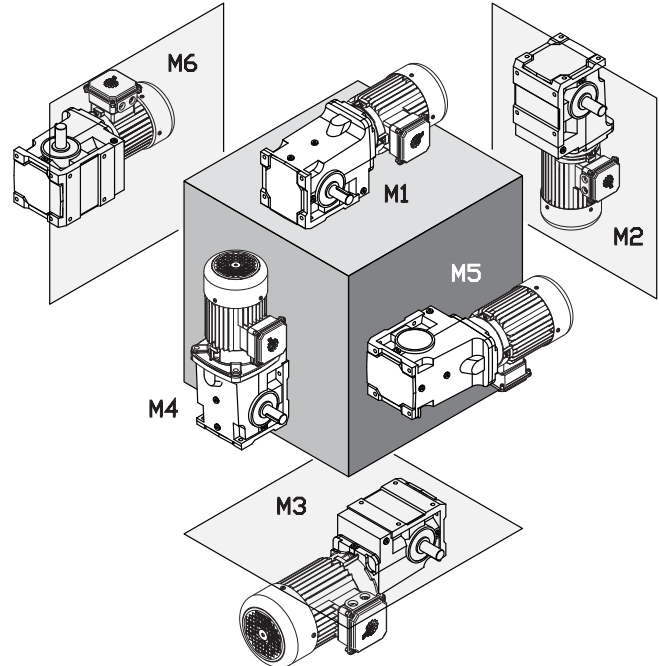
## 92 Helical-bevel footed lubrication

The following NORD Gear reducers are shipped from the factory with a pre-determined oil fill level in accordance to the specified reducer size and mounting position. For additional information, please refer to the "Oil Plug & Vent Locations" documentation for your gear unit.

**i IMPORTANT NOTE**

Actual oil volume can vary slightly depending upon the gear case size, mounting and ratio. Prior to commissioning the reducer, check the oil-fill level using the reducer's oil level plug and drain or add additional oil as needed. The minimum acceptable oil level is 0.15 in (4mm) below the oil level hole.

For mounting orientations other than shown please consult NORD Gear. Reducer modifications may be required.



Type	M1		M2		M3		M4		M5		M6	
	Quarts	Liters	Quarts	Liters	Quarts	Liters	Quarts	Liters	Quarts	Liters	Quarts	Liters
SK 92072	0.42	0.40	0.63	0.60	0.53	0.50	0.58	0.55	0.42	0.40	0.42	0.40
SK 92172	0.63	0.60	0.95	0.90	1.06	1.00	1.16	1.10	1.16	1.10	0.85	0.80
SK 92372	0.95	0.90	1.69	1.60	1.59	1.50	2.01	1.90	1.59	1.50	0.95	0.90
SK 92672	1.90	1.80	3.70	3.50	3.80	3.60	3.59	3.40	2.75	2.60	2.75	2.60
SK 92772	2.43	2.30	4.76	4.50	4.86	4.60	5.60	5.30	4.33	4.10	4.33	4.10

Oil Levels shown apply to base models and gear units ending in LX, AX, & VX.



# 92.1/93.1 SERIES HELICAL-BEVEL OIL FILL QUANTITIES



DRIVESYSTEMS

RETAIN FOR FUTURE USE

U12205 - 1 of 1

## 92.1/93.1 Helical-bevel mount lubrication

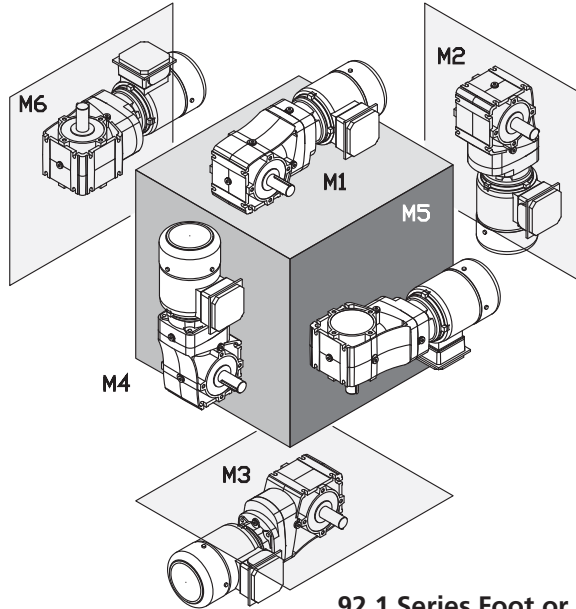
All NORD Gear reducers are shipped from the factory with a pre-determined oil fill level in accordance to the specified reducer size & mounting position. For additional information, please refer to the "Oil Plug & Vent Locations" documentation for your gear unit.



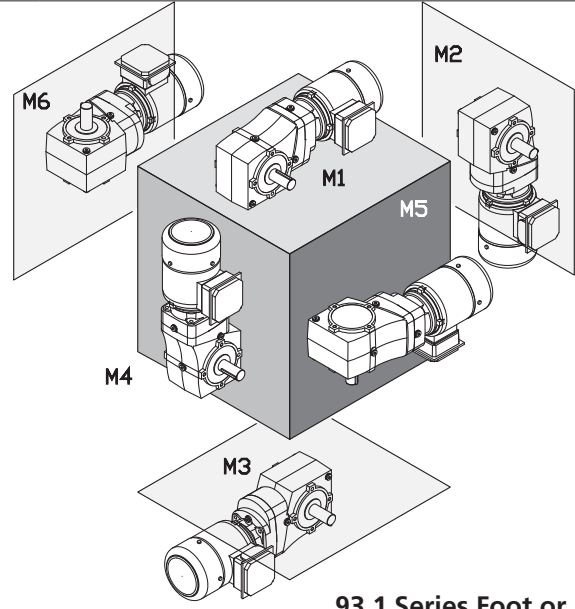
### IMPORTANT NOTE

Actual oil volume can vary slightly depending upon the gear case size, mounting and ratio. Prior to commissioning the reducer, check the oil-fill level using the reducer's oil level plug and drain or add additional oil as needed.

For mounting orientations other than shown please consult NORD Gear. Reducer modifications may be required.



92.1 Series Foot or Flange Mount



93.1 Series Foot or Flange Mount

### 92.1 Series Oil Fill

Type	M1		M2		M3		M4		M5		M6	
	Quarts	Liters	Quarts	Liters	Quarts	Liters	Quarts	Liters	Quarts	Liters	Quarts	Liters
SK 920072.1	0.22	0.21	0.50	0.47	0.22	0.36	0.22	0.34	0.22	0.28	0.22	0.28
SK 92072.1	0.28	0.26	0.52	0.49	0.44	0.42	0.57	0.54	0.31	0.29	0.33	0.31
SK 92172.1	0.36	0.34	0.65	0.61	0.55	0.52	0.71	0.67	0.44	0.42	0.51	0.48
SK 92372.1	0.45	0.43	0.97	0.92	0.77	0.73	0.88	0.83	0.58	0.55	0.65	0.61
SK 92672.1	0.90	0.85	1.69	1.60	1.27	1.20	1.59	1.50	1.08	1.02	1.08	1.02
SK 92772.1	1.37	1.30	2.80	2.65	1.97	1.86	2.85	2.70	1.69	1.60	1.69	1.60

Oil levels shown apply to all foot & flange mounted units.

### 93.1 Series Oil Fill

Type	M1		M2		M3		M4		M5		M6	
	Quarts	Liters	Quarts	Liters	Quarts	Liters	Quarts	Liters	Quarts	Liters	Quarts	Liters
SK 930072.1	0.30	0.28	0.69	0.65	0.22	0.56	0.22	0.54	0.22	0.39	0.22	0.39
SK 93072.1	0.41	0.39	0.98	0.93	0.83	0.79	1.08	1.02	0.52	0.49	0.66	0.62
SK 93172.1	0.63	0.60	1.24	1.17	0.99	0.94	1.29	1.22	0.69	0.65	0.90	0.85
SK 93372.1	1.06	1.00	2.08	1.97	1.74	1.65	2.26	2.14	1.18	1.12	1.42	1.34
SK 93672.1	1.90	1.80	3.41	3.23	2.86	2.71	4.02	3.80	2.13	2.02	2.59	2.45
SK 93772.1	2.87	2.72	4.89	4.63	3.91	3.70	6.13	5.80	3.10	2.93	3.43	3.25

Oil levels shown apply to all foot & flange mounted units.

**NORD Gear Limited**

Toll Free in Canada: 800.668.4378

**NORD Gear Corporation**

Toll Free in the United States: 888.314.6673





# 92 SERIES HELICAL-BEVEL FLANGED OIL FILL QUANTITIES



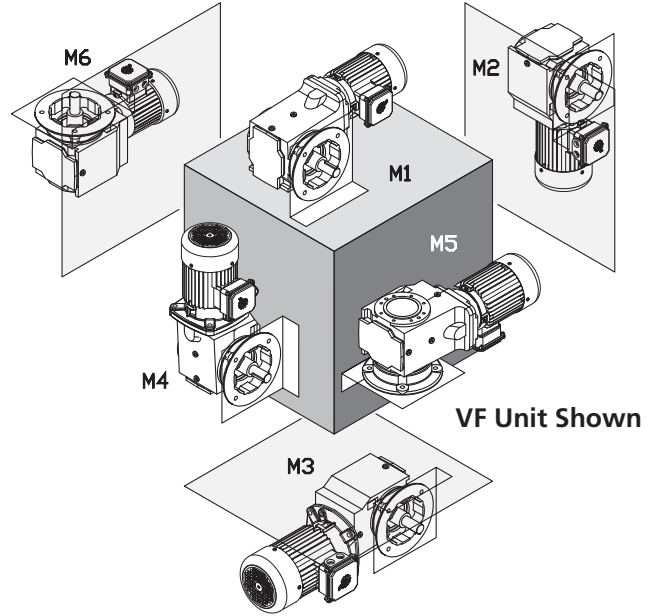
## 92 Helical-bevel flanged lubrication

The following NORD Gear reducers are shipped from the factory with a pre-determined oil fill level in accordance to the specified reducer size and mounting position. For additional information, please refer to the "Oil Plug & Vent Locations" documentation for your gear unit.

**i** **IMPORTANT NOTE**

Actual oil volume can vary slightly depending upon the gear case size, mounting and ratio. Prior to commissioning the reducer, check the oil-fill level using the reducer's oil level plug and drain or add additional oil as needed. The minimum acceptable oil level is 0.15 in (4mm) below the oil level hole.

For mounting orientations other than shown please consult NORD Gear. Reducer modifications may be required.



Type	M1		M2		M3		M4		M5		M6	
	Quarts	Liters	Quarts	Liters	Quarts	Liters	Quarts	Liters	Quarts	Liters	Quarts	Liters
SK 92072	0.42	0.40	0.63	0.60	0.58	0.55	0.58	0.55	0.42	0.40	0.42	0.40
SK 92172	0.53	0.50	1.06	1.00	0.95	0.90	1.11	1.05	0.95	0.90	0.63	0.60
SK 92372	1.27	1.20	1.69	1.60	1.59	1.50	2.01	1.90	1.37	1.30	1.37	1.30
SK 92672	1.69	1.60	2.96	2.80	2.64	2.50	3.49	3.30	2.54	2.40	2.54	2.40
SK 92772	2.96	2.80	4.65	4.40	4.76	4.50	5.81	5.50	3.70	3.50	3.70	3.50

Oil Levels shown apply to gear units ending in AZ, AF, VZ, & VF.

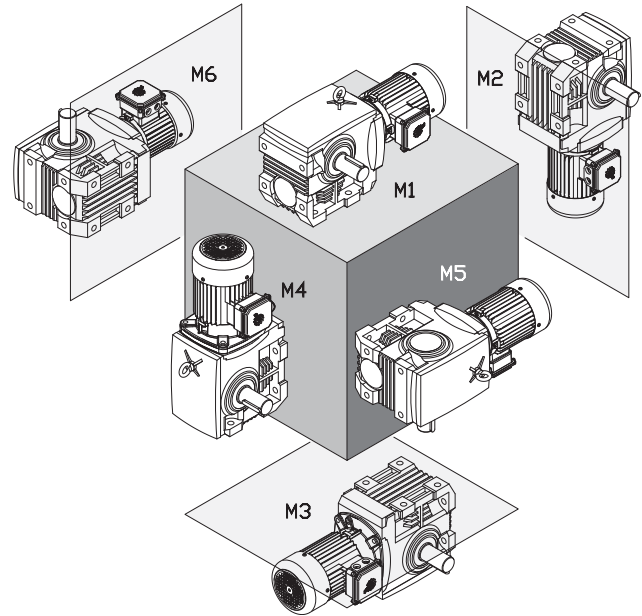


# HELICAL-WORM FOOTED OIL FILL QUANTITIES



## Helical-worm footed lubrication

The following NORD Gear reducers are shipped from the factory with a pre-determined oil fill level in accordance to the specified reducer size and mounting position. For additional information, please refer to the "Oil Plug & Vent Locations" documentation for your gear unit.



**i** **IMPORTANT NOTE**

Actual oil volume can vary slightly depending upon the gear case size, mounting and ratio. Prior to commissioning the reducer, check the oil-fill level using the reducer's oil level plug and drain or add additional oil as needed. The minimum acceptable oil level is 0.15 in (4mm) below the oil level hole.

For mounting orientations other than shown please consult NORD Gear. Reducer modifications may be required.

Type	M1		M2		M3		M4		M5		M6	
	Quarts	Liters	Quarts	Liters	Quarts	Liters	Quarts	Liters	Quarts	Liters	Quarts	Liters
SK 02040	0.42	0.40	0.85	0.80	0.79	0.75	0.69	0.65	0.53	0.50	0.53	0.50
SK 02040.1	0.13	0.12	0.48	0.45	0.31	0.29	0.41	0.39	0.30	0.28	0.30	0.28
SK 02050	0.42	0.40	1.48	1.40	1.16	1.10	1.37	1.30	0.74	0.70	0.74	0.70
SK 13050	0.79	0.75	1.85	1.75	1.37	1.30	1.85	1.75	0.79	0.75	0.79	0.75
SK 12063	0.63	0.60	1.90	1.80	1.27	1.20	1.69	1.60	1.06	1.00	1.06	1.00
SK 13063	1.06	1.00	2.43	2.30	1.59	1.50	2.32	2.20	1.16	1.10	1.16	1.10
SK 12080	0.95	0.90	3.28	3.10	2.54	2.40	3.17	3.00	1.90	1.80	1.90	1.80
SK 13080	1.80	1.70	3.70	3.50	3.70	3.50	3.70	3.50	2.11	2.00	2.11	2.00
SK 32100	1.59	1.50	6.66	6.30	5.92	5.60	5.81	5.50	3.80	3.60	3.80	3.60
SK 33100	2.54	2.40	6.76	6.40	5.71	5.40	6.87	6.50	3.59	3.40	3.59	3.40
SK 42125	2.96	2.80	12.5	11.8	10.8	10.2	10.6	10.0	6.55	6.20	6.55	6.20
SK 43125	4.49	4.25	13.7	13.0	11.1	10.5	14.3	13.5	7.61	7.20	7.61	7.20

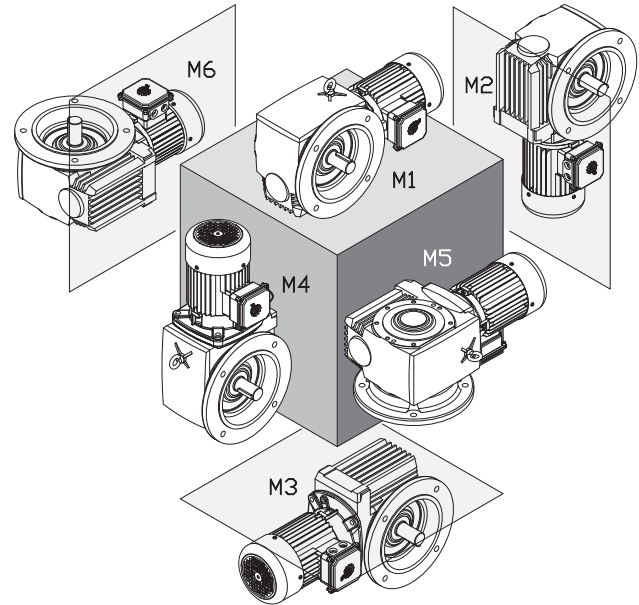


# HELICAL-WORM SOLID SHAFT/FLANGED OIL FILL QUANTITIES



## Helical-worm solid shaft/flanged lubrication

The following NORD Gear reducers are shipped from the factory with a pre-determined oil fill level in accordance to the specified reducer size and mounting position. For additional information, please refer to the "Oil Plug & Vent Locations" documentation for your gear unit.



<b>i</b>	<b>IMPORTANT NOTE</b>
<p>Actual oil volume can vary slightly depending upon the gear case size, mounting and ratio. Prior to commissioning the reducer, check the oil-fill level using the reducer's oil level plug and drain or add additional oil as needed. The minimum acceptable oil level is 0.15 in (4mm) below the oil level hole.</p> <p>For mounting orientations other than shown please consult NORD Gear. Reducer modifications may be required.</p>	

Type	M1		M2		M3		M4		M5		M6	
	Quarts	Liters	Quarts	Liters	Quarts	Liters	Quarts	Liters	Quarts	Liters	Quarts	Liters
SK 02040 VF	0.53	0.50	0.85	0.80	0.79	0.75	0.63	0.60	0.53	0.50	0.53	0.50
SK 02040.1	0.13	0.12	0.48	0.45	0.31	0.29	0.41	0.39	0.30	0.28	0.30	0.28
SK 02050 VF	0.42	0.40	1.59	1.50	1.32	1.25	1.27	1.20	0.95	0.90	0.79	0.75
SK 13050 VF	0.79	0.75	1.90	1.80	1.59	1.50	1.80	1.70	1.11	1.05	0.95	0.90
SK 12063 VF	0.53	0.50	2.06	1.95	1.80	1.70	1.85	1.75	1.27	1.20	1.00	0.95
SK 13063 VF	1.06	1.00	2.43	2.30	2.01	1.90	2.32	2.20	1.43	1.35	1.16	1.10
SK 12080 VF	0.95	0.90	3.91	3.70	3.38	3.20	3.59	3.40	2.64	2.50	2.43	2.30
SK 13080 VF	1.69	1.60	4.02	3.80	3.70	3.50	4.12	3.90	2.85	2.70	2.64	2.50
SK 32100 VF	1.48	1.40	6.66	6.30	6.45	6.10	6.45	6.10	4.23	4.00	3.80	3.60
SK 33100 VF	2.80	2.65	7.61	7.20	6.76	6.40	8.03	7.60	4.54	4.30	4.02	3.80
SK 42125 VF	3.17	3.00	12.2	11.5	12.2	11.5	11.6	11.0	8.88	8.40	7.71	7.30
SK 43125 VF	4.97	4.70	15.9	15.0	13.7	13.0	16.9	16.0	9.51	9.00	8.14	7.70



# HELICAL-WORM HOLLOW SHAFT OIL FILL QUANTITIES



DRIVESYSTEMS

RETAIN FOR FUTURE USE

U12600 - 1 of 1

## Helical-worm hollow shaft lubrication

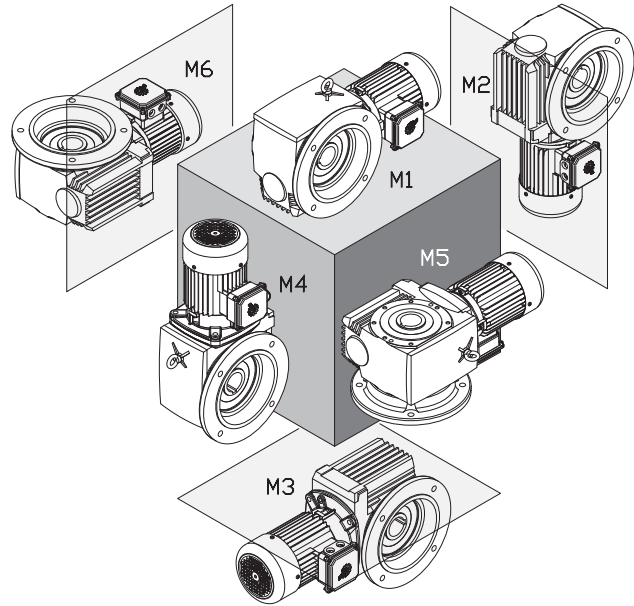
The following NORD Gear reducers are shipped from the factory with a pre-determined oil fill level in accordance to the specified reducer size and mounting position. For additional information, please refer to the "Oil Plug & Vent Locations" documentation for your gear unit.



### IMPORTANT NOTE

Actual oil volume can vary slightly depending upon the gear case size, mounting and ratio. Prior to commissioning the reducer, check the oil fill level using the reducer's oil level plug and drain or add additional oil as needed. The minimum acceptable oil level is 0.15 in (4mm) below the oil level hole.

For mounting orientations other than shown please consult NORD Gear. Reducer modifications may be required.



AF Unit Shown

Type	M1		M2		M3		M4		M5		M6	
	Quarts	Liters	Quarts	Liters	Quarts	Liters	Quarts	Liters	Quarts	Liters	Quarts	Liters
SK 02040	0.42	0.40	0.74	0.70	0.69	0.65	0.69	0.65	0.58	0.55	0.58	0.55
SK 02040.1	0.13	0.12	0.48	0.45	0.31	0.29	0.41	0.39	0.30	0.28	0.30	0.28
SK 02050	0.48	0.45	1.48	1.40	1.22	1.15	1.16	1.10	0.79	0.75	0.79	0.75
SK 13050	0.95	0.90	1.90	1.80	1.37	1.30	1.74	1.65	1.37	1.30	1.37	1.30
SK 12063	0.58	0.55	1.53	1.45	1.69	1.60	1.69	1.60	1.16	1.10	1.16	1.10
SK 13063	1.11	1.05	2.22	2.10	1.90	1.80	2.22	2.10	1.48	1.40	1.48	1.40
SK 12080	0.85	0.80	3.28	3.10	3.38	3.20	2.96	2.80	1.90	1.80	1.90	1.80
SK 13080	1.69	1.60	3.80	3.60	3.06	2.90	3.96	3.75	2.11	2.00	2.11	2.00
SK 32100	1.59	1.50	5.92	5.60	5.92	5.60	5.60	5.30	4.23	4.00	4.23	4.00
SK 33100	2.75	2.60	6.34	6.00	6.13	5.80	6.34	6.00	3.70	3.50	3.70	3.50
SK 42125	3.17	3.00	13.2	12.5	11.4	10.8	11.4	10.8	6.87	6.50	6.87	6.50
SK 43125	4.86	4.60	14.4	13.6	12.0	11.4	15.1	14.3	8.03	7.60	8.03	7.60

Oil Levels shown apply to gear units ending in AZ, AF.

**NORD Drivesystems**

Línea gratuita en Mexico: 800.836.9192

**NORD Gear Corporation**

Línea gratuita en Estados Unidos: 888.314.6673

07.11.18

[www.nord.com/docs](http://www.nord.com/docs)



# NORDBLOC® FOOTED OIL FILL QUANTITIES



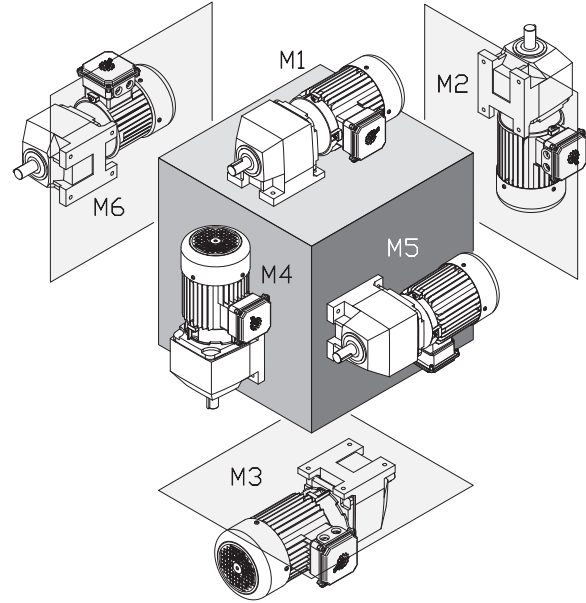
DRIVESYSTEMS

RETAIN FOR FUTURE USE

U12700 - 1 of 1

## NORDBLOC® footed lubrication

The following NORD Gear reducers are shipped from the factory with a pre-determined oil fill level in accordance to the specified reducer size and mounting position. For additional information, please refer to the "Oil Plug & Vent Locations" documentation for your gear unit.



### IMPORTANT NOTE

Actual oil volume can vary slightly depending upon the gear case size, mounting and ratio. Prior to commissioning the reducer, check the oil-fill level using the reducer's oil level plug and drain or add additional oil as needed. The minimum acceptable oil level is 0.15 in (4mm) below the oil level hole.

For mounting orientations other than shown please consult NORD Gear. Reducer modifications may be required.

Type	M1		M2		M3		M4		M5		M6	
	Quarts	Liters	Quarts	Liters	Quarts	Liters	Quarts	Liters	Quarts	Liters	Quarts	Liters
SK 172	0.37	0.35	0.53	0.50	0.53	0.50	0.53	0.50	0.53	0.50	0.53	0.50
SK 272	0.63	0.60	1.06	1.00	1.06	1.00	1.06	1.00	1.06	1.00	1.06	1.00
SK 273	0.66	0.62	1.16	1.10	1.16	1.10	1.16	1.10	1.16	1.10	1.16	1.10
SK 372	0.63	0.60	1.06	1.00	1.06	1.00	1.06	1.00	1.06	1.00	1.06	1.00
SK 373	0.58	0.55	1.16	1.10	1.16	1.10	1.16	1.10	1.16	1.10	1.16	1.10
SK 472	1.06	1.00	2.01	1.90	2.01	1.90	2.11	2.00	1.90	1.80	1.90	1.80
SK 473	1.37	1.30	2.64	2.50	2.22	2.10	2.54	2.40	2.22	2.10	2.22	2.10
SK 572	1.06	1.00	2.01	1.90	2.01	1.90	2.11	2.00	1.90	1.80	1.90	1.80
SK 573	1.37	1.30	2.64	2.50	2.22	2.10	2.54	2.40	2.22	2.10	2.22	2.10
SK 672	1.48	1.40	3.59	3.40	3.28	3.10	3.33	3.15	1.53	1.45	3.33	3.15
SK 673	1.90	1.80	4.02	3.80	3.38	3.20	3.59	3.40	3.06	2.90	3.17	3.00
SK 772	2.11	2.00	3.49	3.30	3.70	3.50	4.44	4.20	2.85	2.70	3.49	3.30
SK 773	2.64	2.50	4.76	4.50	3.91	3.70	4.86	4.60	3.49	3.30	3.49	3.30
SK 872	3.91	3.70	10.1	9.60	9.62	9.10	7.71	7.30	4.97	4.70	8.45	8.00
SK 873	6.55	6.20	8.88	8.40	7.93	7.50	9.62	9.10	7.93	7.50	7.93	7.50
SK 972	6.87	6.50	16.9	16.0	16.6	15.7	15.5	14.7	8.98	8.50	14.8	14.0
SK 973	11.6	11.0	16.7	15.8	13.7	13.0	16.9	16.0	14.1	13.3	13.7	13.0





# NORDBLOC® FLANGED OIL FILL QUANTITIES



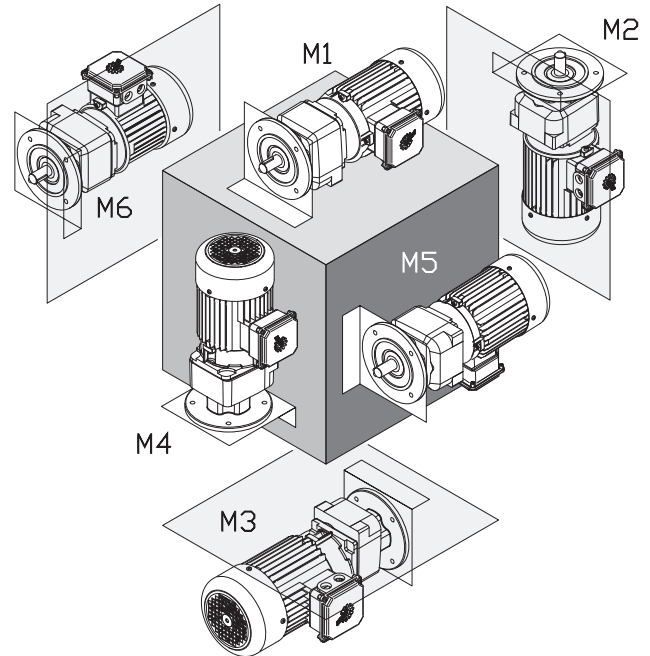
DRIVESYSTEMS

RETAIN FOR FUTURE USE

U12800 - 1 of 1

## NORDBLOC® flanged lubrication

The following NORD Gear reducers are shipped from the factory with a pre-determined oil fill level in accordance to the specified reducer size and mounting position. For additional information, please refer to the "Oil Plug & Vent Locations" documentation for your gear unit.



### IMPORTANT NOTE

Actual oil volume can vary slightly depending upon the gear case size, mounting and ratio. Prior to commissioning the reducer, check the oil-fill level using the reducer's oil level plug and drain or add additional oil as needed. The minimum acceptable oil level is 0.15 in (4mm) below the oil level hole.

For mounting orientations other than shown please consult NORD Gear. Reducer modifications may be required.

Mounting Position	M1		M2		M3		M4		M5		M6	
	Quarts	Liters	Quarts	Liters	Quarts	Liters	Quarts	Liters	Quarts	Liters	Quarts	Liters
SK 172 F	0.37	0.35	0.53	0.50	0.53	0.50	0.53	0.50	0.53	0.50	0.53	0.50
SK 272 F	0.63	0.60	1.06	1.00	1.06	1.00	1.06	1.00	1.06	1.00	1.06	1.00
SK 273 F	0.66	0.62	1.16	1.10	1.16	1.10	1.16	1.10	1.16	1.10	1.16	1.10
SK 372 F	0.63	0.60	1.06	1.00	1.06	1.00	1.06	1.00	1.06	1.00	1.06	1.00
SK 373 F	0.58	0.55	1.16	1.10	1.16	1.10	1.16	1.10	1.16	1.10	1.16	1.10
SK 472 F	1.06	1.00	2.01	1.90	2.01	1.90	2.01	1.90	2.01	1.90	1.59	1.50
SK 473 F	1.32	1.25	2.54	2.40	2.22	2.10	2.64	2.50	2.22	2.10	2.22	2.10
SK 572 F	1.06	1.00	2.01	1.90	2.01	1.90	2.01	1.90	2.01	1.90	1.59	1.50
SK 573 F	1.32	1.25	2.54	2.40	2.22	2.10	2.64	2.50	2.22	2.10	2.22	2.10
SK 672 F	1.22	1.15	3.59	3.40	2.85	2.70	2.96	2.80	1.32	1.25	2.85	2.70
SK 673 F	1.80	1.70	4.02	3.80	3.17	3.00	3.38	3.20	3.17	3.00	3.17	3.00
SK 772 F	1.69	1.60	3.49	3.30	3.70	3.50	3.49	3.30	3.28	3.10	3.28	3.10
SK 773 F	2.43	2.30	5.28	5.00	3.80	3.60	4.76	4.50	4.12	3.90	4.12	3.90
SK 872 F	3.70	3.50	9.51	9.00	8.35	7.90	8.14	7.70	4.12	3.90	7.61	7.20
SK 873 F	5.28	5.00	9.30	8.80	8.03	7.60	8.45	8.00	8.45	8.00	8.45	8.00
SK 972 F	6.87	6.50	15.9	15.0	13.7	13.0	14.3	13.5	6.87	6.50	12.7	12.0
SK 973 F	10.9	10.3	17.4	16.5	13.7	13.0	16.9	16.0	14.8	14.0	14.8	14.0

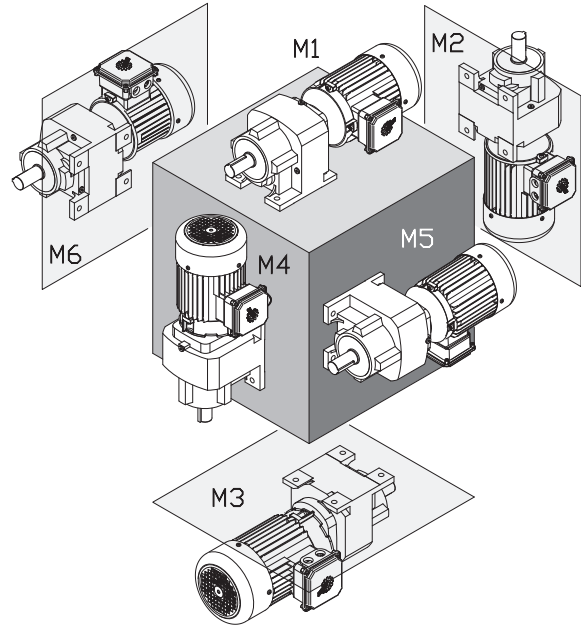


# NORDBLOC®.1 FOOTED OIL FILL QUANTITIES



## NORDBLOC®.1 Fill Quantities (Footed)

The following NORD Gear reducers are shipped from the factory with a pre-determined oil fill level in accordance to the specified reducer size and mounting position. For oil plug & vent locations please see U14700.



**IMPORTANT NOTE**

Actual oil volume can vary slightly depending upon the gear case size, mounting and ratio. Prior to commissioning the reducer, check the oil-fill level using the reducer's oil level plug and drain or add additional oil as needed. The correct oil level should be located at the lower edge of the oil level hole.

For mounting orientations other than shown please consult NORD Gear. Reducer modifications may be required.

Type	M1		M2		M3		M4		M5		M6	
	Quarts	Liters	Quarts	Liters	Quarts	Liters	Quarts	Liters	Quarts	Liters	Quarts	Liters
SK 071.1	0.19	0.18	0.42	0.40	0.40	0.38	0.42	0.40	0.32	0.30	0.32	0.30
SK 072.1	0.17	0.16	0.34	0.32	0.22	0.21	0.24	0.23	0.19	0.18	0.21	0.20
SK 171.1	0.23	0.22	0.42	0.40	0.38	0.36	0.42	0.40	0.35	0.33	0.35	0.33
SK 172.1	0.29	0.27	0.62	0.59	0.44	0.42	0.48	0.45	0.34	0.32	0.41	0.39
SK 371.1	0.37	0.35	0.61	0.58	0.58	0.55	0.61	0.58	0.52	0.49	0.52	0.49
SK 372.1	0.48	0.45	1.10	1.05	0.79	0.75	1.10	1.00	0.63	0.60	0.69	0.65
SK 373.1	0.48	0.45	1.10	1.05	0.79	0.75	1.10	1.00	0.63	0.60	0.69	0.65
SK 571.1	0.51	0.48	0.91	0.86	0.85	0.80	0.97	0.92	0.72	0.68	0.72	0.68
SK 572.1	0.79	0.75	2.00	1.90	1.60	1.50	2.10	2.00	1.20	1.10	1.20	1.15
SK 573.1	0.79	0.75	2.00	1.90	1.60	1.50	2.10	2.00	1.20	1.10	1.20	1.15
SK 672.1	1.20	1.10	2.70	2.60	2.30	2.15	2.90	2.70	1.60	1.55	1.70	1.65
SK 673.1	1.20	1.10	2.70	2.60	2.30	2.15	2.90	2.70	1.60	1.55	1.70	1.65
SK 771.1	0.95	0.90	1.60	1.50	1.30	1.20	1.80	1.70	1.20	1.16	1.20	1.16
SK 772.1	1.40	1.30	4.00	3.80	2.50	2.40	3.40	3.20	1.70	1.60	2.60	2.50
SK 772.1 VL	2.10	2.00	4.00	3.80	2.50	2.40	3.40	3.20	1.70	1.60	2.60	2.50
SK 773.1	2.40	2.30	4.00	3.80	3.50	3.30	3.40	3.20	2.50	2.40	3.30	3.10
SK 773.1 VL	2.40	2.30	4.00	3.80	3.50	3.30	3.40	3.20	2.50	2.40	3.30	3.10
SK 871.1	1.59	1.5	3.38	3.2	3.38	3.2	2.75	2.6	2.43	2.3	2.43	2.3
SK 872.1	3.10	2.90	8.20	7.80	4.90	4.60	6.80	6.40	2.60	2.50	4.20	4.00
SK 872.1 VL	5.30	5.00	8.20	7.80	4.90	4.60	6.80	6.40	2.60	2.50	4.20	4.00
SK 873.1	4.40	4.20	8.20	7.80	6.20	5.90	6.80	6.40	4.30	4.10	6.20	5.90
SK 873.1 VL	4.40	4.20	8.20	7.80	6.20	5.90	6.80	6.40	4.30	4.10	6.20	5.90
SK 971.1	2.01	1.9	4.12	3.9	4.12	3.9	3.59	3.4	3.28	3.1	3.28	3.1
SK 972.1	4.80	4.50	13.00	12.00	7.90	7.50	12.00	11.50	4.40	4.20	7.90	7.50
SK 972.1 VL	9.00	8.50	13.00	12.00	7.90	7.50	12.00	11.50	4.40	4.20	7.90	7.50
SK 973.1	7.90	7.50	13.00	12.00	11.00	10.50	12.00	11.50	7.90	7.50	11.00	10.50
SK 973.1 VL	7.90	7.50	13.00	12.00	11.00	10.50	12.00	11.50	7.90	7.50	11.00	10.50
SK 1071.1	3.49	3.3	7.82	7.4	7.82	7.4	7.08	6.7	5.6	5.3	5.6	5.3



# NORDBLOC®.1 FLANGED OIL FILL QUANTITIES



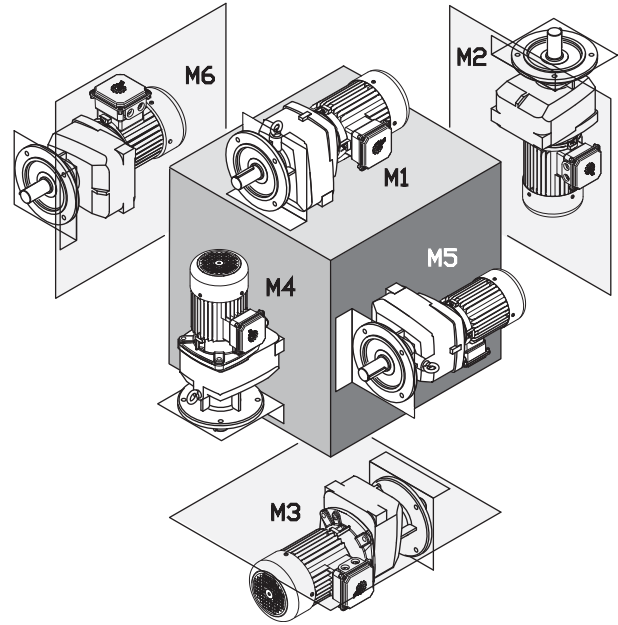
DRIVESYSTEMS

RETAIN FOR FUTURE USE

U13000 - 1 of 1

## NORDBLOC®.1 Fill Quantities (Flanged)

The following NORD Gear reducers are shipped from the factory with a pre-determined oil fill level in accordance to the specified reducer size and mounting position. For additional information, please refer to the "Oil Plug & Vent Locations" documentation for your gear unit.



### IMPORTANT NOTE

Actual oil volume can vary slightly depending upon the gear case size, mounting and ratio. Prior to commissioning the reducer, check the oil-fill level using the reducer's oil level plug and drain or add additional oil as needed. The correct oil level should be located at the lower edge of the oil level hole.

For mounting orientations other than shown please consult NORD Gear. Reducer modifications may be required.

Type	M1		M2		M3		M4		M5		M6	
	Quarts	Liters	Quarts	Liters	Quarts	Liters	Quarts	Liters	Quarts	Liters	Quarts	Liters
SK 071.1 F	0.19	0.18	0.42	0.40	0.40	0.38	0.42	0.40	0.32	0.30	0.32	0.30
SK 072.1 F	0.17	0.16	0.34	0.32	0.22	0.21	0.24	0.23	0.19	0.18	0.21	0.20
SK 171.1 F	0.23	0.22	0.42	0.40	0.38	0.36	0.42	0.40	0.35	0.33	0.35	0.33
SK 172.1 F	0.29	0.27	0.62	0.59	0.44	0.42	0.48	0.45	0.34	0.32	0.41	0.39
SK 371.1 F	0.37	0.35	0.61	0.58	0.58	0.55	0.61	0.58	0.52	0.49	0.52	0.49
SK 372.1 F	0.48	0.45	1.10	1.05	0.79	0.75	1.10	1.00	0.63	0.60	0.69	0.65
SK 373.1 F	0.48	0.45	1.10	1.05	0.79	0.75	1.10	1.00	0.63	0.60	0.69	0.65
SK 571.1 F	0.51	0.48	0.91	0.86	0.85	0.80	0.97	0.92	0.72	0.68	0.72	0.68
SK 572.1 F	0.79	0.75	2.00	1.90	1.60	1.50	2.10	2.00	1.20	1.10	1.20	1.15
SK 573.1 F	0.79	0.75	2.00	1.90	1.60	1.50	2.10	2.00	1.20	1.10	1.20	1.15
SK 672.1 F	1.20	1.10	2.70	2.60	2.30	2.15	2.90	2.70	1.60	1.55	1.70	1.65
SK 673.1 F	1.20	1.10	2.70	2.60	2.30	2.15	2.90	2.70	1.60	1.55	1.70	1.65
SK 771.1 F	0.95	0.90	1.60	1.50	1.30	1.20	1.80	1.70	1.20	1.16	1.20	1.16
SK 772.1 F	1.40	1.30	4.00	3.80	2.50	2.40	3.50	3.30	1.80	1.70	2.50	2.40
SK 772.1 VL F	2.10	2.00	4.00	3.80	2.50	2.40	3.50	3.30	1.80	1.70	2.50	2.40
SK 773.1 F	2.10	2.00	3.70	3.50	3.40	3.20	3.10	2.90	2.40	2.30	3.20	3.00
SK 773.1 VL F	2.10	2.00	3.70	3.50	3.40	3.20	3.10	2.90	2.40	2.30	3.20	3.00
SK 871.1 F	1.59	1.5	3.38	3.2	3.38	3.2	2.75	2.6	2.43	2.3	2.43	2.3
SK 872.1 F	3.40	3.20	7.90	7.50	5.40	5.10	7.10	6.70	2.70	2.60	4.50	4.30
SK 872.1 VL F	5.30	5.00	7.90	7.50	5.40	5.10	7.10	6.70	2.70	2.60	4.50	4.30
SK 873.1 F	4.30	4.10	8.00	7.60	7.30	6.90	7.00	6.60	5.30	5.00	7.00	6.60
SK 873.1 VL F	4.30	4.10	8.00	7.60	7.30	6.90	7.00	6.60	5.30	5.00	7.00	6.60
SK 971.1 F	2.01	1.9	4.12	3.9	4.12	3.9	3.59	3.4	3.28	3.1	3.28	3.1
SK 972.1 F	4.80	4.50	13.00	12.50	8.50	8.00	13.00	12.50	4.80	4.50	8.10	7.70
SK 972.1 VL F	9.00	8.50	13.00	12.50	8.50	8.00	13.00	12.50	4.80	4.50	8.10	7.70
SK 973.1 F	7.80	7.40	13.00	12.20	12.00	11.10	12.00	11.60	8.50	8.00	12.00	10.90
SK 973.1 VL F	7.80	7.40	13.00	12.20	12.00	11.10	12.00	11.60	8.50	8.00	12.00	10.90
SK 1071.1 F	3.49	3.3	7.82	7.4	7.82	7.4	7.08	6.7	5.6	5.3	5.6	5.3

**NORD Gear Limited**

Toll Free in Canada: 800.668.4378

**NORD Gear Corporation**

Toll Free in the United States: 888.314.6673



# MINICASE® (SM SERIES) WORM GEAR OIL FILL QUANTITIES - FOOT HOUSING



DRIVESYSTEMS

RETAIN FOR FUTURE USE

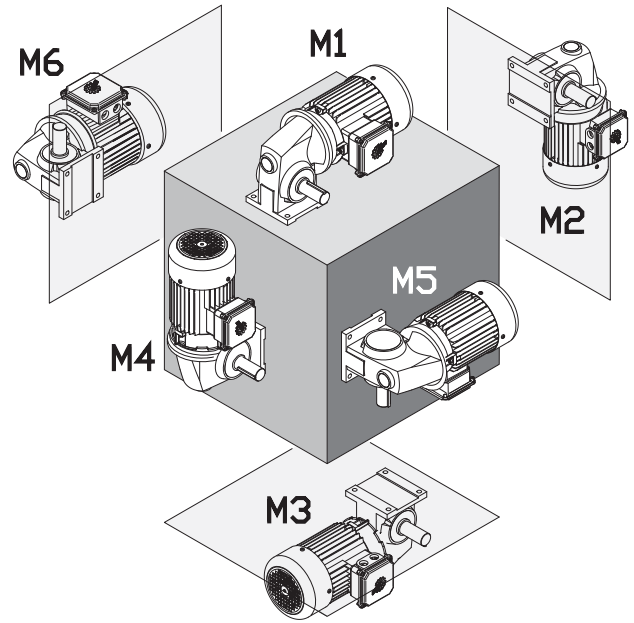
U13100 - 1 of 1

## MINICASE® (SM Series) Lubrication

NORD MINICASE® (SM Series) worm gear reducers and worm gearmotors are inherently maintenance free, factory oil filled, and supplied with a high quality, long life synthetic gear oil intended to be suitable for the life of the product. These gear units are also supplied without oil service plugs or vents.

## Related User Manuals

U10790 MINICASE® (SM Series) Worm – Lubrication Guidelines.  
U11040 MINICASE® (SM Series) Worm – Lubrication Types.



<b>i</b>	<b>IMPORTANT NOTE</b>
For mounting orientations other than shown please consult NORD Gear. Reducer modifications may be required.	

Type	M1		M2		M3		M4		M5		M6	
	oz	ml	oz	ml	oz	ml	oz	ml	oz	ml	oz	ml
SK 15M31	4.1	120	4.1	120	4.1	120	4.1	120	4.1	120	4.1	120
SK 15M40	7.4	220	7.4	220	7.4	220	7.4	220	7.4	220	7.4	220
SK 25M40	11.2	330	11.2	330	11.2	330	12.2	360	11.2	330	11.2	330
SK 15M50	8.5	250	8.5	250	8.5	250	8.5	250	8.5	250	8.5	250
SK 25M50	11.8	350	11.8	350	11.8	350	14.2	420	11.8	350	11.8	350
SK 15M63	14.2	420	14.2	420	14.2	420	14.2	420	14.2	420	14.2	420
SK 25M63	17.9	530	17.9	530	17.9	530	21.3	630	17.9	530	17.9	530

Oil levels shown apply to any foot-mount gear housings including those ending with no suffix or ending with LX or AX.



# MINICASE® (SMI/SMID) WORM GEAR OIL FILL QUANTITIES - FOOT HOUSING



DRIVESYSTEMS

RETAIN FOR FUTURE USE

U13150 - 1 of 1

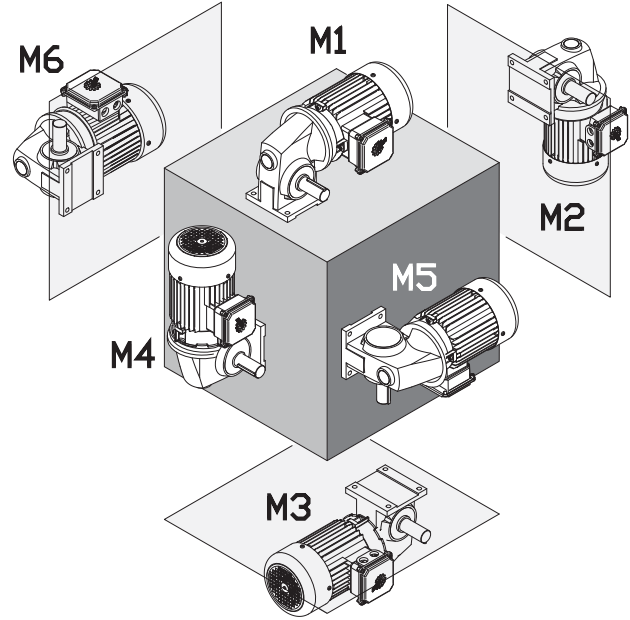
## MINICASE® (SMI/SMID Series) Lubrication

NORD MINICASE® (SMI/SMID Series) worm gear reducers and worm gearmotors are inherently maintenance free, factory oil filled, and supplied with a high quality, long life synthetic gear oil intended to be suitable for the life of the product. For lubrication types see user manual U11050.

NORD MINICASE® (SMI/SMID Series) worm gear reducers and worm gearmotors are equipped with oil plugs. Venting the gear unit is optional as discussed in user manual U14750.

## Related User Manuals

- U10800 - MINICASE® (SMI/SMID Series) Worm – Lubrication Guidelines.
- U11050 - MINICASE® (SMI/SMID Series) Worm – Lubrication Types
- U14750 - MINICASE® (SMI/SMID Series) Worm – Oil Plug Locations



<b>i</b>	<b>IMPORTANT NOTE</b>
For mounting orientations other than shown please consult NORD Gear. Reducer modifications may be required.	

## MINICASE® (SMI Series) Gear Reducer Oil Fill - Foot Housing

Type	M1		M2		M3		M4		M5		M6	
	oz	ml	oz	ml	oz	ml	oz	ml	oz	ml	oz	ml
SK 1SMI31	1.5	45	1.5	45	1.5	45	1.5	45	1.5	45	1.5	45
SK 1SMI40	2.7	80	2.7	80	2.7	80	2.7	80	2.7	80	2.7	80
SK 1SMI50	4.4	130	4.4	130	4.4	130	4.4	130	4.4	130	4.4	130
SK 1SMI63	9.1	270	9.1	270	9.1	270	9.1	270	9.1	270	9.1	270
SK 1SMI75	14.2	420	14.2	420	14.2	420	14.2	420	14.2	420	14.2	420

Oil fill level is universal and independent of mounting position  
 Oil levels shown apply to any foot-mount gear housings including those ending with no-suffix or LX or AX.

## MINICASE® (SMID Series) Integral Gearmotor Oil Fill - Foot Housing

Type	M1		M2		M3		M4		M5		M6	
	oz	ml	oz	ml	oz	ml	oz	ml	oz	ml	oz	ml
SK 1SMID31	2.0	60	3.6	105	2.4	70	1.7	50	2.4	70	2.4	70
SK 1SMID40	3.4	100	5.6	165	4.1	120	3.0	90	4.1	120	4.1	120
SK 1SMID50	5.9	175	8.8	260	6.6	195	5.4	160	6.6	195	6.6	195
SK 1SMID63	9.6	285	14.4	425	11.0	325	9.1	270	11.0	325	11.0	325

Oil levels shown apply to any foot-mount gear housings including those ending with no-suffix or LX or AX.





# MINICASE® (SM SERIES) WORM GEAR OIL FILL QUANTITIES - FLANGE HOUSING



DRIVESYSTEMS

RETAIN FOR FUTURE USE

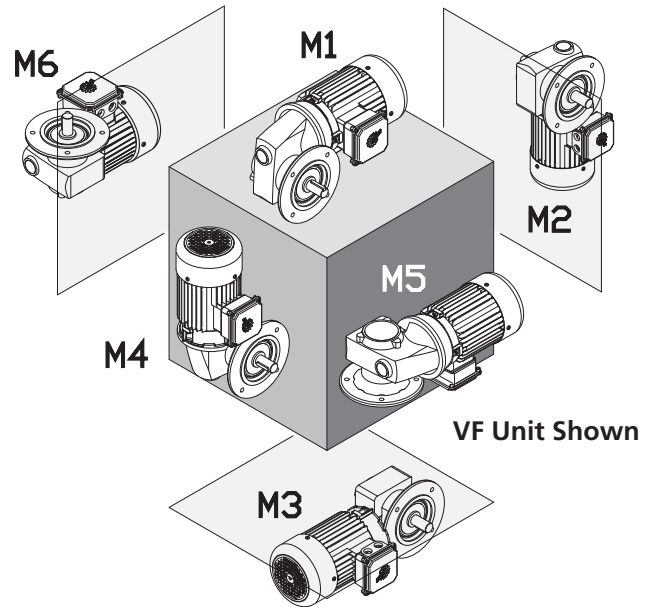
U13200 - 1 of 1

## MINICASE® (SM Series) Lubrication

NORD MINICASE® (SM Series) worm gear reducers and worm gearmotors are inherently maintenance free, factory oil filled, and supplied with a high quality, long life synthetic gear oil intended to be suitable for the life of the product. These gear units are also supplied without oil service plugs or vents.

## Related User Manuals

U10790 MINICASE® (SM Series) Worm – Lubrication Guidelines.  
U11040 MINICASE® (SM Series) Worm – Lubrication Types.



### IMPORTANT NOTE

For mounting orientations other than shown please consult NORD Gear. Reducer modifications may be required.

Type	M1		M2		M3		M4		M5		M6	
	oz	ml	oz	ml	oz	ml	oz	ml	oz	ml	oz	ml
SK 15M31	4.4	130	4.4	130	4.4	130	4.4	130	4.4	130	4.4	130
SK 15M40	8.1	240	8.1	240	8.1	240	8.1	240	8.1	240	8.1	240
SK 25M40	11.5	340	11.5	340	11.5	340	12.8	380	11.5	340	11.5	340
SK 15M50	9.1	270	9.1	270	9.1	270	9.1	270	9.1	270	9.1	270
SK 25M50	12.5	370	12.5	370	12.5	370	15.2	450	12.5	370	12.5	370
SK 15M63	15.2	450	15.2	450	15.2	450	15.2	450	15.2	450	15.2	450
SK 25M63	20.3	600	20.3	600	20.3	600	24.7	730	20.3	600	20.3	600

Oil Levels shown apply to flange-mount gear housings with model type ending in AZ, AF, VZ or VF.

**NORD Gear Limited**

Toll Free in Canada: 800.668.4378

**NORD Gear Corporation**

Toll Free in the United States: 888.314.6673



# MINICASE® (SMI/SMID) WORM GEAR OIL FILL QUANTITIES - FLANGE HOUSING



DRIVESYSTEMS

RETAIN FOR FUTURE USE

U13250 - 1 of 1

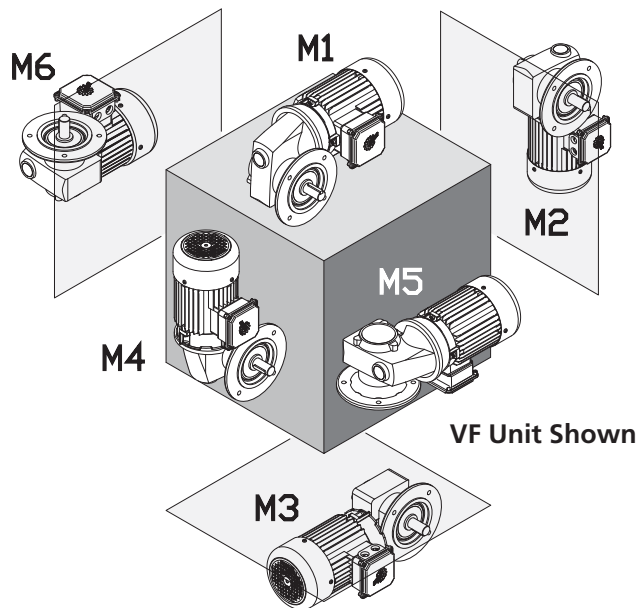
## MINICASE® (SMI/SMID Series) Lubrication

NORD MINICASE® (SMI/SMID Series) worm gear reducers and worm gearmotors are inherently maintenance free, factory oil filled, and supplied with a high quality, long life synthetic gear oil intended to be suitable for the life of the product. For lubrication types see user manual U11050.

NORD MINICASE® (SMI/SMID Series) worm gear reducers and worm gearmotors are equipped with oil plugs. Venting the gear unit is optional as discussed in user manual U14750.

## Related User Manuals

- U10800 - MINICASE® (SMI/SMID Series) Worm – Lubrication Guidelines.
- U11050 - MINICASE® (SMI/SMID Series) Worm – Lubrication Types
- U14750 - MINICASE® (SMI/SMID Series) Worm – Oil Plug Locations



<b>i</b>	<b>IMPORTANT NOTE</b>
For mounting orientations other than shown please consult NORD Gear. Reducer modifications may be required.	

## MINICASE® (SMI Series) Gear Reducer Oil Fill - Flange Housing

Type	M1		M2		M3		M4		M5		M6	
	oz	ml	oz	ml	oz	ml	oz	ml	oz	ml	oz	ml
SK 1SMI31	1.5	45	1.5	45	1.5	45	1.5	45	1.5	45	1.5	45
SK 1SMI40	2.7	80	2.7	80	2.7	80	2.7	80	2.7	80	2.7	80
SK 1SMI50	4.4	130	4.4	130	4.4	130	4.4	130	4.4	130	4.4	130
SK 1SMI63	9.1	270	9.1	270	9.1	270	9.1	270	9.1	270	9.1	270
SK 1SMI75	14.2	420	14.2	420	14.2	420	14.2	420	14.2	420	14.2	420

Oil Fill is universal and independent of mounting position.

Oil Levels shown apply to flange-mount gear housings with model type ending in AZ, AF, VZ or VF.

## MINICASE® (SMID Series) Integral Gearmotor Oil Fill - Flange Housing

Type	M1		M2		M3		M4		M5		M6	
	oz	ml	oz	ml	oz	ml	oz	ml	oz	ml	oz	ml
SK 1SMID31	2.0	60	3.6	105	2.4	70	1.7	50	2.4	70	2.4	70
SK 1SMID40	3.4	100	5.6	165	4.1	120	3.0	90	4.1	120	4.1	120
SK 1SMID50	5.9	175	8.8	260	6.6	195	5.4	160	6.6	195	6.6	195
SK 1SMID63	9.6	285	14.4	425	11.0	325	9.1	270	11.0	325	11.0	325

Oil Levels shown apply to flange-mount gear housings with model type ending in AZ, AF, VZ or VF.



# FLEXBLOC™ (SI/SID SERIES) WORM GEAR OIL FILL QUANTITIES



DRIVESYSTEMS

RETAIN FOR FUTURE USE

U13300 - 1 of 1

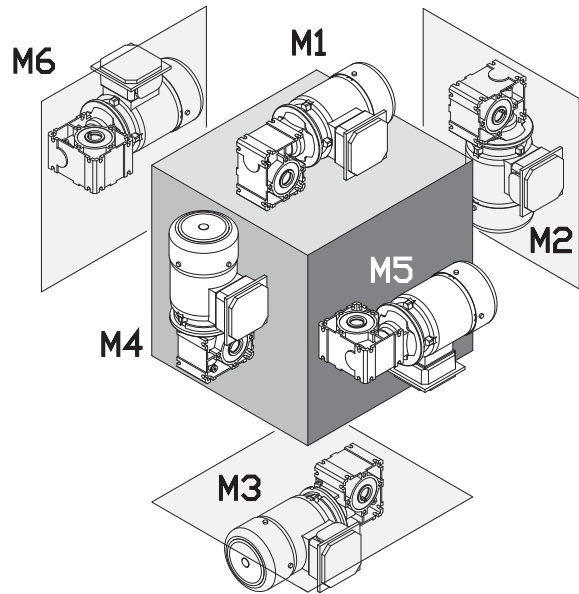
## FLEXBLOC™ (SI/SID Series) Lubrication

NORD FLEXBLOC™ worm gear reducers are inherently maintenance free, factory oil filled, and supplied with a high quality, long life synthetic gear oil intended to be suitable for the life of the product. For lubrication types see User Manual U11060.

NORD FLEXBLOC™ worm gear reducers are equipped with oil plugs. Venting the gear unit is optional as discussed in User Manual U14800.

### Related User Manuals

- U10810 FLEXBLOC™ (SI/SID Series) Worm – Lubrication Guidelines
- U11060 FLEXBLOC™ Worm (SI/SID Series) – Lubrication Types
- U14800 FLEXBLOC™ Worm (SI/SID Series) – Oil Plug Locations



## FLEXBLOC™ (SI Series) Gear Reducer Oil Fill

Type	M1		M2		M3		M4		M5		M6	
	oz	ml	oz	ml	oz	ml	oz	ml	oz	ml	oz	ml
SK 1SI31	1.0	30	1.0	30	1.0	30	1.0	30	1.0	30	1.0	30
SK 1SI40	1.9	55	1.9	55	1.9	55	1.9	55	1.9	55	1.9	55
SK 1SI50	3.2	95	3.2	95	3.2	95	3.2	95	3.2	95	3.2	95
SK 1SI63	6.1	180	6.1	180	6.1	180	6.1	180	6.1	180	6.1	180
SK 1SI75	12.2	360	12.2	360	12.2	360	12.2	360	12.2	360	12.2	360

Oil Fill is universal and independent of mounting position.

## FLEXBLOC™ (SID Series) Gear Reducer Oil Fill

Type	M1		M2		M3		M4		M5		M6	
	oz	ml	oz	ml	oz	ml	oz	ml	oz	ml	oz	ml
SK 1SID31	1.7	50	3.0	90	2.4	70	1.7	50	2.4	70	2.4	70
SK 1SID40	3.0	90	5.1	150	3.7	110	2.7	80	4.1	120	4.1	120
SK 1SID50	5.7	170	6.8	200	5.7	170	5.1	150	6.1	180	6.1	180
SK 1SID63	9.8	280	12.2	360	9.8	290	8.1	240	10.5	310	10.5	310

Integral gear motors only available upon special request.

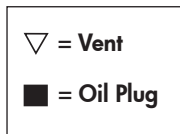
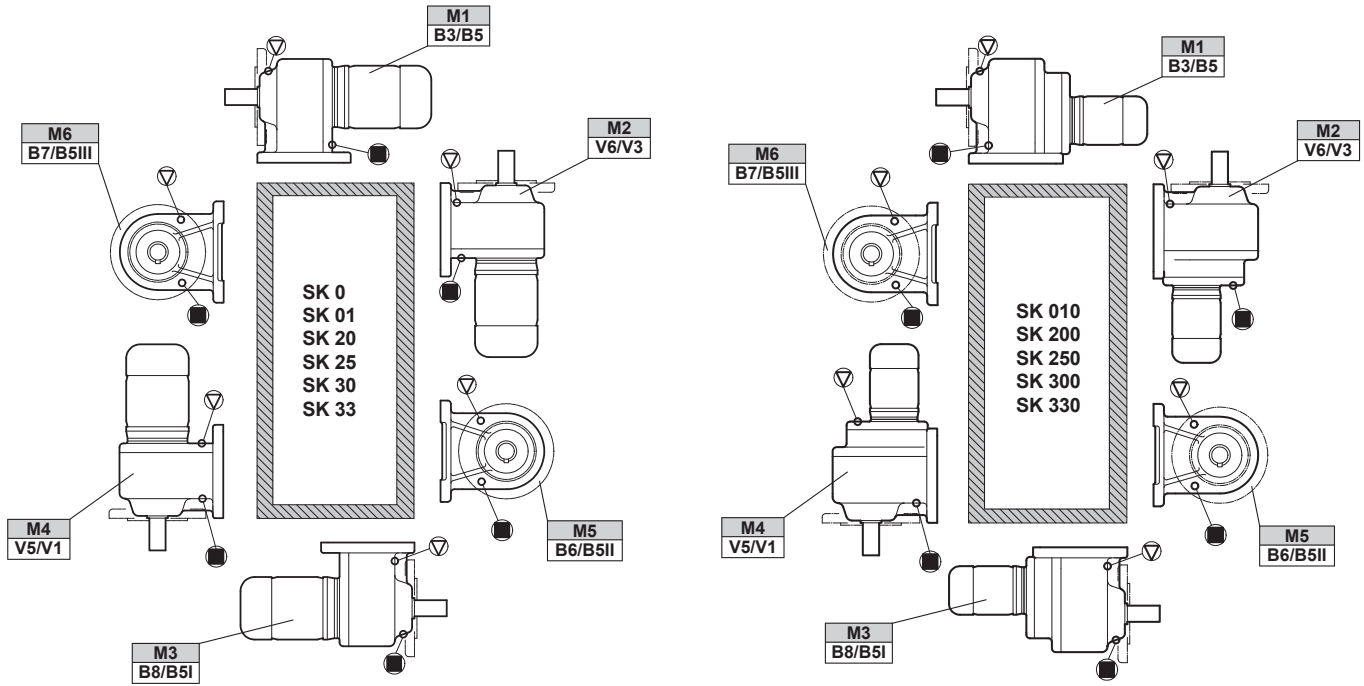


# STANDARD IN-LINE OIL PLUG & VENT LOCATIONS



## Oil plug connections

All reducers are shipped from the factory with a pre-determined oil fill level in accordance to the specified reducer size and mounting position. *For mounting orientations other than shown please consult NORD Gear. New plug locations may be required.*



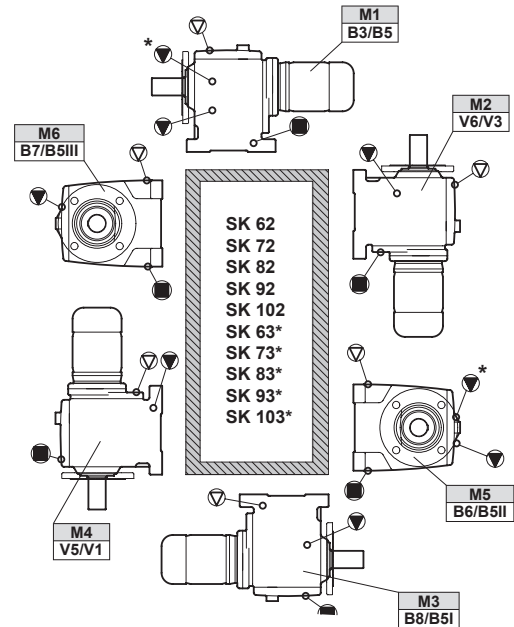
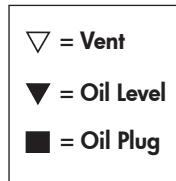
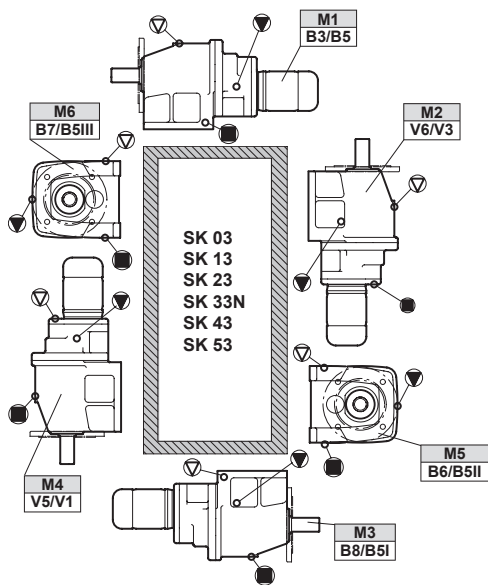
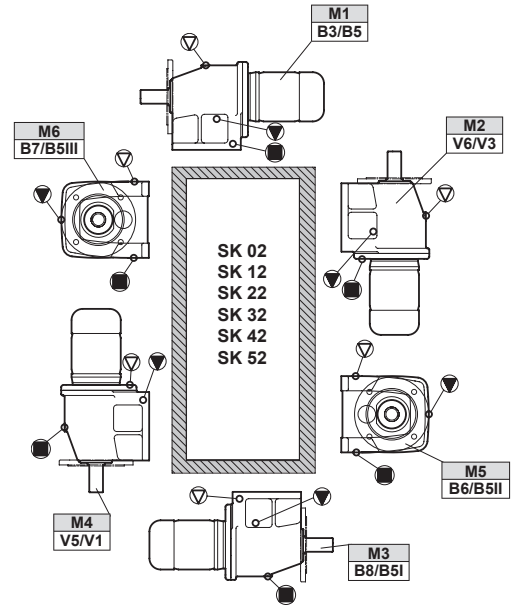
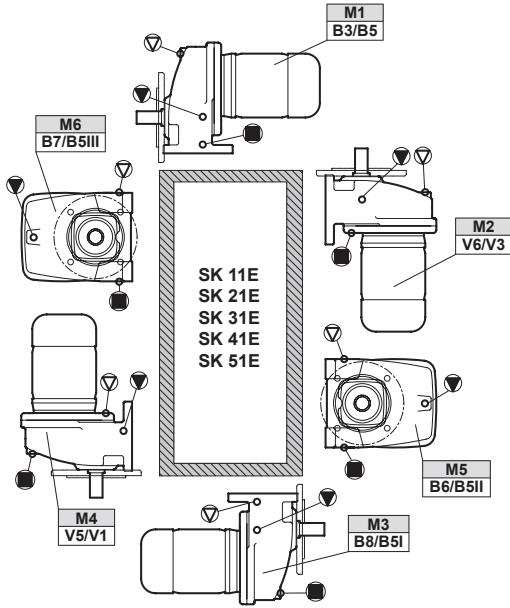


# HELICAL IN-LINE OIL PLUG & VENT LOCATIONS



## Oil plug connections

Prior to commissioning the reducer, check the oil-fill level using the reducer's oil-level plug and drain or add additional oil as needed. The minimum acceptable oil level is 0.15 in (4mm) below the oil level hole. *For mounting orientations other than shown please consult NORD Gear. New plug locations may be required.*



\* Oil level for 3 stage gear units.





DRIVESYSTEMS

# CLINCHER™ OIL PLUG & VENT LOCATIONS

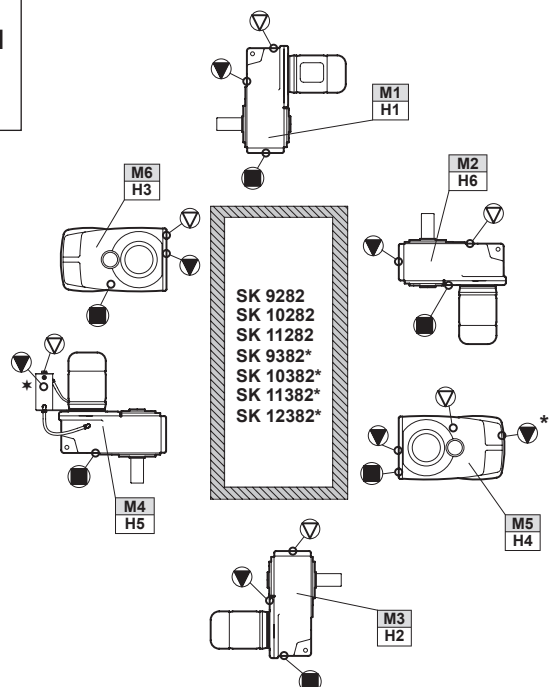
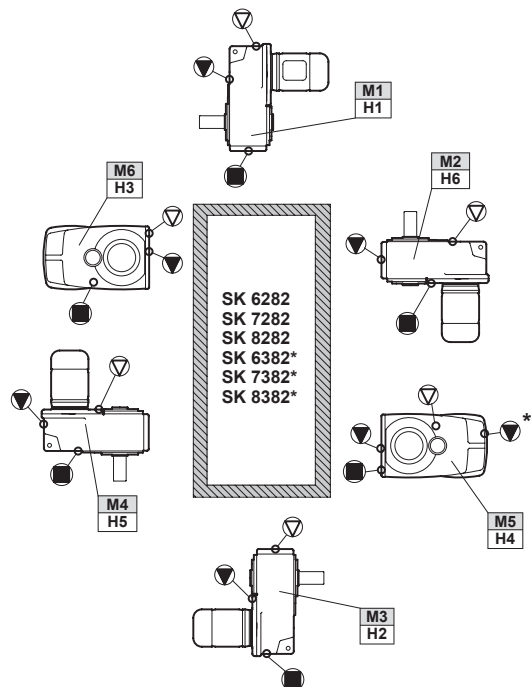
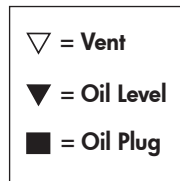
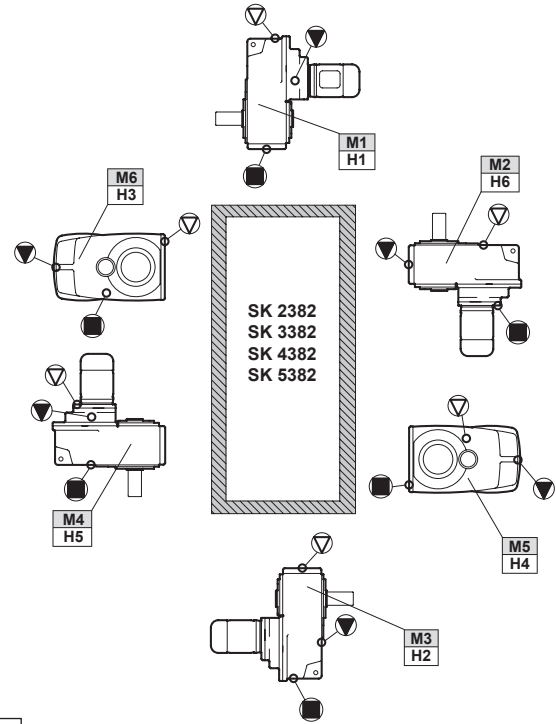
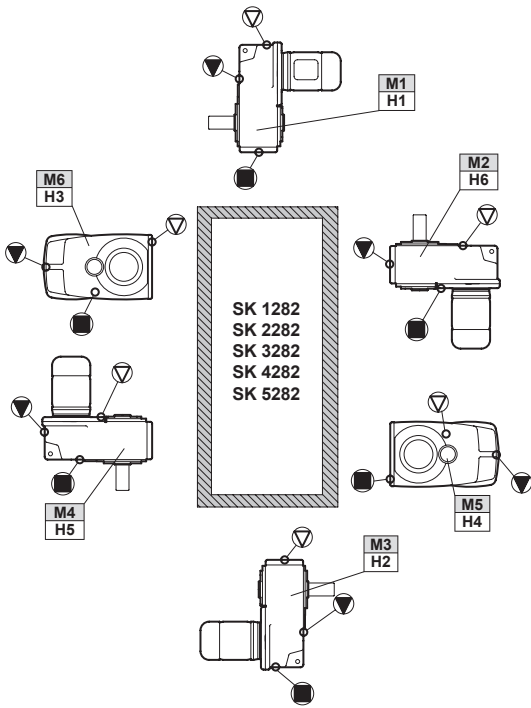


RETAIN FOR FUTURE USE

U14200 - 1 of 2

## Oil plug connections

Prior to commissioning the reducer, check the oil-fill level using the reducer's oil-level plug and drain or add additional oil as needed. The minimum acceptable oil level is 0.15 in (4mm) below the oil level hole. **For mounting orientations other than shown please consult NORD Gear. New plug locations may be required.**



\* Oil level for 3 stage gear units

\* Oil level for 3 stage gear units

\* Oil fill level should be verified using the dip stick located in the oil tank for the M4/H5 position.

**NORD Gear Limited**  
Toll Free in Canada: 800.668.4378

**NORD Gear Corporation**  
Toll Free in the United States: 888.314.6673



# CLINCHER™ OIL PLUG & VENT LOCATIONS



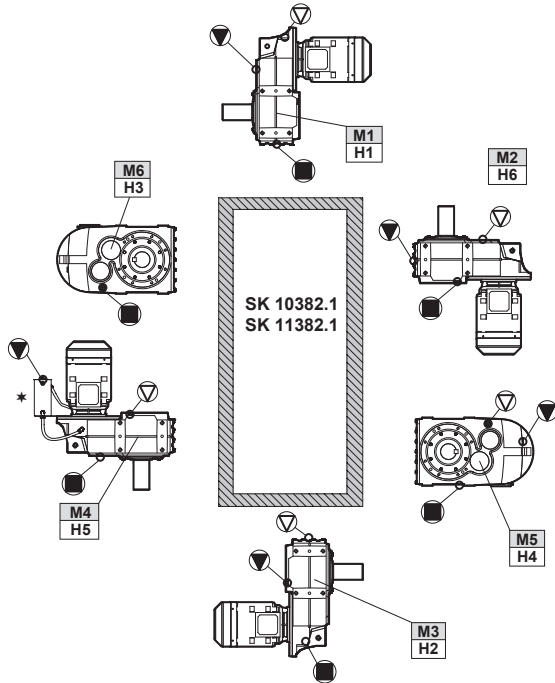
DRIVESYSTEMS

RETAIN FOR FUTURE USE

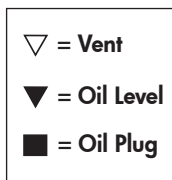
U14200 - 2 of 2

## Oil plug connections

Prior to commissioning the reducer, check the oil-fill level using the reducer's oil-level plug and drain or add additional oil as needed. The minimum acceptable oil level is 0.15 in (4mm) below the oil level hole. *For mounting orientations other than shown please consult NORD Gear. New plug locations may be required.*



\* Oil fill level should be verified using the dip stick located in the oil tank for the M4/H5 position.





# 92 SERIES HELICAL-BEVEL OIL PLUG & VENT LOCATIONS



DRIVESYSTEMS

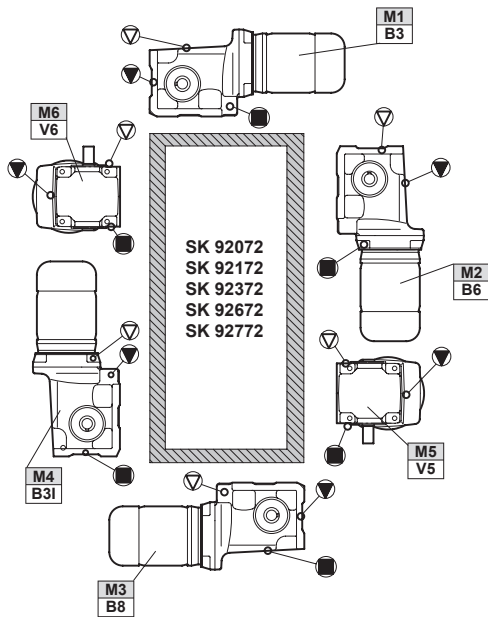
RETAIN FOR FUTURE USE

U14300 - 1 of 1

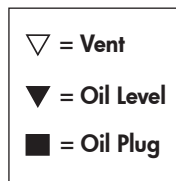
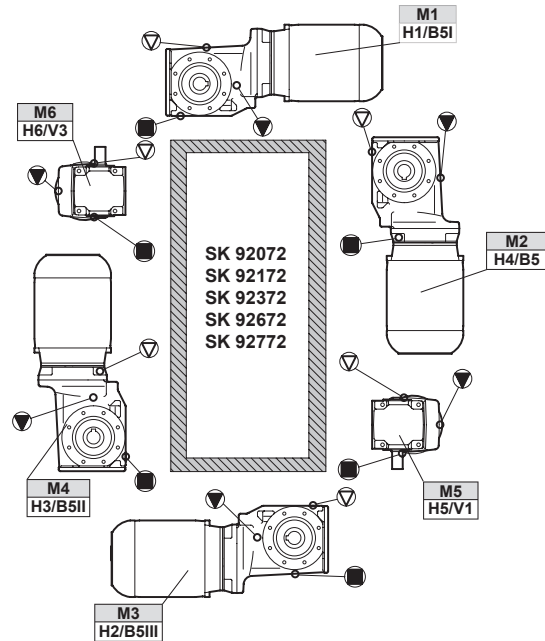
## Oil plug connections

Prior to commissioning the reducer, check the oil-fill level using the reducer's oil-level plug and drain or add additional oil as needed. The minimum acceptable oil level is 0.15 in (4mm) below the oil level hole. *For mounting orientations other than shown please consult NORD Gear. New plug locations may be required.*

### Foot Mount



### Shaft/Flange Mount





# 92.1/93.1 SERIES HELICAL-BEVEL OIL PLUG & VENT LOCATIONS



DRIVESYSTEMS

RETAIN FOR FUTURE USE

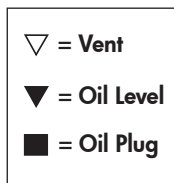
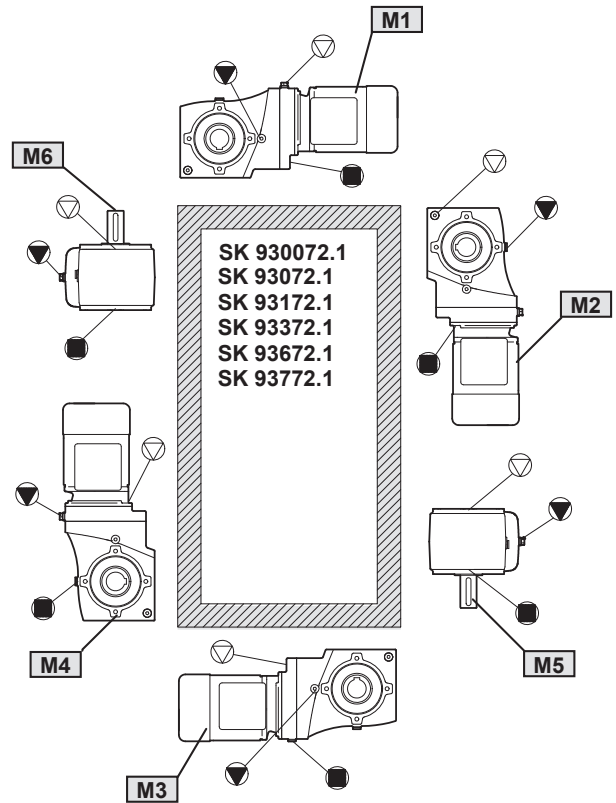
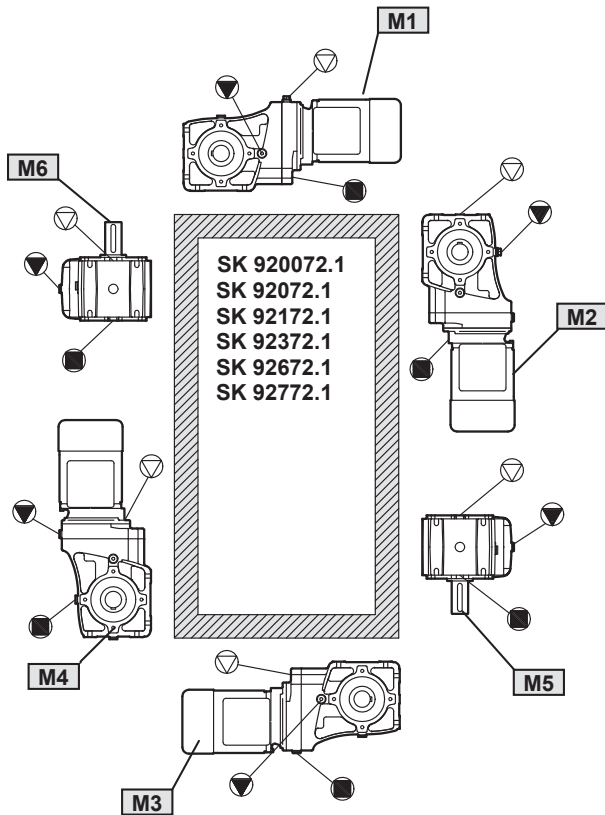
U14305 - 1 of 1

## Oil plug locations

Prior to commissioning the reducer, check the oil-fill level using the reducer's oil-level plug and drain or add additional oil as needed. *For mounting orientations other than shown please consult NORD Gear. New plug locations may be required.*

### 92.1 Series

### 93.1 Series





# 90.1 HELICAL-BEVEL OIL PLUG & VENT LOCATIONS



DRIVESYSTEMS

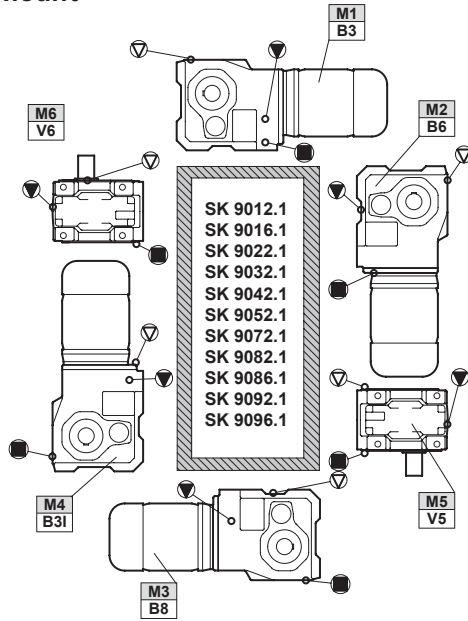
RETAIN FOR FUTURE USE

U14400 - 1 of 1

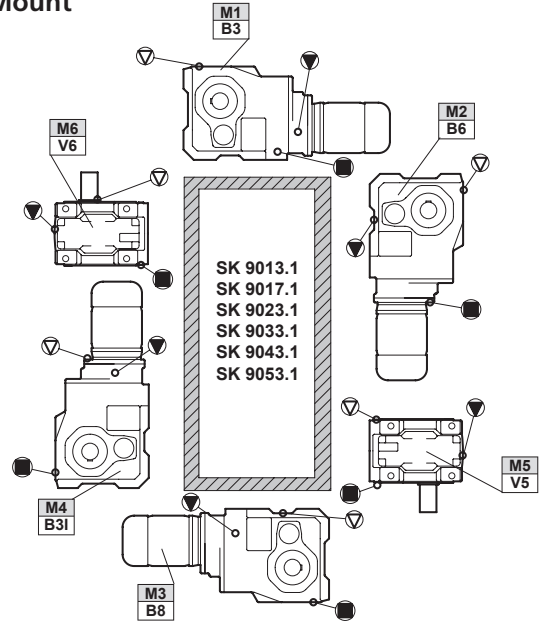
## Oil plug connections

Prior to commissioning the reducer, check the oil-fill level using the reducer's oil-level plug and drain or add additional oil as needed. The minimum acceptable oil level is 0.15 in (4mm) below the oil level hole. *For mounting orientations other than shown please consult NORD Gear. New plug locations may be required.*

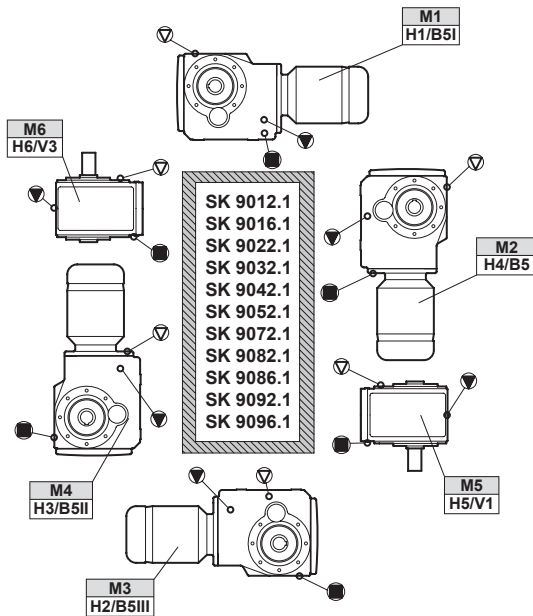
### Foot Mount



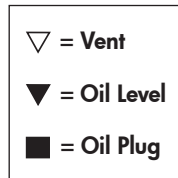
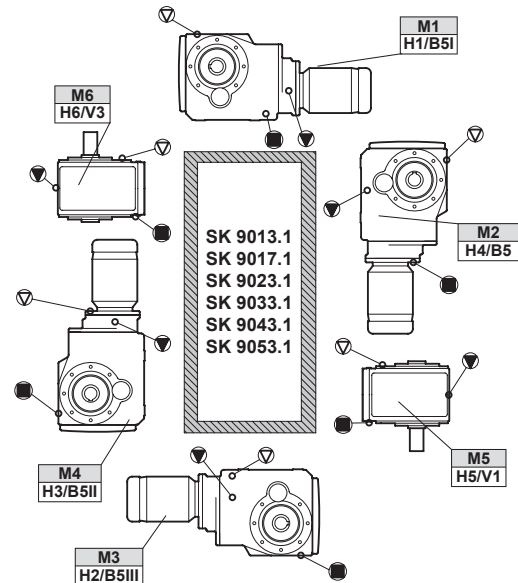
### Foot Mount



### Shaft/Flange Mount



### Shaft/Flange Mount



**NORD Gear Limited**

Toll Free in Canada: 800.668.4378

**NORD Gear Corporation**

Toll Free in the United States: 888.314.6673





# HELICAL-WORM OIL PLUG & VENT LOCATIONS



DRIVESYSTEMS

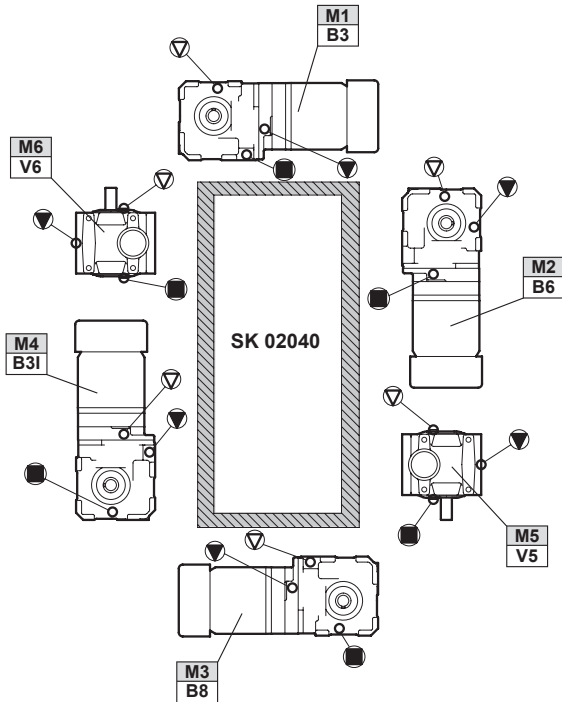
RETAIN FOR FUTURE USE

U14500 - 1 of 2

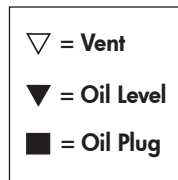
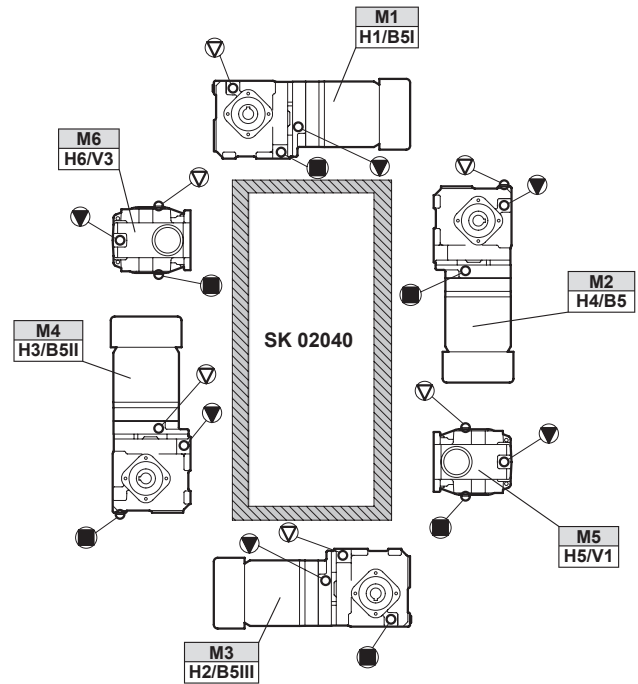
## Oil plug connections

Prior to commissioning the reducer, check the oil-fill level using the reducer's oil-level plug and drain or add additional oil as needed. The minimum acceptable oil level is 0.15 in (4mm) below the oil level hole. *For mounting orientations other than shown please consult NORD Gear. New plug locations may be required.*

### Foot Mount



### Shaft/Flange Mount

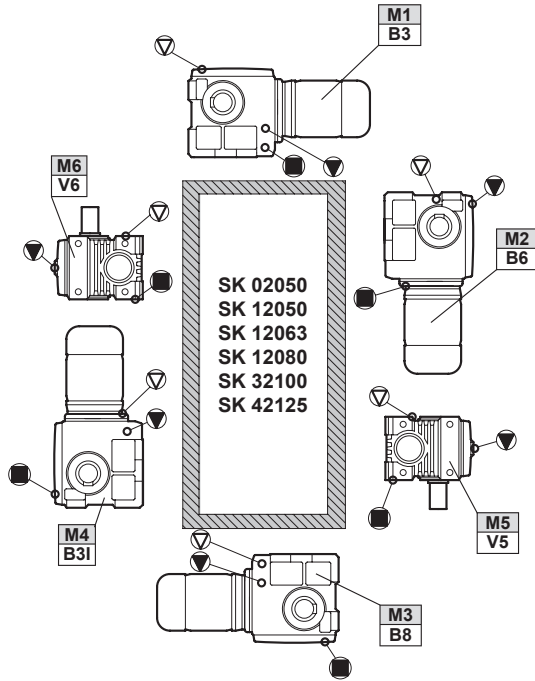




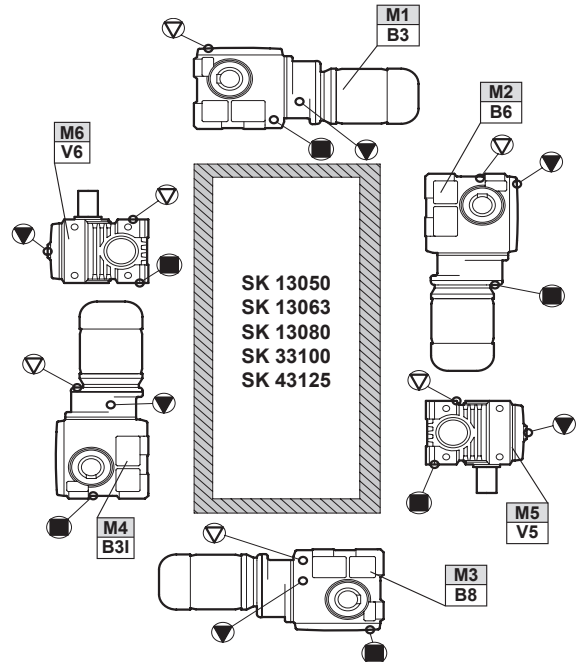
# HELICAL-WORM OIL PLUG & VENT LOCATIONS



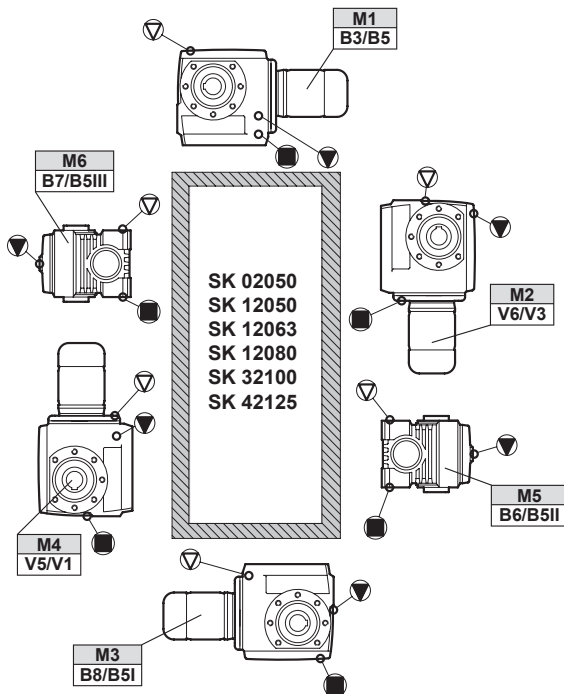
Foot Mount



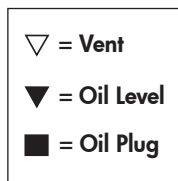
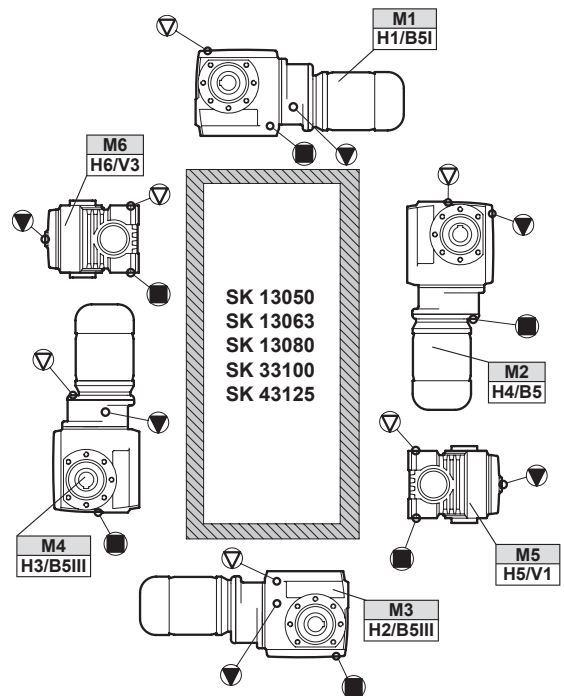
Foot Mount



Shaft/Flange Mount



Shaft/Flange Mount





# NORDBLOC® OIL PLUG & VENT LOCATIONS



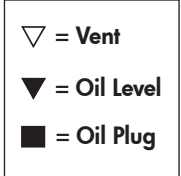
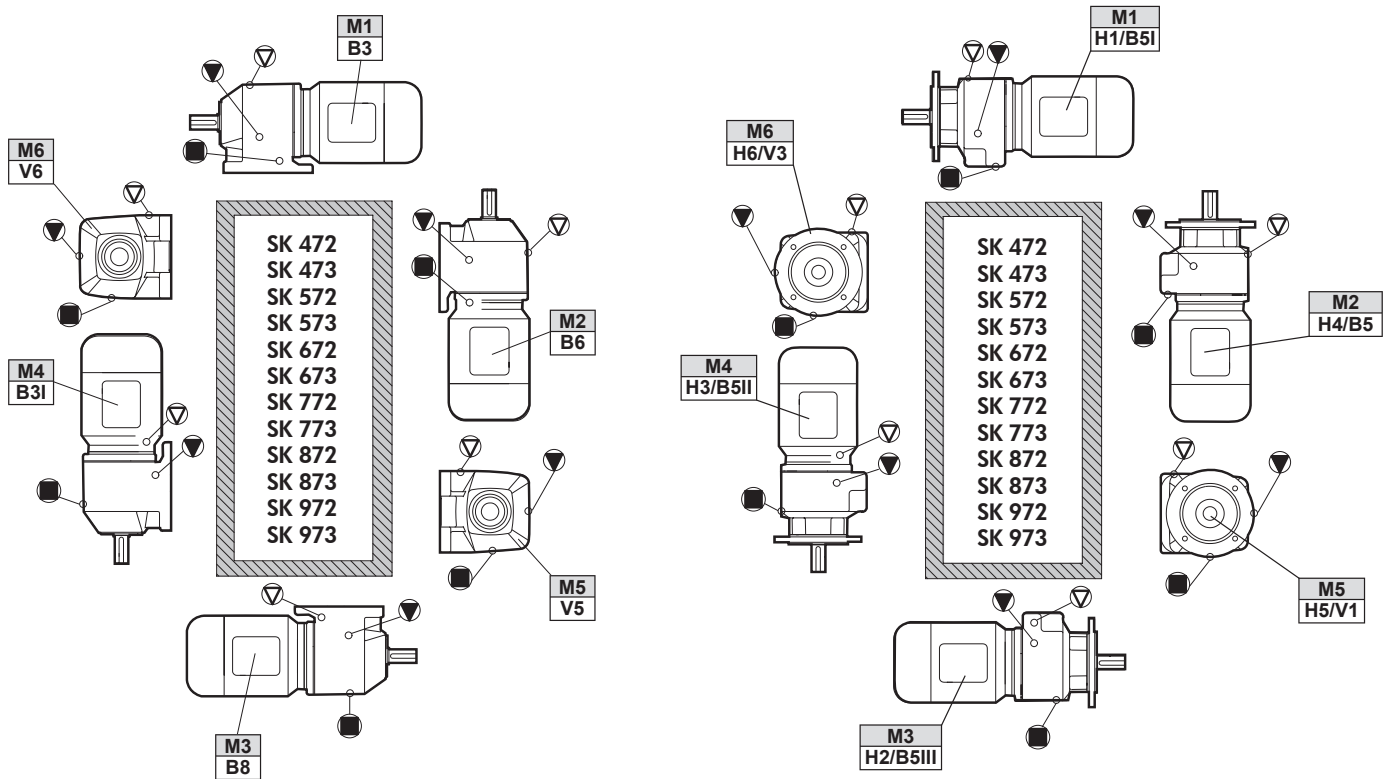
DRIVESYSTEMS

RETAIN FOR FUTURE USE

U14600 - 1 of 1

## Oil plug connections

Prior to commissioning the reducer, check the oil-fill level using the reducer's oil-level plug and drain or add additional oil as needed. The minimum acceptable oil level is 0.15 in (4mm) below the oil level hole. *For mounting orientations other than shown please consult NORD Gear. New plug locations may be required.*





# NORDBLOC®.1 OIL PLUG & VENT LOCATIONS



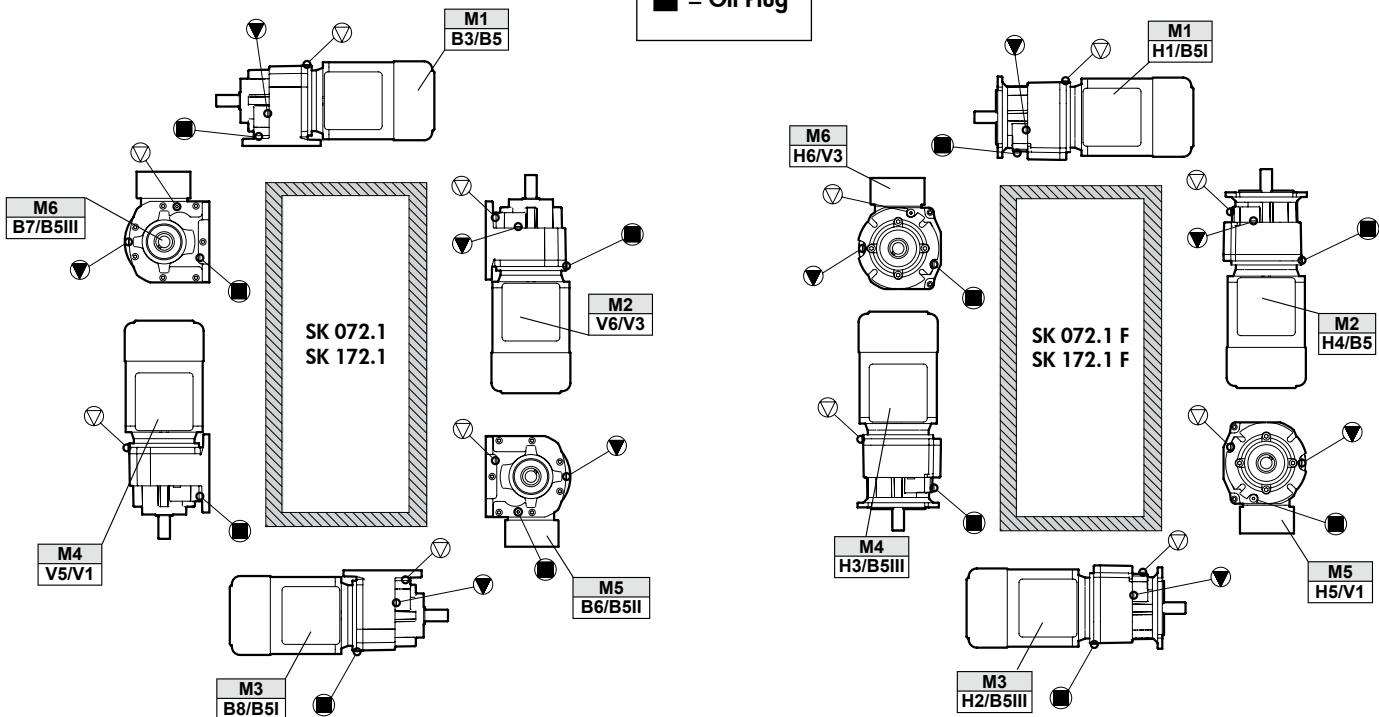
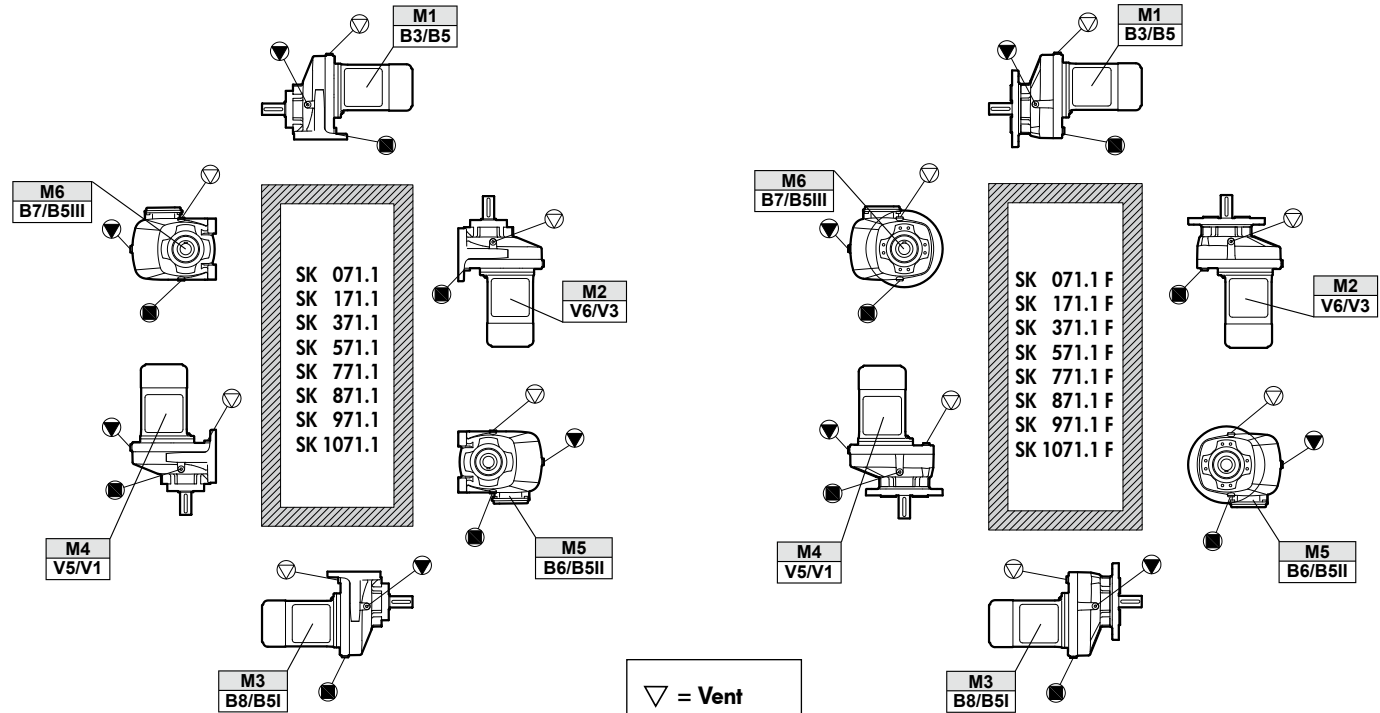
DRIVESYSTEMS

RETAIN FOR FUTURE USE

U14700 - 1 of 2

## Oil plug connections

Prior to commissioning the reducer, check the oil-fill level using the reducer's oil-level plug and drain or add additional oil as needed. The correct oil level should be located at the lower edge of the oil level hole. **For mounting orientations other than shown please consult NORD Gear. New plug locations may be required.**



**NORD Gear Limited**  
Toll Free in Canada: 800.668.4378

**NORD Gear Corporation**  
Toll Free in the United States: 888.314.6673



# NORDBLOC®.1 OIL PLUG & VENT LOCATIONS



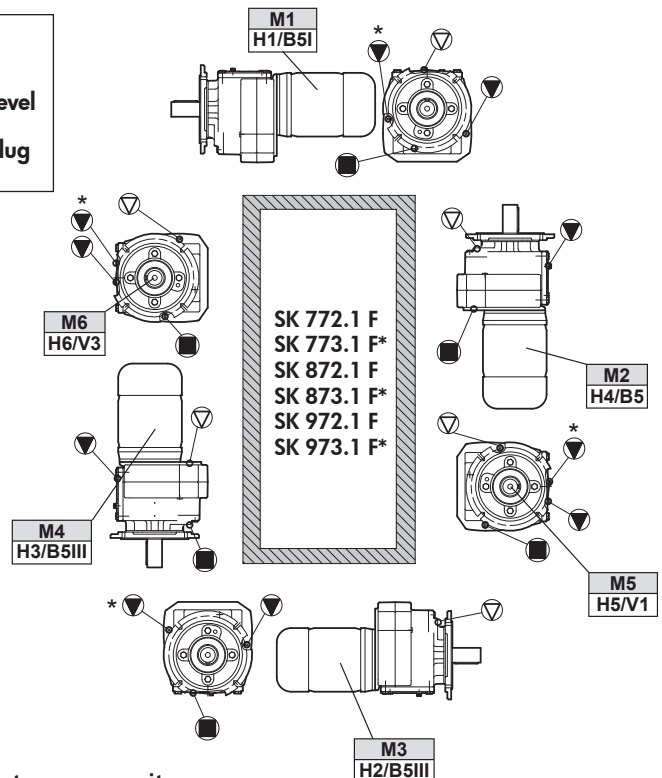
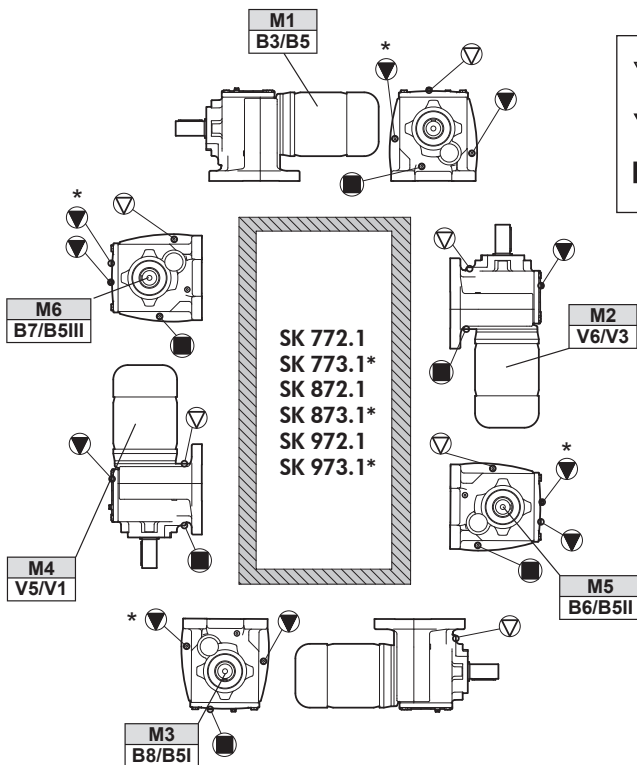
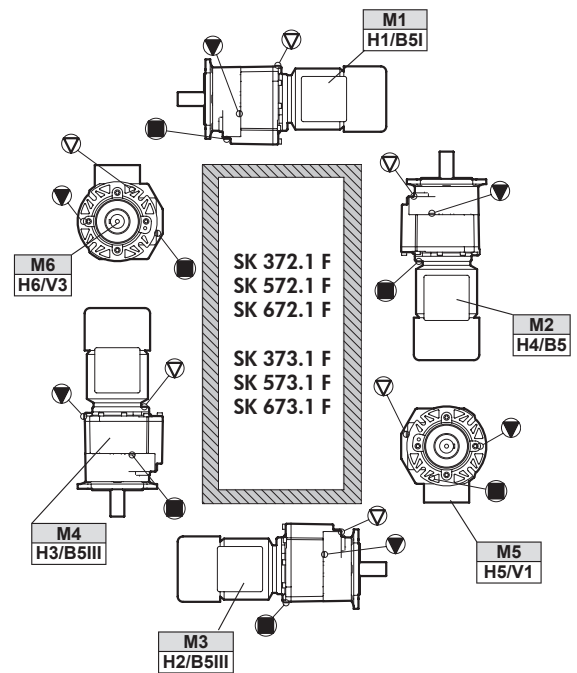
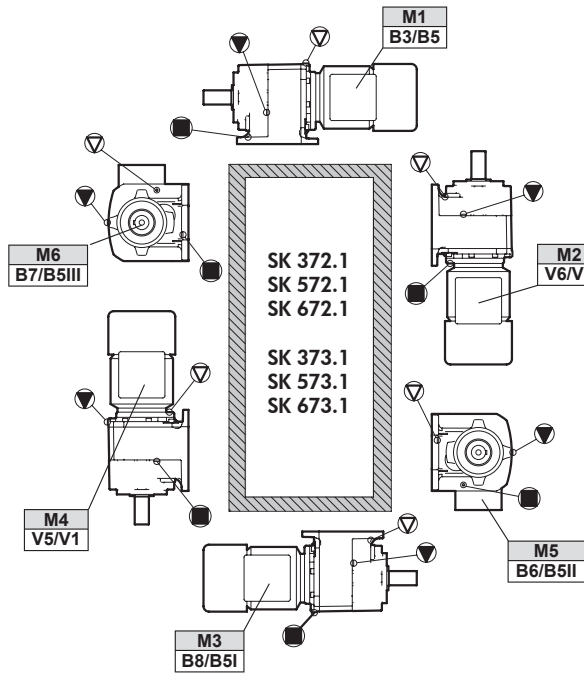
DRIVESYSTEMS

RETAIN FOR FUTURE USE

U14700 - 2 of 2

## Oil plug connections

Prior to commissioning the reducer, check the oil-fill level using the reducer's oil-level plug and drain or add additional oil as needed. The correct oil level should be located at the lower edge of the oil level hole. **For mounting orientations other than shown please consult NORD Gear. New plug locations may be required.**



▽ = Vent  
▼ = Oil Level  
■ = Oil Plug

\* Oil fill level for three stage gear units.

**NORD Gear Limited**  
Toll Free in Canada: 800.668.4378

**NORD Gear Corporation**  
Toll Free in the United States: 888.314.6673





# MINICASE® (SMI/SMID) WORM GEAR OIL PLUG & VENT LOCATIONS



DRIVESYSTEMS

RETAIN FOR FUTURE USE

U14750 - 1 of 1

## Oil Plug and Vent Locations

MINICASE® (SMI/SMID) reducers and gear motors are fitted with oil plugs to allow for optional venting of the gear unit. NORD can supply either an AUTOVENT™ (valve-type) vent or an open vent. Vent options are available for most gear unit sizes and positions as indicated by the table below. For more complete details on vent options and when to consider reducer venting, see user manual U10800.

### Vent Compatibility by Unit Size & Mounting Position

	M1	M2	M3	M4	M5	M6
SMI/SMID 31		✓	✓	✓		✓
SMI/SMID 40		✓	✓	✓		✓
SMI/SMID 50	✓	✓	✓	✓		✓
SMI/SMID 63	✓	✓	✓	✓	✓	✓
SMI/SMID 75	✓	✓	✓	✓		✓

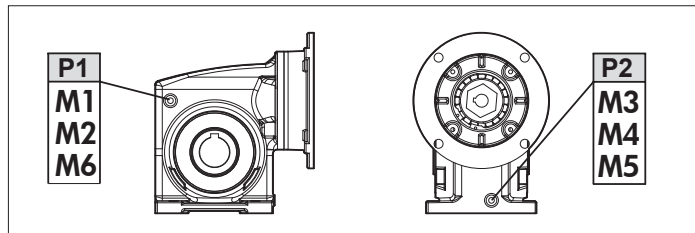
Continuous Input speed ≤ 1800 rpm

### Vent Kit Part Numbers

Type	Transportation Seal	Installation	Part Number
AUTOVENT™	Included	Factory or Field site	60693510
Open Vent	None	Field Only	60693500
Open Vent	Included	Factory or Field site	22008004 (vent) 25308120 (gasket)

Unless noted by a separate part number, vent kits include the housing gasket

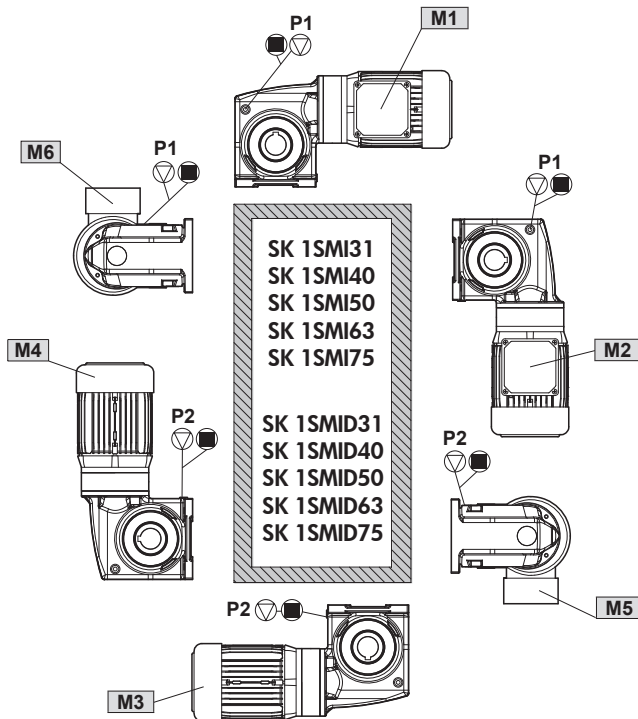
### Optional Vent Locations



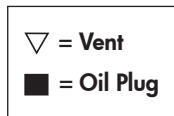
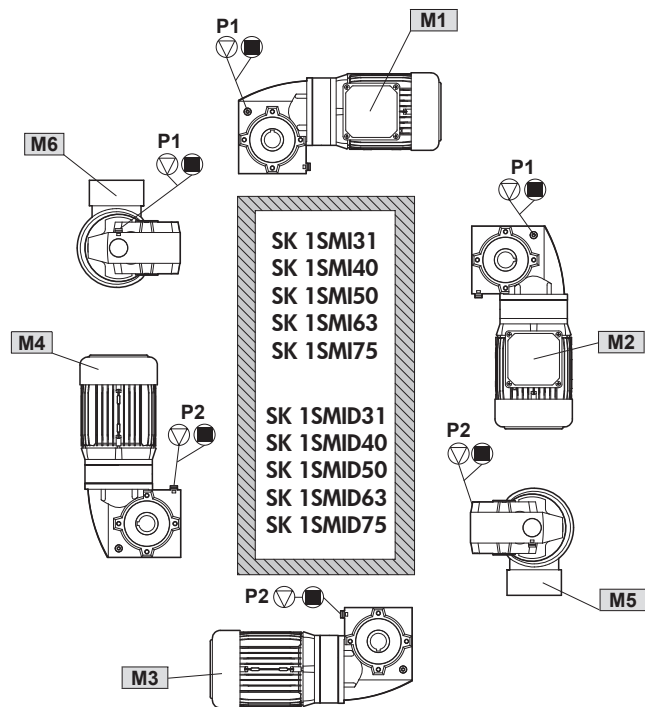
### NOTICE

To prevent build-up of excessive pressure, sealed vents must be activated as shown prior to gear unit start-up. Excessive pressure may cause damage to internal components and cause leakage.

### MINICASE® (SMI/SMID) Foot Housing



### MINICASE® (SMI/SMID) Flange Housing



**NORD Gear Limited**

Toll Free in Canada: 800.668.4378

07.14.17

**NORD Gear Corporation**

Toll Free in the United States: 888.314.6673

[www.nord.com/docs](http://www.nord.com/docs)



# FLEXBLOC™ (SI/SID SERIES) WORM GEAR OIL PLUG & VENT LOCATIONS



DRIVESYSTEMS

RETAIN FOR FUTURE USE

U14800 - 1 of 1

## Vent locations

FLEXBLOC™ (SI/SID SERIES) reducers are fitted with oil plugs to allow for optional venting of the gear unit. NORD can supply either an AUTOVENT™ (valve-type) vent or an open vent. Vent options are available for most gear unit sizes and positions as indicated by the table below. For more complete details on vent options and when to consider reducer venting, see user manual U10810.

## Vent Compatibility by Unit Size & Mounting Position

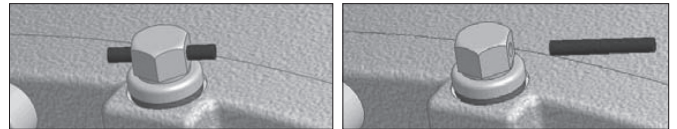
	M1	M2	M3	M4	M5	M6
SI/SID 31		✓	✓	✓		✓
SI/SID 40		✓	✓	✓		✓
SI/SID 50	✓	✓	✓	✓		✓
SI/SID 63	✓	✓	✓	✓	✓	✓
SI/SID 75	✓	✓	✓	✓		✓

Continuous Input speed ≤ 1800 rpm

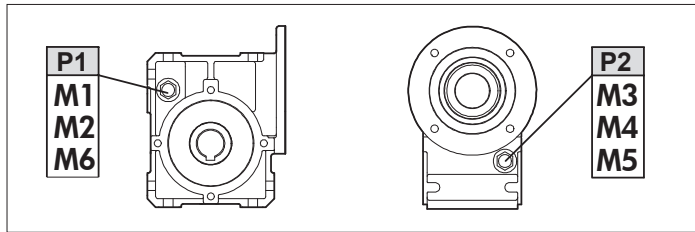
## Vent Kit Part Numbers

Type	Transportation Seal	Installation	Part Number
AUTOVENT™	Included	Factory or Field site	66093510
Open Vent	None	Field Only	60693500
Open Vent	Included	Factory or Field site	22008004 (vent) 25308120 (gasket)

Unless noted by a separate part number, vent kits include the housing gasket



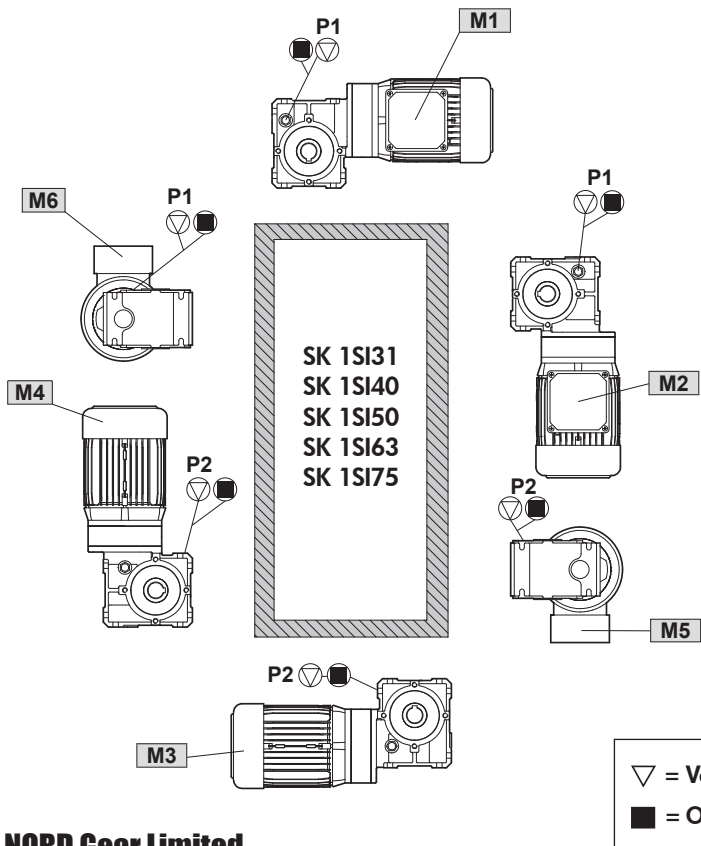
## Optional Vent Locations



## NOTICE

To prevent build-up of excessive pressure, sealed vents must be activated as shown prior to gear unit start-up. Excessive pressure may cause damage to internal components and cause leakage.

## FLEXBLOC™ (SI Series) Universal Housing



**NORD Gear Limited**

Toll Free in Canada: 800.668.4378

**NORD Gear Corporation**

Toll Free in the United States: 888.314.6673



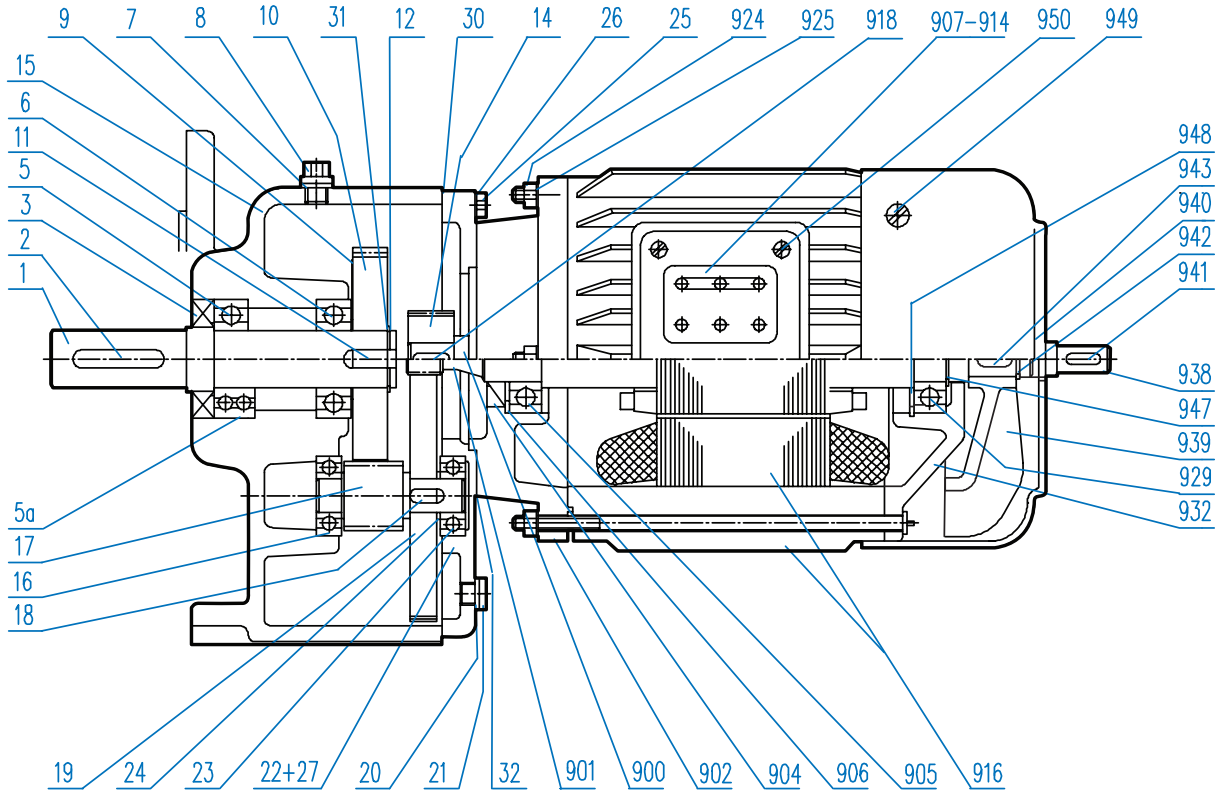
DRIVESYSTEMS

# STANDARD IN-LINE PARTS LIST DRAWINGS

RETAIN FOR FUTURE USE



U15000 - 1 of 4



## SK 0 - SK 33 Helical Gear Unit

1	Output shaft	21	Plug	910	Terminal box cover gasket
2	Key	22	Gear case cover	911	Terminal board
3	Shaft seal	23	Pinion shaft bearing	914	Cable entry gland
5	Output shaft bearing, normal	24	Shim	916	Stator case
5A	Output shaft bearing, reinforced	25	Hexagon bolt	918	Key
6	Output shaft bearing	26	Washer	924	Collar bolt
7	Seal	27	Spiral pin	925	Hexagonal nut
8	Vent screw	30	Seal	929	Bearing B
9	Shim	31	Shim	932	Endshield B
10	Driven gear	32	Seal	938	Second motor shaft end*
11	Key	900	Rotor with shaft, plain	939	Fan
12	Circlip	901	Rotor with shaft, gearcut	940	Fan cover
14	Driving pinion	902	End shield A	941	Key
15	Gear case	904	Shaft seal	942	Circlip
16	Pinion shaft, bearing	905	Bearing A	943	Key
17	Driven pinion	906	Bearing shim	947	Circlip
18	Key	907	Terminal box frame	948	Circlip
19	Driving gear	908	Terminal box cover	949	Oval flat-head bolt
20	Seal	909	Terminal box frame gasket	950	Oval flat-head bolt

\* Optional Part

**NORD Gear Limited**

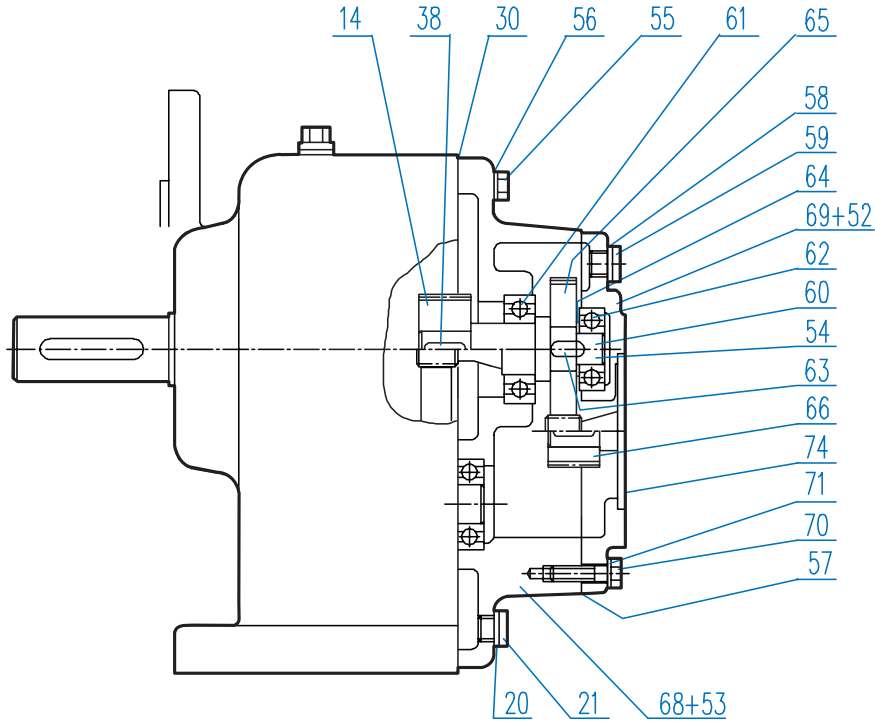
Toll Free in Canada: 800.668.4378

**NORD Gear Corporation**

Toll Free in the United States: 888.314.6673



# STANDARD IN-LINE PARTS LIST DRAWINGS

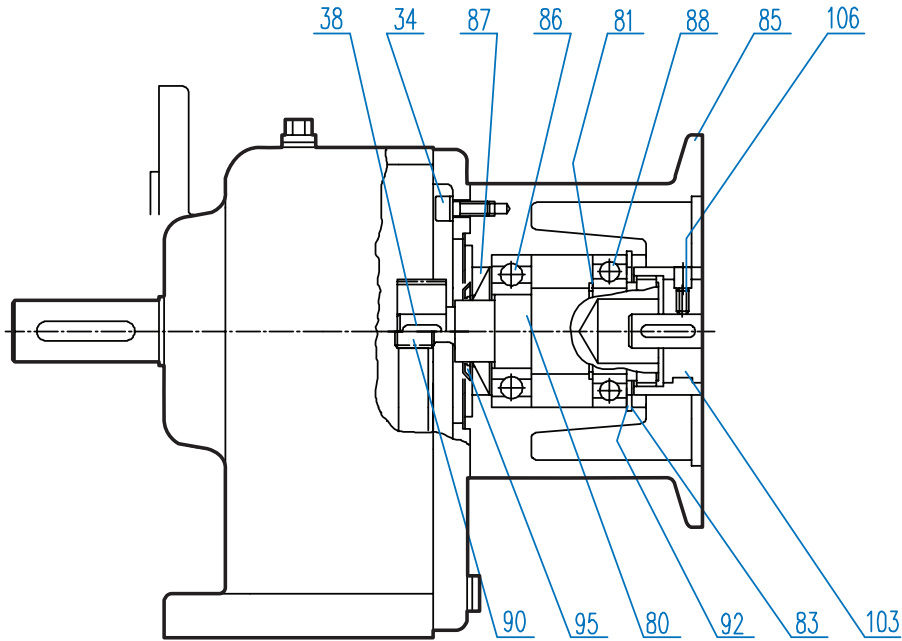


## SK 010 - SK 330 Third Stage Reduction Gear

14	Driving pinion	55	Hexagon bolt	64	Shim
20	Seal	56	Washer	65	Driving gear
21	Plug	57	Seal	66	Driving pinion
27	Spiral pin	58	Seal	68	Gear case 3rd.-red.
30	Seal	59	Plug	69	Gear case cover
38	Key	60	Intermediate shaft, plain	70	Hexagon bolt
52	Spiral pin	61	Grooved ball bearing	71	Washer
53	Spiral pin	62	Grooved ball bearing	74	Seal
54	Intermediate shaft, gearcut	63	Key		



# STANDARD IN-LINE PARTS LIST DRAWINGS



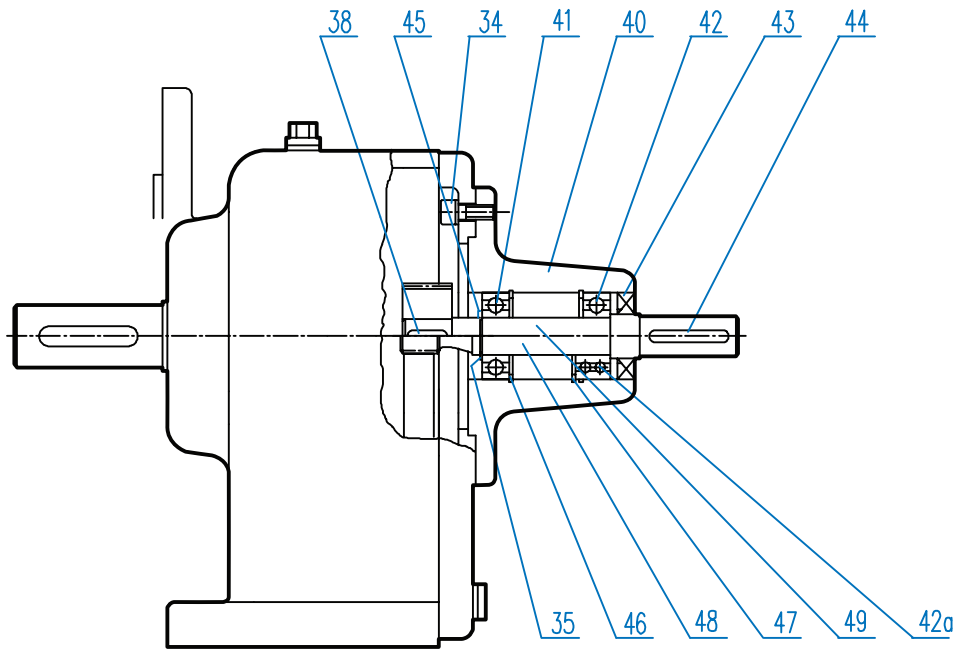
## SK 0 - SK 330 IEC Input

34	Socket head bolt	85	IEC adaptor	92	Shim
38	Key	86	Input shaft bearing	103	Coupling
80	Input shaft	87	Shaft seal	106	Set screw
81	Circlip	88	Input shaft bearing		
83	Circlip	90	Pinion shaft		





# STANDARD IN-LINE PARTS LIST DRAWINGS

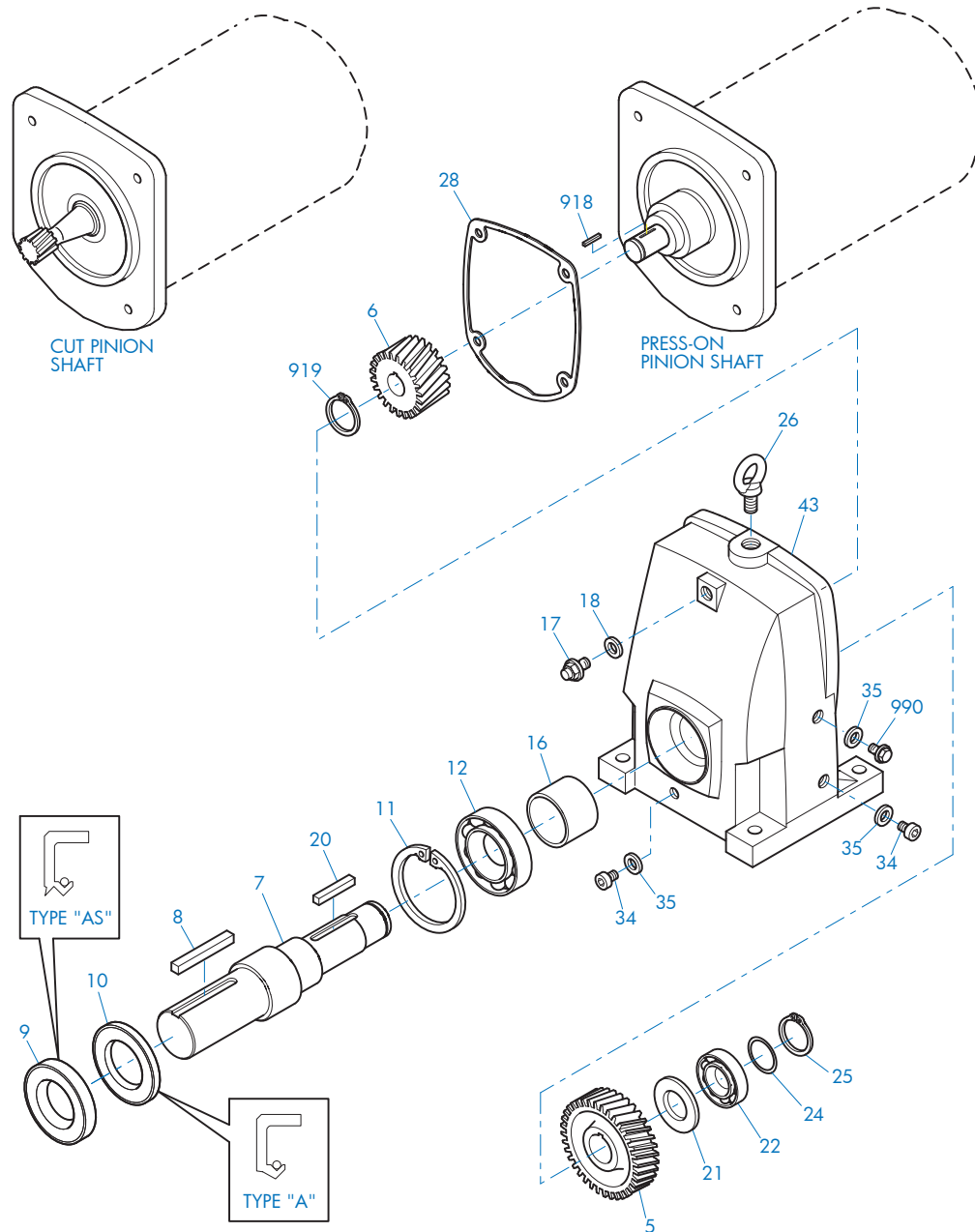


## SK 0 - SK 330 Solid Shaft Input (W)

34	Socket head bolt	42	Grooved ball bearing, normal	46	Circlip
35	Shim	42A	Grooved ball bearing, reinforced	47	Circlip
38	Key	43	Shaft seal	48	Input shaft, gearcut
40	Input bearing housing	44	Key	49	input shaft, plain
41	Grooved ball bearing	45	Circlip		



# HELICAL IN-LINE PARTS LIST DRAWINGS

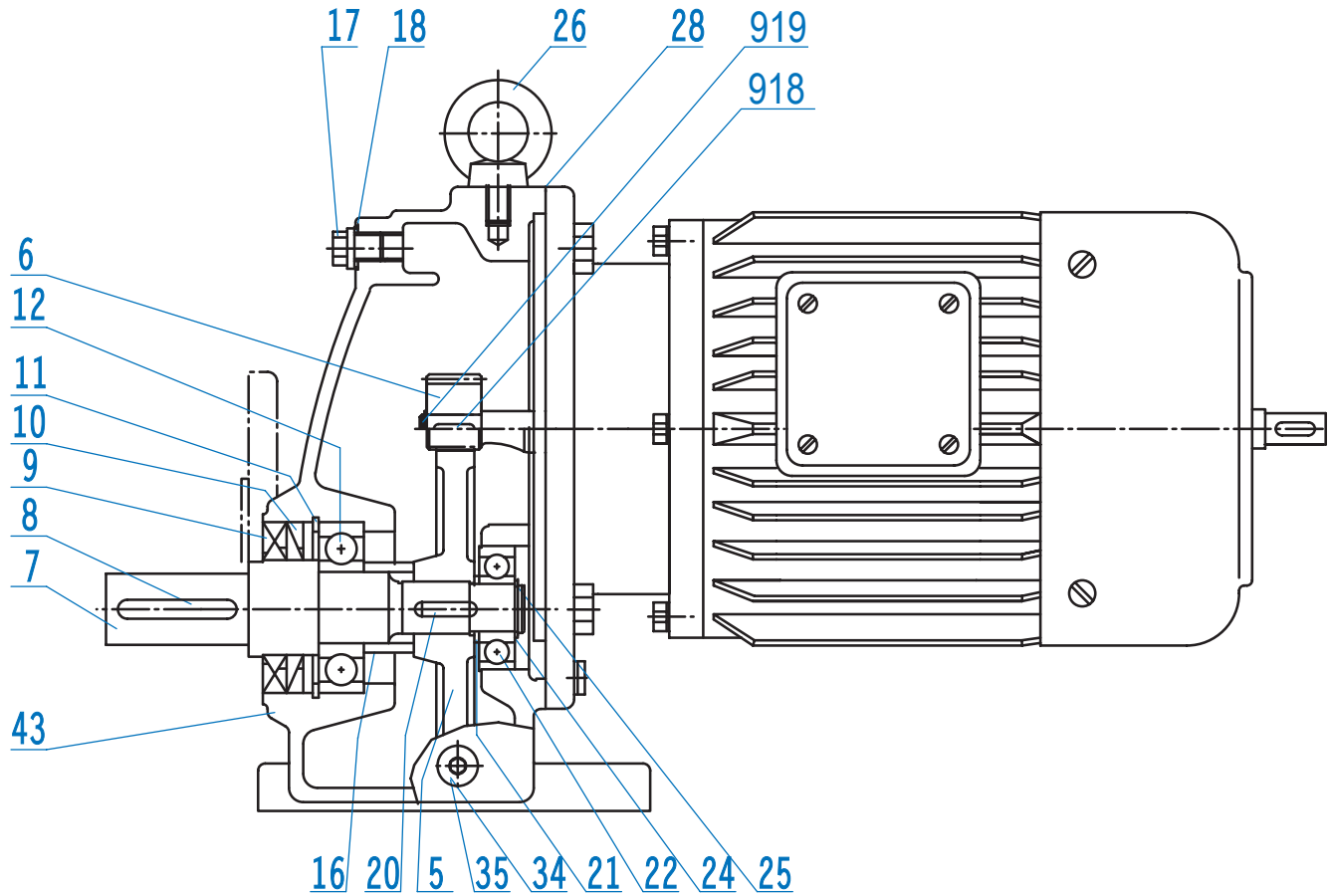


## SK 11E - SK 51E Foot Mount

5	Gear	16	Spacer	26	Flanged Eye Bolt
6	Pinion	17	Vent Plug	28	Gasket
7	Output Shaft	18	Seal	34	Drain Plug
8	Key	20	Key	35	Gasket
9	Oil Seal	21	Spacer	43	Gearcase
10	Oil Seal	22	Anti-Friction Bearing	918	Key
11	Snap Ring	24	Shim	919	Snap Ring
12	Anti-Friction Bearing	25	Snap Ring	990	Oil Level Plug



# HELICAL IN-LINE PARTS LIST DRAWINGS



## SK 11E - SK 51E Foot Mount

5	Gear	16	Spacer	26	Flanged Eye Bolt
6	Pinion	17	Vent Plug	28	Gasket
7	Output Shaft	18	Seal	34	Drain Plug
8	Key	20	Key	35	Gasket
9	Oil Seal	21	Spacer	43	Gearcase
10	Oil Seal	22	Anti-Friction Bearing	918	Key
11	Snap Ring	24	Shim	919	Snap Ring
12	Anti-Friction Bearing	25	Snap Ring		



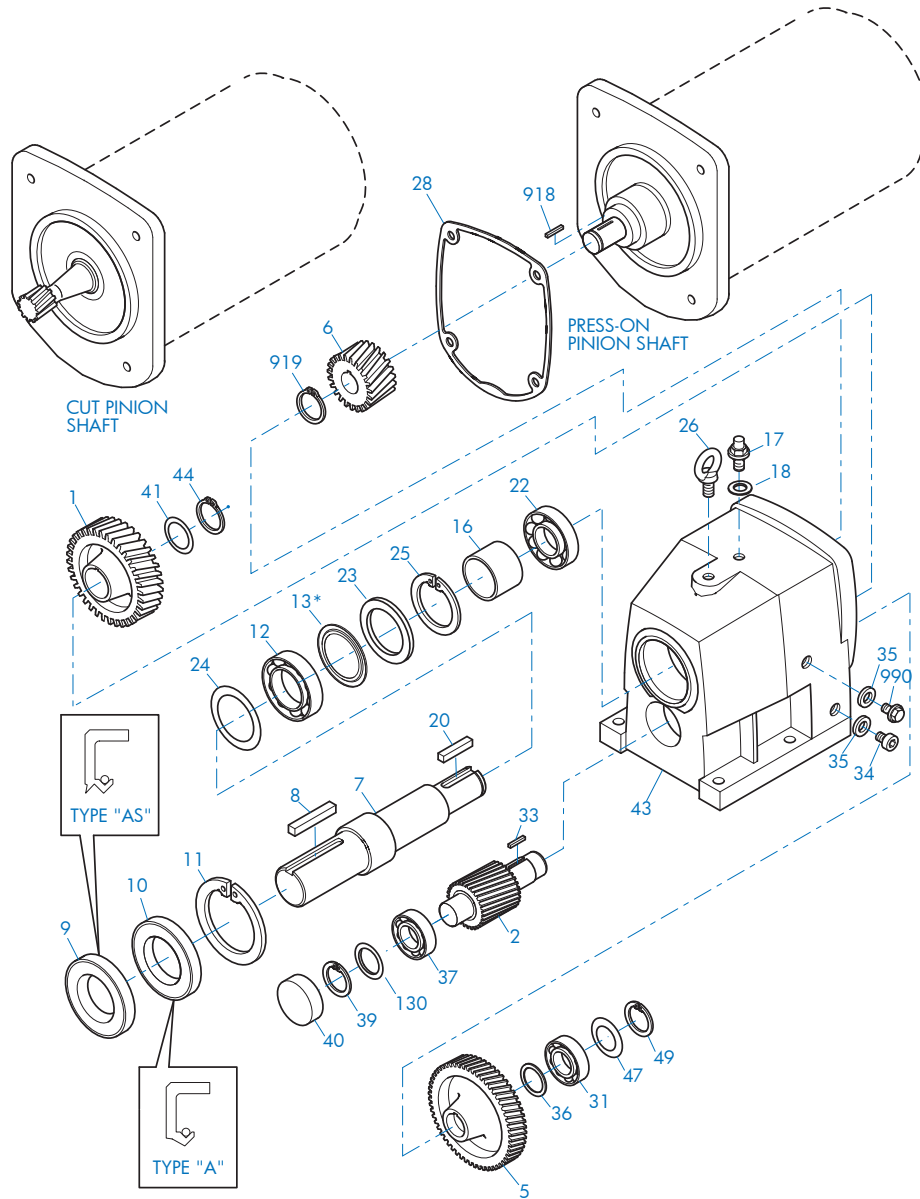
DRIVESYSTEMS

# HELICAL IN-LINE PARTS LIST DRAWINGS

RETAIN FOR FUTURE USE



U15100 - 3 of 12



## SK02 - SK52 Foot Mount

1	Gear	18	Seal	37	Anti-Friction Bearing
2	Pinion Shaft	20	Key	39	Snap Ring
5	Gear	22	Anti-Friction Bearing	40	Bore Plug
6	Pinion	23	Thrust Washer	41	Shim
7	Output Shaft	24	Shim	43	Gearcase
8	Key	25	Snap Ring	44	Snap Ring
9	Oil Seal	26	Flanged Eye Bolt	47	Shim
10	Oil Seal	28	Gasket	49	Snap Ring
11	Snap Ring	31	Anti-Friction Bearing	130	Shim
12	Anti-Friction Bearing	33	Key	918	Key
13	NILOS Ring*	34	Drain Plug	919	Snap Ring
16	Spacer	35	Gasket	990	Oil Level Plug
17	Vent Plug	36	Spacer		

\* Conditionally used part

**NORD Gear Limited**

Toll Free in Canada: 800.668.4378

**NORD Gear Corporation**

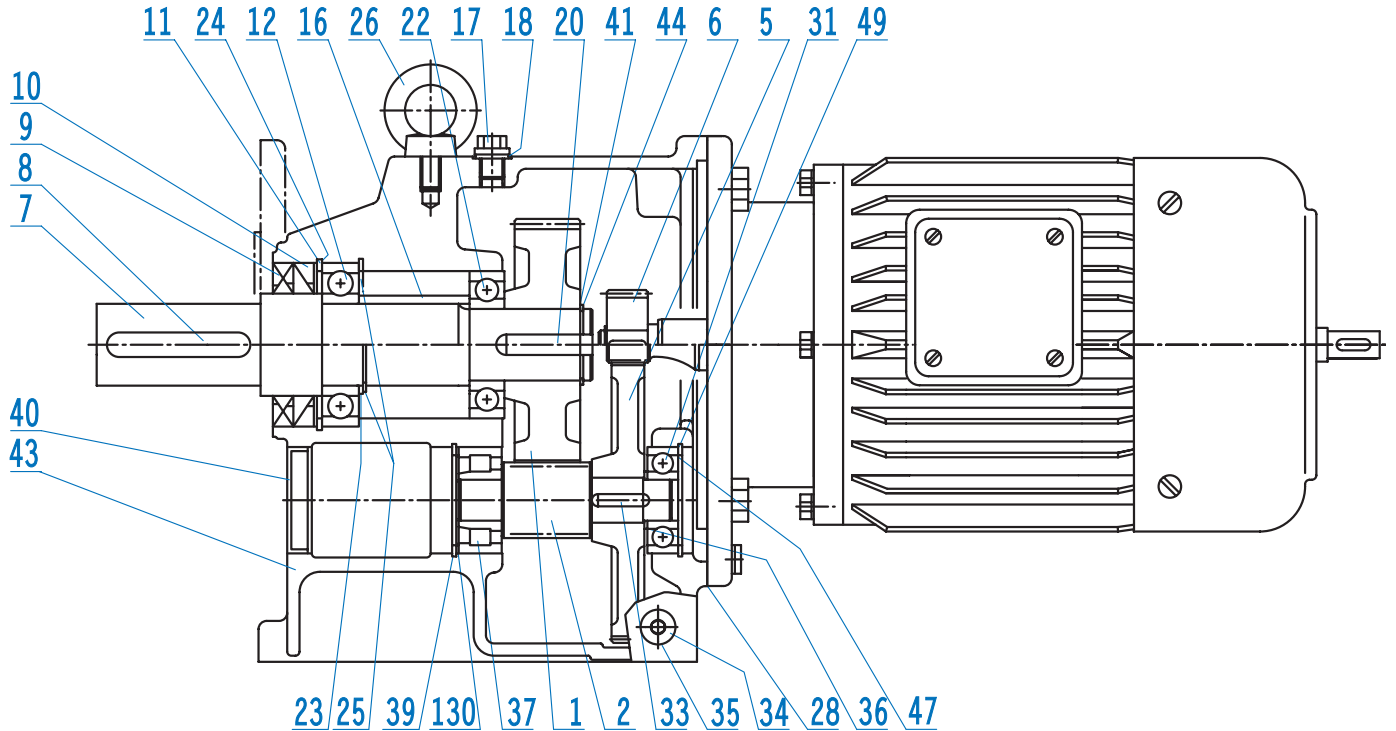
Toll Free in the United States: 888.314.6673

05.30.13

[www.nord.com/docs](http://www.nord.com/docs)



# HELICAL IN-LINE PARTS LIST DRAWINGS



## SK02 - SK52 Foot Mount

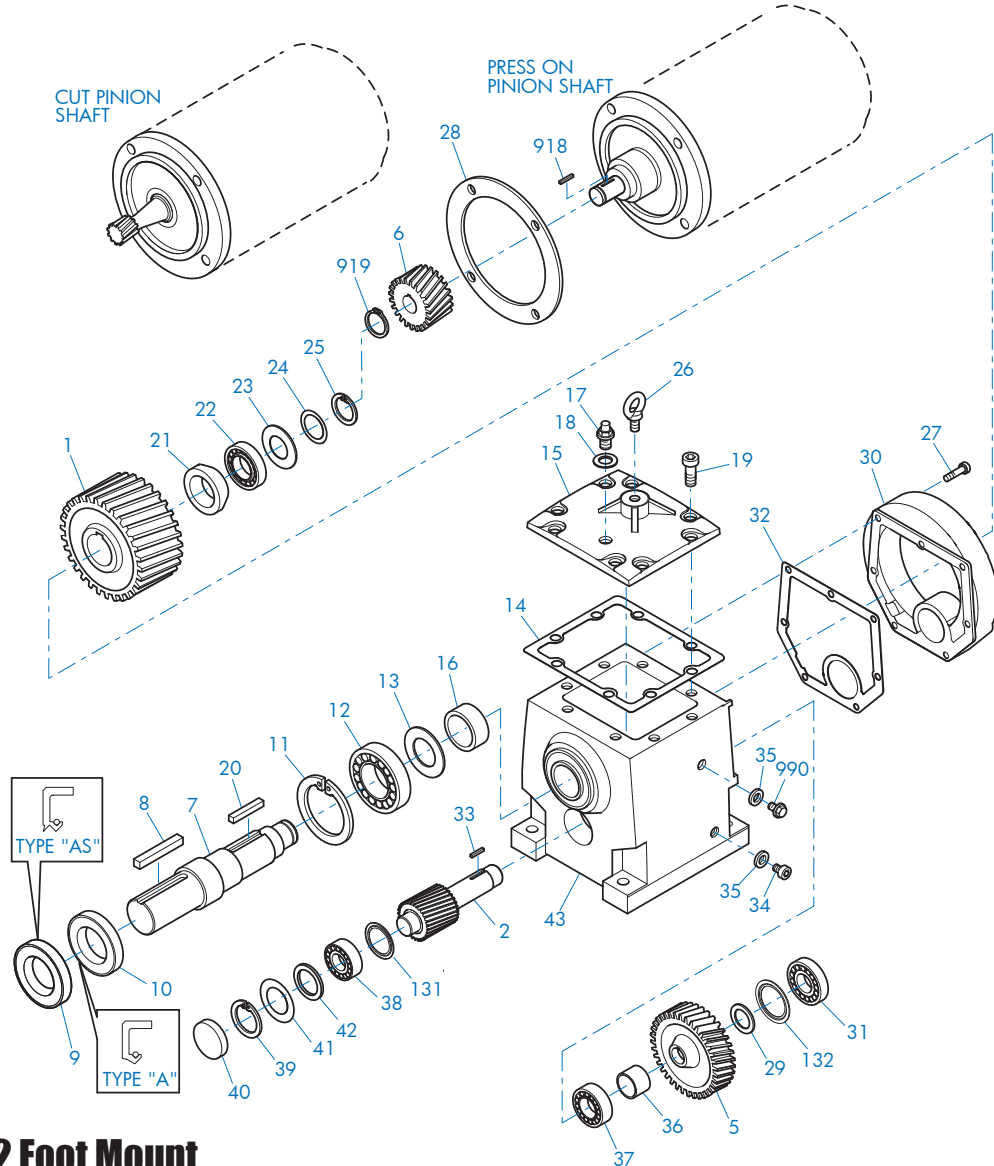
1	Gear	18	Seal	37	Anti-Friction Bearing
2	Pinion Shaft	20	Key	39	Snap Ring
5	Gear	22	Anti-Friction Bearing	40	Bore Plug
6	Pinion	23	Thrust Washer	41	Shim
7	Output Shaft	24	Shim	43	Gearcase
8	Key	25	Snap Ring	44	Snap Ring
9	Oil Seal	26	Flanged Eye Bolt	47	Shim
10	Oil Seal	28	Gasket	49	Snap Ring
11	Snap Ring	31	Anti-Friction Bearing	130	Shim
12	Anti-Friction Bearing	33	Key	918	Key
13	NILOS Ring*	34	Drain Plug	919	Snap Ring
16	Spacer	35	Gasket		
17	Vent Plug	36	Spacer		

\* Conditionally used part



# HELICAL IN-LINE PARTS LIST DRAWINGS

RETAIN FOR FUTURE USE



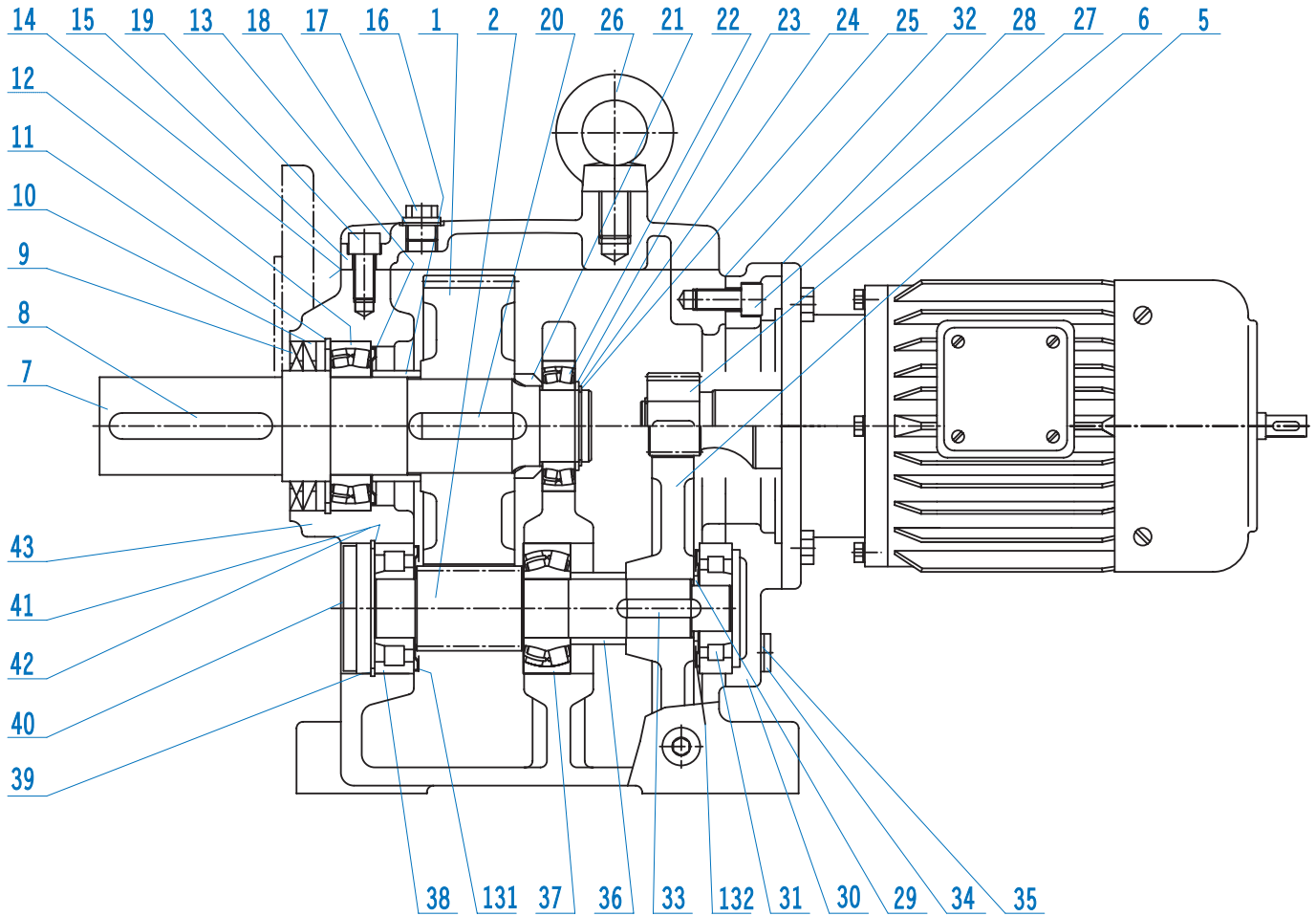
## SK62 - SK102 Foot Mount

1	Gear	19	Bolt	35	Gasket
2	Pinion Shaft	20	Key	36	Spacer
5	Gear	21	Spacer	37	Anti-Friction Bearing
6	Pinion	22	Anti-Friction Bearing	38	Anti-Friction Bearing
7	Output Shaft	23	Thrust Washer	39	Snap Ring
8	Key	24	Shim	40	Bore Plug
9	Oil Seal	25	Snap Ring	41	Shim
10	Oil Seal	26	Flanged Eye Bolt	42	Thrust Washer
11	Snap Ring	27	Bolt	43	Gearcase
12	Anti-Friction Bearing	28	Gasket	131	NILOS Ring
13	NILOS ring	29	Spacer	132	NILOS Ring
14	Gasket	30	Input Cover	918	Key
15	Inspection Cover	31	Anti-Friction Bearing	919	Snap Ring
16	Spacer	32	Gasket	990	Oil Level Plug
17	Vent Plug	33	Key		
18	Seal	34	Drain Plug		





# HELICAL IN-LINE PARTS LIST DRAWINGS

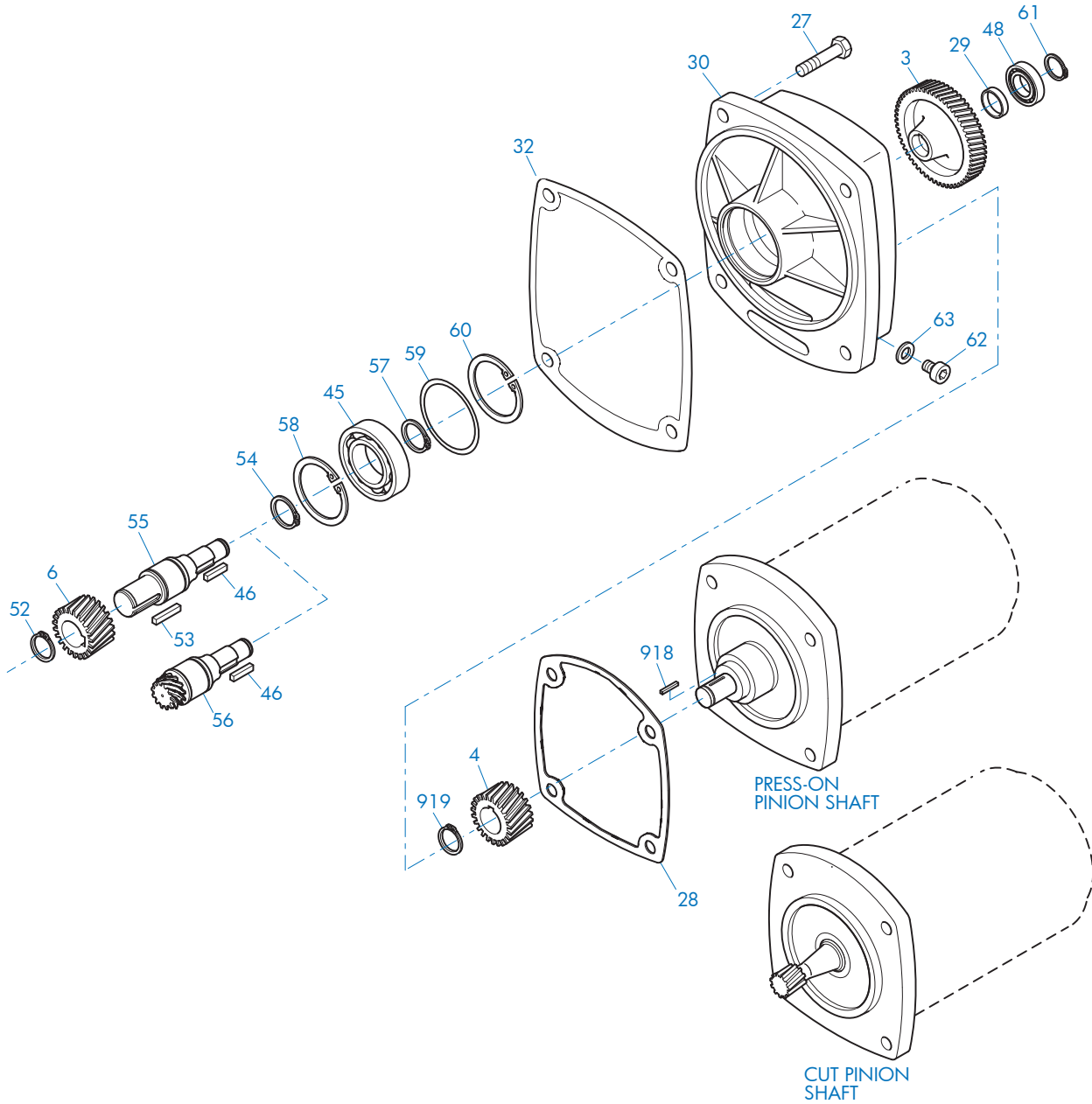


## SK62 - SK102 Foot Mount

1 Gear	18 Seal	33 Key
2 Pinion Shaft	19 Bolt	34 Drain Plug
5 Gear	20 Key	35 Gasket
6 Pinion	21 Spacer	36 Spacer
7 Output Shaft	22 Anti-Friction Bearing	37 Anti-Friction Bearing
8 Key	23 Thrust Washer	38 Anti-Friction Bearing
9 Oil Seal	24 Shim	39 Snap Ring
10 Oil Seal	25 Snap Ring	40 Bore Plug
11 Snap Ring	26 Flanged Eye Bolt	41 Shim
12 Anti-Friction Bearing	27 Bolt	42 Thrust Washer
13 NILOS ring*	28 Gasket	43 Gearcase
14 Gasket	29 Spacer	131 NILOS Ring*
15 Inspection Cover	30 Input Cover	132 NILOS Ring*
16 Spacer	31 Anti-Friction Bearing	918 Key
17 Vent Plug	32 Gasket	919 Snap Ring



# HELICAL IN-LINE PARTS LIST DRAWINGS

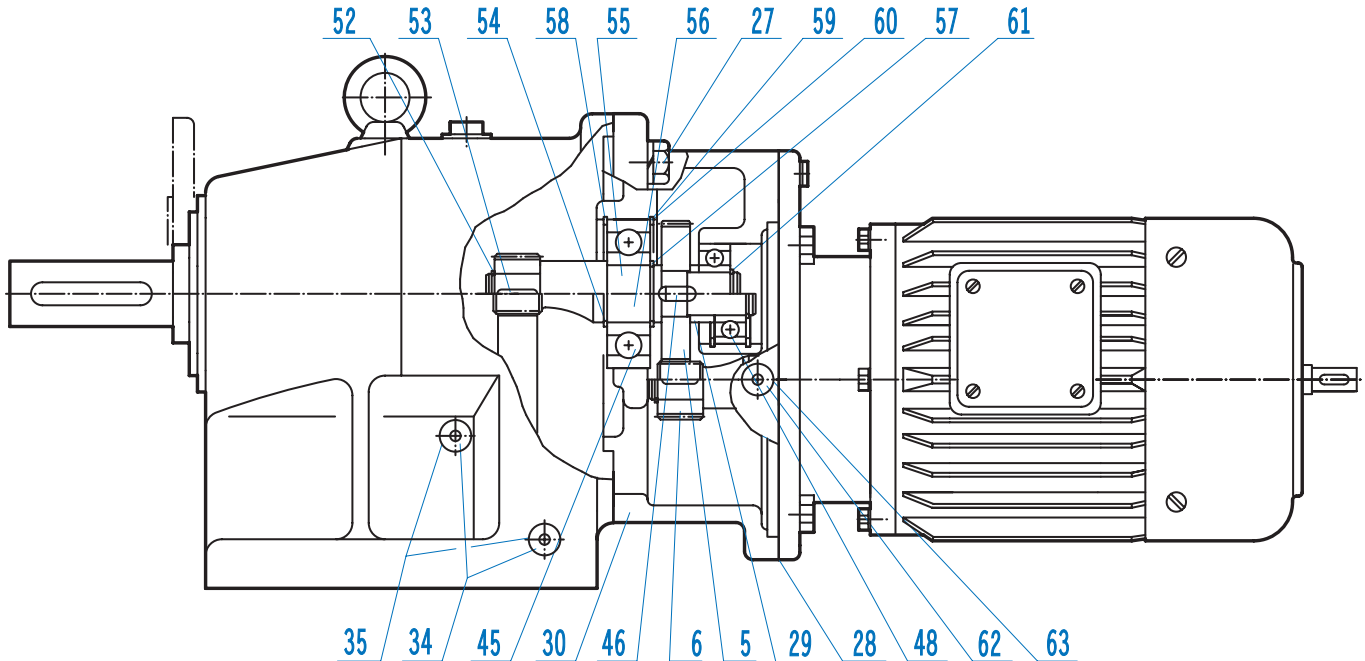


## SK03 - SK53 Third Stage Reduction Gear

3	Gear	46	Key	59	Shim
4	Pinion	48	Anti-Friction Bearing	60	Snap Ring
6	Pinion	52	Snap Ring	61	Snap Ring
27	Bolt	53	Key	62	Oil Plug
28	Gasket	54	Snap Ring	63	Gasket
29	Spacer	55	Intermediate Shaft, Plain	918	Key
30	Third Reduction Gearcase	56	Intermediate Shaft, Gearcut	919	Snap Ring
32	Gasket	57	Snap Ring		
45	Anti-Friction Bearing	58	Snap Ring		



# HELICAL IN-LINE PARTS LIST DRAWINGS

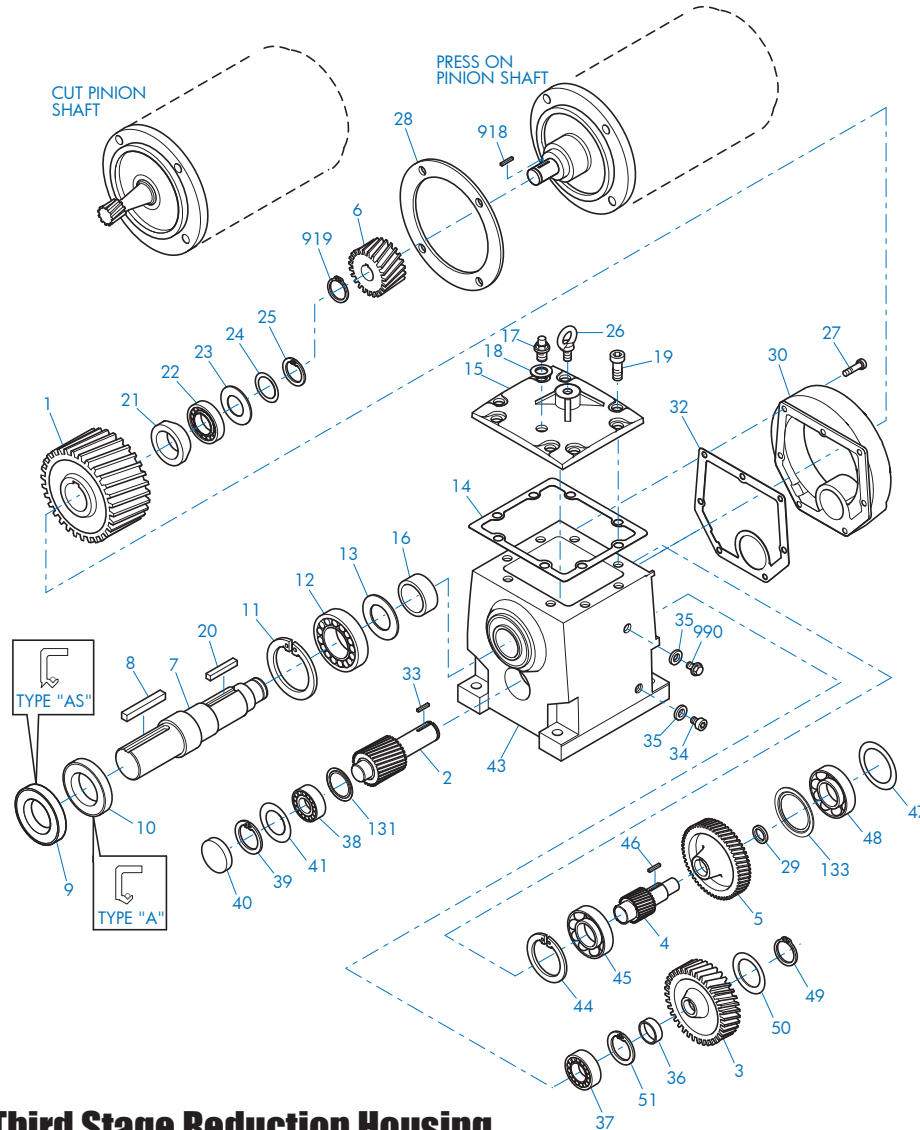


## SK03 - SK53 Using Third Stage Reduction Gear

3	Gear	46	Key	59	Shim
4	Pinion	48	Anti-Friction Bearing	60	Snap Ring
6	Pinion	52	Snap Ring	61	Snap Ring
27	Bolt	53	Key	62	Oil Plug
28	Gasket	54	Snap Ring	63	Gasket
29	Spacer	55	Intermediate Shaft, Plain	918	Key
30	Third Reduction Gearcase	56	Intermediate Shaft, Gearcut	919	Snap Ring
32	Gasket	57	Snap Ring		
45	Anti-Friction Bearing	58	Snap Ring		



# HELICAL IN-LINE PARTS LIST DRAWINGS

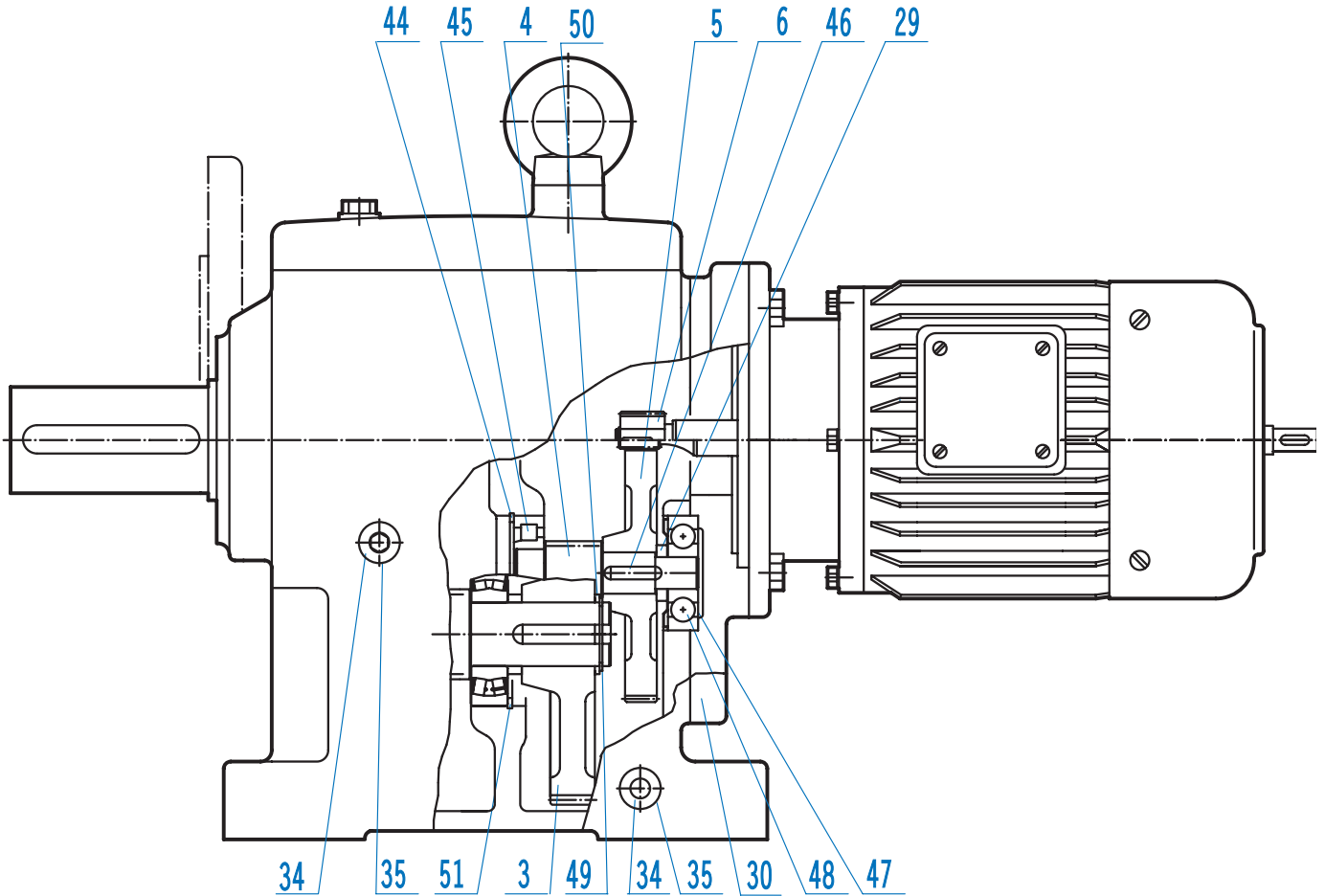


## SK63 - SK103 Third Stage Reduction Housing

1	Gear	19	Bolt	38	Anti-Friction Bearing
2	Pinion Shaft	20	Key	39	Snap Ring
3	Gear	21	Spacer	40	Bore Plug
4	Pinion Shaft	22	Anti-Friction Bearing	41	Shim
5	Gear	23	Thrust Washer	43	Gearcase
6	Pinion	24	Shim	44	Snap Ring
7	Output Shaft	25	Snap Ring	45	Anti-Friction Bearing
8	Key	26	Flanged Eye Bolt	46	Key
9	Oil Seal	27	Bolt	47	Shim
10	Oil Seal	28	Gasket	48	Bearing
11	Snap Ring	29	Spacer	49	Snap Ring
12	Anti-Friction Bearing	30	Input Cover	50	Thrust Washer
13	NILOS Ring	32	Gasket	51	Snap Ring
14	Gasket	33	Key	131	NILOS Ring
15	Inspection Cover	34	Drain plug	133	NILOS Ring
16	Spacer	35	Gasket	918	Key
17	Vent Plug	36	Spacer	919	Snap Ring
18	Seal	37	Anti-Friction Bearing	990	Oil Level Plug



# HELICAL IN-LINE PARTS LIST DRAWINGS



## SK63 - SK103 Foot Mount

3	Gear	32	Gasket	47	Shim
4	Pinion Shaft	33	Key	48	Bearing
5	Gear	34	Drain plug	49	Snap Ring
6	Pinion	35	Gasket	50	Thrust Washer
28	Gasket	44	Snap Ring	51	Snap Ring
29	Spacer	45	Anti-Friction Bearing	133	NILOS Ring
30	Input Cover	46	Key		



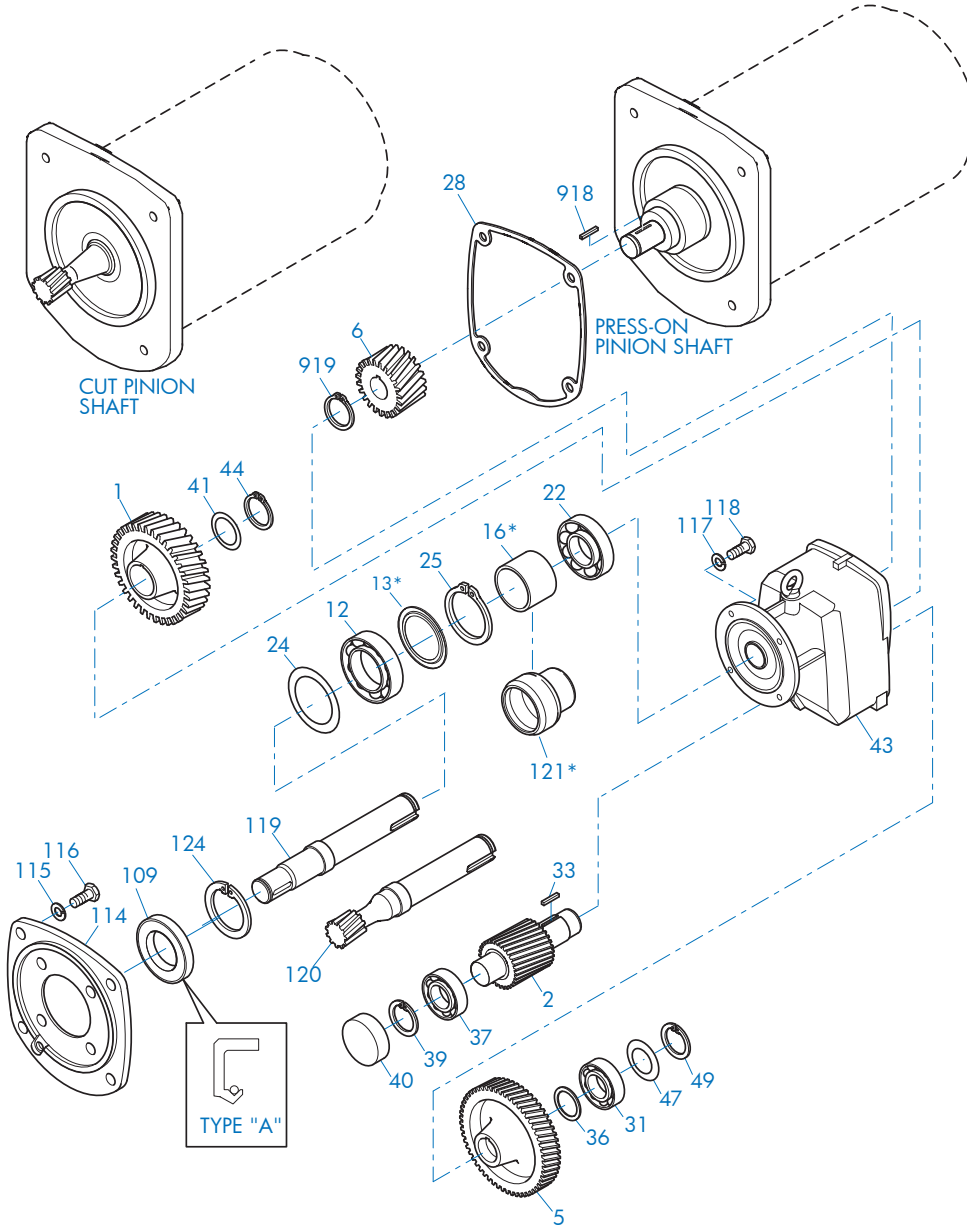
DRIVESYSTEMS

# HELICAL IN-LINE PARTS LIST DRAWINGS

RETAIN FOR FUTURE USE



U15100 - 11 of 12



## SK12/02 - SK103/52 Input Compound Reduction

1	Gear	33	Key	115	Lock Washer
2	Pinion Shaft	36	Spacer	116	Bolt
5	Gear	37	Anti-Friction Bearing	117	Lock Washer
6	Pinion	39	Snap Ring	118	Bolt
12	Anti-Friction Bearing	40	Bore Plug	119	Intermediate Shaft, Plain
13	Nilos Ring*	41	Shim	120	Intermediate Shaft, Gearcut
16	Spacer*	43	Gearcase	121	Bearing Sleeve*
22	Anti-Friction Bearing	44	Snap Ring	124	Snap Ring
24	Shim	47	Shim	918	Key
25	Snap Ring	49	Snap Ring	919	Snap Ring
28	Gasket	109	Oil Seal		
31	Anti-Friction Bearing	114	Intermediate Flange		

\* Conditionally used part

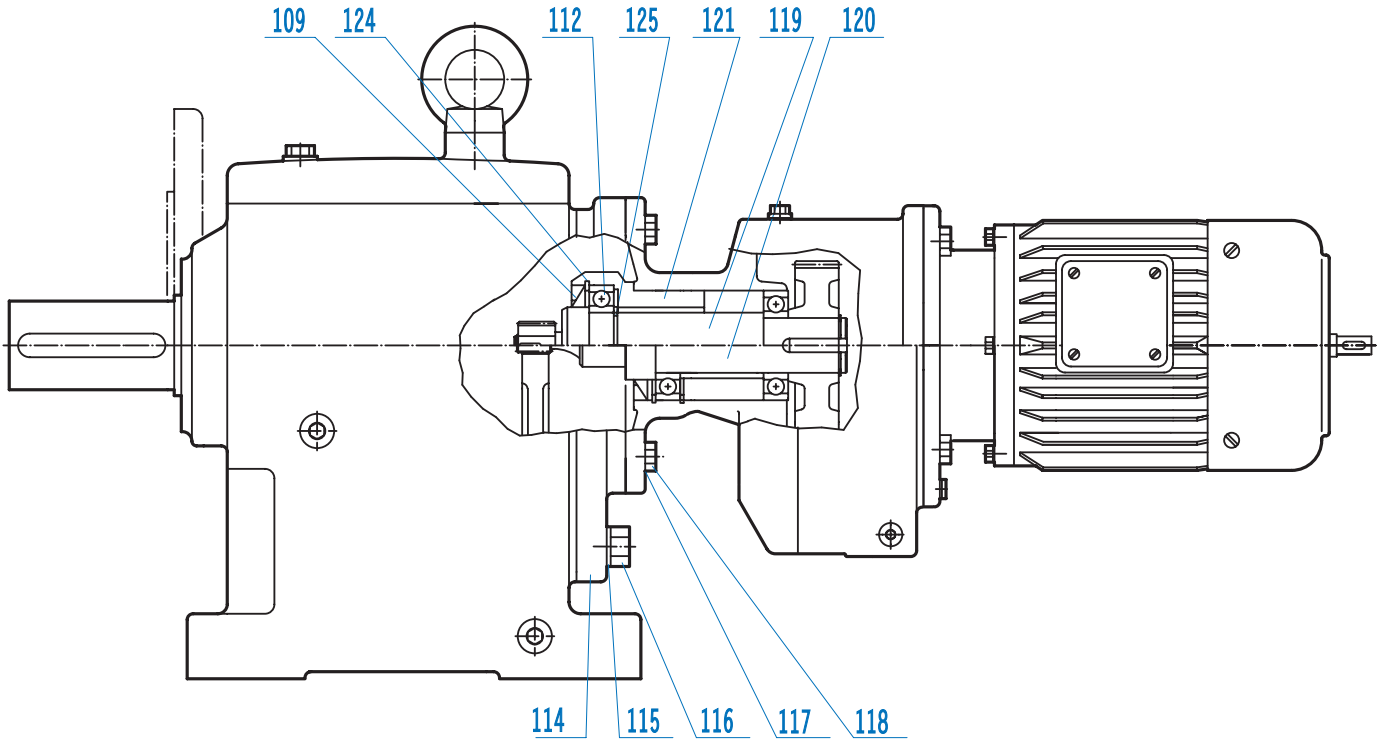
**NORD Gear Limited**  
Toll Free in Canada: 800.668.4378

**NORD Gear Corporation**  
Toll Free in the United States: 888.314.6673





# HELICAL IN-LINE PARTS LIST DRAWINGS



## SK12/02 - SK103/52 Input Compound Reduction

12	Anti-Friction Bearing	115	Lock Washer	120	Intermediate Shaft, Gearcut
13	Nilos Ring*	116	Bolt	121	Bearing Sleeve*
16	Spacer*	117	Lock Washer	124	Snap Ring
25	Snap Ring	118	Bolt		
109	Oil Seal	119	Intermediate Shaft, Plain		
114	Intermediate Flange				

\* Conditionally used part



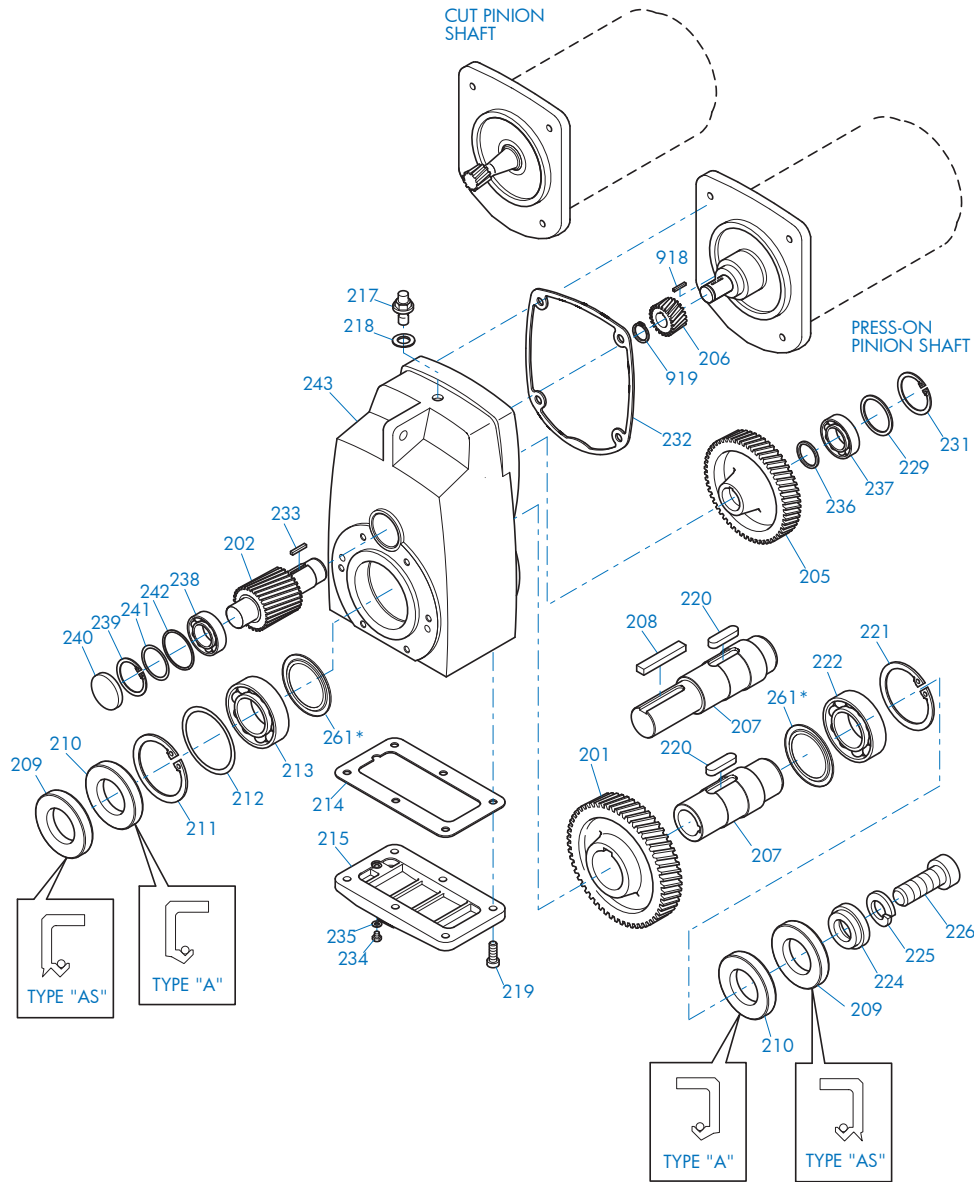
DRIVESYSTEMS

# CLINCHER™ PARTS LIST DRAWINGS

RETAIN FOR FUTURE USE



U15200 - 1 of 12



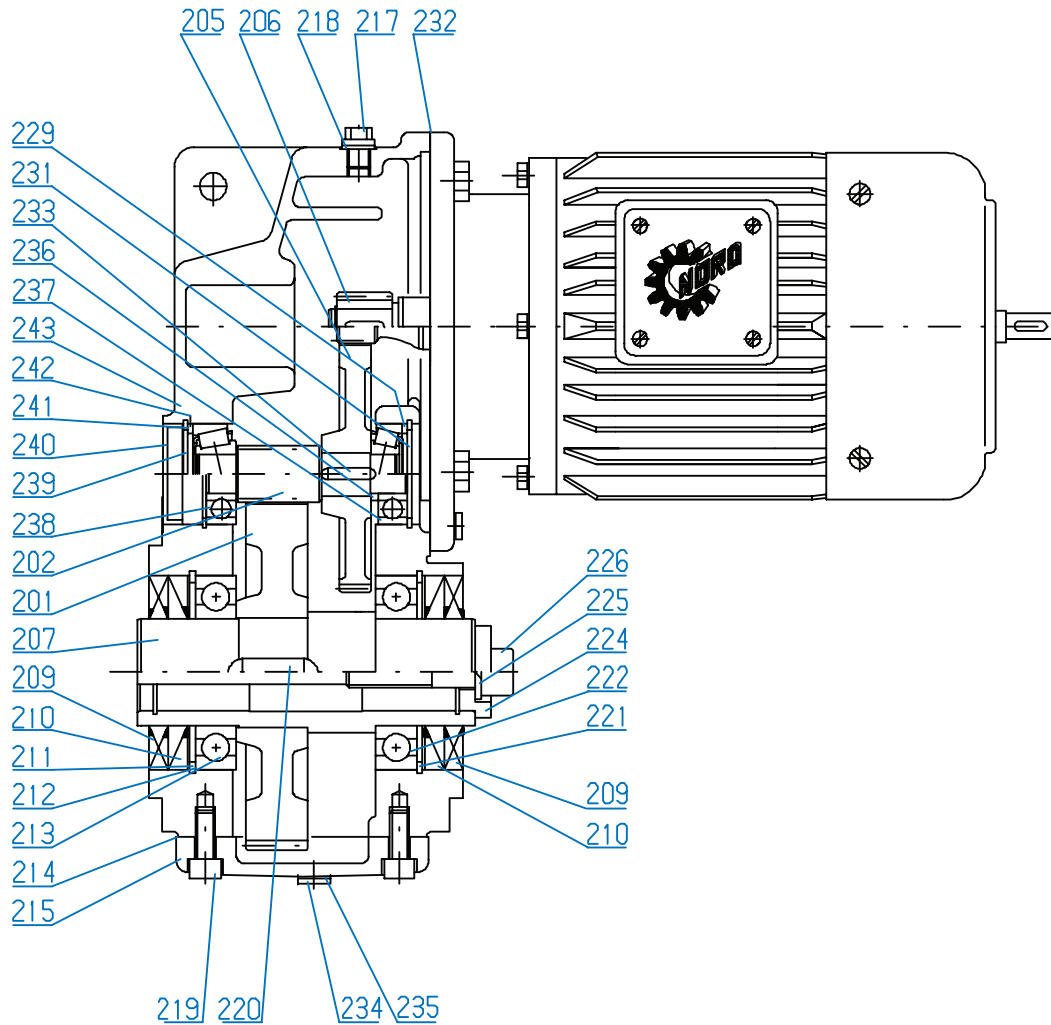
## SK 0182NB - SK 5282

201 Gear	217 Vent Plug	234 Drain Plug
202 Pinion Shaft	218 Gasket	235 Gasket
205 Gear	219 Bolt	236 Thrust Washer
206 Pinion	220 Key	237 Anti-Friction Bearing
207 Output Shaft	221 Snap Ring	238 Anti-Friction Bearing
208 Key	222 Anti-Friction Bearing	239 Snap Ring
209 Oil Seal	224 Retaining Washer	240 Bore Plug
210 Oil Seal	225 Lock Washer	241 Shim
211 Snap Ring	226 Bolt	242 Thrust Washer
212 Shim	229 Thrust Washer	243 Gearcase
213 Anti-Friction Bearing	231 Snap Ring	261 Nilos Ring*
214 Gasket	232 Gasket	918 Key
215 Inspection Cover	233 Key	919 Snap Ring

\* Conditionally used part

**NORD Gear Limited**  
Toll Free in Canada: 800.668.4378

**NORD Gear Corporation**  
Toll Free in the United States: 888.314.6673



## SK 0182NB - SK 5282

201 Gear	217 Vent Plug	233 Key
202 Pinion Shaft	218 Gasket	234 Drain Plug
205 Gear	219 Bolt	235 Gasket
206 Pinion	220 Key	236 Thrust Washer
207 Output Shaft	221 Snap Ring	237 Anti-Friction Bearing
209 Oil Seal	222 Anti-Friction Bearing	238 Anti-Friction Bearing
210 Oil Seal	224 Retaining Washer	239 Snap Ring
211 Snap Ring	225 Lock Washer	240 Bore Plug
212 Shim	226 Bolt	241 Shim
213 Anti-Friction Bearing	229 Thrust Washer	242 Thrust Washer
214 Gasket	231 Snap Ring	243 Gearcase
215 Inspection Cover	232 Gasket	261 Nilos Ring*

\* Conditionally used part



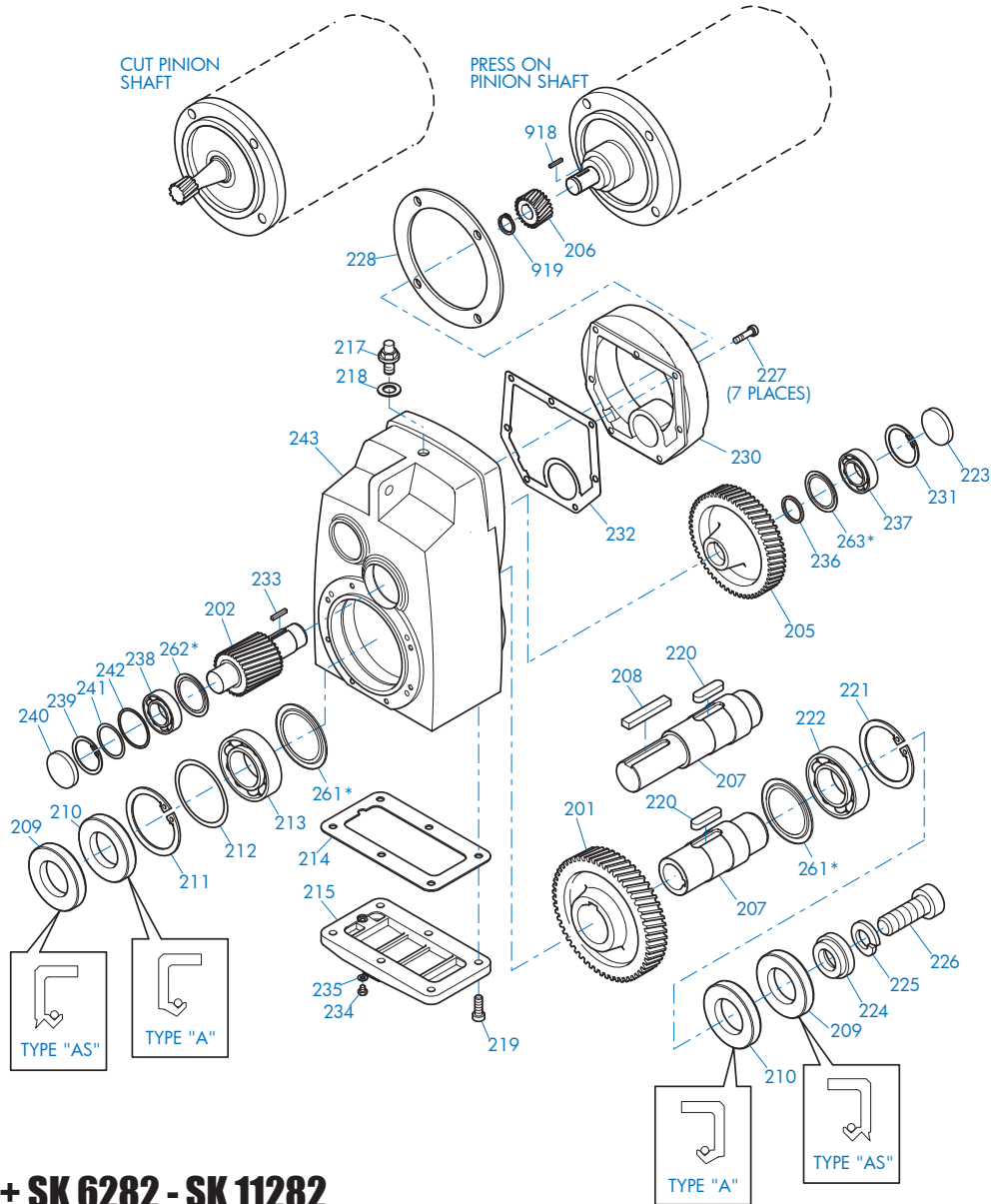
DRIVESYSTEMS

# CLINCHER™ PARTS LIST DRAWINGS



U15200 - 3 of 12

RETAIN FOR FUTURE USE



## SK 0282NB + SK 6282 - SK 11282

201 Gear	219 Bolt	236 Thrust Washer
202 Pinion Shaft	220 Key	237 Anti-Friction Bearing
205 Gear	221 Snap Ring	238 Anti-Friction Bearing
206 Pinion	222 Anti-Friction Bearing	239 Snap Ring
207 Output Shaft	224 Retaining Washer	240 Bore Plug
208 Key	225 Lock Washer	241 Shim
209 Oil Seal	226 Bolt	242 Thrust Washer
210 Oil Seal	227 Bolt	243 Gear case
211 Snap Ring	228 Gasket	261 Nilos Ring*
212 Shim	230 Input Cover	262 Nilos Ring*
213 Anti-Friction Bearing	231 Snap Ring	263 Nilos Ring*
214 Gasket	232 Gasket	918 Key
215 Inspection Cover	233 Key	919 Snap Ring
217 Vent Plug	234 Drain Plug	
218 Gasket	235 Gasket	

\* Conditionally used part

**NORD Gear Limited**

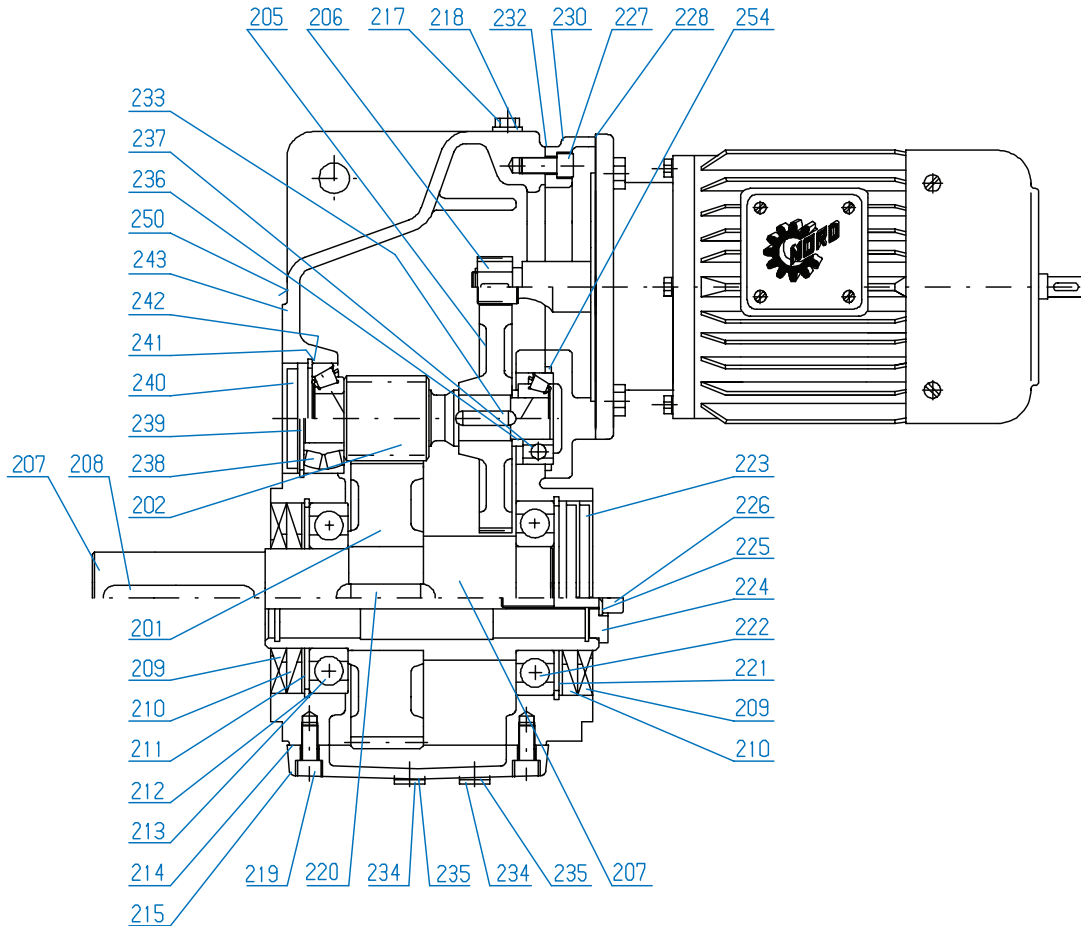
Toll Free in Canada: 800.668.4378

**NORD Gear Corporation**

Toll Free in the United States: 888.314.6673



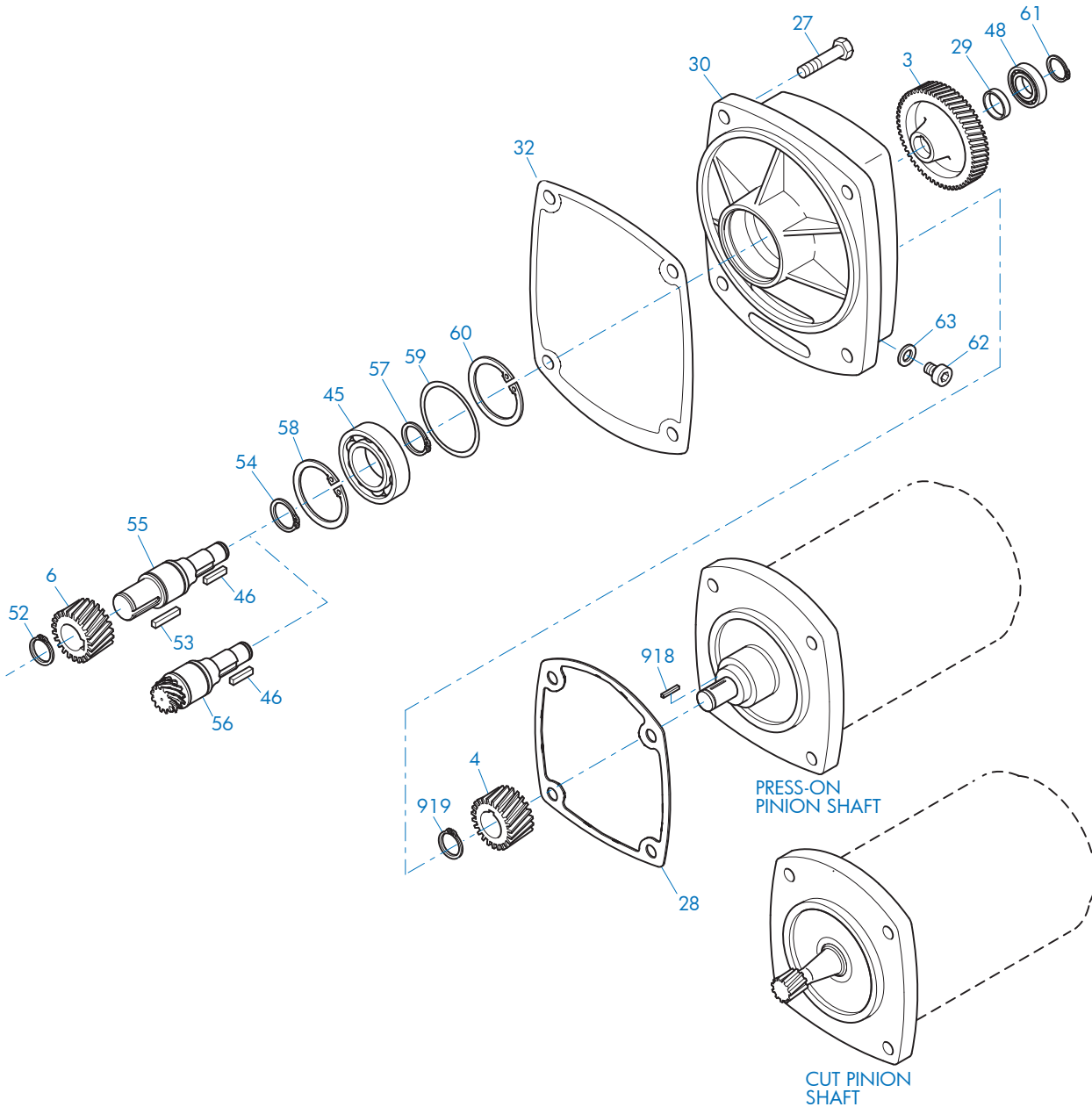
# CLINCHER™ PARTS LIST DRAWINGS



## SK 0282NB + SK 6282 - SK 11282

201 Gear	218 Gasket	234 Drain Plug
202 Pinion Shaft	219 Bolt	235 Gasket
205 Gear	220 Key	236 Thrust Washer
206 Pinion	221 Snap Ring	237 Anti-Friction Bearing
207 Output Shaft	222 Anti-Friction Bearing	238 Anti-Friction Bearing
208 Key	223 Bore Plug	239 Snap Ring
209 Oil Seal	224 Retaining Washer	240 Bore Plug
210 Oil Seal	225 Lock Washer	241 Shim
211 Snap Ring	226 Bolt	242 Thrust Washer
212 Shim	227 Bolt	243 Gear case
213 Anti-Friction Bearing	228 Gasket	250 Bore Plug
214 Gasket	230 Input Cover	261 Nilos Ring*
215 Inspection Cover	232 Gasket	262 Nilos Ring*
217 Vent Plug	233 Key	263 Nilos Ring*

\* Conditionally used part



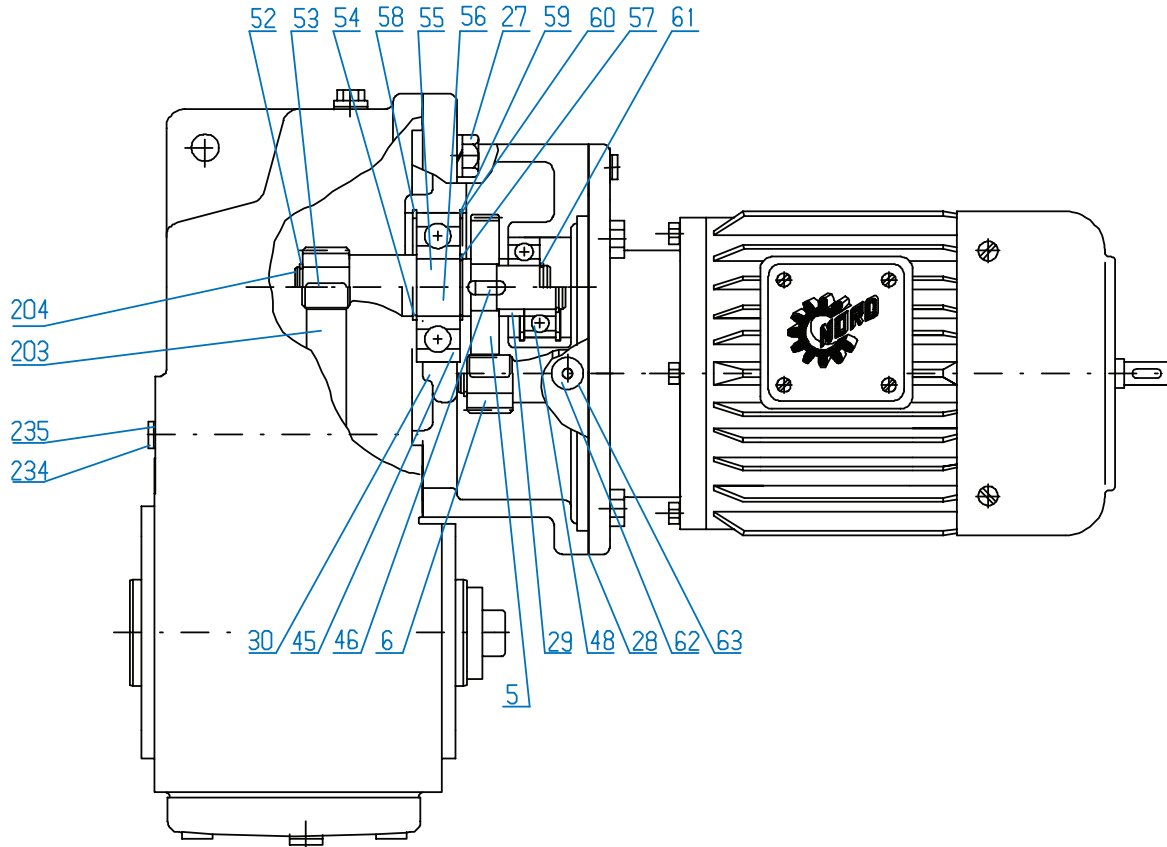
## SK 2382 - SK 5382 Third Stage Reduction Housing

3	Gear	46	Key	59	Shim
4	Pinion	48	Anti-Friction Bearing	60	Snap Ring
6	Pinion	52	Snap Ring	61	Snap Ring
27	Bolt	53	Key	62	Oil Plug
28	Gasket	54	Snap Ring	63	Gasket
29	Spacer	55	Intermediate Shaft, Plain	918	Key
30	Third Reduction Gearcase	56	Intermediate Shaft, Gearcut	919	Snap Ring
32	Gasket	57	Snap Ring		
45	Anti-Friction Bearing	58	Snap Ring		





# CLINCHER™ PARTS LIST DRAWINGS



## SK 2382 - SK 5382 Third Stage Reduction Housing

3	Gear	46	Key	59	Shim
4	Pinion	48	Anti-Friction Bearing	60	Snap Ring
6	Pinion	52	Snap Ring	61	Snap Ring
27	Bolt	53	Key	62	Oil Plug
28	Gasket	54	Snap Ring	63	Gasket
29	Spacer	55	Intermediate Shaft, Plain	203	Gear
32	Gasket	56	Intermediate Shaft, Gearcut	204	Pinion Shaft
30	Third Reduction Gearcase	57	Snap Ring	234	Oil Plug
45	Anti-Friction Bearing	58	Snap Ring	235	Gasket



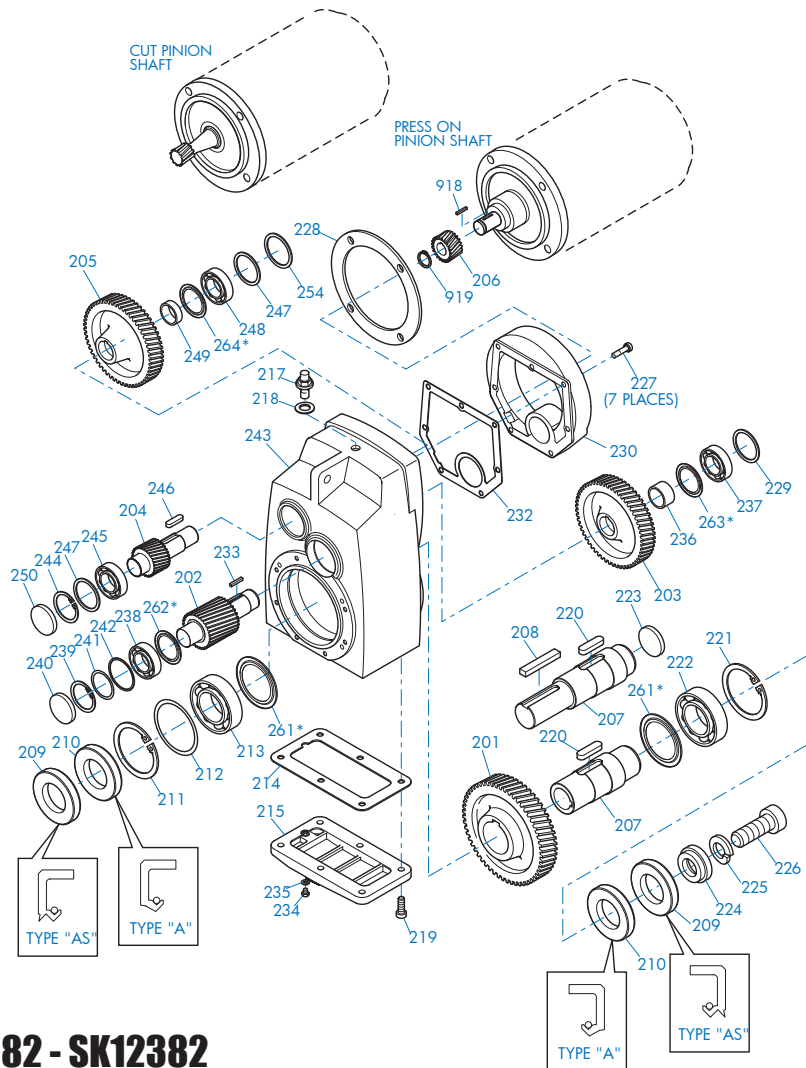
DRIVESYSTEMS

# CLINCHER™ PARTS LIST DRAWINGS

RETAIN FOR FUTURE USE



U15200 - 7 of 12



## SK 1382 NB + SK 6382 - SK12382

201 Gear	221 Snap Ring	241 Shim
202 Pinion Shaft	222 Anti-Friction Bearing	242 Thrust Washer
203 Gear	223 Bore Plug	243 Gearcase
204 Pinion Shaft	224 Retaining Washer	244 Snap Ring
205 Gear	225 Lock Washer	245 Anti-Friction Bearing
206 Pinion	226 Bolt	246 Key
207 Output Shaft	227 Bolt	247 Shim
208 Key	228 Gasket	248 Anti-Friction Bearing
209 Oil Seal	229 Thrust Washer	249 Spacer
210 Oil Seal	230 Input Cover	250 Bore Plug
211 Snap Ring	232 Gasket	254 Thrust Washer
212 Shim	233 Key	261 Nilos Ring*
213 Anti-Friction Bearing	234 Drain Plug	262 Nilos Ring*
214 Gasket	235 Gasket	263 Nilos Ring*
215 Inspection Cover	236 Thrust Washer	264 Nilos Ring*
217 Vent Plug	237 Anti-Friction Bearing	918 Key
218 Gasket	238 Anti-Friction Bearing	919 Snap Ring
219 Bolt	239 Snap Ring	
220 Key	240 Bore Plug	

\* Conditionally used part

**NORD Gear Limited**

Toll Free in Canada: 800.668.4378

**NORD Gear Corporation**

Toll Free in the United States: 888.314.6673



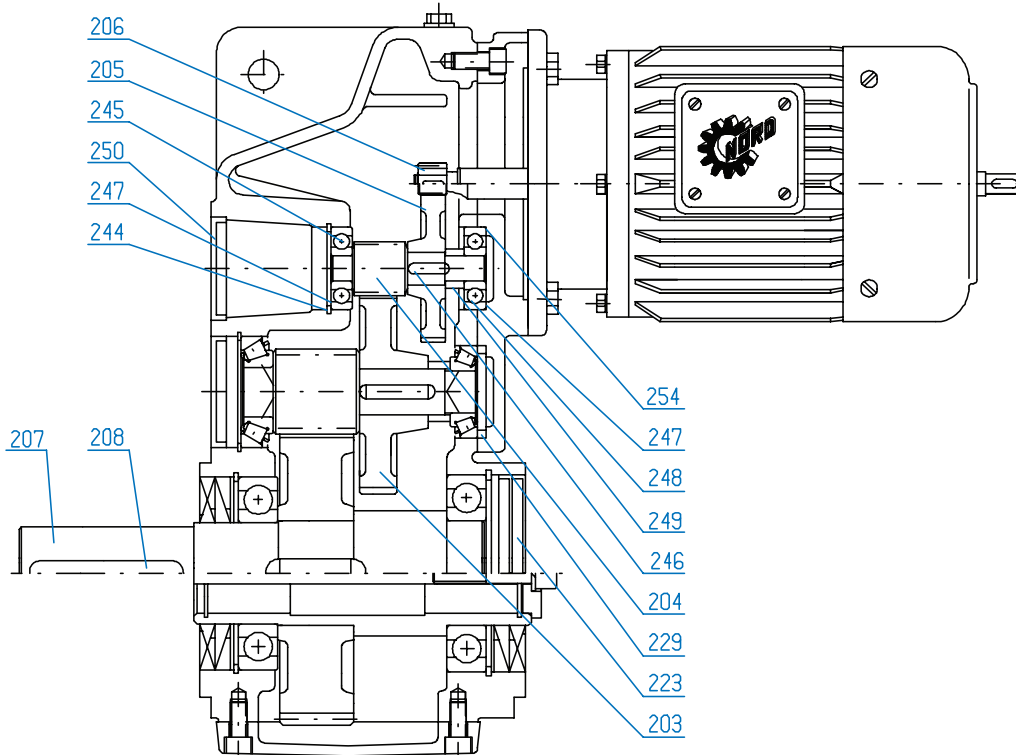
DRIVESYSTEMS

# CLINCHER™ PARTS LIST DRAWINGS

RETAIN FOR FUTURE USE



U15200 - 8 of 12



## SK 1382 NB + SK 6382 - SK12382

203 Gear	229 Thrust Washer	250 Bore Plug
204 Pinion Shaft	244 Snap Ring	254 Thrust Washer
205 Gear	245 Anti-Friction Bearing	261 Nilos Ring*
206 Pinion	246 Key	262 Nilos Ring*
207 Output Shaft	247 Shim	263 Nilos Ring*
208 Key	248 Anti-Friction Bearing	264 Nilos Ring*
223 Bore Plug	249 Spacer	

\* Conditionally used part

**NORD Gear Limited**

Toll Free in Canada: 800.668.4378

**NORD Gear Corporation**

Toll Free in the United States: 888.314.6673



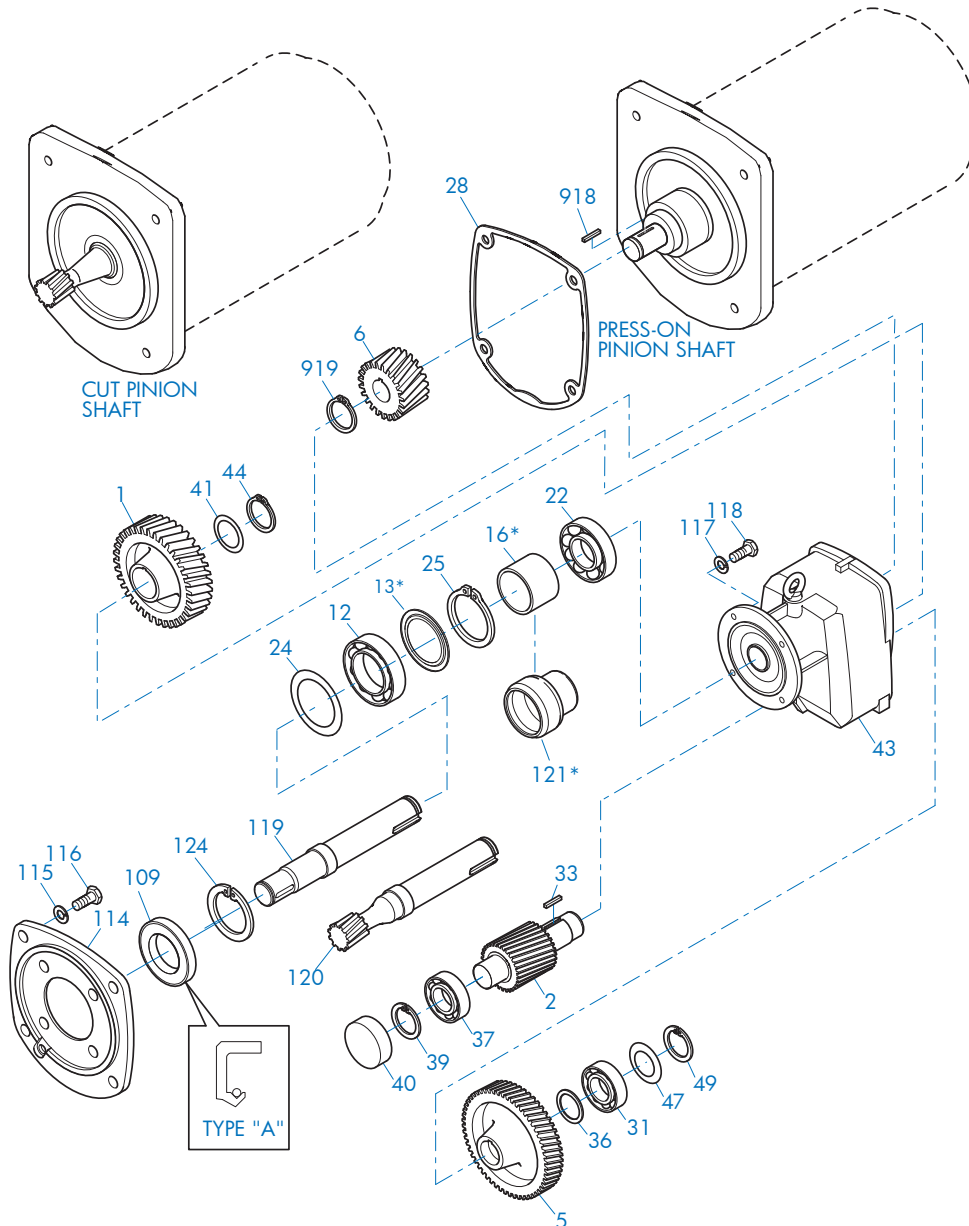
DRIVESYSTEMS

# CLINCHER™ PARTS LIST DRAWINGS

RETAIN FOR FUTURE USE



U15200 - 9 of 12



## SK1282/02 - SK11382/52 Multi-stage Reduction Unit

1	Gear	33	Key	115	Lock Washer
2	Pinion Shaft	36	Spacer	116	Bolt
5	Gear	37	Anti-Friction Bearing	117	Lock Washer
6	Pinion	39	Snap Ring	118	Bolt
12	Anti-Friction Bearing	40	Bore Plug	119	Intermediate Shaft, Plain
13	Nilos Ring*	41	Shim	120	Intermediate Shaft, Gearcut
16	Spacer*	43	Gearcase	121	Bearing Sleeve*
22	Anti-Friction Bearing	44	Snap Ring	124	Snap Ring
24	Shim	47	Shim	918	Key
25	Snap Ring	49	Snap Ring	919	Snap Ring
28	Gasket	109	Oil Seal		
31	Anti-Friction Bearing	114	Intermediate Flange		

\* Conditionally used part

**NORD Gear Limited**

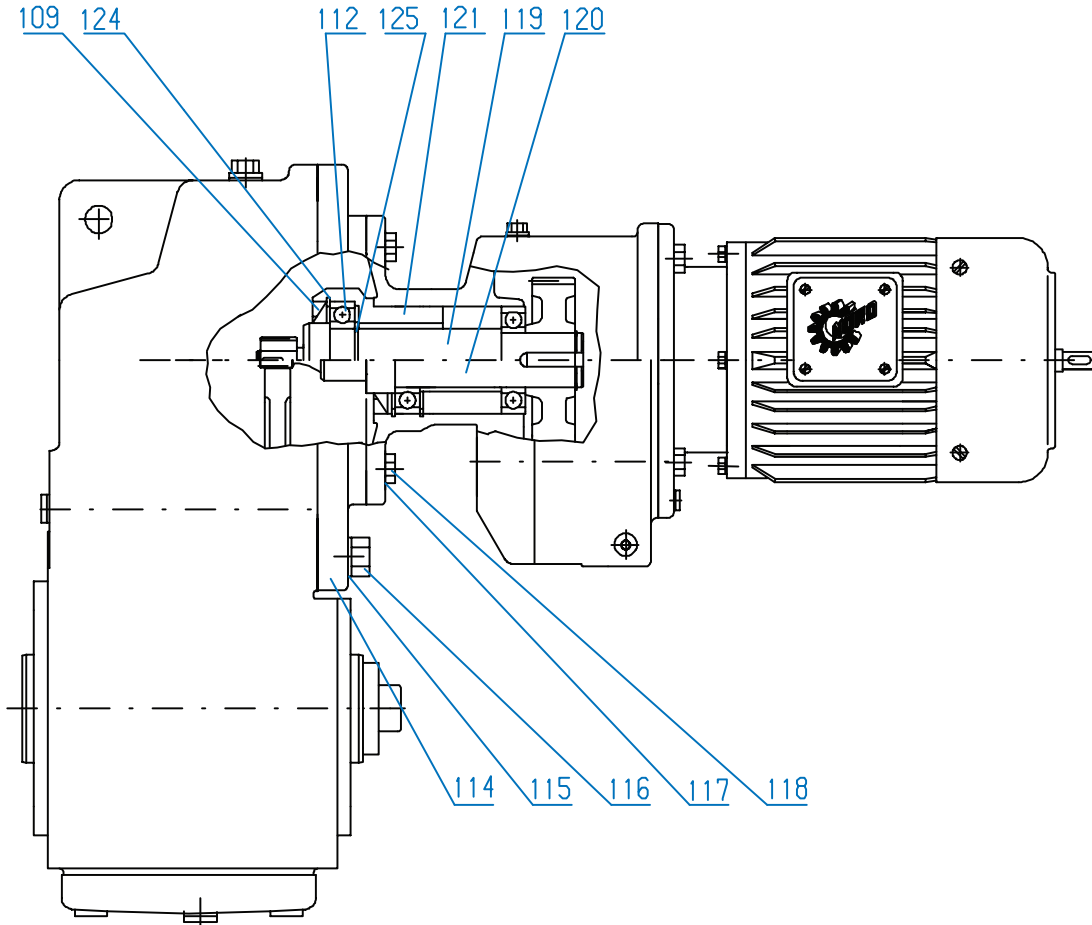
Toll Free in Canada: 800.668.4378

**NORD Gear Corporation**

Toll Free in the United States: 888.314.6673



# CLINCHER™ PARTS LIST DRAWINGS



## SK 1282/02 - SK 11382/52

12 Anti-friction Bearing	114 Intermediate Flange	119 Intermediate Shaft, Plain
13 Nilos Ring*	115 Lock Washer	120 Intermediate Shaft, Gearcut
16 Spacer	116 Bolt	121 Bearing Sleeve
25 Snap Ring	117 Lock Washer	124 Snap Ring
109 Oil Seal	118 Bolt	

\* Conditionally used part



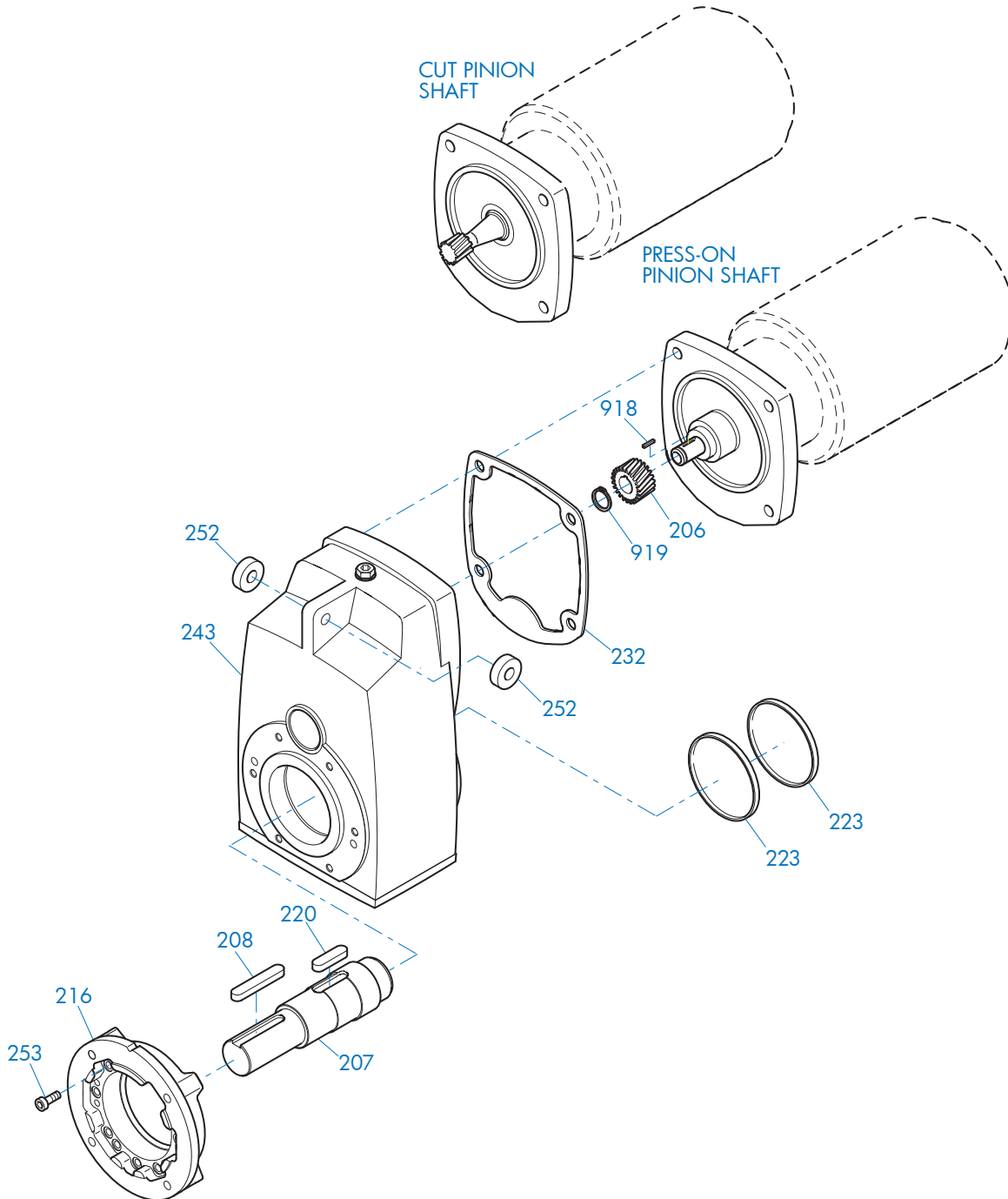
DRIVESYSTEMS

# CLINCHER™ PARTS LIST DRAWINGS

RETAIN FOR FUTURE USE



U15200 - 11 of 12



## SK 0182NB - SK 11282 & SK 1382 - SK 11382

206 Pinion	220 Key	252 Rubber Buffer
207 Output Shaft	223 Bore Plug	253 Bolt
208 Key	232 Gasket	918 Key
216 Flange	243 Gearcase	919 Snap Ring

**NORD Gear Limited**

Toll Free in Canada: 800.668.4378

06.09.09

**NORD Gear Corporation**

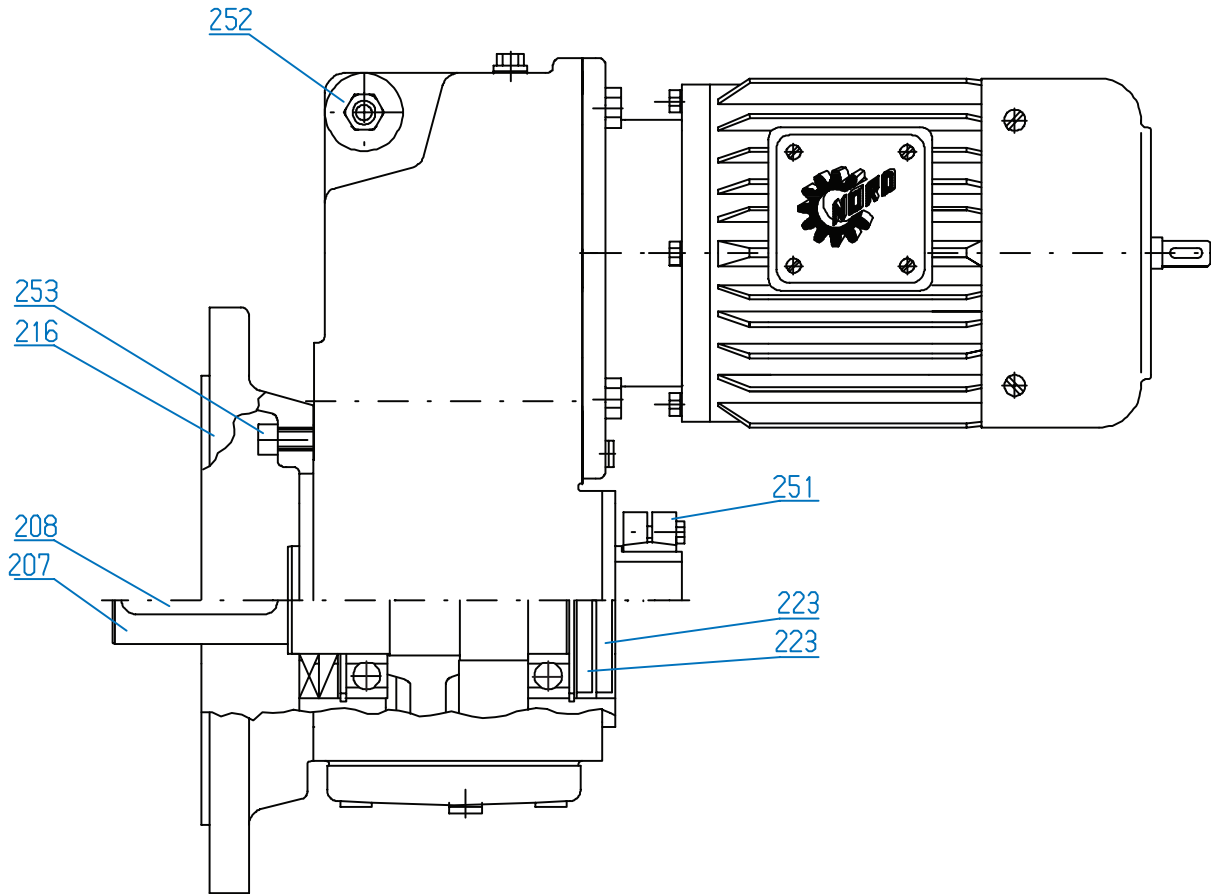
Toll Free in the United States: 888.314.6673

[www.nord.com/docs](http://www.nord.com/docs)





# CLINCHER™ PARTS LIST DRAWINGS



## SK 0182NB - SK 11282 & SK 1382 - SK 11382

207 Output Shaft	223 Bore Plug	253 Bolt
208 Key	251 Shrink Disc	
216 Flange	252 Rubber Buffer	

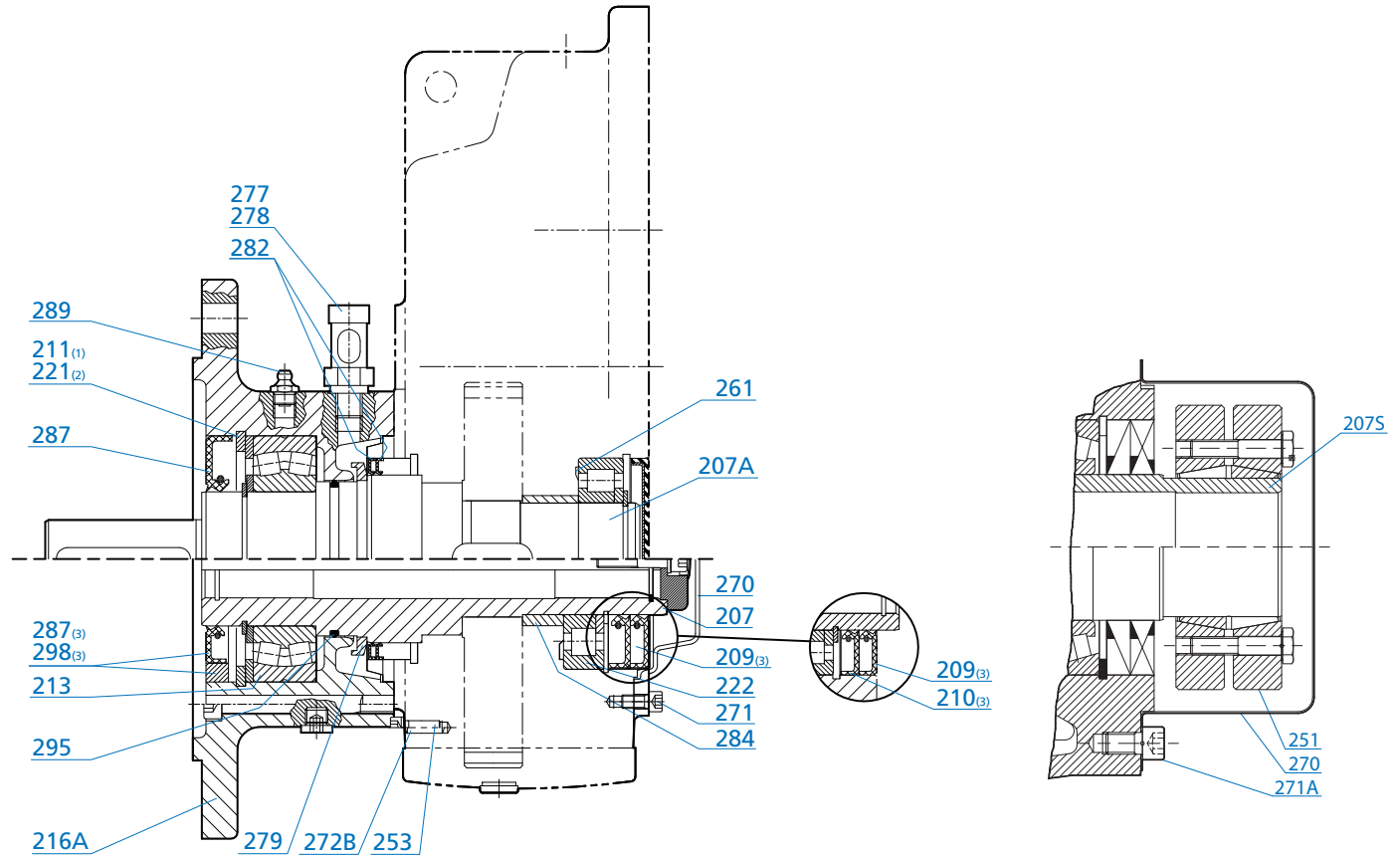


DRIVESYSTEMS

# CLINCHER™ VL2 & VL3 PARTS LIST DRAWINGS



U15210 - 1 of 1



## Parallel Helical Clincher VL2 & VL3

207A	Hollow Output Shaft	222	Bearing	278	Plug Gasket
207	Solid Output Shaft	251	Shrink Disk	279	Oil Slinger (VL3)
207S	Shrink Disk Hollow Shaft	253	Screw	282	Seal
209 (3)	Seal	261	NILOS Ring	284	Spacer
210 (3)	Seal	270	Shaft Cover	287 (3)	Seal
211 (1)	Snap Ring	271	Shaft Cover Screw	289	Grease Fitting
213	Bearing	272B	Dowel Pin	295	O-Ring
216A	Flange	277	Drain Plug (VL2)	298 (3)	Bushing
221(3)	Snap Ring	277	Oil Level Indicator (VL3)		

(1) = Needed for 2282/3282  
(2) = Needed for 3282/3382

(3) = Varies By Unit

**NORD Gear Limited**

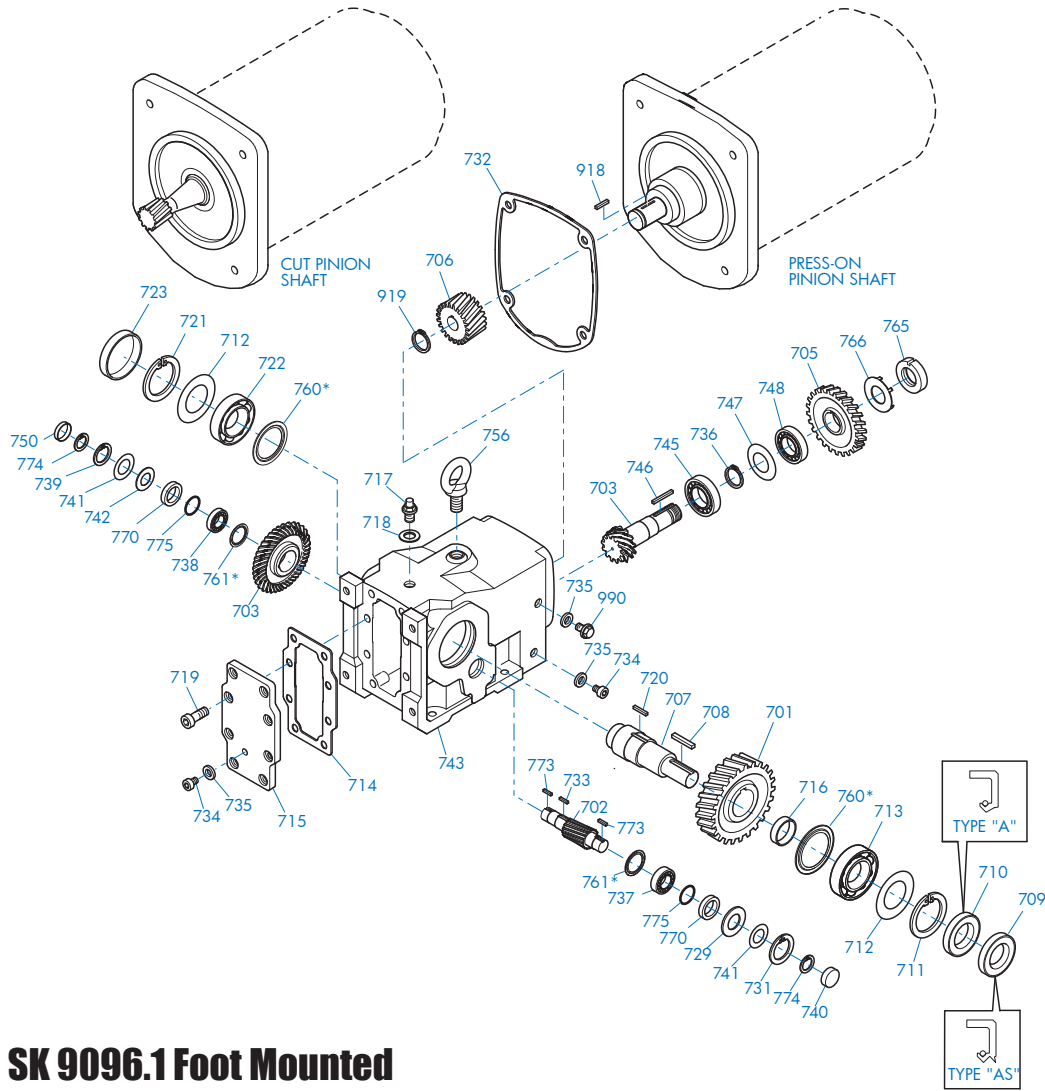
Toll Free in Canada: 800.668.4378

**NORD Gear Corporation**

Toll Free in the United States: 888.314.6673



# 90.1 HELICAL-BEVEL PARTS LIST DRAWINGS



## SK 9012.1 - SK 9096.1 Foot Mounted

701 Output Gear	721 Snap Ring	747 Shim
702 Pinion Shaft	722 Anti-Friction Bearing	748 Anti-Friction Bearing
703 Bevel Gearset	723 Bore Plug	750 Bore Plug
705 Gear	729 Thrust Washer	756 Flanged Eye Bolt
706 Pinion	731 Snap Ring	760 Nilos Ring*
707 Output Shaft	732 Gasket	761 Nilos Ring*
708 Key	733 Key	765 Slotted Round Nut
709 Oil Seal	734 Oil Plug	766 Tab Lock Washer
710 Oil Seal	735 Gasket	770 Backstop (If Equipped)
711 Snap Ring	736 Snap Ring	773 Key (w/Backstop)
712 Shim	737 Anti-Friction Bearing	774 Snap Ring
713 Anti-Friction Bearing	738 Anti-Friction Bearing	(w/Backstop)
714 Gasket	739 Snap Ring	775 Thrust Washer
715 Inspection Cover	740 Bore Plug	(w/Backstop)
716 Spacer	741 Shim	918 Key
717 Vent screw	742 Thrust Washer	919 Snap Ring
718 Gasket	743 Gearcase	990 Oil Level Plug
719 Bolt	745 Anti-Friction Bearing	
720 Key	746 Key	

\* Conditionally used part



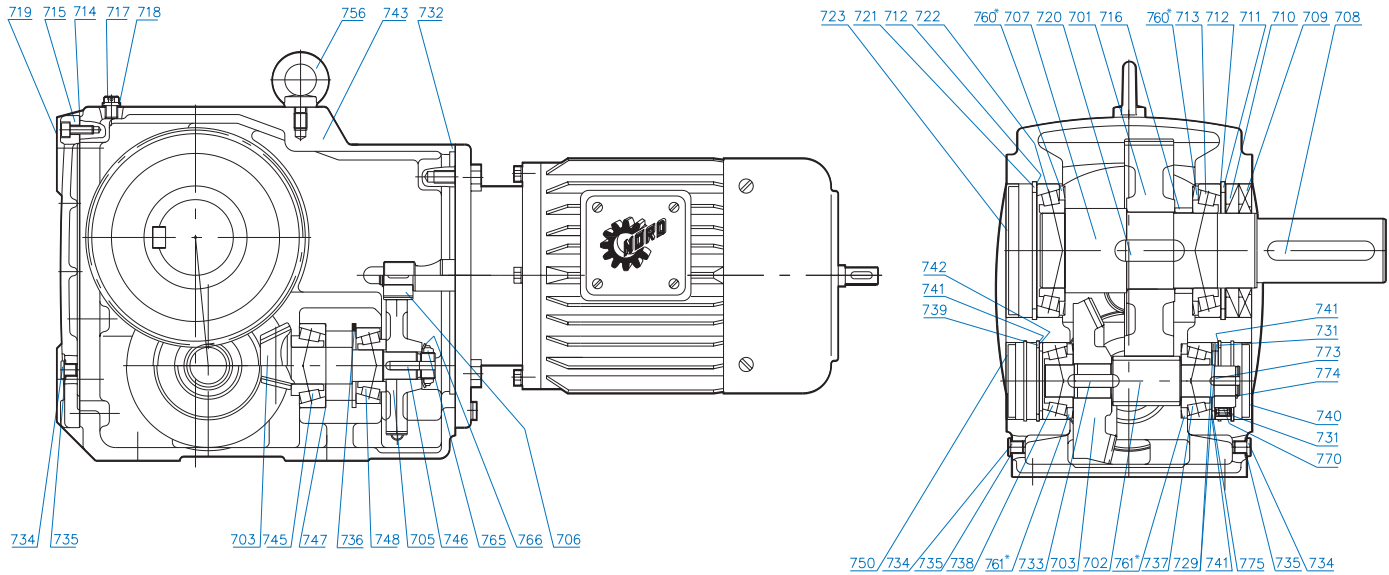
DRIVESYSTEMS

# 90.1 HELICAL-BEVEL PARTS LIST DRAWINGS

RETAIN FOR FUTURE USE



U15300 - 2 of 10



## SK 9012.1 - SK 9096.1 Foot Mounted

701 Output Gear	720 Key	745 Anti-Friction Bearing
702 Pinion Shaft	721 Snap Ring	746 Key
703 Bevel Gearset	722 Anti-Friction Bearing	747 Shim
705 Gear	723 Bore Plug	748 Anti-Friction Bearing
706 Pinion	729 Thrust Washer	750 Bore Plug
707 Output Shaft	731 Snap Ring	756 Flanged Eye Bolt
708 Key	732 Gasket	760 Nilos Ring*
709 Oil Seal	733 Key	761 Nilos Ring*
710 Oil Seal	734 Oil Plug	765 Slotted Round Nut
711 Snap Ring	735 Gasket	766 Tab Lock Washer
712 Shim	736 Snap Ring	770 Backstop (If Equipped)
713 Anti-Friction Bearing	737 Anti-Friction Bearing	773 Key (w/Backstop)
714 Gasket	738 Anti-Friction Bearing	774 Snap Ring
715 Inspection Cover	739 Snap Ring	(w/Backstop)
716 Spacer	740 Bore Plug	775 Thrust Washer
717 Vent	741 Shim	(w/Backstop)
718 Gasket	742 Thrust Washer	
719 Bolt	743 Gearcase	

\* Conditionally used part

**NORD Gear Limited**

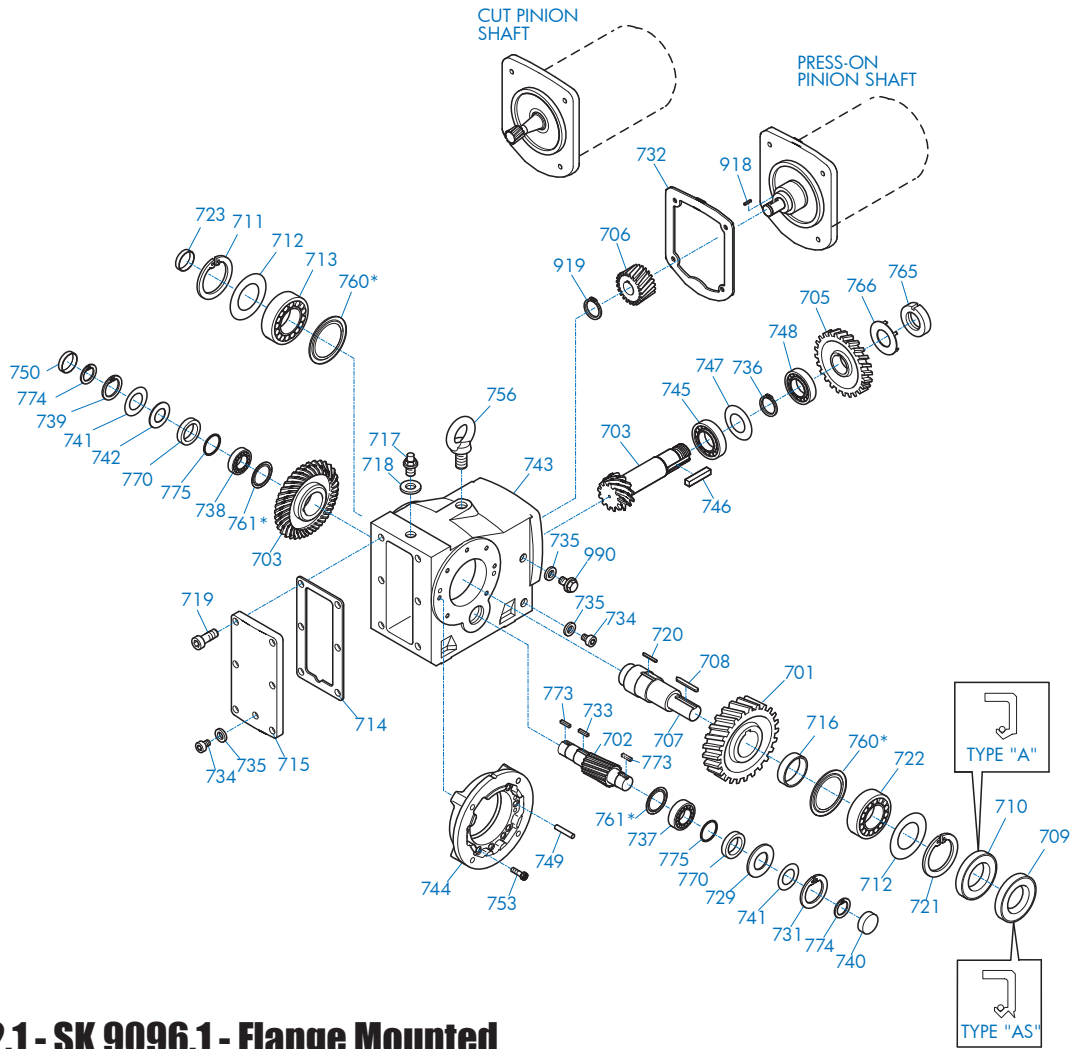
Toll Free in Canada: 800.668.4378

**NORD Gear Corporation**

Toll Free in the United States: 888.314.6673



# 90.1 HELICAL-BEVEL PARTS LIST DRAWINGS



## SK 9012.1 - SK 9096.1 - Flange Mounted

701 Output Gear	722 Anti-Friction Bearing	748 Anti-Friction Bearing
702 Pinion Shaft	723 Bore Plug	749 Dowel Pin
703 Bevel Gearset	729 Thrust Washer	750 Bore Plug
705 Gear	731 Snap Ring	753 Bolt
706 Pinion	732 Gasket	756 Flanged Eye Bolt
707 Output Shaft	733 Key	760 Nilos Ring*
708 Key	734 Oil plug	761 Nilos Ring*
709 Oil Seal	735 Gasket	765 Slotted Round Nut
710 Oil Seal	736 Snap Ring	766 Tab Lock Washer
711 Snap Ring	737 Anti-Friction Bearing	770 Backstop (If Equipped)
712 Shim	738 Anti-Friction Bearing	773 Key (w/Backstop)
713 Anti-Friction Bearing	739 Snap Ring	774 Snap Ring
714 Gasket	740 Bore Plug	(w/Backstop)
715 Inspection Cover	741 Shim	775 Thrust Washer
716 Spacer	742 Thrust Washer	(w/Backstop)
717 Vent Plug	743 Gearcase	918 Key
718 Gasket	744 Flange	919 Snap Ring
719 Bolt	745 Anti-Friction Bearing	990 Oil Level Plug
720 Key	746 Key	
721 Snap Ring	747 Shim	

\* Conditionally used part



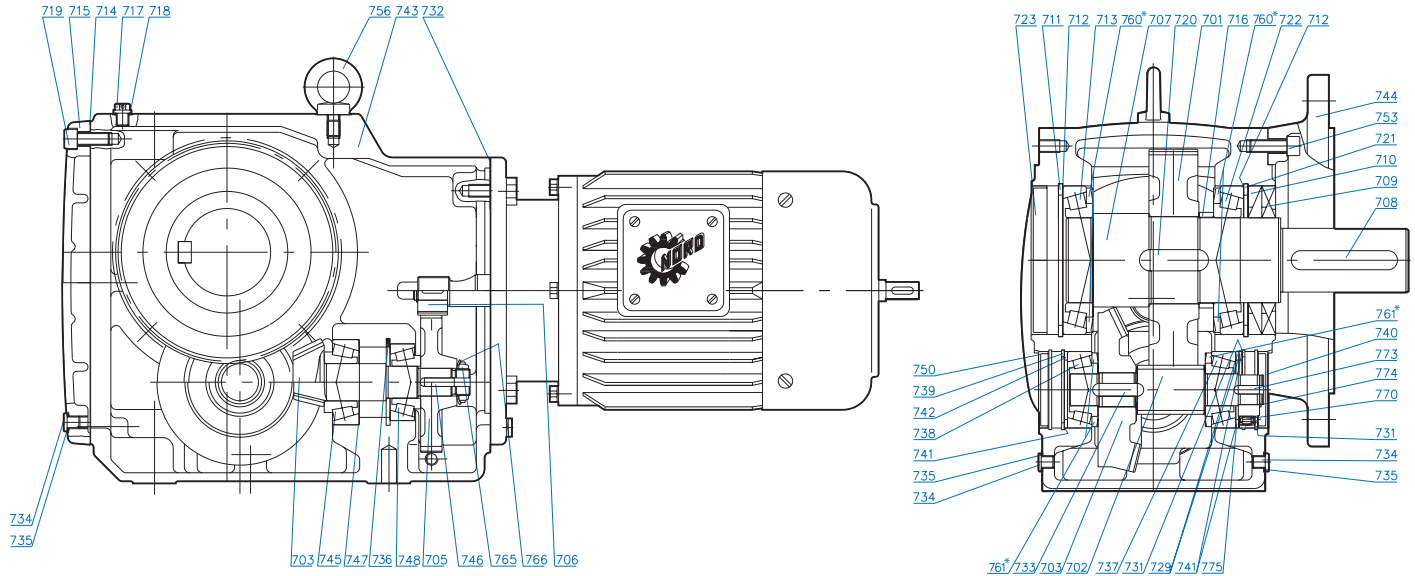
DRIVESYSTEMS

# 90.1 HELICAL-BEVEL PARTS LIST DRAWINGS

RETAIN FOR FUTURE USE



U15300 - 4 of 10



## SK 9012.1 - SK 9096.1 - Flange Mounted

701 Output Gear	720 Key	744 Flange
702 Pinion Shaft	721 Snap Ring	745 Anti-Friction Bearing
703 Bevel Gearset	722 Anti-Friction Bearing	746 Key
705 Gear	723 Bore Plug	747 Shim
706 Pinion	729 Thrust Washer	748 Anti-Friction Bearing
707 Output Shaft	731 Snap Ring	750 Bore Plug
708 Key	732 Gasket	753 Bolt
709 Oil Seal	733 Key	756 Flanged Eye Bolt
710 Oil Seal	734 Oil plug	760 Nilos Ring*
711 Snap Ring	735 Gasket	761 Nilos Ring*
712 Shim	736 Snap Ring	765 Slotted Round Nut
713 Anti-Friction Bearing	737 Anti-Friction Bearing	766 Tab Lock Washer
714 Gasket	738 Anti-Friction Bearing	770 Backstop*
715 Inspection Cover	739 Snap Ring	773 Key (w/Backstop)
716 Spacer	740 Bore Plug	774 Snap Ring
717 Vent Plug	741 Shim	(w/Backstop)
718 Gasket	742 Thrust Washer	775 Thrust Washer
719 Bolt	743 Gearcase	(w/Backstop)

\* Conditionally used part

**NORD Gear Limited**

Toll Free in Canada: 800.668.4378

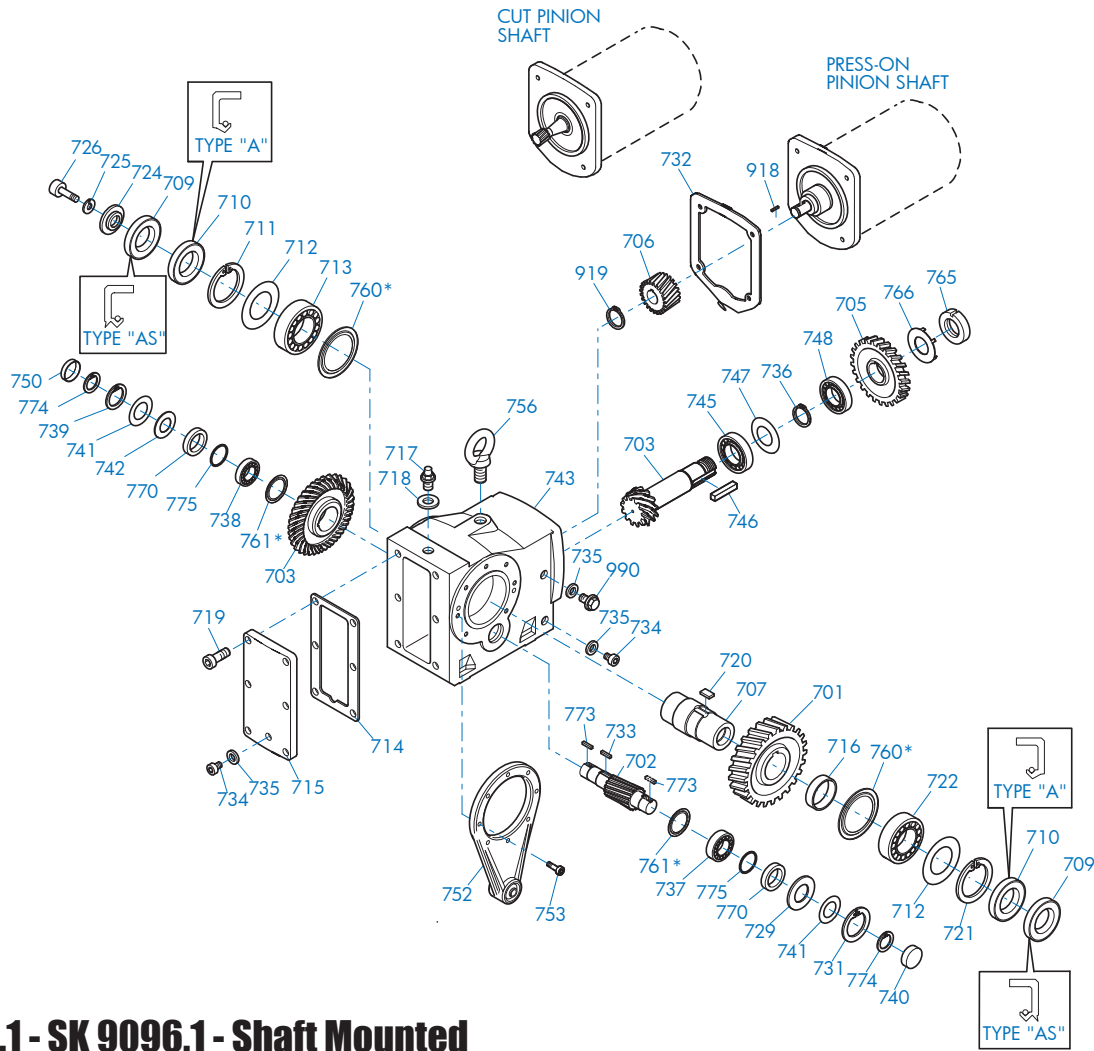
**NORD Gear Corporation**

Toll Free in the United States: 888.314.6673





# 90.1 HELICAL-BEVEL PARTS LIST DRAWINGS



## SK 9012.1 - SK 9096.1 - Shaft Mounted

701 Gear	724 Retaining Washer	748 Anti-Friction Bearing
702 Pinion Shaft	725 Lock Washer	750 Bore Plug
703 Bevel Gearset	726 Bolt	752 Torque Arm
705 Gear	729 Thrust Washer	753 Bolt
706 Pinion	731 Snap Ring	756 Flanged Eye Bolt
707 Output Shaft	732 Gasket	760 Nilos Ring*
709 Oil Seal	733 Key	761 Nilos Ring*
710 Oil Seal	734 Oil plug	765 Slotted Round Nut
711 Snap Ring	735 Gasket	766 Tab Lock Washer
712 Shim	736 Snap Ring	770 Backstop (If Equipped)
713 Anti-Friction Bearing	737 Anti-Friction Bearing	773 Key (w/Backstop)
714 Gasket	738 Anti-Friction Bearing	774 Snap Ring
715 Inspection Cover	739 Snap Ring	(w/Backstop)
716 Spacer	740 Bore Plug	775 Thrust Washer
717 Vent Plug	741 Shim	(w/Backstop)
718 Gasket	742 Thrust Washer	918 Key
719 Bolt	743 Gearcase	919 Snap Ring
720 Key	745 Anti-Friction Bearing	990 Oil Level Plug
721 Snap Ring	746 Key	
722 Anti-Friction Bearing	747 Shim	

\* Conditionally used part

**NORD Gear Limited**

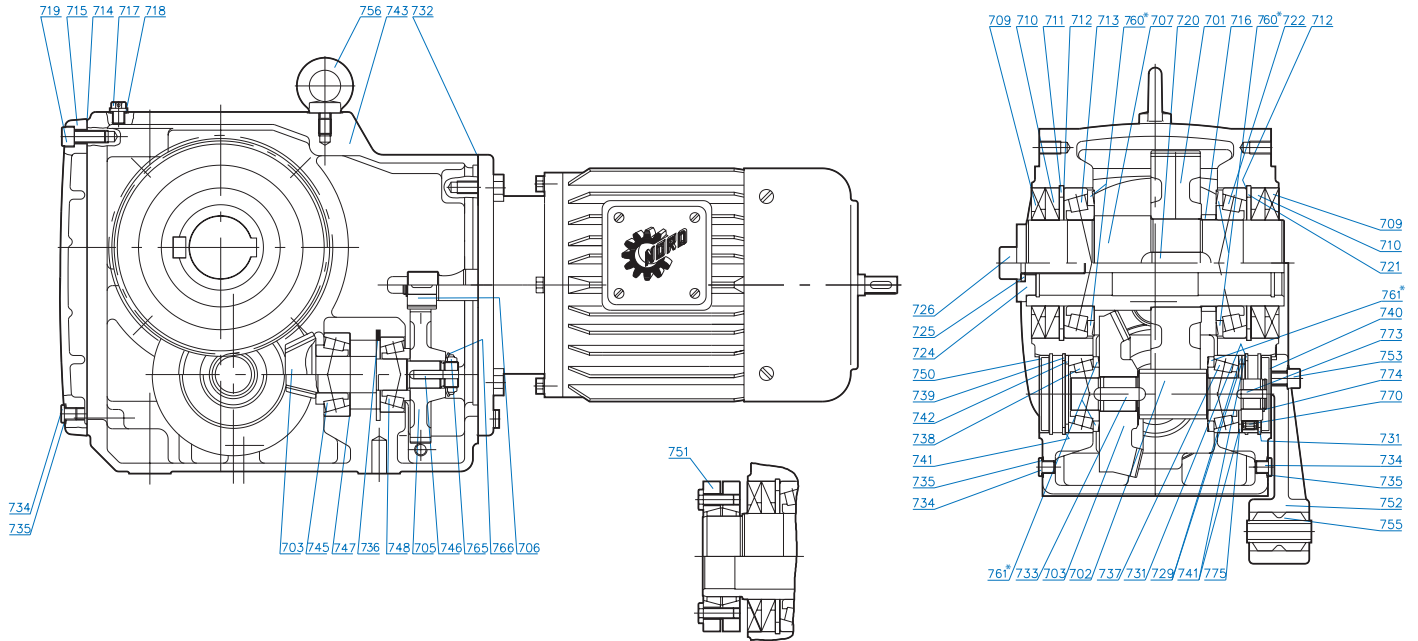
Toll Free in Canada: 800.668.4378

**NORD Gear Corporation**

Toll Free in the United States: 888.314.6673



# 90.1 HELICAL-BEVEL PARTS LIST DRAWINGS



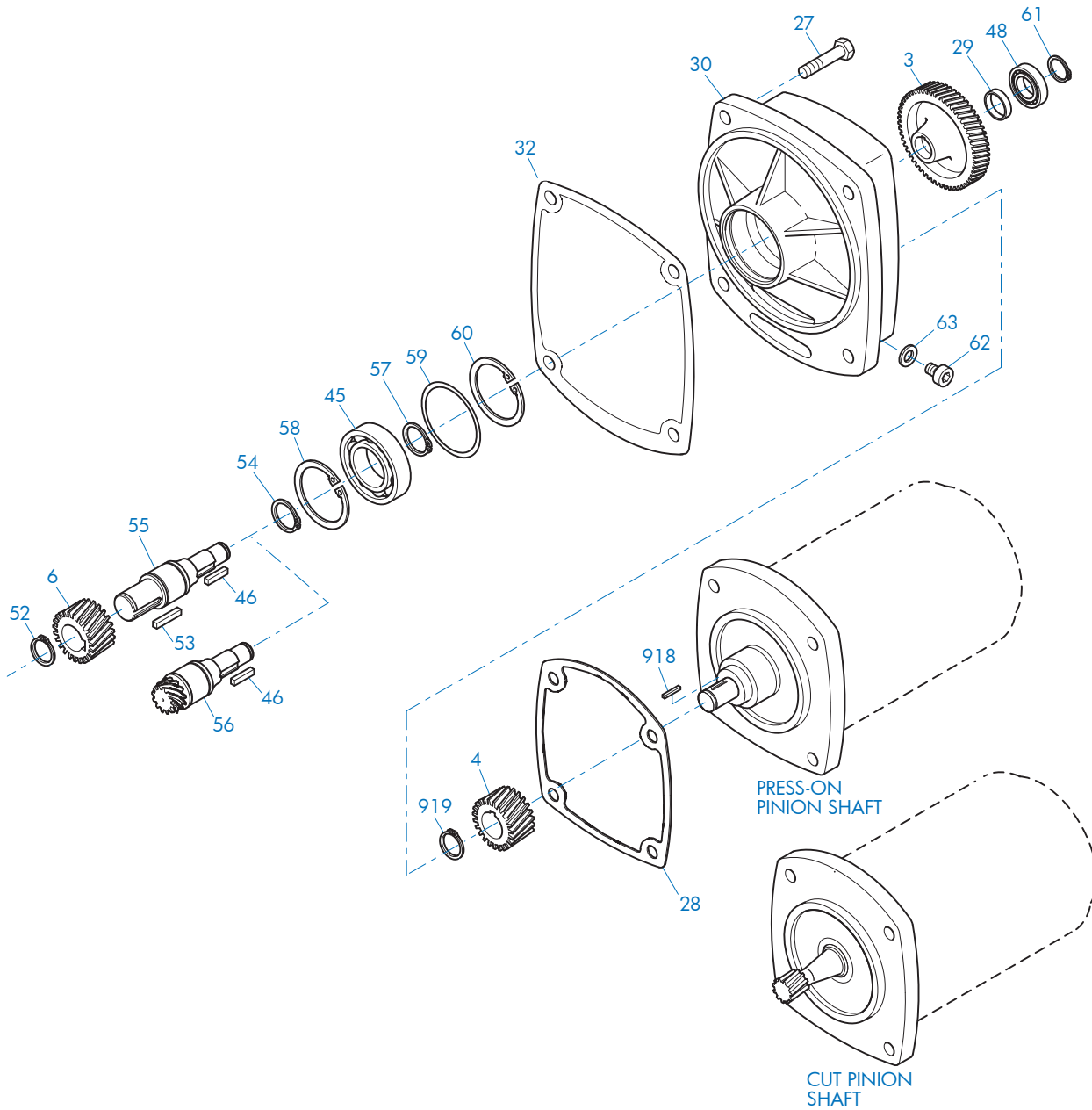
## SK 9012.1 - SK 9096.1 - Shaft Mounted

701 Gear	722 Anti-Friction Bearing	746 Key
702 Pinion Shaft	724 Washer	747 Shim
703 Bevel Gearset	725 Lock Washer	748 Anti-Friction Bearing
705 Gear	726 Bolt	750 Bore Plug
706 Pinion	729 Thrust Washer	751 Shrink Disc
707 Output Shaft	731 Snap Ring	752 Torque Arm
709 Oil Seal	732 Gasket	753 Bolt
710 Oil Seal	733 Key	755 Rubber Buffer
711 Snap Ring	734 Oil plug	756 Flanged Eye Bolt
712 Shim	735 Gasket	760 Nilos Ring*
713 Anti-Friction Bearing	736 Snap Ring	761 Nilos Ring*
714 Gasket	737 Anti-Friction Bearing	765 Slotted Round Nut
715 Inspection Cover	738 Anti-Friction Bearing	766 Tab Lock Washer
716 Spacer	739 Snap Ring	770 Backstop*
717 Vent Plug	740 Bore Plug	773 Key (w/Backstop)
718 Seal	741 Shim	774 Snap Ring (w/Backstop)
719 Bolt	742 Thrust Washer	775 Thrust Washer (w/Backstop)
720 Key	743 Gearcase	
721 Snap Ring	745 Anti-Friction Bearing	

\* Conditionally used part



# 90.1 HELICAL-BEVEL PARTS LIST DRAWINGS



## SK9013.1 - SK9053.1 Third Stage Reduction Gear

3	Gear	46	Key	59	Shim
4	Pinion	48	Anti-Friction Bearing	60	Snap Ring
6	Pinion	52	Snap Ring	61	Snap Ring
27	Bolt	53	Key	62	Oil Plug
28	Gasket	54	Snap Ring	63	Gasket
29	Spacer	55	Intermediate Shaft, Plain	918	Key
30	Third Reduction Gearcase	56	Intermediate Shaft, Gearcut	919	Snap Ring
32	Gasket	57	Snap Ring		
45	Anti-Friction Bearing	58	Snap Ring		



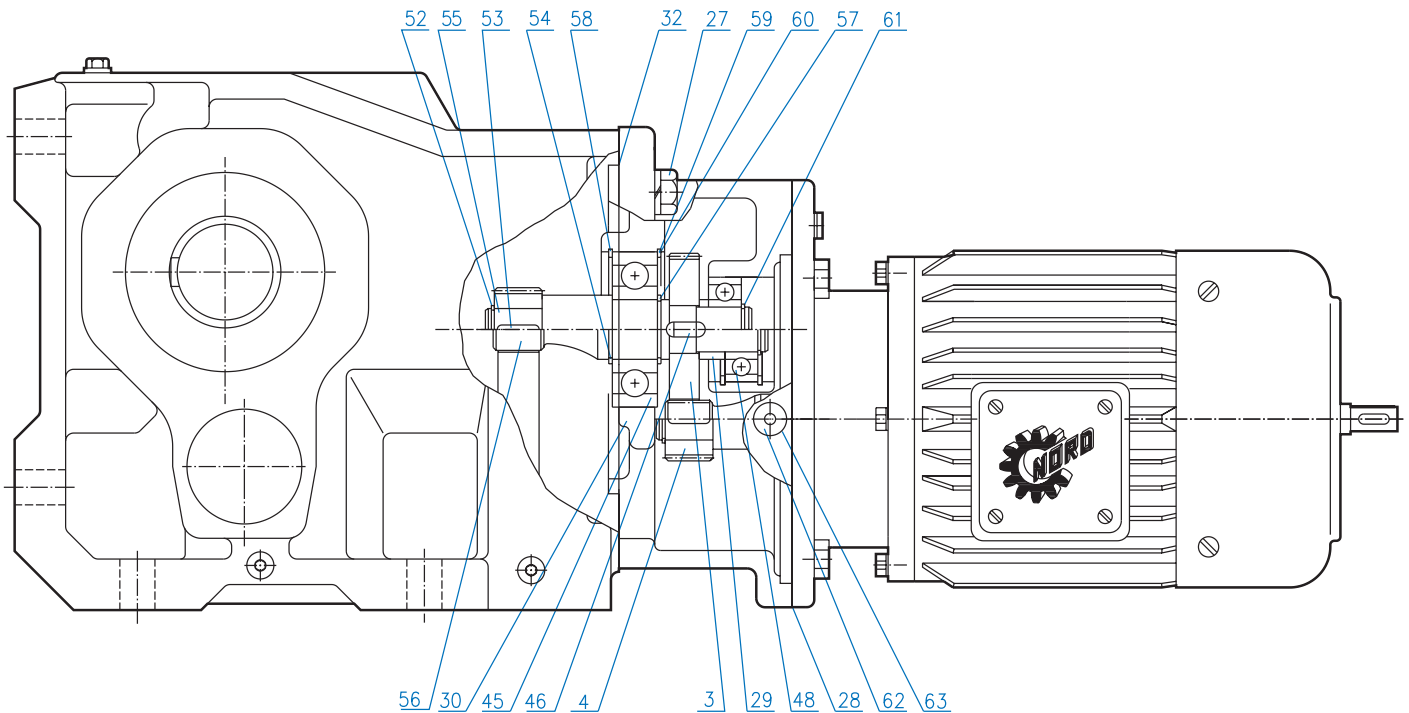
DRIVESYSTEMS

# 90.1 HELICAL-BEVEL PARTS LIST DRAWINGS



U15300 - 8 of 10

RETAIN FOR FUTURE USE



## SK9013.1 - SK9053.1 Third Stage Reduction Gear

3	Gear	46	Key	58	Snap Ring
4	Pinion	48	Anti-Friction Bearing	59	Shim
27	Bolt	52	Snap Ring	60	Snap Ring
28	Gasket	53	Key	61	Snap Ring
29	Spacer	54	Snap Ring	62	Oil Plug
30	Third Reduction Gearcase	55	Intermediate Shaft, Plain	63	Gasket
32	Gasket	56	Intermediate Shaft, Gearcut		
45	Anti-Friction Bearing	57	Snap Ring		

**NORD Gear Limited**

Toll Free in Canada: 800.668.4378

**NORD Gear Corporation**

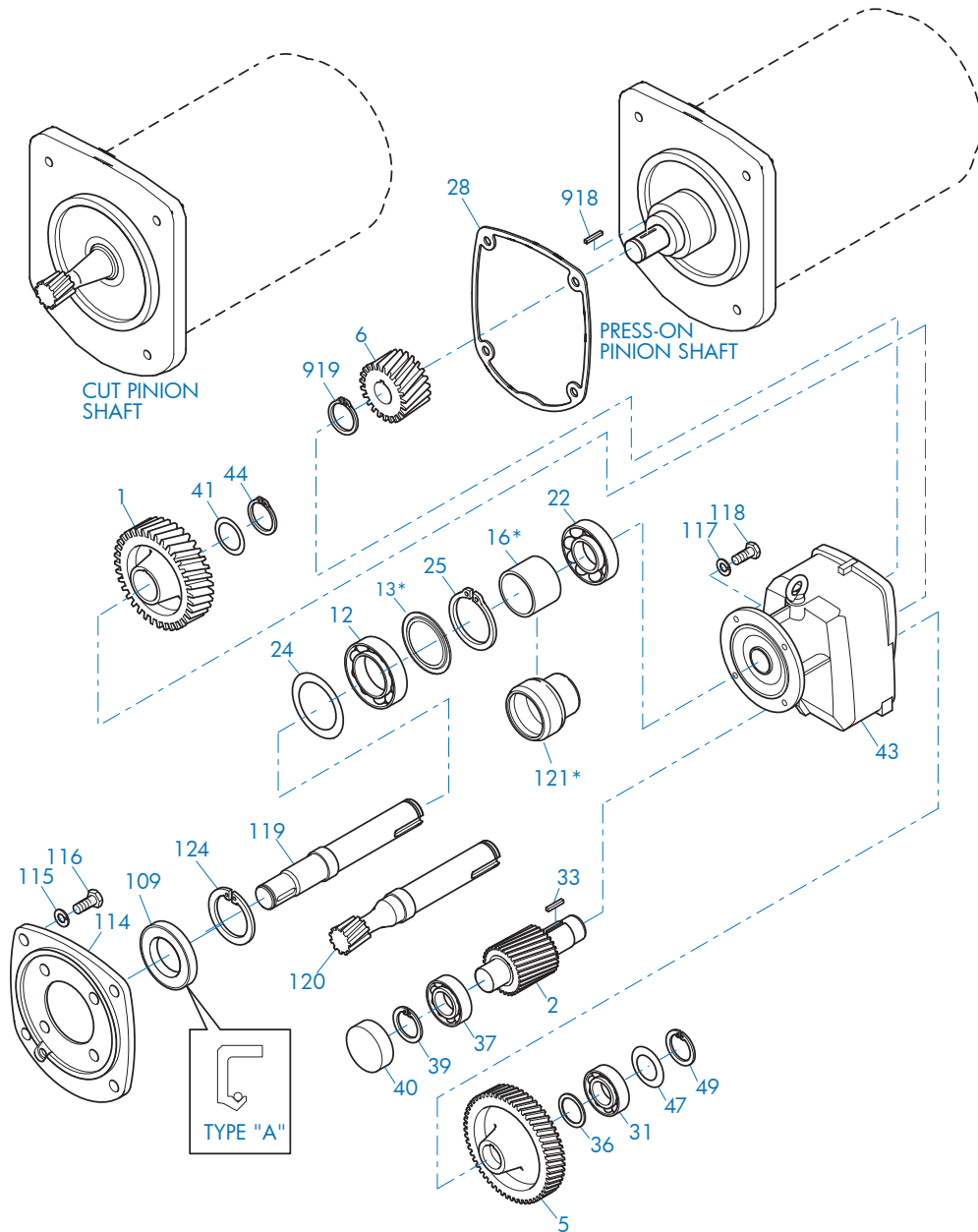
Toll Free in the United States: 888.314.6673

06.09.09

[www.nord.com/docs](http://www.nord.com/docs)



# 90.1 HELICAL-BEVEL PARTS LIST DRAWINGS



## SK9062.1/32 - SK9092.1/52 Input Compound Reduction

1	Gear	33	Key	115	Lock Washer
2	Pinion Shaft	36	Spacer	116	Bolt
5	Gear	37	Anti-Friction Bearing	117	Lock Washer
6	Pinion	39	Snap Ring	118	Bolt
12	Anti-Friction Bearing	40	Bore Plug	119	Intermediate Shaft, Plain
13	Nilos Ring*	41	Shim	120	Intermediate Shaft, Gearcut
16	Spacer*	43	Gearcase	121	Bearing Sleeve*
22	Anti-Friction Bearing	44	Snap Ring	124	Snap Ring
24	Shim	47	Shim	918	Key
25	Snap Ring	49	Snap Ring	919	Snap Ring
28	Gasket	109	Oil Seal		
31	Anti-Friction Bearing	114	Intermediate Flange		

\* Conditionally used part

**NORD Gear Limited**

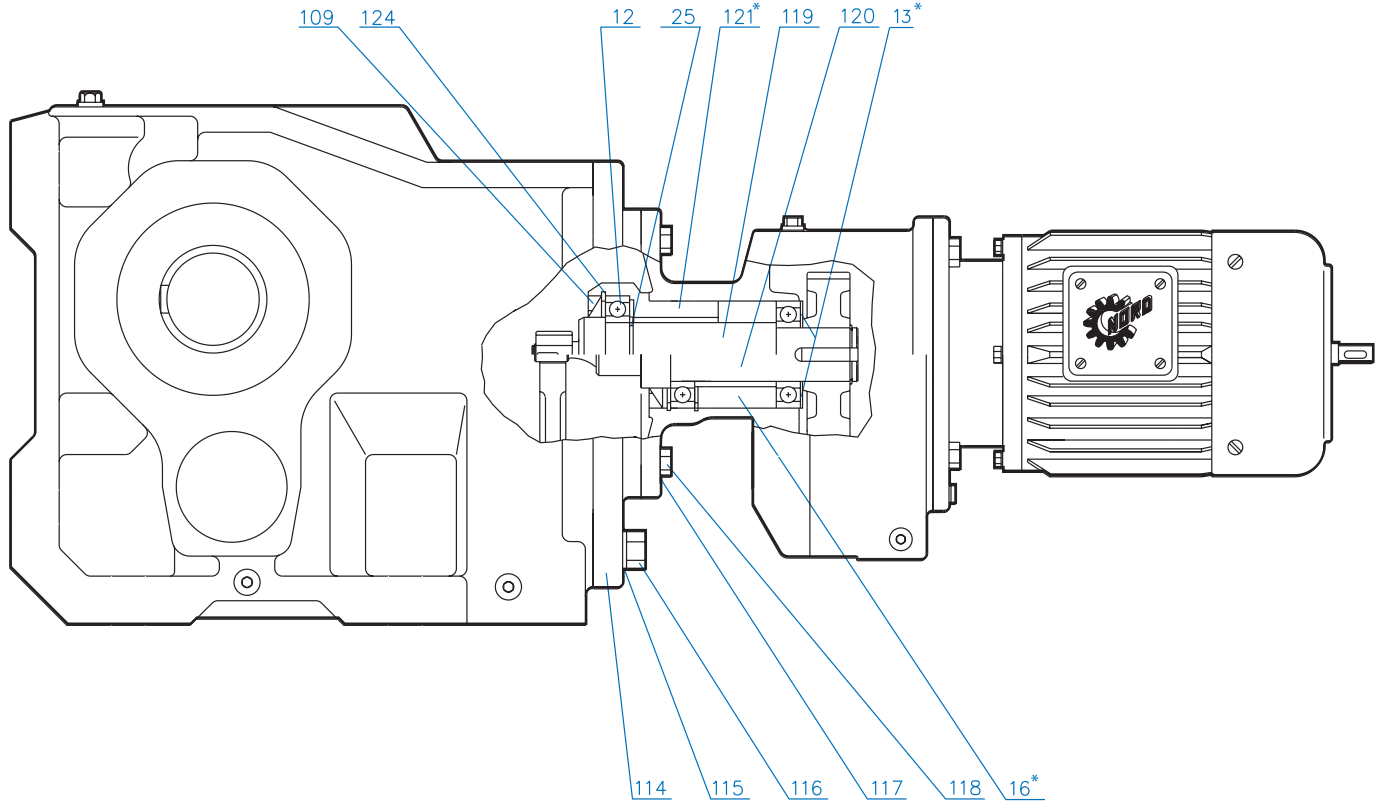
Toll Free in Canada: 800.668.4378

**NORD Gear Corporation**

Toll Free in the United States: 888.314.6673



# 90.1 HELICAL-BEVEL PARTS LIST DRAWINGS



## SK9062.1/32 - SK9092.1/52 Input Compound Reduction

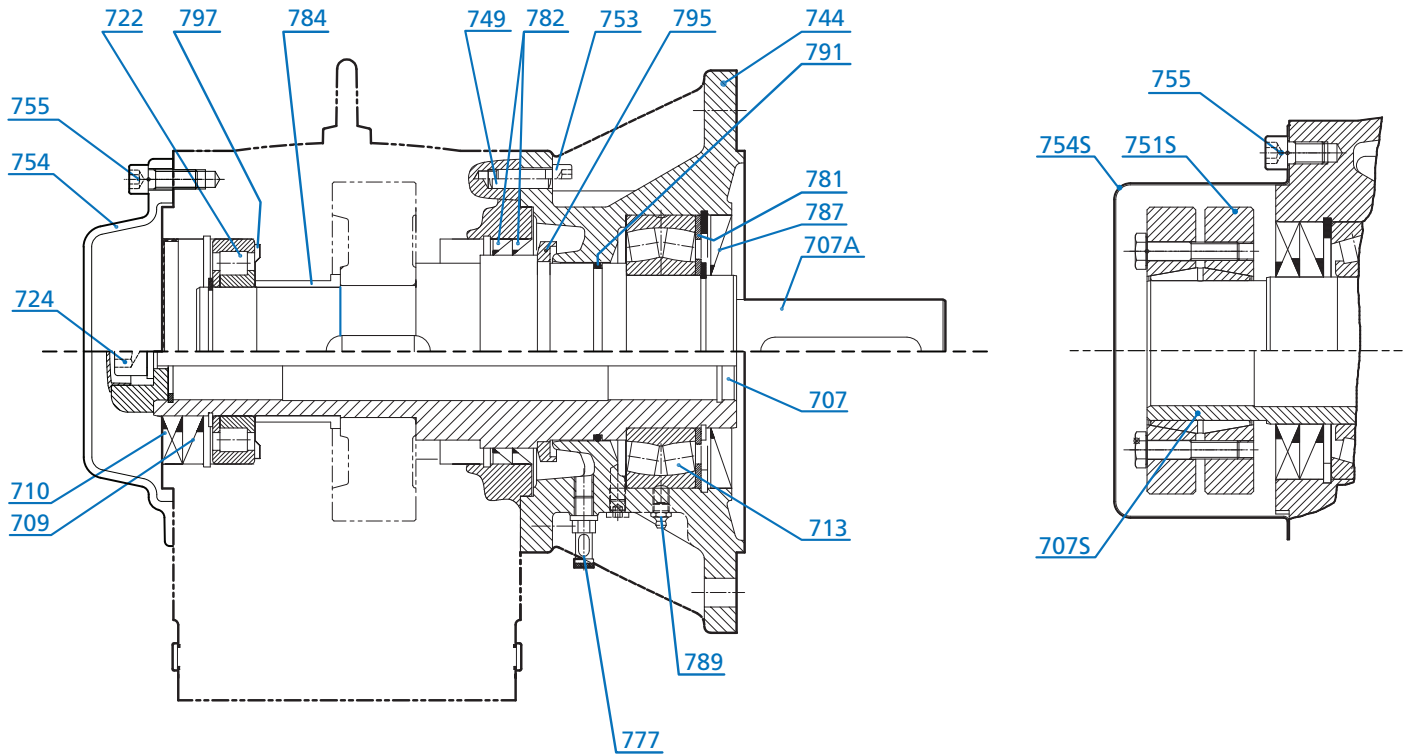
11 Bearing	114 Intermediate Flange	119 Intermediate Shaft, Plain
13 Nilos Ring*	115 Lock Washer	120 Intermediate Shaft, Gearcut
16 Spacer*	116 Bolt	121 Bearing Sleeve *
25 Snap Ring	117 Lock Washer	124 Snap Ring
109 Oil Seal	118 Bolt	

\* Conditionally used part





# Helical Bevel VL2 & VL3 PARTS LIST DRAWINGS

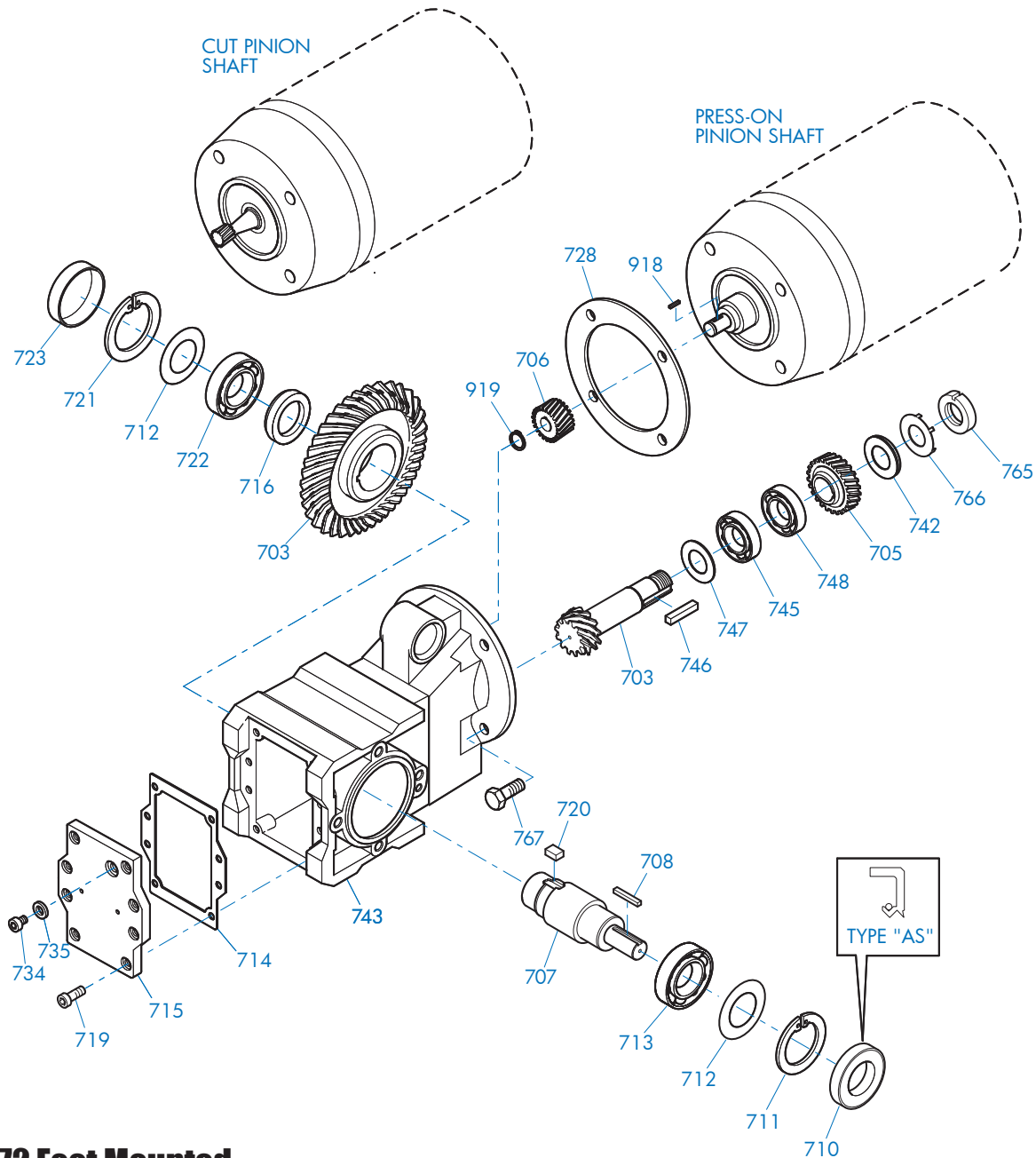


## Helical Bevel VL2 & VL3

707	Hollow Output Shaft	744	Flange VLII & VLIII	782	Seal
707A	Output Shaft	749	Dowel Pin	784	Spacer VLIII
707S	Shrink Disk Hollow Shaft	751S	Shrink Disk	787	Seal
709	Seal	753	Screw	789	Grease Fitting
710	Seal	754	Shaft Cover	791	O-Ring
711	Snap Ring	755	Shaft Cover Screw	795	Oil Slinger (VLIII Only)
713	Bearing	777	Drain Plug (VLII)	797	NILOS Ring
722	Bearing	777	Oil Indicator (VLIII Only)		
724	Fixing Kit	781	Axial Shim		



# 92 SERIES HELICAL-BEVEL PARTS LIST DRAWINGS



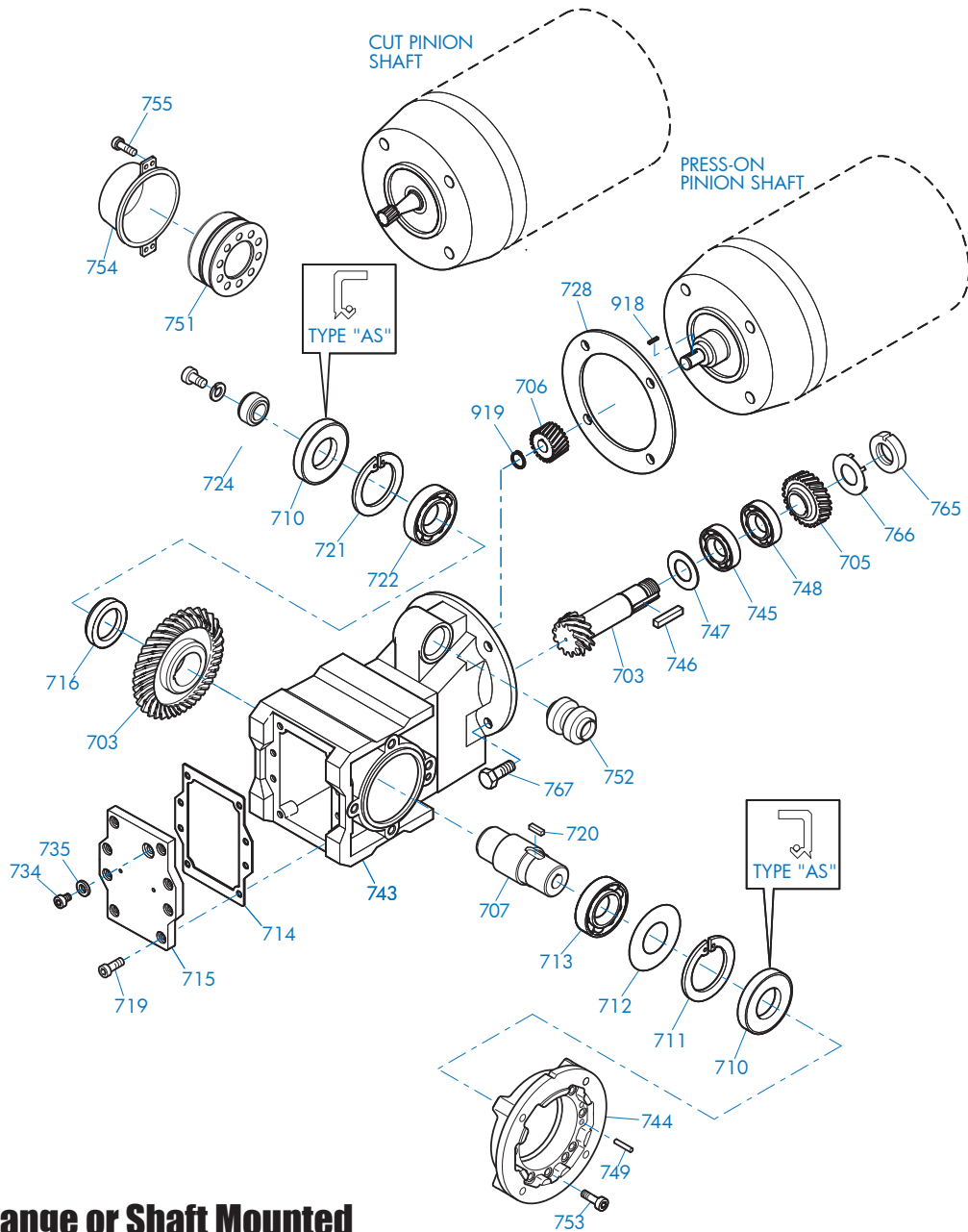
## SK 92072 Foot Mounted

703 Bevel Gearset	716 Spacer	745 Anti-Friction Bearing
705 Gear	719 Bolt	746 Key
706 Pinion	720 Key	747 Shim
707 Output Shaft	721 Snap Ring	748 Anti-Friction Bearing
708 Key	722 Anti-Friction Bearing	765 Slotted Nut
710 Oil Seal	723 Bore Plug	766 Tab Lock Washer
711 Snap Ring	728 Gasket	767 Bolt
712 Shim	734 Oil Plug	918 Key
713 Anti-Friction Bearing	735 Gasket	919 Snap Ring
714 Gasket	742 Thrust Washer	
715 Inspection Cover	743 Gear case	



# 92 SERIES HELICAL-BEVEL PARTS LIST DRAWINGS

RETAIN FOR FUTURE USE



## SK 92072 Flange or Shaft Mounted

703 Bevel Gearset	720 Key	748 Anti-Friction Bearing
705 Gear	721 Snap Ring	749 Grooved Pin
706 Pinion	722 Anti-Friction Bearing	751 Shrink Disc
707 Output Shaft	724 Fixing Element Kit	752 Rubber Buffer
710 Oil Seal	728 Gasket	753 Bolt
711 Snap Ring	734 Oil Plug	754 Cover
712 Shim	735 Gasket	755 Bolt
713 Anti-Friction Bearing	743 Gearcase	765 Slotted Round Nut
714 Gasket	744 Flange	766 Tab Lock Washer
715 Inspection Cover	745 Anti-Friction Bearing	767 Bolt
716 Spacer	746 Key	918 Key
719 Bolt	747 Shim	919 Snap Ring



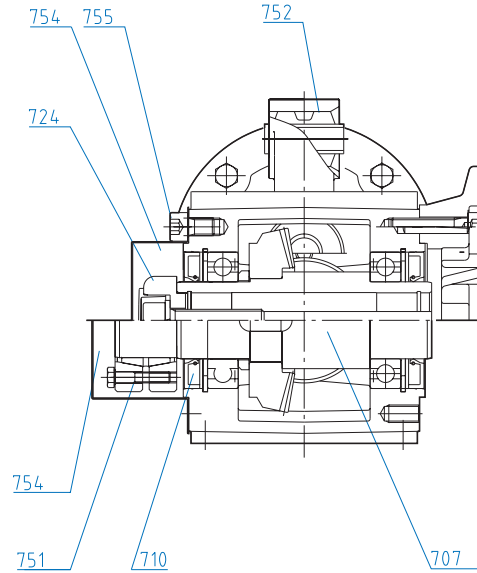
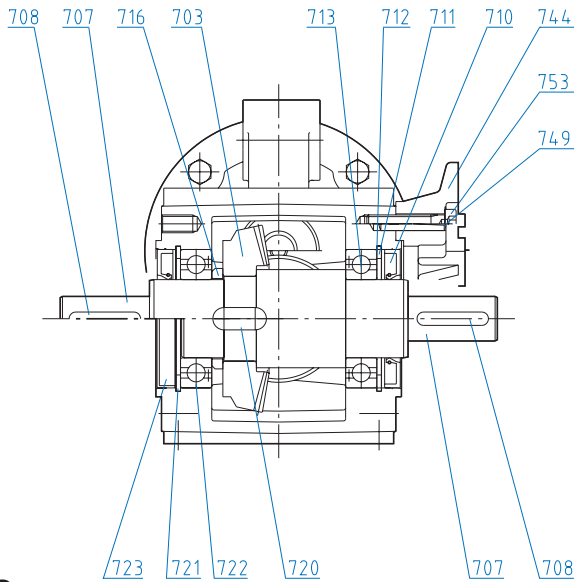
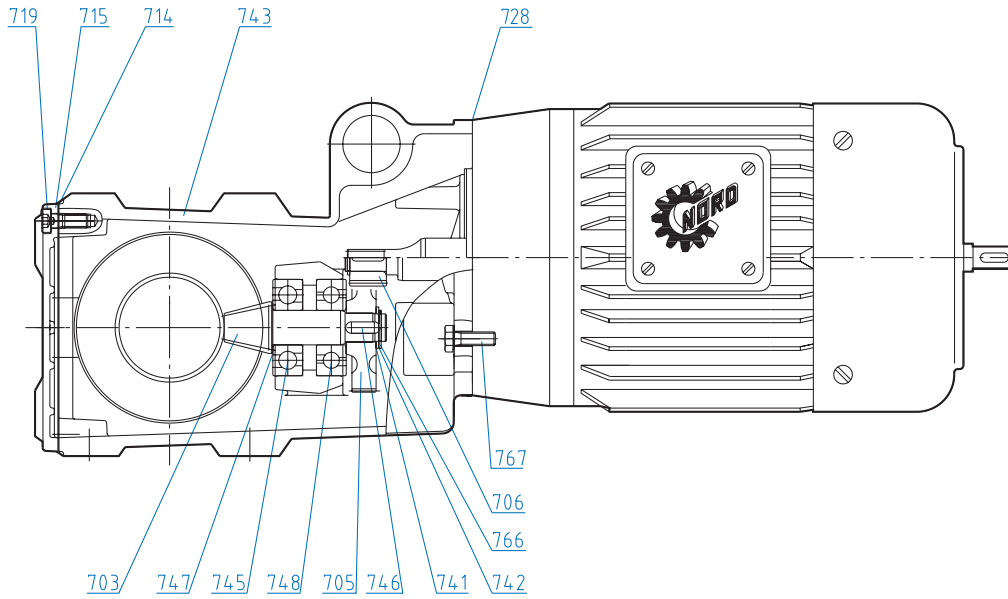
DRIVESYSTEMS

# 92 SERIES HELICAL-BEVEL PARTS LIST DRAWINGS

RETAIN FOR FUTURE USE



U15400 - 3 of 7



## SK 92072

703 Bevel Gearset	719 Bolt	746 Key
705 Gear	720 Key	747 Shim
706 Pinion	721 Snap Ring	748 Anti-Friction Bearing
707 Output Shaft	722 Anti-Friction Bearing	749 Grooved Pin
708 Key	723 Bore Plug	751 Shrink Disc Connector
710 Oil Seal	724 Fixing Element Kit	752 Rubber Buffer
711 Snap Ring	728 Gasket	753 Socket Head Screw
712 Shim	741 Shim	754 Shrink Disc Cover
713 Anti-Friction Bearing	742 Thrust Washer	755 Socket Head Screw
714 Gasket	743 Gear case	766 Tab Lock Washer
715 Inspection Cover	744 Flange	767 Bolt
716 Spacer	745 Anti-Friction Bearing	

**NORD Gear Limited**

Toll Free in Canada: 800.668.4378

**NORD Gear Corporation**

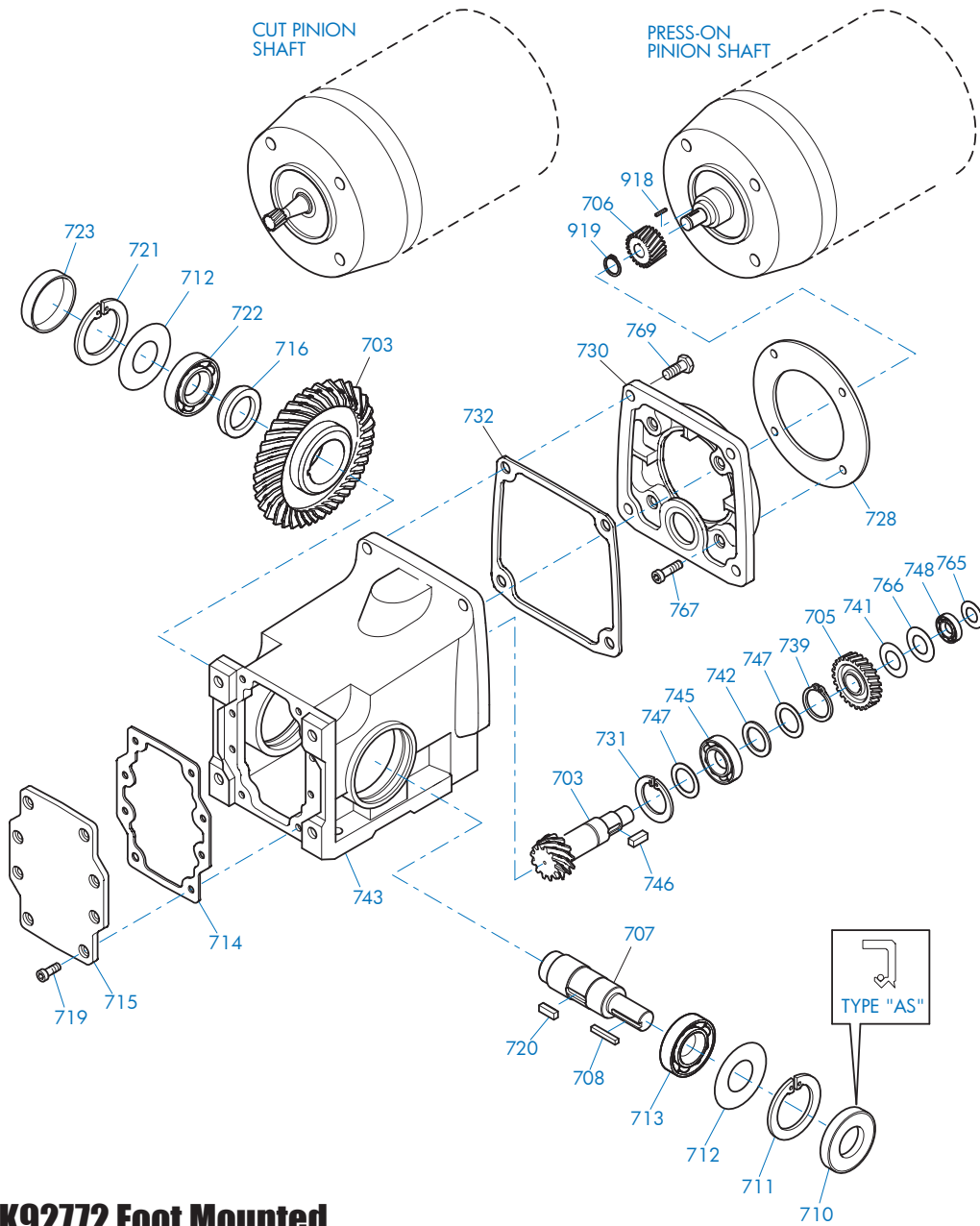
Toll Free in the United States: 888.314.6673

06.09.09

[www.nord.com/docs](http://www.nord.com/docs)



# 92 SERIES HELICAL-BEVEL PARTS LIST DRAWINGS



## SK 92172 - SK92772 Foot Mounted

703 Bevel Gearset	719 Bolt	743 Gearcase
705 Gear	720 Key	745 Anti-Friction Bearing
706 Pinion	721 Snap Ring	746 Key
707 Output Shaft	722 Anti-Friction Bearing	747 Shim
708 Key	723 Bore Plug	748 Anti-Friction Bearing
710 Oil Seal	728 Gasket	765 Shim
711 Snap Ring	730 Input Cover	766 Snap Ring
712 Shim	731 Snap Ring	767 Bolt
713 Anti-Friction Bearing	732 Gasket	769 Bolt
714 Gasket	739 Snap Ring	918 Key
715 Inspection Cover	741 Shim	919 Snap Ring
716 Spacer	742 Thrust Washer	



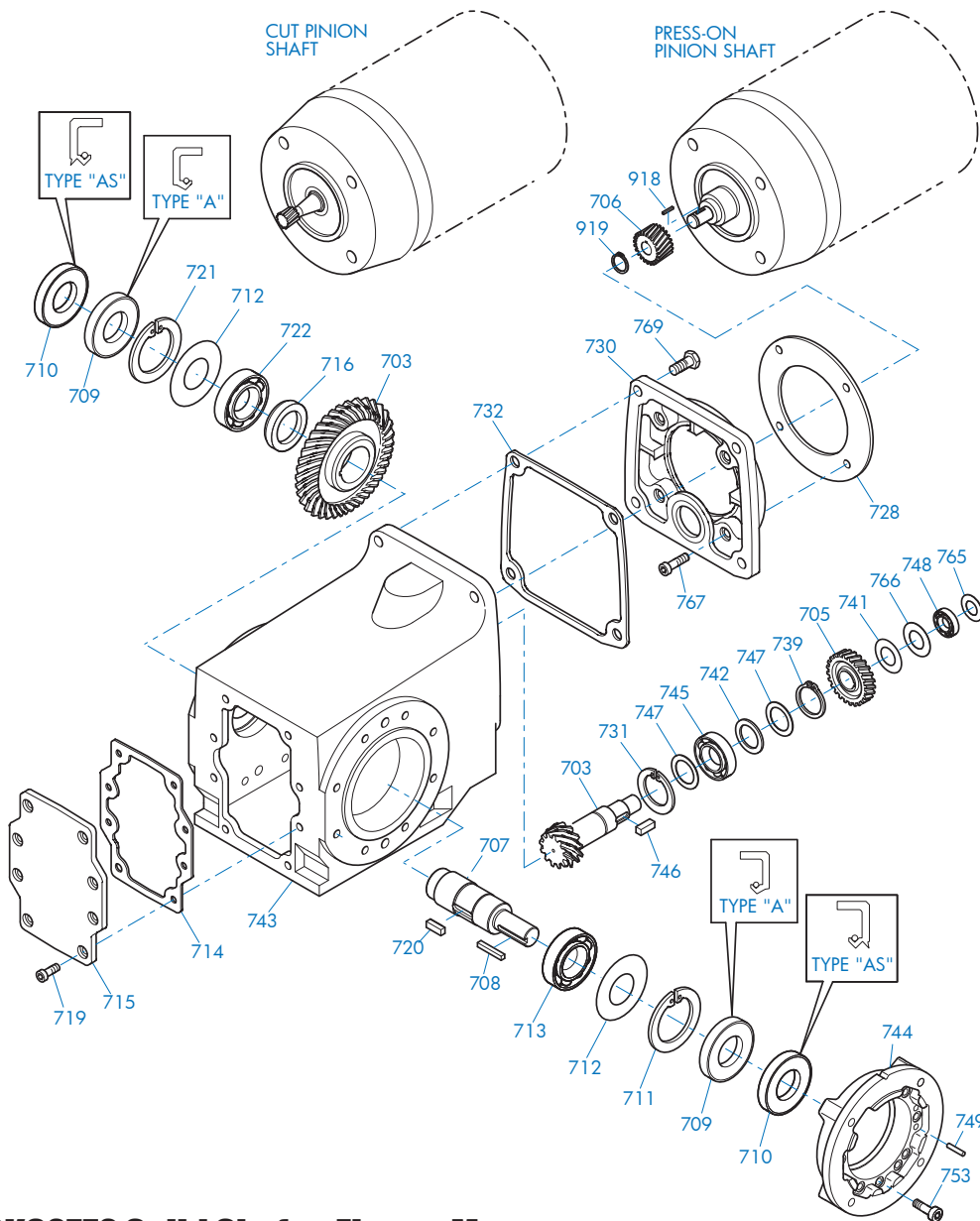
DRIVESYSTEMS

# 92 SERIES HELICAL-BEVEL PARTS LIST DRAWINGS

RETAIN FOR FUTURE USE



U15400 - 5 of 7



## SK 92172 - SK92772 Solid Shaft + Flange Mount

703 Bevel Gearset	719 Bolt	745 Anti-Friction Bearing
705 Gear	720 Key	746 Key
706 Pinion	721 Snap Ring	747 Shim
707 Output Shaft	722 Anti-Friction Bearing	748 Anti-Friction Bearing
708 Key	728 Gasket	749 Grooved Pin
709 Oil Seal	730 Input Cover	753 Bolt
710 Oil Seal	731 Snap Ring	765 Shim
711 Snap Ring	732 Gasket	766 Snap Ring
712 Shim	739 Snap Ring	767 Bolt
713 Anti-Friction Bearing	741 Shim	769 Bolt
714 Gasket	742 Thrust Washer	918 Key
715 Inspection Cover	743 Gearcase	919 Snap Ring
716 Spacer	744 Flange	

**NORD Gear Limited**

Toll Free in Canada: 800.668.4378

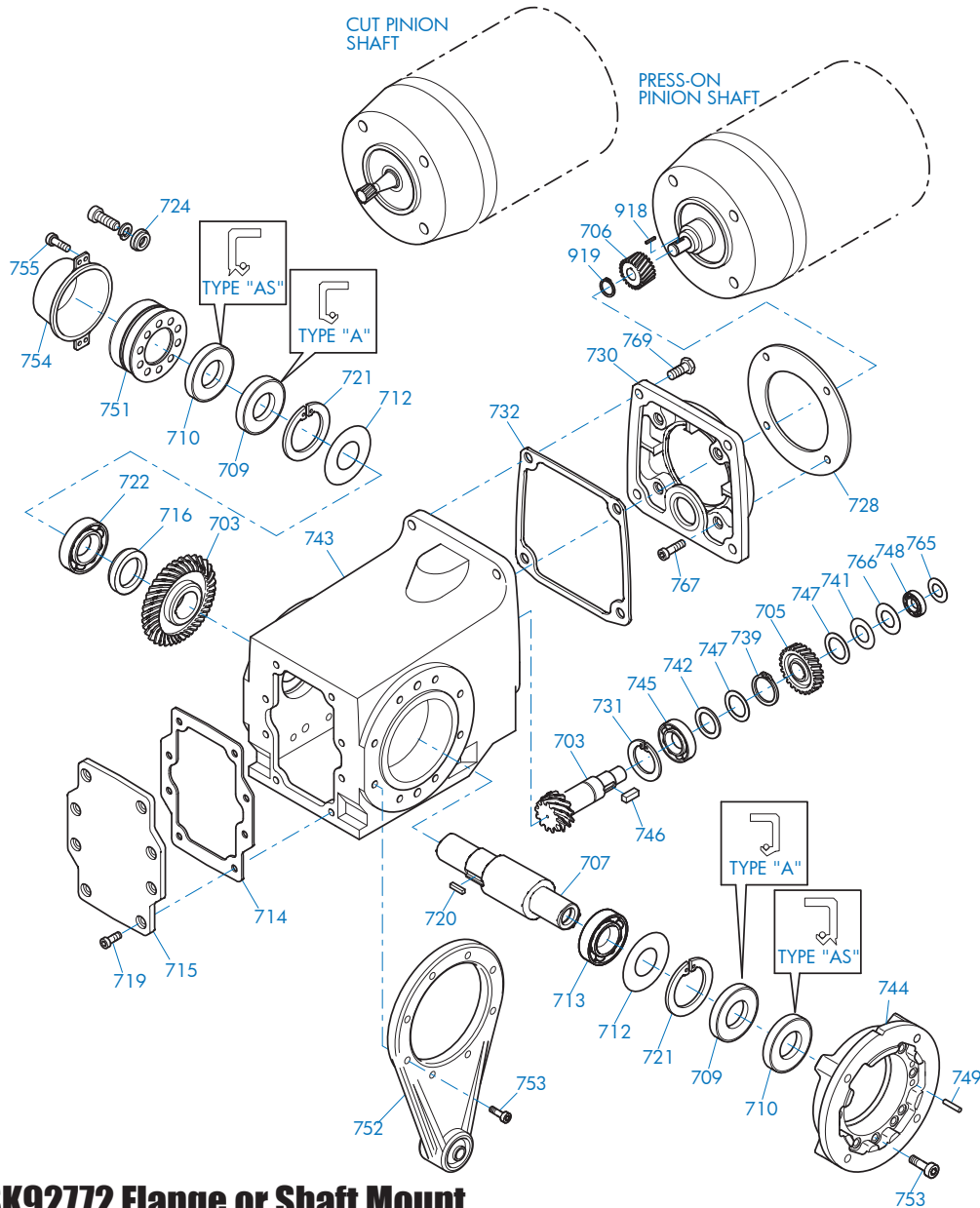
**NORD Gear Corporation**

Toll Free in the United States: 888.314.6673





# 92 SERIES HELICAL-BEVEL PARTS LIST DRAWINGS



## SK 92172 - SK92772 Flange or Shaft Mount

703 Bevel Gearset	722 Anti-Friction Bearing	748 Anti-Friction Bearing
705 Gear	724 Fixing Element Kit	749 Grooved Pin
706 Pinion	728 Gasket	751 Shrink Disc Connector
707 Output Shaft	730 Input Cover	752 Torque Arm
709 Oil Seal	731 Snap Ring	753 Bolt
710 Oil Seal	732 Gasket	754 Cover
712 Shim	739 Snap Ring	755 Bolt
713 Anti-Friction Bearing	741 Shim	765 Shim
714 Gasket	742 Thrust Washer	766 Snap Ring
715 Inspection Cover	743 Gearcase	767 Bolt
716 Spacer	744 Flange	769 Bolt
719 Bolt	745 Anti-Friction Bearing	918 Key
720 Key	746 Key	919 Snap Ring
721 Snap Ring	747 Shim	



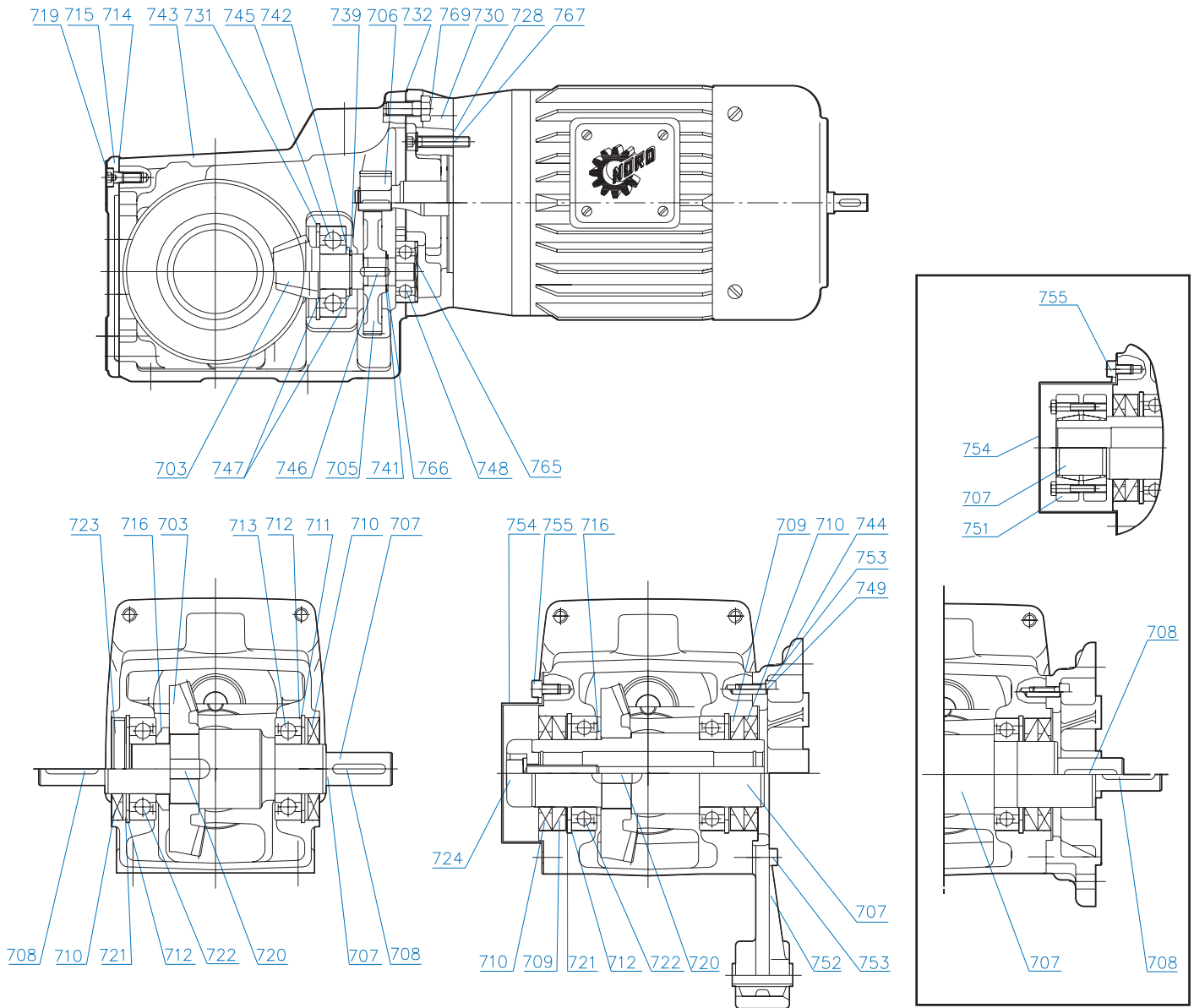
# 92 SERIES HELICAL-BEVEL PARTS LIST DRAWINGS



DRIVESYSTEMS

RETAIN FOR FUTURE USE

U15400 - 7 of 7



## SK 92172 - SK 92712

703 Bevel Gearset	720 Key	745 Anti-Friction Bearing
705 Gear	721 Snap Ring	746 Key
706 Pinion	722 Anti-Friction Bearing	747 Shim
707 Output Shaft	723 Sealing Plug	748 Anti-Friction Bearing
708 Key	724 Fixing Element Kit	749 Grooved Pin
709 Oil Seal	728 Gasket	751 Shrink Disc Connector
710 Oil Seal	730 Gearbox Cover	752 Torque Arm
711 Snap Ring	731 Snap Ring	753 Bolt
712 Shim	732 Gasket	754 Cover
713 Anti-Friction Bearing	739 Snap Ring	755 Bolt
714 Gasket	741 Shim	765 Slotted Round Nut
715 Inspection Cover	742 Thrust Washer	766 Tab Lock Washer
716 Spacer	743 Gearcase	767 Bolt
719 Bolt	744 Flange	769 Hexagonal Screw

**NORD Gear Limited**

Toll Free in Canada: 800.668.4378

**NORD Gear Corporation**

Toll Free in the United States: 888.314.6673

06.09.09

[www.nord.com/docs](http://www.nord.com/docs)



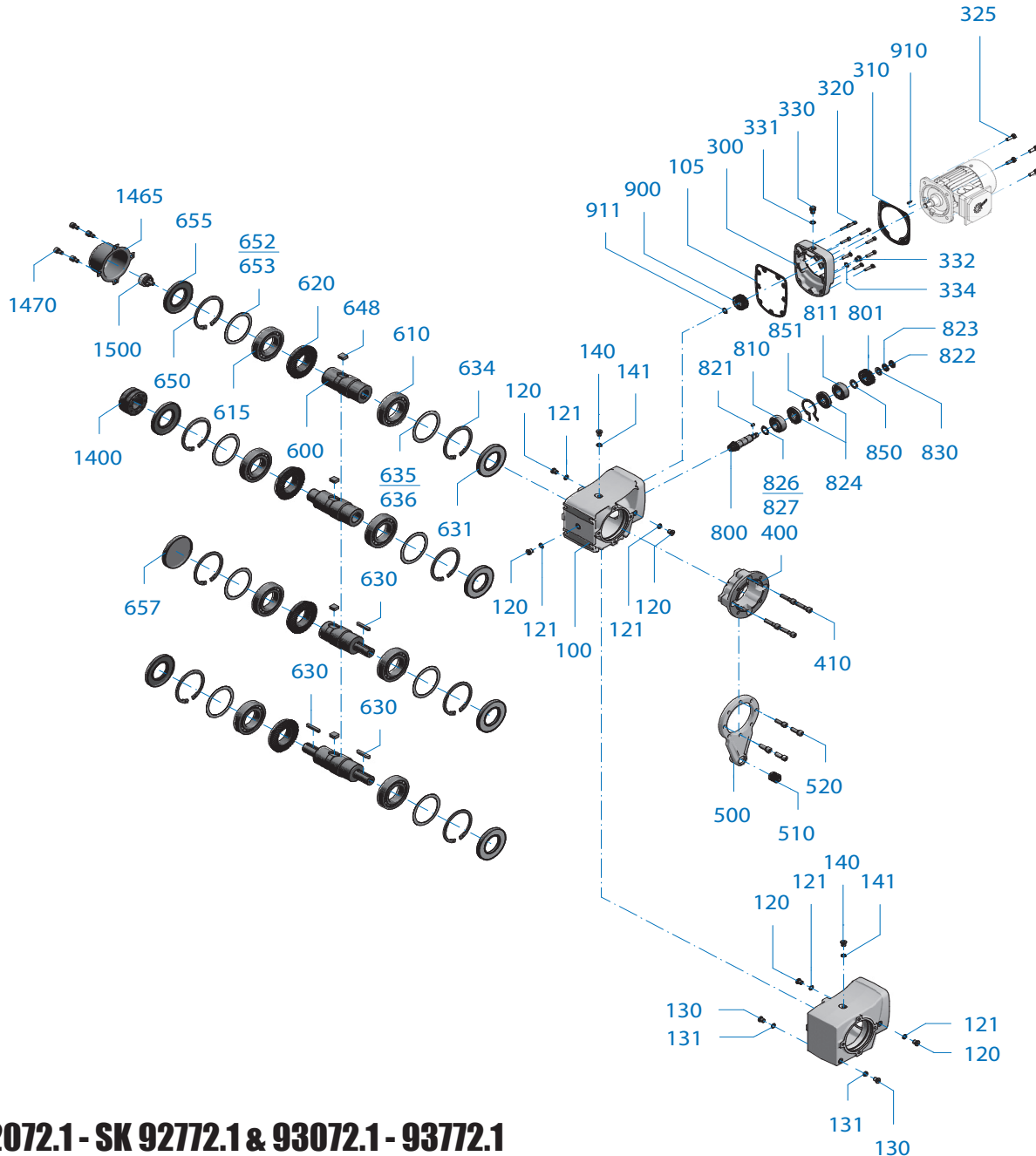
DRIVESYSTEMS

# 92.1/93.1 SERIES HELICAL-BEVEL PARTS LIST DRAWINGS

RETAIN FOR FUTURE USE



U15415 - 1 of 1



## SK 92072.1 - SK 92772.1 & 93072.1 - 93772.1

100 Housing	330 Screw	620 Output gear	800 Pinion shaft	850 Socket
105 Seal	331 Seal	630 Key	801 Drive gear	851 Circlip
120 Screw	332 Screw	631 Radial shaft seal	810 Roller bearing	900 Driving pinion
121 Seal	334 Seal	650 Circlip	811 Roller bearing	910 Key
130 Screw	400 Flange	635 Shim	820 Circlip	911 Circlip
131 Seal	410 Screw	636 Shim	630 Key	1400 Shrink disc assembly
140 Screw	500 Torque arm	648 Key	650 Circlip	1465 Cover
141 Seal	510 Socket	650 Circlip	652 Shim	1470 Screw
300 Gear unit cover	520 Screw	653 Shim	657 Sealing cap	1500 Fixing element
310 Seal	600 Output shaft	655 Radial shaft seal		
320 Screw	610 Roller bearing	657 Sealing cap		
325 Screw	615 Roller bearing			
			800 Pinion shaft	
			801 Drive gear	
			810 Roller bearing	
			811 Roller bearing	
			820 Circlip	
			822 Locknut	
			823 Tab washer	
			824 Socket	
			826 Shim	
			827 Shim	
			830 Supporting disc	

**NORD Gear Limited**

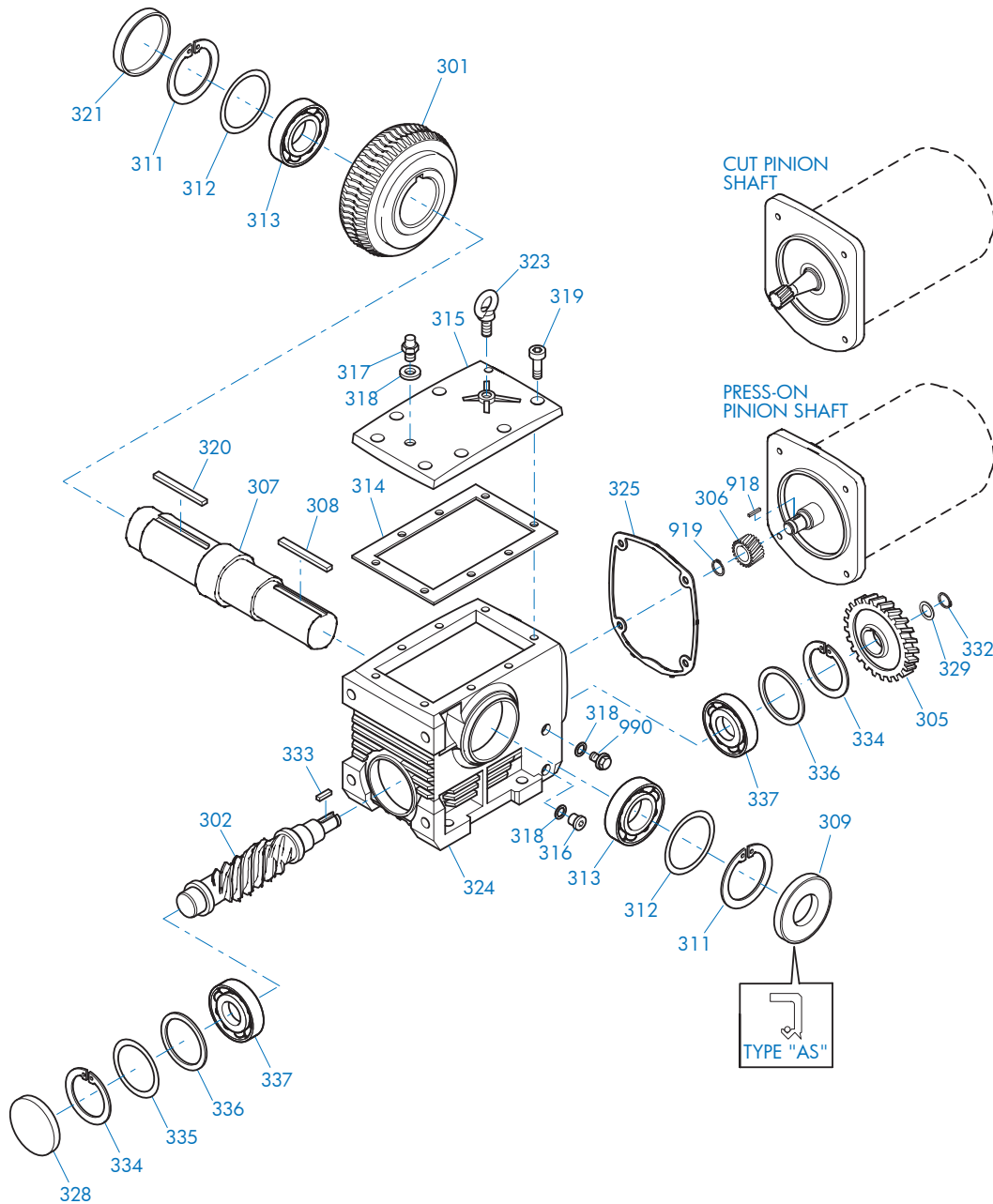
Toll Free in Canada: 800.668.4378

**NORD Gear Corporation**

Toll Free in the United States: 888.314.6673



# HELICAL-WORM PARTS LIST DRAWINGS

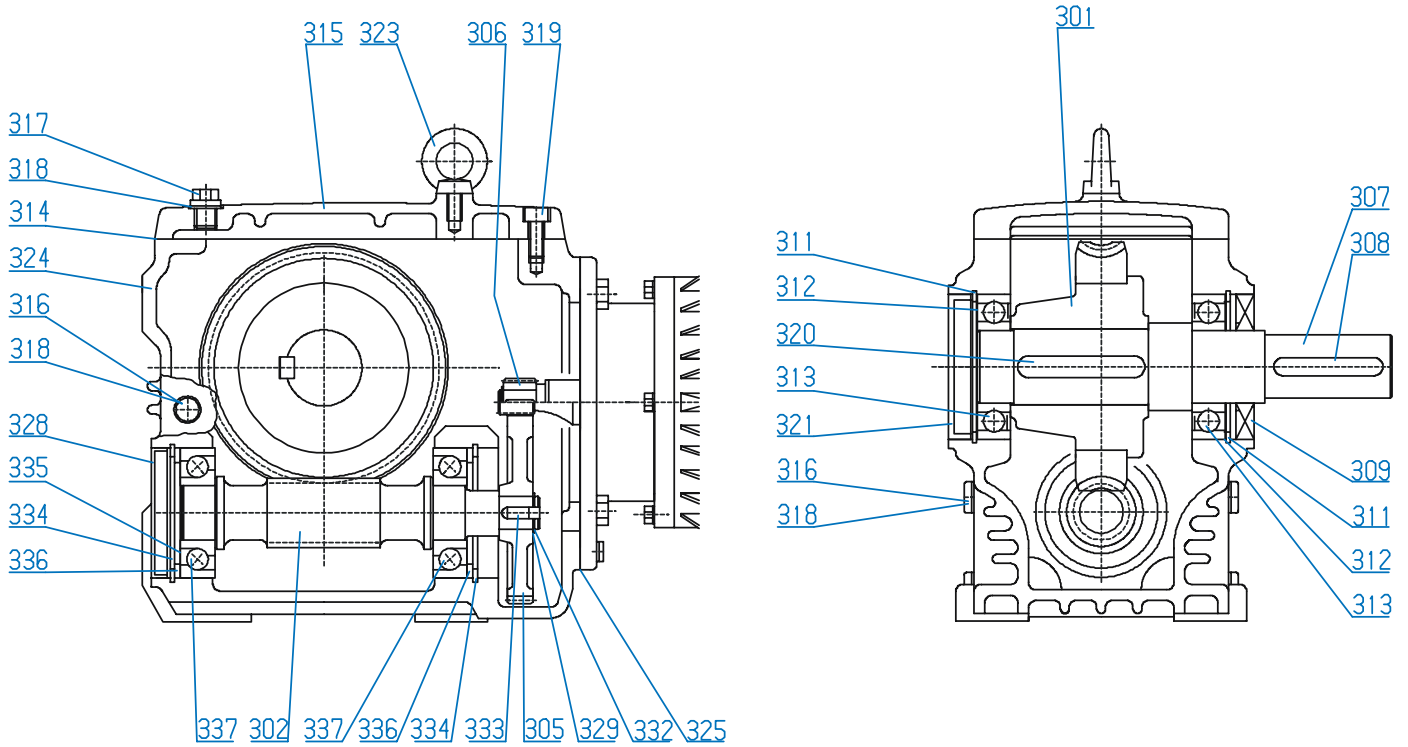


## SK 02040 - SK 42125 Foot Mounted

301 Worm Wheel	315 Inspection Cover	329 Thrust Washer
302 Worm	316 Drain Plug	332 Snap Ring
305 Gear	317 Vent Plug	333 Key
306 Pinion	318 Gasket	334 Snap Ring
307 Output Shaft	319 Socket Head Screw	335 Shim
308 Key	320 Key	336 Thrust Washer
309 Oil Seal	321 Bore Plug	337 Anti-Friction Bearing
311 Snap Ring	323 Flanged Eye Bolt	918 Key
312 Shim	324 Gearcase	919 Snap Ring
313 Anti-Friction Bearing	325 Gasket	990 Oil Level Plug
314 Gasket	328 Bore Plug	



# HELICAL-WORM PARTS LIST DRAWINGS



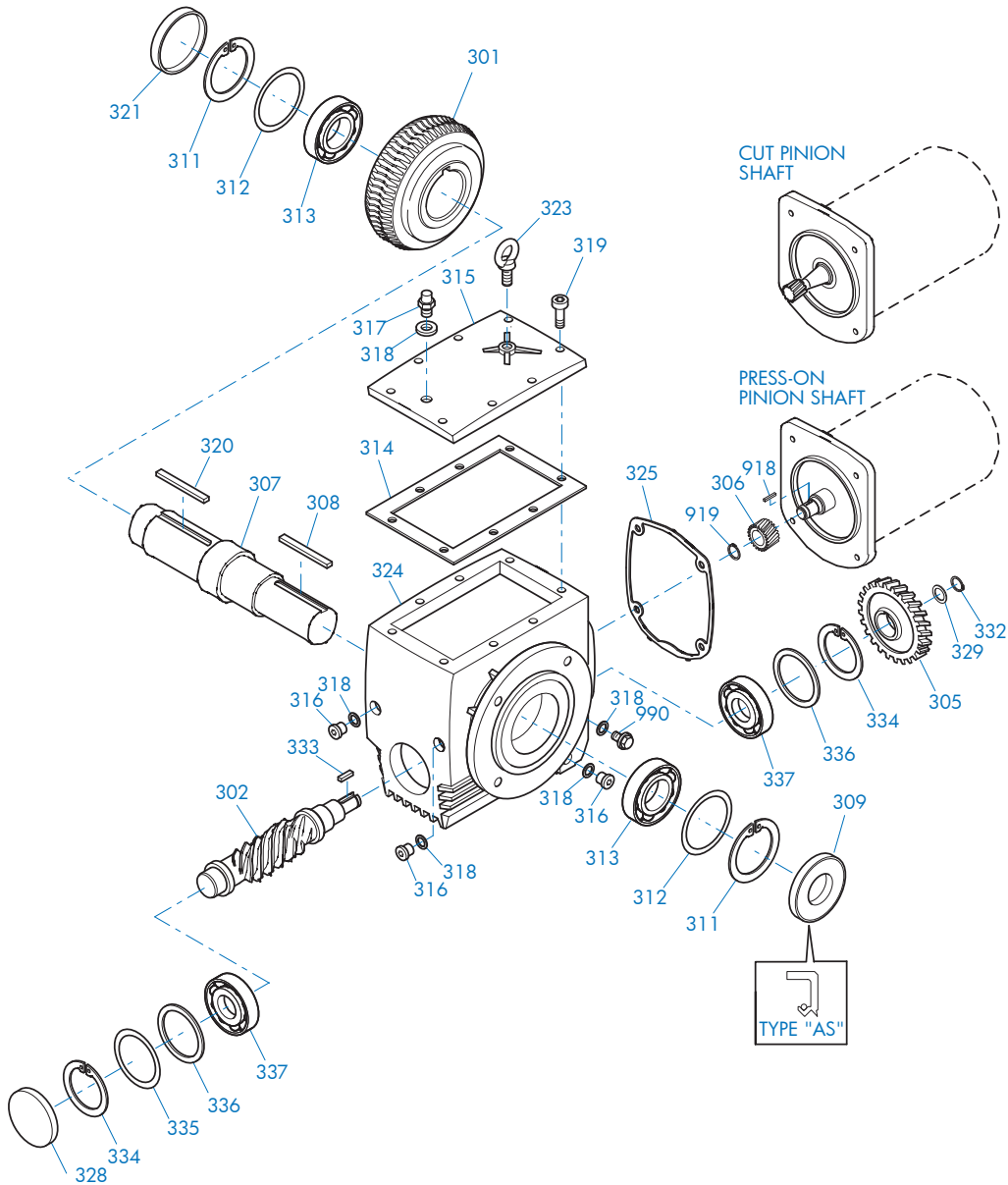
## SK 02040 - SK 42125 Foot Mounted

301 Worm Wheel	314 Gasket	325 Gasket
302 Worm	315 Inspection Cover	328 Bore Plug
305 Gear	316 Drain Plug	329 Thrust Washer
306 Pinion	317 Vent Plug	332 Snap Ring
307 Output Shaft	318 Gasket	333 Key
308 Key	319 Socket Head Screw	334 Snap Ring
309 Oil Seal	320 Key	335 Shim
311 Snap Ring	321 Bore Plug	336 Thrust Washer
312 Shim	323 Flanged Eye Bolt	337 Anti-Friction Bearing
313 Anti-Friction Bearing	324 Gearcase	



# HELICAL-WORM PARTS LIST DRAWINGS

RETAIN FOR FUTURE USE



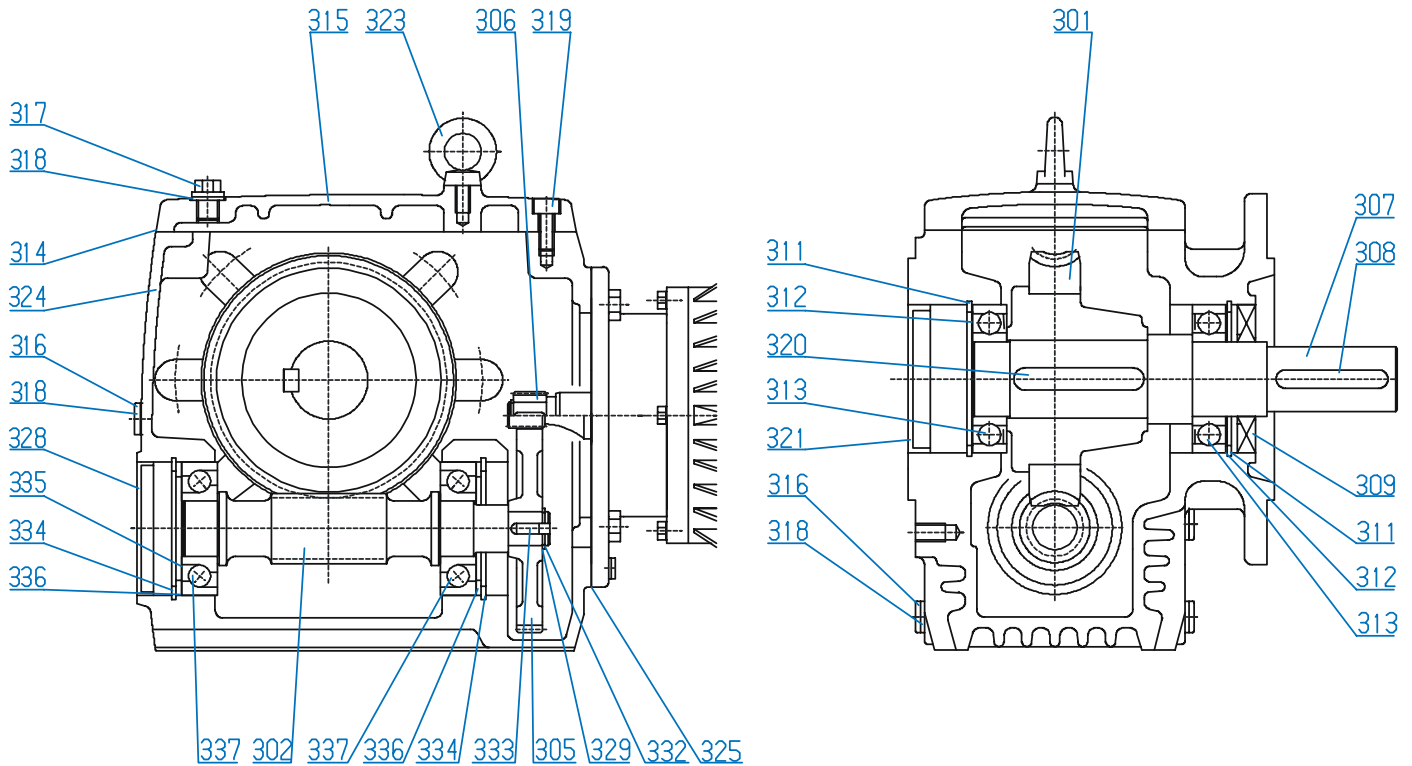
## SK 02040 - SK 42125 Flange Mounted

301 Worm Wheel	315 Inspection Cover	329 Thrust Washer
302 Worm	316 Drain Plug	332 Snap Ring
305 Gear	317 Vent Plug	333 Key
306 Pinion	318 Gasket	334 Snap Ring
307 Output Shaft	319 Socket Head Screw	335 Shim
308 Key	320 Key	336 Thrust Washer
309 Oil Seal	321 Bore Plug	337 Anti-Friction Bearing
311 Snap Ring	323 Flanged Eye Bolt	918 Key
312 Shim	324 Gearcase	919 Snap Ring
313 Anti-Friction Bearing	325 Gasket	990 Oil Level Plug
314 Gasket	328 Bore Plug	





# HELICAL-WORM PARTS LIST DRAWINGS

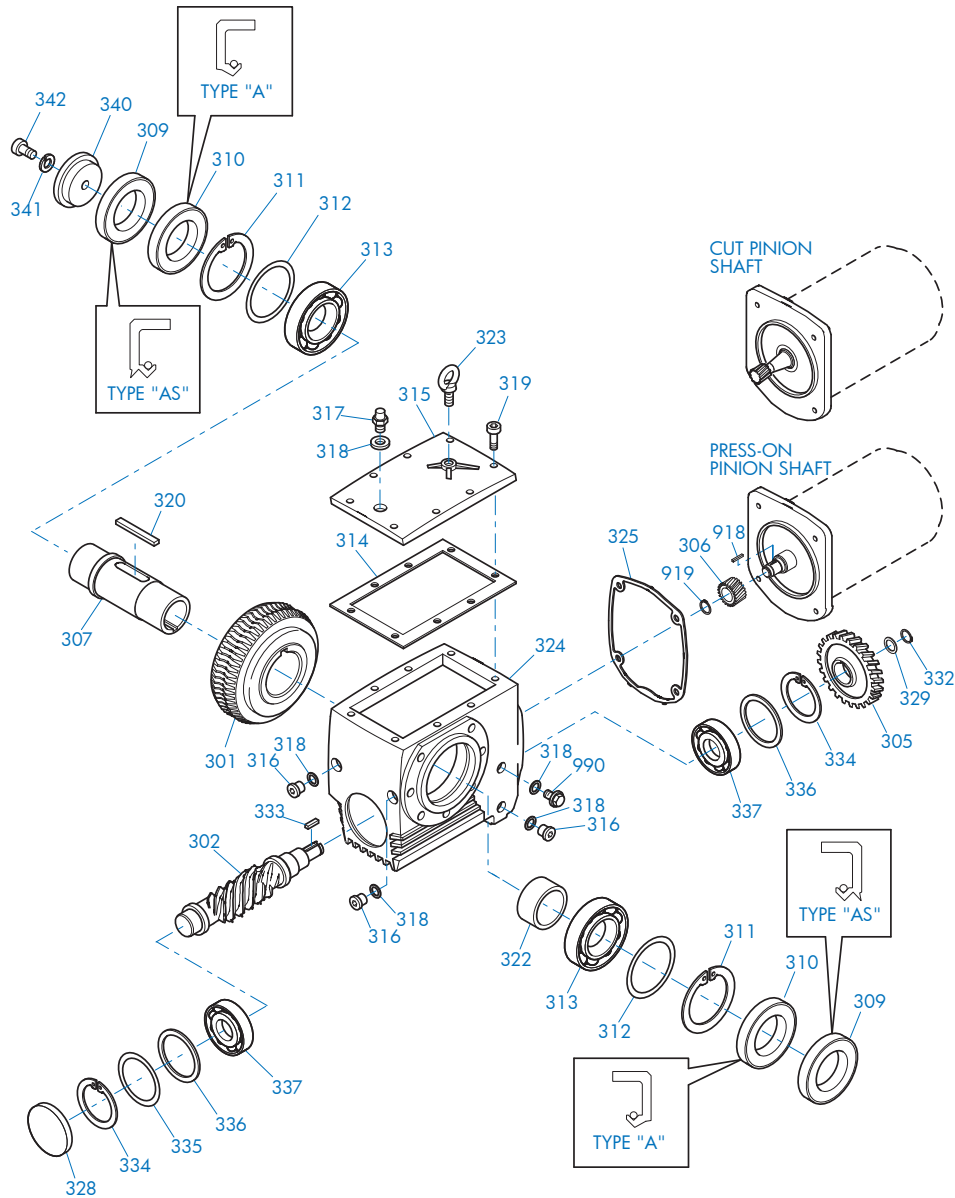


## SK 02040 - SK 42125 Flange Mounted

301 Worm Wheel	314 Gasket	325 Gasket
302 Worm	315 Inspection Cover	328 Bore Plug
305 Gear	316 Drain Plug	329 Thrust Washer
306 Pinion	317 Vent Plug	332 Snap Ring
307 Output Shaft	318 Gasket	333 Key
308 Key	319 Socket Head Screw	334 Snap Ring
309 Oil Seal	320 Key	335 Shim
311 Snap Ring	321 Bore Plug	336 Thrust Washer
312 Shim	323 Flanged Eye Bolt	337 Anti-Friction Bearing
313 Anti-Friction Bearing	324 Gearcase	



# HELICAL-WORM PARTS LIST DRAWINGS

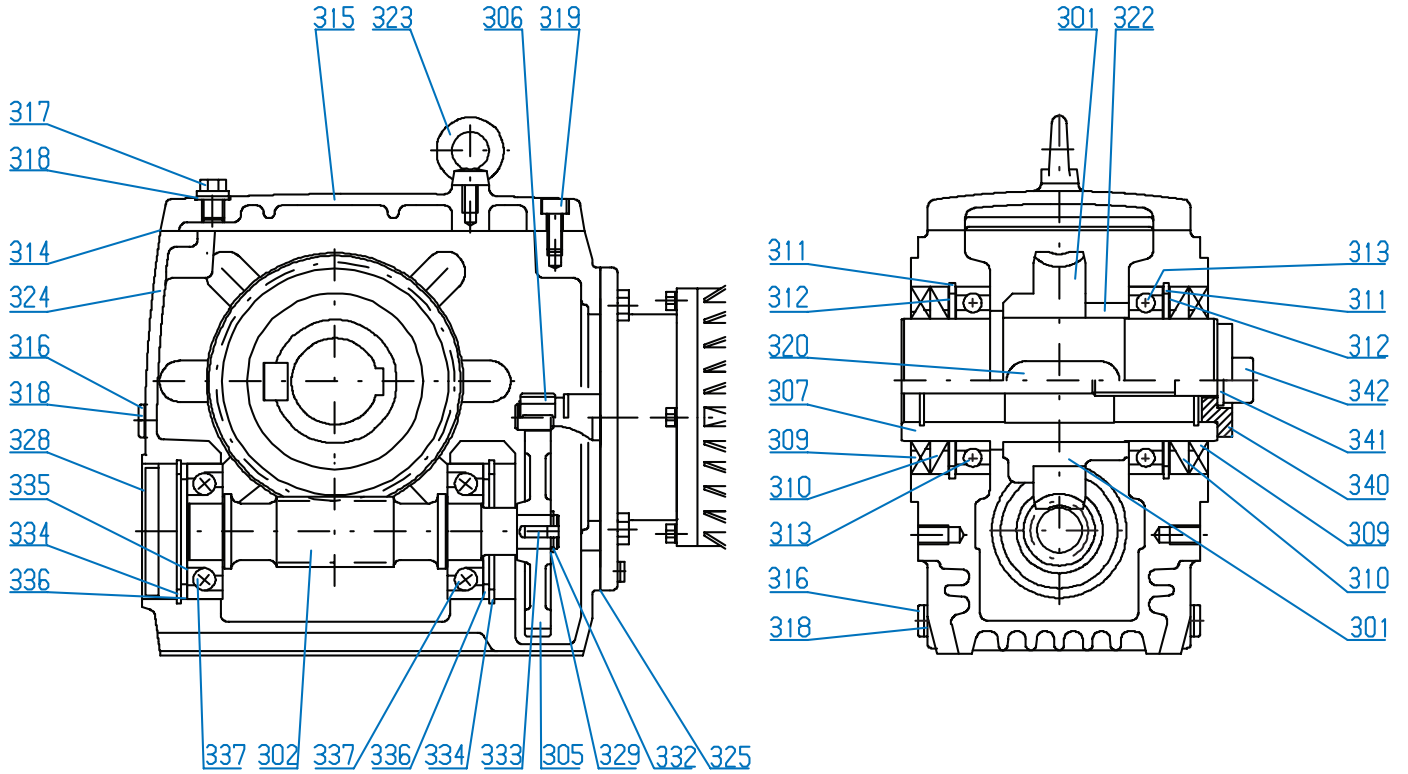


## SK 02040 - SK 42125 Shaft Mounted

301 Worm Wheel	317 Vent Plug	335 Shim
302 Worm	318 Gasket	336 Thrust Washer
305 Gear	319 Socket Head Screw	337 Anti-Friction Bearing
306 Pinion	320 Key	340 Retaining Washer
307 Output Shaft	322 Spacer	341 Lock Washer
309 Oil Seal	323 Flanged Eye Bolt	342 Bolt
310 Oil Seal	324 Gearcase	350 Flange
311 Snap Ring	325 Gasket	351 Bolt
312 Shim	328 Bore Plug	355 Key
313 Anti-Friction Bearing	329 Thrust Washer	918 Snap Ring
314 Gasket	332 Snap Ring	990 Oil Level Plug
315 Inspection Cover	333 Key	
316 Drain Plug	334 Snap Ring	



# HELICAL-WORM PARTS LIST DRAWINGS

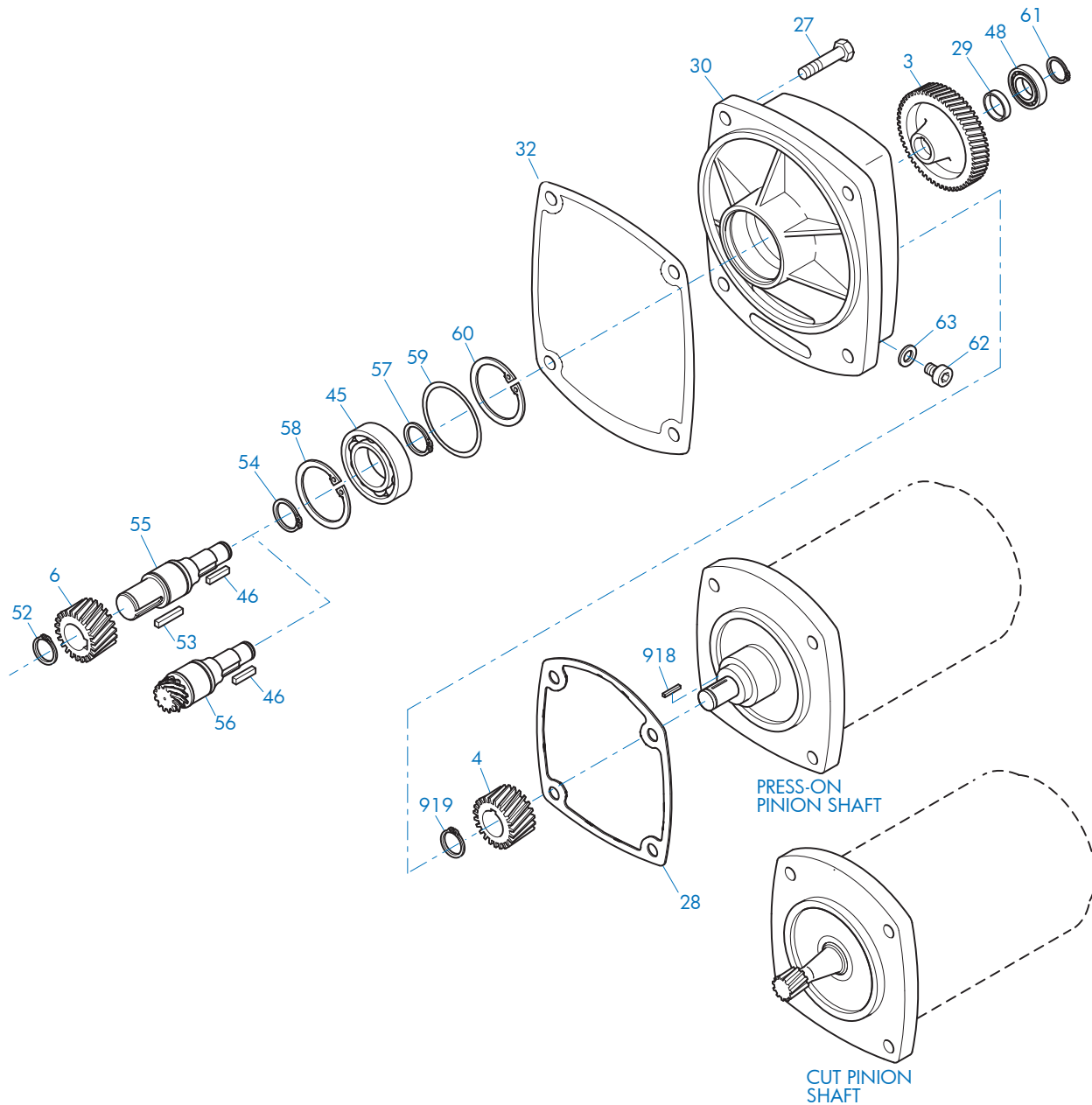


## SK 02040 - SK 42125 Shaft Mounted

301 Worm Wheel	316 Drain Plug	333 Key
302 Worm	317 Vent Plug	334 Snap Ring
305 Gear	318 Gasket	335 Shim
306 Pinion	319 Socket Head Screw	336 Thrust Washer
307 Output Shaft	320 Key	337 Anti-Friction Bearing
309 Oil Seal	322 Spacer	340 Retaining Washer
310 Oil Seal	323 Flanged Eye Bolt	341 Lock Washer
311 Snap Ring	324 Gearcase	342 Bolt
312 Shim	325 Gasket	350 Flange
313 Anti-Friction Bearing	328 Bore Plug	351 Bolt
314 Gasket	329 Thrust Washer	
315 Inspection Cover	332 Snap Ring	



# HELICAL-WORM PARTS LIST DRAWINGS

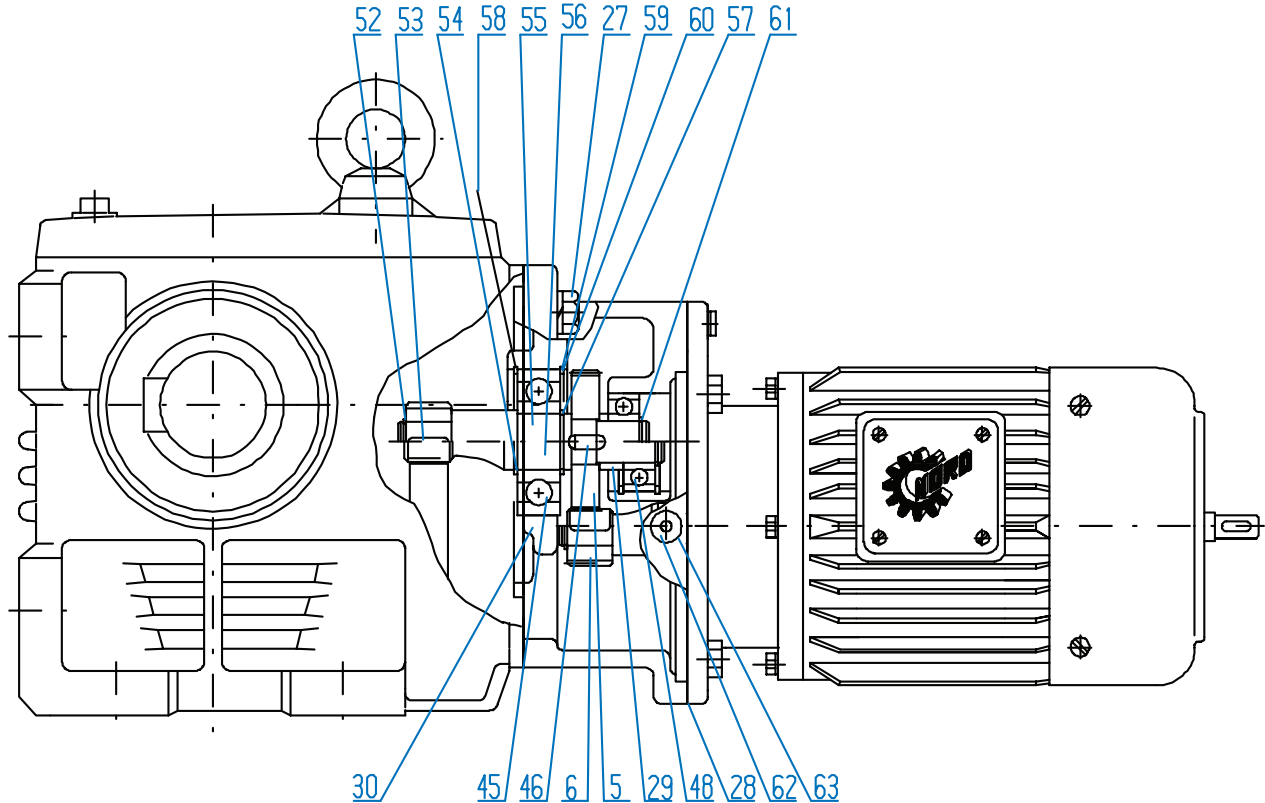


## SK13050 - SK43125 Third Stage Reduction Gear

3	Gear	46	Key	59	Shim
4	Pinion	48	Anti-Friction Bearing	60	Snap Ring
6	Pinion	52	Snap Ring	61	Snap Ring
27	Bolt	53	Key	62	Oil Plug
28	Gasket	54	Snap Ring	63	Gasket
29	Spacer	55	Intermediate Shaft, Plain	918	Key
30	Third Reduction Gearcase	56	Intermediate Shaft, Gearcut	919	Snap Ring
32	Gasket	57	Snap Ring		
45	Anti-Friction Bearing	58	Snap Ring		

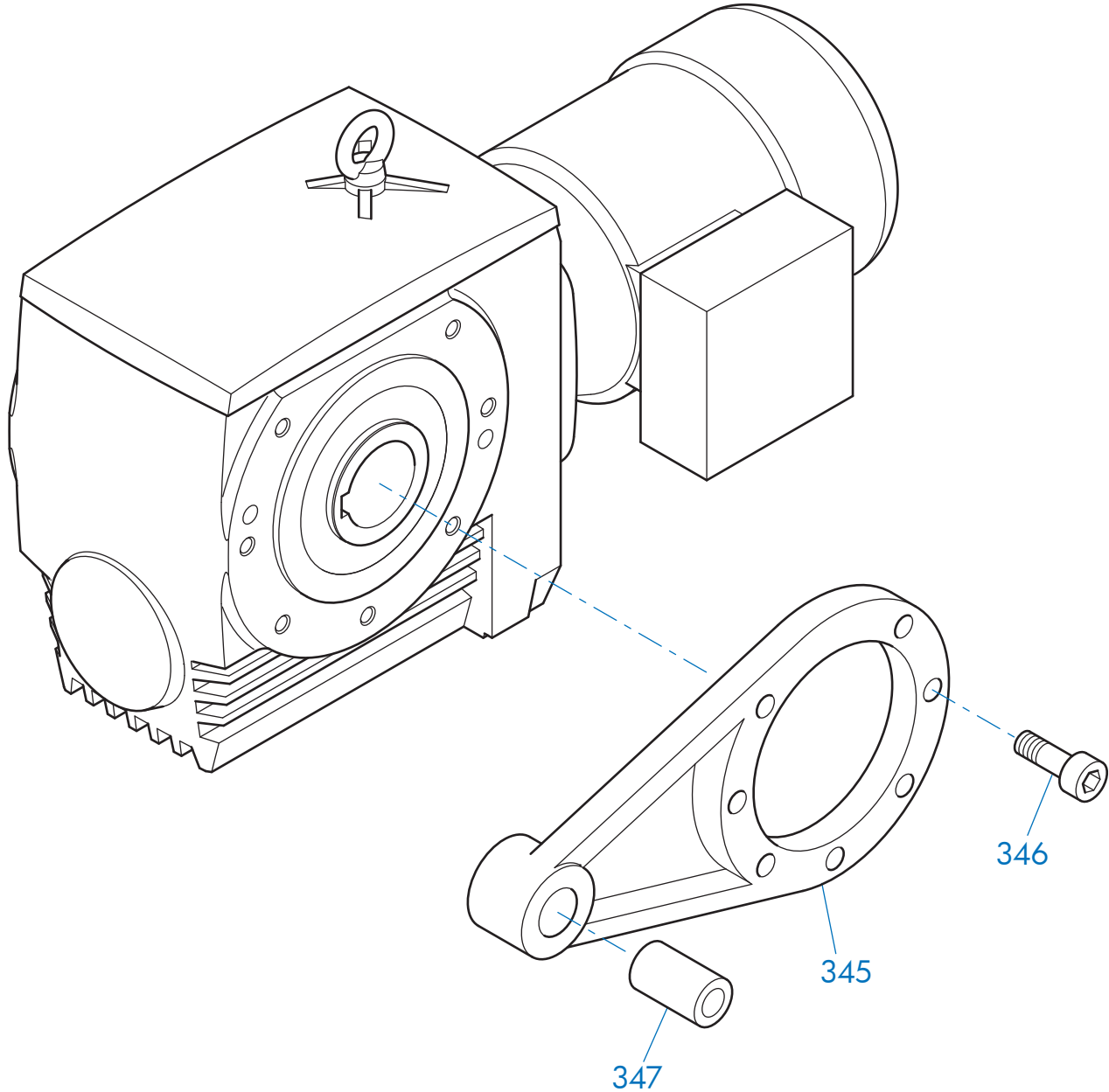


# HELICAL-WORM PARTS LIST DRAWINGS



## SK13050 - SK43125 Third Stage Reduction Gear

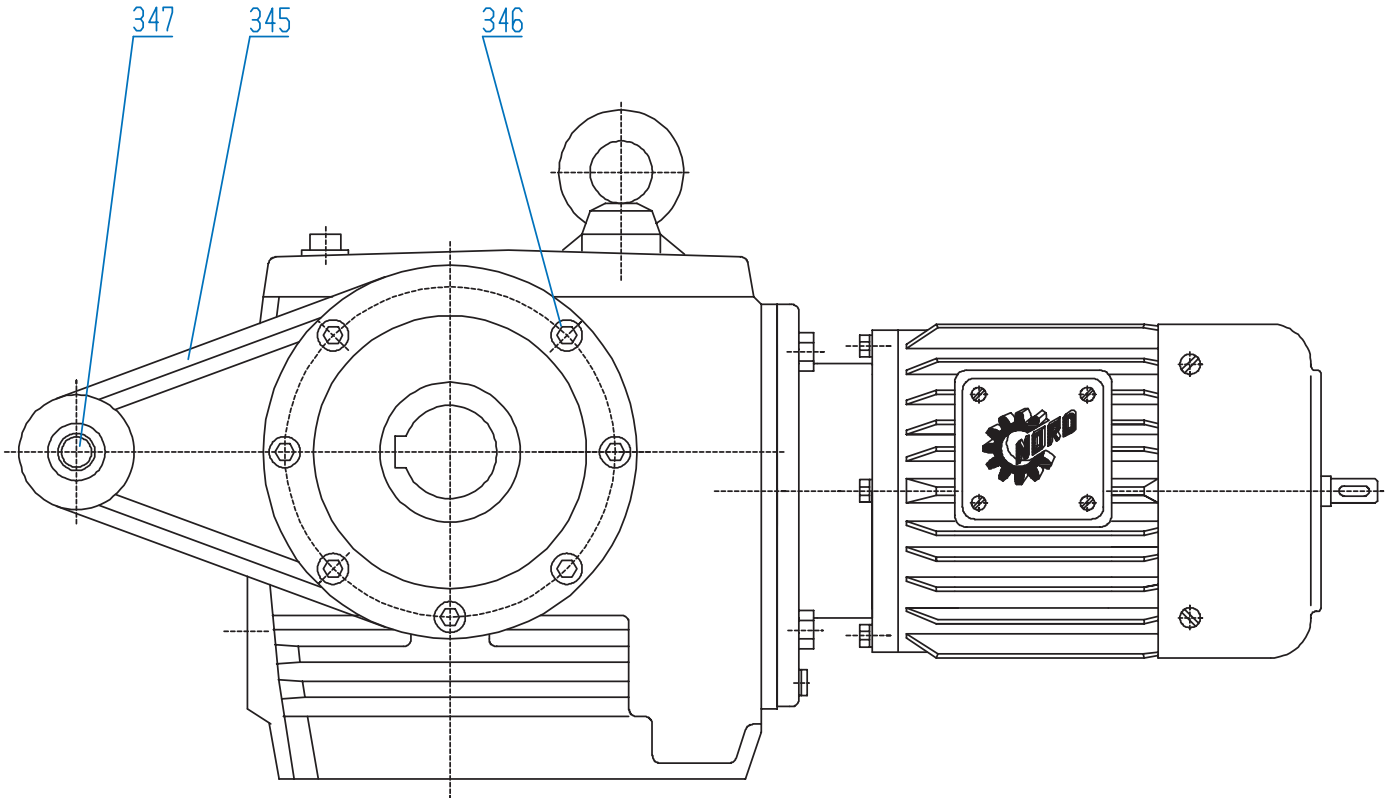
3	Gear	46	Key	58	Snap Ring
4	Pinion	48	Anti-Friction Bearing	59	Shim
27	Bolt	52	Snap Ring	60	Snap Ring
28	Gasket	53	Key	61	Snap Ring
29	Spacer	54	Snap Ring	62	Oil Plug
30	Third Reduction Gearcase	55	Intermediate Shaft, Plain	63	Gasket
32	Gasket	56	Intermediate Shaft, Gearcut		
45	Anti-Friction Bearing	57	Snap Ring		



## SK13050 - SK43125 Torque Arm

345 Torque Arm	346 Bolt	347 Bushing
----------------	----------	-------------





## SK13050 - SK43125 Torque Arm

345 Torque Arm

346 Bolt

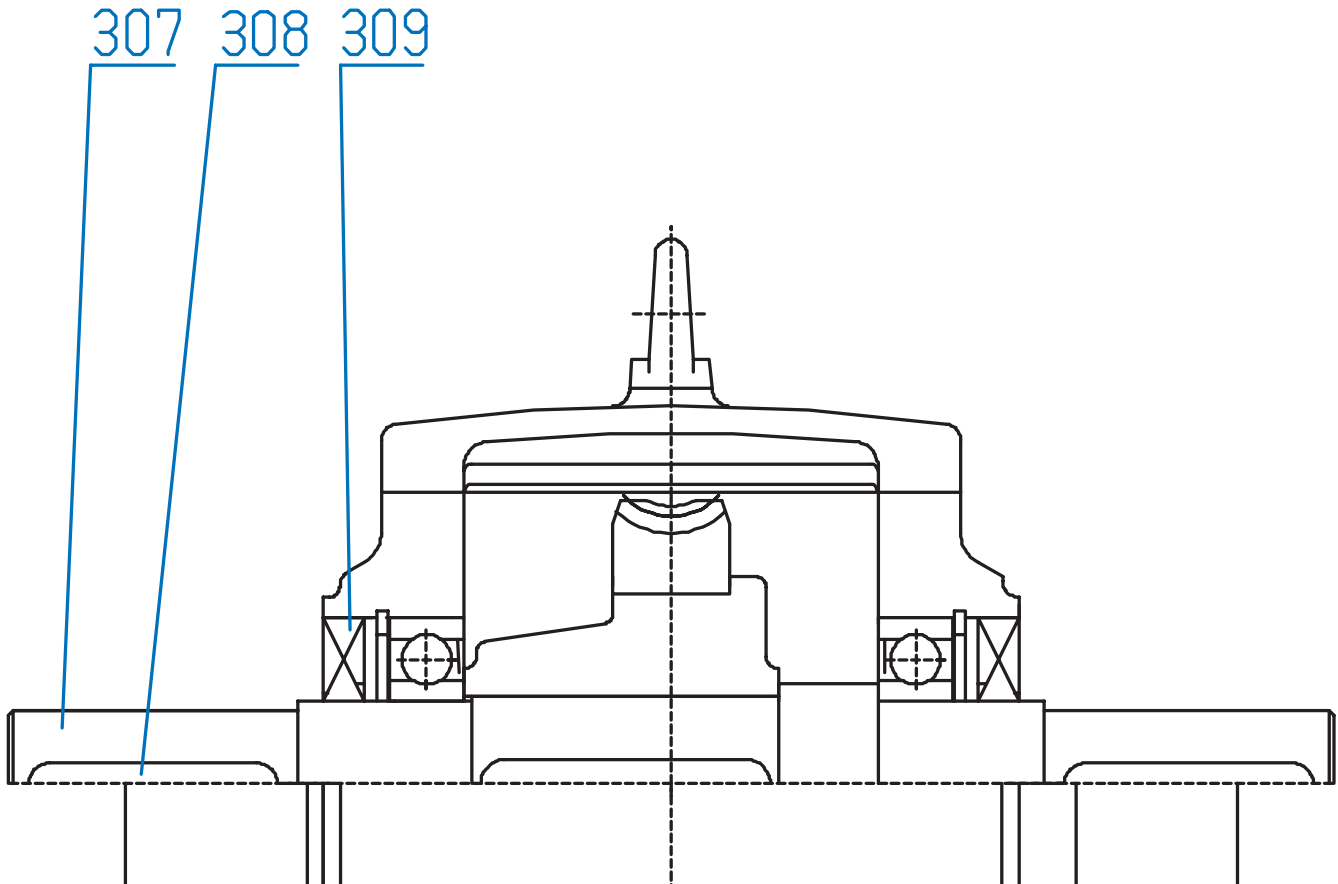
347 Bushing

**NORD Gear Limited**

Toll Free in Canada: 800.668.4378

**NORD Gear Corporation**

Toll Free in the United States: 888.314.6673



## SK13050 - SK43125

307 Output Shaft  
308 Key

309 Oil Seal  
346 Screw

350 Flange  
354 Shrink Disc Connector



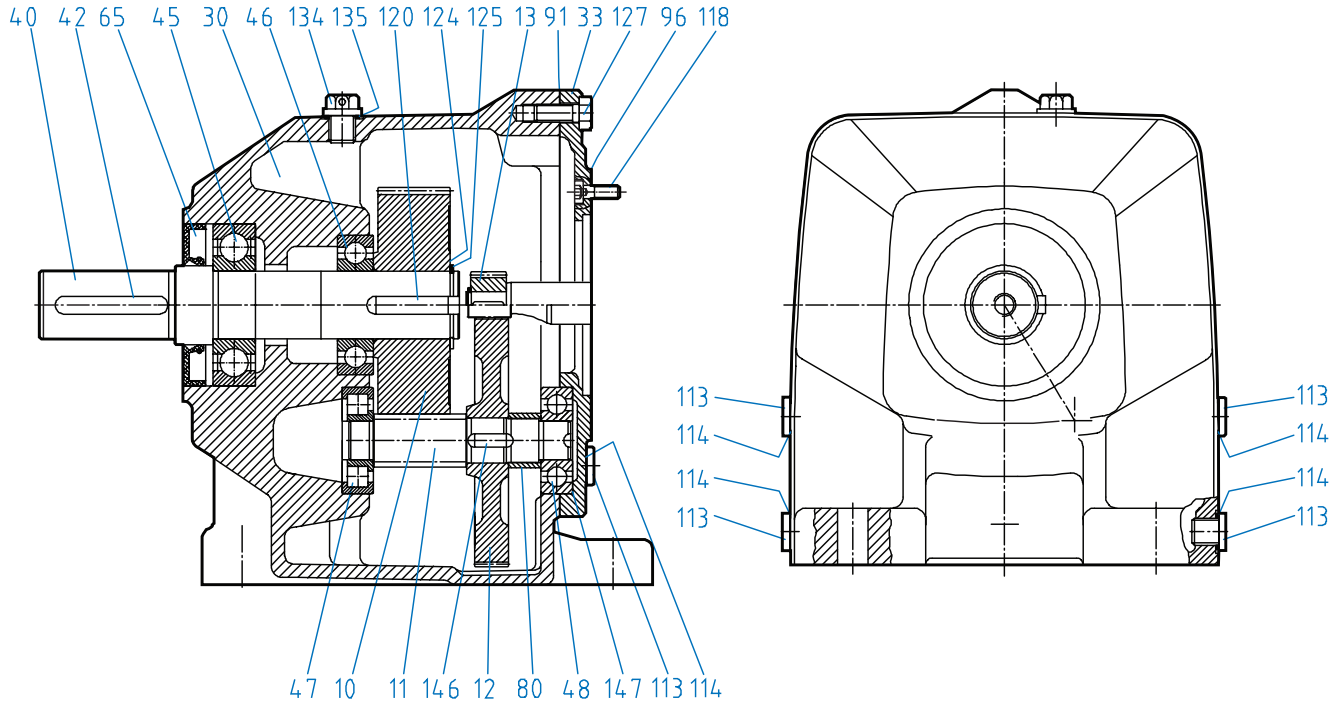
DRIVESYSTEMS

# NORDBLOC® PARTS LIST DRAWINGS

RETAIN FOR FUTURE USE



U15600 - 1 of 4



## SK 172 - SK 972 Foot Mounted

10	Driven gear	46	Output shaft bearing	118	Bolt
11	Pinion shaft	47	Pinion shaft bearing	120	Key
12	Driving gear	48	Pinion shaft bearing	124	Shim
13	Driving pinion	65	Shaft seal	125	Snap ring
30	Gearcase	80	Spacer	127	Bolt
33	Input cover	91	Gasket	134	Vent plug
40	Output shaft	96	Gasket	135	Gasket
42	Key	113	Oil plug	146	Key
45	Output shaft bearing	114	Gasket	147	Shim

**NORD Gear Limited**

Toll Free in Canada: 800.668.4378

**NORD Gear Corporation**

Toll Free in the United States: 888.314.6673



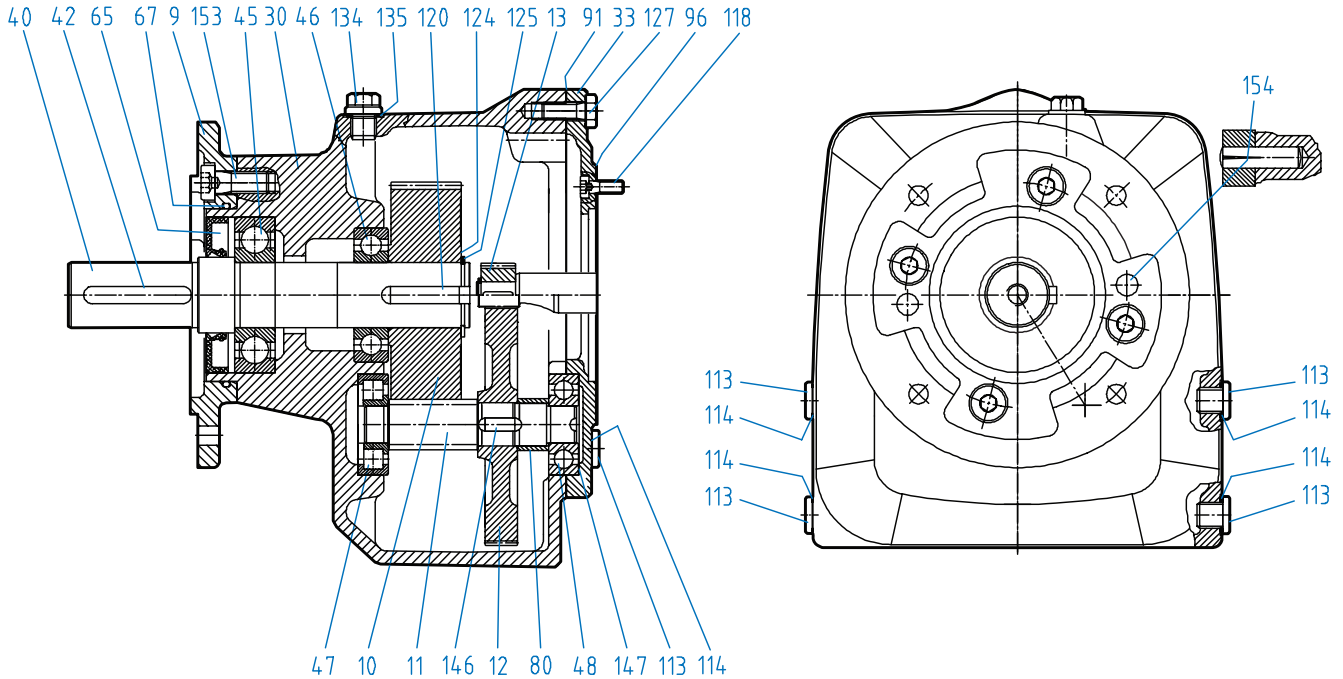
DRIVESYSTEMS

# NORDBLOC® PARTS LIST DRAWINGS



U15600 - 2 of 4

RETAIN FOR FUTURE USE



## SK 172 - SK 972 Flange Mounted

9	Flange	47	Pinion shaft bearing	124	Shim
10	Driven gear	48	Pinion shaft bearing	125	Snap ring
11	Pinion shaft	65	Shaft seal	127	Bolt
12	Driving gear	67	O-Ring	134	Vent plug
13	Driving pinion	80	Spacer	135	Gasket
30	Gearcase	91	Gasket	146	Key
33	Input cover	96	Gasket	147	Shim
40	Output shaft	113	Oil plug	153	Bolt
42	Key	114	Gasket	154	Grooved dowel pin
45	Output shaft bearing	118	Bolt		
46	Output shaft bearing	120	Key		

**NORD Gear Limited**

Toll Free in Canada: 800.668.4378

**NORD Gear Corporation**

Toll Free in the United States: 888.314.6673



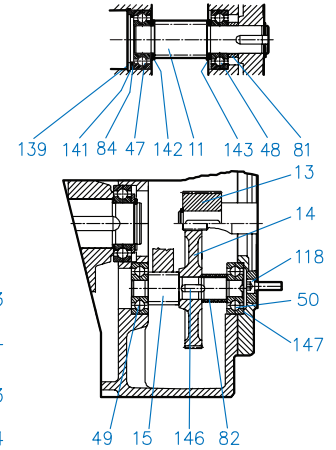
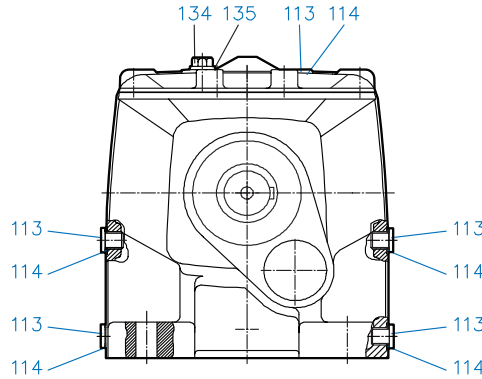
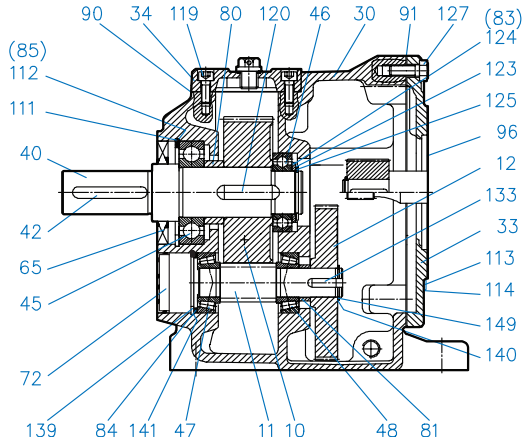
DRIVESYSTEMS

# NORDBLOC® PARTS LIST DRAWINGS

RETAIN FOR FUTURE USE



U15600 - 3 of 4



## SK 273 - SK 973 Foot Mounted

10	Driven gear	65	Shaft seal	120	Key
11	Pinion shaft	72	Bore plug	123	Thrust washer
12	Driving gear	80	Spacer	124	Shim
13	Driving pinion	81	Spacer	125	Snap ring
14	Driving gear	82	Spacer	127	Bolt
15	Pinion shaft	83	Thrust washer	133	Key
30	Gearcase	84	Thrust washer	134	Vent plug
33	Input cover	85	Thrust washer	135	Gasket
34	Gear case cover	90	Gasket	139	Snap ring
40	Output shaft	91	Gasket	140	Shim
42	Key	96	Gasket	141	Shim
45	Output shaft bearing	111	Snap ring	142	Thrust washer
46	Output shaft bearing	112	Shim	143	Thrust washer
47	Pinion shaft bearing	113	Oil plug	146	Key
48	Pinion shaft bearing	114	Gasket	147	Shim
49	Pinion shaft bearing	118	Bolt	149	Snap ring
50	Pinion shaft bearing	119	Bolt		

**NORD Gear Limited**

Toll Free in Canada: 800.668.4378

**NORD Gear Corporation**

Toll Free in the United States: 888.314.6673



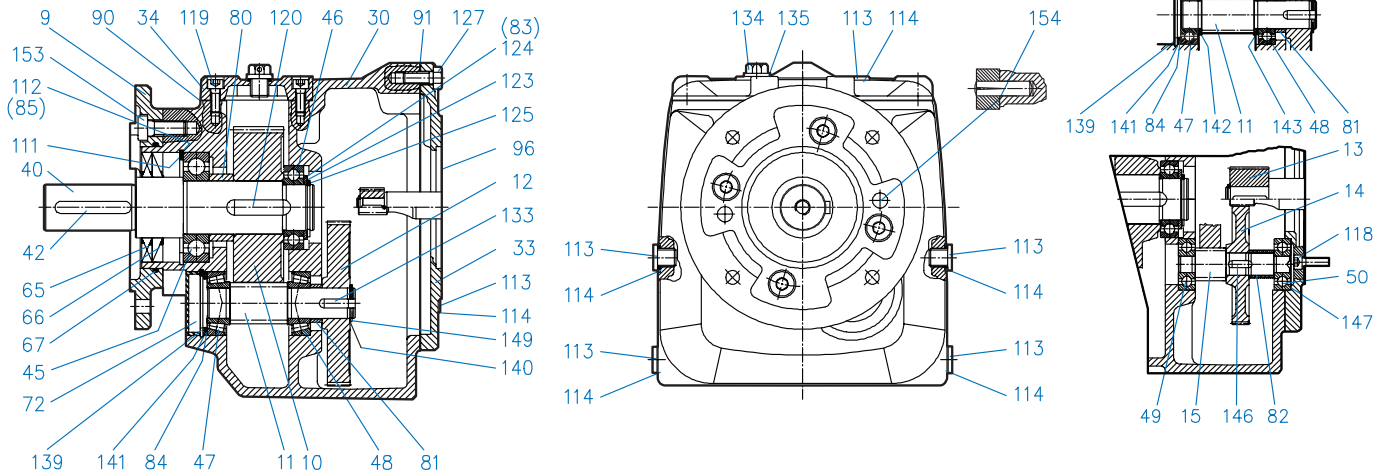
DRIVESYSTEMS

# NORDBLOC® PARTS LIST DRAWINGS



U15600 - 4 of 4

RETAIN FOR FUTURE USE



## SK 273 - SK 973 Flange Mounted

9	Flange	66	Shaft seal	123	Thrust washer
10	Driven gear	67	O-Ring	124	Shim
11	Pinion shaft	72	Bore plug	125	Snap ring
12	Driving gear	80	Spacer	127	Bolt
13	Driving pinion	81	Spacer	133	Key
14	Driving gear	82	Spacer	134	Vent plug
15	Pinion shaft	83	Thrust washer	135	Gasket
30	Gearcase	84	Thrust washer	139	Snap ring
33	Input cover	85	Thrust washer	140	Shim
34	Gearcase cover	90	Gasket	141	Shim
40	Output shaft	91	Gasket	142	Thrust washer
42	Key	96	Gasket	143	Thrust washer
45	Output shaft bearing	111	Snap ring	146	Key
46	Output shaft bearing	112	Shim	147	Shim
47	Pinion shaft bearing	113	Oil plug	149	Snap ring
48	Pinion shaft bearing	114	Gasket	153	Bolt
49	Pinion shaft bearing	118	Bolt	154	Grooved dowel pin
50	Pinion shaft bearing	119	Bolt		
65	Shaft seal	120	Key		

**NORD Gear Limited**

Toll Free in Canada: 800.668.4378

**NORD Gear Corporation**

Toll Free in the United States: 888.314.6673

06.09.09

[www.nord.com/docs](http://www.nord.com/docs)





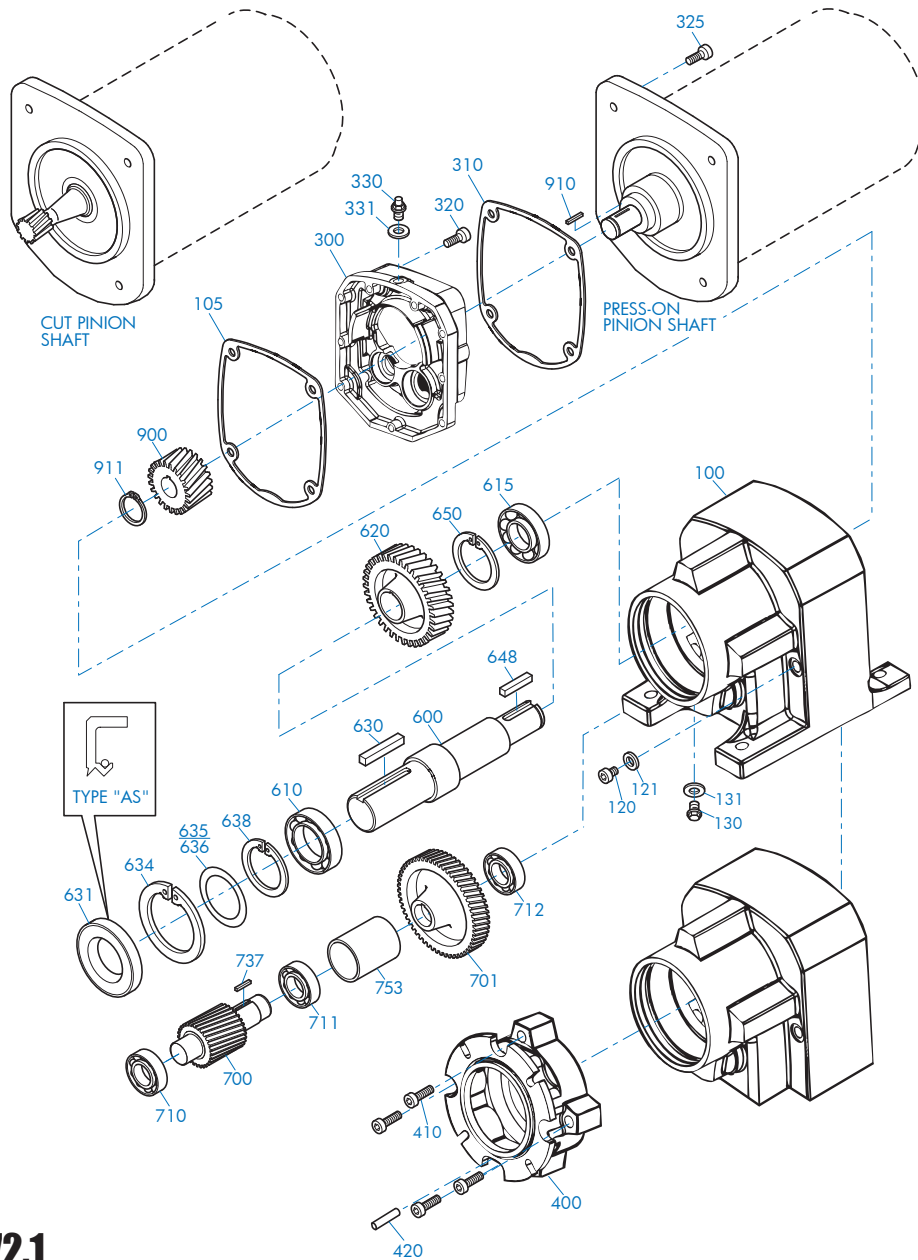
DRIVESYSTEMS

# NORDBLOC.1® PARTS LIST DRAWINGS

RETAIN FOR FUTURE USE



U15705 - 1 of 4



## SK 072.1 - SK 672.1

100 Gearcase	400 Flange	648 Key
105 Gasket	410 Bolt	650 Snap Ring
120 Drain Plug	420 Grooved Pin	700 Pinion Shaft
121 Gasket	600 Output Shaft	701 Driving Gear
130 Drain Plug	610 Anti-Friction Bearing	710 Anti-Friction Bearing
131 Gasket	615 Anti-Friction Bearing	711 Anti-Friction Bearing
300 Gearcase Cover	620 Gear	712 Anti-Friction Bearing
310 Gasket	630 Key	737 Key
320 Bolt	631 Oil Seal	745 Shim
325 Bolt	634 Snap Ring	753 Socket
326 Lock Washer	635 Shim	900 Driving Pinion
330 Vent Plug	636 Shim	910 Key
331 Seal	638 Snap Ring	911 Snap Ring

**NORD Gear Limited**

Toll Free in Canada: 800.668.4378

**NORD Gear Corporation**

Toll Free in the United States: 888.314.6673



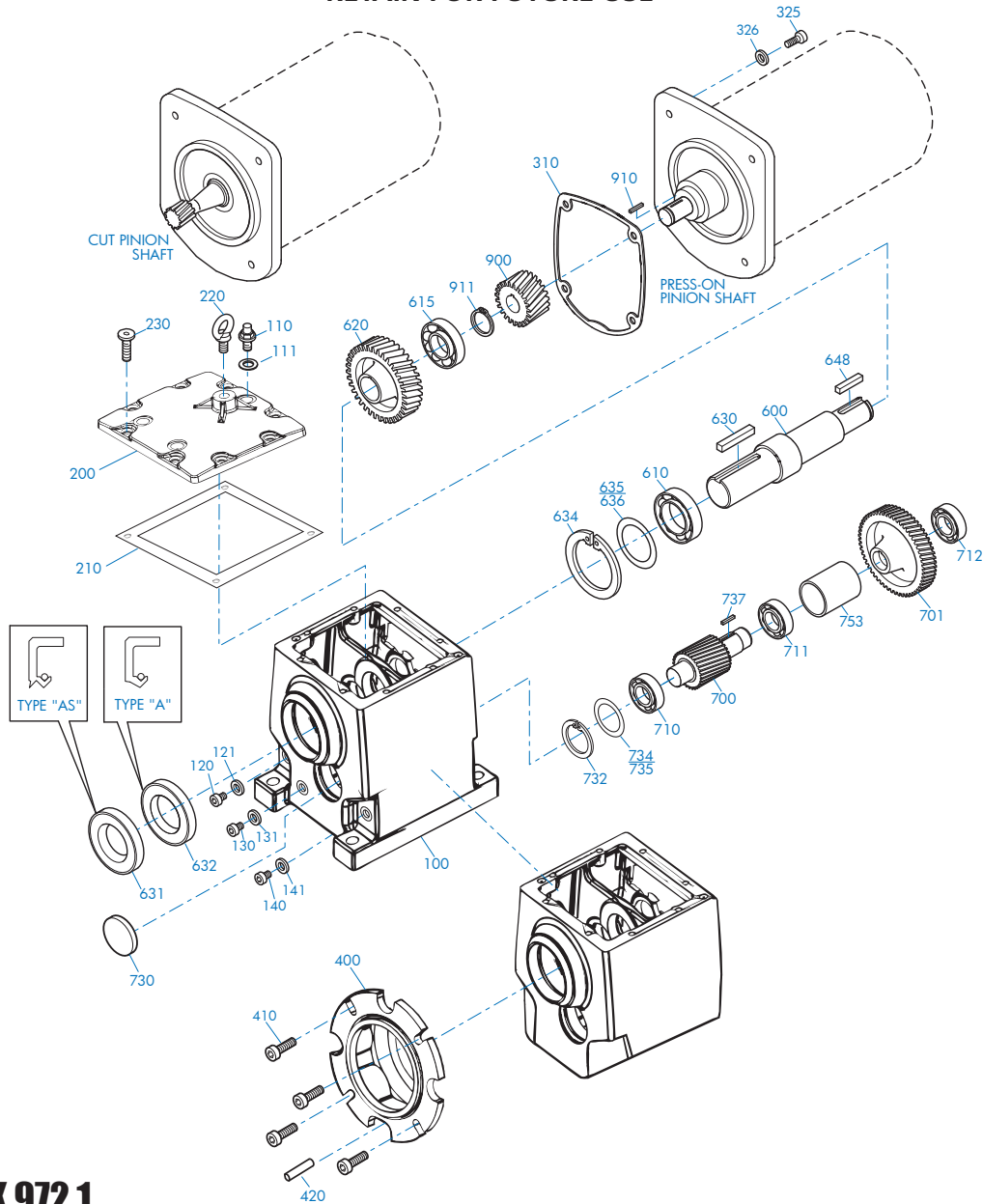
DRIVESYSTEMS

# NORDBLOC.1® PARTS LIST DRAWINGS

RETAIN FOR FUTURE USE



U15705 - 2 of 4



## SK 772.1 - SK 972.1

100 Gearcase	325 Bolt	636 Shim
110 Vent Plug	326 Lock Washer	648 Key
111 Seal	400 Flange	700 Pinion Shaft
120 Drain Plug	410 Bolt	701 Driving Gear
121 Gasket	420 Grooved Pin	710 Anti-Friction Bearing
130 Drain Plug	600 Output Shaft	711 Anti-Friction Bearing
131 Gasket	610 Anti-Friction Bearing	712 Anti-Friction Bearing
140 Drain Plug	615 Anti-Friction Bearing	734 Shim
141 Gasket	620 Gear	735 Shim
200 Housing Cover	630 Key	737 Key
210 Gasket	631 Oil Seal	753 Socket
220 Bolt	632 Oil Seal	900 Driving Pinion
230 Bolt	634 Snap Ring	910 Key
310 Seal	635 Shim	911 Snap Ring

**NORD Gear Limited**

Toll Free in Canada: 800.668.4378

**NORD Gear Corporation**

Toll Free in the United States: 888.314.6673



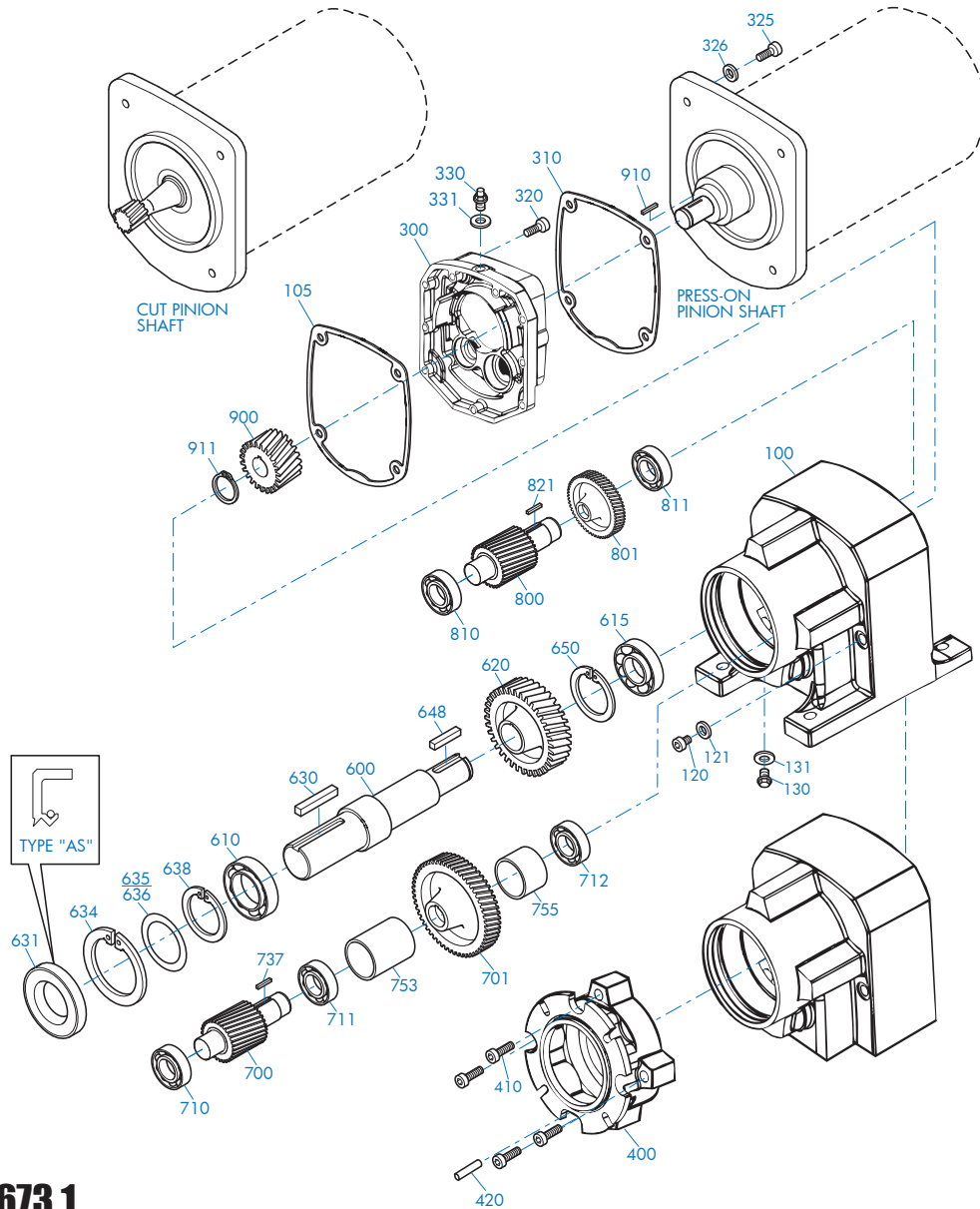
DRIVESYSTEMS

# NORDBLOC.1® PARTS LIST DRAWINGS

RETAIN FOR FUTURE USE



U15705 - 3 of 4



## SK 373.1 - SK 673.1

100	Gearcase	420	Grooved Pin	710	Anti-Friction Bearing
105	Gasket	600	Output Shaft	711	Anti-Friction Bearing
120	Drain Plug	610	Anti-Friction Bearing	712	Anti-Friction Bearing
121	Gasket	615	Anti-Friction Bearing	737	Key
130	Drain Plug	620	Gear	745	Shim
131	Gasket	630	Key	753	Socket
300	Gearcase Cover	631	Oil Seal	800	Pinion Shaft
310	Gasket	634	Snap Ring	801	Drive Gear
320	Bolt	635	Shim	810	Anti-Friction Bearing
325	Bolt	636	Shim	811	Anti-Friction Bearing
326	Lock Washer	638	Snap Ring	821	Key
330	Vent Plug	648	Key	900	Driving Pinion
331	Seal	650	Snap Ring	910	Key
400	Flange	700	Pinion Shaft	911	Snap Ring
410	Bolt	701	Driving Gear		

**NORD Gear Limited**

Toll Free in Canada: 800.668.4378

**NORD Gear Corporation**

Toll Free in the United States: 888.314.6673



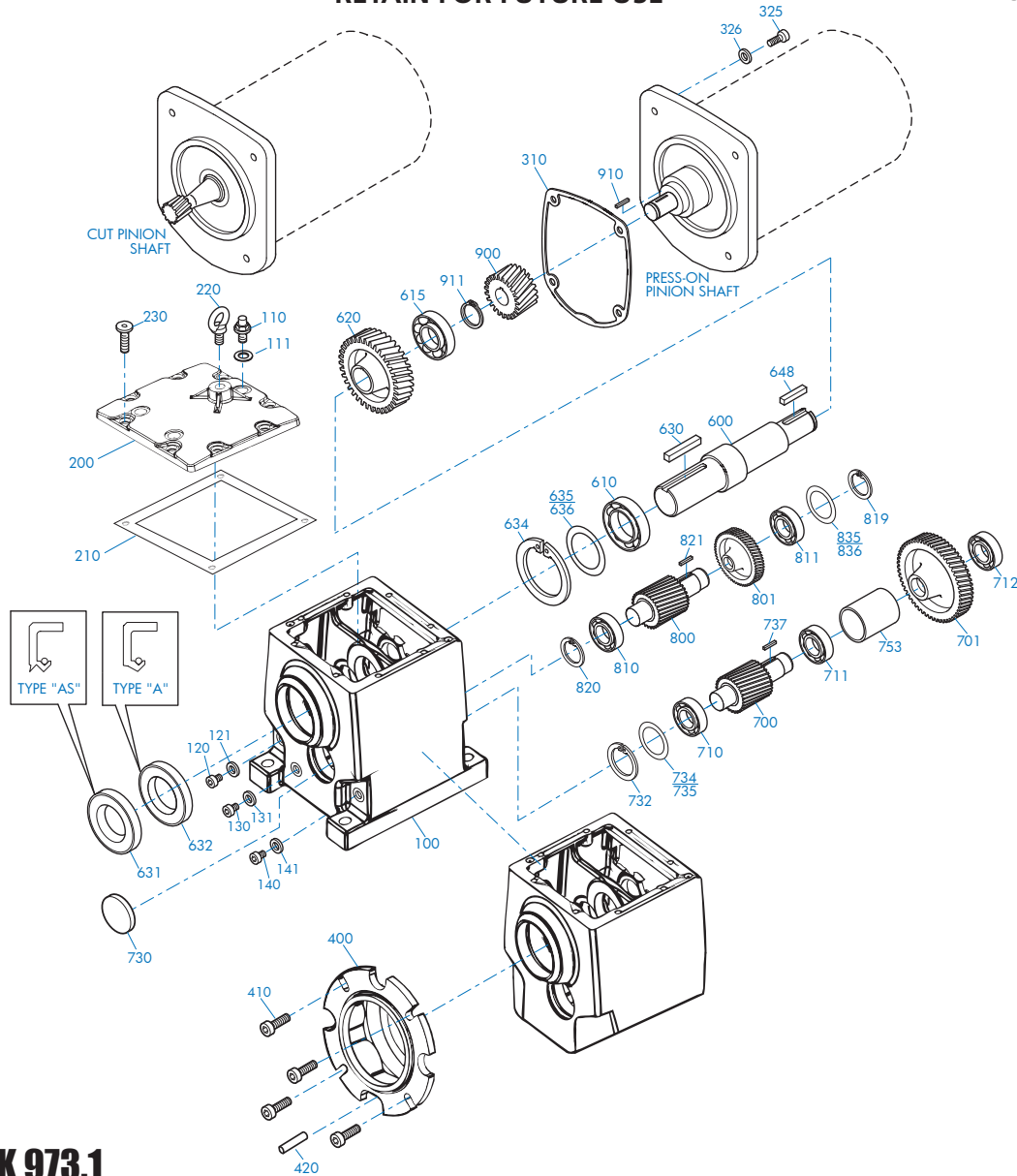
DRIVESYSTEMS

# NORDBLOC.1® PARTS LIST DRAWINGS



U15705 - 4 of 4

RETAIN FOR FUTURE USE



## SK 773.1 - SK 973.1

100 Gearcase	600 Output Shaft	712 Anti-Friction Bearing
105 Gasket	610 Anti-Friction Bearing	737 Key
120 Drain Plug	615 Anti-Friction Bearing	745 Shim
121 Gasket	620 Gear	753 Socket
130 Drain Plug	630 Key	800 Pinion Shaft
131 Gasket	631 Oil Seal	801 Drive Gear
300 Gearcase Cover	634 Snap Ring	810 Anti-Friction Bearing
310 Gasket	635 Shim	811 Anti-Friction Bearing
320 Bolt	636 Shim	819 Snap Ring
325 Bolt	638 Snap Ring	820 Snap Ring
326 Lock Washer	648 Key	821 Key
330 Vent Plug	650 Snap Ring	835 Shim
331 Seal	700 Pinion Shaft	836 Shim
400 Flange	701 Driving Gear	900 Driving Pinion
410 Bolt	710 Anti-Friction Bearing	910 Key
420 Grooved Pin	711 Anti-Friction Bearing	911 Snap Ring

**NORD Gear Limited**

Toll Free in Canada: 800.668.4378

**NORD Gear Corporation**

Toll Free in the United States: 888.314.6673



## Troubleshooting

This section identifies some of the most common issues involved with NORD Gear speed reducers, and provides recommendations to assist you in defining and answering your questions as you work with our products. You may also contact our Engineering/Application departments if your questions are not answered in the table below.

Problem With the Reducer		Possible Causes	Suggested Remedy
Runs Hot	Overloading	Load exceeds the capacity of the reducer	Check rated capacity of reducer, replace with unit of sufficient capacity or reduce the load.
	Improper lubrication	Insufficient lubrication	Check lubricant level and adjust up to recommended levels
		Excessive lubrication	Check lubricant level and adjust down to recommended levels.
		Wrong lubrication	Flush out and refill with correct lubricant as recommended
Runs Noisy	Loose foundation bolts	Weak mounting structure	Inspect mounting of reducer. Tighten loose bolts and/or reinforce mounting and structure.
		Loose hold down bolts	Tighten bolts
	Failure of bearings	May be due to lack of lubricant	Replace bearing. Clean and flush reducer and fill with recommended lubricant.
		Overload	Check rated capacity of reducer.
	Insufficient lubricant	Level of lubricant in reducer not properly maintained.	Check lubricant level and adjust to factory recommended level.
Output shaft does not turn	Internal parts are broken or missing	Overloading of reducer can cause damage	Replace broken parts. Check rated capacity of reducer.
		Key missing or sheared off on input shaft.	Replace key.
		Coupling loose or disconnected	Properly align reducer and coupling. Tighten coupling.
Oil Leakage	Worn seals	Caused by dirt or grit entering seal.	Replace seals. Autovent may be clogged. Replace or clean.
	Unit runs hot or leaks	Overfilled reducer	Check lubricant level and adjust to recommended level.
		Vent clogged.	Clean or replace, being sure to prevent any dirt from falling into the reducer.
	Incorrect fill level	Improper mounting position, such as wall or ceiling mount of horizontal reducer.	Check mounting position on the name tag & verify with mounting chart in manual.





# MOTORS - AC INDUCTION, SINGLE & POLYPHASE



## 1. Overview

This user manual applies to NORD Motor products and it provides general information for motor operation, installation, maintenance, inspection, repair, and trouble shooting, which is relevant to most of the motor products shipped by NORD. Information and instructions provided in this manual, safety and commissioning information and all other manuals applicable to any items supplied by NORD must be observed.

This instruction manual is not intended to include comprehensive details and information related to all possible design variations or accessories options available with NORD motors. If there is any uncertainty about specific procedures, instructions or motor details, then please refer these questions to NORD for additional information or clarification.

Before installing, operating, or performing maintenance on any electrical motor become familiar with the following:

- The detailed operating instructions and wiring diagrams.
- All applicable national, local and system-specific regulations, codes and practices.
- The national / regional regulations governing safety and accident prevention.
- The proper use of any tools, transportation or hoisting equipment, and safety equipment needed to complete the installation.
- To avoid serious injury or possible damage to the equipment or machine, compliance with all safety and information notes is mandatory!

**WARNING**

All work involved in the transport, connection, commissioning and maintenance of any NORD product must be carried out by qualified and responsible technicians. All applicable national, regional, and local work regulations and safety requirements must also be complied with. NORD assumes no liability for personal injury, accidental death, or equipment damage and malfunctions resulting from failure to comply with installation or operating instructions, safety notes, or any work regulations and laws!

**DANGER**

To avoid electrocution, injury or death, make certain the motor is properly grounded, completely de-energized and brought to a no-voltage condition prior to working on any electrical connections.

## 2. Motor Types

NORD AC electric induction motors described in this manual generally include the following types:

- Single speed or two-speed design.
- Three phase alternating current or single phase design.
- Enclosure types: TEFC, TENV, and TEBC.

### 3. Enclosure Types

#### Totally enclosed fan cooled (TEFC).

TEFC motor designs rely on fan that is mounted on the motor's rotor shaft so the cooling capacity can vary based upon the motor's operating speed.

#### Totally enclosed, non-ventilated (TENV)

The TENV motor designs rely purely on convection cooling and they have no fan. Often TENV designs are labeled for intermittent or periodic duty or at a lower power rating than is typical for the given motor frame size.

#### Totally enclosed, blower cooled (TEBC)

The TEBC design uses separate blower or ventilator fan, with its own low wattage motor and a separate power supply, to provide continuous airflow and cooling. The blower can be used to extend the speed range of the motor and allow extreme slow speed operation without causing a concern for overheating. Blower data is provided in Table 6, page 11.

## 4. Voltage and Frequency Variation

Voltage and frequency variations are based upon the assumption that the nameplate horsepower will not be exceeded and that the motor temperature may increase. Standard allowable deviations are based upon the type of motor labeling.

### NEMA and CSA Labeled Motors

Variations are based upon the nominal utilization voltage, and not the service (supply) voltage as per ANSI C84.1.

Service Voltages	Utilization Voltages
120V, 208V, 240V, 480V, 600V	115V, 200V, 230V, 460V, 575V

- Voltage variation at rated frequency =  $\pm 10\%$ .
- Frequency variations at rated voltage =  $\pm 5\%$ .
- Combined voltage/frequency variation =  $\pm 5\%$ .

### CE Labeled Motors

Per IEC 60038, allowable service voltage variations on in the current system, compared to the previous system, are as indicated.

Previous Service Voltages	Current Service Voltages
220V, 380V, 660V	230V, 400V, 690V +6/-10%
240V, 415V	230V, 400V +10/-6%

- Per EN 60034-1 a  $\pm 5\%$  voltage variation and a  $\pm 2\%$  frequency variation can be tolerated.
- The allowed variations are based upon the voltage (or voltage range) indicated on the motor nameplate.





# MOTORS - AC INDUCTION, SINGLE & POLYPHASE



DRIVESYSTEMS

RETAIN FOR FUTURE USE

U30000 - 2 of 18

## 5. Motor Nameplate Information

The motor nameplate and the display of technical information may vary slightly depending upon the global standard/s that the motor conforms to and the efficiency level. Please reference the examples below.

www.nord.com E 191510 LR 112560 CE

Mtr 1  
No. 3

PH 2 SF 10 NEMA DUTY 6 IP 7

INS 5 EFF 17 % PF 14 FR 15

AMB 8 ° ENCL 9 DP CODE 18

12 rpm 10 Hz 18 rpm 10 Hz

11 V 11 V

21 V 21 V

22 A/SF 23 22 A/SF 23

24 25 26

nord.com

www.nord.com E 191510 LR 112560 CE

Mtr 1  
No. 3

PH 2 SF 10 NEMA DUTY 6 IP 7

INS 5 EFF 17 % PF 14 FR 15

AMB 8 ° ENCL 9 DP CODE 18

12 rpm 10 Hz 18 rpm 10 Hz

11 V 11 V

21 V 21 V

22 A/SF 23 22 A/SF 23

24 Brake Nm 25 VAC 26 VDC

nord.com

www.nord.com E 191510 LR 112560 CE

Mtr 1  
No. 3

PH 2 SF 10 NEMA DUTY 6 IP 7

INS 5 EFF 17 % PF 14 FR 15

AMB 8 ° ENCL 9 DP CODE 18

12 rpm 10 Hz 18 rpm 10 Hz

11 V 11 V

21 V 21 V

22 A/SF 23 22 A/SF 23

24 25 26

nord.com

www.nord.com E 191510 LR 112560 CE

Mtr 1  
No. 3

PH 2 SF 10 NEMA DUTY 6 IP 7

INS 5 EFF 17 % PF 14 FR 15

AMB 8 ° ENCL 9 DP CODE 18

12 rpm 10 Hz 18 rpm 10 Hz

11 V 11 V

21 V 21 V

22 A/SF 23 22 A/SF 23

24 Brake Nm 25 VAC 26 VDC

nord.com

www.nord.com E 191510 LR 112560 CE

Mtr 1  
No. 3

PH 2 SF 10 NEMA DUTY 6 IP 7

INS 5 EFF 17 % PF 14 FR 15

AMB 8 ° ENCL 9 DP CODE 18

12 rpm 10 Hz 18 rpm 10 Hz

11 V 11 V

21 V 21 V

22 A/SF 23 22 A/SF 23

24 25 26

nord.com

www.nord.com E 191510 LR 112560 CE

Mtr 1  
No. 3

PH 2 SF 10 NEMA DUTY 6 IP 7

INS 5 EFF 17 % PF 14 FR 15

AMB 8 ° ENCL 9 DP CODE 18

12 rpm 10 Hz 18 rpm 10 Hz

11 V 11 V

21 V 21 V

22 A/SF 23 22 A/SF 23

24 25 26

nord.com

Table 1. Nameplate Data

Field	Definition
1	Model / Type
2	Number of Phases
3	Order Number
4	Serial Number
5	Insulation Class
6	IP (Ingress Protection) Enclosure Rating
7	Duty Cycle
8	Ambient Temperature Rating (°C)
9	Enclosure Type
10	Motor Frequency (Hz)
11	Voltage Rating (V)
12	Current Rating (A)
13	Rated Power (HP or kW)

Field	Definition
14	Power Factor
15	Motor Frame Size
16	Full Load Speed (rpm or 1/min <sup>2</sup> )
17	Efficiency
18	NEMA Code Letter
19	Service Factor
20	Current Rating (If Service Factor ≥ 1.15)
21	Operating Voltage Range (A)
22	Current Rating at Operating Voltage Range (A)
23	Service Factor at Operating Voltage Range (A)
24	Brake Rating (Nm)
25	Brake Supply Voltage (VAC)
26	Brake Coil Voltage (VDC)

**NORD Gear Limited**  
Toll Free in Canada: 800.668.4378

**NORD Gear Corporation**  
Toll Free in the United States: 888.314.6673



# MOTORS - AC INDUCTION, SINGLE & POLYPHASE



DRIVESYSTEMS

RETAIN FOR FUTURE USE

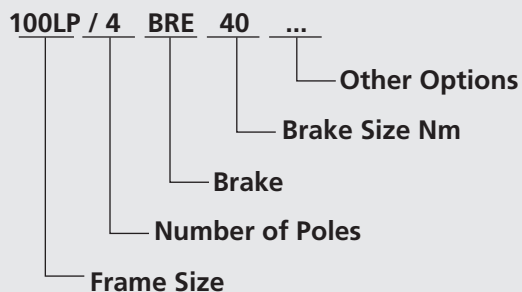
U30000 - 3 of 18

## 6. Motor Options And Nomenclature

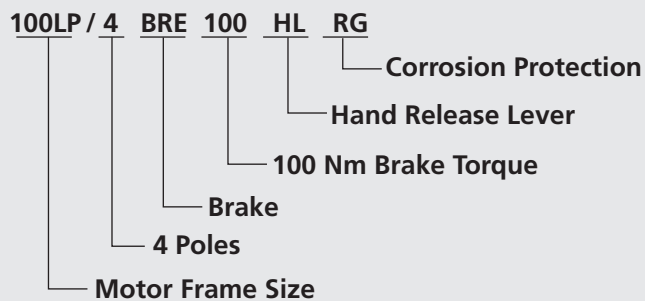
NORD offers many options for its motors. The option code will be shown in the motor nomenclature. Below are commonly used options.

Code	Description	Code	Description
AICM	Additional Internal Insulation Coating Applied	OL	TENV Motor – Without Fan / With Cover
BRE	With Brake	OL/H	TENV Motor - Without Fan & Cover
EAR	Single Phase, Start Cap/Run Cap	P	Premium Efficient Motors
ECR	Single Phase, Start Cap/Run Cap Increased SF	RD	Canopy Cover
EHB	Single Phase, Run Capacitor Only	RDD	Double Canopy Cover
EP	Epoxy Dipped Windings	RG	Brake – Corrosion Protected
F	Blower Cooling Fan - 3ph & 1ph	RLS	Backstop
FC	Blower Cooling Fan - 1ph	SH	Motor Space Heater
FHL	Brake – Lockable Manual Release	SR	Brake – Dust Protected
H	Energy Efficient	TF	Thermistor
HL	Brake – Manual Hand Release	TW	Thermostat
IG	Incremental Encoder	VN	10:1 Constant Torque Rated Motor
IP66	IP66 Environmental Protection	VR	5:1 Constant Torque Rated Motor
IR	Brake – Current Sensing Relay	VW	20:1 Constant Torque Rated Motor
KB	Condensation Holes - Removable Plugs	VZ-F	1000+:1 Constant Torque Rated Motor
KD	Condensation Holes - Open	WE	2nd Motor Shaft End
MIK	Brake – Microswitch	WU	High Slip Rotor
MS	Power Plug Connector	Z	High Inertia Motor Fan

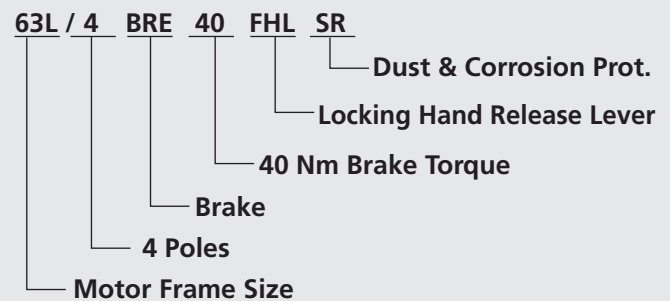
### Motor Nomenclature



### Ordering Examples



100 Frame Motor with 4 poles, Brake, 100 Nm with a hand release lever, corrosion protected brake, and a current sensing relay.



63 Frame motor with 4 poles, a 40 Nm Brake with a locking hand release lever and dust & corrosion protection.

**NORD Gear Limited**

Toll Free in Canada: 800.668.4378

**NORD Gear Corporation**

Toll Free in the United States: 888.314.6673



# MOTORS - AC INDUCTION, SINGLE & POLYPHASE



## 7. Application Conditions

Standard NORD motors are designed to operate in dusty or moist environments and have anti-fungal, thermal class F insulation.

- Enclosure Protection Rating = IP55 (minimum).
- Maximum Installation Height = 3300 ft (1000 m).
- Ambient Temperature = -4 to 104°F (-20 to 40 °C).
- Tropical-proof, Thermal Class F insulation.

The protection level and maximum ambient temperature are stated on the motor nameplate.

**i** **IMPORTANT NOTE**

NORD can provide motors for an expanded range of applications and service conditions including higher protection levels, extreme ambient conditions and, higher altitudes.

**i** **IMPORTANT NOTE**

Consult NORD for recommendations if motors are operated under extreme loading conditions, exposed to high inertia loads, or need to operate under unusually high cycling conditions with high starting and stopping frequency.

**!** **DANGER**

Special design and assembly considerations are needed if NORD motors are subject to any of the following conditions. Environmental conditions may lead to premature damage and/or failure without the proper protective features. Consult NORD for design considerations:

- Outdoor installation with motor in a vertical position.
- Direct contact with aggressive or corrosive materials (acids, bases, salts, certain gases, etc.).
- Exposure to extreme high or low temperatures, high relative humidity, condensation moisture or very wet environments.
- Subject to extreme material build-up on the unit (dirt, dust, sand, etc.).
- Hazardous Locations (risk of fire or explosion).

## 8. Transportation

During transportation observe the following:

- Make sure that all eyebolts and lifting lugs are tight and firmly against their supporting surface.
- Use all the lifting eyes that are intentionally supplied with the motor.
- Lift only at designed points.
- Protect the mounting surface from possible damage during transportation.
- Always use sufficiently rated handling equipment, lift mechanisms and lifting straps.
- With heavier objects or unbalanced loads, it may be appropriate to use more than one lifting point or an additional strap or sling to assure safe transportation of the assembly. This is especially true of assembled gearmotors and motorized reducers.
- Once the NORD motor or assembly is properly installed, remove the transportation fixtures completely or make certain they are properly re-secured and tightened.

**!** **WARNING**

**Transportation – Use of Lifting Devices**

To avoid death, serious injury or equipment damage...

- Hoisting lugs or lifting eyes attached to the motor are designed for the weight of the motor only! Do not attach any additional loads!
- The motor must only be transported and lifted using the lifting eyes, in a position that is appropriate for its type of construction. Otherwise, it could fall over or slip in the lifting tackle.
- During suspended transport, two straps must be able to carry the entire load weight safely.
- When required use additional, suitable means of support for transportation, installation or removal.
- Always secure the support equipment to prevent it from slipping.



# MOTORS - AC INDUCTION, SINGLE & POLYPHASE



## 9. Storage

If the motor is not in service, store it according to the following conditions:

- Store the motor in a clean, dry, dirt-free, vibration free area.
- Storage temperatures of 10°C (50°F) to 50°C (120°F) must be maintained.
- Relative humidity must not exceed 60%.
- If vibration in the area exceeds 0.002 inch (0.05 mm) at 60 hertz, then vibration isolation pads are suggested to prevent brinelling of the bearings.
- Treat the unprotected shaft end and mating flange surfaces with a corrosion inhibitor that can be cleaned off prior to commissioning.
- Before placing the motor into service, visually inspect the motor exterior for evidence of deterioration during storage. Turn the motor shaft by hand to make sure the shaft turns freely.
- Motor space heaters, when provided, are to be connected and energized whenever there is a possibility that the storage ambient conditions will reach the dew point. Space heaters are optional. Remove motor from the storage container when the heater is energized.
- If the motor needs to be stored for extended periods, or if it is stored in less than favorable conditions, it is recommended that the winding insulation resistance be checked prior to commissioning (page 7).
- Even if stored in favorable conditions, the antifriction motor bearings and motor shaft seals may need to be replaced if the storage period is more than 4 years.

## 10. Safety Considerations

When installing, servicing or replacing electric motors it is important to be working in a "voltage-free" state. Observe the following safety rules.

### Safety Rules

1. Disconnect the system. Disconnect the auxiliary circuits (brakes, space heaters, etc.).
2. Prevent reconnection (follow safe lock-out/tag-out practices).
3. Make sure that the equipment is at zero voltage.
4. Make certain the equipment is properly grounded and short-circuited.
5. Cover or isolate nearby components that are still electrically live.

To energize the system, apply the measures in reverse order.

### Qualified Personnel

All work involved in the transport, connection, commissioning and maintenance of any NORD product must be carried out by qualified and responsible technicians.

For the purpose of this documentation, a qualified personnel is taken to mean a person or people who fulfill the following requirements:

- Through appropriate training and experience, they are able to recognize and avoid risks and potential dangers in their particular field of activity.
- They have been instructed to carry out work on the machine by the appropriate person responsible.
- They are responsible for knowing and complying with all applicable national, regional, and local work regulations and safety requirements.




# MOTORS - AC INDUCTION, SINGLE & POLYPHASE




## 10. Safety Considerations Ctd.

### General Warnings and Cautions


 **DANGER**

To avoid electrocution, injury or death, make certain all electrical devices (motors, brakes, variable frequency drives, etc.) are properly grounded, completely de-energized, and brought to a no-voltage condition prior to working on any electrical connections. Remember that most of these devices carry potentially dangerous energy levels for a period of time after power is removed. Always follow proper lock-out/tag-out procedures.

 **DANGER**


Electrical machines contain dangerous voltage levels, electrically live parts, rotating surfaces and hot surfaces. To prevent injury, death or possible equipment damage always observe the following:

- Keep all safety covers and guards in place during operation. Remove and replace covers in compliance with the applicable safety regulations.
- Allow the machine to cool down before starting any work on it.
- Operate the machines properly.
- Perform regular maintenance on the machine.
- Secure and guard free-standing shaft extensions.

 **DANGER**


**Electrically Live Parts**

Electrical machines contain electrically live parts. Fatal or severe injuries and substantial material damage can occur if the required covers are removed or if the machines are not handled, operated, or maintained properly.

 **WARNING**


**Rotating Parts**

Electrical machines contain dangerous rotating parts. Fatal or severe injuries and substantial material damage can occur if the required covers are removed or if the machines are not handled, operated, or maintained properly.

 **WARNING**


**Hot Surfaces**

Electrical machines have hot surfaces. Fatal or severe injuries and substantial material damage can occur if the required covers are removed or if the machines are not handled, operated, or maintained properly. Allow the machine to cool down before starting any work on it.

 **WARNING**

**Maintain Proper Cooling**


Operating the motor without the intended cooling fan may cause overheating and result in very hot surfaces, personal injury and material damage. Never commission a motor intended to be fan cooled when it is missing the shaft-driven fan or external blower assembly.

 **DANGER**

**Condensation Drain Holes (Optional)**

Inserting objects into the condensation drain holes can damage the winding and can result in death, serious injury and damage to property!

- Before opening sealed drain holes, make sure the motor is in a no-voltage condition. Close the condensation drain holes before re-commissioning.
- Exercise caution around drain holes that are intended to be left open, especially when the motor is energized.

 **IMPORTANT NOTE**

Before start-up check the following:

- All electrical connections are secure, well grounded and properly made.
- The motor is rotating in the correct direction (when de-coupled from the driven load).
- There are no temperature-sensitive parts (cables etc.), in contact with motor enclosure.
- Condensation drain holes are always located at the lowest point of the motor.



# MOTORS - AC INDUCTION, SINGLE & POLYPHASE



## 11. Checking the Insulation

Before putting the motor into operation for the first time, after a lengthy period of storage or standstill (approx. 6 months), the insulation resistance of the winding should be checked.

	<b>WARNING</b>
During or directly after measurement the motor connection terminals carry hazardous voltages. Fatal or severe injuries and substantial material damage can occur if the required covers are removed or if the machines are not handled, operated, or maintained properly.	

### A. Control

The insulation resistance of new, cleaned, or repaired motor windings against the grounded housing and against one another should be > 200 Mega-Ohms.

### B. Measurement

Using a Mega-Ohm meter apply a DC voltage of 500 VDC to the motor winding for a period of 60 seconds and record the winding insulation resistance compared to ground.

- The 500 VDC test voltage is applicable to low voltage motors up to 1000 VAC.
- When performing this test the temperature of the windings should be 25°C ± 15°C (77°F ± 27°F).

### C. Verification

- If the insulation resistance of the winding is less than 50 Mega-Ohms, the cause may be moisture. The windings should be dried and the test should be repeated.
- After any lengthy period of operation the insulation resistance may drop. So long as the measured value does not fall below the critical value of 50 Mega-Ohm, the motor may continue to be operated.
- If the measured value falls below the critical 50 Mega-Ohm level, the cause must be established and the windings or winding sections must be cleaned, dried, repaired, or replaced as needed.

## 12. Bearing Lubrication

NORD motor frame sizes 63 up to and including 225 are normally supplied with internally grease lubricated bearings and require no lubrication during normal operation.

NORD motor frame sizes 250 and larger are supplied with grease fittings for re-greasing the motor bearings.

	<b>IMPORTANT NOTE</b>
Motors with grease fittings are normally supplied with a label indicating the grease type used, the suggested re-lubrication interval, and the amount of new grease to be applied. General bearing maintenance guidelines are listed in Table 3.	

Typical motor bearing grease is an NLGI No. 2 consistency, high grade product with a polyurea base thickener, synthetic or blended mineral/synthetic oil, and stabilizing agents to protect against heat and oxidation.

Table 3 – Motor Bearing Maintenance Guidelines

Frame Size	Power	Poles	Re-greasing Interval
63-225	0.16-60 HP (0.12-45 kW)	All	Maintenance Free
250 to 280	75-125 HP (55-75 kW)	2	4000 h
		4 to 8	8000 h
315	150-250 HP (132-200 kW)	2	3000 h
		4 to 8	6000 h

	<b>NOTICE</b>
When re-greasing motor bearings do not to mix different greases without verifying the compatibility with a reputable grease lubrication supplier. Mixing incompatible products can lead to bearing failure.	

## 13. Mechanical Installation

Integral motors, NEMA C-face motors, and IEC flange mounted motors must be rigidly secured to their mating connection surface using all fastening screws tightened to the proper bolt torque. It is good practice to apply a medium strength thread-locking agent (Loctite® 242) to the mounting screws.

Foot mounted motors must be securely installed to a rigid and level foundation or mounting surface to minimize vibration and maintain alignment between the motor and shaft load. All mounting hole locations must be utilized. Tighten all hold down screws or bolts to the proper bolt torque.

<b>NOTICE</b>
Failure to provide a proper mounting surface may cause vibration, misalignment and bearing damage.

Accurate alignment and proper balancing of output devices (couplings, belts, pulleys, etc.) is required to assure quiet, low vibration, trouble free operation. When the motor is directly coupled to a gear drive or a driven machine make sure that the motor shaft and driven machine shaft are aligned with one another axially.

<b>NOTICE</b>
Inaccurate alignment may lead to bearing damage, excessive vibrations and shaft breakage.

	<b>IMPORTANT NOTE</b>
For motor replacement guidelines see section 20 on page 15 and section 21 on page 16.	





## 14. Electrical Connections

	<b>DANGER</b>
To avoid electrocution, injury or death, make certain all electrical devices (motors, brakes, variable frequency drives, etc.) are properly grounded, completely de-energized, and brought to a no-voltage condition prior to working on any electrical connections. Remember that most of these devices potentially dangerous energy levels for a period of time after power is removed. Always follow proper lock-out/tag-out procedures.	

	<b>IMPORTANT NOTE</b>
External motor brakes have their own connection requirements as indicated in the appropriate brake instruction manuals.	

	<b>WARNING</b>
If the motor has an integral brake, make certain there is no load connected to the driven equipment before releasing the brake. Otherwise serious injury, death, or damage to the equipment may result.	

- The supply voltage and frequency must agree with the motor nameplate data.
- Always feed the connecting leads into the terminal box using appropriate mating cable glands. The mating connection cables and cable glands should be suitable for temperatures  $\geq 194^{\circ}\text{F}$  ( $90^{\circ}\text{C}$ ).
- Provide the ends of the connecting leads and ground lead with cable lugs or curved ring eyelets before connecting them to the terminal board.
- Make certain that the wiring connections and arrangement of the terminal board jumpers conform to the appropriate wiring diagram as provided in the motor terminal box and/or page 9 of this manual.

- Tighten the terminal board screw connections on the on the main terminal board per the table below.

**Table 4 – Tightening Torque:  
Terminal Board and Grounding Screws**

Thread Size	Nut Size [mm]	Tightening Torque	
		[lb-ft]	[Nm]
M4	7	0.6-0.9	0.8-1.2
M5	8	1.3-1.8	1.8-2.5
M6	10	2.0-3.0	2.7-4
M8	13	4.0-5.9	5.5-8
M10	17	6.6-9.6	9-13
M12	19	11.8-14.8	16-20

- Upon final assembly, the terminal box cover must be sealed so that it is dust-tight and water-tight.

**Table 5 – Tightening Torque:  
Terminal Box Cover Screws**

Thread Size	Tightening Torque	
	[lb-ft]	[Nm]
M4	0.6-0.9	0.8-1.2
M5	0.9-1.3	1.2-1.8
M6	1.1-1.8	1.5-2.5
M8	2.2-3.7	3.0-5.0

## 15. Direction of Rotation

The motor shaft rotation is defined per IEC 600034, Part 8. The motor shaft rotation can be controlled by the way the incoming line power is connected. When connecting the incoming line power in phase order to the terminal block posts, T1 (U1), T2 (V1), and T3 (W1) respectively, the motor shaft rotation will be clockwise when viewing the motor shaft at the drive-end.



# MOTORS - AC INDUCTION, SINGLE & POLYPHASE



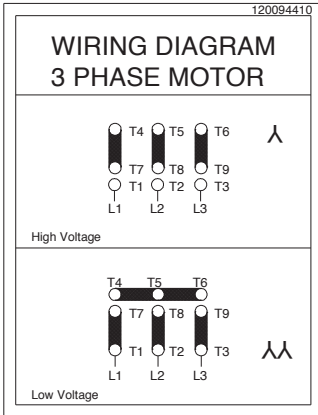
DRIVESYSTEMS

RETAIN FOR FUTURE USE

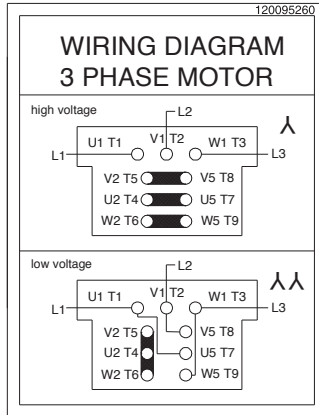
U30000 - 9 of 18

## 15. Wiring Diagrams - Motor & Motor Option Connection Diagrams

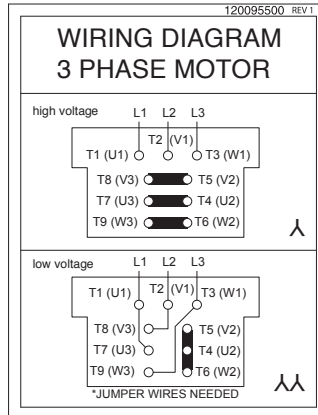
NORD Frames 63-225  
230 / 460V, 60Hz, 3Ø | 200 / 400V, 50Hz, 3Ø



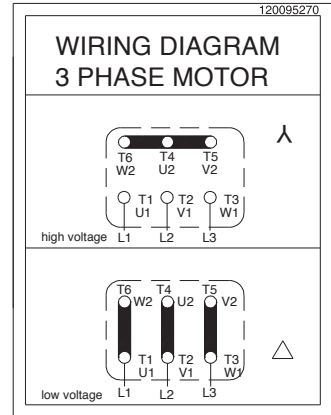
NORD Mfg by Siemens - Frames 200+  
230 / 460V, 60Hz, 3Ø | 200 / 400V, 50Hz, 3Ø  
190 / 380V, 60Hz, 3Ø



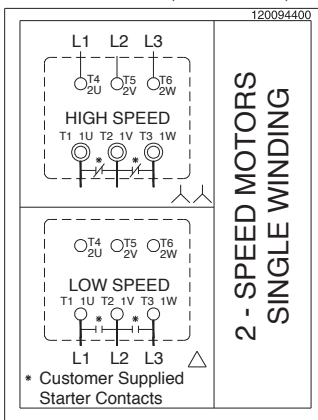
NORD Mfg by Siemens - Frames 200+  
230 / 460V, 60Hz, 3Ø | 200 / 400V, 50Hz, 3Ø  
190 / 380V, 60Hz, 3Ø



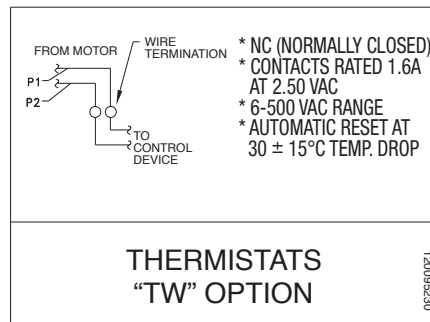
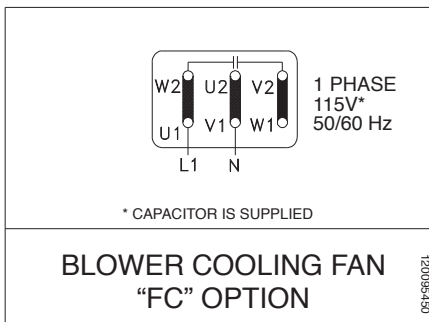
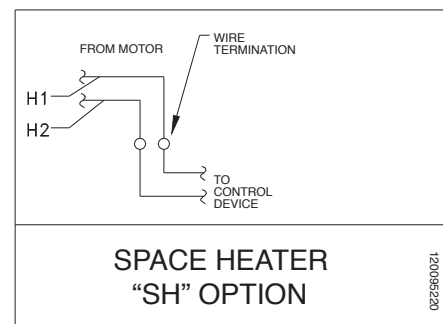
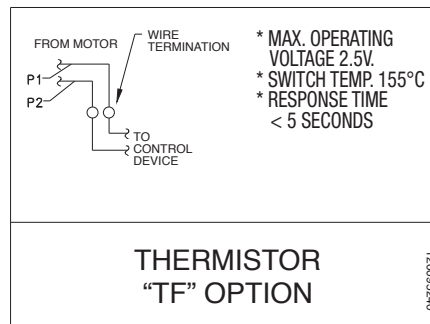
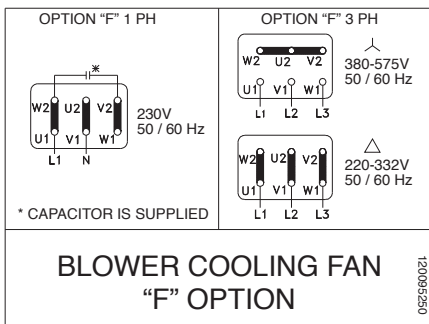
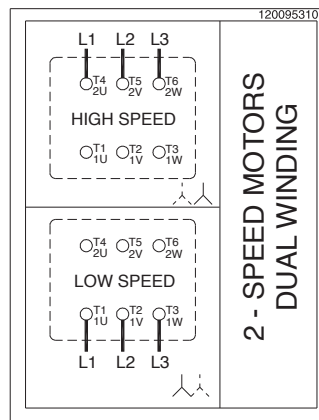
NORD Frames 63-225  
460 / 800V, 60Hz, 3Ø | 230 / 400V, 50Hz, 3Ø  
208 / 360V, 60Hz, 3Ø | 400 / 690V, 50Hz, 3Ø  
332 / 575V, 60Hz, 3Ø



NORD 2 - SPEED MOTORS  
SINGLE WINDING (4-2 & 8-4 POLE)



NORD 2 - SPEED MOTORS  
DUAL WINDING (8-2 POLE)



**NORD Gear Limited**  
Toll Free in Canada: 800.668.4378

**NORD Gear Corporation**  
Toll Free in the United States: 888.314.6673

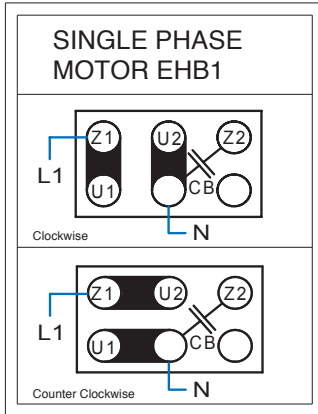


# MOTORS - AC INDUCTION, SINGLE & POLYPHASE

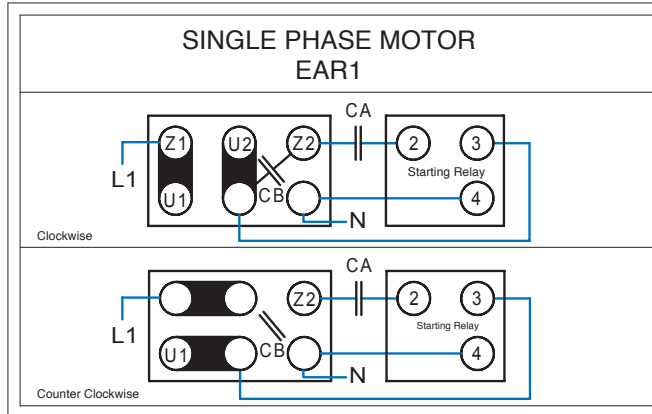


## 15. Wiring Diagrams Ctd. - Single Phase Motor Connection Diagrams

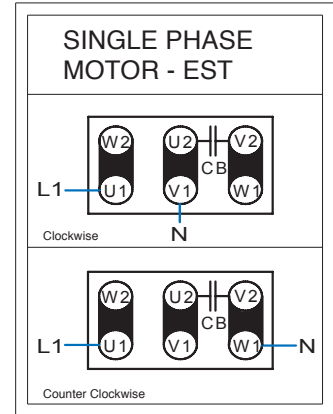
Motor Frame Sizes 63-90  
230V, 50Hz, 1Ø



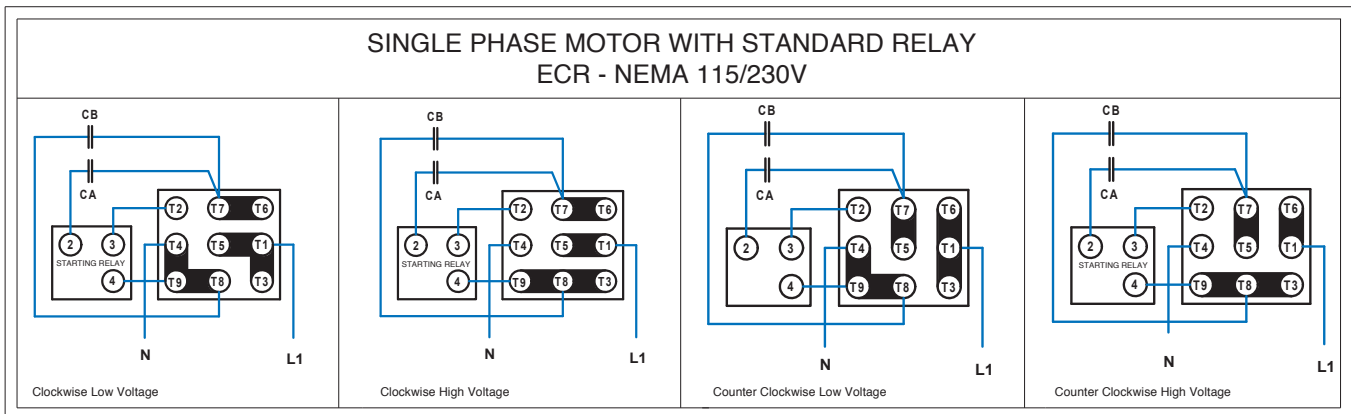
Motor Frame Sizes 63-90  
230V, 50Hz, 1Ø



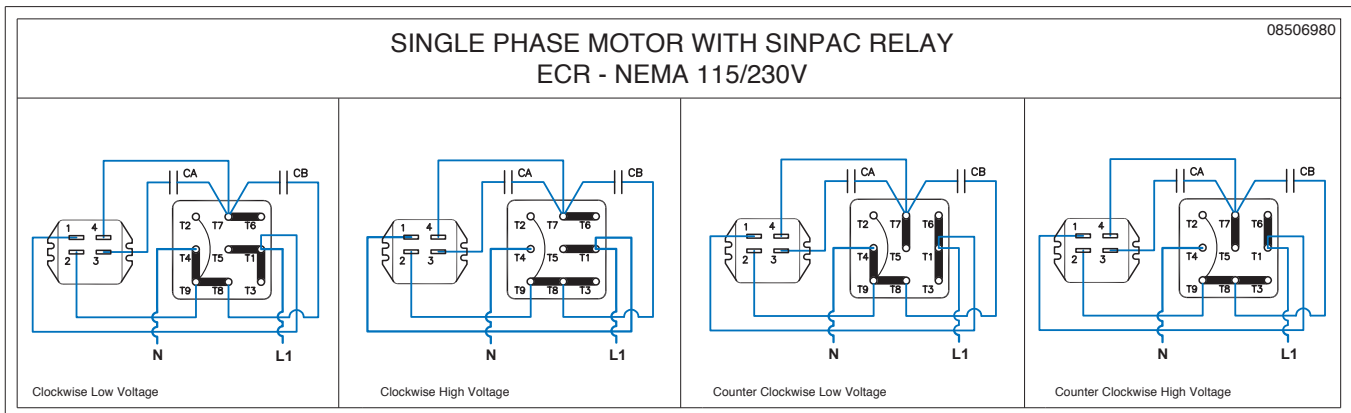
Motor Frame Sizes 63-90  
230V, 50Hz, 1Ø



Motor Frame Sizes 63-90  
115 / 230, 60Hz, 1Ø



Motor Frame Sizes 63-90  
115 / 230, 60Hz, 1Ø





# MOTORS - AC INDUCTION, SINGLE & POLYPHASE



DRIVESYSTEMS

RETAIN FOR FUTURE USE

U30000 - 11 of 18

## 16. Motor Accessories

### Blower Cooling Fan (Option F & FC)

- Connection Diagram Shown on page 10
- Option FC is 1-phase, 115V
- Option F has capability of 1 phase by connecting a supplied capacitor

Table 6 – Option F & FC

### Option F – 3ph & 1ph 220-575V 50/60Hz

Motor Frame	60Hz Ratings			50Hz Ratings		
	Voltage [V]	Current [A]	Power [W]	Voltage [V]	Current [A]	Power [W]
<b>Single phase connection - <math>\Delta</math> (Delta)</b>						
63	230 – 277	0.11	38	230 – 277	0.10	27
71	230 – 277	0.12	41	230 – 277	0.10	28
80	230 – 277	0.13	44	230 – 277	0.11	29
90	230 – 277	0.25	88	230 – 277	0.26	72
100	230 – 277	0.28	88	230 – 277	0.26	70
112	230 – 277	0.31	107	230 – 277	0.26	73
132	230 – 277	0.27	89	230 – 277	0.29	82
160 - 225	230 – 277	0.41	140	230 – 277	0.45	128
<b>Three phase low-voltage connection - <math>\Delta</math> (Delta)</b>						
63	220 – 332	0.08	23	220 – 290	0.10	27
71	220 – 332	0.08	24	220 – 290	0.10	30
80	220 – 332	0.08	25	220 – 290	0.01	29
90	220 – 332	0.21	64	220 – 290	0.28	86
100	220 – 332	0.21	66	220 – 290	0.27	86
112	220 – 332	0.23	70	220 – 290	0.27	85
132	220 – 332	0.25	74	220 – 290	0.32	96
160 - 225	220 – 332	0.49	165	220 – 290	0.52	155
<b>Three phase high-voltage connection - (Y)</b>						
63	380 – 575	0.04	23	380 – 500	0.05	29
71	380 – 575	0.04	25	380 – 500	0.05	30
80	380 – 575	0.04	26	380 – 500	0.05	29
90	380 – 575	0.12	62	380 – 500	0.16	82
100	380 – 575	0.12	66	380 – 500	0.16	83
112	380 – 575	0.13	70	380 – 500	0.16	82
132	380 – 575	0.14	75	380 – 500	0.18	96
160 - 225	380 – 575	0.28	165	380 – 500	0.29	155

### Option FC – 115V 50/60Hz 1ph

Motor Frame	60Hz Ratings			50Hz Ratings		
	Voltage [V]	Current [A]	Power [W]	Voltage [V]	Current [A]	Power [W]
<b>Single Phase Connection - <math>\Delta</math> (Delta)</b>						
63	100 – 135	0.23	42	100 – 135	0.30	42
71	100 – 135	0.23	47	100 – 135	0.30	44
80	100 – 135	0.27	57	100 – 135	0.30	43
90	100 – 135	0.46	102	100 – 135	0.57	78
100	100 – 135	0.53	105	100 – 135	0.54	78
112	100 – 135	0.60	115	100 – 135	0.55	80



## 16. Motor Acc. Ctd. - Motors with Thermal Protection

Effective July 15th, 2016 many newly manufactured NORD motors that require a thermal protection device will use WAGO® Series 221 Series Compact Splicing Connectors. These connectors will be used for splicing the leads of the thermal protection option supplied by NORD to the customer supplied control device.

- The WAGO® connector will facilitate assembly of NORD 63-132 frame, 60Hz, CUS approved motors
- An oversized brake terminal box and secondary 2-post wire termination strip will no longer be required.
- NORD will supply (2) Wago® Series 221, 2 conductor splicing connectors for each motor requiring thermal protection (NORD P/N 18251607)

Table 7 – Motors Receiving the WAGO® Connector

Motor Supplier	NORD
Frame Size	63 to 132
Type	CUS
Thermal Protection Option	TW, TF, PT100, KTY
Motor Connection	Wye-Wye/Wye (YY/Y)
Voltage – Hz	230/460V – 60 Hz
Brake Motors Affected	No
EKK Small Terminal Box	Not possible (space limited)

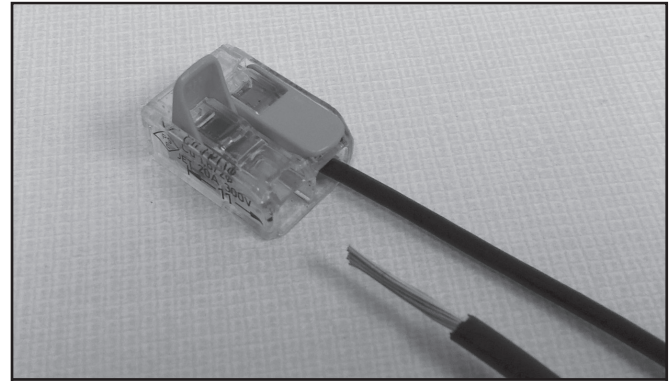
Table 8 – WAGO® Series 221 Connector Ratings

Wire Size	12-24 AWG (solid stranded or fine stranded) 0.14 - 4mm <sup>2</sup> (fine stranded) 0.2 - 2mm <sup>2</sup> (solid stranded)
Rated Voltage	600V
Rated Current	20A
Operating Temp.	105°C (221°F)
Global Approvals	cULus, ENC 05, EAC, PSE

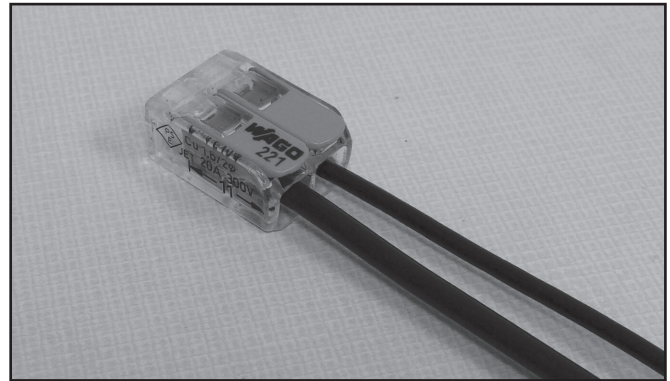
UL Certificate E69654

## Operation of WAGO® Series 221 Connector

1. Strip the wire/s to be connected to 11 mm (0.43 in).
2. Open up the lever of the lever-nut, place the wire in the receptical and close the clamp.
3. Repeat for the additional wires being joined.



WAGO® receptical in the open position



WAGO® receptical in the closed position

The WAGO Connector remains optional for the following NORD motors:

**Brake Motors** - An oversized conduit box is utilized with a secondary 2-post wire termination block for the thermal protection option

**Delta/Wye (Δ/Y) Connected Motors** - These utilize an 8 post terminal box (6 primary posts for the supply power and 2 auxillary posts for thermal protection)

**Motors 160 Frame and Larger** - The terminal box is large enough to allow the use of a secondary 2-post wire termination block for your thermal protection device.



## Thermostats (TW & 2TW)

Table 9. TW &amp; 2TW options, Thermostats

Standard connection	Series connected, one per phase
Contact	NC (Normally Closed)/ Auto Re-setting
Response Temperature (Option TW)	311 °F (155 °C) Shut-Off Device
Response Temperature (Option 2TW)	311 °F (155 °C) Shut-Off Device + 266°F (130 °C) Alarm Device
Nominal Current	1.6 Amp at 250 V
Resistance	< 50 mΩ
Switch Rebound	< 1ms
Insulation Rating	2000 VAC
Cycles	10,000 max
Lead Identification (inside terminal box)	P1 and P2 or TB1 and TB2 / 2TB1 and 2TB2

Motor thermostats or bi-metallic switches can be wired directly into the control circuit without a separate control module or tripping device. Thermostats operate on a relatively high control voltage so they are less sensitive to voltage interference from the main power supply. Often one can run thermostat leads and motor power leads next to each other when using the appropriate shielded cable. The installer is responsible to wire the thermostats into the motor control circuit. The leads may be labeled as indicated below.

## Thermistors (TF)

Table 10. TF option, Thermistors

Standard Connection	Three devices, series connected, one per phase
Type	Positive temperature coefficient (PTC)
Transition Temperature	150°C±5 °C
Resistance	20... 500Ω (below transition) > 4 kΩ (above transition)
Reed Current	< 1mA
Max Voltage	30V
Lead Identification (inside terminal box)	P1 and P2 or TP1 and TP2

With a separate control module or tripping device (ex. Kirwan INT69) thermistors are used to sense motor overload/over temperature conditions by converting the critical operating temperature limit into large internal resistance change. Due to their small size, heat sink construction, and high change in resistance value, minor resistance variations caused by relatively long lead runs can be tolerated. This feature also allows for one controller to be used for several temperature sensing locations. Many variable frequency drives come with on-board thermistor inputs. NORD does not supply the thermistor control module.



### IMPORTANT NOTE

- Thermostats and Thermistors will automatically reset.
- All wiring must be completed by qualified personal and adhere to all local codes.

## NORD Gear Limited

Toll Free in Canada: 800.668.4378

## 16. Motor Acc. Ctd. - Space Heaters (Option SH)

- Connection Diagram shown on Page 9
- Space Heaters are mounted directly on the motor winding
- The leads are brought into the terminal box and labeled H1 and H2
- They require a separate voltage supply and must not be energized when the motor is energized
- The heaters will keep the winding of the motor approximately 5°C above the surrounding ambient

Table 11. Space Heater Data

Frame Size	Wattage	Voltages	Heater Strips/MTR
63 & 71	18W	110V	1
		230V	
		460V	
80	25W	110V	1
		230V	
		460V	
90 - 112	50W	110V	2
		230V	
		460V	
132-180	100W	110V	2
		230V	
		460V	
200 & 225	120W	110V	2
		230V	
		460V	

## Encoder (Option IG)

- Most standard encoders will be enclosed inside the fan cover
- Incremental, Quadrature, Differential, Marker Channel
- IP66 Protection
- IG1 = 1024PPR, IG2 = 2048PPR, IG4 = 4096PPR
- TTL/RS422, HTL/Push-Pull, Line Driver.
- 5V or 10-30V available.
- Absolute encoders also available.
- Separate encoder wiring instructions are provided by NORD.

## NORD Gear Corporation

Toll Free in the United States: 888.314.6673





# MOTORS - AC INDUCTION, SINGLE & POLYPHASE



## 17. Inspection

Inspect the motor after every 500 operating hours. Please use table 12 below for inspection guidelines.

	<b>CAUTION</b>
If it is necessary to clean the motor exterior, do not use shop air. Shop air can force contaminants into the motor and may cause parts damage or result in blowing debris causing injury.	

Table12. - Motor Inspection Guidelines

Inspect	Check	Action
<b>Motor Exterior</b>	Check the external surfaces for contamination. Accumulation of dirt and fibrous deposits must be removed.	Clean the motor external surfaces using clean, lint-free cloths.  Clean deposits from between cooling fins using a vacuum cleaner and a stiff-bristled nylon brush.
	Check the external surfaces for oil film and greasy deposits.	Clean the oil film and greasy deposits from the motor surface using clean, lint-free cloths.  If necessary, moisten the cloth with an approved non-flammable, residue-free solvent. Do not pour solvent on the motor.
	Check for evidence of damage or overheating.	If the motor has physical damage, replace the motor.
<b>Motor Mountings</b>	Make sure the mounting hardware is secure.	If the mounting hardware is not secure, check the motor/gearbox alignment, and tighten the mounting hardware.
<b>Motor Electrical Connections</b>	Check that all electrical connections are secure.	If the electrical connections are not secure, tighten them.
	Check the electrical connections for evidence of arcing.	Loose electrical connections can cause arcing, which is evident by discoloration and charring. If you find evidence of arcing, replace the damaged connections.
<b>Insulation Resistance</b>	Using an ohmmeter, check and record the resistance of motor winding insulation.	Compare the current resistance reading to previous readings. If the resistance drops significantly, perform an internal inspection for insulation damage or deterioration.
<b>Motor Brake</b>	On motors that have a brake, use a feeler gauge to check the air gap in between the brake pad and the rotor according to the appropriate user manual.	If the air gap exceeds the maximum allowed for that brake configuration provided in the manual, adjust the air gap or replace the brake pad according to user manual U35000.



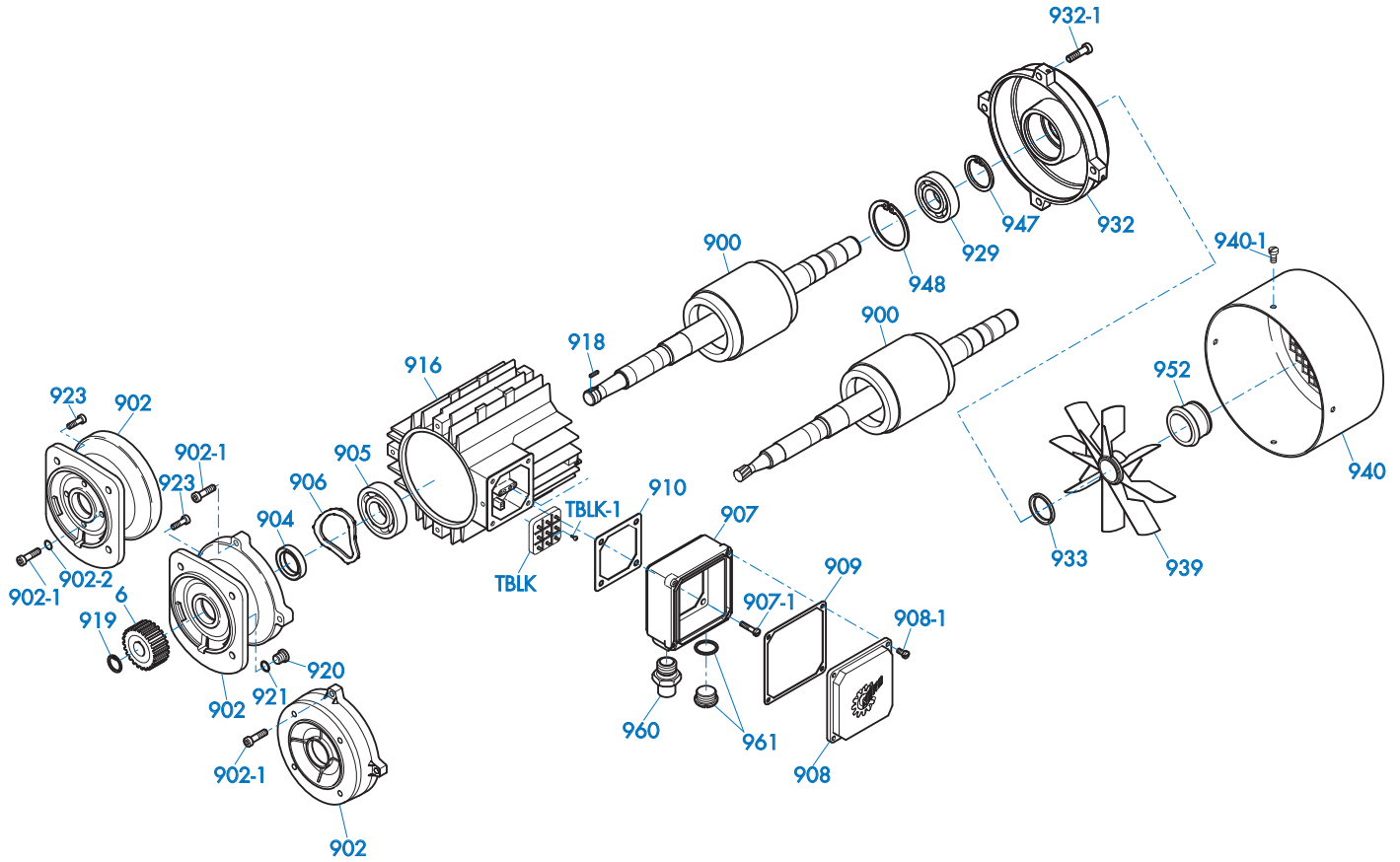
DRIVESYSTEMS

# MOTORS - AC INDUCTION, SINGLE & POLYPHASE



RETAIN FOR FUTURE USE

U30000 - 15 of 18



Part Number	Part Description	Qty per Assembly
6	Input Pinion	1
900	Rotor Assembly	1
902	A-Endbell	1
902-1	Screw	4
902-2	Dubo Seal	4
904	Oil Seal	1
905	Bearing	1
906	Preload Spring	1
907	Terminal Box Frame	1
907-1	Screw	4
908	Terminal Box Cover	1
908-1	Screw	4
909	Gasket - Terminal Box Frame	1
910	Gasket - Terminal Box Cover	1
916	Stator	1
918	Key	1
919	Retaining Ring	1
920	Oil Plug	1

Part Number	Part Description	Qty per Assembly
921	Gasket	1
923	Screw	4
929	Bearing	1
932	B-Endbell	1
932-1	Screw	4
933	Oil Seal	1
939	Fan	1
940	Fan Cover	1
940-1	Screw	4
947	Retaining Ring	1
948	Retaining Ring	1
952	Fan Clip	1
960	NPT Thread Adapter	1
961	Plug (includes O-ring)	1
TBLK	Terminal Block	1
TBLK-1	Screw, Terminal Block Mounting	2
	Jumper Bar (not illustrated)	AR

**NORD Gear Limited**  
Toll Free in Canada: 800.668.4378

**NORD Gear Corporation**  
Toll Free in the United States: 888.314.6673



# MOTORS - AC INDUCTION, SINGLE & POLYPHASE



## 19. Repair

Reference the parts list drawing on page 14 for clarification.

- A. Disassemble the motor according to the general exploded view in PARTS INFORMATION. Disassemble only as far as necessary to replace the failed parts.
- B. Whenever the motor is disassembled, clean all dust and contamination from the motor interior using a vacuum cleaner and a soft-bristled nylon brush.
- C. The following parts must be replaced if they are removed:
  - Oil seal (904), Oil seal (933)
  - Gasket (909), Gasket (910), Gasket (921)
  - Gasket on plug (961)
  - Self-locking screws (907-1, 908-1, 923, 932-1, 940-1)
  - Dubo Seals (902-2)
- D. If the following parts are removed, inspect them, and replace them if they are deformed or damaged:
  - Retaining ring (919), Retaining ring (947), Retaining ring (948)
  - Fan clip (952)

## 20. Removing and Replacing Integral Motors

Reference the parts list on Page 14 for clarification.

- A. Disconnect the power to the electric motor. Make certain the motor is properly grounded, de-energized and secured with a lock-out/tag-out device.
- B. Drain the oil from the mating gearbox, or rotate the motor/gearbox assembly so that the motor is up, to prevent oil from spilling from the gearbox when the motor is removed.
- C. Support the motor and prepare it for removal. Steady the motor and support it. For larger motors, use of mechanical lifting or support devices to may be appropriate.
- D. Remove the fastening screws that hold the motor to the reducer input.

	<b>IMPORTANT NOTE</b>
<p>Most integral motor installations have mounting bolts accessible from the motor exterior. If the bolts are not clearly visible, unbolt the input flange from the gearbox. Remove the bolts securing the motor to the reducer input flange, and discard the old DUBO sealing rings that were under the screw heads.</p>	

- E. Maintain motor shaft alignment and move the motor directly away from its mounting surface until the motor shaft and mating input gear clear both the internal gear mesh and reducer input.

- F. Remove and discard the old flange gasket.
- G. Clean the gasket faces on the motor and gearbox, making sure no cleaning debris enters the gearbox.
- H. Check the replacement motor to make sure the motor flange, motor shaft, and motor pinion are identical to the motor that was removed.
- I. Place a new gasket between the gearbox and new motor.
- J. Position the motor on the gearbox, making sure the input pinion meshes with the input gear. Rotate the motor as necessary to align the bolt holes and seat the motor flange. Make sure the gasket remains properly aligned and seated
- K. Apply a medium strength thread locking compound to the bolt threads. Install the bolts and tighten them to the appropriate torque.

	<b>IMPORTANT NOTE</b>
<p>If the motor/gearbox installation uses an input flange, first mount the input flange to the motor using the four mounting bolts and NEW DUBO sealing rings under the head of each fastening screw. Make sure the fastening screws are clean and apply new thread sealant if necessary.</p>	

- L. Check the gearbox oil level in accordance with the appropriate User Manual/s. If necessary fill or add oil to the gearbox.

<b>NOTICE</b>
<p>Do not mix oil types. Mixing oil types may lead to component damage and diminished performance. Consult NORD for assistance or reference oil type listed on gearbox tag.</p>

- M. Re-establish the electrical connection to the motor.
- N. Observe the subsequent start-up closely to make certain the equipment is operating properly and there are no seal or gasket leaks.



## 21. Removing and Replacing NEMA C-Face or IEC Flange-Mounted Motors

For further clarification of these instructions, reference the parts list on Page 14 of this manual.

- A. Disconnect the power to the electric motor. Make certain the motor is properly grounded, de-energized and secured with a lock-out/tag-out device.
- B. Support the motor and prepare it for removal. Steady the motor and support it. For larger motors, use of mechanical lifting or support devices to may be appropriate.
- C. Remove the fastening screws that hold the motor to the C-face or IEC mounting flange.
- D. Maintain motor shaft alignment, and move the motor directly away from its mounting surface until the motor shaft and mating coupling clear the mounting flange surface of the driven equipment.
- E. Measure and record the proper placement of the motor shaft coupling prior to removing it from the old motor.
- F. Make sure the new motor shaft, key and key slot are free of all nicks, burrs, and lubrication or grease.
- G. Install the new shaft key on the new motor. If the shaft key is not captured or if an open-ended key slot is utilized it is good practice to secure the key into the key slot with a medium strength thread locking agent or alternatively one may stake the key in place.
- H. Re-install the coupling on the new motor shaft, making sure the placement of the coupling is in the same location as it was on the old motor (See Step E).
- I. Clean all old gasket material, sealants, contamination, and corrosion from the flange surface on the driven equipment.
- J. If the motor is utilized in a wet or wash down environment apply a sealing gasket or gasket eliminating compound to the mating flange surface, as would seem most appropriate for the application.
- K. Support the new motor and mount it flush against the mating flange surface of the driven equipment.
- L. Apply a medium strength thread locking agent to the bolt threads.
- M. Install the bolts and tighten them to the appropriate torque.
- N. Re-establish the electrical connection to the motor.
- O. Observe the subsequent start-up closely to make certain the equipment is operating properly.

## 22. Testing



### IMPORTANT NOTE

NORD electric motors do not require periodic testing. However, if a motor is removed from its installation, NORD recommends that the motor be checked according to the following static and dynamic testing procedures before it is reinstalled. Finding a condition that will require future repair before the motor is reinstalled decreases the overall maintenance time.

This section provides general test information and functional checks for the types of motors covered by this manual. Read and understand the tests and checks before performing them on your motor.

Record and date all measurements taken.

If the motor fails any of the test procedures provided below, use the troubleshooting guide to determine the motor problem.

### Static Testing

- A. The motor can only be static tested if it is disconnected from the component it drives and securely mounted on a fixture or mounting plate. These tests are usually conducted when a motor has been removed for any reason other than failure
- B. Turn the motor shaft slowly by hand. Feel and listen for evidence of a failed bearing, which is indicated by a rough feel as the shaft rotates, and by noise.
- C. Check for smooth rotation, with no evidence of binding or catching. If the shaft does not rotate smoothly, or binds or catches, the bearings are worn or failing, lack lubrication, or are contaminated.
- D. Check the motor shaft for side play by applying pressure at right angles to the shaft in several places around the circumference. If the shaft moves perceptibly, the front bearing may be worn.

### Dynamic Testing

- A. Find the motor voltage and rated load current values as listed on the motor nameplate.
- B. Using a volt-ohmmeter, verify that the motor power supply is in the correct range.
- C. Run the motor with no load. As the motor is operating, listen for unusual motor noise and check for excessive vibration. Vibration and motor noise are indications of bearing contamination, lack of lubrication, damage, or failure.
- D. Use an ammeter to measure the no-load current. Record the no-load current for comparison with previous readings, and for reference during future testing.
- E. If the motor passes the no-load test, operate the motor at rated load and check and record the current.
- F. Check the motor operating temperature at rated load. If the motor operates at a higher than normal temperature, the motor may be damaged, overloaded or failing.



# MOTORS - AC INDUCTION, SINGLE & POLYPHASE



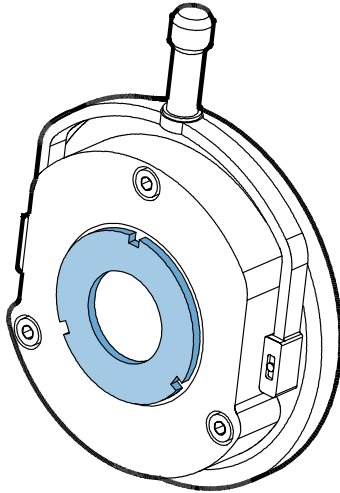
## 23. Troubleshooting

Fault	Likely Cause	Corrective Action
Motor fails to start.	<ul style="list-style-type: none"> <li>Motor is mis-wired</li> <li>Brake is may not be releasing.</li> <li>Fan guard damaged and contacting fan.</li> <li>Motor protection device has tripped or does not switch</li> <li>1-Ph Capacitor or start switch has failed.</li> </ul>	<ul style="list-style-type: none"> <li>Verify and correct motor wiring.</li> <li>Troubleshoot brake per User Manual U35000.</li> <li>Replace damaged fan guard.</li> <li>Check motor protection device for correct setting and correct error.</li> <li>Discharge capacitor and use a volt-ohm meter to check the capacitor for an open circuit - replace if needed. Inspect switch and connections. Replace if contacts look burned or pitted.</li> </ul>
Fuses blow or motor protection faults immediately.	<ul style="list-style-type: none"> <li>Short circuit in line.</li> <li>Lines connected incorrectly.</li> <li>Fuse or circuit breaker tripped.</li> <li>Motor is overloaded or equipment jammed.</li> <li>Stator is shorted or went to ground.</li> </ul>	<ul style="list-style-type: none"> <li>Rectify short circuit.</li> <li>Check circuit diagram and make corrections.</li> <li>Replace fuse or circuit breaker.</li> <li>Make sure load is free. Verify motor amp draw compared to nameplate rating.</li> <li>A damaged or blown stator will show a burn mark. Stator must be repaired or replaced.</li> </ul>
Motor hums and has high current consumption	<ul style="list-style-type: none"> <li>Brake may not be releasing.</li> <li>Rotor may be rubbing stator.</li> <li>Defective or incorrect stator winding.</li> </ul>	<ul style="list-style-type: none"> <li>Troubleshoot brake per User Manual U35000.</li> <li>Send motor to a repair specialist.</li> </ul>
Severe speed loss under load or excessive acceleration time.	<ul style="list-style-type: none"> <li>Overload.</li> <li>Excessive voltage drop.</li> <li>Damaged or failing motor bearings.</li> <li>Damaged or worn gear unit.</li> <li>1-Ph Capacitor or start switch has failed.</li> </ul>	<ul style="list-style-type: none"> <li>Check load conditions and make certain system is unobstructed. Reduce load or consider a larger motor.</li> <li>Verify service voltage is within specification. Check if nearby equipment is affecting incoming power. Make sure connection harness and wiring is adequate.</li> <li>Replace motor bearings.</li> <li>Replace or repair damaged gear unit.</li> <li>See instructions under "Motor fails to start".</li> </ul>
Motor runs the incorrect direction.	<ul style="list-style-type: none"> <li>Incorrect wiring.</li> </ul>	<ul style="list-style-type: none"> <li>Rewire motor according to system schematic and/or switch two incoming motor phases.</li> </ul>
Motor heats up excessively or thermal overload protection trips	<ul style="list-style-type: none"> <li>Overload.</li> <li>Ambient temperature is too high.</li> <li>Inadequate cooling.</li> <li>Operation is outside the allowed duty cycle.</li> <li>Motor protection device may be defective.</li> <li>Excessive supply voltage.</li> <li>System short or damaged stator.</li> </ul>	<ul style="list-style-type: none"> <li>Make sure load is free. Verify motor amp draw compared to nameplate rating. Reduce load or consider a larger motor.</li> <li>Do not operate above the rated conditions.</li> <li>Correct cooling air supply. Open and clear cooling air passages. Retrofit with forced ventilator fan if needed.</li> <li>Adjust operating duty cycle or contact a specialist to select a suitable motor or drive.</li> <li>Replace motor protection device.</li> <li>Adapt motor supply voltage.</li> <li>Check for loose, cut or damaged wires. Check stator winding for defects or burn damage.</li> </ul>
Excessive Noise or Vibration	<ul style="list-style-type: none"> <li>Motor bearings contaminated or damaged.</li> <li>Excessive motor shaft end play.</li> <li>Misaligned or imbalanced load.</li> </ul>	<ul style="list-style-type: none"> <li>Test motor by itself. If bearings are bad noise may be heard or roughness detected. Replace bearings. Add lubrication if bearings have grease fittings.</li> <li>Check shaft endplay with motor and system power disconnected. If shaft movement is excessive replace motor shaft bearings.</li> <li>Check all mating shaft connections for proper alignment and correct all imbalanced load conditions.</li> </ul>
1 Ph Start Capacitor Failures	<ul style="list-style-type: none"> <li>Motor is not coming up to speed quickly enough.</li> <li>Motor is being cycled frequently</li> <li>Start switch is defective or damaged.</li> </ul>	<ul style="list-style-type: none"> <li>Verify motor size to load conditions. Motor should come up to speed in no more than 2-3 seconds.</li> <li>Verify duty cycle and consult specialist for recommendations.</li> <li>Replace start switch.</li> </ul>
1 Ph Run Capacitor Failures	<ul style="list-style-type: none"> <li>Possible power surge to motor caused by transient voltage or lightning.</li> <li>Excessive ambient temperature.</li> </ul>	<ul style="list-style-type: none"> <li>Install proper surge protection.</li> <li>Verify ambient conditions do not exceed nameplate value.</li> </ul>





# MOTOR BRAKES INSTALLATION & MAINTENANCE



## General Instructions

This manual describes general operating and maintenance guidelines for a majority of brake products shipped by NORD Gear. This instruction manual is not intended to include a comprehensive listing of all details or procedures required for installation, operation and maintenance.

Brakes covered in this manual are manufactured by PRECIMA. Please feel free to contact NORD with any questions about the supplied brake components.

## Safety Notice

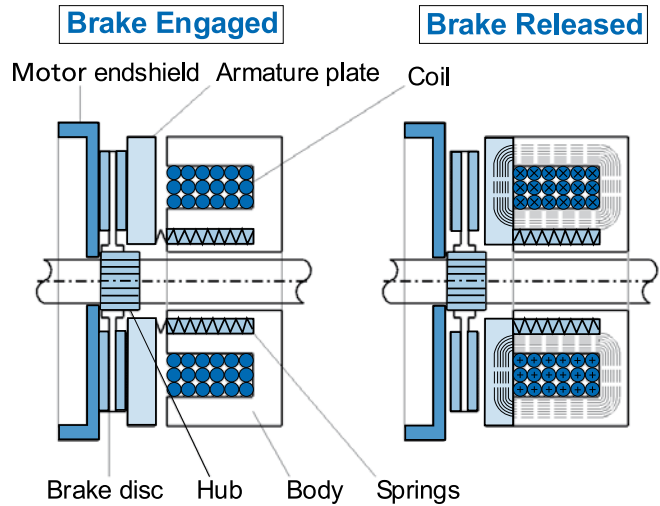
Only qualified personnel should attempt installation, operation and maintenance of NORD brakes. Read this manual in its entirety before operating, commissioning, servicing, or assembling the motor brake. If you have a question about a procedure or are uncertain about any detail, seek clarification and **DO NOT PROCEED!**

	<b>DANGER</b>
<ul style="list-style-type: none"> <li>• This equipment contains high electrical voltage. Remove and lockout all power from the electric motor and brake before any work is completed on the brake.</li> <li>• The user is responsible for conforming to all national and local electrical and safety codes. Wiring practices, proper grounding, disconnects, and over current protection, are of particular importance.</li> <li>• Make certain the load is supported when servicing the brake. Removing power from the brake or removing the brake from the motor will release the load, which may cause severe injury or death.</li> <li>• Failure to follow proper procedures and precautions may result in severe bodily injury or death.</li> </ul>	

## Brake Operation

The standard NORD motor brake is "spring-set". When power is removed and the brake is de-energized (power-off), the brake springs exert a force against the armature plate in turn preventing the brake rotor (or brake disc) from rotating. When the brake coil is energized (power-on), a magnetic field builds and pulls the armature plate across the air gap to the brake casing, which releases the brake rotor and allows the motor shaft to rotate.

Figure 1: Basic Brake Operation



NORD brakes are DC voltage brakes and in most instances are supplied with a motor mounted brake rectifier for easy connections to AC power. AC power is taken directly from the power line or from the terminal block of the motor and converted to DC by the supplied rectifier.

	<b>IMPORTANT NOTE</b>
<p>If the motor is connected to a frequency inverter, soft start, or is a two-speed motor, the AC power must be supplied to the brake rectifier separately from the motor power.</p>	

## Advantages

- Each NORD motor frame size has a number of brake sizes available, with different torque capacities.
- Brake torque adjustments are possible by changing the brake spring combinations. In addition, brake sizes from 5-40 Nm (3.7-30 lb-ft) are typically supplied with an additional spanner-nut adjustment on the back of the brake.
- NORD brakes provide a high degree of safety because when power is removed the brake will automatically set to hold the load.
- The brake rotor or brake disc is environmentally safe and asbestos-free.
- The connection between the rectifier and the brake coil is completed at the factory and the brake air-gap is factory-set but can be adjusted in the event of wear.



## General Selection Considerations

As indicated in the NORD catalog, each NORD motor can be supplied with a number of brake torque sizes.

NORD relies on the equipment builder to specify appropriate brake sizing for their application, while giving consideration to the following:

- For most applications, we advise sizing the brake to 1.5 - 2 times the motor rated torque.
- For vertical applications, it may be advisable to size the brake size up to 3 times the motor rated torque.
- For some applications, it may be necessary to specify a reduced brake torque setting to prevent excessive peak load conditions developed at the reducer output.
- On travel drive applications, excessive brake torque may lead to wheel skid; in addition on crane applications excess hoist-cable swing can result.



### IMPORTANT NOTE

- **Brake torque** - The brake torque is measured with a mean friction radius of the brake pad surface with a circumferential speed of 1m/sec (197 fpm).
- **Brake torque tolerance** - For different applications and operating conditions, brake torque can vary from +40/-20% compared to the rated brake torque.
- **Hoisting (lifting/lowering) applications** - must have the brake wired for fast response (DC-switching)
- **Initial operation & wear-in period** - In new condition, the brake will have a reduced torque of up to 30%. In order to achieve full rated brake torque, a short run-in period is required. The run in time will vary depending on system loads.
- **The brake rotor or brake pad** - must be protected against foreign matter, oil and grease. Contaminants of this type can greatly influence wear and reduce breaking torque.

## Brake Torque Adjustment

Brake torque adjustments are possible by changing the brake spring combinations or by removing springs (Table 1).

In addition, brake sizes from 5-40 Nm (3.7-30 lb-ft) are typically supplied with a threaded adjustment nut or spanner nut to allow for additional fine torque adjustments of the brake. The braking torque can be adjusted by unscrewing the spanner nut a number of turns or "clicks" with a spanner wrench (Table 2).

Table 1a: Brake Torque Reduction - Spring Removal

"Brake Size"	7 Springs		5 Springs		3 Springs	
	[Nm]	[lb-ft]	[Nm]	[lb-ft]	[Nm]	[lb-ft]
BRE 5	5	3.7	3.5	2.6	2	1.5
BRE10	10	7.4	7	5.2	4	3.0
BRE20	20	14.8	14	10.3	8	5.9
BRE40	40	29.5	28	20.7	17	12.5
BRE60	60	44.3	43	31.7	26	19.2
BRE100	100	73.8	70	51.6	42	31.0
BRE150	150	111	107	78.9	65	47.9

On brake sizes 5-150 Nm (3.7-111 lb-ft) full brake torque is achieved with all (7) springs. The brake springs are placed in such a manner where there are (3) inner and (4) outer springs. When adjusting the brake torque, start by removing the outer springs at opposite corners to prevent uneven brake wear.

Table 1b: Brake Torque Reduction - Spring Removal

"Brake Size"	8 Springs		6 Springs		4 Springs	
	[Nm]	[lb-ft]	[Nm]	[lb-ft]	[Nm]	[lb-ft]
BRE250	250	184	187	138	125	92
BRE400	400	295	300	221	200	148
BRE800	800	590	600	443	400	295
BRE1200	1200	885	900	664	600	443

On brake sizes 250-1200 Nm (184-885 lb-ft) full brake torque is achieved with all (8) springs. The brake springs are placed in such a manner where there are (4) inner and (4) outer springs. When adjusting the brake torque, start by removing the outer springs at opposite corners to prevent uneven brake wear.

Table 2: Spanner Nut Adjustment

"Brake Size"	Torque Reduction*		Max. Turns	Minimum Torque*	
	[Nm]	[lb-ft]		[Nm]	[lb-ft]
BRE 5	0.2	0.15	6	0.8	0.59
BRE10	0.2	0.15	12	1.6	1.18
BRE20	0.3	0.22	12	4.4	3.25
BRE40	1	0.74	9	8.0	5.90

\* With the minimum number of springs and maximum number of turns to the spanner nut.

\* Per each turn of the spanner nut

Brake sizes from 5-40 Nm (3.7-30 lb-ft) are typically supplied with a threaded adjustment nut or spanner nut. Additional fine torque adjustment can be made by unscrewing the spanner nut a number of turns or "clicks" with a spanner wrench.



# MOTOR BRAKES INSTALLATION & MAINTENANCE



## Brake Control Rectifiers

NORD brake control rectifiers convert AC voltage to DC voltage. Rectifiers are used because most applications require AC voltage to power the motor, but DC power is required to power the brake and DC power is not typically available. NORD brake motors typically include the rectifier located inside the terminal box.

## Rectifier Advantages

- Individual power source for each brake.
- Compact size, mounted inside the terminal box.
- Multiple types, voltage options and release/engagement modes available.
- Mountable in a separate control cabinet.
- Integral protection against voltage spikes.

Model	Type	Part No.	Color	Input Voltage $V_{AC} \pm 10\%$	Rated Current $A_{DC}$	
					(40°C)	(75°C)
GVE20L	Full-wave	19141000	Black	110-275	1.5	1.0
GVE20V	Full-wave	19141030	Black	110-275	1.5	1.0
GHE40L	Half-wave	19141010	Yellow	200-480	2.0	1.0
GHE40V	Half-wave	19141040	Yellow	200-480	2.0	1.0
GHE50L	Half-wave	19141020	Gray	200-575	2.0	1.0
GHE50V	Half-wave	19141050	Gray	200-575	2.0	1.0
GUE40V	Dual-wave	19140300	Black	190-460	0.7	0.5
PMG500	Push-Hybrid	19140200	Black	200-500	4.0	2.8

Rectifier electronics are sealed for moisture-protection; electronics on models ending with the suffix "V" are resin-encapsulated to provide added protection if water should get into the motor terminal box.

## Rectifier Types

### Full-wave rectifier [GVE]:

A rectifier in which both the positive and negative half-cycles of the AC input signal are rectified to produce a uni-directional DC current supply to the load or the brake. The output voltage is 90% of the input voltage ( $V_{DC} = 0.90 \times V_{AC}$ ).

### Half-wave rectifier [GHE]:

A rectifier in which only alternate half-cycles of the AC input signal are rectified to produce a uni-directional DC current supply to the load or the brake. The output voltage is 45% of the input voltage ( $V_{DC} = 0.45 \times V_{AC}$ ).

### Dual Wave Rectifier [GUE]

A rectifier that can be wired as either a full-wave rectifier or a half-wave rectifier depending upon how it is connected to the AC input signal.



## IMPORTANT NOTE

If the motor is connected to a frequency inverter, soft start, or is a two-speed motor, then separate AC power must be supplied to the brake rectifier.

## Rectifier Types [Ctd.]

### PMG 500 Push-Hybrid rectifier [PMG]:

A fast-acting or push-hybrid brake rectifier provides an initial "push" in the form of a timed full-wave brake-release function, which is then followed by a continuous half-wave brake-holding function. There are two ways to apply these rectifiers as follows:

- "Overexcitation" of the brake coil provides faster brake release or improved cycling capacity. The DC voltage of the brake coil is determined based upon using a half-wave rectifier. The output voltage is 45% of the input voltage ( $V_{DC} = 0.45 \times V_{AC}$ ).
- "Reducer-Power Holding" of the brake coil maintains the brake in a released state by using only 25% of the power needed for the initial brake release. This results in very fast brake stopping. The DC voltage of the brake coil is determined based upon using a full-wave rectifier. The output voltage is 90% of the input voltage. ( $V_{DC} = 0.90 \times V_{AC}$ ).

NORD offers additional fast-acting rectifiers besides the PMG 500. For additional details please reference User Manual U35100 – Fast Acting Brake Rectifiers.

## NOTICE

In order to prevent rapid wear, the PMG 500 rectifier is required when utilizing the larger 800 Nm (590 lb-ft) and 1200 Nm (885 lb-ft) twin-rotor brakes. The PMG 500 rectifier is wired to "overexcite" the brake during its initial release.

## Brake Switching Options

The rectifiers discussed in this manual can be wired to allow brake switching at either the AC power source (input) or the DC power source (output).

- AC switching allows the brake rectifier to be powered directly from the motor's terminal block with no additional wiring. However, this provides a slower brake stopping time due to the additional time needed to de-energize or collapse the motor's magnetic field.
- DC switching directly interrupts the current flow in the DC circuit of the brake rectifier. This method of brake switching guarantees faster brake stopping or brake engagement times.



## WARNING

When the moving system undergoes a change in height (such as in a lift or incline conveyor application) or if the system tends to speed up or overhaul during normal operation, then DC-switching of the brake is required in order to prevent excessive load movement, drift or falling loads during stopping.

Figure 2.1: GVE/GHE Dimensions

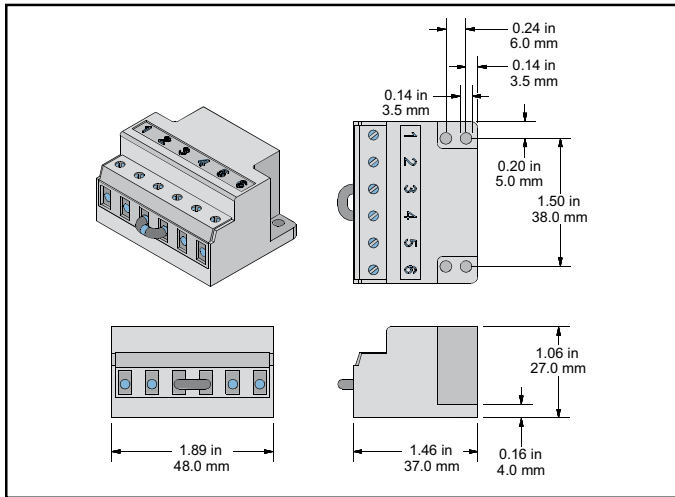


Figure 3.1: GUE Dimensions

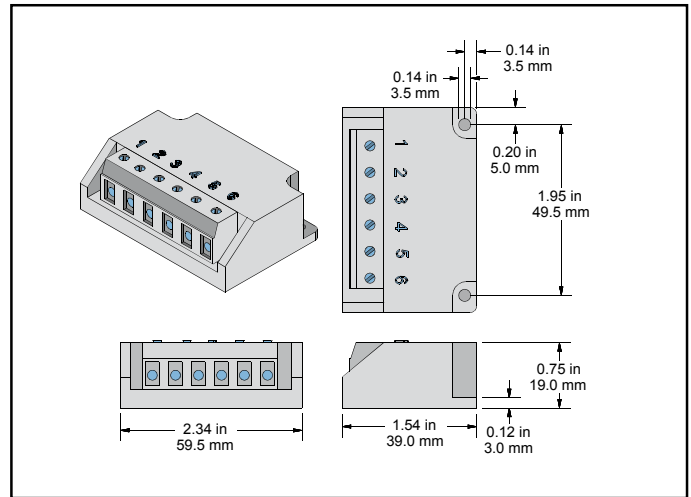


Figure 2.2: GVE/GHE Braking Methods

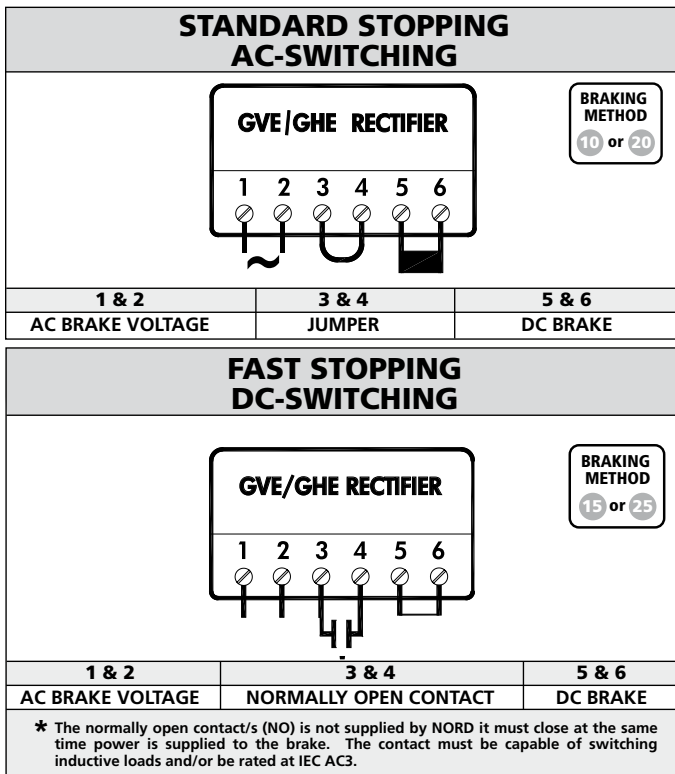
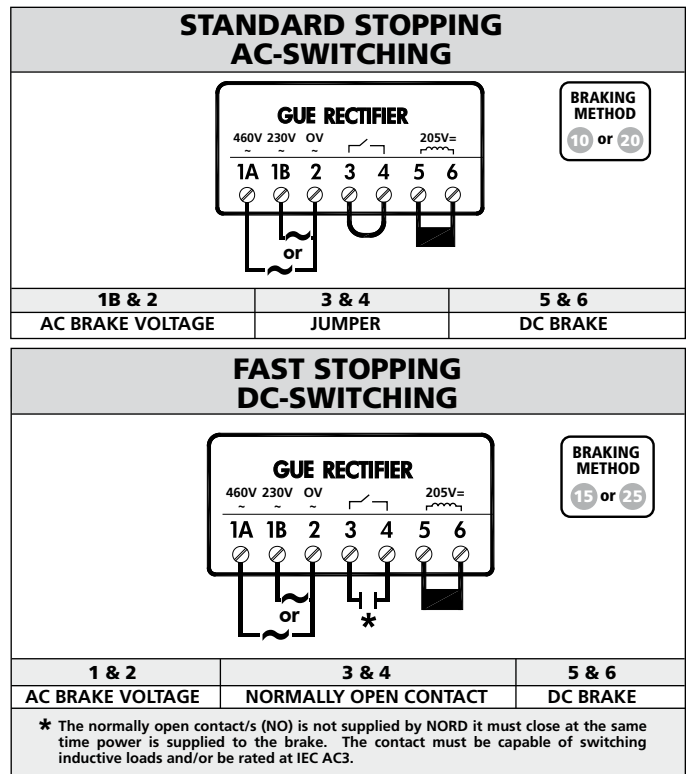


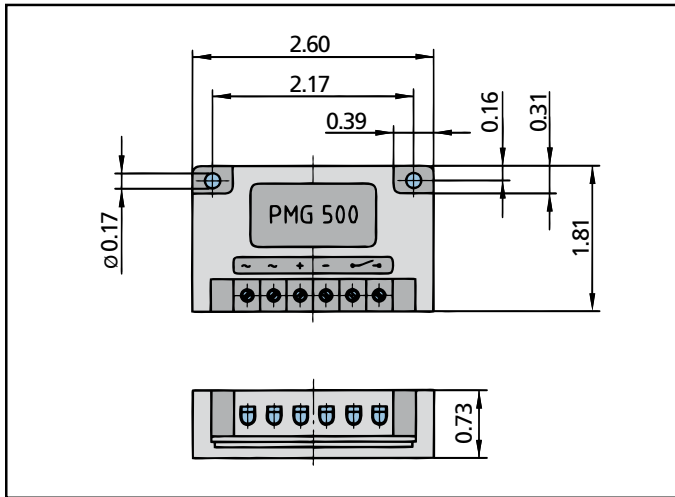
Figure 3.2: GVE/GHE Braking Methods



Braking Method	Break Release (Start)	Brake Engage (Stop)	Power Source
10	Standard	Standard (AC-Switching)	Motor terminals
15	Standard	Fast (DC-switching)	Motor terminals
20	Standard	Standard (AC-Switching)	Separate power
25	Standard	Fast (DC-switching)	Separate power

Braking Method	Break Release (Start)	Brake Engage (Stop)	Power Source
10	Standard	Standard (AC-Switching)	Motor terminals
15	Standard	Fast (DC-switching)	Motor terminals
20	Standard	Standard (AC-Switching)	Separate power
25	Standard	Fast (DC-switching)	Separate power

Figure 4.1: PMG 500 Dimensions



### PMG 500 Push-Hybrid Rectifier

The PMG 500 rectifier provides an initial “push” the form of a timed full-wave brake-release function, which is then followed by a continuous half-wave brake-holding function.

- In order to prevent rapid wear, the PMG 500 rectifier is required when utilizing the larger 800 Nm (590 lb-ft) - and 1200 Nm (885 lb-ft) twin-rotor brakes.
- The PMG 500 rectifier is wired to “overexcite” the brake during its initial release. The DC voltage of the brake coil is determined based upon using a half-wave rectifier.

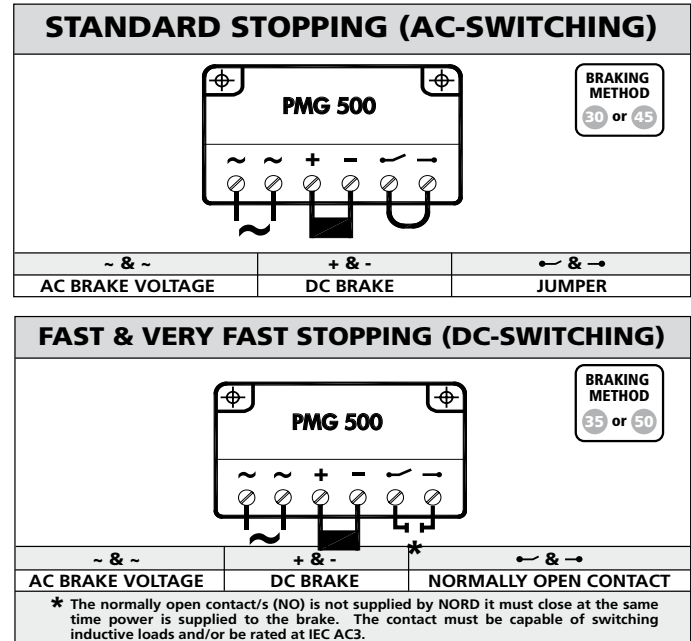
In some applications the PMG rectifier may be used for “Reduced Power Holding” or very fast brake engagement (See user manual U35100 for details).



### IMPORTANT NOTE

If the motor is connected to an AC drive, soft start, or is a two-speed motor, the AC power must be supplied to the brake rectifier separately from the motor power.

Figure 4.2: PMG 500 Braking Methods



Braking Method	Break Release (Start)	Brake Engage (Stop)	Power Source
30	Fast (Overcitation)	Standard (AC Switching)	Motor terminals
35	Fast (Overcitation)	Fast (DC Switching)	Motor terminals
45	Fast (Overcitation)	Standard (AC Switching)	Separate power
50	Fast (Overcitation)	Fast (DC Switching)	Separate power



# MOTOR BRAKES INSTALLATION & MAINTENANCE



DRIVESYSTEMS

RETAIN FOR FUTURE USE

U35000 - 6 of 20

**BRAKE SIZE: BRE 5****BRAKE TORQUE: 5 Nm (3.7 lb-ft) max.**

NORD Brake P/N	Half-Wave		Full-Wave		P <sub>c</sub> [W]	V <sub>c</sub> [V <sub>DC</sub> ]	I <sub>c</sub> [A <sub>DC</sub> ]	R <sub>c</sub> [Ω]
	[V <sub>AC</sub> ]	[A <sub>AC</sub> ]	[V <sub>AC</sub> ]	[A <sub>AC</sub> ]				
19010212	-	-	-	-	22	24	0.92	26.0
19010912	230	0.09	115	0.19	22	105	0.21	500
19011902	400	0.05	200	0.11	22	180	0.12	1475
19011912	460	0.05	230	0.10	22	205	0.11	1900
19012212	500	0.04	250	0.08	21	225	0.09	2450
19012512	575	0.04	-	-	22	250	0.09	2850

**BRAKE SIZE: BRE 10****BRAKE TORQUE: 10 Nm (7.4 lb-ft) max.**

NORD Brake P/N	Half-Wave		Full-Wave		P <sub>c</sub> [W]	V <sub>c</sub> [V <sub>DC</sub> ]	I <sub>c</sub> [A <sub>DC</sub> ]	R <sub>c</sub> [Ω]
	[V <sub>AC</sub> ]	[A <sub>AC</sub> ]	[V <sub>AC</sub> ]	[A <sub>AC</sub> ]				
19020222	-	-	-	-	28	24	1.17	20.6
19020922	230	0.14	115	0.28	33	105	0.32	332
19021902	400	0.07	200	0.15	29	180	0.16	1100
19021922	460	0.06	230	0.11	26	205	0.13	1620
19022222	500	0.06	250	0.12	30	225	0.13	1700
19022522	575	0.05	-	-	27	250	0.11	2323

**BRAKE SIZE: BRE20****BRAKE TORQUE: 20 Nm (15 lb-ft) max.**

NORD Brake P/N	Half-Wave		Full-Wave		P <sub>c</sub> [W]	V <sub>c</sub> [V <sub>DC</sub> ]	I <sub>c</sub> [A <sub>DC</sub> ]	R <sub>c</sub> [Ω]
	[V <sub>AC</sub> ]	[A <sub>AC</sub> ]	[V <sub>AC</sub> ]	[A <sub>AC</sub> ]				
19030222	-	-	-	-	34	24	1.42	16.9
19030922	230	0.18	115	0.35	41	105	0.39	270
19031922	400	0.09	200	0.17	34	180	0.19	950
19031932	460	0.07	230	0.13	30	205	0.15	1391
19032222	500	0.07	250	0.15	36	225	0.16	1391
19032522	575	0.06	-	-	35	250	0.14	1780

**BRAKE SIZE: BRE40****BRAKE TORQUE: 40 Nm (30 lb-ft) max.**

NORD Brake P/N	Half-Wave		Full-Wave		P <sub>c</sub> [W]	V <sub>c</sub> [V <sub>DC</sub> ]	I <sub>c</sub> [A <sub>DC</sub> ]	R <sub>c</sub> [Ω]
	[V <sub>AC</sub> ]	[A <sub>AC</sub> ]	[V <sub>AC</sub> ]	[A <sub>AC</sub> ]				
19040232	-	-	-	-	41	24	1.69	14.2
19040932	230	0.21	115	0.42	49	105	0.46	226
19041902	400	0.11	200	0.22	45	180	0.25	723
19041922	460	0.11	230	0.22	50	205	0.24	840
19042232	500	0.09	250	0.18	44	225	0.20	1150
19042532	575	0.08	-	-	44	250	0.18	1425

**BRAKE SIZE: BRE 60****BRAKE TORQUE: 60 Nm (44 lb-ft) max.**

NORD Brake P/N	Half-Wave		Full-Wave		P <sub>c</sub> [W]	V <sub>c</sub> [V <sub>DC</sub> ]	I <sub>c</sub> [A <sub>DC</sub> ]	R <sub>c</sub> [Ω]
	[V <sub>AC</sub> ]	[A <sub>AC</sub> ]	[V <sub>AC</sub> ]	[A <sub>AC</sub> ]				
19050252	-	-	-	-	52	24	2.18	11.0
19050952	230	0.27	115	0.54	63	105	0.60	174
19051902	400	0.13	200	0.27	54	180	0.30	602
19051952	460	0.12	230	0.25	57	205	0.28	740
19052252	500	0.10	250	0.20	50	225	0.22	1004
19052552	575	0.09	-	-	48	250	0.19	1300

**BRAKE SIZE: BRE 100****BRAKE TORQUE: 100 Nm (74 lb-ft) max.**

NORD Brake P/N	Half-Wave		Full-Wave		P <sub>c</sub> [W]	V <sub>c</sub> [V <sub>DC</sub> ]	I <sub>c</sub> [A <sub>DC</sub> ]	R <sub>c</sub> [Ω]
	[V <sub>AC</sub> ]	[A <sub>AC</sub> ]	[V <sub>AC</sub> ]	[A <sub>AC</sub> ]				
19060252	-	-	-	-	80	24	3.33	7.2
19060952	230	0.39	115	0.79	92	105	0.88	120
19061902	400	0.21	200	0.42	83	180	0.46	390
19061952	460	0.20	230	0.40	91	205	0.44	464
19062252	500	0.16	250	0.32	79	225	0.35	643
19062552	575	0.14	-	-	79	250	0.31	795

**BRAKE SIZE: BRE 150****BRAKE TORQUE: 150 Nm (110 lb-ft) max.**

NORD Brake P/N	Half-Wave		Full-Wave		P <sub>c</sub> [W]	V <sub>c</sub> [V <sub>DC</sub> ]	I <sub>c</sub> [A <sub>DC</sub> ]	R <sub>c</sub> [Ω]
	[V <sub>AC</sub> ]	[A <sub>AC</sub> ]	[V <sub>AC</sub> ]	[A <sub>AC</sub> ]				
19070252	-	-	-	-	77	24	3.20	7.5
19070952	230	0.39	115	0.79	92	105	0.88	120
19071902	400	0.18	200	0.36	73	180	0.40	445
19071952	460	0.15	230	0.31	70	205	0.34	600
19072252	500	0.15	250	0.30	76	225	0.34	670
19072552	575	0.14	-	-	76	250	0.30	825

**BRAKE SIZE: BRE 250****BRAKE TORQUE: 250 Nm (185 lb-ft) max.**

NORD Brake P/N	Half-Wave		Full-Wave		P <sub>c</sub> [W]	V <sub>c</sub> [V <sub>DC</sub> ]	I <sub>c</sub> [A <sub>DC</sub> ]	R <sub>c</sub> [Ω]
	[V <sub>AC</sub> ]	[A <sub>AC</sub> ]	[V <sub>AC</sub> ]	[A <sub>AC</sub> ]				
19080252	-	-	-	-	99	24	4.14	5.8
19080952	230	0.51	115	1.03	120	105	1.14	92
19081902	400	0.27	200	0.54	108	180	0.60	300
19081952	460	0.24	230	0.49	111	205	0.54	380
19082252	500	0.20	250	0.40	100	225	0.44	507
19081962	575	0.17	-	-	95	250	0.38	655

**BRAKE SIZE: BRE 400****BRAKE TORQUE: 400 Nm (295 lb-ft) max.**

NORD Brake P/N	Half-Wave		Full-Wave		P <sub>c</sub> [W]	V <sub>c</sub> [V <sub>DC</sub> ]	I <sub>c</sub> [A <sub>DC</sub> ]	R <sub>c</sub> [Ω]
	[V <sub>AC</sub> ]	[A <sub>AC</sub> ]	[V <sub>AC</sub> ]	[A <sub>AC</sub> ]				
19092252	-	-	-	-	144	24	6.00	4.0
19092952	230	0.62	115	1.24	145	105	1.38	76
19093902	400	0.35	200	0.70	141	180	0.78	230
19093952	460	0.31	230	0.62	140	205	0.68	300
19093962	500	0.29	250	0.57	143	225	0.63	355
19093972	575	0.26	-	-	142	250	0.57	440

**BRAKE SIZE: BRE 800****BRAKE TORQUE: 800 Nm (590 lb-ft) max. ❶**

NORD Brake P/N	Half-Wave		Full-Wave		P <sub>c</sub> [W]	V <sub>c</sub> [V <sub>DC</sub> ]	I <sub>c</sub> [A <sub>DC</sub> ]	R <sub>c</sub> [Ω]
	[V <sub>AC</sub> ]	[A <sub>AC</sub> ]	[V <sub>AC</sub> ]	[A <sub>AC</sub> ]				
19094252	-	-	-	-	144	24	6.00	4.0
19094952	230	0.62	-	-	145	105	1.38	76
19095902	400	0.27	-	-	108	180	0.60	300
19095902	460	0.31	-	-	140	205	0.68	300
19095962	500	0.29	-	-	143	225	0.63	355

**BRAKE SIZE: BRE 1200****BRAKE TORQUE: 1200 Nm (885 lb-ft) max. ❷**

NORD Brake P/N	Half-Wave		Full-Wave		P <sub>c</sub> [W]	V <sub>c</sub> [V <sub>DC</sub> ]	I <sub>c</sub> [A <sub>DC</sub> ]	R <sub>c</sub> [Ω]
	[V <sub>AC</sub> ]	[A <sub>AC</sub> ]	[V <sub>AC</sub> ]	[A <sub>AC</sub> ]				
19099802	230	0.62	-	-	145	105	1.38	76
19099902	400	0.27	-	-	108	180	0.60	300
19099902	460	0.31	-	-	140	205	0.68	300

**NOTICE**

The PMG500 rectifier is required when utilizing the larger 800 Nm (590 lb-ft) - and 1200 Nm (885 lb-ft) twin-rotor brakes. In order to prevent rapid wear, NORD recommends using the PMG500 rectifier to "overexcite" the brake during its release. The brake coil should be sized utilizing the PMG rectifier like a half-wave rectifier.

Half-Wave [V<sub>AC</sub>] = AC supply voltage with half-wave rectifierHalf-Wave [A<sub>AC</sub>] = AC supply current to half-wave rectifierFull-Wave [V<sub>AC</sub>] = DC supply voltage with full-wave rectifierFull-Wave [A<sub>AC</sub>] = AC supply current to full-wave rectifier

❶ When used as a stopping brake, evaluation of brake work is essential.

❷ Designed as a holding brake or emergency stop brake only.

P<sub>c</sub> [W] = Power to brake coilV<sub>c</sub> [V<sub>DC</sub>] = DC brake coil voltage (range -30% to +10%)I<sub>c</sub> [A<sub>DC</sub>] = DC current top brake coilR<sub>c</sub> [V] = Brake coil resistance (±5%)

Brake coil data based upon ambient conditions of 20°C (68°F).

**NORD Gear Limited**

Toll Free in Canada: 800.668.4378

**NORD Gear Corporation**

Toll Free in the United States: 888.314.6673





# MOTOR BRAKES INSTALLATION & MAINTENANCE



## General Maintenance

### Brake Air Gap

In order to obtain optimal brake performance and maximum brake life, it is necessary to periodically check and reset the brake air gap. As the brake rotor wears and decreases in thickness, the air gap will increase. If the air gap is too large, the brake coil may not have enough magnetic force to pull the metal armature disc across the gap and the brake will drag.

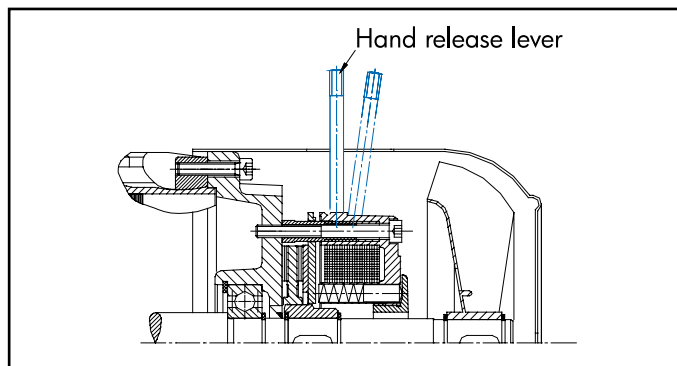
**IMPORTANT NOTE**

When a complete brake motor is supplied by NORD, the air gap is already set at the factory. If the brake is ordered as a part, the air gap must be set in the field. All brake air gap adjustments must be made with the brake assembled onto the motor and power off (brake engaged).

### Hand Release Lever (HL)

It is common to supply the NORD brake with a hand release lever assembly. The hand release lever allows the brake to be manually released without requiring that the brake be energized with voltage. The lever has a spring return that allows the brake to be hand released and returned automatically to its set position. The handle of the hand release lever can be unscrewed for easy removal.

Figure 5

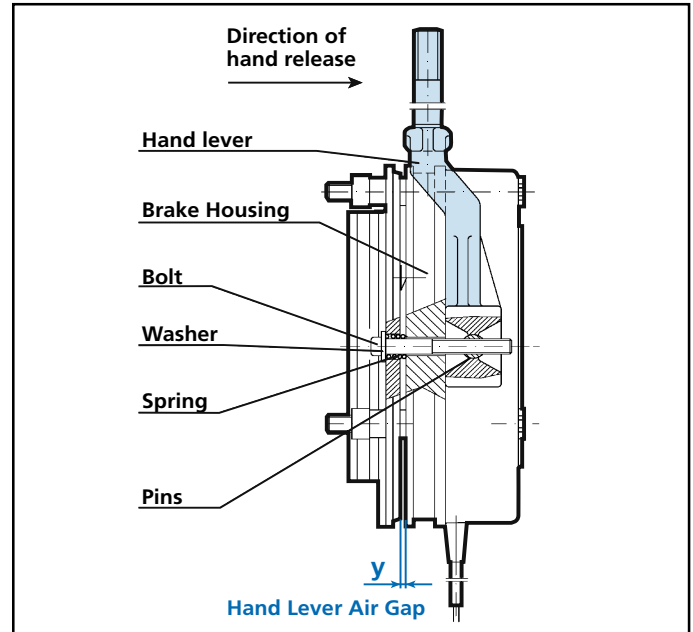


**IMPORTANT NOTE**

When a brake motor with hand-lever is supplied by NORD, both the hand lever air gap and brake air gap are set at the factory. When ordered as parts, proper hand-lever and air gap adjustments must be made in the field. Hand-lever adjustments must always be made prior to assembling the brake to the motor. All brake air gap adjustments must be made with the brake assembled to the motor and the power off (brake engaged).

## Brake Hand-Lever Installation and Adjustment

Figure 6



1. Place the hand-lever over the brake housing (as shown) and align the pins.
2. Screw the bolts with washer and spring into the pins.
3. Using a feeler gage, adjust the hand-lever air gap per Table 5.

Table 5: Hand-Lever Air Gap Setting

Brake Size	Dimension "y" ①		Brake Size	Dimension "y" ①	
	[mm]	[in]		[mm]	[in]
BRE 5	1	0.040	BRE 100	1.2	0.047
BRE 10	1	0.040	BRE 150	1.2	0.047
BRE 20	1	0.040	BRE 250	1.5	0.059
BRE 40	1	0.040	BRE 400	1.5	0.059
BRE 60	1	0.040	BRE 800	1.5	0.059
			BRE 1200	1.5	0.059

① Tolerance: + 0.008 in [+ 0.2 mm]

**IMPORTANT NOTE**

When setting the hand-lever gap or dimension "y" the magnetic brake coil housing and the anchor plate must be kept uniform all around.

**IMPORTANT NOTE**

- To assure proper assembly and proper functioning of the brake, the hand-lever must be assembled to the brake, and the hand-lever air gap must be adjusted, before the brake is assembled to the motor.
- Once adjusted properly, the hand-lever air gap setting should not be altered, even when readjusting the air gap setting.



## Setting the Brake Air Gap

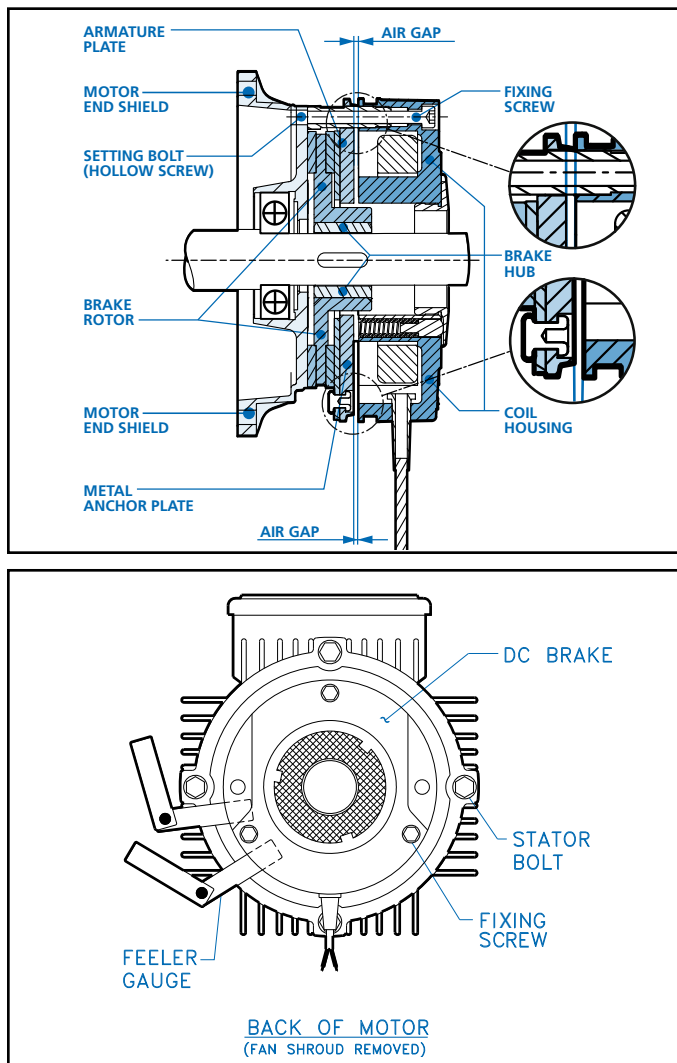
NORD spring-loaded brakes are virtually maintenance free. However, the air-gap of the brake rotor or brake disc must be periodically checked and adjusted. If necessary, the worn brake rotor must be replaced. Table 6 serves as guide to check and set the brake air gap as needed.

**i** **IMPORTANT NOTE**

When a complete brake motor is supplied by NORD, the air gap is already set at the factory. If the brake is ordered as a part, the air gap must be set in the field. All brake air gap adjustments must be made with the brake assembled to the motor and the power off (brake engaged).

The brake air gap is checked by placing a feeler gage between metal anchor plate and the brake coil housing as shown in Figure 6. This procedure is identical even for the larger BRE800 and BRE1200 twin rotor brakes.

Figure 7 – Setting the Brake Air Gap



## Procedure

1. Loosen the fixing screws that attach the brake to the motor's end-shield by approximately half a turn. The brake assembly may be further loosened by turning the setting bolts or hollow screws counter-clockwise into the brake coil housing.
2. The desired nominal air-gap for each brake size is displayed in Table 6. In the course of making adjustments, the air gap measurement must be checked in several places using a feeler gauge. The feeler gauge should be positioned between the armature plate and the brake coil housing as indicated in Figure 7.
3. Decreasing or Increasing the air gap can be accomplished per the following instructions:

**Decreasing the Air Gap** – To decrease the air gap, turn the setting bolts or hollow screws counter-clockwise while securing the fixing screws; alternatively, turn the fixing screws clockwise while securing the setting bolts or hollow-screws.

**Increasing the Air Gap** – To increase the air gap, turn the setting bolts or hollow screws clockwise while securing the fixing screws; alternatively, turn the fixing screws counter-clockwise, while securing the setting bolts or hollow screws.

4. Re-tighten the fixing screws to the proper torque as indicated in Table 6.
5. Re-check the air gap in several places and repeat Steps 1-5 as needed until the air gap spacing is uniform and consistent all the way around the brake.

Table 6: Brake Air Gap Settings

Brake Size	Fixing Screw Tightening Torque		Nominal Air Gap Setting ①		Maximum Air Gap ②	
	[lb-ft]	[Nm]	[in]	[mm]	[in]	[mm]
BRE 5	2.2	3	0.008	0.2	0.024	0.6
BRE10	4.4	6	0.008	0.2	0.028	0.7
BRE20	7.4	10	0.012	0.3	0.031	0.8
BRE40	7.4	10	0.012	0.3	0.035	0.9
BRE60	18	25	0.012	0.3	0.039	1.0
BRE100 ③	18	25	0.016	0.4	0.043	1.1
BRE150 ③	18	25	0.016	0.4	0.043	1.1
BRE250	37	50	0.020	0.5	0.047	1.2
BRE400	37	50	0.020	0.5	0.047	1.2
BRE800	37	50	0.028	0.7	0.047	1.2
BRE1200	37	50	0.028	0.7	0.047	1.2

① Tolerance: + 0.004 in [+ 0.1 mm]

② Brake air gap must be re-adjusted before the stated value.

③ When using the stainless steel friction plate (RG) increase the nominal air gap to 0.2 mm (0.008 in.).

## Brake Rotor (Brake Disc) Wear Assessment

Periodically the brake rotor or brake disc must also be checked for wear. If the brake rotors wear approaches the minimum allowed thickness, then the part should be replaced. Use Table 7 to determine whether or not the brake rotor requires replacement.

**Table 7: Brake Rotor Thickness**

Brake Size	Nominal Brake Rotor Thickness ❶		Minimum Brake Rotor Thickness ❷	
	[in]	[mm]	[in]	[mm]
BRE 5	0.295	7.5	0.177	4.5
BRE10	0.335	8.5	0.217	5.5
BRE20	0.406	10.3	0.295	7.5
BRE40	0.492	12.5	0.374	9.5
BRE60	0.571	14.5	0.453	11.5
BRE100	0.630	16	0.492	12.5
BRE150	0.709	18	0.571	14.5
BRE250	0.787	20	0.650	16.5
BRE400	0.787	20	0.650	16.5
BRE800	0.787	20	0.650	16.5
BRE1200	0.866	22	0.689	17.5

❶ As new condition.

❷ Worn condition - brake rotor replacement is required!

## Brake Pad Replacement (reference to parts list on page 8)

When the brake pad is worn the pad should be replaced to maintain proper brake operation and ensure safety.

### Required Tools

- Phillips head screw drivers (fan shroud removal)
- External snap ring pliers (fan and brake hub removal).
- Large flat head screw driver or small pry bar (fan removal)
- Metric T-handle wrenches and open-end wrenches.

### Procedure

1. Remove the fixing screws (946) securing the fan cover (940) to the motor end-shield (932). If the brake has a hand release (937), the lever arm should be removed by unscrewing it.
2. Remove the fan cover (940) and note the position of the hand release slot if applicable.
3. Remove the snap ring holding the cooling fan (939) and carefully remove the cooling fan (939), key and second snap ring (997).
4. If the brake is equipped with a dust boot (992), remove it.
5. Remove the socket head cap screws holding the brake coil (936) to the motor end-shield (932).
6. Remove the brake coil (936), noting the hand release (937) and power cable locations.
7. Slide the brake rotor (993) off the brake hub (938) which is secured to the motor shaft.
8. Clean the brake, install the new brake rotor pad and reassemble the brake in reverse order of the steps outlined.

## NORD Gear Limited

Toll Free in Canada: 800.668.4378

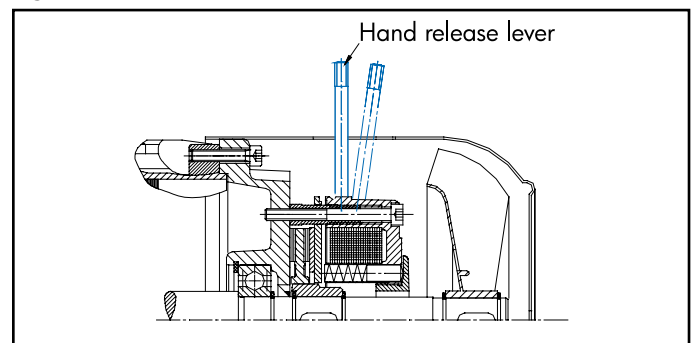
## Optional Brake Accessories

NORD can supply a variety of brake options and accessories, of which some of the most common are noted below.

### Hand Release Lever (HL)

The hand release lever allows the brake to be manually released without requiring that the brake be energized with voltage. The lever has a spring return that allows the brake to be hand released and returned automatically to its set position. The handle of the hand release lever can be unscrewed for easy removal.

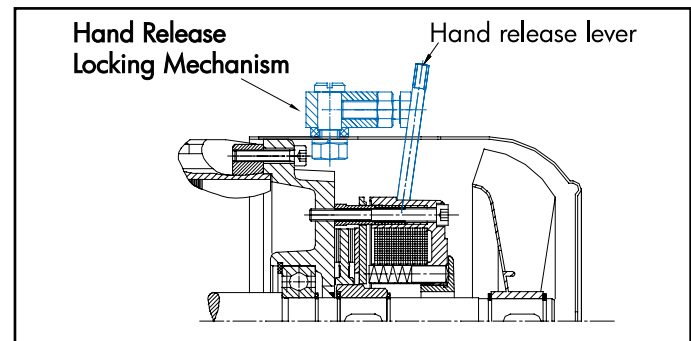
**Figure 8**



### Locking Hand Release Lever (FHL)

This option allows the brake to be manually released and locked off without requiring voltage to the brake. The lock mechanism prevents the spring from returning the brake to a closed state without manual action by the user. The hand release lever can be unscrewed for easy removal.

**Figure 9**



### Corrosion Protected Brake (RG)

The brake is fitted with a stainless steel brake plate to provide additional corrosion protection in severe and wet environments.

### Dust & Corrosion Protected Brake (SR)

A rubber-sealing boot is installed on the brake to provide additional protection in dusty environments. This feature includes the stainless steel brake plate (RG).

### IP66 Brake (IP66)

NORD can also provide an IP66 brake option designed for a bigger degree of protection against severe environments.

## NORD Gear Corporation

Toll Free in the United States: 888.314.6673



# MOTOR BRAKES INSTALLATION & MAINTENANCE

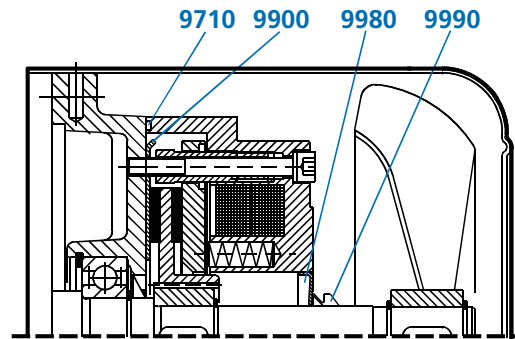
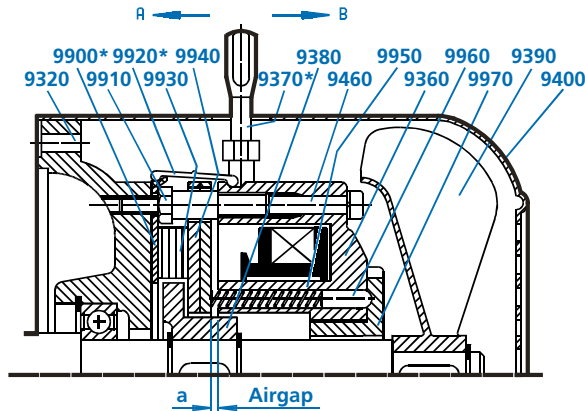


DRIVESYSTEMS

RETAIN FOR FUTURE USE

U35000 - 10 of 20

## Parts List - Precima Brakes



### Normal Design, Enclosure IP55 with following options:

- RG – Stainless Steel Disc (Item 9900)
- SR – Dust Boot-includes Option RG (Item 9920)
- HL – Hand Release (Item 9370)

### Optional Brake with optional IP66 enclosure

- |                           |                                    |                                |                                  |
|---------------------------|------------------------------------|--------------------------------|----------------------------------|
| 9320 Non-drive end shield | 9370 Manual brake lever – optional | 9710 O-ring - optional         | 9960 Pressure plate adjustment** |
| 9360 Brake coil           | 9380 Brake hub                     | 9900 Friction plate - optional | 9970 Adjustable ring **          |
| 9390 Fan                  | 9400 Fan cover                     | 9910 Setting bolt              | 9980 Bushing/seal - optional     |
| 9460 Fixing screw         | 9460 Fixing screw                  | 9920 Dust protection ring      | 9990 V-ring - optional           |
|                           |                                    | 9930 Brake rotor               |                                  |
|                           |                                    | 9940 Armature plate            |                                  |
|                           |                                    | 9950 Spring                    |                                  |

\*\* Only for brakes that are 5 Nm to 40 Nm

Table 8: Spare Parts

Brake Size	NORD Motor Frame	Brake Rotor [Item 9930]	Brake Hub [Item 9380]	Brake Hub Bore / (Style)	Hand Release (HL) [Item 9370]	Stainless Disc (RG) [Item 9900]	Dust Boot (SR) [Item 9920]
BRE5	63/71/80	19120042	19100112	15 mm (hex)	19150042	19130042	19110042
BRE10	63/71	19120082	19100212	15 mm (hex)	19150082	19130082	19110082
BRE10	80/90	19120082	19100222	20 mm (hex)	19150082	19130082	19110082
BRE20	80/90/112	19120162	19100322	20 mm (hex)	19150162	19130162	19110162
BRE20	100	19120162	19100332	25 mm (hex)	19150162	19130162	19110162
BRE40	90/100	19120322	19100452	25 mm (spline)	19150322	19130322	19110402
BRE40	112	19120402	19100442	30 mm (hex)	19150322	19130322	19110402
BRE60	100	19120602	19100532	25 mm (spline)	19150602	19130602	19110602
BRE60	112	19120602	19100542	30 mm (spline)	19150602	19130602	19110602
BRE60	132	19120602	19100552	35 mm (spline)	19150602	19130602	19110602
BRE100	132/160	19120802	19100652	35 mm (spline)	19150802	19130802	19110802
BRE150	132	19121502	19100752	35 mm (spline)	19151502	19131502	19111502
BRE150	160/180	19121502	19100772	45 mm (spline)	19151502	19131502	19111502
BRE250	160/180	19122402	19100872	45 mm (spline)	19152402	19132500	19112502
BRE250	200	19122402	19100882	50 mm (spline)	19152402	19132500	19112502
BRE400	200/225	19124002	19100912	60 mm (spline)	19154003	10114020	19114002



## IMPORTANT NOTES

- For brake coil part numbers, listed by brake size and coil voltage, please see page 4.
- The large BRE 800 and BRE 1200 twin rotor brakes are supplied to NORD pre-assembled and complete. For parts list details and spare parts information please contact NORD.



# MOTOR BRAKES INSTALLATION & MAINTENANCE



## Brake Times & Electrical Selection

Brake timing performance is critical in selecting the optimal brake system. NORD brakes can provide exceptional performance in terms of the release (start) times and engagement (stop) times. Use the following guidelines in order to select the correct brake control components and connections.

- 1) Determine if the brake needs to be wired directly from the motor terminal block or powered by a separate power source.
  - If you are using a frequency inverter, soft-start or a two speed motor you will need to supply the rectifier from a separate power source.
  - If the motor is powered direct across-the-line the rectifier power can be supplied from the motor's terminal block.
- 2) What type of performance do I need?
  - Is the standard brake performance OK?
  - Is a higher performance required for fast brake release or very fast brake stopping?
- 3) Determine the brake supply voltage and check the rectifier compatibility using the table on page 10?

## Selection Suggestions

### When Fast Stopping is Recommended

Any applications that require quick stops and positive action at stand-still

### Recommended Applications

- conveyors and inclined conveyors
- hoists and lifts
- bulk material handling equipment (bucket elevators, idler conveyor's).



### WARNING

- **Hoisting (lifting/lowering) applications** - must have the brake wired for fast response.

### When Fast-Release is Recommended (Overexcitation)

Fast Release is recommended in any application that is very high-cycling with frequent starts and stops. These applications require the brake to release very-quickly in order to avoid excessive heat build-up in the AC motor and brake coil.

### Recommended Applications

- Index conveyors
- Diverters
- Storage and retrieval crane systems

Power Source	Brake Release (start)	Brake engagement (stop)	Braking Method *	Rectifier
<b>Motor Terminal Block</b>	Standard	Standard (AC switching)	10	GVE/GHE/GUE
	Standard	Fast (DC switching)	15	GVE/GHE/GUE
	ⓘ Fast (Overexcitation)	Standard (AC switching)	30	PMG 500
	ⓘ Fast (Overexcitation)	Fast (DC switching)	35	PMG 500
<b>Separate Power Source</b>	Standard	Standard (AC switching)	20	GVE/GHE/GUE
	Standard	Fast (DC switching)	25	GVE/GHE/GUE
	ⓘ Fast (Overexcitation)	Standard (AC switching)	45	PMG 500
	ⓘ Fast (Overexcitation)	Fast (DC switching)	50	PMG 500

\* Braking methods referenced in connection diagrams on pages 11-15.

ⓘ Please see important note below:

### NOTICE

The PMG500 rectifier is required when utilizing the larger 800 Nm (590 lb-ft) - and 1200 Nm (885 lb-ft) twin-rotor brakes. In order to prevent rapid wear, NORD recommends using the PMG500 rectifier to "overexcite" the brake during its release. The brake coil should be sized utilizing the PMG rectifier like a half-wave rectifier.



# MOTOR BRAKES INSTALLATION & MAINTENANCE



DRIVESYSTEMS

RETAIN FOR FUTURE USE

U35000 - 12 of 20

The table below determines the rectifier and DC brake voltage required, based on the AC supply voltage & braking method.

Rectifier Supply Voltage (VAC)	Brake Coil Voltage (VDC)	Braking Method	Rectifier Type	Rectifier P/N	BRE 5	BRE 10	BRE 20	BRE 40	BRE 60	BRE 100	BRE 150	BRE 250	BRE 400	BRE 800	BRE 1200	
115	105	20	GVE20L	19141000	X	X	X	X	X	X	X					
	105	25	GVE20L	19141000	X	X	X	X	X	X	X					
208	180	10	GVE20L	19141000	X	X	X	X	X	X	X	X	X			
	180	15	GVE20L	19141000	X	X	X	X	X	X	X	X	X			
	180	20	GVE20L	19141000	X	X	X	X	X	X	X	X	X			
	180	25	GVE20L	19141000	X	X	X	X	X	X	X	X	X			
	105	30	PMG500	19140200											X	X
	105	35	PMG500	19140200											X	X
	105	45	PMG500	19140200											X	X
230 or 208-230	105	10	GHE40L	19141010	X	X	X	X	X	X	X					
	205	10	GVE20L	19141000	X	X	X	X	X	X	X	X	X			
	205	10	GUE40V	19140300	X	X	X	X	X	X	X					
	105	15	GHE40L	19141010	X	X	X	X	X	X	X					
	205	15	GVE20L	19141000	X	X	X	X	X	X	X	X	X			
	205	15	GUE40V	19140300	X	X	X	X	X	X	X					
	105	20	GHE40L	19141010	X	X	X	X	X	X	X					
	205	20	GUE40V	19140300	X	X	X	X	X	X	X	X	X			
	205	20	GVE20L	19141000	X	X	X	X	X	X	X					
	105	25	GHE40L	19141010	X	X	X	X	X	X	X					
	205	25	GUE40V	19140300	X	X	X	X	X	X	X	X	X			
	205	25	GVE20L	19141000	X	X	X	X	X	X	X					
	105	30	PMG500	19140200											X	X
	105	35	PMG500	19140200											X	X
	332	180	30	PMG500	19140200											X
180		35	PMG500	19140200											X	X
400	180	10	GHE40L	19141010	X	X	X	X	X	X	X					
	180	10	GUE40V	19140300	X	X	X	X	X	X	X					
	180	15	GHE40L	19141010	X	X	X	X	X	X	X					
	180	15	GUE40V	19140300	X	X	X	X	X	X	X					
	180	20	GHE40L	19141010	X	X	X	X	X	X	X					
	180	20	GUE40V	19140300	X	X	X	X	X	X	X					
	180	25	GHE40L	19141010	X	X	X	X	X	X	X					
	180	25	GUE40V	19140300	X	X	X	X	X	X	X					
	180	30	PMG500	19140200											X	X
	180	35	PMG500	19140200											X	X
460	205	10	GHE40L	19141010	X	X	X	X	X	X	X	X	X			
	205	10	GUE40V	19140300	X	X	X	X	X	X	X					
	205	15	GHE40L	19141010	X	X	X	X	X	X	X	X	X			
	205	15	GUE40V	19140300	X	X	X	X	X	X	X					
	205	20	GHE40L	19141010	X	X	X	X	X	X	X	X	X			
	205	20	GUE40V	19140300	X	X	X	X	X	X	X					
	205	25	GHE40L	19141010	X	X	X	X	X	X	X	X	X			
	205	25	GUE40V	19140300	X	X	X	X	X	X	X					
	205	30	PMG500	19140200											X	X
	205	35	PMG500	19140200											X	X
575	250	10	GHE50L	19141020	X	X	X	X	X	X	X	X	X			
	250	15	GHE50L	19141020	X	X	X	X	X	X	X	X	X			
	250	20	GHE50L	19141020	X	X	X	X	X	X	X	X	X			
	250	25	GHE50L	19141020	X	X	X	X	X	X	X	X	X			

Specify Rectifier Model Type \_\_\_\_\_ And DC Brake Voltage \_\_\_\_\_

## Typical Connection Diagrams

Diagram ID	Power Source	Stopping Method	Braking Method	Motor	Rectifier	V <sub>motor</sub>	V <sub>B-AC</sub>	V <sub>B-DC</sub>
BR101A	POWERED FROM MOTOR TERMINAL BLOCK	STANDARD RELEASE	10	208-230r/460y	GVE20	208 VAC	230 VAC	205 VDC
BR101B	POWERED FROM MOTOR TERMINAL BLOCK	STANDARD RELEASE	10	230ry/460y	GVE20	460 VAC	230 VAC	205 VDC
BR101C	POWERED FROM MOTOR TERMINAL BLOCK	STANDARD RELEASE	10	230ry/460y	GHE40	460 VAC	460 VAC	205 VDC
BR601A	POWERED FROM MOTOR TERMINAL BLOCK	STANDARD RELEASE	10	208Δ/360y	GVE20	208 VAC	208 VAC	180 VDC
				230Δ/400y	GVE20	230 VAC	230 VAC	205 VDC
				400Δ/690y	GHE40	400 VAC	400 VAC	180 VDC
				460Δ/y	GHE40	460 VAC	460 VAC	205 VDC
BR601B	POWERED FROM MOTOR TERMINAL BLOCK	STANDARD RELEASE	10	230Δ/400y	GVE20	400 VAC	230 VAC	205 VDC
BR601C	POWERED FROM MOTOR TERMINAL BLOCK	STANDARD RELEASE	10	230Δ/400y	GHE50	400 VAC	400 VAC	180 VDC
				332Δ/575y	GHE50	575 VAC	575 VAC	250 VDC
BR603A	POWERED FROM MOTOR TERMINAL BLOCK	STANDARD RELEASE	15	208Δ/360y	GVE20	208 VAC	208 VAC	180 VDC
				230Δ/400y	GVE20	230 VAC	230 VAC	205 VDC
				400Δ/690y	GHE40	400 VAC	400 VAC	180 VDC
				460Δ/y	GHE40	460 VAC	460 VAC	205 VDC
BR603B	POWERED FROM MOTOR TERMINAL BLOCK	STANDARD RELEASE	15	230Δ/400y	GVE20	400 VAC	230 VAC	205 VDC
BR603C	POWERED FROM MOTOR TERMINAL BLOCK	STANDARD RELEASE	15	230Δ/400y	GHE40	400 VAC	400 VAC	180 VDC
				332Δ/575y	GHE50	575 VAC	575 VAC	250 VDC
BR103A	POWERED FROM MOTOR TERMINAL BLOCK	STANDARD RELEASE	15	208-230r/460y	GVE20	208 VAC	230 VAC	205 VDC
				230ry/460y	GVE20	230 VAC	230 VAC	205 VDC
				230ry/460y	GHE40	230 VAC	230 VAC	105 VDC
BR103B	POWERED FROM MOTOR TERMINAL BLOCK	STANDARD RELEASE	15	230ry/460y	GVE20	460 VAC	230 VAC	205 VDC
BR103C	POWERED FROM MOTOR TERMINAL BLOCK	STANDARD RELEASE	15	230ry/460y	GHE40	460 VAC	460 VAC	205 VDC

\* The normally open contact/s (NO) is not supplied by NORD. It must close at the same time power is supplied to the brake. The contact must be capable of switching inductive loads and/or be rated IEC AC3.

= Braking Method





# MOTOR BRAKES INSTALLATION & MAINTENANCE



DRIVESYSTEMS

RETAIN FOR FUTURE USE

U35000 - 14 of 20

## Typical Connection Diagrams

BR102A		BR102B		BR602A		BR602B			
SEPERATE POWER SOURCE STANDARD RELEASE NORMAL STOPPING (AC-SWITCHING)		SEPERATE POWER SOURCE STANDARD RELEASE NORMAL STOPPING (AC-SWITCHING)		SEPERATE POWER SOURCE STANDARD RELEASE NORMAL STOPPING (AC-SWITCHING)		SEPERATE POWER SOURCE STANDARD RELEASE NORMAL STOPPING (AC-SWITCHING)			
MOTOR	RECTIFIER	V <sub>motor</sub>	V <sub>B-AC</sub>	V <sub>B-DC</sub>	MOTOR	RECTIFIER	V <sub>motor</sub>	V <sub>B-AC</sub>	V <sub>B-DC</sub>
208-230r/460y	GVE20	208 VAC	230 VAC	205 VDC	230r/460y	GVE20	460 VAC	115 VAC	105 VDC
230r/460y	GVE20	230 VAC	115 VAC	105 VDC	230r/460y	GVE20	460 VAC	230 VAC	205 VDC
230r/460y	GVE20	230 VAC	230 VAC	205 VDC	230r/460y	GHE40	460 VAC	460 VAC	205 VDC
230r/460y	GHE40	230 VAC	230 VAC	105 VDC					
BR104A		BR104B		BR604A		BR604B			
SEPERATE POWER SOURCE STANDARD RELEASE FAST STOPPING (DC-SWITCHING)		SEPERATE POWER SOURCE STANDARD RELEASE FAST STOPPING (DC-SWITCHING)		SEPERATE POWER SOURCE STANDARD RELEASE FAST STOPPING (DC-SWITCHING)		SEPERATE POWER SOURCE STANDARD RELEASE FAST STOPPING (DC-SWITCHING)			
MOTOR	RECTIFIER	V <sub>motor</sub>	V <sub>B-AC</sub>	V <sub>B-DC</sub>	MOTOR	RECTIFIER	V <sub>motor</sub>	V <sub>B-AC</sub>	V <sub>B-DC</sub>
208-230r/460y	GVE20	208 VAC	230 VAC	205 VDC	230r/460y	GVE20	460 VAC	115 VAC	105 VDC
230r/460y	GVE20	230 VAC	115 VAC	105 VDC	230r/460y	GVE20	460 VAC	230 VAC	205 VDC
230r/460y	GVE20	230 VAC	230 VAC	205 VDC	230r/460y	GHE40	460 VAC	460 VAC	205 VDC
230r/460y	GHE40	230 VAC	230 VAC	105 VDC					
BR604A		BR604B		BR604A		BR604B			
MOTOR	RECTIFIER	V <sub>motor</sub>	V <sub>B-AC</sub>	V <sub>B-DC</sub>	MOTOR	RECTIFIER	V <sub>motor</sub>	V <sub>B-AC</sub>	V <sub>B-DC</sub>
208Δ/360y	GVE20	208 VAC	208 VAC	105 VDC	230Δ/400y	GHE20	400VAC	230 VAC	105 VDC
230Δ/400y	GHE20	230 VAC	230 VAC	105 VDC	230Δ/400y	GHE20	400VAC	230 VAC	105 VDC
400Δ/690y	GHE40	400 VAC	400 VAC	180 VDC	400Δ/690y	GHE40	400 VAC	400 VAC	180 VDC
460Δ/y	GHE40	460 VAC	460 VAC	205 VDC	460Δ/y	GHE40	460 VAC	460 VAC	205 VDC
230Δ/400y	GHE40	400VAC	230 VAC	105 VDC	332Δ/575y	GHE50	575 VAC	575 VAC	250 VDC

\* The normally open contact/s (NO) is not supplied by NORD. It must close at the same time power is supplied to the brake. The contact must be capable of switching inductive loads and/or be rated IEC AC3.

= Braking Method

# MOTOR BRAKES INSTALLATION & MAINTENANCE



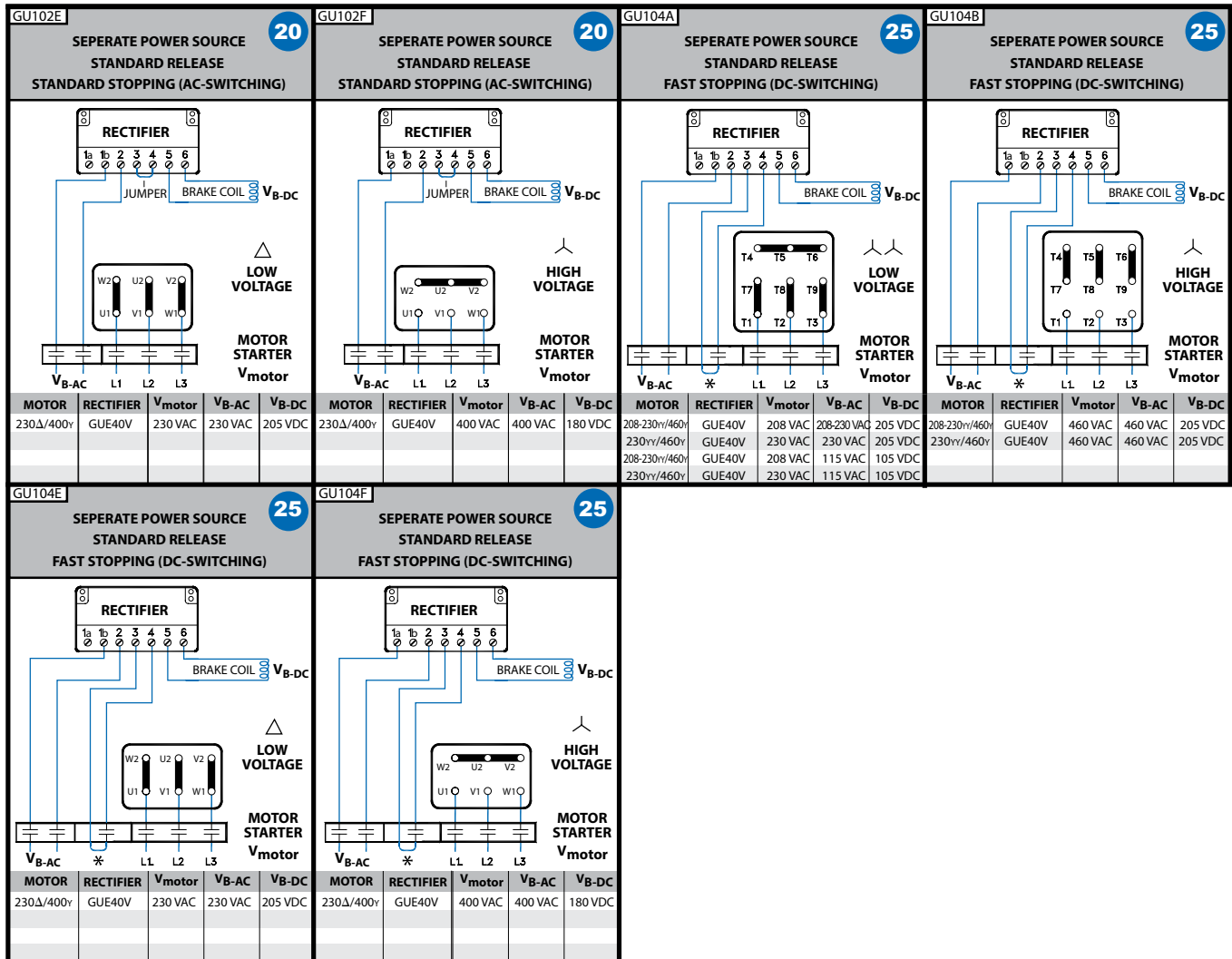
## Typical Connection Diagrams

<p><b>GU101A</b> POWERED FROM MOTOR TERMINAL BLOCK STANDARD RELEASE STANDARD STOPPING (AC-SWITCHING) <b>10</b></p> <table border="1"> <thead> <tr> <th>MOTOR</th> <th>RECTIFIER</th> <th>V<sub>motor</sub></th> <th>V<sub>B-AC</sub></th> <th>V<sub>B-DC</sub></th> </tr> </thead> <tbody> <tr> <td>208-230V/460V 230Vr/460V</td> <td>GUE40V GUE40V</td> <td>208 VAC 230 VAC</td> <td>208-230 VAC 230 VAC</td> <td>205 VDC 205 VDC</td> </tr> </tbody> </table>	MOTOR	RECTIFIER	V <sub>motor</sub>	V <sub>B-AC</sub>	V <sub>B-DC</sub>	208-230V/460V 230Vr/460V	GUE40V GUE40V	208 VAC 230 VAC	208-230 VAC 230 VAC	205 VDC 205 VDC	<p><b>GU101B</b> POWERED FROM MOTOR TERMINAL BLOCK STANDARD RELEASE STANDARD STOPPING (AC-SWITCHING) <b>10</b></p> <table border="1"> <thead> <tr> <th>MOTOR</th> <th>RECTIFIER</th> <th>V<sub>motor</sub></th> <th>V<sub>B-AC</sub></th> <th>V<sub>B-DC</sub></th> </tr> </thead> <tbody> <tr> <td>208-230V/460V 230Vr/460V</td> <td>GUE40V GUE40V</td> <td>460 VAC 460 VAC</td> <td>460 VAC 460 VAC</td> <td>205 VDC 205 VDC</td> </tr> </tbody> </table>	MOTOR	RECTIFIER	V <sub>motor</sub>	V <sub>B-AC</sub>	V <sub>B-DC</sub>	208-230V/460V 230Vr/460V	GUE40V GUE40V	460 VAC 460 VAC	460 VAC 460 VAC	205 VDC 205 VDC	<p><b>GU101D</b> POWERED FROM MOTOR TERMINAL BLOCK STANDARD RELEASE STANDARD STOPPING (AC-SWITCHING) <b>10</b></p> <table border="1"> <thead> <tr> <th>MOTOR</th> <th>RECTIFIER</th> <th>V<sub>motor</sub></th> <th>V<sub>B-AC</sub></th> <th>V<sub>B-DC</sub></th> </tr> </thead> <tbody> <tr> <td>230V/460V</td> <td>GUE40V</td> <td>460 VAC</td> <td>230 VAC</td> <td>205 VDC</td> </tr> </tbody> </table>	MOTOR	RECTIFIER	V <sub>motor</sub>	V <sub>B-AC</sub>	V <sub>B-DC</sub>	230V/460V	GUE40V	460 VAC	230 VAC	205 VDC	<p><b>GU101E</b> POWERED FROM MOTOR TERMINAL BLOCK STANDARD RELEASE NORMAL STOPPING (AC-SWITCHING) <b>10</b></p> <table border="1"> <thead> <tr> <th>MOTOR</th> <th>RECTIFIER</th> <th>V<sub>motor</sub></th> <th>V<sub>B-AC</sub></th> <th>V<sub>B-DC</sub></th> </tr> </thead> <tbody> <tr> <td>230Δ/400V</td> <td>GUE40V</td> <td>230 VAC</td> <td>230 VAC</td> <td>205 VDC</td> </tr> </tbody> </table>	MOTOR	RECTIFIER	V <sub>motor</sub>	V <sub>B-AC</sub>	V <sub>B-DC</sub>	230Δ/400V	GUE40V	230 VAC	230 VAC	205 VDC					
MOTOR	RECTIFIER	V <sub>motor</sub>	V <sub>B-AC</sub>	V <sub>B-DC</sub>																																												
208-230V/460V 230Vr/460V	GUE40V GUE40V	208 VAC 230 VAC	208-230 VAC 230 VAC	205 VDC 205 VDC																																												
MOTOR	RECTIFIER	V <sub>motor</sub>	V <sub>B-AC</sub>	V <sub>B-DC</sub>																																												
208-230V/460V 230Vr/460V	GUE40V GUE40V	460 VAC 460 VAC	460 VAC 460 VAC	205 VDC 205 VDC																																												
MOTOR	RECTIFIER	V <sub>motor</sub>	V <sub>B-AC</sub>	V <sub>B-DC</sub>																																												
230V/460V	GUE40V	460 VAC	230 VAC	205 VDC																																												
MOTOR	RECTIFIER	V <sub>motor</sub>	V <sub>B-AC</sub>	V <sub>B-DC</sub>																																												
230Δ/400V	GUE40V	230 VAC	230 VAC	205 VDC																																												
<p><b>GU101F</b> POWERED FROM MOTOR TERMINAL BLOCK STANDARD RELEASE NORMAL STOPPING (AC-SWITCHING) <b>10</b></p> <table border="1"> <thead> <tr> <th>MOTOR</th> <th>RECTIFIER</th> <th>V<sub>motor</sub></th> <th>V<sub>B-AC</sub></th> <th>V<sub>B-DC</sub></th> </tr> </thead> <tbody> <tr> <td>230Δ/400V</td> <td>GUE40V</td> <td>400 VAC</td> <td>400 VAC</td> <td>180 VDC</td> </tr> </tbody> </table>	MOTOR	RECTIFIER	V <sub>motor</sub>	V <sub>B-AC</sub>	V <sub>B-DC</sub>	230Δ/400V	GUE40V	400 VAC	400 VAC	180 VDC	<p><b>GU103A</b> POWERED FROM MOTOR TERMINAL BLOCK STANDARD RELEASE FAST STOPPING (DC-SWITCHING) <b>15</b></p> <table border="1"> <thead> <tr> <th>MOTOR</th> <th>RECTIFIER</th> <th>V<sub>motor</sub></th> <th>V<sub>B-AC</sub></th> <th>V<sub>B-DC</sub></th> </tr> </thead> <tbody> <tr> <td>208-230V/460V 230Vr/460V</td> <td>GUE40V GUE40V</td> <td>208 VAC 230 VAC</td> <td>208-230 VAC 230 VAC</td> <td>205 VDC 205 VDC</td> </tr> </tbody> </table>	MOTOR	RECTIFIER	V <sub>motor</sub>	V <sub>B-AC</sub>	V <sub>B-DC</sub>	208-230V/460V 230Vr/460V	GUE40V GUE40V	208 VAC 230 VAC	208-230 VAC 230 VAC	205 VDC 205 VDC	<p><b>GU103B</b> POWERED FROM MOTOR TERMINAL BLOCK STANDARD RELEASE FAST STOPPING (DC-SWITCHING) <b>15</b></p> <table border="1"> <thead> <tr> <th>MOTOR</th> <th>RECTIFIER</th> <th>V<sub>motor</sub></th> <th>V<sub>B-AC</sub></th> <th>V<sub>B-DC</sub></th> </tr> </thead> <tbody> <tr> <td>208-230V/460V 230Vr/460V</td> <td>GUE40V GUE40V</td> <td>460 VAC 460 VAC</td> <td>460 VAC 460 VAC</td> <td>205 VDC 205 VDC</td> </tr> </tbody> </table>	MOTOR	RECTIFIER	V <sub>motor</sub>	V <sub>B-AC</sub>	V <sub>B-DC</sub>	208-230V/460V 230Vr/460V	GUE40V GUE40V	460 VAC 460 VAC	460 VAC 460 VAC	205 VDC 205 VDC	<p><b>GU103D</b> POWERED FROM MOTOR TERMINAL BLOCK STANDARD RELEASE FAST STOPPING (DC-SWITCHING) <b>15</b></p> <table border="1"> <thead> <tr> <th>MOTOR</th> <th>RECTIFIER</th> <th>V<sub>motor</sub></th> <th>V<sub>B-AC</sub></th> <th>V<sub>B-DC</sub></th> </tr> </thead> <tbody> <tr> <td>230Vr/460V</td> <td>GUE40V</td> <td>460 VAC</td> <td>230 VAC</td> <td>205 VDC</td> </tr> </tbody> </table>	MOTOR	RECTIFIER	V <sub>motor</sub>	V <sub>B-AC</sub>	V <sub>B-DC</sub>	230Vr/460V	GUE40V	460 VAC	230 VAC	205 VDC					
MOTOR	RECTIFIER	V <sub>motor</sub>	V <sub>B-AC</sub>	V <sub>B-DC</sub>																																												
230Δ/400V	GUE40V	400 VAC	400 VAC	180 VDC																																												
MOTOR	RECTIFIER	V <sub>motor</sub>	V <sub>B-AC</sub>	V <sub>B-DC</sub>																																												
208-230V/460V 230Vr/460V	GUE40V GUE40V	208 VAC 230 VAC	208-230 VAC 230 VAC	205 VDC 205 VDC																																												
MOTOR	RECTIFIER	V <sub>motor</sub>	V <sub>B-AC</sub>	V <sub>B-DC</sub>																																												
208-230V/460V 230Vr/460V	GUE40V GUE40V	460 VAC 460 VAC	460 VAC 460 VAC	205 VDC 205 VDC																																												
MOTOR	RECTIFIER	V <sub>motor</sub>	V <sub>B-AC</sub>	V <sub>B-DC</sub>																																												
230Vr/460V	GUE40V	460 VAC	230 VAC	205 VDC																																												
<p><b>GU103E</b> POWERED FROM MOTOR TERMINAL BLOCK STANDARD RELEASE FAST STOPPING (DC-SWITCHING) <b>15</b></p> <table border="1"> <thead> <tr> <th>MOTOR</th> <th>RECTIFIER</th> <th>V<sub>motor</sub></th> <th>V<sub>B-AC</sub></th> <th>V<sub>B-DC</sub></th> </tr> </thead> <tbody> <tr> <td>230Δ/400V</td> <td>GUE40V</td> <td>230 VAC</td> <td>230 VAC</td> <td>205 VDC</td> </tr> </tbody> </table>	MOTOR	RECTIFIER	V <sub>motor</sub>	V <sub>B-AC</sub>	V <sub>B-DC</sub>	230Δ/400V	GUE40V	230 VAC	230 VAC	205 VDC	<p><b>GU103F</b> POWERED FROM MOTOR TERMINAL BLOCK STANDARD RELEASE FAST STOPPING (DC-SWITCHING) <b>15</b></p> <table border="1"> <thead> <tr> <th>MOTOR</th> <th>RECTIFIER</th> <th>V<sub>motor</sub></th> <th>V<sub>B-AC</sub></th> <th>V<sub>B-DC</sub></th> </tr> </thead> <tbody> <tr> <td>230Δ/400V</td> <td>GUE40V</td> <td>400 VAC</td> <td>400 VAC</td> <td>180 VDC</td> </tr> </tbody> </table>	MOTOR	RECTIFIER	V <sub>motor</sub>	V <sub>B-AC</sub>	V <sub>B-DC</sub>	230Δ/400V	GUE40V	400 VAC	400 VAC	180 VDC	<p><b>GU102A</b> SEPERATE POWER SOURCE STANDARD RELEASE STANDARD STOPPING (AC-SWITCHING) <b>20</b></p> <table border="1"> <thead> <tr> <th>MOTOR</th> <th>RECTIFIER</th> <th>V<sub>motor</sub></th> <th>V<sub>B-AC</sub></th> <th>V<sub>B-DC</sub></th> </tr> </thead> <tbody> <tr> <td>208-230V/460V 230Vr/460V</td> <td>GUE40V GUE40V</td> <td>208 VAC 230 VAC</td> <td>208-230 VAC 230 VAC</td> <td>205 VDC 205 VDC</td> </tr> <tr> <td>208-230V/460V 230Vr/460V</td> <td>GUE40V GUE40V</td> <td>208 VAC 230 VAC</td> <td>115 VAC 115 VAC</td> <td>105 VDC 105 VDC</td> </tr> </tbody> </table>	MOTOR	RECTIFIER	V <sub>motor</sub>	V <sub>B-AC</sub>	V <sub>B-DC</sub>	208-230V/460V 230Vr/460V	GUE40V GUE40V	208 VAC 230 VAC	208-230 VAC 230 VAC	205 VDC 205 VDC	208-230V/460V 230Vr/460V	GUE40V GUE40V	208 VAC 230 VAC	115 VAC 115 VAC	105 VDC 105 VDC	<p><b>GU102B</b> SEPERATE POWER SOURCE STANDARD RELEASE STANDARD STOPPING (AC-SWITCHING) <b>20</b></p> <table border="1"> <thead> <tr> <th>MOTOR</th> <th>RECTIFIER</th> <th>V<sub>motor</sub></th> <th>V<sub>B-AC</sub></th> <th>V<sub>B-DC</sub></th> </tr> </thead> <tbody> <tr> <td>208-230V/460V 230Vr/460V</td> <td>GUE40V GUE40V</td> <td>460 VAC 460 VAC</td> <td>460 VAC 460 VAC</td> <td>205 VDC 205 VDC</td> </tr> </tbody> </table>	MOTOR	RECTIFIER	V <sub>motor</sub>	V <sub>B-AC</sub>	V <sub>B-DC</sub>	208-230V/460V 230Vr/460V	GUE40V GUE40V	460 VAC 460 VAC	460 VAC 460 VAC	205 VDC 205 VDC
MOTOR	RECTIFIER	V <sub>motor</sub>	V <sub>B-AC</sub>	V <sub>B-DC</sub>																																												
230Δ/400V	GUE40V	230 VAC	230 VAC	205 VDC																																												
MOTOR	RECTIFIER	V <sub>motor</sub>	V <sub>B-AC</sub>	V <sub>B-DC</sub>																																												
230Δ/400V	GUE40V	400 VAC	400 VAC	180 VDC																																												
MOTOR	RECTIFIER	V <sub>motor</sub>	V <sub>B-AC</sub>	V <sub>B-DC</sub>																																												
208-230V/460V 230Vr/460V	GUE40V GUE40V	208 VAC 230 VAC	208-230 VAC 230 VAC	205 VDC 205 VDC																																												
208-230V/460V 230Vr/460V	GUE40V GUE40V	208 VAC 230 VAC	115 VAC 115 VAC	105 VDC 105 VDC																																												
MOTOR	RECTIFIER	V <sub>motor</sub>	V <sub>B-AC</sub>	V <sub>B-DC</sub>																																												
208-230V/460V 230Vr/460V	GUE40V GUE40V	460 VAC 460 VAC	460 VAC 460 VAC	205 VDC 205 VDC																																												

\* The normally open contact/s (NO) is not supplied by NORD. It must close at the same time power is supplied to the brake. The contact must be capable of switching inductive loads and/or be rated IEC AC3.

= Braking Method

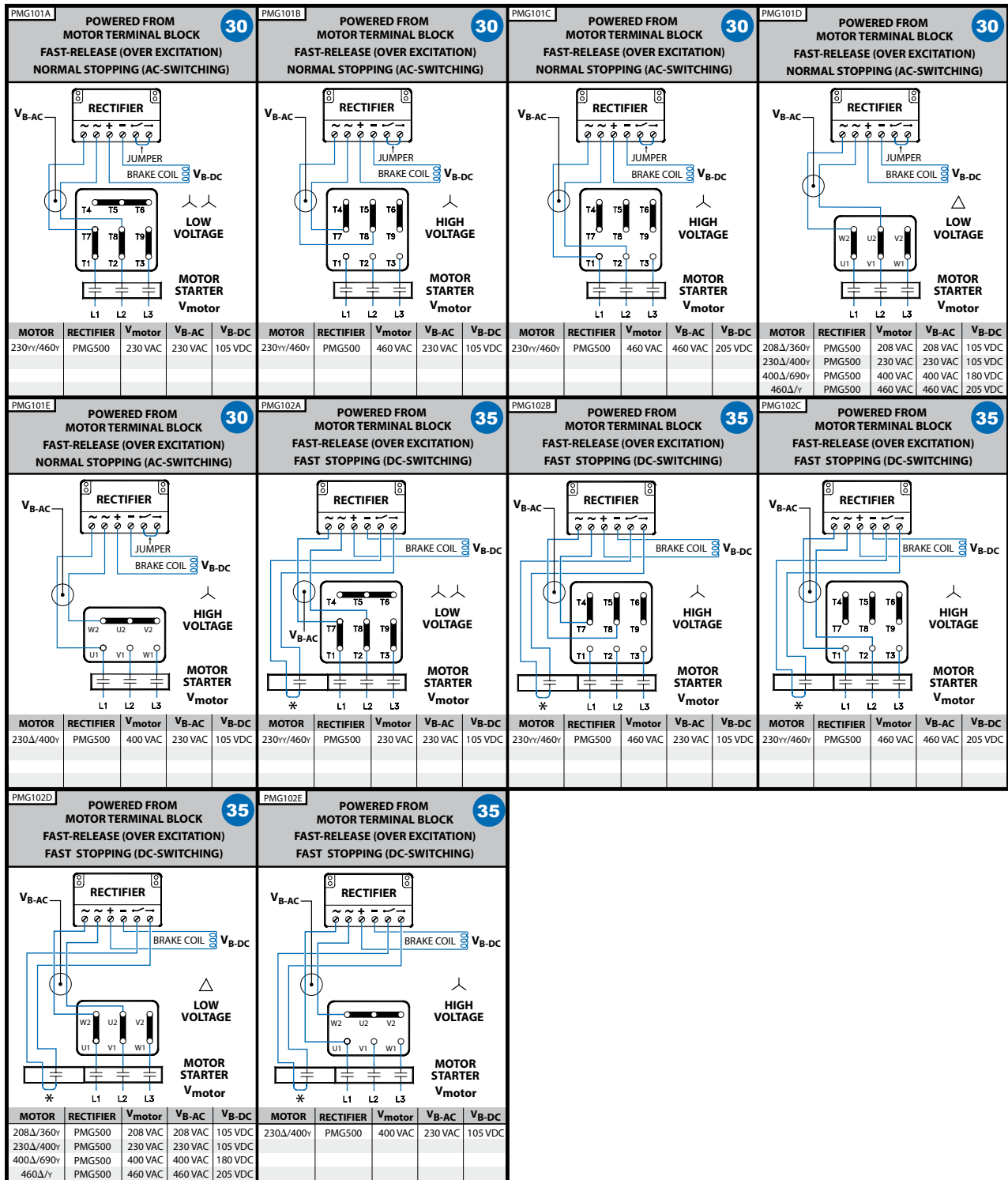
## Typical Connection Diagrams



\* The normally open contact/s (NO) is not supplied by NORD. It must close at the same time power is supplied to the brake. The contact must be capable of switching inductive loads and/or be rated IEC AC3.

 = Braking Method

## Typical Connection Diagrams



\* The normally open contact/s (NO) is not supplied by NORD. It must close at the same time power is supplied to the brake. The contact must be capable of switching inductive loads and/or be rated IEC AC3.

= Braking Method

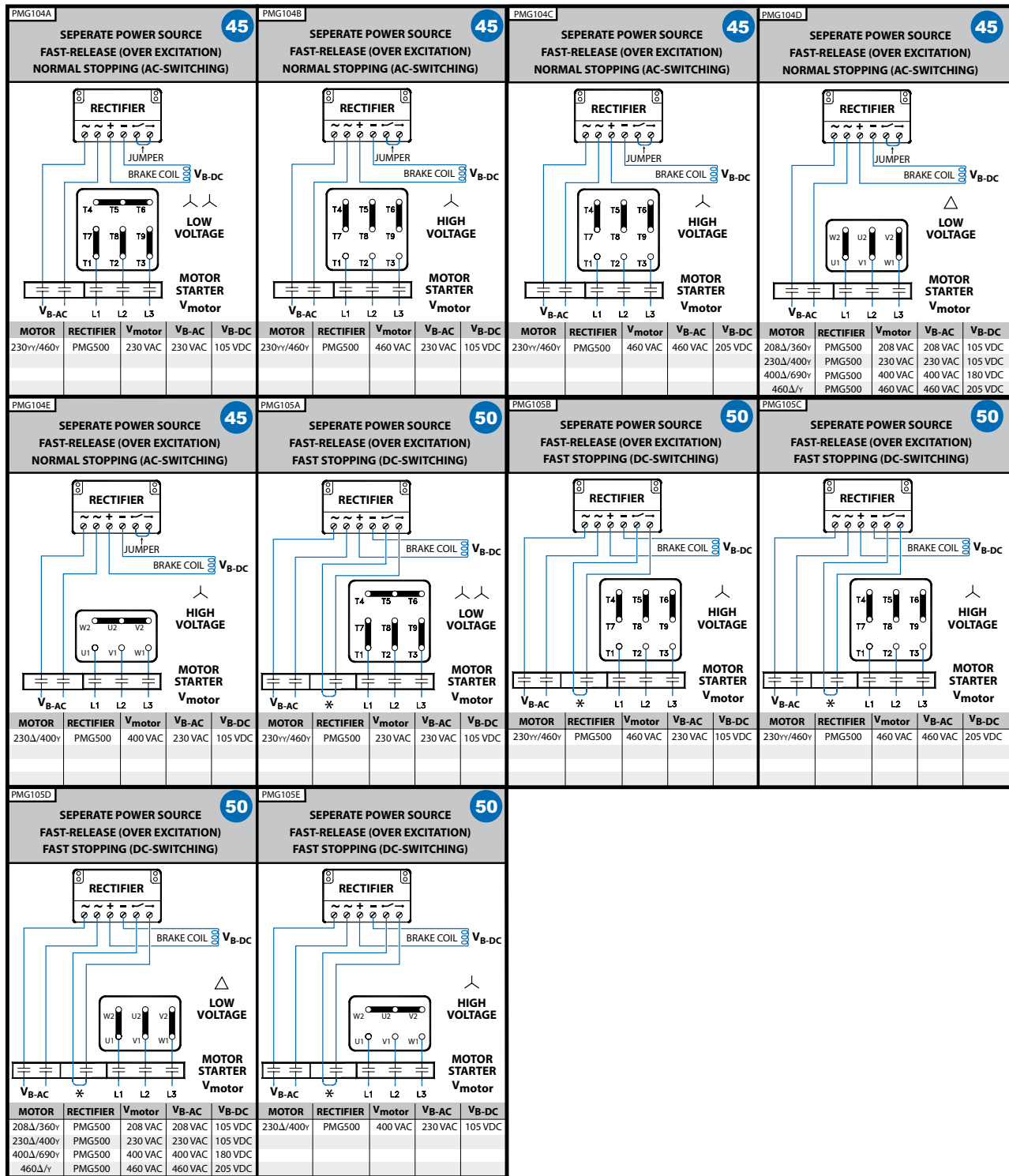
# MOTOR BRAKES INSTALLATION & MAINTENANCE



RETAIN FOR FUTURE USE

U35000 - 18 of 20

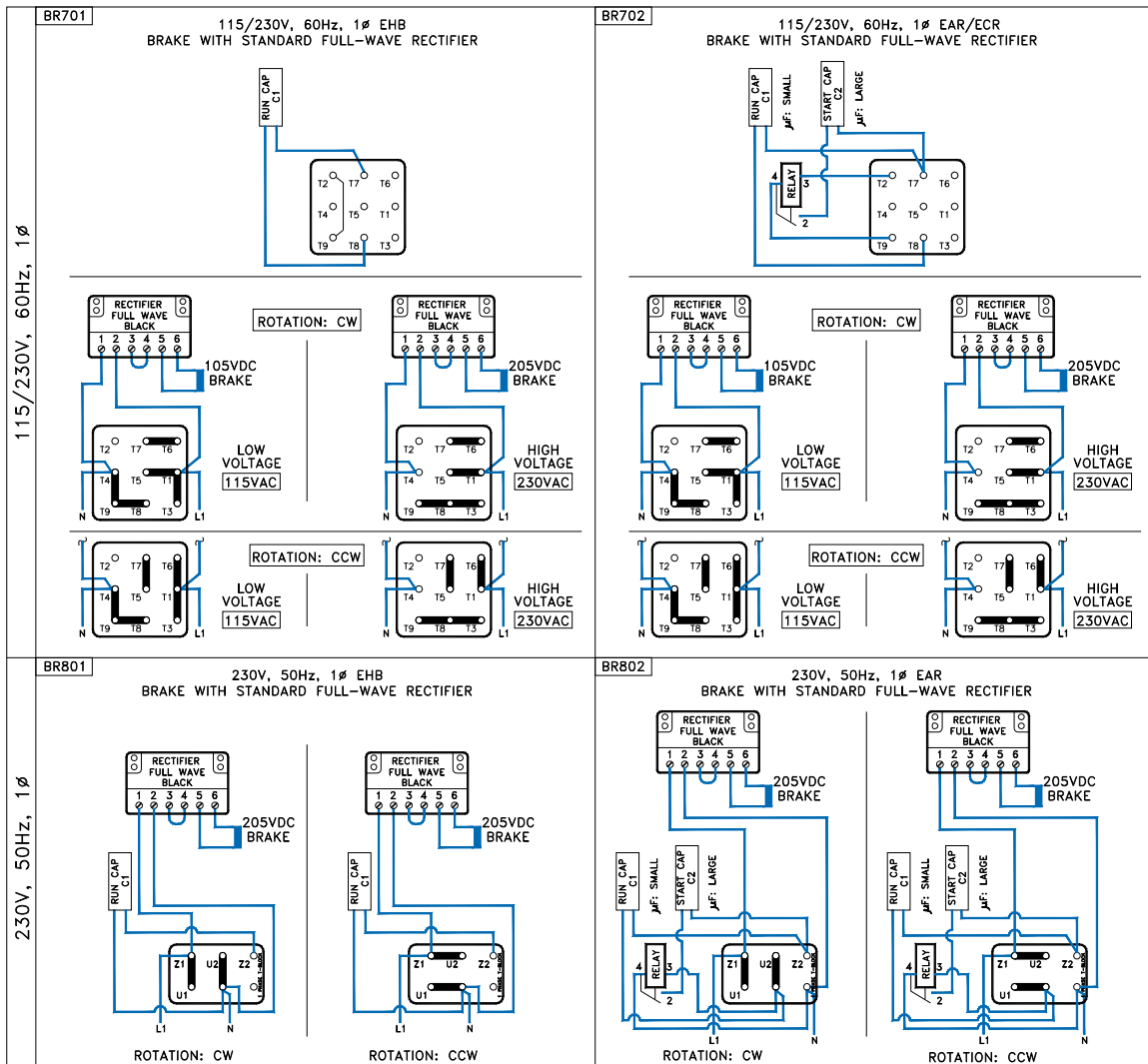
## Typical Connection Diagrams



\* The normally open contact/s (NO) is not supplied by NORD. It must close at the same time power is supplied to the brake. The contact must be capable of switching inductive loads and/or be rated IEC AC3.

= Braking Method

## Typical Connection Diagrams - Single Phase Motors





# MOTOR BRAKES INSTALLATION & MAINTENANCE



RETAIN FOR FUTURE USE

U35000 - 20 of 20

## Troubleshooting Information

Troubleshooting	Cause	Remedy
Brake doesn't release	Air gap too large	Check air gap and adjust
	Brake not receiving electrical power	Check electrical connection
	Failed rectifier	Replace rectifier
	Brake is getting too warm	Use fast response (FR) rectifier
	Voltage to brake coil too small	Check connection voltage of brake coil
	Rectifier supply voltage from inverter	Rectifier voltage must be from separate source. (Inverter output voltage varies)
Brake release is delayed	Air gap too large	Check air gap and adjust
	Voltage to brake coil too small	Check connection voltage of brake coil
Brake does not engage	Voltage to coil too large	Check connection voltages of brake windings
	Hand release is adjusted incorrectly	Adjust to correct air gap
	Anchor plate mechanically blocked	Remove mechanical blockage
Brake engagement is delayed	Voltage to coil too large	Check connection voltage of brake windings
	Brake is switched to AC side	Use DC switching



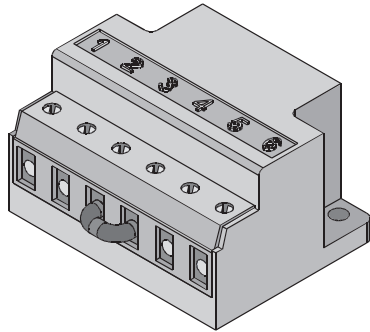
# FAST ACTING BRAKE RECTIFIERS (GPE, GPU & PMG)



DRIVESYSTEMS

RETAIN FOR FUTURE USE

U35100 - 1 of 11



## General Instructions

This manual provides general operating instructions for the "Fast Acting Brake Rectifiers type "GPE, GPU, and PMG" that are commonly offered by NORD in addition to the standard brake control rectifiers. Please feel free to contact NORD with any questions concerning the supplied brake rectifiers and brake components.

## Safety Notice

Only qualified personnel should attempt installation, operation and maintenance of NORD brakes and brake rectifiers. If you have a question about a procedure or are uncertain about any detail, seek clarification and DO NOT PROCEED.



### DANGER

- This equipment contains high electrical voltage. Remove and lockout all power from the electric motor and brake before any work is completed on the brake.
- The user is responsible for conforming to all national and local electrical and safety codes. Wiring practices, proper grounding, disconnects, and over current protection, are of particular importance.
- Make certain the load is supported when servicing the brake. Removing power from the brake or removing the brake from the motor will release the load, which may cause severe injury or death.
- Failure to follow proper procedures and precautions may result in severe bodily injury or death.

## Brake Control Rectifiers

NORD brake control rectifiers convert AC voltage to DC voltage. Rectifiers are used because most applications require AC voltage to power the motor, but DC power is required to power the brake and DC power is not typically available. NORD brakemotors typically include the rectifier located inside the terminal box.

## Rectifier Advantages

- Individual power source for each brake.
- Compact size, mounted inside the terminal box.
- Multiple types, voltage options and release/engagement modes available.
- Mountable in a separate control cabinet.
- Integral protection against voltage spikes.

## NORD Gear Limited

Toll Free in Canada: 800.668.4378

## Standard Rectifier Types

### Full-Wave Rectifier

A rectifier in which both the positive and negative half-cycles of the AC input signal are rectified to produce a uni-directional DC current supply to the load or the brake. The output voltage is 90% of the input voltage ( $V_{DC} = 0.90 \times V_{AC}$ ).

### Half-Wave Rectifier

A rectifier in which only alternate half-cycles of the AC input signal are rectified to produce a uni-directional DC current supply to the load or the brake. The output voltage is 45% of the input voltage ( $V_{DC} = 0.45 \times V_{AC}$ ).

### Dual-Wave Rectifier

A rectifier that can be wired as either a full-wave rectifier or a half-wave rectifier depending upon how it is connected to the AC input signal.



### IMPORTANT NOTE

This manual provides general operating instructions for NORD brakes with Fast-Acting brake Rectifiers. For additional brake and brake rectifier information please reference User Manual U35000.

## Fast-Acting or Push-Hybrid Rectifiers [GPE, GPU & PMG]

A push-hybrid rectifier or fast-acting brake rectifier provides an initial "push" in the form of a timed full-wave brake-release function, which is then followed by a continuous half-wave brake-holding function. There are two ways to apply these rectifiers as follows:

- "Overexcitation" of the brake coil provides faster brake release or improved cycling capacity. The DC voltage of the brake coil is determined based upon using a half-wave rectifier. The output voltage is 45% of the input voltage ( $V_{DC} = 0.45 \times V_{AC}$ ).
- "Reducer-Power Holding" of the brake coil maintains the brake in a released state by using only 25% of the power needed for the initial brake release. This results in very fast brake stopping. The DC voltage of the brake coil is determined based upon using a full-wave rectifier. The output voltage is 90% of the input voltage. ( $V_{DC} = 0.90 \times V_{AC}$ ).

### NOTICE

In order to prevent rapid wear, the PMG 500 rectifier is required when utilizing the larger 800 Nm (590 lb-ft) and 1200 Nm (885 lb-ft) twin-rotor brakes. The PMG500 rectifier is wired to "overexcite" the brake during its initial release.



# FAST ACTING BRAKE RECTIFIERS (GPE, GPU & PMG)



DRIVESYSTEMS

RETAIN FOR FUTURE USE

U35100 - 2 of 11

## Push-Hybrid Rectifiers External DC Switching (GPE)

Like the standard NORD brake control rectifiers, NORD's fast acting brake control rectifiers convert AC voltage to DC voltage. The "Fast Acting Brake Rectifiers" are utilized to improve brake performance and are often recommended in order to provide shorter brake release times or to provide faster stopping times.

The fast acting rectifiers are a two-stage "push" design. When power is first applied these rectifiers operate like a full-wave rectifier and then after a relatively short period of time they act like a half-wave rectifier. The GPE type rectifiers start out in full-wave mode when power is first applied and then after approximately 250 ms they switch to half-wave mode.

GPE rectifiers were designed for external control of the brake's DC-switching. GPE rectifiers are primarily used in across-the-line applications where the brake power is supplied by the motor terminals but they may also be used in situations where the brake power is supplied separately to the brake rectifier.

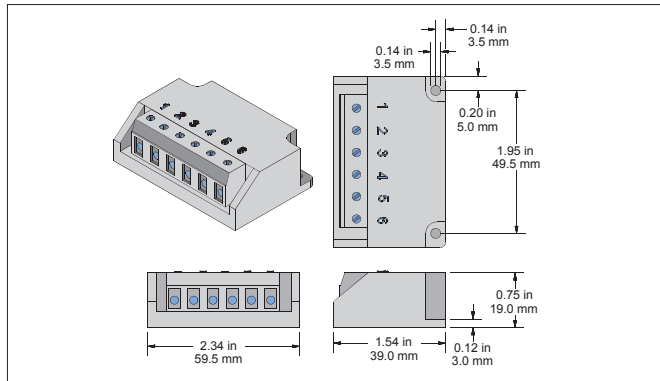
There are two ways to apply the fast acting rectifiers:

- The first method, known as "Overexcitation," provides fast brake release. The brake coil is selected like a half-wave system (45% of the AC supply voltage).
- The second method, known as "Reduced Power Holding," provides very fast brake stopping. The brake coil is selected like a full-wave system (90% of the AC supply voltage).

**IMPORTANT NOTE**

If the motor is connected to a frequency inverter, soft start, or is a two-speed motor, then separate AC power must be supplied to the brake rectifier.

## GPE Rectifier Dimensions



## Ratings & Part Numbers

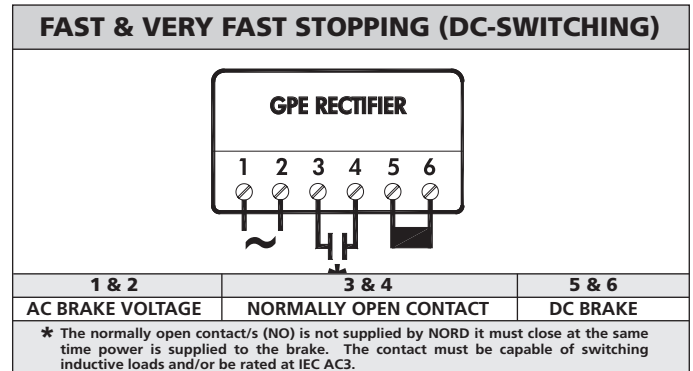
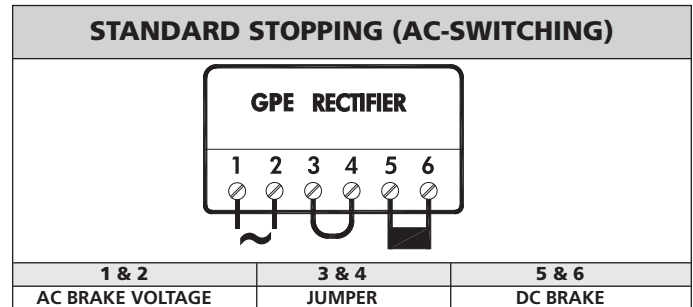
Model Type	GPE20L	GPE40L
Part Number	19140230	19140240
Protection (electronics)	Coated	Coated
Color	Black	
Input Voltage (V <sub>AC</sub> )	200V-275V	380V-480V
Output Voltage (V <sub>DC</sub> )	(V <sub>DC</sub> =0.45 x V <sub>AC</sub> ) - As Half-Wave (V <sub>DC</sub> =0.90 x V <sub>AC</sub> ) - As Full-Wave	
Rated Current @ 40°C	0.7 A	0.7A
Rated Current @ 75°C	0.5 A	0.5A
Temperature Range	-20°C to 75°C	
DC-Switching via	External Contact or IR Relay	

## Braking Method

Braking Method	Break Release (Start)	Brake Engage (Stop)	Power Source
40	Standard	Very Fast (Reduced Power Holding)	Motor terminals
30	Fast (Overexcitation)	Standard (AC Switching)	Motor terminals
35	Fast (Overexcitation)	Fast (DC Switching)	Motor terminals

## Basic Connection (AC & DC Switching)

The GPE brake system can be connected for standard stopping (AC-Switching), fast stopping (DC-Switching) and very fast stopping (Reduced power holding & DC-Switching). Fast brake release can also be achieved by selecting a different brake coil combination.





# FAST ACTING BRAKE RECTIFIERS (GPE, GPU & PMG)



## Push-Hybrid Rectifiers Integrated DC Switching (GPU)

Like the standard NORD brake control rectifiers, NORD's fast acting brake control rectifiers convert AC voltage to DC voltage. The "Fast Acting Brake Rectifiers" are utilized to improve brake performance and are often recommended in order to provide shorter brake release times or to provide faster stopping times.

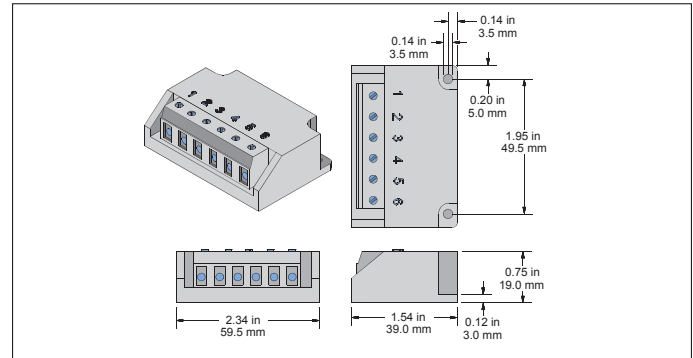
The fast acting rectifiers are a two-stage "push" design. When power is first applied these rectifiers operate like a full-wave rectifier and then after a relatively short period of time they act like a half-wave rectifier. The GPU rectifiers start out in full-wave mode when power is first applied and then after approximately 250 ms they switch to half-wave mode.

GPU rectifiers were designed for integrated control of the brake's DC-switching and are voltage sensing. GPU rectifiers are primarily used in applications where there is a frequency inverter, soft start, or two-speed motor. Separate AC power must be supplied to the brake rectifier.

There are two ways to apply the fast acting rectifiers:

- The first method, known as "Overexcitation," provides fast brake release. The brake coil is selected like a half-wave system (45% of the AC supply voltage).
- The second method, known as "Reduced Power Holding," provides very fast brake stopping. The brake coil is selected like a full-wave system (90% of the AC supply voltage).

## GPU Rectifier Dimensions



## Ratings & Part Numbers

Model Type	GPU20L	GPU40L
Part Number	19140090	19140170
Protection (electronics)	Coated	Coated
Color	Black	
Input Voltage (V <sub>AC</sub> )	200V-275V	380V-480V
Output Voltage (V <sub>DC</sub> )	(V <sub>DC</sub> =0.45 x V <sub>AC</sub> ) - As Half-Wave (V <sub>DC</sub> =0.90 x V <sub>AC</sub> ) - As Full-Wave	
Rated Current @ 40°C	0.7A	0.7A
Rated Current @ 75°C	0.5A	0.5A
Temperature Range	-20°C to 75°C	
DC-Switching via	Internal Activation	

## Basic Connection (AC & DC Switching)

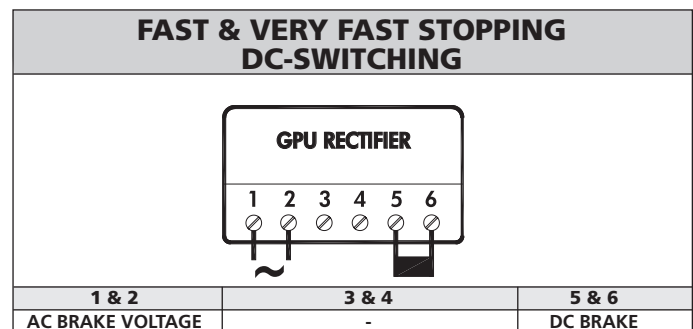
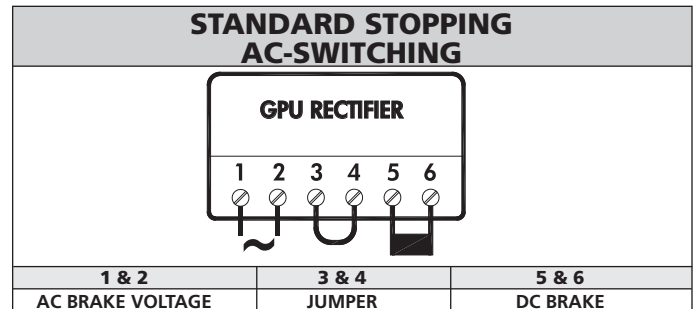
The GPU brake system can be connected for standard stopping (AC-Switching), fast stopping (DC-Switching) and very fast stopping (Reduced power holding & DC-Switching). Fast brake release can also be achieved by selecting a different brake coil combination.

**IMPORTANT NOTE**

The GPU rectifier may also be utilized for across-the-line applications; however it must always be powered separate from the motor and have its own pair of contactors or starters. It is **unadvisable** to use the motor terminal block to supply the GPU rectifier's AC power due to the motor's slow energy dissipation when switched off.

**IMPORTANT NOTE**

If the motor is connected to a frequency inverter, soft start, or is a two-speed motor, then separate AC power must be supplied to the brake rectifier.



## Braking Method

Braking Method	Break Release (Start)	Brake Engage (Stop)	Power Source
55	Standard	Very Fast (Reduced Power Holding)	Separate power
45	Fast (Overexcitation)	Standard (AC Switching)	Separate power
50	Fast (Overexcitation)	Fast (DC Switching)	Separate power



# FAST ACTING BRAKE RECTIFIERS (GPE, GPU & PMG)



DRIVESYSTEMS

RETAIN FOR FUTURE USE

U35100 - 4 of 11

## Push-Hybrid Rectifiers External DC Switching (PMG)

Like the standard NORD brake control rectifiers, NORD's fast acting brake control rectifiers convert AC voltage to DC voltage. The "Fast Acting Brake Rectifiers" are utilized to improve brake performance and are often recommended in order to provide shorter brake release times or to provide faster stopping times.

The fast acting rectifiers are a two-stage "push" design. When power is first applied these rectifiers operate like a full-wave rectifier and then after a relatively short period of time they act like a half-wave rectifier. The PMG type rectifiers start out in full-wave mode when power is first applied and then after approximately 250 ms they switch to half-wave mode.

PMG rectifiers were designed for external control of the brake's DC-switching. PMG rectifiers are primarily used in across-the-line applications where the brake power is supplied by the motor terminals, but they may also be used in situations where the brake power is supplied separately from the brake rectifier.

There are two ways to apply the fast acting rectifiers:

- The first method, known as "Overexcitation," provides fast brake release. The brake coil is selected like a half-wave system (45% of the AC supply voltage).
- The second method, known as "Reduced Power Holding," provides very fast brake stopping. The brake coil is selected like a full-wave system (90% of the AC supply voltage).

## Ratings & Part Numbers

Model Type	PMG 500
Part Number	19140200
Protection (electronics)	Coated
Color	Black
Input Voltage (V <sub>AC</sub> )	200-500V <sub>AC</sub> +/- 10%
Output Voltage (V <sub>DC</sub> )	(V <sub>DC</sub> =0.45 x V <sub>AC</sub> ) - As Half-Wave (V <sub>DC</sub> =0.90 x V <sub>AC</sub> ) - As Full-Wave
Rated Current @ 40°C	4.0 A
Rated Current @ 75°C	2.8 A
Temperature Range	-15°C to 80°C
DC-Switching via	External Contact

## Braking Method

Braking Method	Break Release (Start)	Brake Engage (Stop)	Power Source
40	Standard	Very Fast (Reduced Power Holding)	Motor terminals
30	Fast (Overexcitation)	Standard (AC Switching)	Motor terminals
35	Fast (Overexcitation)	Fast (DC Switching)	Motor terminals
55	Standard	Very Fast (Reduced Power Holding)	Separate power
45	Fast (Overexcitation)	Standard (AC Switching)	Separate power
50	Fast (Overexcitation)	Fast (DC Switching)	Separate power

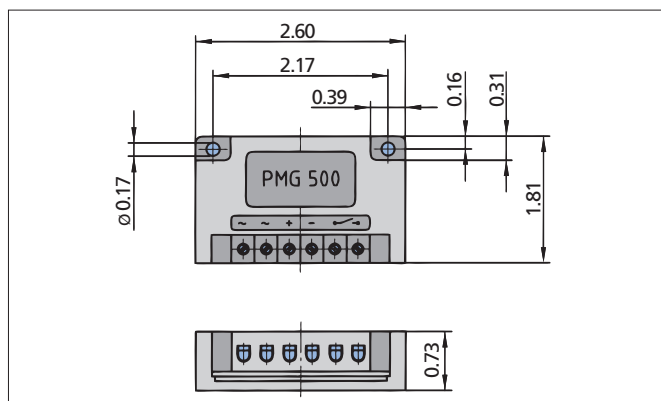
## Basic Connection (AC & DC Switching)

The PMG brake system can be connected for standard stopping (AC-Switching), fast stopping (DC-Switching) and very fast stopping (Reduced power holding & DC-Switching). Fast brake release can also be achieved by selecting a different brake coil combination.

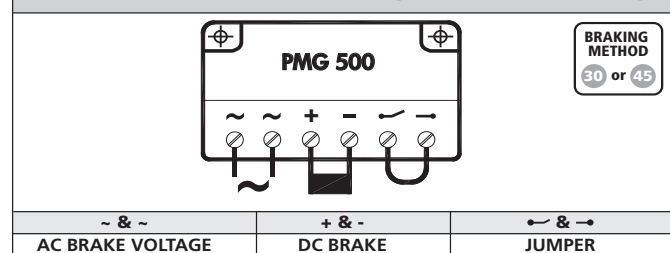
**IMPORTANT NOTE**

If the motor is connected to a frequency inverter, soft start, or is a two-speed motor, then separate AC power must be supplied to the brake rectifier.

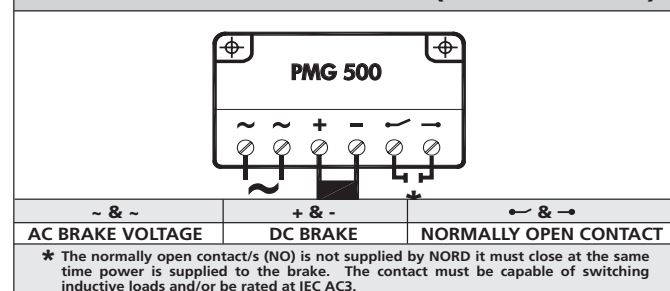
## PMG Rectifier Dimensions



## STANDARD STOPPING (AC-SWITCHING)



## FAST & VERY FAST STOPPING (DC-SWITCHING)





# FAST ACTING BRAKE RECTIFIERS (GPE, GPU & PMG)



## Brake Times & Electrical Selection

Brake timing performance is critical in selecting the optimal brake system. NORD brakes can provide exceptional performance in terms of the release (start) times and engagement (stop) times. Use the following guidelines in order to select the correct brake control components and connections.

- 1) Determine if the brake needs to be wired directly from the motor terminal block or powered by a separate source.
  - If you are using a frequency inverter, soft-start or a two speed motor you will need to supply the rectifier from a separate power source.
  - If the motor is powered direct across-the-line the rectifier power can be supplied from the motor's terminal block.
- 2) What type of performance do I need?
  - Is the standard brake performance OK?
  - Is a higher performance required for fast brake release or very fast brake stopping?
- 3) Determine the brake supply voltage and check the rectifier compatability using the table on the page 6.

## Selection Suggestions

### When Fast or Very Fast Stopping is Recommended

Any applications that require quick stops and positive action at stand-still

### Recommended Applications

- conveyors and inclined conveyors
- hoists and lifts
- bulk material handling equipment (bucket elevators, idler conveyor's).



### WARNING

**Hoisting (lifting/lowering) applications** - must have the brake wired for fast response (DC-switching) Hoisting (lifting/lowering) applications must have the brake wired for fast response to protect against injury or damage to the equipment.

### When Fast-Release is Recommended (Overexcitation)

Any application that is very high-cycling with frequent starts and stops. These applications require the brake to release very-quickly in order to avoid excessive heat build-up in the AC motor and brake coil.

### Recommended Applications

- Index conveyors
- Diverters

Power Source	Brake Release (start)	Brake engagement (stop)	Braking Method *	Rectifier
Motor Terminal Block	Standard	Very Fast (Reduced power holding)	40	GPE or PMG 500
	Fast (Overexcitation)	Standard (AC switching)	30	GPE or PMG 500
	Fast (Overexcitation)	Fast (DC switching)	35	GPE or PMG 500
Seperate Power Source	Standard	Very Fast (Reduced power holding)	55	GPU or PMG 500
	Fast (Overexcitation)	Standard (AC switching)	45	GPU or PMG 500
	Fast (Overexcitation)	Fast (DC switching)	50	GPU or PMG 500

\* Braking methods referenced in connection diagrams on pages 7-11.





# FAST ACTING BRAKE RECTIFIERS (GPE, GPU & PMG)



DRIVESYSTEMS

RETAIN FOR FUTURE USE

U35100 - 6 of 11

Rectifier Supply Voltage (VAC)	Brake Coil Voltage (VDC)	Braking Method	Rectifier Type	Rectifier P/N	BRE 5	BRE 10	BRE 20	BRE 40	BRE 60	BRE 100	BRE 150	BRE 250	BRE 400	BRE 800	BRE 1200
208 (200-208)	105	30	GPE20L	19140230	X	X	X	X							
	105	30	PMG500	19140200					X	X	X	X	X	X	X
	105	35	GPE20L	19140230	X	X	X	X							
	105	35	PMG500	19140200					X	X	X	X	X	X	X
	180	40	GPE20L	19140230	X	X	X	X	X	X	X				
	180	40	PMG500	19140200								X	X	X	X
	105	45	GPU20L	19140090	X	X	X	X							
	105	45	PMG500	19140200					X	X	X	X	X	X	X
	105	50	GPU20L	19140090	X	X	X	X							
	105	50	PMG500	19140200					X	X	X	X	X	X	X
	180	55	GPU20L	19140090	X	X	X	X	X	X	X				
180	55	PMG500	19140200								X	X	X	X	
230 (220-240)	105	30	GPE20L	19140230	X	X	X	X							
	105	30	PMG500	19140200					X	X	X	X	X	X	X
	105	35	GPE20L	19140230	X	X	X	X	X	X	X				
	105	35	PMG500	19140200								X	X	X	X
	205	40	GPE20L	19140230	X	X	X	X	X	X	X				
	205	40	PMG500	19140200								X	X	X	X
	105	45	GPU20L	19140090	X	X	X	X							
	105	45	PMG500	19140200					X	X	X	X	X	X	X
	105	50	GPU20L	19140090	X	X	X	X							
	105	50	PMG500	19140200					X	X	X	X	X	X	X
	205	55	GPU20L	19140090	X	X	X	X	X	X	X				
205	55	PMG500	19140200								X	X	X	X	
332	180	30	GPE40L	19140240	X	X	X	X	X	X	X				
	180	30	PMG500	19140200								X	X	X	X
	180	35	GPE40L	19140240	X	X	X	X	X	X	X				
	180	35	PMG500	19140200								X	X	X	X
	180	45	GPU40L	19140170	X	X	X	X	X	X	X				
	180	50	GPU40L	19140170	X	X	X	X	X	X	X				
400 (380-415)	180	30	GPE40L	19140240	X	X	X	X	X	X	X				
	180	30	PMG500	19140200								X	X	X	X
	180	35	GPE40L	19140240	X	X	X	X	X	X	X				
	180	35	PMG500	19140200								X	X	X	X
	180	45	GPU20L	19140090	X	X	X	X	X	X	X				
	180	45	PMG500	19140200								X	X	X	X
	180	50	GPU20L	19140090	X	X	X	X	X	X	X				
460 (440-480)	205	30	GPE40L	19140240	X	X	X	X	X	X	X				
	205	30	PMG500	19140200								X	X	X	X
	205	35	GPE40L	19140240	X	X	X	X	X	X	X				
	205	35	PMG500	19140200								X	X	X	X
	205	45	GPU40L	19140170	X	X	X	X	X	X	X				
	205	45	PMG500	19140200								X	X	X	X
	205	50	GPU40L	19140170	X	X	X	X	X	X	X				
	205	50	PMG500	19140200								X	X	X	X



# FAST ACTING BRAKE RECTIFIERS (GPE, GPU & PMG)



DRIVESYSTEMS

RETAIN FOR FUTURE USE

U35100 - 7 of 11

GP101A	GP101B	GP101C	GP101D																																																												
<p><b>POWERED FROM MOTOR TERMINAL BLOCK</b> <b>30</b></p> <p>FAST-RELEASE (OVER EXCITATION) NORMAL STOPPING (AC-SWITCHING)</p>	<p><b>POWERED FROM MOTOR TERMINAL BLOCK</b> <b>30</b></p> <p>FAST-RELEASE (OVER EXCITATION) NORMAL STOPPING (AC-SWITCHING)</p>	<p><b>POWERED FROM MOTOR TERMINAL BLOCK</b> <b>30</b></p> <p>FAST-RELEASE (OVER EXCITATION) NORMAL STOPPING (AC-SWITCHING)</p>	<p><b>POWERED FROM MOTOR TERMINAL BLOCK</b> <b>30</b></p> <p>FAST-RELEASE (OVER EXCITATION) NORMAL STOPPING (AC-SWITCHING)</p>																																																												
<table border="1"> <thead> <tr> <th>MOTOR</th> <th>RECTIFIER</th> <th>V<sub>motor</sub></th> <th>V<sub>B-AC</sub></th> <th>V<sub>B-DC</sub></th> </tr> </thead> <tbody> <tr> <td>230Vr/460y</td> <td>GPE20L</td> <td>230 VAC</td> <td>230 VAC</td> <td>105 VDC</td> </tr> </tbody> </table>	MOTOR	RECTIFIER	V <sub>motor</sub>	V <sub>B-AC</sub>	V <sub>B-DC</sub>	230Vr/460y	GPE20L	230 VAC	230 VAC	105 VDC	<table border="1"> <thead> <tr> <th>MOTOR</th> <th>RECTIFIER</th> <th>V<sub>motor</sub></th> <th>V<sub>B-AC</sub></th> <th>V<sub>B-DC</sub></th> </tr> </thead> <tbody> <tr> <td>230Vr/460y</td> <td>GPE20L</td> <td>460 VAC</td> <td>230 VAC</td> <td>105 VDC</td> </tr> </tbody> </table>	MOTOR	RECTIFIER	V <sub>motor</sub>	V <sub>B-AC</sub>	V <sub>B-DC</sub>	230Vr/460y	GPE20L	460 VAC	230 VAC	105 VDC	<table border="1"> <thead> <tr> <th>MOTOR</th> <th>RECTIFIER</th> <th>V<sub>motor</sub></th> <th>V<sub>B-AC</sub></th> <th>V<sub>B-DC</sub></th> </tr> </thead> <tbody> <tr> <td>230Vr/460y</td> <td>GPE40L</td> <td>460 VAC</td> <td>460 VAC</td> <td>205 VDC</td> </tr> </tbody> </table>	MOTOR	RECTIFIER	V <sub>motor</sub>	V <sub>B-AC</sub>	V <sub>B-DC</sub>	230Vr/460y	GPE40L	460 VAC	460 VAC	205 VDC	<table border="1"> <thead> <tr> <th>MOTOR</th> <th>RECTIFIER</th> <th>V<sub>motor</sub></th> <th>V<sub>B-AC</sub></th> <th>V<sub>B-DC</sub></th> </tr> </thead> <tbody> <tr> <td>208Δ/360y</td> <td>GPE20L</td> <td>208 VAC</td> <td>208 VAC</td> <td>105 VDC</td> </tr> <tr> <td>230Δ/400y</td> <td>GPE20L</td> <td>230 VAC</td> <td>230 VAC</td> <td>105 VDC</td> </tr> <tr> <td>400Δ/690y</td> <td>GPE40L</td> <td>400 VAC</td> <td>400 VAC</td> <td>180 VDC</td> </tr> <tr> <td>460Δ/y</td> <td>GPE40L</td> <td>460 VAC</td> <td>460 VAC</td> <td>205 VDC</td> </tr> </tbody> </table>	MOTOR	RECTIFIER	V <sub>motor</sub>	V <sub>B-AC</sub>	V <sub>B-DC</sub>	208Δ/360y	GPE20L	208 VAC	208 VAC	105 VDC	230Δ/400y	GPE20L	230 VAC	230 VAC	105 VDC	400Δ/690y	GPE40L	400 VAC	400 VAC	180 VDC	460Δ/y	GPE40L	460 VAC	460 VAC	205 VDC					
MOTOR	RECTIFIER	V <sub>motor</sub>	V <sub>B-AC</sub>	V <sub>B-DC</sub>																																																											
230Vr/460y	GPE20L	230 VAC	230 VAC	105 VDC																																																											
MOTOR	RECTIFIER	V <sub>motor</sub>	V <sub>B-AC</sub>	V <sub>B-DC</sub>																																																											
230Vr/460y	GPE20L	460 VAC	230 VAC	105 VDC																																																											
MOTOR	RECTIFIER	V <sub>motor</sub>	V <sub>B-AC</sub>	V <sub>B-DC</sub>																																																											
230Vr/460y	GPE40L	460 VAC	460 VAC	205 VDC																																																											
MOTOR	RECTIFIER	V <sub>motor</sub>	V <sub>B-AC</sub>	V <sub>B-DC</sub>																																																											
208Δ/360y	GPE20L	208 VAC	208 VAC	105 VDC																																																											
230Δ/400y	GPE20L	230 VAC	230 VAC	105 VDC																																																											
400Δ/690y	GPE40L	400 VAC	400 VAC	180 VDC																																																											
460Δ/y	GPE40L	460 VAC	460 VAC	205 VDC																																																											
<p><b>POWERED FROM MOTOR TERMINAL BLOCK</b> <b>30</b></p> <p>FAST-RELEASE (OVER EXCITATION) NORMAL STOPPING (AC-SWITCHING)</p>	<p><b>POWERED FROM MOTOR TERMINAL BLOCK</b> <b>35</b></p> <p>FAST-RELEASE (OVER EXCITATION) FAST STOPPING (DC-SWITCHING)</p>	<p><b>POWERED FROM MOTOR TERMINAL BLOCK</b> <b>35</b></p> <p>FAST-RELEASE (OVER EXCITATION) FAST STOPPING (DC-SWITCHING)</p>	<p><b>POWERED FROM MOTOR TERMINAL BLOCK</b> <b>35</b></p> <p>FAST-RELEASE (OVER EXCITATION) FAST STOPPING (DC-SWITCHING)</p>																																																												
<table border="1"> <thead> <tr> <th>MOTOR</th> <th>RECTIFIER</th> <th>V<sub>motor</sub></th> <th>V<sub>B-AC</sub></th> <th>V<sub>B-DC</sub></th> </tr> </thead> <tbody> <tr> <td>230Δ/400y</td> <td>GPE20L</td> <td>400 VAC</td> <td>230 VAC</td> <td>105 VDC</td> </tr> <tr> <td>332Δ/575y</td> <td>GPE40L</td> <td>575 VAC</td> <td>332 VAC</td> <td>180 VDC</td> </tr> </tbody> </table>	MOTOR	RECTIFIER	V <sub>motor</sub>	V <sub>B-AC</sub>	V <sub>B-DC</sub>	230Δ/400y	GPE20L	400 VAC	230 VAC	105 VDC	332Δ/575y	GPE40L	575 VAC	332 VAC	180 VDC	<table border="1"> <thead> <tr> <th>MOTOR</th> <th>RECTIFIER</th> <th>V<sub>motor</sub></th> <th>V<sub>B-AC</sub></th> <th>V<sub>B-DC</sub></th> </tr> </thead> <tbody> <tr> <td>230Vr/460y</td> <td>GPE20L</td> <td>230 VAC</td> <td>230 VAC</td> <td>105 VDC</td> </tr> </tbody> </table>	MOTOR	RECTIFIER	V <sub>motor</sub>	V <sub>B-AC</sub>	V <sub>B-DC</sub>	230Vr/460y	GPE20L	230 VAC	230 VAC	105 VDC	<table border="1"> <thead> <tr> <th>MOTOR</th> <th>RECTIFIER</th> <th>V<sub>motor</sub></th> <th>V<sub>B-AC</sub></th> <th>V<sub>B-DC</sub></th> </tr> </thead> <tbody> <tr> <td>230Vr/460y</td> <td>GPE20L</td> <td>460 VAC</td> <td>230 VAC</td> <td>105 VDC</td> </tr> </tbody> </table>	MOTOR	RECTIFIER	V <sub>motor</sub>	V <sub>B-AC</sub>	V <sub>B-DC</sub>	230Vr/460y	GPE20L	460 VAC	230 VAC	105 VDC	<table border="1"> <thead> <tr> <th>MOTOR</th> <th>RECTIFIER</th> <th>V<sub>motor</sub></th> <th>V<sub>B-AC</sub></th> <th>V<sub>B-DC</sub></th> </tr> </thead> <tbody> <tr> <td>230Vr/460y</td> <td>GPE40L</td> <td>460 VAC</td> <td>460 VAC</td> <td>205 VDC</td> </tr> </tbody> </table>	MOTOR	RECTIFIER	V <sub>motor</sub>	V <sub>B-AC</sub>	V <sub>B-DC</sub>	230Vr/460y	GPE40L	460 VAC	460 VAC	205 VDC															
MOTOR	RECTIFIER	V <sub>motor</sub>	V <sub>B-AC</sub>	V <sub>B-DC</sub>																																																											
230Δ/400y	GPE20L	400 VAC	230 VAC	105 VDC																																																											
332Δ/575y	GPE40L	575 VAC	332 VAC	180 VDC																																																											
MOTOR	RECTIFIER	V <sub>motor</sub>	V <sub>B-AC</sub>	V <sub>B-DC</sub>																																																											
230Vr/460y	GPE20L	230 VAC	230 VAC	105 VDC																																																											
MOTOR	RECTIFIER	V <sub>motor</sub>	V <sub>B-AC</sub>	V <sub>B-DC</sub>																																																											
230Vr/460y	GPE20L	460 VAC	230 VAC	105 VDC																																																											
MOTOR	RECTIFIER	V <sub>motor</sub>	V <sub>B-AC</sub>	V <sub>B-DC</sub>																																																											
230Vr/460y	GPE40L	460 VAC	460 VAC	205 VDC																																																											
<p><b>POWERED FROM MOTOR TERMINAL BLOCK</b> <b>35</b></p> <p>FAST-RELEASE (OVER EXCITATION) FAST STOPPING (DC-SWITCHING)</p>	<p><b>POWERED FROM MOTOR TERMINAL BLOCK</b> <b>35</b></p> <p>FAST-RELEASE (OVER EXCITATION) FAST STOPPING (DC-SWITCHING)</p>	<p><b>POWERED FROM MOTOR TERMINAL BLOCK</b> <b>40</b></p> <p>STANDARD RELEASE VERY FAST STOPPING (DC-SWITCHING + REDUCED POWER HOLDING)</p>	<p><b>POWERED FROM MOTOR TERMINAL BLOCK</b> <b>40</b></p> <p>STANDARD RELEASE VERY FAST STOPPING (DC-SWITCHING + REDUCED POWER HOLDING)</p>																																																												
<table border="1"> <thead> <tr> <th>MOTOR</th> <th>RECTIFIER</th> <th>V<sub>motor</sub></th> <th>V<sub>B-AC</sub></th> <th>V<sub>B-DC</sub></th> </tr> </thead> <tbody> <tr> <td>208Δ/360y</td> <td>GPE20L</td> <td>208 VAC</td> <td>208 VAC</td> <td>105 VDC</td> </tr> <tr> <td>230Δ/400y</td> <td>GPE20L</td> <td>230 VAC</td> <td>230 VAC</td> <td>105 VDC</td> </tr> <tr> <td>400Δ/690y</td> <td>GPE40L</td> <td>400 VAC</td> <td>400 VAC</td> <td>180 VDC</td> </tr> <tr> <td>460Δ/y</td> <td>GPE40L</td> <td>460 VAC</td> <td>460 VAC</td> <td>205 VDC</td> </tr> </tbody> </table>	MOTOR	RECTIFIER	V <sub>motor</sub>	V <sub>B-AC</sub>	V <sub>B-DC</sub>	208Δ/360y	GPE20L	208 VAC	208 VAC	105 VDC	230Δ/400y	GPE20L	230 VAC	230 VAC	105 VDC	400Δ/690y	GPE40L	400 VAC	400 VAC	180 VDC	460Δ/y	GPE40L	460 VAC	460 VAC	205 VDC	<table border="1"> <thead> <tr> <th>MOTOR</th> <th>RECTIFIER</th> <th>V<sub>motor</sub></th> <th>V<sub>B-AC</sub></th> <th>V<sub>B-DC</sub></th> </tr> </thead> <tbody> <tr> <td>230Δ/400y</td> <td>GPE20L</td> <td>400 VAC</td> <td>230 VAC</td> <td>105 VDC</td> </tr> <tr> <td>332Δ/575y</td> <td>GPE40L</td> <td>575 VAC</td> <td>332 VAC</td> <td>180 VDC</td> </tr> </tbody> </table>	MOTOR	RECTIFIER	V <sub>motor</sub>	V <sub>B-AC</sub>	V <sub>B-DC</sub>	230Δ/400y	GPE20L	400 VAC	230 VAC	105 VDC	332Δ/575y	GPE40L	575 VAC	332 VAC	180 VDC	<table border="1"> <thead> <tr> <th>MOTOR</th> <th>RECTIFIER</th> <th>V<sub>motor</sub></th> <th>V<sub>B-AC</sub></th> <th>V<sub>B-DC</sub></th> </tr> </thead> <tbody> <tr> <td>230Vr/460y</td> <td>GPE20L</td> <td>230 VAC</td> <td>230 VAC</td> <td>205 VDC</td> </tr> </tbody> </table>	MOTOR	RECTIFIER	V <sub>motor</sub>	V <sub>B-AC</sub>	V <sub>B-DC</sub>	230Vr/460y	GPE20L	230 VAC	230 VAC	205 VDC	<table border="1"> <thead> <tr> <th>MOTOR</th> <th>RECTIFIER</th> <th>V<sub>motor</sub></th> <th>V<sub>B-AC</sub></th> <th>V<sub>B-DC</sub></th> </tr> </thead> <tbody> <tr> <td>230Vr/460y</td> <td>GPE20L</td> <td>460 VAC</td> <td>230 VAC</td> <td>205 VDC</td> </tr> </tbody> </table>	MOTOR	RECTIFIER	V <sub>motor</sub>	V <sub>B-AC</sub>	V <sub>B-DC</sub>	230Vr/460y	GPE20L	460 VAC	230 VAC	205 VDC
MOTOR	RECTIFIER	V <sub>motor</sub>	V <sub>B-AC</sub>	V <sub>B-DC</sub>																																																											
208Δ/360y	GPE20L	208 VAC	208 VAC	105 VDC																																																											
230Δ/400y	GPE20L	230 VAC	230 VAC	105 VDC																																																											
400Δ/690y	GPE40L	400 VAC	400 VAC	180 VDC																																																											
460Δ/y	GPE40L	460 VAC	460 VAC	205 VDC																																																											
MOTOR	RECTIFIER	V <sub>motor</sub>	V <sub>B-AC</sub>	V <sub>B-DC</sub>																																																											
230Δ/400y	GPE20L	400 VAC	230 VAC	105 VDC																																																											
332Δ/575y	GPE40L	575 VAC	332 VAC	180 VDC																																																											
MOTOR	RECTIFIER	V <sub>motor</sub>	V <sub>B-AC</sub>	V <sub>B-DC</sub>																																																											
230Vr/460y	GPE20L	230 VAC	230 VAC	205 VDC																																																											
MOTOR	RECTIFIER	V <sub>motor</sub>	V <sub>B-AC</sub>	V <sub>B-DC</sub>																																																											
230Vr/460y	GPE20L	460 VAC	230 VAC	205 VDC																																																											

\* The normally open contact/s (NO) is not supplied by NORD. It must close at the same time power is supplied to the brake. The contact must be capable of switching inductive loads and/or be rated IEC AC3.

= Braking Method

**NORD Gear Limited**  
Toll Free in Canada: 800.668.4378

**NORD Gear Corporation**  
Toll Free in the United States: 888.314.6673

01.31.17

www.nord.com/docs



# FAST ACTING BRAKE RECTIFIERS (GPE, GPU & PMG)



DRIVESYSTEMS

RETAIN FOR FUTURE USE

U35100 - 8 of 11

Model	Power Source	Release Type	Stopping Type	Braking Method
GP103C	POWERED FROM MOTOR TERMINAL BLOCK	STANDARD RELEASE	VERY FAST STOPPING	DC-SWITCHING + REDUCED POWER HOLDING
GP103D	POWERED FROM MOTOR TERMINAL BLOCK	STANDARD RELEASE	VERY FAST STOPPING	DC-SWITCHING + REDUCED POWER HOLDING
GP104A	SEPERATE POWER SOURCE	FAST-RELEASE (OVER EXCITATION)	NORMAL STOPPING (AC-SWITCHING)	
GP104B	SEPERATE POWER SOURCE	FAST-RELEASE (OVER EXCITATION)	NORMAL STOPPING (AC-SWITCHING)	
GP104C	SEPERATE POWER SOURCE	FAST-RELEASE (OVER EXCITATION)	NORMAL STOPPING (AC-SWITCHING)	
GP104D	SEPERATE POWER SOURCE	FAST-RELEASE (OVER EXCITATION)	NORMAL STOPPING (AC-SWITCHING)	
GP104E	SEPERATE POWER SOURCE	FAST-RELEASE (OVER EXCITATION)	NORMAL STOPPING (AC-SWITCHING)	
GP105A	SEPERATE POWER SOURCE	FAST-RELEASE (OVER EXCITATION)	FAST STOPPING (DC-SWITCHING)	
GP105B	SEPERATE POWER SOURCE	FAST-RELEASE (OVER EXCITATION)	FAST STOPPING (DC-SWITCHING)	
GP105C	SEPERATE POWER SOURCE	FAST-RELEASE (OVER EXCITATION)	FAST STOPPING (DC-SWITCHING)	
GP105D	SEPERATE POWER SOURCE	FAST-RELEASE (OVER EXCITATION)	FAST STOPPING (DC-SWITCHING)	
GP105E	SEPERATE POWER SOURCE	FAST-RELEASE (OVER EXCITATION)	FAST STOPPING (DC-SWITCHING)	

\* The normally open contact/s (NO) is not supplied by NORD. It must close at the same time power is supplied to the brake. The contact must be capable of switching inductive loads and/or be rated IEC AC3.

= Braking Method

**NORD Gear Limited**  
Toll Free in Canada: 800.668.4378

**NORD Gear Corporation**  
Toll Free in the United States: 888.314.6673



# FAST ACTING BRAKE RECTIFIERS (GPE, GPU & PMG)



DRIVESYSTEMS

RETAIN FOR FUTURE USE

U35100 - 9 of 11

GP106A		GP106B		GP106C		GP106D													
SEPERATE POWER SOURCE STANDARD RELEASE VERY FAST STOPPING (DC-SWITCHING + REDUCED POWER HOLDING)		SEPERATE POWER SOURCE STANDARD RELEASE VERY FAST STOPPING (DC-SWITCHING + REDUCED POWER HOLDING)		SEPERATE POWER SOURCE STANDARD RELEASE VERY FAST STOPPING (DC-SWITCHING + REDUCED POWER HOLDING)		SEPERATE POWER SOURCE STANDARD RELEASE VERY FAST STOPPING (DC-SWITCHING + REDUCED POWER HOLDING)													
55		55		55		55													
MOTOR	RECTIFIER	$V_{motor}$	$V_{B-AC}$	$V_{B-DC}$	MOTOR	RECTIFIER	$V_{motor}$	$V_{B-AC}$	$V_{B-DC}$	MOTOR	RECTIFIER	$V_{motor}$	$V_{B-AC}$	$V_{B-DC}$	MOTOR	RECTIFIER	$V_{motor}$	$V_{B-AC}$	$V_{B-DC}$
230Vr/460Vr	GPU20L	230 VAC	230 VAC	205 VDC	230Vr/460Vr	GPU20L	460 VAC	230 VAC	205 VDC	208Δ/360Vr 230Δ/400Vr	GPU20L GPU20L	208 VAC 230 VAC	208 VAC 230 VAC	180 VDC 205 VDC	230Δ/400Vr	GPU20L	400 VAC	230 VAC	205 VDC
PMG101A		PMG101B		PMG101C		PMG101D													
POWERED FROM MOTOR TERMINAL BLOCK FAST-RELEASE (OVER EXCITATION) NORMAL STOPPING (AC-SWITCHING)		POWERED FROM MOTOR TERMINAL BLOCK FAST-RELEASE (OVER EXCITATION) NORMAL STOPPING (AC-SWITCHING)		POWERED FROM MOTOR TERMINAL BLOCK FAST-RELEASE (OVER EXCITATION) NORMAL STOPPING (AC-SWITCHING)		POWERED FROM MOTOR TERMINAL BLOCK FAST-RELEASE (OVER EXCITATION) NORMAL STOPPING (AC-SWITCHING)													
30		30		30		30													
MOTOR	RECTIFIER	$V_{motor}$	$V_{B-AC}$	$V_{B-DC}$	MOTOR	RECTIFIER	$V_{motor}$	$V_{B-AC}$	$V_{B-DC}$	MOTOR	RECTIFIER	$V_{motor}$	$V_{B-AC}$	$V_{B-DC}$	MOTOR	RECTIFIER	$V_{motor}$	$V_{B-AC}$	$V_{B-DC}$
230Vr/460Vr	PMG500	230 VAC	230 VAC	105 VDC	230Vr/460Vr	PMG500	460 VAC	230 VAC	105 VDC	230Vr/460Vr	PMG500	460 VAC	460 VAC	205 VDC	208Δ/360Vr 230Δ/400Vr 400Δ/690Vr 460Δ/7Vr	PMG500 PMG500 PMG500 PMG500	208 VAC 230 VAC 400 VAC 460 VAC	208 VAC 230 VAC 400 VAC 460 VAC	105 VDC 105 VDC 180 VDC 205 VDC
PMG101E		PMG102A		PMG102B		PMG102C													
POWERED FROM MOTOR TERMINAL BLOCK FAST-RELEASE (OVER EXCITATION) NORMAL STOPPING (AC-SWITCHING)		POWERED FROM MOTOR TERMINAL BLOCK FAST-RELEASE (OVER EXCITATION) FAST STOPPING (DC-SWITCHING)		POWERED FROM MOTOR TERMINAL BLOCK FAST-RELEASE (OVER EXCITATION) FAST STOPPING (DC-SWITCHING)		POWERED FROM MOTOR TERMINAL BLOCK FAST-RELEASE (OVER EXCITATION) FAST STOPPING (DC-SWITCHING)													
30		35		35		35													
MOTOR	RECTIFIER	$V_{motor}$	$V_{B-AC}$	$V_{B-DC}$	MOTOR	RECTIFIER	$V_{motor}$	$V_{B-AC}$	$V_{B-DC}$	MOTOR	RECTIFIER	$V_{motor}$	$V_{B-AC}$	$V_{B-DC}$	MOTOR	RECTIFIER	$V_{motor}$	$V_{B-AC}$	$V_{B-DC}$
230Δ/400Vr	PMG500	400 VAC	230 VAC	105 VDC	230Vr/460Vr	PMG500	230 VAC	230 VAC	105 VDC	230Vr/460Vr	PMG500	460 VAC	230 VAC	105 VDC	230Vr/460Vr	PMG500	460 VAC	460 VAC	205 VDC

\* The normally open contact/s (NO) is not supplied by NORD. It must close at the same time power is supplied to the brake. The contact must be capable of switching inductive loads and/or be rated IEC AC3.

= Braking Method

**NORD Gear Limited**  
Toll Free in Canada: 800.668.4378

**NORD Gear Corporation**  
Toll Free in the United States: 888.314.6673



# FAST ACTING BRAKE RECTIFIERS (GPE, GPU & PMG)



DRIVESYSTEMS

RETAIN FOR FUTURE USE

U35100 - 10 of 11

PMG102D	35	POWERED FROM MOTOR TERMINAL BLOCK	FAST-RELEASE (OVER EXCITATION)	FAST STOPPING (DC-SWITCHING)	LOW VOLTAGE	MOTOR STARTER V <sub>motor</sub>	MOTOR	RECTIFIER	V <sub>motor</sub>	V <sub>B-AC</sub>	V <sub>B-DC</sub>
208Δ/360v	PMG500	208 VAC	208 VAC	105 VDC			208Δ/360v	PMG500	208 VAC	208 VAC	105 VDC
230Δ/400v	PMG500	230 VAC	230 VAC	105 VDC			230Δ/400v	PMG500	230 VAC	230 VAC	105 VDC
400Δ/690v	PMG500	400 VAC	400 VAC	180 VDC			400Δ/690v	PMG500	400 VAC	400 VAC	180 VDC
460Δ/7y	PMG500	460 VAC	460 VAC	205 VDC			460Δ/7y	PMG500	460 VAC	460 VAC	205 VDC
PMG102E	35 <th>POWERED FROM MOTOR TERMINAL BLOCK</th> <th>FAST-RELEASE (OVER EXCITATION)</th> <th>FAST STOPPING (DC-SWITCHING)</th> <th>HIGH VOLTAGE</th> <th>MOTOR STARTER V<sub>motor</sub></th> <th>MOTOR</th> <th>RECTIFIER</th> <th>V<sub>motor</sub></th> <th>V<sub>B-AC</sub></th> <th>V<sub>B-DC</sub></th>	POWERED FROM MOTOR TERMINAL BLOCK	FAST-RELEASE (OVER EXCITATION)	FAST STOPPING (DC-SWITCHING)	HIGH VOLTAGE	MOTOR STARTER V <sub>motor</sub>	MOTOR	RECTIFIER	V <sub>motor</sub>	V <sub>B-AC</sub>	V <sub>B-DC</sub>
230Δ/400v	PMG500	400 VAC	230 VAC	105 VDC			230Δ/400v	PMG500	400 VAC	230 VAC	105 VDC
PMG103A	40 <th>POWERED FROM MOTOR TERMINAL BLOCK</th> <th>STANDARD RELEASE</th> <th>VERY FAST STOPPING (DC-SWITCHING + REDUCED POWER HOLDING)</th> <th>LOW VOLTAGE</th> <th>MOTOR STARTER V<sub>motor</sub></th> <th>MOTOR</th> <th>RECTIFIER</th> <th>V<sub>motor</sub></th> <th>V<sub>B-AC</sub></th> <th>V<sub>B-DC</sub></th>	POWERED FROM MOTOR TERMINAL BLOCK	STANDARD RELEASE	VERY FAST STOPPING (DC-SWITCHING + REDUCED POWER HOLDING)	LOW VOLTAGE	MOTOR STARTER V <sub>motor</sub>	MOTOR	RECTIFIER	V <sub>motor</sub>	V <sub>B-AC</sub>	V <sub>B-DC</sub>
230vr/460v	PMG500	230 VAC	230 VAC	205 VDC			230vr/460v	PMG500	230 VAC	230 VAC	205 VDC
PMG103B	40 <th>POWERED FROM MOTOR TERMINAL BLOCK</th> <th>STANDARD RELEASE</th> <th>VERY FAST STOPPING (DC-SWITCHING + REDUCED POWER HOLDING)</th> <th>HIGH VOLTAGE</th> <th>MOTOR STARTER V<sub>motor</sub></th> <th>MOTOR</th> <th>RECTIFIER</th> <th>V<sub>motor</sub></th> <th>V<sub>B-AC</sub></th> <th>V<sub>B-DC</sub></th>	POWERED FROM MOTOR TERMINAL BLOCK	STANDARD RELEASE	VERY FAST STOPPING (DC-SWITCHING + REDUCED POWER HOLDING)	HIGH VOLTAGE	MOTOR STARTER V <sub>motor</sub>	MOTOR	RECTIFIER	V <sub>motor</sub>	V <sub>B-AC</sub>	V <sub>B-DC</sub>
230vr/460v	PMG500	460 VAC	230 VAC	205 VDC			230vr/460v	PMG500	460 VAC	230 VAC	205 VDC
PMG103C	40 <th>POWERED FROM MOTOR TERMINAL BLOCK</th> <th>STANDARD RELEASE</th> <th>VERY FAST STOPPING (DC-SWITCHING + REDUCED POWER HOLDING)</th> <th>LOW VOLTAGE</th> <th>MOTOR STARTER V<sub>motor</sub></th> <th>MOTOR</th> <th>RECTIFIER</th> <th>V<sub>motor</sub></th> <th>V<sub>B-AC</sub></th> <th>V<sub>B-DC</sub></th>	POWERED FROM MOTOR TERMINAL BLOCK	STANDARD RELEASE	VERY FAST STOPPING (DC-SWITCHING + REDUCED POWER HOLDING)	LOW VOLTAGE	MOTOR STARTER V <sub>motor</sub>	MOTOR	RECTIFIER	V <sub>motor</sub>	V <sub>B-AC</sub>	V <sub>B-DC</sub>
208Δ/360v	PMG500	208 VAC	208 VAC	180 VDC			208Δ/360v	PMG500	208 VAC	208 VAC	180 VDC
230Δ/400v	PMG500	230 VAC	230 VAC	205 VDC			230Δ/400v	PMG500	230 VAC	230 VAC	205 VDC
PMG103D	40 <th>POWERED FROM MOTOR TERMINAL BLOCK</th> <th>STANDARD RELEASE</th> <th>VERY FAST STOPPING (DC-SWITCHING + REDUCED POWER HOLDING)</th> <th>HIGH VOLTAGE</th> <th>MOTOR STARTER V<sub>motor</sub></th> <th>MOTOR</th> <th>RECTIFIER</th> <th>V<sub>motor</sub></th> <th>V<sub>B-AC</sub></th> <th>V<sub>B-DC</sub></th>	POWERED FROM MOTOR TERMINAL BLOCK	STANDARD RELEASE	VERY FAST STOPPING (DC-SWITCHING + REDUCED POWER HOLDING)	HIGH VOLTAGE	MOTOR STARTER V <sub>motor</sub>	MOTOR	RECTIFIER	V <sub>motor</sub>	V <sub>B-AC</sub>	V <sub>B-DC</sub>
230Δ/400v	PMG500	400 VAC	230 VAC	205 VDC			230Δ/400v	PMG500	400 VAC	230 VAC	205 VDC
PMG104A	45 <th>SEPERATE POWER SOURCE</th> <th>FAST-RELEASE (OVER EXCITATION)</th> <th>NORMAL STOPPING (AC-SWITCHING)</th> <th>LOW VOLTAGE</th> <th>MOTOR STARTER V<sub>motor</sub></th> <th>MOTOR</th> <th>RECTIFIER</th> <th>V<sub>motor</sub></th> <th>V<sub>B-AC</sub></th> <th>V<sub>B-DC</sub></th>	SEPERATE POWER SOURCE	FAST-RELEASE (OVER EXCITATION)	NORMAL STOPPING (AC-SWITCHING)	LOW VOLTAGE	MOTOR STARTER V <sub>motor</sub>	MOTOR	RECTIFIER	V <sub>motor</sub>	V <sub>B-AC</sub>	V <sub>B-DC</sub>
230vr/460v	PMG500	230 VAC	230 VAC	105 VDC			230vr/460v	PMG500	230 VAC	230 VAC	105 VDC
PMG104B	45 <th>SEPERATE POWER SOURCE</th> <th>FAST-RELEASE (OVER EXCITATION)</th> <th>NORMAL STOPPING (AC-SWITCHING)</th> <th>HIGH VOLTAGE</th> <th>MOTOR STARTER V<sub>motor</sub></th> <th>MOTOR</th> <th>RECTIFIER</th> <th>V<sub>motor</sub></th> <th>V<sub>B-AC</sub></th> <th>V<sub>B-DC</sub></th>	SEPERATE POWER SOURCE	FAST-RELEASE (OVER EXCITATION)	NORMAL STOPPING (AC-SWITCHING)	HIGH VOLTAGE	MOTOR STARTER V <sub>motor</sub>	MOTOR	RECTIFIER	V <sub>motor</sub>	V <sub>B-AC</sub>	V <sub>B-DC</sub>
230vr/460v	PMG500	460 VAC	230 VAC	105 VDC			230vr/460v	PMG500	460 VAC	230 VAC	105 VDC
PMG104C	45 <th>SEPERATE POWER SOURCE</th> <th>FAST-RELEASE (OVER EXCITATION)</th> <th>NORMAL STOPPING (AC-SWITCHING)</th> <th>HIGH VOLTAGE</th> <th>MOTOR STARTER V<sub>motor</sub></th> <th>MOTOR</th> <th>RECTIFIER</th> <th>V<sub>motor</sub></th> <th>V<sub>B-AC</sub></th> <th>V<sub>B-DC</sub></th>	SEPERATE POWER SOURCE	FAST-RELEASE (OVER EXCITATION)	NORMAL STOPPING (AC-SWITCHING)	HIGH VOLTAGE	MOTOR STARTER V <sub>motor</sub>	MOTOR	RECTIFIER	V <sub>motor</sub>	V <sub>B-AC</sub>	V <sub>B-DC</sub>
230vr/460v	PMG500	460 VAC	460 VAC	205 VDC			230vr/460v	PMG500	460 VAC	460 VAC	205 VDC
PMG104D	45 <th>SEPERATE POWER SOURCE</th> <th>FAST-RELEASE (OVER EXCITATION)</th> <th>NORMAL STOPPING (AC-SWITCHING)</th> <th>LOW VOLTAGE</th> <th>MOTOR STARTER V<sub>motor</sub></th> <th>MOTOR</th> <th>RECTIFIER</th> <th>V<sub>motor</sub></th> <th>V<sub>B-AC</sub></th> <th>V<sub>B-DC</sub></th>	SEPERATE POWER SOURCE	FAST-RELEASE (OVER EXCITATION)	NORMAL STOPPING (AC-SWITCHING)	LOW VOLTAGE	MOTOR STARTER V <sub>motor</sub>	MOTOR	RECTIFIER	V <sub>motor</sub>	V <sub>B-AC</sub>	V <sub>B-DC</sub>
208Δ/360v	PMG500	208 VAC	208 VAC	105 VDC			208Δ/360v	PMG500	208 VAC	208 VAC	105 VDC
230Δ/400v	PMG500	230 VAC	230 VAC	105 VDC			230Δ/400v	PMG500	230 VAC	230 VAC	105 VDC
400Δ/690v	PMG500	400 VAC	400 VAC	180 VDC			400Δ/690v	PMG500	400 VAC	400 VAC	180 VDC
460Δ/7y	PMG500	460 VAC	460 VAC	205 VDC			460Δ/7y	PMG500	460 VAC	460 VAC	205 VDC
PMG104E	45 <th>SEPERATE POWER SOURCE</th> <th>FAST-RELEASE (OVER EXCITATION)</th> <th>NORMAL STOPPING (AC-SWITCHING)</th> <th>HIGH VOLTAGE</th> <th>MOTOR STARTER V<sub>motor</sub></th> <th>MOTOR</th> <th>RECTIFIER</th> <th>V<sub>motor</sub></th> <th>V<sub>B-AC</sub></th> <th>V<sub>B-DC</sub></th>	SEPERATE POWER SOURCE	FAST-RELEASE (OVER EXCITATION)	NORMAL STOPPING (AC-SWITCHING)	HIGH VOLTAGE	MOTOR STARTER V <sub>motor</sub>	MOTOR	RECTIFIER	V <sub>motor</sub>	V <sub>B-AC</sub>	V <sub>B-DC</sub>
230Δ/400v	PMG500	400 VAC	230 VAC	105 VDC			230Δ/400v	PMG500	400 VAC	230 VAC	105 VDC
PMG105A	50 <th>SEPERATE POWER SOURCE</th> <th>FAST-RELEASE (OVER EXCITATION)</th> <th>FAST STOPPING (DC-SWITCHING)</th> <th>LOW VOLTAGE</th> <th>MOTOR STARTER V<sub>motor</sub></th> <th>MOTOR</th> <th>RECTIFIER</th> <th>V<sub>motor</sub></th> <th>V<sub>B-AC</sub></th> <th>V<sub>B-DC</sub></th>	SEPERATE POWER SOURCE	FAST-RELEASE (OVER EXCITATION)	FAST STOPPING (DC-SWITCHING)	LOW VOLTAGE	MOTOR STARTER V <sub>motor</sub>	MOTOR	RECTIFIER	V <sub>motor</sub>	V <sub>B-AC</sub>	V <sub>B-DC</sub>
230vr/460v	PMG500	230 VAC	230 VAC	105 VDC			230vr/460v	PMG500	230 VAC	230 VAC	105 VDC

\* The normally open contact/s (NO) is not supplied by NORD. It must close at the same time power is supplied to the brake. The contact must be capable of switching inductive loads and/or be rated IEC AC3.

= Braking Method

**NORD Gear Limited**  
Toll Free in Canada: 800.668.4378

**NORD Gear Corporation**  
Toll Free in the United States: 888.314.6673



# FAST ACTING BRAKE RECTIFIERS (GPE, GPU & PMG)



DRIVESYSTEMS

RETAIN FOR FUTURE USE

U35100 - 11 of 11

PMG105B		PMG105C		PMG105D		PMG105E			
50		50		50		50			
SEPERATE POWER SOURCE FAST-RELEASE (OVER EXCITATION) FAST STOPPING (DC-SWITCHING)		SEPERATE POWER SOURCE FAST-RELEASE (OVER EXCITATION) FAST STOPPING (DC-SWITCHING)		SEPERATE POWER SOURCE FAST-RELEASE (OVER EXCITATION) FAST STOPPING (DC-SWITCHING)		SEPERATE POWER SOURCE FAST-RELEASE (OVER EXCITATION) FAST STOPPING (DC-SWITCHING)			
MOTOR	RECTIFIER	$V_{motor}$	$V_{B-AC}$	$V_{B-DC}$	MOTOR	RECTIFIER	$V_{motor}$	$V_{B-AC}$	$V_{B-DC}$
230Y/460Y	PMG500	460 VAC	230 VAC	105 VDC	230Y/460Y	PMG500	460 VAC	460 VAC	205 VDC
					208Δ/360Y	PMG500	208 VAC	208 VAC	105 VDC
					230Δ/400Y	PMG500	230 VAC	230 VAC	105 VDC
					400Δ/690Y	PMG500	400 VAC	400 VAC	180 VDC
					460Δ/Y	PMG500	460 VAC	460 VAC	205 VDC
PMG106A		PMG106B		PMG106C		PMG106D			
55		55		55		55			
SEPERATE POWER SOURCE STANDARD RELEASE VERY FAST STOPPING (DC-SWITCHING + REDUCED POWER HOLDING)		SEPERATE POWER SOURCE STANDARD RELEASE VERY FAST STOPPING (DC-SWITCHING + REDUCED POWER HOLDING)		SEPERATE POWER SOURCE STANDARD RELEASE VERY FAST STOPPING (DC-SWITCHING + REDUCED POWER HOLDING)		SEPERATE POWER SOURCE STANDARD RELEASE VERY FAST STOPPING (DC-SWITCHING + REDUCED POWER HOLDING)			
MOTOR	RECTIFIER	$V_{motor}$	$V_{B-AC}$	$V_{B-DC}$	MOTOR	RECTIFIER	$V_{motor}$	$V_{B-AC}$	$V_{B-DC}$
230Y/460Y	PMG500	230 VAC	230 VAC	205 VDC	230Y/460Y	PMG500	460 VAC	230 VAC	205 VDC
					208Δ/360Y	PMG500	208 VAC	208 VAC	180 VDC
					230Δ/400Y	PMG500	230 VAC	230 VAC	205 VDC
					230Δ/400Y	PMG500	230 VAC	230 VAC	205 VDC

\* The normally open contact/s (NO) is not supplied by NORD. It must close at the same time power is supplied to the brake. The contact must be capable of switching inductive loads and/or be rated IEC AC3.

= Braking Method

**NORD Gear Limited**  
Toll Free in Canada: 800.668.4378

**NORD Gear Corporation**  
Toll Free in the United States: 888.314.6673





# CURRENT SENSING BRAKE RELAY (IR) INSTALLATION & MAINTENANCE



DRIVESYSTEMS

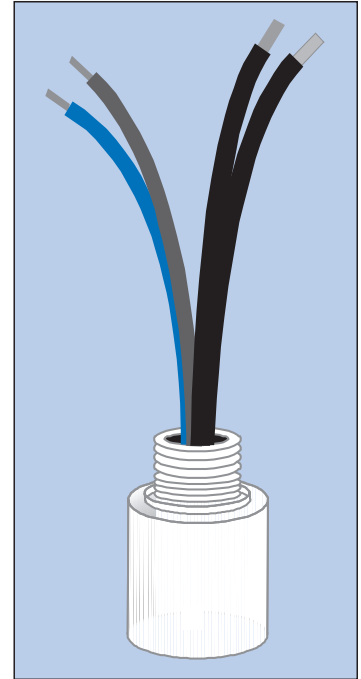
RETAIN FOR FUTURE USE

U35200 - 1 of 5

## Current Sensing Relay (IR)

Modify

The current sensing relay, is used to achieve a fast brake engagement (stopping) without the use of external control equipment or additional wiring. The relay is mounted directly on the conduit box, and is powered from the motor's terminal block. The power leads for the relay replace one of the brass jumper bars on the terminal block of any single speed motor. The switch leads are connected to terminals 3 and 4 of the rectifier. When the power to the motor is shut off, the IR relay opens the brake circuit on the DC side which allows the brake to de-magnetize quickly.



### IMPORTANT NOTE

#### Current Sensing Relay Requirements

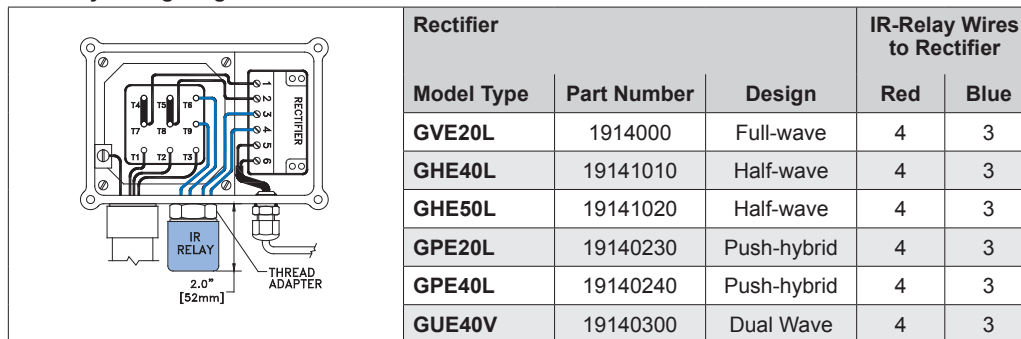
- Brake must be powered from the motor's terminal block (not separately powered)
- Motor must be single speed and should not be powered by a frequency inverter or soft starter.

Part number	18556010	18556020
Reissmann Part Number	RSR 25-46	RSR 50-46
Primary Current Rating (black/white wires)	25A <sub>AC</sub>	50 A <sub>AC</sub>
Maximum Primary Current (black/white wires)	75A <sub>AC</sub>	150 A <sub>AC</sub>
Maximum Time at Maximum Primary Current	0.2 s	0.2 s
Maximum Cycles per hour	500	500
Switching Voltage	42 - 550V <sub>DC</sub>	42 - 550V <sub>DC</sub>
Switching Current (red/blue wires)	1.0 A <sub>DC</sub>	1.0 A <sub>DC</sub>
Holding Current ①	< 0.7 A <sub>AC</sub>	< 0.7 A <sub>AC</sub>
Delay Time ②	18 ms	18 ms
Enclosure Rating	IP65	IP65
Ambient Temp.	- 25 to 90 °C (- 40 to 167 °F)	- 25 to 90 °C (- 40 to 167 °F)

① Relative to the distortion created by the magnetising current of the motor.

② Additional setting time delay added to the DC-setting time of the brake circuit.

### IR Relay Wiring Diagram



### Conduit Box Thread Adapter

Thread	Motor Frame	Part Number	O-Ring
M20	63-71	18542006*	25501615
M25	80-90	18522253	25501615
M32	100-132	18522320	25501615
M40	160-180	18522400 + 18522253	25501615

\* Spacer

**NORD Gear Limited**

Toll Free in Canada: 800.668.4378

**NORD Gear Corporation**

Toll Free in the United States: 888.314.6673



# CURRENT SENSING BRAKE RELAY (IR) INSTALLATION & MAINTENANCE



DRIVESYSTEMS

RETAIN FOR FUTURE USE

U35200 - 2 of 5

## IR Relay Selection Table for 4-Pole Motors

Type	Efficiency	230/460 V 60 Hz	460V D 60 Hz	332/575V 60 Hz	208/360 V 60 Hz	230/400V 50 Hz	400/690V 50 Hz
63S/4	SE (IE1)	25A	-	25A	25A	25A	-
63SP/4	PE (IE3)	25A	-	25A	-	25A	-
63L/4	SE (IE1)	25A	-	25A	25A	25A	-
63LP/4	PE (IE3)	25A	-	25A	-	25A	-
71S/4	SE (IE1)	25A	-	25A	25A	25A	-
71SP/4	PE (IE3)	25A	-	25A	-	25A	-
71L/4	SE (IE1)	25A	-	25A	25A	25A	-
71LP/4	PE (IE3)	25A	-	25A	-	25A	-
80S/4	SE (IE1)	25A	-	25A	25A	25A	-
80SH/4	EE (IE2)	-	-	-	-	25A	-
80SP/4	PE (IE3)	25A	-	25A	-	25A	-
80L/4	SE (IE1)	25A	-	25A	25A	25A	-
80LH/4	EE (IE2)	25A	-	25A	-	25A	-
80LP/4	PE (IE3)	25A	-	25A	-	25A	-
90S/4	SE (IE1)	25A	-	25A	25A	25A	-
90SH/4	EE (IE2)	25A	-	25A	-	25A	-
90SP/4	PE (IE3)	25A	-	25A	-	25A	-
90L/4	SE (IE1)	25A	-	25A	25A	25A	-
90LH/4	EE (IE2)	25A	-	25A	-	25A	-
90LP/4	PE (IE3)	25A	-	25A	-	25A	-
100L/4	SE (IE1)	25A	-	25A	25A	-	25A
100LH/4	EE (IE2)	25A	-	25A	-	-	25A
100LP/4	PE (IE3)	25A	-	25A	-	-	25A
100LA/4	SE (IE1)	25A	-	25A	25A	-	25A
100AH/4	EE (IE2)	-	-	-	-	-	25A
100AP/4	PE (IE3)	-	-	-	-	-	25A
112M/4	SE (IE1)	-	-	-	-	-	25A
112MH/4	EE (IE2)	25A	-	25A	-	-	25A
112MP/4	PE (IE3)	25A	-	25A	-	-	25A
132S/4	SE (IE1)	25A	-	25A	25A	-	25A
132SH/4	EE (IE2)	25A	-	25A	-	-	25A
132SP/4	PE (IE3)	25A	-	25A	-	-	25A
132M/4	SE (IE1)	25A	-	25A	25A	-	25A
132MH/4	EE (IE2)	25A	-	25A	-	-	25A
132LH/4	EE (IE2)	-	-	-	-	-	25A
132MA/4	SE (IE1)	-	-	-	-	-	25A
132MP/4	PE (IE3)	25A	-	25A	-	-	25A

25 A (P/N 18556010) – IR Relay is rated for 25 Amp motor phase current.

50 A (P/N 18556020) – IR Relay is rated for 50 Amp motor phase current.

N/A – IR Relay option is not available.

*Observe the efficiency law requirements for the country that the motor will be utilized in.*

**NORD Gear Limited**

Toll Free in Canada: 800.668.4378

**NORD Gear Corporation**

Toll Free in the United States: 888.314.6673

08.16.17

[www.nord.com/docs](http://www.nord.com/docs)



# CURRENT SENSING BRAKE RELAY (IR) INSTALLATION & MAINTENANCE



DRIVESYSTEMS

RETAIN FOR FUTURE USE

U35200 - 3 of 5

## IR Relay Selection Table for 4-Pole Motors Ctd.

Type	Efficiency	230/460 V 60 Hz	460V D 60 Hz	332/575V 60 Hz	208/360 V 60 Hz	230/400V 50 Hz	400/690V 50 Hz
160SH/4	EE (IE2)	-	-	-	-	-	25A
160SP/4	PE (IE3)	-	-	-	-	-	25A
160M/4	SE (IE1)	25A	-	25A	-	-	25A
160MH/4	EE (IE2)	25A	-	25A	-	-	25A
160MP/4	PE (IE3)	25A	-	25A	-	-	25A
160L/4	SE (IE1)	25A	-	25A	-	-	25A
160LH/4	EE (IE2)	25A	-	25A	-	-	50 A
160LP/4	PE (IE3)	25A	-	25A	-	-	50 A
180MX/4	SE (IE1)	50 A	-	25A	-	-	25A
180MH/4	EE (IE2)	50 A	-	25A	-	-	50 A
180MP/4	PE (IE3)	50 A	-	25A	-	-	50 A
180LX/4	SE (IE1)	50 A	-	50 A	-	-	25A
180LH/4	EE (IE2)	50 A	-	50 A	-	-	50 A
180LP/4	PE (IE3)	50 A	-	50 A	-	-	50 A
200LX/4	SE (IE1)	50 A	-	50 A	-	-	50 A
200XH/4	EE (IE2)	N/A	-	50 A	-	-	N/A
225RP/4	PE (IE3)	-	50 A	50 A	-	-	N/A
225SH/4	EE (IE2)	-	50 A	50 A	-	-	N/A
225SP/4	PE (IE3)	-	50 A	50 A	-	-	N/A
225MH/4	EE (IE2)	-	50 A	N/A	-	-	N/A
225MP/4	PE (IE3)	-	50 A	N/A	-	-	N/A
250WH/4	EE (IE2)	-	N/A	N/A	-	-	N/A
250WP/4	PE (IE3)	-	50 A	N/A	-	-	N/A
280SH/4	EE (IE2)	-	N/A	N/A	-	-	N/A
280SP/4	PE (IE3)	-	N/A	N/A	-	-	N/A
280MH/4	EE (IE2)	-	N/A	N/A	-	-	N/A
280MP/4	PE (IE3)	-	N/A	N/A	-	-	N/A
315SH/4	EE (IE2)	-	N/A	N/A	-	-	N/A
315SP/4	PE (IE3)	-	N/A	N/A	-	-	N/A
315MH/4	EE (IE2)	-	N/A	N/A	-	-	N/A
315MP/4	PE (IE3)	-	N/A	N/A	-	-	N/A
315RH/4	EE (IE2)	-	N/A	N/A	-	-	N/A
315RP/4	PE (IE3)	-	N/A	N/A	-	-	N/A
315LH/4	EE (IE2)	-	N/A	N/A	-	-	N/A
315LP/4	PE (IE3)	-	N/A	N/A	-	-	N/A

25 A (P/N 18556010) – IR Relay is rated for 25 Amp motor phase current.

50 A (P/N 18556020) – IR Relay is rated for 50 Amp motor phase current.

N/A – IR Relay option is not available.

*Observe the efficiency law requirements for the country that the motor will be utilized in.*

**NORD Gear Limited**

Toll Free in Canada: 800.668.4378

**NORD Gear Corporation**

Toll Free in the United States: 888.314.6673

08.16.17

[www.nord.com/docs](http://www.nord.com/docs)



# CURRENT SENSING BRAKE RELAY (IR) INSTALLATION & MAINTENANCE



DRIVESYSTEMS

RETAIN FOR FUTURE USE

U35200 - 4 of 5

## IR Relay Typical Connection Diagrams

<p><b>IR101A</b> POWERED FROM MOTOR TERMINAL BLOCK STANDARD-RELEASE FAST STOPPING (DC-SWITCHING) <span style="float: right;">15</span></p> <table border="1"> <thead> <tr> <th>MOTOR</th> <th>RECTIFIER</th> <th>V<sub>motor</sub></th> <th>V<sub>B-AC</sub></th> <th>V<sub>B-DC</sub></th> </tr> </thead> <tbody> <tr> <td>208-230Vr/460V 230Vr/460V</td> <td>GVE20</td> <td>208VAC 230 VAC</td> <td>230 VAC 230 VAC</td> <td>205 VDC 205 VDC</td> </tr> </tbody> </table>	MOTOR	RECTIFIER	V <sub>motor</sub>	V <sub>B-AC</sub>	V <sub>B-DC</sub>	208-230Vr/460V 230Vr/460V	GVE20	208VAC 230 VAC	230 VAC 230 VAC	205 VDC 205 VDC	<p><b>IR101B</b> POWERED FROM MOTOR TERMINAL BLOCK STANDARD-RELEASE FAST STOPPING (DC-SWITCHING) <span style="float: right;">15</span></p> <table border="1"> <thead> <tr> <th>MOTOR</th> <th>RECTIFIER</th> <th>V<sub>motor</sub></th> <th>V<sub>B-AC</sub></th> <th>V<sub>B-DC</sub></th> </tr> </thead> <tbody> <tr> <td>230Vr/460V</td> <td>GVE20</td> <td>460 VAC</td> <td>230 VAC</td> <td>205 VDC</td> </tr> </tbody> </table>	MOTOR	RECTIFIER	V <sub>motor</sub>	V <sub>B-AC</sub>	V <sub>B-DC</sub>	230Vr/460V	GVE20	460 VAC	230 VAC	205 VDC	<p><b>IR102A</b> POWERED FROM MOTOR TERMINAL BLOCK STANDARD-RELEASE FAST STOPPING (DC-SWITCHING) <span style="float: right;">15</span></p> <table border="1"> <thead> <tr> <th>MOTOR</th> <th>RECTIFIER</th> <th>V<sub>motor</sub></th> <th>V<sub>B-AC</sub></th> <th>V<sub>B-DC</sub></th> </tr> </thead> <tbody> <tr> <td>208-230Vr/460V 230Vr/460V</td> <td>GHE40</td> <td>208VAC 230 VAC</td> <td>230 VAC 230 VAC</td> <td>105 VDC 105 VDC</td> </tr> </tbody> </table>	MOTOR	RECTIFIER	V <sub>motor</sub>	V <sub>B-AC</sub>	V <sub>B-DC</sub>	208-230Vr/460V 230Vr/460V	GHE40	208VAC 230 VAC	230 VAC 230 VAC	105 VDC 105 VDC	<p><b>IR102B</b> POWERED FROM MOTOR TERMINAL BLOCK STANDARD-RELEASE FAST STOPPING (DC-SWITCHING) <span style="float: right;">15</span></p> <table border="1"> <thead> <tr> <th>MOTOR</th> <th>RECTIFIER</th> <th>V<sub>motor</sub></th> <th>V<sub>B-AC</sub></th> <th>V<sub>B-DC</sub></th> </tr> </thead> <tbody> <tr> <td>230Vr/460V</td> <td>GHE40</td> <td>460 VAC</td> <td>230 VAC</td> <td>105 VDC</td> </tr> </tbody> </table>	MOTOR	RECTIFIER	V <sub>motor</sub>	V <sub>B-AC</sub>	V <sub>B-DC</sub>	230Vr/460V	GHE40	460 VAC	230 VAC	105 VDC
MOTOR	RECTIFIER	V <sub>motor</sub>	V <sub>B-AC</sub>	V <sub>B-DC</sub>																																							
208-230Vr/460V 230Vr/460V	GVE20	208VAC 230 VAC	230 VAC 230 VAC	205 VDC 205 VDC																																							
MOTOR	RECTIFIER	V <sub>motor</sub>	V <sub>B-AC</sub>	V <sub>B-DC</sub>																																							
230Vr/460V	GVE20	460 VAC	230 VAC	205 VDC																																							
MOTOR	RECTIFIER	V <sub>motor</sub>	V <sub>B-AC</sub>	V <sub>B-DC</sub>																																							
208-230Vr/460V 230Vr/460V	GHE40	208VAC 230 VAC	230 VAC 230 VAC	105 VDC 105 VDC																																							
MOTOR	RECTIFIER	V <sub>motor</sub>	V <sub>B-AC</sub>	V <sub>B-DC</sub>																																							
230Vr/460V	GHE40	460 VAC	230 VAC	105 VDC																																							
<p><b>IR103</b> POWERED FROM MOTOR TERMINAL BLOCK STANDARD-RELEASE FAST STOPPING (DC-SWITCHING) <span style="float: right;">15</span></p> <table border="1"> <thead> <tr> <th>MOTOR</th> <th>RECTIFIER</th> <th>V<sub>motor</sub></th> <th>V<sub>B-AC</sub></th> <th>V<sub>B-DC</sub></th> </tr> </thead> <tbody> <tr> <td>230Vr/460V</td> <td>GHE40</td> <td>460 VAC</td> <td>460VAC</td> <td>205 VDC</td> </tr> </tbody> </table>	MOTOR	RECTIFIER	V <sub>motor</sub>	V <sub>B-AC</sub>	V <sub>B-DC</sub>	230Vr/460V	GHE40	460 VAC	460VAC	205 VDC	<p><b>IR301</b> POWERED FROM MOTOR TERMINAL BLOCK STANDARD-RELEASE FAST STOPPING (DC-SWITCHING) <span style="float: right;">15</span></p> <table border="1"> <thead> <tr> <th>MOTOR</th> <th>RECTIFIER</th> <th>V<sub>motor</sub></th> <th>V<sub>B-AC</sub></th> <th>V<sub>B-DC</sub></th> </tr> </thead> <tbody> <tr> <td>208Δ/360V 230Δ/400V</td> <td>GVE20</td> <td>208 VAC 230 VAC</td> <td>208 VAC 230 VAC</td> <td>180 VDC 205 VDC</td> </tr> </tbody> </table>	MOTOR	RECTIFIER	V <sub>motor</sub>	V <sub>B-AC</sub>	V <sub>B-DC</sub>	208Δ/360V 230Δ/400V	GVE20	208 VAC 230 VAC	208 VAC 230 VAC	180 VDC 205 VDC	<p><b>IR401</b> POWERED FROM MOTOR TERMINAL BLOCK STANDARD-RELEASE FAST STOPPING (DC-SWITCHING) <span style="float: right;">15</span></p> <table border="1"> <thead> <tr> <th>MOTOR</th> <th>RECTIFIER</th> <th>V<sub>motor</sub></th> <th>V<sub>B-AC</sub></th> <th>V<sub>B-DC</sub></th> </tr> </thead> <tbody> <tr> <td>460Δ/800V</td> <td>GHE40</td> <td>460 VAC</td> <td>460 VAC</td> <td>205 VDC</td> </tr> </tbody> </table>	MOTOR	RECTIFIER	V <sub>motor</sub>	V <sub>B-AC</sub>	V <sub>B-DC</sub>	460Δ/800V	GHE40	460 VAC	460 VAC	205 VDC	<p><b>IR501</b> POWERED FROM MOTOR TERMINAL BLOCK STANDARD-RELEASE FAST STOPPING (DC-SWITCHING) <span style="float: right;">15</span></p> <table border="1"> <thead> <tr> <th>MOTOR</th> <th>RECTIFIER</th> <th>V<sub>motor</sub></th> <th>V<sub>B-AC</sub></th> <th>V<sub>B-DC</sub></th> </tr> </thead> <tbody> <tr> <td>332Δ/575V</td> <td>GHE50</td> <td>575 VAC</td> <td>575 VAC</td> <td>250 VDC</td> </tr> </tbody> </table>	MOTOR	RECTIFIER	V <sub>motor</sub>	V <sub>B-AC</sub>	V <sub>B-DC</sub>	332Δ/575V	GHE50	575 VAC	575 VAC	250 VDC
MOTOR	RECTIFIER	V <sub>motor</sub>	V <sub>B-AC</sub>	V <sub>B-DC</sub>																																							
230Vr/460V	GHE40	460 VAC	460VAC	205 VDC																																							
MOTOR	RECTIFIER	V <sub>motor</sub>	V <sub>B-AC</sub>	V <sub>B-DC</sub>																																							
208Δ/360V 230Δ/400V	GVE20	208 VAC 230 VAC	208 VAC 230 VAC	180 VDC 205 VDC																																							
MOTOR	RECTIFIER	V <sub>motor</sub>	V <sub>B-AC</sub>	V <sub>B-DC</sub>																																							
460Δ/800V	GHE40	460 VAC	460 VAC	205 VDC																																							
MOTOR	RECTIFIER	V <sub>motor</sub>	V <sub>B-AC</sub>	V <sub>B-DC</sub>																																							
332Δ/575V	GHE50	575 VAC	575 VAC	250 VDC																																							
<p><b>IR601</b> POWERED FROM MOTOR TERMINAL BLOCK STANDARD-RELEASE FAST STOPPING (DC-SWITCHING) <span style="float: right;">15</span></p> <table border="1"> <thead> <tr> <th>MOTOR</th> <th>RECTIFIER</th> <th>V<sub>motor</sub></th> <th>V<sub>B-AC</sub></th> <th>V<sub>B-DC</sub></th> </tr> </thead> <tbody> <tr> <td>230Δ/400V 230Δ/400V</td> <td>GVE20 GHE40</td> <td>400 VAC 400 VAC</td> <td>230 VAC 230 VAC</td> <td>205 VDC 105 VDC</td> </tr> </tbody> </table>	MOTOR	RECTIFIER	V <sub>motor</sub>	V <sub>B-AC</sub>	V <sub>B-DC</sub>	230Δ/400V 230Δ/400V	GVE20 GHE40	400 VAC 400 VAC	230 VAC 230 VAC	205 VDC 105 VDC	<p><b>IR602</b> POWERED FROM MOTOR TERMINAL BLOCK STANDARD-RELEASE FAST STOPPING (DC-SWITCHING) <span style="float: right;">15</span></p> <table border="1"> <thead> <tr> <th>MOTOR</th> <th>RECTIFIER</th> <th>V<sub>motor</sub></th> <th>V<sub>B-AC</sub></th> <th>V<sub>B-DC</sub></th> </tr> </thead> <tbody> <tr> <td>400Δ/690V</td> <td>GHE40</td> <td>400 VAC</td> <td>400 VAC</td> <td>180 VDC</td> </tr> </tbody> </table>	MOTOR	RECTIFIER	V <sub>motor</sub>	V <sub>B-AC</sub>	V <sub>B-DC</sub>	400Δ/690V	GHE40	400 VAC	400 VAC	180 VDC	<div style="text-align: center;"> <p><b>IMPORTANT NOTE</b></p> <p><b>Requirements</b></p> <ul style="list-style-type: none"> <li>• Brake must be powered from the motor's terminal block (not separately powered)</li> <li>• Motor must be a single speed and should not be powered by a frequency inverter or soft starter.</li> </ul> </div>																					
MOTOR	RECTIFIER	V <sub>motor</sub>	V <sub>B-AC</sub>	V <sub>B-DC</sub>																																							
230Δ/400V 230Δ/400V	GVE20 GHE40	400 VAC 400 VAC	230 VAC 230 VAC	205 VDC 105 VDC																																							
MOTOR	RECTIFIER	V <sub>motor</sub>	V <sub>B-AC</sub>	V <sub>B-DC</sub>																																							
400Δ/690V	GHE40	400 VAC	400 VAC	180 VDC																																							

= Braking Method

**NORD Gear Limited**  
Toll Free in Canada: 800.668.4378

**NORD Gear Corporation**  
Toll Free in the United States: 888.314.6673

08.16.17

www.nord.com/docs



# CURRENT SENSING BRAKE RELAY (IR) INSTALLATION & MAINTENANCE



DRIVESYSTEMS

RETAIN FOR FUTURE USE

U35200 - 5 of 5

## IR Relay with GUE40V Dual Wave Rectifier

IR701A POWERED FROM MOTOR TERMINAL BLOCK STANDARD-RELEASE FAST STOPPING (DC-SWITCHING) 15					IR701B POWERED FROM MOTOR TERMINAL BLOCK STANDARD-RELEASE FAST STOPPING (DC-SWITCHING) 15					IR702A POWERED FROM MOTOR TERMINAL BLOCK STANDARD-RELEASE FAST STOPPING (DC-SWITCHING) 15					IR702B POWERED FROM MOTOR TERMINAL BLOCK STANDARD-RELEASE FAST STOPPING (DC-SWITCHING) 15				
MOTOR	RECTIFIER	V <sub>motor</sub>	V <sub>B-AC</sub>	V <sub>B-DC</sub>	MOTOR	RECTIFIER	V <sub>motor</sub>	V <sub>B-AC</sub>	V <sub>B-DC</sub>	MOTOR	RECTIFIER	V <sub>motor</sub>	V <sub>B-AC</sub>	V <sub>B-DC</sub>	MOTOR	RECTIFIER	V <sub>motor</sub>	V <sub>B-AC</sub>	V <sub>B-DC</sub>
208-230m/460v	GUE40V	208 VAC	230 VAC	205 VDC	208-230m/460v	GUE40V	460 VAC	460 VAC	205 VDC	208Δ/360v	GUE40V	208 VAC	208 VAC	180 VDC	230Δ/400v	GUE40V	400 VAC	400 VAC	180 VDC
230rr/460v	GUE40V	230 VAC	230 VAC	205 VDC	230rr/460v	GUE40V	460 VAC	460 VAC	205 VDC	230Δ/400v	GUE40V	230 VAC	230 VAC	205 VDC					

## GPE Rectifier for External DC-Switching with IR Relay

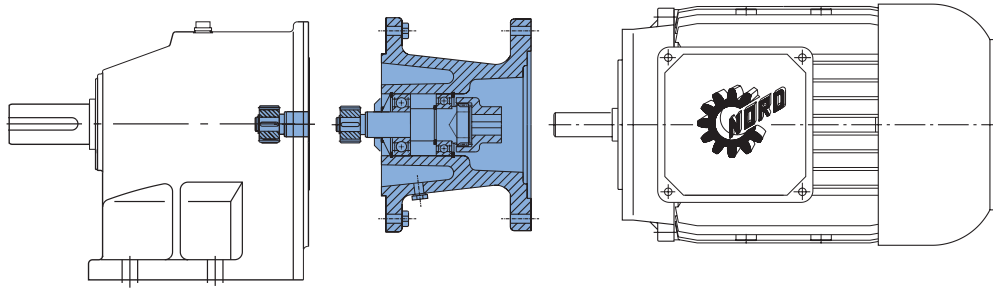
IR151A POWERED FROM MOTOR TERMINAL BLOCK FAST RELEASE (OVER EXCITATION) FAST STOPPING (DC-SWITCHING) 35					IR151B POWERED FROM MOTOR TERMINAL BLOCK STANDARD-RELEASE FAST STOPPING (DC-SWITCHING) 35					IR152A POWERED FROM MOTOR TERMINAL BLOCK STANDARD-RELEASE VERY FAST STOPPING (REDUCED POWER HOLD) 40					IR152B POWERED FROM MOTOR TERMINAL BLOCK STANDARD-RELEASE VERY FAST STOPPING (REDUCED POWER HOLD) 40				
MOTOR	RECTIFIER	V <sub>motor</sub>	V <sub>B-AC</sub>	V <sub>B-DC</sub>	MOTOR	RECTIFIER	V <sub>motor</sub>	V <sub>B-AC</sub>	V <sub>B-DC</sub>	MOTOR	RECTIFIER	V <sub>motor</sub>	V <sub>B-AC</sub>	V <sub>B-DC</sub>	MOTOR	RECTIFIER	V <sub>motor</sub>	V <sub>B-AC</sub>	V <sub>B-DC</sub>
230rr/460v	GPE20L	230 VAC	230 VAC	105 VDC	230rr/460v	GPE20L	460 VAC	230 VAC	105 VDC	230rr/460v	GPE20L	230 VAC	230 VAC	205 VDC	230rr/460v	GPE20L	460 VAC	230 VAC	205 VDC

**IMPORTANT NOTE**

**Requirements**

- Brake must be powered from the motor's terminal block (not separately powered)
- Motor must be a single speed and should not be powered by a frequency inverter or soft starter.

= Braking Method



## WARNING

While working on the gear drive system, make sure the power from the prime mover is isolated or secured on "lock-out" to prevent accidental start-up and to safeguard against injury!

### NEMA/ IEC Motor Adapters

Motor adapters allow for easy installation and removal of industry standard motors. Motor adapters consist of a coupling and an adapter housing that connects the motor to the gear reducer.

NORD Gear supplies a coupling that is to be mounted on the motor shaft. It is important that the coupling is properly positioned.

- For NEMA Input Adapters, follow the Motor Installation Instructions on pages 3-4.
- For IEC Input Adapters, the supplied coupling will mount directly against the motor shaft shoulder. No locating measurements need to be taken.



### IMPORTANT NOTE

Some of the larger IEC inputs will have a coupling spacer included to help locate the coupling. Slide the spacer against the motor shaft shoulder, slide the coupling against the spacer and tighten set screw(s).



### IMPORTANT NOTE

For the larger motor adapters (IEC160 / N250TC and larger), an Automatic Lubricator is supplied. This will need to be activated at the time of startup. For operation and activation instructions, refer to user manual U45200.

### NEMA/IEC Motor Weight Limits

When mounting a motor to a NORD NEMA C-face motor adapter it is important to consider the motor's weight. Following is a table that includes the maximum motor weight the NEMA adapter can support. If the motor exceeds the listed weight it must be externally supported. When a C-face mounted motor is externally supported care must be taken to ensure that the support system does not impose additional pre-loads on the NEMA motor adapter.

#### NEMA Motor Weight Limit

Motor FRAME	56C	143TC	145TC	182TC	184TC	210TC
Max Weight [lb]	66	88	110	130	175	220
Motor FRAME	250TC	280TC	324TC	326TC	365TC	
Max Weight [lb]	440	550	770	1100	1540	

#### IEC Motor Weight Limit

Motor FRAME	63	71	80	90	100	112	132
Max Weight [lb]	55	66	88	110	130	175	220
Motor FRAME	160	180	200	225	250	280	315
Max Weight [lb]	440	550	770	1100	1540	1540	3300

### Couplings

Couplings are made with tough abrasion resistant materials, which resist most chemicals and petroleum products. They are electrically isolated (prevent metal to metal contact) and require no lubrication or maintenance. Depending upon the size of the C-face input, NORD provides either a gear or a jaw type coupling.

NORD supplies three different types of couplings depending on the size of input: "J" style, "M" style and "Jaw" style coupling. Following are instructions on how to properly mount each type of coupling onto the motor.





# NEMA/IEC/SERVO INPUT ADAPTERS & THEIR COUPLINGS



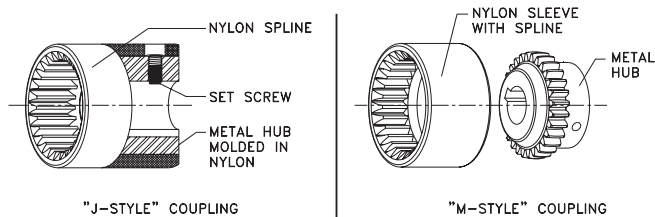
## Couplings for the NEMA and IEC Adapters

Depending on the size of the input adapter to the gearbox, NORD Gear supplies two styles of couplings - BoWex® (gear tooth) and Rotex® (jaw) couplings.

### BoWex® Couplings

NORD C-face adapter input shafts have a machined spline on the end. NORD incorporates two styles of BoWex® couplings, the "J" and "M" styles. The "J" style is a one-piece coupling with a metal hub and nylon spline. The "M" style is a two-piece coupling – the metal hub and a nylon sleeve. Nylon and steel components allow them to operate in high ambient temperatures without lubrication or maintenance.

- Nylon sleeves resist dirt, moisture, most chemicals and petroleum products
- No lubrication required
- Operating Conditions: -22°F - 212°F (-30°C - 100°C)
- Higher temperature coupling sleeve available up to 250°F (120°C)
- Special bore available



### BoWex® Couplings Mechanical Ratings "J" Style (NEMA & IEC)

Coupling Type	Rated Torque		Input Adapter Sizes	Bore Size
	Cont.	Peak		
BoWex® J14	44.3 lb-in 5 N-m	88.5 lb-in 10 N-m	N56C IEC63, IEC71	5/8" 11mm, 14mm
BoWex® J24	106 lb-in 12 N-m	212 lb-in 24 N-m	N56C, N140TC IEC80, IEC90	5/8", 7/8" 19mm, 24mm
BoWex® J28	398 lb-in 45 N-m	1,195 lb-in 135 N-m	N180TC IEC100, IEC112	1-1/8" 28mm

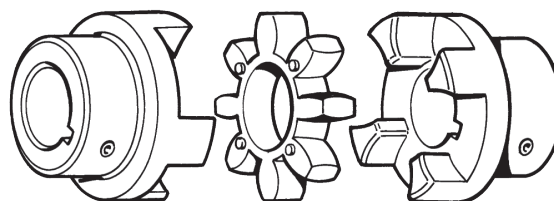
### BoWex® Couplings Mechanical Ratings "M" Style (NEMA & IEC)

Coupling Type	Rated Torque		Input Adapter Sizes	Bore Size
	Cont.	Peak		
BoWex® M38	708 lb-in 80 N-m	2,124 lb-in 240 N-m	N180TC, N210TC IEC132	1-1/8", 1-3/8" 38 mm
BoWex® M42	885 lb-in 100 N-m	2,655 lb-in 300 N-m	N250TC IEC160	1-5/8" 42 mm
BoWex® M48	1,239 lb-in 140 N-m	3,717 lb-in 420 N-m	N280TC IEC180	1-7/8" 48 mm

## Rotex® Couplings

The cast iron jaw type couplings have an integral urethane "spider" that provides smooth transmission of the motor torque. A set screw on the coupling prohibits axial movement along the motor shaft.

- Excellent shock and vibration dampening
- Excellent resistance to oils and most chemicals
- No metal-to-metal contact
- Operating Conditions: -22°F - 195°F (-30°C - 90°C)
- Higher temperature material (HytreI) spider available up to 230°F (110°C)
- Low temperature materials available upon request
- Special bores available



### Rotex® Couplings Mechanical Ratings "R" Style (NEMA & IEC)

Coupling Type	Rated Torque		Input Adapter Sizes	Bore Size
	Cont.	Peak		
Rotex® R65	5,532 lb-in 625 N-m	11,063 lb-in 1,250 N-m	N320TC IEC200, IEC225	2-3/8" 55mm, 60mm
Rotex® R90	21,242 lb-in 2400 N-m	42,484 lb-in 4800 N-m	N360TC IEC250, 280, 315	1-5/8" 65, 70, 80 mm

## Couplings for Servo Adapters

NORD Gear supplies Rotex® (jaw) couplings for SERVO adapter connections.

### Rotex® Couplings Mechanical Ratings (Servo Adapter)

Coupling Type	Rated Torque		Input Adapter Sizes	Reducer Input Flange	Bore Size
	Cont.	Peak			
Rotex® R19 GS	150 lb-in 17 Nm	301 lb-in 34 Nm	-SEP100, -SEK100	160S	19 mm
Rotex® R24 GS	531 lb-in 60 Nm	1062 lb-in 120 Nm	-SEP130, -SEK130	160S, 250S	24 mm
Rotex® R28 GS	1416 lb-in 160 Nm	2832 lb-in 320 Nm	-SEP165, -SEK165,	160S, 250S	32 mm
			-SEP215, -SEK215	250S	38 mm
Rotex® R48 GS	4647 lb-in 525 Nm	9293 lb-in 1050 Nm	-SEP215, -SEK215	300S	38 mm
			-SEP300, -SEK300	300S	48 mm
			-SEP300, -SEK300	350	

SEP adapter couplings are for keyed motor shafts.

SEK adapter couplings are clamping style for shafts without key. Alternate bores upon request.

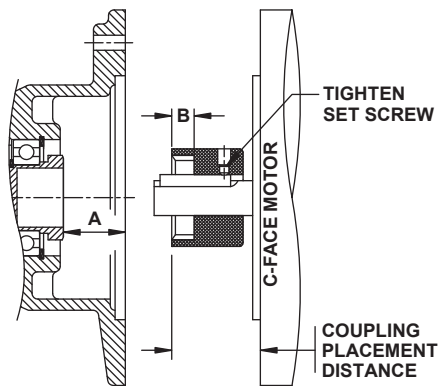


# NEMA/IEC/SERVO INPUT ADAPTERS & THEIR COUPLINGS



## "J" Style Coupling NEMA C-face Motor Installation

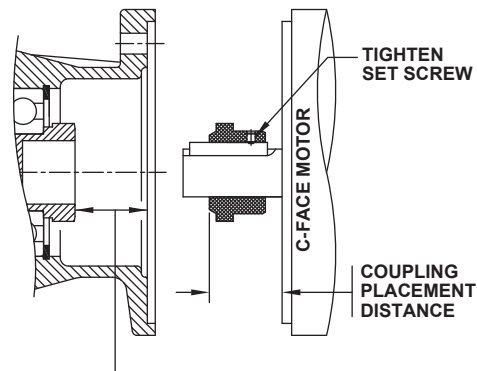
1. Measure the distance from the face of the input adapter to the face of the splined shaft and record that measurement as "A" in the equation below.
2. Measure depth of coupling engagement zone and record the measurement as "B" in the equation below.
3. Add "A" + "B" and subtract 0.08" (~2mm) from the distance. This needs to be done so that the coupling will not be preloaded after installation!
4. Use that measurement to locate the coupling from the face of the motor onto the shaft.
5. Once in place, tighten the set screw to lock the coupling in place. It is recommended that the key is staked or bonded (Loctite) in place to prohibit the key from vibrating out.
6. Mount the motor onto the input adapter with customer supplied bolts. Make sure that the coupling from the adapter and the motor engage securely. Use lock washers or Loctite to prohibit bolts from becoming loose from vibration.



MEASURED DISTANCES	SUBTRACT DISTANCE	COUPLING PLACEMENT DISTANCE
A + B	- 0.080" (2mm) =	
+		
<hr/>		

## "M" Style Coupling NEMA C-face Motor Installation

1. Measure the distance from the face of the input adapter to the face of the splined shaft & record that measurement.
2. Subtract 0.31" (~8mm) from the distance. This needs to be done so that the coupling will not be preloaded after installation!
3. Use that measurement to locate the coupling from the face of the motor onto the shaft.
4. Once in place, tighten the set screw to lock the coupling in place. It is recommended that the key is staked or bonded (Loctite) in place to prohibit the key from vibrating out.
5. Mount the motor onto the input adapter with customer supplied bolts. Make sure that the coupling from the adapter and the motor engage securely. Use lock washers or Loctite to prohibit bolts from becoming loose from vibration.



MEASURED DISTANCE	SUBTRACT DISTANCE	COUPLING PLACEMENT DISTANCE
	- 0.310" (8mm) =	
<hr/>		

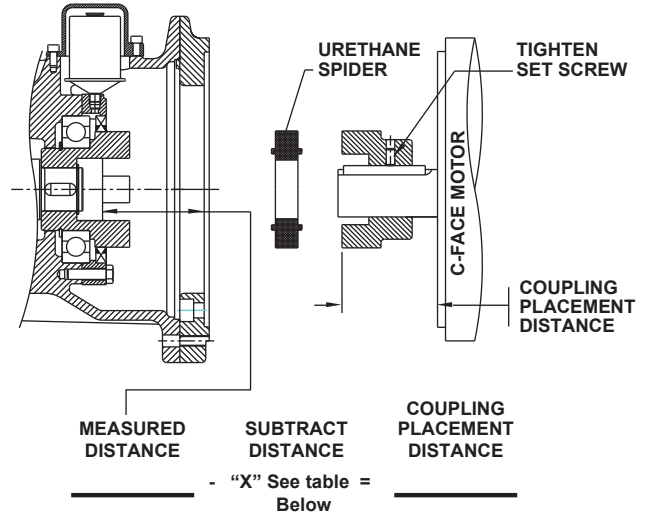


# NEMA/IEC/SERVO INPUT ADAPTERS & THEIR COUPLINGS



## “Jaw” Style Coupling NEMA C-face Installation

1. Measure the distance from the face of the input adapter to the face of the coupling as shown and record that measurement.
2. Subtract the “X” dimension from the measured distance. This needs to be done so that the coupling will not be preloaded after installation!
3. Use that measurement to locate the coupling from the face of the motor onto the shaft.
4. The metal portion of the coupling should be heated up prior to assembly, generally 250°F to 300°F (120°C to 150°C).



**i** **IMPORTANT NOTE**

DO NOT HEAT THE URETHANE SPIDER.

5. Once in place, tighten the setscrew to lock coupling in place. Let the coupling cool down before placing the spider into the jaws. It is recommended that the key is staked or bonded (Loctite) in place to prohibit the key from vibrating out.
6. Mount the motor onto the input adapter with customer supplied bolts. Make sure that the coupling from the adapter and the motor engage securely. Use lock washers or Loctite to prohibit bolts from becoming loose from vibration.

Coupling Size	“X” (Subtract this value from measured distance)
R14	0.06" (1.5 mm)
R19 & R24	0.08" (2.0 mm)
R28	0.10" (2.5 mm)
R38 & 42	0.12" (3.0 mm)
R48	0.14" (3.5 mm)
R65	0.18" (4.5 mm)
R90	0.22" (5.5 mm)



# NEMA/IEC/SERVO INPUT ADAPTERS & THEIR COUPLINGS

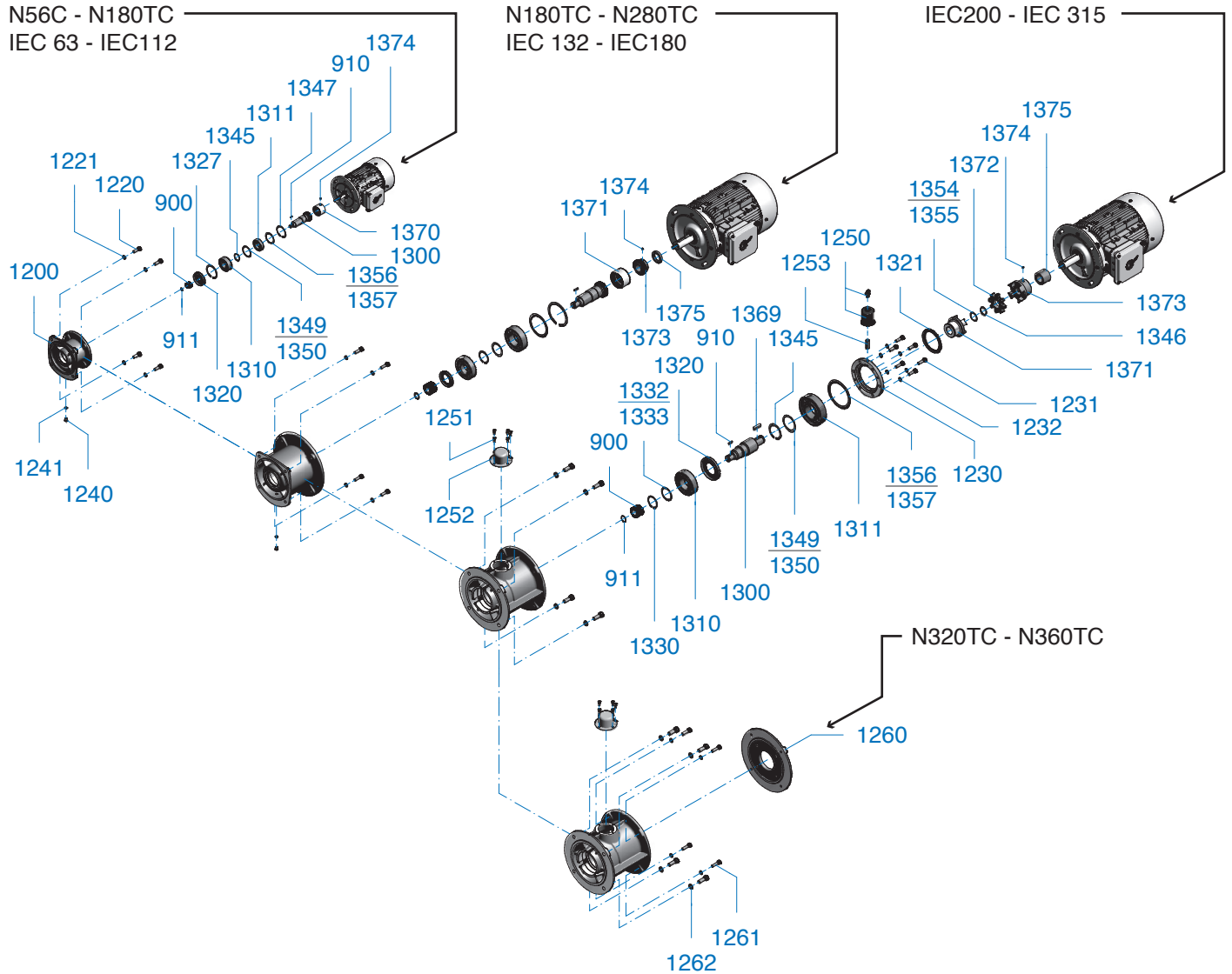


DRIVESYSTEMS

RETAIN FOR FUTURE USE

U45100 - 5 of 6

IEC 63-112 / IEC132-180 / IEC 160-315 & NEMA 56C-180TC, NEMA 180TC-N280TC, NEMA 320TC-360TC



## NEMA/IEC Parts List

900	Drive pinion	1231	Screw	1305	Parallel key	1332	Shim
910	Parallel key	1232	Spring lock washer	1310	Bearing	1333	Shim
911	Circlip	1234	Shim	1311	Bearing	1345	Circlip
1200	Housing	1235	Shim	1312	Bearing	1346	Circlip
1210	Gasket	1240	Screw	1320	Radial packing ring	1348	Support disc
1220	Screw	1241	Gasket	1321	Radial packing ring	1356	Shim
1221	Spring lock washer	1245	Lubricating nipple	1330	Circlip	1357	Shim
1230	Lid	1300	Drive Shaft	1331	Circlip	1380	Gamma ring

**NORD Gear Limited**

Toll Free in Canada: 800.668.4378

**NORD Gear Corporation**

Toll Free in the United States: 888.314.6673



# NEMA/IEC/SERVO INPUT ADAPTERS & THEIR COUPLINGS

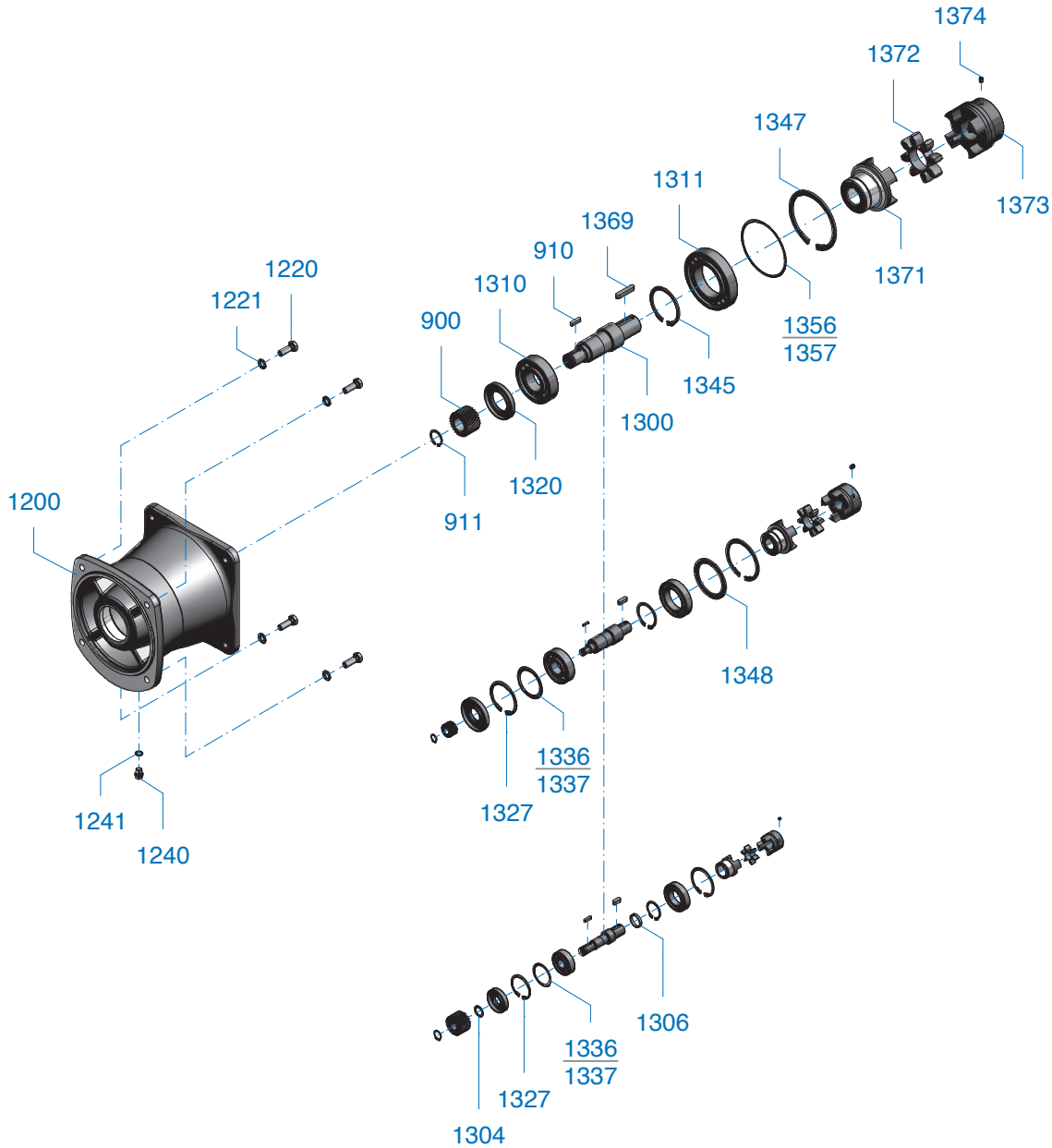


DRIVESYSTEMS

RETAIN FOR FUTURE USE

U45100 - 6 of 6

SERVO SEP/SEK 100, SEP/SEK 130, SEP/SEK 165, SEP/SEK 215, SEP/SEK 300



## SERVO Parts List

900	Drive pinion	1241	Gasket	1327	Circlip	1357	Shim
910	Parallel key	1300	Drive Shaft	1336	Shim	1369	Parallel key
911	Circlip	1304	Support disc	1337	Shim	1371	Coupling half
1200	Housing	1306	Support disc	1345	Circlip	1372	Ring gear
1220	Screw	1310	Bearing	1347	Circlip	1373	Half-coupling
1221	Spring lock washer	1311	Bearing	1348	Support disc	1374	Screw
1240	Screw	1320	Radial packing ring	1356	Shim		

**NORD Gear Limited**

Toll Free in Canada: 800.668.4378

**NORD Gear Corporation**

Toll Free in the United States: 888.314.6673

## Automatic Lubricator

Some NORD gear units with NEMA (or IEC) adapters ranging in size from N250TC-N400TC (or IEC160-IEC315) are supplied with a factory-installed, field-activated, PERMA® Classic Automatic Lubrication Cartridge. The automatic lubricator is used to dispense lubricant to the outer most roller bearing of the input NEMA (or IEC) input assembly. The lubrication cartridge must be activated prior to commissioning the gear unit. (Figures 1 & 2)

Some newer versions of the NEMA (or IEC) adapters also include a grease purge. The grease purge area is sealed for transportation; however, it is recommended that the G1/4 sealing screw be removed and that the grease collection container provided by NORD be installed just prior to activating the automatic lubricant dispenser. (Figure 3)

## Principle of Operation

First the activation screw is threaded into the lubrication canister. Then the ring-eyelet on top of the activation screw is tightened until its breaking point. This causes a zinc-molybdenum gas generator to drop into a citric acid liquid electrolyte, which is contained within an elastic bladder. An electrochemical reaction slowly releases small amounts of hydrogen gas and gradually pressurizes the bladder, pushing the piston towards the lubrication chamber.

Grease is continuously injected into the lubrication point until the bearing cavity is full. Any back pressure from the bearing will cause the system to neutralize. The bladder inside the canister will continue to slowly build pressure so that once the equipment resumes normal operation; the lubricator will also resume its normal function.

The lubricator contains approximately 120 cm<sup>3</sup> or 120 ml (4.8 oz) of grease. For reference, a single stroke of a typical grease gun delivers approximately 1.0-1.2 cm<sup>3</sup> (0.03-0.04 oz) of grease. This means the canister contains approximately 100 strokes of grease. See Figure 1 for a detailed view of the PERMA® Lubricator.

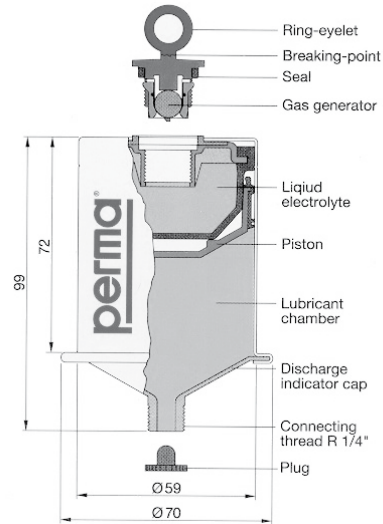


Figure 1 - PERMA® Automatic Lubrication Canister

### NOTICE

- To prevent premature bearing failure, the lubrication dispenser must be activated prior to commissioning the gear reducer.
- The lubricator must only be used once and should never be opened or taken apart or permanent damage will result.
- Never unscrew the PERMA® canister from the lubrication point after activation or during the discharge period. This would cause a permanent pressure loss in the lubricator and would justify replacing the lubricator.



### WARNING

- Avoid swallowing the gas generator, the liquid electrolyte, and the lubricant.
- Avoid contact of, the liquid electrolyte, and the lubricant with the eyes, skin or clothing.
- Observe all applicable MSDS sheets.
- Follow applicable local laws and regulations concerning waste disposal.

## PERMA® Automatic Lubricator Options Supplied by NORD

NORD Part Number	28301000	28301010
Lubrication Option	Synthetic (standard)	Food Grade (optional)
PERMA® Classic Temperature Range ♦	0 to 40 °C (32 to 104 °F)	0 to 40 °C (32 to 104 °F)
Lubrication Volume	120 cm <sup>3</sup> or 120 ml (4.8 oz)	120 cm <sup>3</sup> or 120 ml (4.8 oz)
Grease Lubrication Mfg. / Type	Klüber / Petamo GHY 133	Lubriplate / FGL1
Lubrication Temperature Range ♦	-30 to 120 °C (-22 to 248 °F)	-18 to 120 °C (0 to 248 °F)

♦ The temperature range values shown do not apply to other components and/or lubricants within the gear reducer.



## Lubricator Service Interval

The Automatic lubricator should be inspected approximately every 6 months. At the end of the lubrication period the piston becomes clearly visible through the clear nylon discharge indicator cap located at the bottom of the PERMA® canister (Figure 1); this helps indicate that the lubricant has been fully discharged at which time the lubricator should be replaced. When operating the gear unit 8 hours/day or less a replacement interval of 12 months or 1 year is possible. Ambient temperature will influence the discharge rate and may extend or shorten the replacement interval.

## Ambient Considerations

The grease discharge rate is affected by the ambient temperature. PERMA® indicates that the lubricator contents will dispense for a 12 month period when the average temperature is 20 °C (68 °F). Grease dispensing rates depend primarily on average ambient conditions and not extreme highs and lows. Lower ambient temperatures will lead to slower dispensing rates and higher ambient temperatures will lead to faster dispensing rates.

Average Ambient Temperature	Discharge Period Months ♦
0 °C (32 °F)	>18
10 °C (50 °F)	18
20 °C (68 °F)	12
30 °C (86 °F)	6
40 °C (104 °F)	3

♦ Values are approximate.

Discharge can also be influenced by type of lubricant, vibration, and by the mating connecting parts in the lubrication system.

## Activating the Automatic Lubricator

- Loosen and remove the M8x16 assembly socket head cap screws (1251).
- Carefully remove the protective cover (1252) installed over the automatic lubricator (1250-1).
- Screw the activation screw (1250-2) into the automatic lubricator (1250-1) and twist the ring-eyelet until it reaches its breaking point.
- Re-fit the cartridge cover (1250-1) and re-install and tighten the assembly screws (1251).
- Mark the activation date on the adhesive label that is provided.

Figure 2 - Activating the Automatic Lubricator

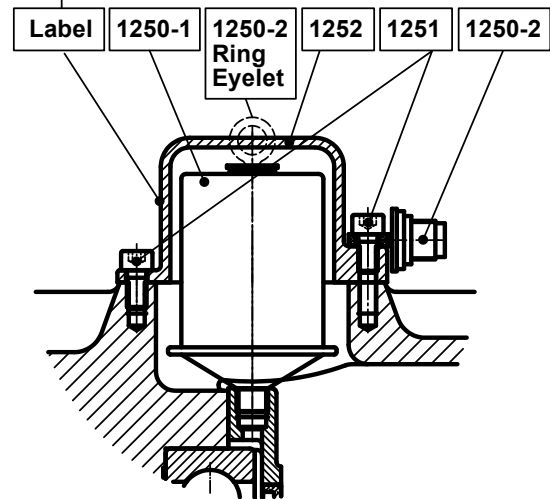
**Attention!**

Screw in the activation screw until the lug breaks off before commissioning the gear unit.

Dispensing time: 12 Months

**Activation Date**

Month	Year
1 2 3 4 5 6 7 8 9 10 11 12	11 12 13 14 15



- 1250-1 Automatic Lubricator
- 1250-2 Activation Screw
- 1251 Socket Head Cap Screws
- 1252 Protective Cover

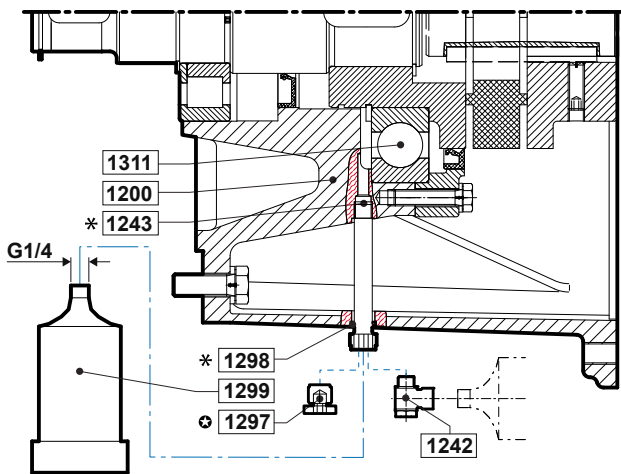
## Grease Purge and Grease Drain Cup

Some versions of the NEMA (or IEC) adapters also include a grease purge and a grease drain cup (1299) for collecting old grease. The grease purge area is sealed for transportation.

It is recommended that the G1/4 sealing screw (1297) be removed and that the grease drain cup be installed after the automatic lubricant dispenser is activated.

The swivel fitting (1242) that NORD supplies allows the grease cup to be positioned at a 90° angle from its typical mounting. The swivel fitting allows the grease cup to be rotated so that it remains clear of any gear unit mounting obstructions.

**Figure 3 – Grease Purge and Grease Cup Assembly**



<b>1200</b>	NEMA or IEC Input Cylinder
<b>1242</b>	Swivel Fitting (P/N 22006359)
<b>1243</b>	Extension*
<b>1297</b>	Screw Plug ⚙
<b>1298</b>	Seal Ring*
<b>1299</b>	Grease Drain Cup (P/N 28301210)
<b>1311</b>	Bearing

\* Supplied on certain input assembly sizes as needed.

⚙ Remove the screw plug to install either the grease drain cup or the swivel fitting with the grease drain cup.

## Grease Cup Servicing

NORD suggests that with every second replacement of the automatic lubricator, the grease collection cup (NORD Part No. 28301210) should be emptied or replaced with a new one. Follow the steps below to service the grease cup.

1. Unscrew the grease drain cup (1299) from either the outlet port of the NEMA or IEC input cylinder or from the extension (1243) that is secured to the NEMA or IEC input cylinder.
2. To empty the grease drain cup (1299) insert a stiff rod through the hole in the grey cap-end of the drain cup and push the internal plunger towards the thread-end of the drain cup. Please note that the dark gray end cap is bonded into place and cannot be removed.
3. Collect and properly dispose of the grease being pushed out of the drain cup. Due to the design of the container a residual amount of grease may remain in the container.
4. After emptying and cleaning the grease cup it can be fitted back onto the grease outlet port of the NEMA or IEC adaptor.
5. In the event the grease cup becomes damaged or it should be replaced with a new container. Consider replacing the grease cup (P/N 28301210) with every second replacement of the automatic lubricator.

## Replacing the Automatic Lubricator

A new automatic lubricator can be ordered from NORD by specifying the appropriate Part Number from the table at the bottom of Page 1 of this manual. Reference Figure 2 and follow the steps below to replace the automatic lubricator.

1. Loosen and remove the M8x16 socket head cap screws (1251) holding the protective cover (1252) in place.
2. Unscrew the automatic lubricator (1250-1) from the bearing cover area of the NEMA or IEC input cylinder.
3. Install the new automatic lubricator and activate per the instructions on page 2.
4. Re-install the protective cover (1252) and the assembly screws (1251).
5. Note the activation date of the newly installed automatic lubricator



# NEMA OR IEC INPUT ADAPTER WITH GREASE FITTING



DRIVESYSTEMS

RETAIN FOR FUTURE USE

U45255 - 1 of 1

## Application

NORD gear units listed in the table below that are supplied with a NEMA 250TC or IEC 160 and larger input adapter, may be supplied with an external grease fitting. The grease fitting allows the user to service the outboard bearing of the reducer's input assembly

<b>Helical Inline</b>	SK62, SK72, SK73, SK82, SK83, SK92, SK93, SK102 and SK103
<b>Parallel-Shaft CLINCHER™</b>	SK6282, SK7282, SK7382, SK8282, SK8382, SK9282, SK9382, SK10282, SK10382, SK11282, SK11382 & SK12382
<b>90.1 Series Helical-Bevel</b>	SK9072.1, SK9082.1, SK9086.1, SK9092.1 & SK9096.1

The grease fitting is an option which must be specified upon ordering, otherwise NORD will normally supply a PERMA Automatic Lubricator (See User Manual U45250).

## Factory Supplied Grease

The bearing grease applied at the factory is as follows:

<b>Brand</b>	Mobil Polyrex EP 2
<b>Thickener</b>	Polyurea
<b>NLGI Grade</b>	2
<b>Temperature Range</b>	40°C to 120°C (-40°F to 250°F)



### IMPORTANT NOTE

It is the user's responsibility to ensure that if replacement grease is used, that it is fully compatible with the factory supplied grease.

## Service Instructions



### WARNING

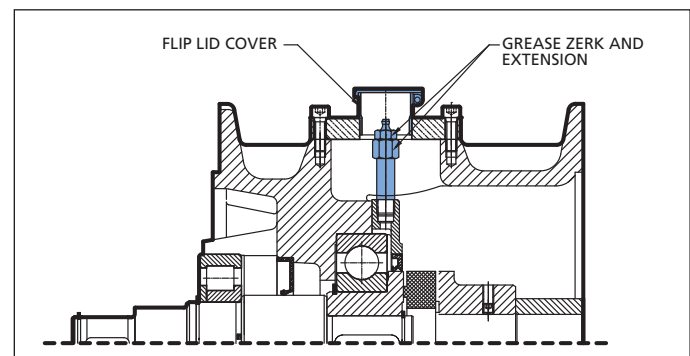
- While working on the gear drive system, make sure the power from the prime mover is isolated or secured on "lock-out" to prevent accidental start-up and to safeguard against injury!
- Surfaces of motors and gear units may become hot during operation or shortly after start-up. In some instances additional protection against accidental contact may be necessary. Use caution to avoid burns or serious injury!

1. It is best to re-grease the bearing within a short period after the gear unit was operational because the old grease will be more viscous and will flow easier.
2. Ensure that the grease gun contains the right lubricant for the bearing to be re-greased.
3. Open the protective flip cover and clean the areas around the grease fitting to ensure that contaminants are not introduced into the bearing cavity.
4. Using a grease gun, apply 0.75 ounces (20-25 grams) of compatible bearing grease every 1,000 service hours.



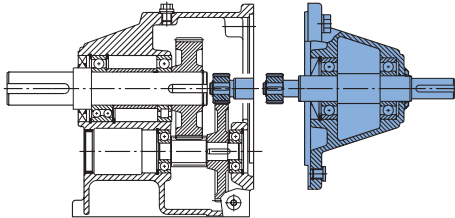
### IMPORTANT NOTE

Re-greasing should be carried out while the bearing is still warm from operation and/or while rotating (if it is safe).



## 1. Solid Input Shaft (W)

The shaft will be inch or metric, depending on how the unit was ordered. Measure and verify the shaft before mounting anything on the shaft. Below are the tolerances used for the solid shafts.



## 2. Solid shaft diameter tolerance

Reducer input shaft extensions have a diameter tolerance as specified in Table 1.

Table 1: Solid Shaft Diameter Tolerance

Above ø (in)	To & Including ø (in)	Tolerance (in)	
0.375	1.750	+0.0000 / -0.0005	
1.750	2.750	+0.0000 / -0.0010	

Above ø (mm)	To & Including ø (mm)	Tolerance (mm)	ISO 286-2 Fit Class
10	18	+0.012 / +0.001	k6
18	30	+0.015 / +0.002	k6
30	50	+0.018 / +0.002	k6
50	70	+0.030 / +0.011	m6

## 3. Fitting drive elements onto the reducer solid shaft

Solid input shaft extensions are provided with a drill and tap feature as indicated in Table 2. When installing drive elements such as coupling hubs, pulleys, sprockets, or gears, NORD recommends using the threaded hole in the end of the shaft, along with a suitable assembly device fitted into the threaded hole.

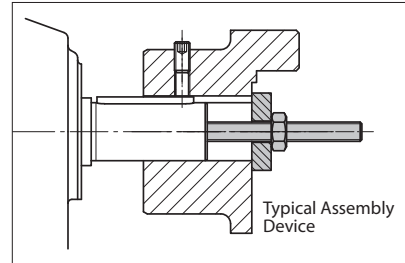


Table 2: Solid Input Shaft End - Threaded Holes

Above ø (in)	To & Including ø (in)	Tap size & Depth (in)
0.375	0.500	10-24 x 0.43 in
0.500	0.875	1/4-20 x 0.59 in
0.875	0.938	5/16-18 x 0.71 in
0.938	1.100	3/8-16 x 0.87 in
1.100	1.300	1/2-13 x 1.10 in
1.300	1.875	5/8-11 x 1.42 in
1.875	2.750	3/4-10 x 1.73 in

Above ø (mm)	To & Including ø (mm)	Tap Size & Depth (mm)
10	13	M4 x 10 mm
13	16	M5 x 12.5 mm
16	21	M6 x 16 mm
21	24	M8 x 19 mm
24	30	M10 x 22 mm
30	38	M12 x 28 mm
38	50	M16 x 36 mm
50	70	M20 x 42 mm

### NOTICE

**DO NOT DRIVE** or **HAMMER** the coupling hub, pulley, sprocket, or gear into place. An endwise blow to the reducer shaft can generate damaging axial forces and cause damage to the reducer housing, bearings or internal components.



### WARNING

To avoid serious injury the user must provide suitable safety guards for all rotating shafts and shaft components such as couplings, chain drives, belt drives, etc. All guarding must adhere to local regulations and safety standards.

## 4. Installing interference-fit hubs to the reducer shaft

Prior to installing any interference-fit hubs to the reducer shaft, consult with the manufacturer to determine proper assembly and fit. Interference-fits usually require heating the coupling, sprocket or gear hub, per the manufacturer's recommendations. Coupling hub installation typically follows ANSI/AGMA 9002-A86. Always make sure the reducer shaft seals are protected from the heat source. Apply uniform heat to the drive element hub to prevent distortion. NORD does not recommend heating the drive element hub beyond 212°F to 275°F (100°C to 135° C).



### WARNING

When using heat to mount a drive element hub, do not use open flame in a combustible atmosphere or near flammable materials. Use suitable protection to avoid burns or serious injury.



### IMPORTANT NOTE

When using external chain or belt drives, make sure the reducer is sized so that the shaft and bearings have adequate capacity. To avoid unnecessary bearing loads and additional shaft deflection, mount all power take-off devices (sprockets, pulleys, etc.) so that the applied load center is as close to the gear housing as possible and check component alignment and tension of any belts or chains per the manufacturer's recommendation. Do not over tighten the belts or chains.

## 5. Coupling installation

The performance and life of any coupling depends upon how well it is installed. Coupling hubs are typically mounted flush with the shaft ends, unless specifically ordered for overhung mounting. Shaft couplings should be installed according to the coupling manufacturer's recommendations for gap, angular and parallel alignment. To help obtain critical shaft alignment coupling hubs may be installed to the machine shafts prior to final shimming or tightening of the foundation bolts. Proper coupling alignment allows for thermal and mechanical shaft movement during operation and ensures that only torque (no radial load) is transmitted between the mating shafts.

### Coupling gap and angular alignment

The shaft gap must be sufficient to accommodate any anticipated thermal or mechanical axial movement. When setting the coupling gap, insert a spacer or shim stock equal to the required spacing or gap between the coupling hub faces. Measure the clearance using feeler gauges at 90-degree intervals, to verify the angular alignment.

### Parallel (or offset) alignment

Mount a dial indicator to one coupling hub, and rotate this hub, sweeping the outside diameter of the other hub. The parallel or offset misalignment is equal to one-half of the total indicator reading. Another method is to rest a straight edge squarely on the outside diameter of the hubs at 90° intervals and measure any gaps with feeler gauges. The maximum gap measurement is the parallel or offset misalignment.

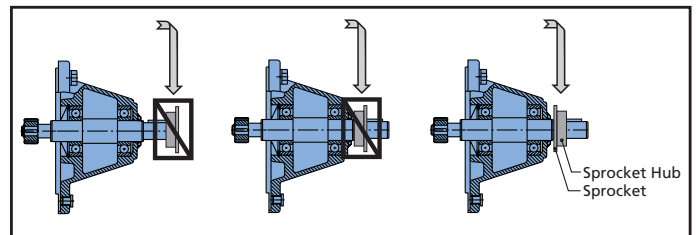
### Check alignment

After both angular and parallel alignments are within specified limits, tighten all foundation bolts securely and re-check critical alignment. If any of the specified limits for alignment are exceeded, realign the coupling.

## 6. Installing sheaves (pulleys), sprockets and gears

To avoid unnecessary bearing loads and additional shaft deflection, mount all power take-off devices (sprockets, pulleys, gears, etc.) so that the applied load center is as close to the gear housing as possible, as shown in **Figure 2**.

Figure 2: Pulley or Sprocket Mounting



Align the driver sheave or sprocket with the driven sheave or sprocket by placing a straight-edge length-wise across the face of the sheaves or sprockets. Alignment of bushed sheaves and sprockets should be checked only after bushings have been tightened. Check horizontal shaft alignment by placing one leg of a square or a level vertically against the face of the sheave or sprocket.

Always check component alignment and tension any belts or chains per the manufacturer's recommendation. The ideal belt or chain tension allows proper wrap of the driver and driven wheels, while maintaining the lowest possible tension of the belts or chain, so that no slipping occurs under load conditions. Check belt or chain tension frequently over the first 24 to 48 hours of operation.



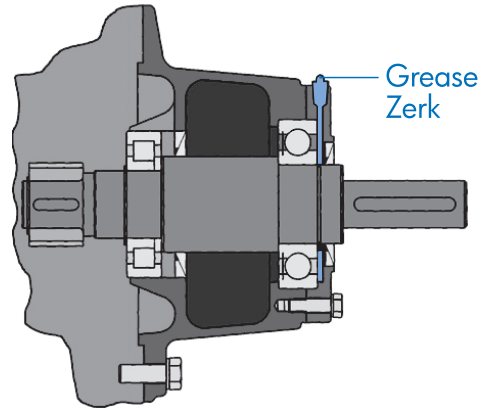
### IMPORTANT NOTE

When using external chain or belt drives, make sure the reducer is sized so that the shaft and bearings have adequate capacity. To avoid unnecessary bearing loads and additional shaft deflection, mount all power take-off devices (sprockets, pulleys, etc.) so that the applied load center is as close the gear housing as possible and check component alignment and tension of any belts or chains per the manufacturer's recommendation. Do not over tension the belts or chains.

## 7. Service Guidelines for W-Shaft Input with Grease Fitting

On some solid shaft input (Type W) gear units, the outer roller bearing needs to be re-greased at regular service intervals. This is necessary for double-stage gearboxes sizes SK62 or SK6282 and larger, and triple-stage gearboxes from size SK73, SK7382 or SK9072.1 and larger.

To lubricate the bearing of the input shaft, approximately 0.75 to 1.0 ounces (20-25 grams) grease should be added by the grease fitting approximately after every 2,500 hours of service or at least every 6 months. The W-shaft input is factory assembled with the proper amount and type of grease. The type of grease supplied depends upon the type of oil specified at time of order.



### Bearing Grease Options

Reducer Oil Type	NLGI Grade	Grease Thickener	Grease Base Oil	Ambient Temperature Range	Manufacturer Brand/Type
MIN-EP	NLGI 2	Li-Complex	MIN	-30 to 60°C (-22 to 140°F)	Mobil Grease XHP222
PAO	NLGI 2	Li-Complex	PAO	-40 to 80°C (-40 to 176°F)	Mobil / Mobilith SHC 220
FG or FG-PAO	NLGI 2	Polyurea	FG-PAO	-30 to 80°C (-22 to 176°F)	Mobil SHC Polyrex 222

### NOTICE

Grease compatibility depends upon the type of thickener or soap complex used, the base oil type suspended within the thickener, and the type of additives used. The user should check with the lubrication supplier before making substitutions in brand and type in order to assure compatibility and to avoid causing damage to the extended bearing.





# SOLID INPUT SHAFT (W)



DRIVESYSTEMS

RETAIN FOR FUTURE USE

U45300 - 4 of 5

## W-Type Input Parts List for UNICASE Gearboxes

SK 02 - SK 52  
SK 03 - SK 63

SK 0182NB - SK 6382

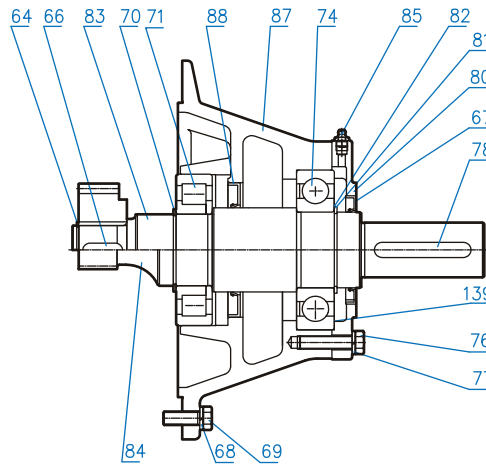
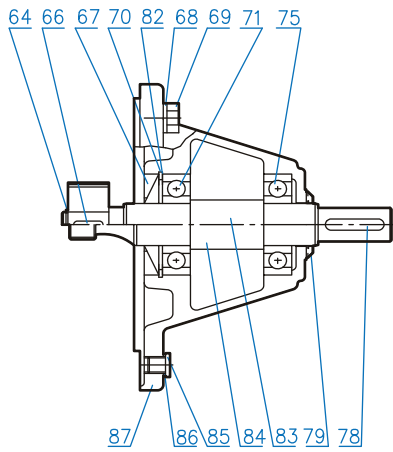
SK 02040 - SK 42125  
SK 13050 - SK 43125

SK 9012.1 - SK 9052.1  
SK 9013.1 - SK 9053.1

SK 62 - SK 72  
SK 73 - SK 93

SK 6282 - SK 7282  
SK 7382 - SK 9382

SK 9072.1



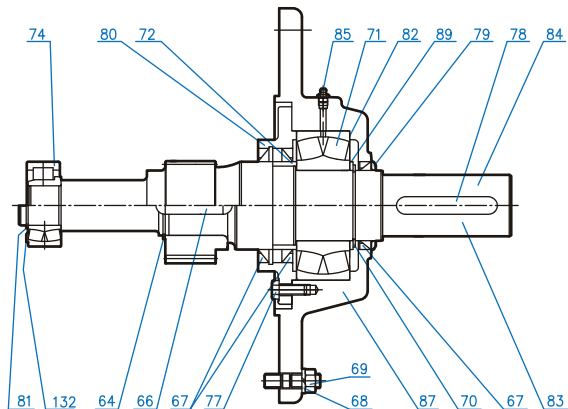
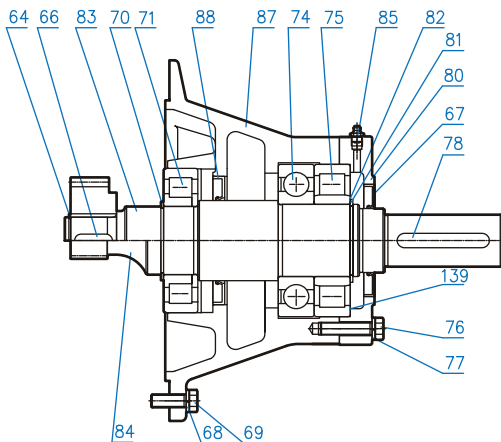
- 64 Circlip
- 66 Key
- 67 Shaft Seal
- 68 Washer
- 69 Hexagon Screw
- 70 Circlip
- 71 Input Shaft Bearing
- 74 Ball Bearing
- 75 Input Shaft Bearing
- 76 Washer
- 77 Hexagon Screw
- 78 Key
- 79 Oil Flinger
- 80 Bearing Cover
- 81 Circlip
- 82 Shim
- 83 Input Shaft, Plain
- 84 Input Shaft, Gearcut
- 85 Drain Plug
- 86 Seal
- 87 Input Bearing Housing
- 88 Shaft Seal (Oil Flinger)
- 139 Shim

SK 82 - SK 102  
SK 103

SK 8282 - SK 9282

SK 9082.1 - SK 9092.1

SK 10282 - SK 12382





# SOLID INPUT SHAFT (W)



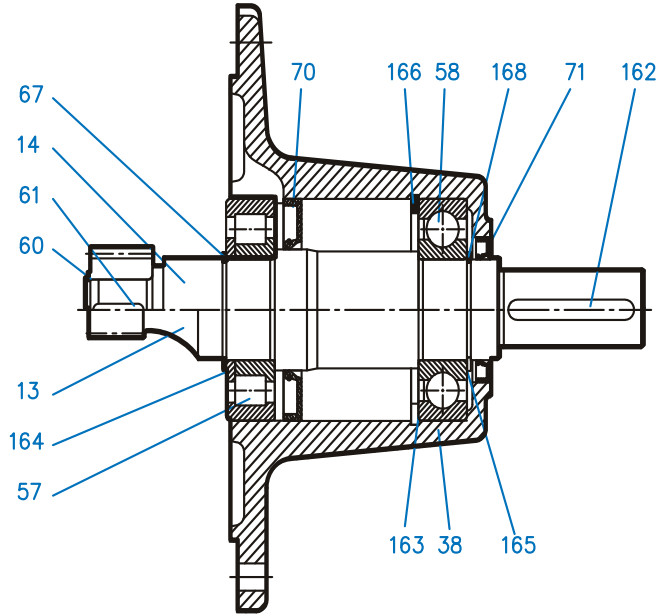
DRIVESYSTEMS

RETAIN FOR FUTURE USE

U45300 - 5 of 5

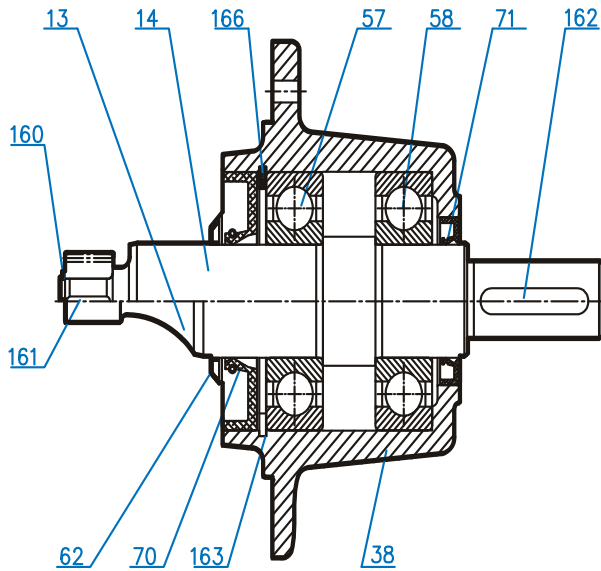
W-Type Inputs for Parts List for Nordbloc / 92 Bevel Gearboxes

SK172 - SK673  
SK92072 - SK92372



- 13 Pinion Shaft
- 14 InputShaft
- 38 IEC Adapter
- 57 Bearing
- 58 Bearing
- 62 Oil Flinger
- 70 Shaft Seal
- 71 Shaft Seal
- 160 Snap Ring
- 161 Key
- 162 Key
- 163 Shim
- 164 Snap Ring
- 165 Set Screw
- 166 Snap Ring
- 167 Snap Ring
- 168 Snap Ring

SK772 - SK973  
SK92672 - SK92772





# MOTOR MOUNT PLATFORM (MK)



DRIVESYSTEMS

RETAIN FOR FUTURE USE

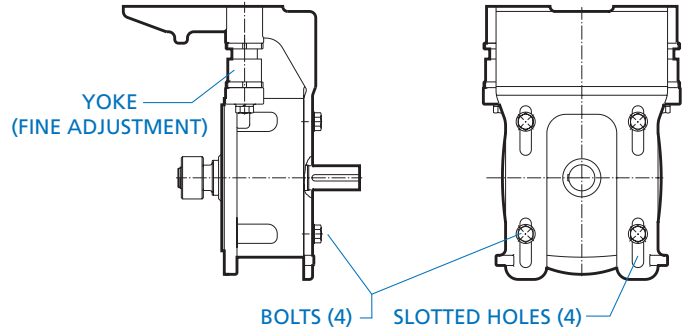
U45400 - 1 of 1

## Motor Mount Platform (MK)

For proper installation of the belt drive, consult the manufacturer. NORD MK motor mounts are adjustable in two ways. Slotted holes are provided at the input cylinder for the initial height adjustment. There are two fine adjustments at the yoke to increase/decrease tension. Two spanner head wrenches will be needed to tighten/loosen the fine adjustments. The four bolts holding the motor platform to the input cylinder must be loosened in order to use the fine adjustments.

The motor mounting platform has tapped holes to accept the foot pattern of the standard footed NEMA or IEC motor. All MK mounting input shaft diameters are metric.

Align the sheaves or sprockets square and parallel by placing a straight edge across their faces. Alignment of bushed sheaves and sprockets should be checked after bushings have been tightened. Check horizontal shaft alignment by placing a level vertically against the face of the sheave or sprocket. Adjust belt or chain tension per the manufacturer's specified procedure. After a period of operation, recheck alignment and adjust as required.



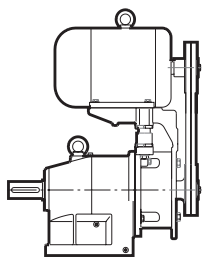
### CAUTION

NORD Gear does not furnish the safety guards for the belt drive. It is the responsibility of the customer to install a safety guard to conform to OSHA standards.

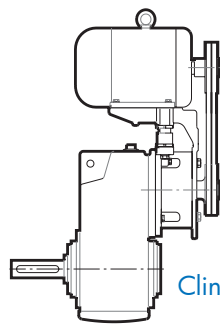


### IMPORTANT NOTE

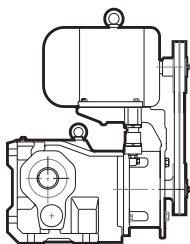
When using external chain or belt drives, make sure the reducer is sized so that the shaft and bearings have adequate capacity. To avoid unnecessary bearing loads and additional shaft deflection, mount all power take-off devices (sprockets, pulleys, etc.) so that the applied load center is as close to the gear housing as possible and check component alignment and tension of any belts or chains per the manufacturer's recommendation. Do not over tighten the belts or chains.



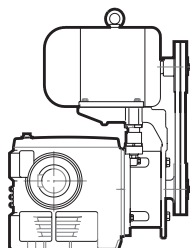
In-Line Unit



Clincher™ Unit



Bevel Unit



Worm Unit

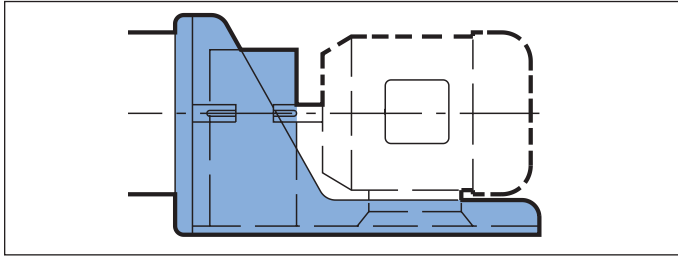
**NORD Gear Limited**

Toll Free in Canada: 800.668.4378

**NORD Gear Corporation**

Toll Free in the United States: 888.314.6673

## Sugar Scoop

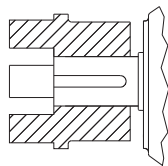


Each scoop bracket includes the coupling for the motor and the coupling guard.

- NORD's standard supplied coupling is the jaw-type coupling with elastomeric spider element.
- The reducer-side (driven) coupling hub is mounted by NORD.
- The motor-side (driver) coupling hub must be mounted by the party responsible for supplying or mounting the motor.
- The supplied coupling guard must be mounted after coupling installation.

### Coupling Mounting Instructions

1. Make sure that the motor shaft is clean and free of burrs or defects.
2. Check the motor shaft, coupling hub bores, key and key seat dimensions to make sure they are the proper dimensions.
3. Mount the coupling onto the motor by placing the coupling so that the inside face is flush with the end of the motor shaft and tightening the set screws to hold it in place (Figure 1).



**Figure 1.** Place coupling flush with end of motor shaft and tighten setscrew.



### IMPORTANT NOTE

Heating the coupling hub slightly, up to 176°F (80°C) will help facilitate installation onto the motor shaft.



### WARNING

Wear appropriate safety gloves to handle the heated coupling hubs to avoid serious burns or injury.

### NOTICE

DO NOT DRIVE or HAMMER coupling hubs into place. An end-wise blow to the reducer or motor shaft can generate damaging axial forces and cause damage to the reducer or motor housing, bearings, or internal components.

4. Let the coupling cool down before mounting the spider into the jaws. The spider should not be under axial compression when installed.
5. Place the motor onto the scoop and engage the couplings together. The scoop has slotted holes to help accommodate axial alignment. Secure the motor to the scoop bracket but do not completely tighten the fasteners.



### IMPORTANT NOTE

Before tightening the motor to the scoop bracket, the alignment of the coupling must be checked. Shimming of the motor feet may be needed to properly align the couplings. Careful coupling alignment extends the life of not only the coupling but all the components of the drive train.

6. Check the parallel alignment by placing a straight edge or level across the two coupling hubs, and measure the maximum offset at various points around the circumference of the coupling, without rotating the coupling. The maximum parallel alignment should not exceed 0.015 inches (4 mm).
7. Check the angular alignment of the coupling without rotating the hubs. The maximum angular displacement should not exceed 1.0°.
8. After both angular and parallel alignment is within specified limits, tighten all motor mounting hardware to the appropriate torque specification.
9. Re-check the critical alignment and repeat steps 6 and 7 if needed.
10. Mount the coupling guard to the scoop.



### CAUTION

It is the customer responsibility to properly guard the rotating shaft and coupling connection and make sure the system meets all local safety regulations.



### IMPORTANT NOTE

After a period of operation, it is suggested that the system be checked to make sure coupling alignment is being maintained.



## Items included in the touch-up kit

- I. No Rinse Alodine® Touch-N-Prep pen.
- II. Color matched sealer pen



### IMPORTANT NOTE

- Always wear Personal Protective Equipment (PPE), including gloves and safety glasses with side shields.
- When opening individual pens, pull safety caps straight out from pen. Do not twist or torque the cap to avoid damaging the applicator assembly.
- Do not use fingers to prime the applicator tip. Priming takes 15-30 seconds.
- Make sure the surface is clean and dry.



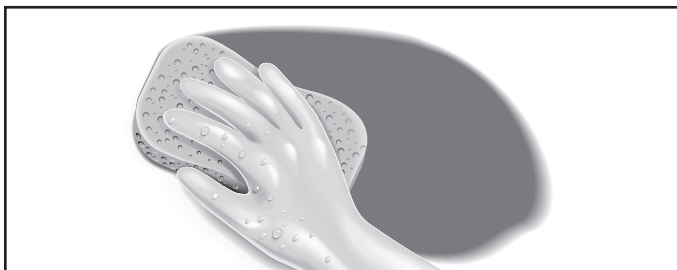
### IMPORTANT NOTE

- I. Metal temperature must be above 50° F
- II. Do not excessively use abrasive pad while removing surface oxidation. Oxidation only needs to be removed from areas with exposed aluminum.
- III. Use enough product to wet surface but avoid pooling.
- IV. Do not rinse or wipe Alodine coating before the product is allowed to dry.
- V. Allow to air dry or use a blow dryer. Do not use a heat gun. Maximum drying temperature is 140°F.
- VI. Dry color will appear opaque.

## Part I: Allodine® 871 Touch-N-Prep® Pen Instructions

Touch-N-Prep® pens are designed for easy and safe repair of clean, bare, or previously painted aluminum surfaces. It is a non-rinse, dry-in-place application that can be applied using the following steps:

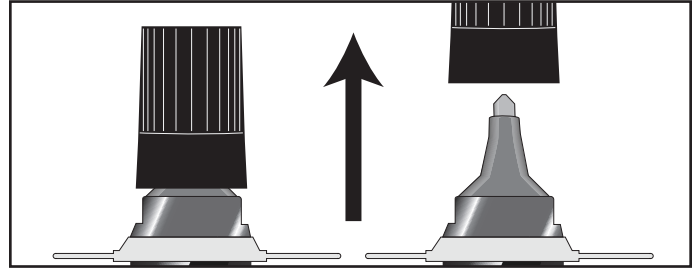
### 1. Surface Preparation



Before applying the coating, the treated surface must be cleaned using the following process:

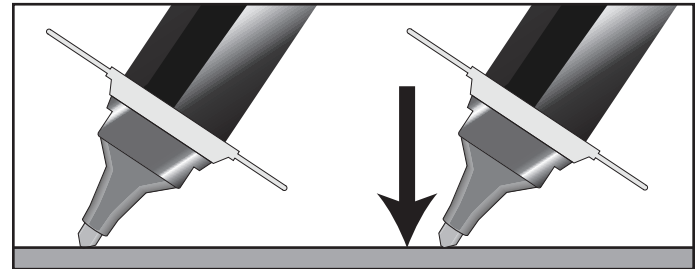
- If the scratch is more than 24 hours old use a moistened abrasive pad to remove oxides from the surface of the metal.
- Wipe substrate with a damp lint-free cloth to ensure complete removal of soils and dislodged oxides generated from the previous step.
- Allow Surface to dry before Touch-N-Prep® application.

### 2. Prime Applicator Tip

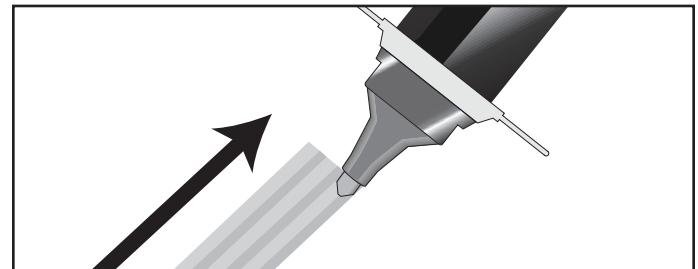


To activate, hold the Touch-N-Prep® pen upright and pop off the cap. Do not twist or turn to remove the cap, since this may result in the pen leaking. Hold the pen tip down onto a clean surface to begin the flow of solution to the tip.

### 3. Application

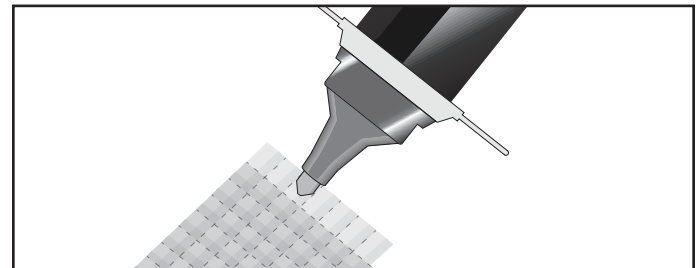


Press the pen tip down on the surface until solution fills the pen tip. Apply the Alodine® 871™ solution to the metal surface with firm, smooth, even strokes, covering all of the edges. Overlap each stroke and allow to dry.



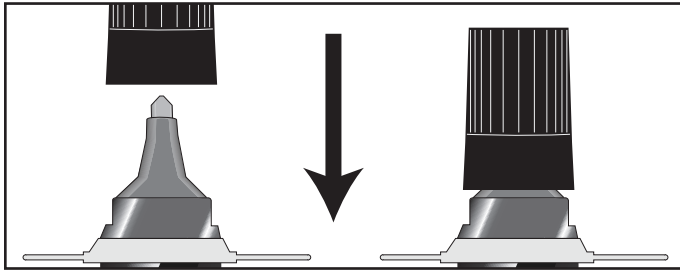
Frequent short jabs to re wet the application rip are preferred to maintain constant coating weights and avoid over-wetting the felt tip.

### 4. Re-Application



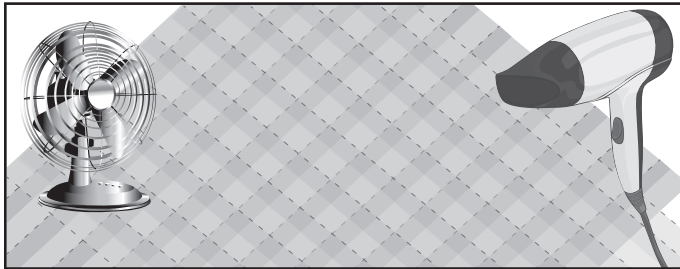
Within 5 minutes of the first coat, apply a second coat at a 90° angle to the first coat with the same smooth, firm stroke.

**5. Prepare the Pen for Storage**



Always immediately replace the cap when not in use to avoid evaporation and contamination.

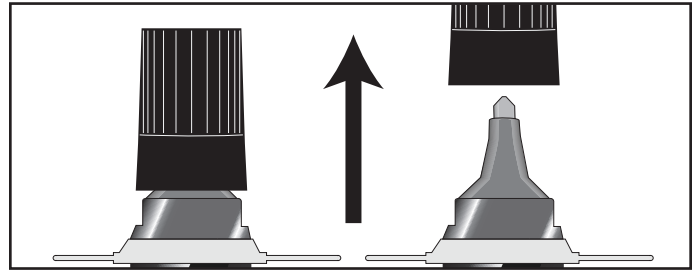
**6. Drying**



Allow the Alodine Touch-N-Prep® coating to air dry thoroughly.

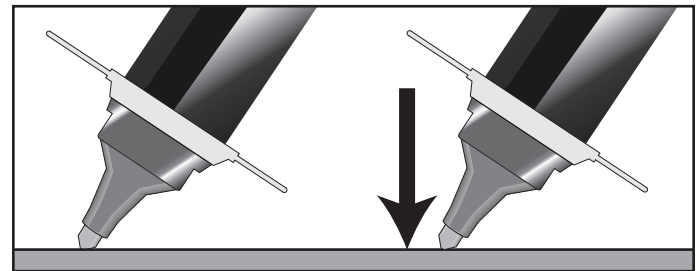
**Part II: Sealer Application**

**1. Prime Applicator Tip**



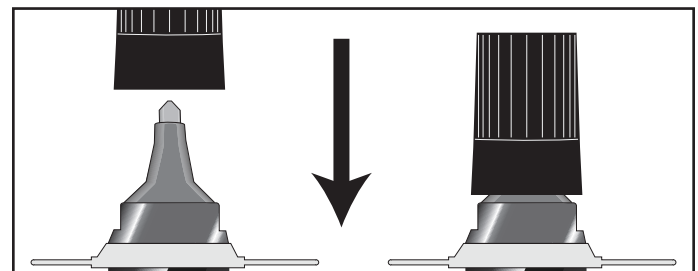
To activate, hold the pen upright and pop off the cap. Do not twist or turn to remove the cap, since this may result in the pen leaking. Hold the pen tip down onto a clean surface to begin the flow of solution to the tip.

**2. Application**



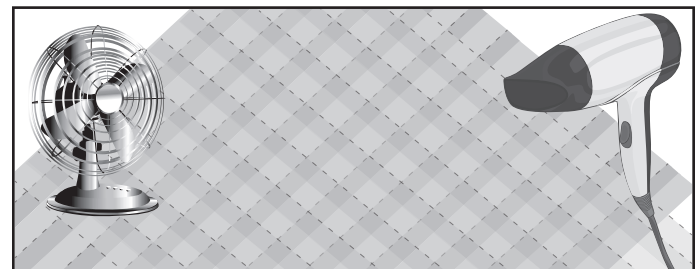
Press the pen tip down on the surface until solution fills the pen tip. Apply the sealer pen solution to the metal surface with firm, smooth, even strokes, covering all of the edges. Overlap each stroke and allow to dry.

**3. Prepare the Pen for Storage**



Always immediately replace the cap when not in use to avoid evaporation and contamination.

**4. Drying**



Allow the sealer pen coating to air dry thoroughly.





# NORD GEAR CORPORATION



DRIVESYSTEMS

CONDITIONS OF SALE

WWW.NORD.COM

## 1. CONTRACT

Any contract between Nord Gear Corporation, hereinafter designated as Seller, and the Buyer is subject to the terms and conditions of sale hereinafter set forth. Any deviation from such terms and conditions must be specifically set forth in writing and consented to by Seller. Accordingly, the Buyer and Seller acknowledge and agree that the terms and conditions set forth below and on the face hereof shall govern Buyer's purchase of the goods described on the face hereof and shall take precedence over and represents the final agreement between Buyer and Seller, notwithstanding any inconsistent, contradictory or other prior or further conditions contained in any oral or written request or purchase order issued by Buyer or any other document furnished by Buyer in connection with its purchase of the Goods, regardless of whether such document or documents are exchanged simultaneously with this Invoice or prior or subsequent thereto. Any additional or different terms or conditions which may appear in any communication, oral or written, from Seller, its officers, employees, agents or representatives, are hereby expressly rejected and shall not be effective or binding upon the Seller, unless specifically hereafter agreed to in writing by Seller and no such additional or different terms or conditions in any document submitted to Seller by Buyer shall become part of the contract between Buyer and Seller, unless such written acceptance by Seller specifically recognizes and assents to their inclusion. Any objection by Buyer to the terms and conditions hereof shall be ineffective unless Seller is advised in writing thereof within two (2) days of the date of this Invoice.

## 2. CONFIRMATION

An order shall be deemed accepted only when duly confirmed by Seller, at Nord Gear Corporation's home office in Waunakee, Wisconsin, and upon such confirmation the order shall become a contract binding upon the parties hereto, their successors and assigns.

## 3. PRICES

Prices shown are list prices and may be subject to applicable discounts. Unless otherwise agreed upon in writing, prices are FOB factory Waunakee, Wisconsin. Prices and discounts are subject to change without notice until order is accepted. Seller's prices do not include cost of any inspection permits required.

## 4. LIMITED WARRANTY

Seller hereby warrants that the goods sold hereunder shall be free from material defects in material and workmanship, if properly installed and used under normal operating conditions, for a period of twelve (12) months from the date of installation or eighteen (18) months from date of shipment, whichever comes first (the "Warranty Period"). With respect to gears and housings only, the Warranty Period is extended to thirty-six (36) months from the date of invoice or twenty-four (24) months from the date of installation, whichever comes first. The limited warranty shall not apply to any components or parts which are subject to normal operational wear and tear, including, but not limited to, belts and traction discs. Should any goods fail to comply with the foregoing limited warranty, Buyer shall provide written notice to Seller of the claimed defect and all relevant details within thirty (30) days of Buyer's discovery of the claimed defect. Buyer shall return the allegedly defective goods to Seller at its facilities in Waunakee, Wisconsin or to such other location within the USA as may be designated by Seller in its sole discretion, with all shipping and transportation charges prepaid by Buyer. Seller shall then examine the returned goods to determine if the claimed defect is covered by the limited warranty. If the claimed defect is covered by the limited warranty, Buyer's sole and exclusive remedy shall be to have Seller repair or replace, at Seller's option, the defective goods or components in accordance with the terms of this limited warranty. Seller shall have a commercially reasonable time to make such repairs or replacements and may use new or reconditioned components. Any repair or replacement shall not extend the Warranty Period unless otherwise agreed by Seller. Buyer shall pay all shipping costs and any costs of removal and re-installation of goods or components.

The foregoing limited warranty shall not apply with respect to any goods or components (i) which are not installed, used, operated, serviced or maintained in accordance with manufacturer's instructions or which are otherwise not properly installed, used, operated, serviced or maintained, or (ii) which are misused, neglected, damaged, altered, repaired, reconfigured or incorrectly wired. Seller makes no representations as to the specifications, capacity or performance of the goods sold hereunder, except as may be specifically set forth in the invoice's written specifications, and any such representations are expressly conditioned upon the accuracy and completeness of the data and information furnished by the buyer and upon the goods being properly installed, used, serviced and maintained by Buyer. Any description or model of the goods is for identification or illustrative purposes only and shall not be deemed to create any warranty, express or implied.

THE FOREGOING LIMITED WARRANTY SHALL EXTEND SOLELY TO BUYER AND NOT TO ANY OTHER PARTY. THE FOREGOING LIMITED WARRANTY IS IN LIEU OF ANY AND ALL OTHER WARRANTIES, WHETHER EXPRESS OR IMPLIED. SELLER HEREBY EXCLUDES AND DISCLAIMS ANY AND ALL OTHER WARRANTIES, WHETHER EXPRESS OR IMPLIED, INCLUDING, WITHOUT LIMITATION, ANY IMPLIED WARRANTIES OF MERCHANTABILITY OR FITNESS FOR A PARTICULAR PURPOSE. IF BUYER SHALL FAIL TO PAY WHEN DUE ANY PORTION OF THE PURCHASE PRICE OR ANY OTHER PAYMENT REQUIRED FROM BUYER TO SELLER UNDER THIS CONTRACT, ALL WARRANTIES AND REMEDIES SET FORTH HEREIN SHALL BE DEEMED NULL AND VOID, AB INITIO. THE PARTIES ACKNOWLEDGE AND AGREE THAT THE EXCLUSIVE REMEDY UNDER THE FOREGOING LIMITED WARRANTY SHALL NOT HAVE FAILED OF ITS ESSENTIAL PURPOSE (AS THAT TERM IS USED IN THE UNIFORM COMMERCIAL CODE) PROVIDED THAT SELLER REMAINS WILLING TO REPAIR OR REPLACE DEFECTIVE GOODS WITHIN A COMMERCIALLY REASONABLE TIME. BUYER SPECIFICALLY ACKNOWLEDGES AND AGREES THAT THE PRICE CHARGED BY SELLER FOR THE GOODS IS BASED UPON THE LIMITATIONS OF SELLER'S WARRANTY OBLIGATIONS AND OTHER LIABILITIES AS SET FORTH HEREIN.

LIMITATION OF LIABILITY. NOTWITHSTANDING ANY OTHER PROVISION HEREOF, IN NO EVENT SHALL SELLER BE LIABLE TO BUYER OR TO ANY OTHER PARTY FOR ANY INCIDENTAL, SPECIAL, INDIRECT OR CONSEQUENTIAL DAMAGES, LOST PROFITS, OR FOR ANY LOSSES, CLAIMS OR DAMAGES RELATING TO OR ARISING FROM THE USE OR OPERATION OF THE GOODS, AND IN NO EVENT SHALL ANY CLAIM OR RECOVERY OF ANY KIND EXCEED THE PURCHASE PRICE OF THE GOODS IDENTIFIED IN THE RELATED INVOICE.

## 5. SHORTAGE AND NONCONFORMITY

Any claim of shortage or that the goods do not conform with the specifications of the order or model must be made in writing within ten (10) days after delivery of the goods (as to which such claim is made) to Buyer or its nominees, but in no event shall the claim be later than within the time limit provided by the carrier or insurance company, otherwise such claim shall be deemed waived. Buyer may not return any goods claimed to be in non-conformity without Seller's prior written authorization. Goods returned without permission will not be accepted, including for credit, and will be returned to Buyer, F.O.B. Seller's plant. Any claim based on the receipt of damaged Goods must be filed with the carrier which delivered the goods. The samples, measurements, dimensions and weights contained in the Seller's catalogs, sales manuals, photographs and drawings constitute only an approximate guide. The Seller reserves the right to make any change which the Seller, in its absolute discretion, considers necessary. While the goods will be delivered principally according to specifications or standards or quantities agreed upon, insignificant deviations or insignificant changes in construction are permissible. The same applies to partial deliveries. In the event that Buyer has a verified claim of shortage or nonconformity of the goods to the specifications of the order or the model, and if such claim has been submitted within the required time limit as set forth above, the Seller shall, at its own expense, make up for the shortage of the goods, or replace or repair the goods, as the case may be, but in no event shall Seller be or become liable to Buyer or to any other person or persons for any loss in damage, direct or indirect, arising out of or caused by such incidents or for the loss of profits, business or good will. The liability of the Seller to Buyer, if any hereunder, for breach of warranty, contract, negligence or otherwise, shall in no event exceed the amount of the purchase price of the goods sold with respect to which any damages are claimed. Shipping dates are estimates unless parties expressly agree on time of the essence.

## 6. FORCE MAJEURE

The obligation of the Seller shall be modified or excused, as the case may be, for reasons of Acts of God, war, governmental law regulations, strikes or lock-outs, fire, breakdown of machinery, whether in its own business enterprise, or if for any other cause beyond Seller's control, the goods cannot be delivered or their delivery becomes delayed in whole or in part. In the above instances time for delivery shall be extended for the period of the delay caused, with the proviso, however, that either party may cancel in writing the undelivered portion of the order or contract if the delay exceeds six (6) months from the delivery date originally confirmed by Seller. In no event shall Seller become liable in the aforesaid instances to Buyer or any third party for consequential damages or business loss.

## 7. SHIPMENT AS UNIT

Each shipment by Seller shall be treated as a separate and distinct unit with respect, but only with respect to forwarding, terms of payment, and the making of claims by the Buyer: provided, however, that if the Buyer defaults in the payment of any obligation to Seller or any installments thereof, under any agreement between Buyer and Seller, or if Buyer refuses to accept any goods when tendered for delivery, the Seller may, on fifteen (15) days written notice to the Buyer, without prejudice to Seller's other lawful remedies, either defer further performance until the defaulted payments are made in full, or make future deliveries for cash in advance only, or treat the entire contract or contracts with Buyer as breached by the Buyer and pursue its remedies for breach.

## 8. BUYER'S REFUSAL OF DELIVERY

If Buyer refuses to accept delivery of any goods tendered for delivery, then Seller, without prejudice to Seller's other lawful remedies, may either store or cause such goods to be stored in a warehouse, for buyer's account and at Buyer's cost, risk and expense, or sell such goods (without notice) to any purchaser at public or private sale, and hold the Buyer liable for any difference between (a) the contract price of the goods, and (b) the price at which goods are resold less the costs and expense of such resale including brokerage commissions, or restocking charges.

## 9. GOODS IN TRANSIT

If prior to delivery or while the goods are in transit, Buyer or Seller becomes bankrupt or insolvent, or any petition in bankruptcy or for the reorganization or for a state court receivership is filed against Buyer or Seller, as the case may be, then the other party hereto may forthwith terminate this contract by giving written notice of such termination. Such termination shall not affect any claim for damages available to the Buyer, provided that if Buyer is then indebted to Seller, the amount of any such damage claim shall be abated to the extent that the indebtedness of Buyer to Seller, as actually paid in money, is abated by any order of judgement entered or any plan adopted in any bankruptcy, reorganization, receivership, or similar proceeding. Such termination shall not prejudice the Seller's rights to any amounts then due under the contract. If Buyer becomes bankrupt or insolvent or any petition in bankruptcy or for reorganization or if a state court receivership is filed against Buyer, then, at its option Seller may take possession of any goods theretofore sold to Buyer, in connection with which the full purchase price has not been paid, analogous to the terms and provisions set forth in Paragraphs 11 and 12 hereinafter.

## 10. DELIVERY

(a) Any indicated dates of delivery are approximate only, but NORD Gear will attempt to meet them whenever possible. (b) NORD Gear will not be liable for any penalty clauses contained in any specifications or order submitted unless agreed to in writing by an authorized officer of NORD Gear Corporation. (c) Unless otherwise agreed, delivery of the goods to any carrier shall constitute delivery to the Buyer, and thereafter the risk of loss or damage to the goods shall be upon the Buyer. (d) If the Buyer does not give delivery instructions to the Seller at least (10) days prior to the delivery date ex factory confirmed by the Seller, the Seller may deliver the goods to a carrier of its own choosing, at Buyer's cost and risk, or, at Seller's option, may store the goods on the pier or any warehouse, at Buyer's cost and risk. Any purchase price in such event becomes due and payable within ten (10) days of such storage.

## 11. PAYMENT OF PURCHASE PRICE

Time of payment is of the essence under the contract. Unless otherwise provided, terms of payment are 30 days net from the date of invoice with a 1% discount if paid within 10 days of date of invoice. Upon default in any of the terms of the contract, or failure to comply with any of the conditions thereof, or upon seizure of the property under execution or other legal process, or if the Buyer becomes bankrupt or insolvent, or any petition for reorganization or for a state court receivership is filed against Buyer, or if the Buyer makes any assignment for the benefit of its creditors or otherwise sells, encumbers or disposes of the goods, or if for any other reason the Seller should deem itself insecure, the full amount of the purchase price then remaining unpaid shall at once become due and payable at the option of the Seller.

## 12. BUYER'S DEFAULT

Upon the Buyer's default, the Seller may dispose of the merchandise in any manner that it deems fit and, if it desires to resell same, may do so at private or public sale, with or without notice, and with or without the property being at the place of sale, subject, however, to applicable laws. The Seller or its assigns shall have the right to bid at such sale and may become the purchaser of the property. The proceeds of the sale shall first be applied to the expenses incurred in retaking, repairing, storing and selling the goods, reasonable attorney's fees included, and then shall be applied to the payment of the balance due under the contract. Any surplus amount shall be paid to the Buyer. If a deficiency results after the resale, the Buyer agrees to pay such forthwith, together with reasonable attorney's fees, for the recovery of the goods incurred by the Seller. If upon the Buyer's default, the Seller elects not to resell any goods which it may repossess, then the cost of repossession, including reasonable attorney's fees, shall forthwith be due and payable from Buyer to Seller. Buyer agrees to pay all reasonable costs and reasonable attorney's fees incurred by Seller in enforcing Seller's rights against Buyer, including Seller's right to payment of the purchase price of the goods and Buyer's payment of all other amounts owing to Seller required under this Invoice and Conditions of Sale.

## 13. SECURITY INTEREST AND TITLE

In states and localities which are governed by the Uniform Commercial Code, this contract shall serve as security agreement, reserving in Seller a security interest until full payment of purchase price. The provisions of the Uniform Commercial Code regarding security interest shall have preference and apply if inconsistent with other terms of the conditions of sale. In states and localities where the Uniform Commercial Code does not apply, title to the goods shall remain in the Seller or its assigns until full payment of the purchase price. Buyer agrees to execute forthwith any and all documents in such a way and form as Seller may need for filing or recording the security interest under the Uniform Commercial Code with the proper registers or offices, or for filing or recording the conditional sales contract.

## 14. SALES AND USE TAX

Buyer agrees to bear and pay any sales or use tax in connection with the purchase herein, and to hold the Seller harmless from payment. At the option the Seller, Buyer shall give evidence of payment or of exemption certificate.

## 15. INSURANCE

The Buyer shall keep the goods insured against damage by fire, water or other casualty as required by Seller, with a company acceptable to Seller, with loss payable to Seller for the total purchase price until the Seller is fully paid. Seller, if it so elects, may place said insurance at Buyer's expense; Seller may cancel such insurance at any time and without notice and may receive the return premium, if any.

## 16. MODIFICATION BY SELLER

Any contract may be assigned or transferred by the Seller, or the time for the making of any payment due by Buyer may be extended by Seller without derogation of any of the rights of the Seller or its assigns. Waiver by any party of any default shall not be deemed a waiver of any subsequent default.

## 17. RETURNED GOODS

No goods will be accepted for return unless authorized in writing by Seller. In all cases, transportation and restocking charges will be borne by Buyer.

## 18. PACKING

The Buyer will be charged for export packaging or other special packing desired. Cost for cartage to ship or transfer express will be added to the invoice. No credit will be allowed if no packing is required.

## 19. CHANGES/CANCELLATION

NORD Gear will not accept changes in specifications to a confirmed order unless such changes are requested in writing and confirmed back in writing. In addition, the purchaser must agree to any additional charges that may arise from the change. Placing orders on hold or cancellation of orders require Seller's written approval, and are subject to cancellation and/or restocking charges.

## 20. BUYER'S RESPONSIBILITY AS TO MAINTENANCE

Buyer shall use and shall require its employees and agents to use all safety devices and guards and shall maintain the same in proper working order. Buyer shall use and require its employees and agents to use safe operation procedures in operating the equipment and shall further obey and have its employees and agents obey safety instructions given by Seller. If Buyer fails to meet the obligations herein, Buyer agrees to defend, indemnify and save Seller harmless from any liability or obligation with regard to any personal injuries or property damages directly or indirectly connected with the operation of the equipment. Buyer further agrees to notify Seller promptly and in any event not later than ten (10) days after notice or knowledge of any accident or malfunction involving Seller's equipment which has caused personal injury or property damages and to cooperate fully with Seller in investigating and determining the causes of such accident and malfunction. In the event that Buyer fails to give such notice to Seller or to cooperate with Seller, Buyer shall be obligated to defend, indemnify and save Seller harmless from any such claims arising from such accident.

## 21. MISCELLANEOUS PROVISIONS

(a) If for any reason a provision of a contract is legally invalid, then in such event the rest of the contract shall remain in full force and effect, except that the parties shall try to replace such invalid provision closest to their original mutual intentions. (b) This Invoice and these Conditions of Sale constitute the entire agreement between the parties regarding the subject matter hereof and supercedes all prior agreements, understandings and statements, whether oral or written, regarding such subject matter. No modification to, change in or departure from, the provisions of this Invoice and Conditions of Sale shall be valid or binding on Seller, unless approved in writing by Seller. No course of dealing or usage of trade shall be applicable unless expressly incorporated into this Invoice and Conditions of Sale. Any amendments to any contract or contracts between the parties shall be valid only upon the written consent of both parties.

## 22. NON ASSIGNMENT BY BUYER

Contract or contracts may not be assigned by the Buyer without prior written consent of the Seller.

## 23. APPLICABLE LAW AND VENUE

All contracts and their interpretation are governed by the applicable, substantive laws of the State of Wisconsin. Any litigation brought by the Buyer regarding this Invoice or goods purchased hereunder may only be brought in the Circuit Court for Dane County, Wisconsin.

**NORD Gear Corporation**

Toll Free in the United States: 888.314.6673

Nord Gear Company Terms 09/14



DRIVESYSTEMS

# NORD GEAR LIMITED

TERMS & CONDITIONS OF SALE



WWW.NORD.COM

## 1. CONTRACT

Any contract between Nord Gear Limited, hereinafter designated as "Seller", and the party or parties accepting these terms and conditions of sale and any agent, officer, servant, employee or subcontractor of such party or parties, hereinafter designated as "Buyer", is subject to the terms and conditions of sale hereinafter set forth. Any deviation from such terms and conditions must be specifically set forth in writing and consented to by Seller.

## 2. CONFIRMATION

An order shall be deemed accepted only when duly confirmed by Seller, at Nord Gear Limited's home office in Brampton, Ontario, and upon such confirmation the orders shall become a contract binding upon the parties hereto, their successors and assigns.

## 3. PRICES

Prices shown are list prices and may be subject to applicable discounts. Unless otherwise agreed upon in writing, prices are FOB Factory Brampton, Ontario. Prices and discounts are subject to change without notice until the order is accepted. Seller's prices do not include cost of any inspection permits required.

## 4. LIMITED WARRANTY

Seller warrants the goods sold hereunder to be free from defects in material and workmanship under normal use and service not arising from misuse, negligence, or accident, including but not limited to the use, installation, and transportation of the goods by Buyer, its agents, servants, employees, or by carriers. This warranty shall pertain to any part or parts of any goods to which Buyer or its assigns has within one year from date of delivery given written notice of claimed defects to Seller. Buyer shall be required to furnish Seller with details of such defects and this warranty shall be effective as to such goods which Seller's examination shall disclose to its satisfaction to have been defective and which at Seller's option shall promptly thereafter be returned to Seller or its nominees. EXCEPT FOR THE EXPRESS WARRANTIES SET FORTH ABOVE, SELLER HAS MADE NO WARRANTIES, EXPRESS, IMPLIED OR STATUTORY, AS TO THE GOODS SOLD HEREUNDER, INCLUDING, BUT NOT LIMITED TO THEIR MERCHANTABILITY OR FITNESS FOR ANY PARTICULAR PURPOSE. ANY DESCRIPTION OR MODEL OF THE GOODS IS FOR IDENTIFICATION OR ILLUSTRATIVE PURPOSES ONLY AND SHALL NOT BE DEEMED TO CREATE AN EXPRESS WARRANTY. The Buyer's exclusive remedy for claims arising from defective or nonconforming goods shall be limited to the repair or replacement thereof at the Seller's sole option. THE SELLER SHALL NOT BE RESPONSIBLE OR LIABLE FOR CONSEQUENTIAL DAMAGES ARISING OUT OF OR IN CONNECTION WITH THE SALE, DELIVERY, USE, PERFORMANCE, OR SERVICE OF THE GOODS SOLD UNDER THIS AGREEMENT. SELLER SHALL NOT BE LIABLE FOR ANY LOST PROFITS OR FOR ANY CLAIM OR DEMAND AGAINST SELLER BY ANY PARTY. IN NO EVENT WILL SELLER BE LIABLE FOR SPECIAL, INDIRECT OR CONSEQUENTIAL DAMAGES, EVEN IF SELLER HAS BEEN ADVISED OF THE POSSIBILITY OF SUCH DAMAGES. SELLER'S AGGREGATE LIABILITY FOR DAMAGES UNDER THIS AGREEMENT, WHETHER ARISING FROM OR BASED UPON BREACH OF WARRANTY, BREACH OF CONTRACT, TORT OR OTHER CAUSE OF ACTION, SHALL IN NO CASE EXCEED THE PURCHASE PRICE THAT BUYER PAYS FOR THE PARTICULAR GOODS INVOLVED. Seller shall in no event be liable to any person or firm (including any assignee or Buyer) except Buyer and its successors. Unless specifically authorized by Seller in writing, Seller shall not become responsible for any repair work done by Buyer or any other party on any goods sold. Any costs of the return of such goods to Seller shall be borne by Buyer. Goods sold but not manufactured by Seller are being warranted as to defects in material and workmanship consistent with the limited warranty policy of the original manufacturer of the goods and if there is not such a limited warranty policy, the warranty shall be limited to the provisions of Article 4 herein. Standards for the operating characteristics of the gearboxes and the gear motors are in conformity with Seller's tests. THIS WARRANTY IS IN LIEU OF ALL OTHER EXPRESS OR IMPLIED WARRANTIES, INCLUDING ANY IMPLIED WARRANTY OF MERCHANTABILITY OR FITNESS FOR ANY PARTICULAR PURPOSE SELLER DOES NOT ASSUME, NOR DOES IT AUTHORIZE ANY PERSON TO ASSUME, ON ITS BEHALF, ANY OTHER OBLIGATION OR LIABILITY.

## 5. SHORTAGE AND NONCONFORMITY

Any claim of shortage or that the goods do not conform with the specifications of the order or model must be made in writing within ten (10) days after delivery of the goods (as to which such claim is made) to Buyer or its nominees, but in no event shall the claim be later than within the time limit provided by the carrier or insurance company, otherwise such claim shall be deemed waived. The samples, measurements, dimensions and weights contained in Seller's catalogs, sales manuals, photographs and drawings constitute only an approximate guide. Seller reserves the right to make any changes which Seller, in its absolute discretion, considers necessary. While the goods will be delivered principally according to specifications of standards or quantities agreed upon, insignificant deviations or insignificant changes in construction are permissible. The same applies to partial deliveries. In the event that Buyer has a verified claim of shortage or nonconformity of the goods to the specifications of the order or the model, and if such claim has been submitted within the required time limit as set forth above, Seller shall, at its own expense, make up for the shortage of the goods, or replace or repair the goods, as the cause may be, but in no event shall Seller be or become liable to Buyer or to any other person or persons for any loss in damage, direct or indirect, arising out of or caused by such incidents or for the loss of profits, business of good will. Shipping dates are estimates unless parties expressly agree on time of the essence.

## 6. FORCE MAJEURE

The obligation of Seller shall be modified or excused, as the case may be, for reasons of Acts of God, war, governmental law regulations, strikes or lock-outs, fire, breakdown of machinery, whether in its own business enterprise, or if for any other cause beyond Seller's control, the goods cannot be delivered or their delivery becomes delayed in whole or in part. In the above instances time for delivery shall be extended for the period of the delay caused, with the proviso, however, that either party may cancel in writing the undelivered portion of the order of contract if the delay exceeds six (6) months from the delivery date originally confirmed by Seller. In no event shall Seller become liable in the aforesaid instances to Buyer or any third party for consequential damages or business loss.

## 7. SHIPMENT AS UNIT

Each shipment by Seller shall be treated as a separate and distinct unit with respect, but only with respect to forwarding, terms of payment, and the making of claims by Buyer; provided, however, that if Buyer defaults in the payment of any obligation to Seller or any installments thereof, under any agreement between Buyer and Seller, or if Buyer refuses to accept any goods when tendered for delivery, Seller may, on fifteen (15) days written notice to Buyer, without prejudice to Seller's other lawful remedies, either defer further performance until the defaulted payments are made in full, or make future deliveries for cash in advance only, or to treat the entire contract or contracts with Buyer as breached by Buyer and pursue its remedies for breach.

## 8. BUYER'S REFUSAL OF DELIVERY

If Buyer refuses to accept delivery of any goods tendered for delivery, then Seller, without prejudice to Seller's other lawful remedies, may either store or cause such goods to be stored in a warehouse, for Buyer's account and at Buyer's cost, risk and expense, or sell such goods (without notice) to any purchaser at public or private sale, and hold Buyer liable for any difference between (A) the contract price of the goods, and (B) the price at which goods are resold less the costs and expense of such resale including brokerage commissions, or restocking charges.

## 9. GOODS IN TRANSIT

If prior to delivery or while the goods are in transit, Buyer or Seller becomes bankrupt or insolvent, or any petition in bankruptcy or for the reorganization or for appointment of a receiver is filed against Buyer or Seller, as the case may be, then the other party hereto may forthwith terminate this contract by giving written notice of such termination. Such termination shall not affect any claim for damages available to Buyer, to Seller, as actually paid in money, is abated by any order of judgment entered or any plan adopted in any bankruptcy, reorganization, receivership, or similar proceeding. Such termination shall not prejudice Seller's rights to any amounts then due under the contract. If Buyer becomes bankrupt or insolvent or any petition in bankruptcy or for reorganization or if a state court receivership is filed against Buyer, then, at its option, Seller may take possession of any goods theretofore sold to Buyer, in connection with which the full purchase price has not been paid, analogous to the terms and provisions set forth in Paragraphs 11 and 12 hereinafter.

## 10. DELIVERY

(A) Unless otherwise agreed, delivery of the goods to any carrier shall constitute delivery to Buyer, and thereafter the risk of loss or damage to the goods shall be upon Buyer. (B) If Buyer does not give delivery instructions to Seller at least ten (10) days prior to the delivery date ex factory confirmed by Seller, Seller may deliver the goods to a carrier of its own choosing, at Buyer's cost and risk, or, at Seller's option may store the goods on the pier or on any warehouse at Buyer's cost and risk. Any purchase price in such event becomes due and payable within ten (10) days of such storage.

## 11. PAYMENT OF PURCHASE PRICE

Time of payment is of the essence under the contract. Upon default in any of the terms of the contract, or failure to comply with any of the conditions thereof, or upon seizure of the property under execution or other legal process, or if Buyer becomes bankrupt or insolvent, or any petitions for reorganization or for appointment of a receiver is filed against Buyer, or if Buyer makes any assignment for the benefit of its creditors or otherwise sells, encumbers or disposes of the goods, or if for any other reason Seller should deem itself insecure, the full amount of the purchase price then remaining unpaid shall at once become due and payable at the option of Seller. Interest on the delinquent payment from the due date thereof until paid shall be at a rate of two (2%) percent per month.

## 12. BUYER'S DEFAULT

Upon Buyer's default, Seller may dispose of the merchandise in any manner that it deems fit and, if it desires to resell same, may do so at private or public sale, with or without notice, and with or without the property being at the place of sale, subject, however, to applicable laws. Seller or its assigns shall have the right to bid at such sale and may become the purchaser of the property. The proceeds of the sale shall first be applied to the expenses incurred in retaking, repairing, storing and selling the goods; reasonable solicitor's fees included, and then shall be applied to the payment of the balance due under the contract. Any surplus amount shall be paid to Buyer. If a deficiency results after the sale, Buyer agrees to pay such forthwith, together with reasonable solicitor's fees, for the recovery of the goods incurred by Seller. If upon Buyer's default, Seller elects not to resell any goods which it may repossess, then the cost of repossession, including reasonable solicitor's fees, shall forthwith be due and payable from Buyer to Seller.

## 13. SECURITY INTEREST AND TITLE

In provinces which are governed by a Personal Property Security Act, this contract shall serve as a security agreement, reserving in Seller a security interest until full payment of the purchase price. The provisions of the Personal Property Security Act regarding security interest shall have preference and apply if inconsistent with other terms of the conditions of sale herein. In provinces where a Personal Property Security Act does not apply, title to the goods shall remain in the Seller or its assigns until full payment of the purchase price. Buyer agrees to execute forthwith any and all documents in such a way and form as Seller may need for filing or recording the security interest under a Personal Property Security Act with the proper registers or offices, or for filing or recording the Conditional Sales Contract herein.

## 14. SALES AND USE TAX

Seller's prices do not include sales, use, excise or other taxes payable to any governmental authority in respect of the sale of Seller's goods. Buyer shall pay, in addition to Seller's price, the amount of any such taxes or shall reimburse Seller for the amount thereof that Seller may be required to pay. At the option of Seller, Buyer shall give evidence of payment or of exemption certificate.

## 15. INSURANCE

Buyer shall keep the goods insured against damage by fire, water or other casualty as required by Seller, with a company acceptable to Seller, with loss payable to Seller for the total purchase price until Seller is fully paid. Seller, if it so elects, may place said insurance at Buyer's expense; Seller may cancel such insurance at any time and without notice and may receive the return premium, if any.

## 16. MODIFICATION BY SELLER

Any contract may be assigned or transferred by Seller, or the time for the making of any payment due by Buyer may be extended by Seller without derogation of any of the rights of Seller or its assigns. Waiver by any party of any default shall not be deemed a waiver of any subsequent default.

## 17. RETURNED GOODS

No goods will be accepted for return unless authorized in writing by Seller. In all cases, transportation and restocking charges will be borne by Buyer.

## 18. PACKING

Seller does not charge for standard packaging for domestic shipment. Buyer will be charged, however, for export packaging or other special packing desired. Cost for cartage to ship or transfer express will be added to the invoice. No credit will be allowed if no packing is required.

## 19. EXPORT ORDER

Export orders are to be accompanied by a confirmed irrevocable Letter of Credit in Seller's favor, in Canadian currency, with an accredited Canadian bank, subject to Seller's draft, with shipping documents attached.

## 20. CANCELLATION

Placing orders on hold or cancellation of orders require Seller's written approval, and are subject to cancellation and/or restocking charges.

## 21. BUYER'S RESPONSIBILITY AS TO MAINTENANCE

Buyer shall use and shall require its employees and agents to use all safety devices and guards and shall maintain the same in proper working order. Buyer shall use and require its employees and agents to use safe operating procedures in operating the equipment and shall further obey and have its employees and agents obey safety instructions given by Seller. If Buyer fails to meet the obligations herein, Buyer agrees to indemnify and save Seller harmless from any liability or obligation with regard to any personal injuries or property damages directly or indirectly connected with the operation of the equipment. Buyer further agrees to notify Seller promptly and in any event not later than ten (10) days after notice or knowledge of any accident or malfunction involving Seller's equipment which has caused personal injury or property damages and to cooperate fully with Seller in investigating and determining the causes of such accident and malfunction. In the event that Buyer fails to give such notice to Seller or to cooperate with Seller, Buyer shall be obligated to indemnify and save Seller harmless from any such claims arising from such accident.

## 22. MISCELLANEOUS PROVISIONS

(A) If for any reason a provision of a contract is legally invalid, then in such event the rest of the contract shall remain in full force and effect, except that the parties shall try to replace such invalid provision with a provision closest to their original mutual intentions. (B) Any amendments to any contract or contracts require the consent in writing by both parties. Headings in this document are for ease of reference only.

## 23. NON ASSIGNMENT BY BUYER

Contract or contracts may not be assigned by Buyer without prior written consent of Seller.

## 24. APPLICABLE LAW

This agreement shall be governed by the laws of the Province of Ontario and the applicable laws of Canada. Buyer and Seller agree that any judicial proceeding with respect to this agreement must be brought and maintained in the City of Toronto, in the Province of Ontario.

## 25.

This instrument sets forth the entire understanding and agreement of the parties hereto in respect of the subject matter hereof, and all prior undertakings between the parties hereto, together with all representations and obligations of such parties in respect of such subject matter, shall be superseded by and merged into this instrument.

## 26.

The provisions of this agreement shall bind and ensure to the benefit of the parties hereto and their respective heirs, executors, administrators, successors and (subject to any restrictions or assignment herein above set forth) assigns, as the case may be.

## 27.

The parties acknowledge that they have requested this document and all notices or other documents relating thereto be drafted in the English language.

Les parties reconnaissent qu'elles ont requis que ce contrat et tous les avis ou autres documents qui s'y rapportent soient rédigés en langue anglaise.

\*Terms and Conditions in French available upon request.\*

**NORD Gear Limited**

Toll Free in Canada: 800.668.4378

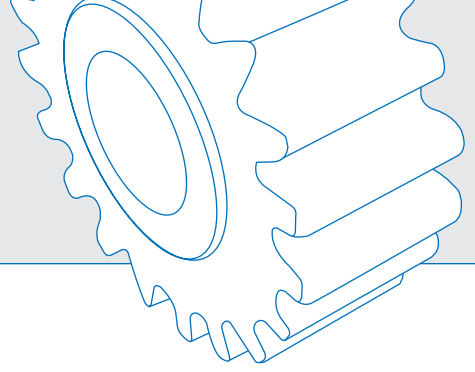
09.29.14

**NORD Gear Corporation**

Toll Free in the United States: 888.314.6673

www.nord.com/docs

# Product Overview



## UNICASE™ SPEED REDUCERS



### HELICAL IN-LINE

- Foot or Flange Mount
- Torque up to 205,000 lb-in
- Gear ratios – 1.82:1 to over 300,000:1



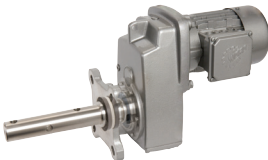
### NORDBLOC®.1 HELICAL IN-LINE

- Foot or Flange Mount
- Torque up to 26,550 lb-in
- Gear ratios – 1.88:1 to over 370:1



### PARALLEL HELICAL CLINCHER™

- Shaft, Flange or Foot Mount
- Torque up to 797,000 lb-in
- Gear ratios – 4.26:1 to over 300,000:1



### SCP SCREW CONVEYOR PACKAGE

- Shaft, or Flange Mount
- Torque up to 53,100 lb-in
- Gear ratios – 4.32:1 to over 1500:1



### RIGHT ANGLE HELICAL-BEVEL 2-STAGE

- Foot, Flange or Shaft Mount
- Torque up to 5,840 lb-in
- Gear ratios – 4.1:1 to 70:1



### RIGHT ANGLE HELICAL-BEVEL

- Foot, Flange or Shaft Mount
- Torque up to 283,000 lb-in
- Gear ratios – 8.04:1 to over 300,000:1



### RIGHT ANGLE HELICAL-WORM

- Foot, Flange or Shaft Mount
- Torque up to 27,585 lb-in
- Gear ratios – 4.40:1 to over 300,000:1

## HIGH PERFORMANCE MOTORS & BRAKEMOTORS



### INVERTER/VECTOR DUTY

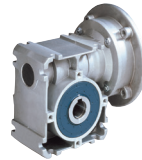
- Standard or Energy Efficient
- Integral, NEMA or Metric IEC
- 1/6 to 250 hp

## UNICASE™ SPEED REDUCERS



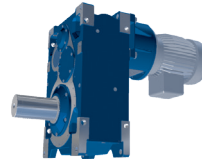
### MINICASE™ RIGHT ANGLE WORM

- Foot, Flange or Shaft Mount
- Torque up to 3,540 lb-in
- Gear ratios – 5:1 to 500:1



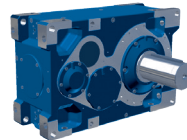
### FLEXBLOC™ WORM

- Modular bolt-on options
- Torque up to 4,683 lb-in
- Gear ratios – 5:1 to 3,000:1



### MAXXDRIVE™ LARGE INDUSTRIAL GEAR UNITS PARALLEL HELICAL

- Modular bolt-on options
- Torque up to 2,027,000 lb-in
- Gear ratios – 5:1 to 1,600:1



### MAXXDRIVE™ LARGE INDUSTRIAL GEAR UNITS HELICAL-BEVEL

- Modular bolt-on options
- Torque up to 2,027,000 lb-in
- Gear ratios – 5:1 to 1,600:1

## NORDAC AC VECTOR DRIVES



### SK180E FAMILY

- Distributed, simple speed control
- 380-480V, 3-phase to 3.0 hp
- 200-240V, 3-phase to 1.5 hp
- 200-240V, 1-phase to 1.5 hp
- 100-120V, 1-phase to 0.75 hp



### SK200E FAMILY

- Distributed, high performance
- 380-480V, 3-phase to 30 hp
- 200-240V, 3-phase to 15 hp
- 200-240V, 1-phase to 1.5 hp
- 100-120V, 1-phase to 1 hp



### SK500E FAMILY

- Compact, cabinet mount, high performance
- 380-480V, 3-phase, to 125 hp
- 200-240V, 3-phase, to 25 hp
- 200-240V, 1-phase, to 3 hp
- 100-120V, 1-phase, to 1.5 hp



# For Increased Satisfaction

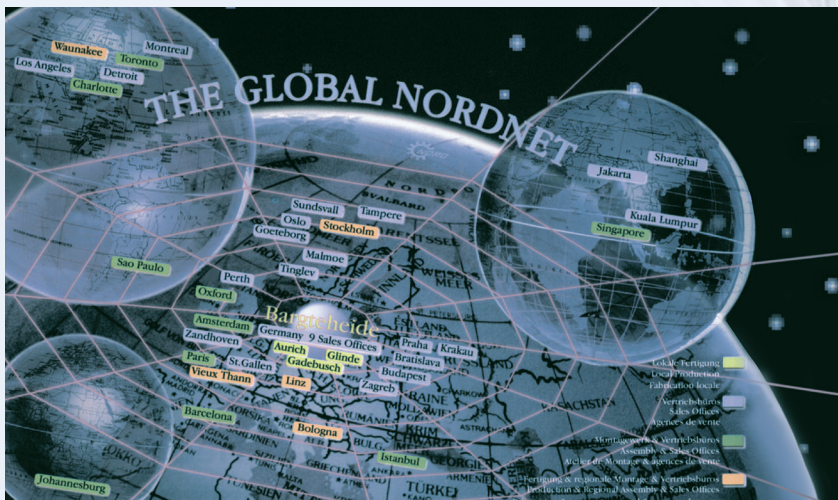
## NORD 911

Trouble? Just call **715-NORD-911** (in Canada, 905-796-3606). Emergency service is available 24 hours a day, 7 days a week. We'll answer your call, ship the parts, or build a unit and have it shipped directly to you to provide what you need, when you need it.



## Global Availability

From Shanghai to Charlotte, and all points between, NORD reaches customers around the world. Deliveries, service, and product support are close at hand, regardless of your location.



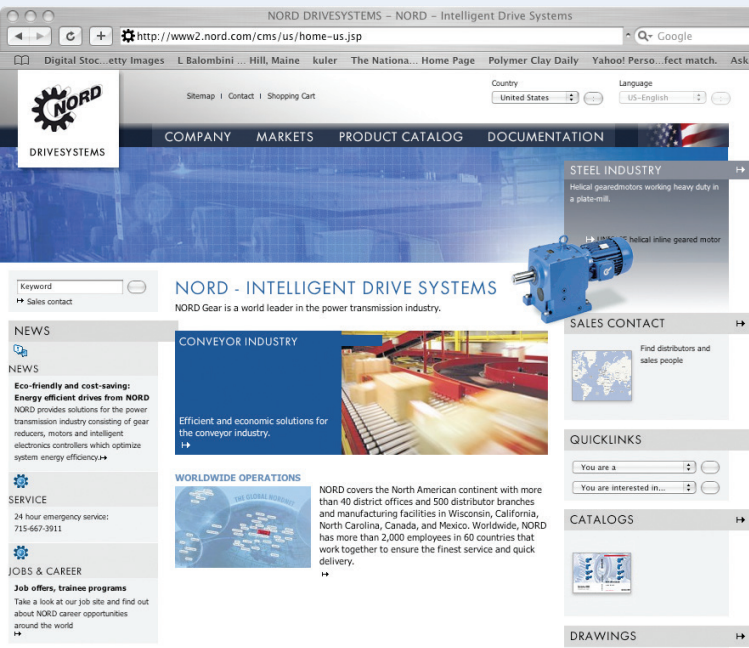
## Online Tools

NORD offers comprehensive, searchable product information online. The Internet makes it possible for our customers to reach us anytime, anywhere — 365 days a year, 24 hours a day.

- Online order tracking
- Parts list and maintenance schedules
- Online drive selection software
- DXF scale drawing

## Worldwide Standards

NORD products are designed and manufactured based on the latest North American and global standards.



## **NORD DRIVESYSTEMS Group**

### **Headquarters and Technology center**

in Bargteheide, close to Hamburg

### **Innovative drive solutions**

for more than 100 branches of industry

### **Mechanical products**

parallel shaft, helical gear, bevel gear and worm gear units

### **Electrical products**

IE1/IE3/IE4 motors

### **Electronic products**

centralized and decentralized frequency inverters,  
motor starters and field distribution systems

### **7 state-of-the-art production plants**

for all drive components

### **Subsidiaries and sales partners**

#### **in 98 countries on 5 continents**

provide local inventory, assembly, technical support  
and industry-leading customer service

### **More than 4,000 employees throughout the world**

create customer-oriented drive solutions

**[www.nord.com/locator](http://www.nord.com/locator)**

©2019 NORD Gear Corporation. All Rights Reserved.  
NORD DRIVESYSTEMS, NORDBLOC and FLEXBLOC  
are registered trademarks of NORD Gear Corporation  
Gripmaxx, Clincher and Minicase are trademarks of NORD Gear Corporation



**DRIVESYSTEMS**

**[www.nord.com](http://www.nord.com)**

## **NORD Gear Corporation**

National Customer Service Toll-Free: 888.314.6673  
[info.us@nord.com](mailto:info.us@nord.com)

## **NORD Gear Limited**

Toll-Free in Canada: 800.668.4378  
[info.ca@nord.com](mailto:info.ca@nord.com)

### **WEST**

Corona, CA (Los Angeles)  
Phone: 951.393.6565

### **MIDWEST**

Waunakee, WI (Madison)  
Phone: 608.849.7300

### **EAST**

Charlotte, NC  
Phone: 980.215.7575

### **CANADA**

Brampton, ON (Toronto)  
Phone: 905.796.3606