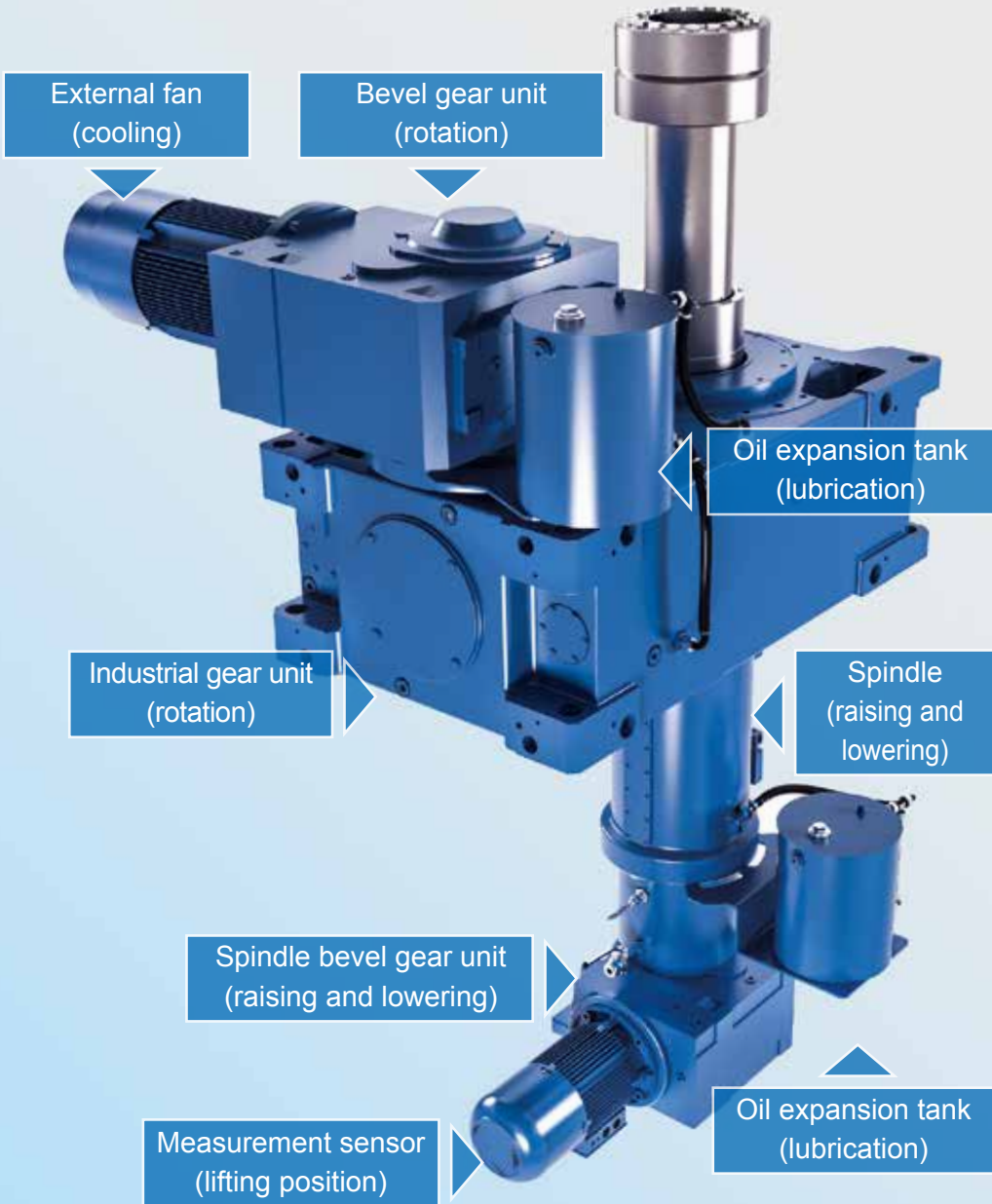


DRIVE SOLUTIONS FOR LAUTER TUNS



Now also
for micro-
breweries
above 2 m³

The NORD DRIVESYSTEMS drive package for the entire lauter process



COMPLETE DRIVE UNITS

A single drive system for the lauter process, both for removing grain residues as well as for emptying the tun.

With a combination of a geared motor and an industrial gear unit, torques of up to 282,000 Nm can be achieved for lauter tuns of up to 30 m³.

A second geared motor provides the drive for the lifting equipment which can lift even the heaviest racking machines.

PERFORMANCE DATA

All necessary output speeds can be implemented.

COMBINED OIL TANK

Both gear units are equipped with oil expansion tanks to ensure lubrication at all times. A special sealing system on the output shaft ensures that there is always an adequate lubricating film on the lifting shaft.

DRIVE SOLUTIONS FOR LAUTER TUNS



STANDARDISED SOLUTION

To achieve excellent reliability and competitive prices, standardised components were largely used to meet the requirements of this application. Customised modifications from the extensive NORD modular system are possible.

FREQUENCY INVERTERS

Even under full load, the lifting equipment functions with millimetre precision. Limit switches and optical sensors can be installed for precise positioning. The height can be adjusted when at a standstill, when idling, or under full load.

FLEXIBLE

The unit was designed using standard drive packages, and equipped with an additional lifting spindle developed by NORD DRIVESYSTEMS. The entire range of NORD options can be used for special tasks.

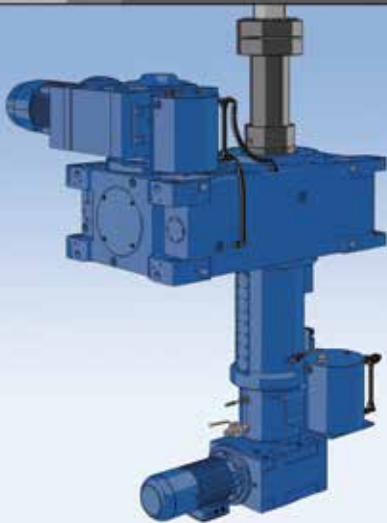
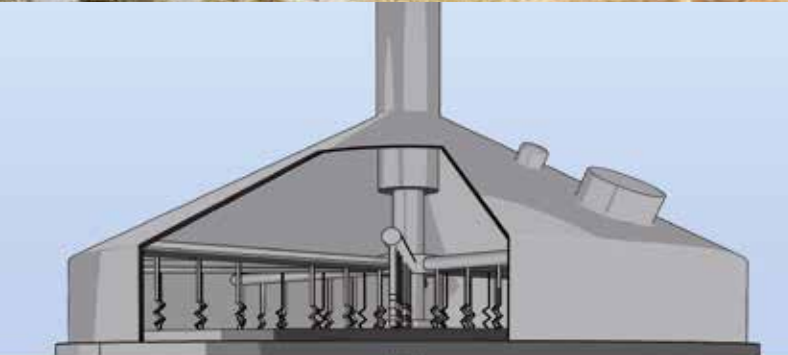
INDIVIDUALLY TESTED

Extensive tests according to customers' load and movement cycles are performed for every application to ensure optimum performance and excellent process results.

SCALABLE TO REQUIREMENTS

Lauter tuns with normal sizes, up to the very largest versions have been tested, delivered and used successfully.

POWER AND PRECISION TO ENSURE CONSTANT PRODUCT QUALITY



Contact your local NORD partner or the Food & Beverage Sector Management.

NORD DRIVESYSTEMS Group

- Family business from Bargteheide near Hamburg with 4,000 employees
- Drive solutions for more than 100 branches of industry
- 7 production locations worldwide
- Present in 98 countries on 5 continents
- More information: www.nord.com

Headquarters:

Getriebebau NORD GmbH & Co. KG
Getriebebau-Nord-Str. 1
22941 Bargteheide, Germany
T +49 4532 2890, F +49 4532 289 2253
info@nord.com

Member of the NORD DRIVESYSTEMS Group